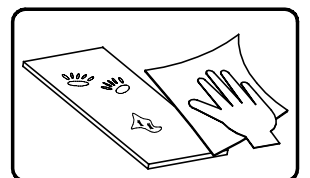
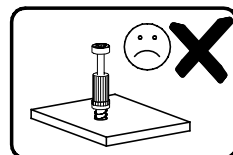
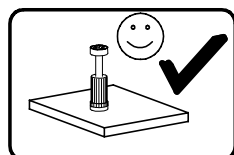
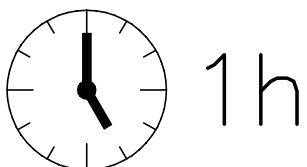
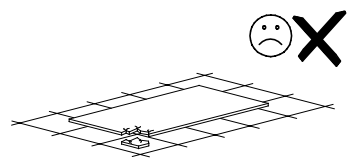
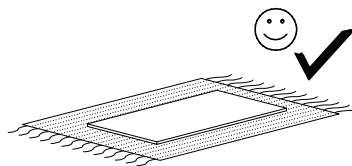
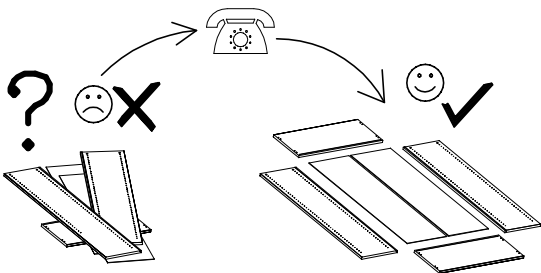
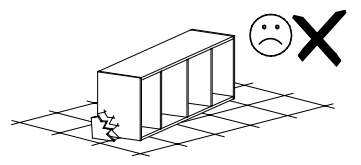
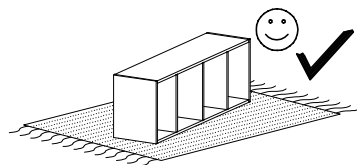
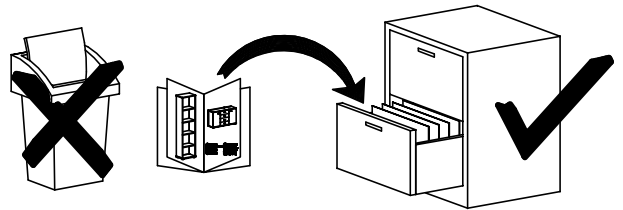
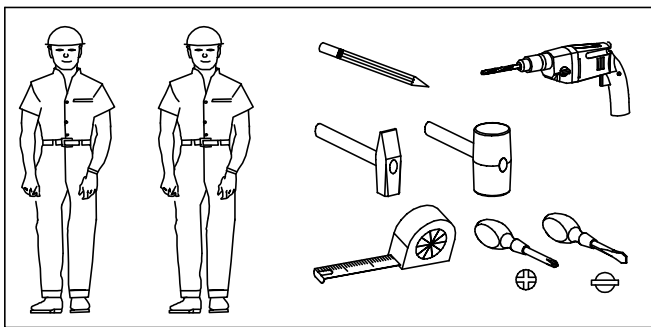
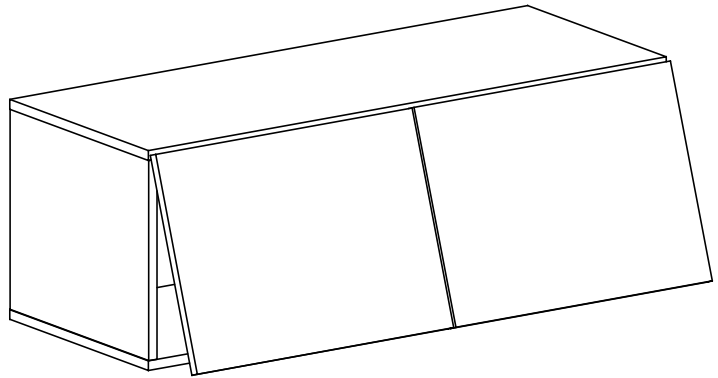
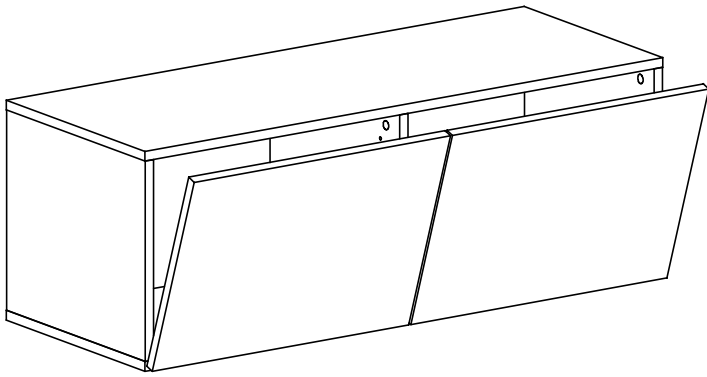
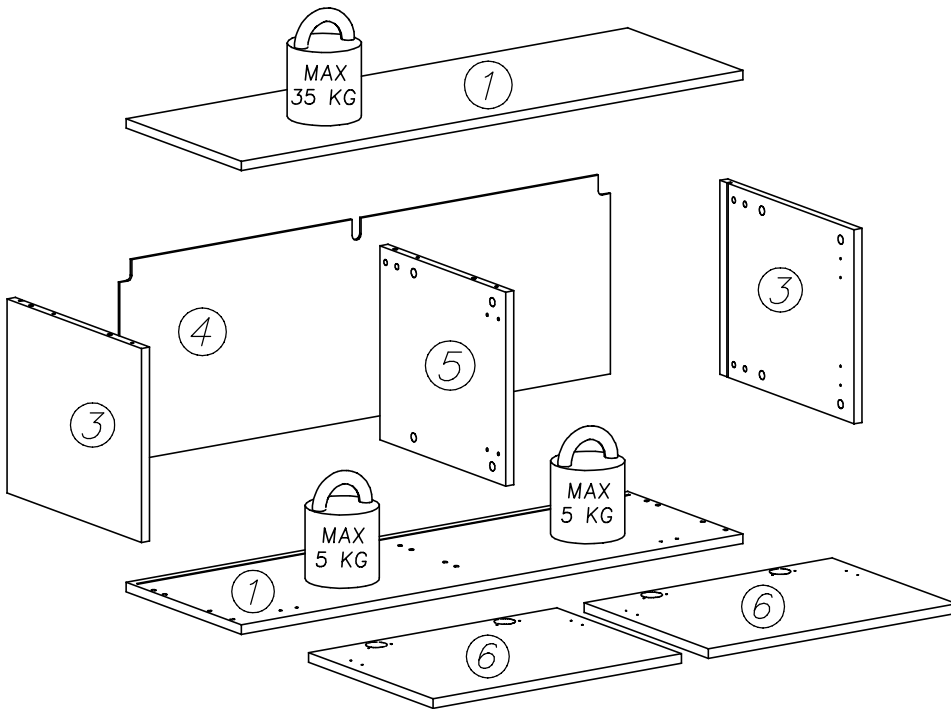
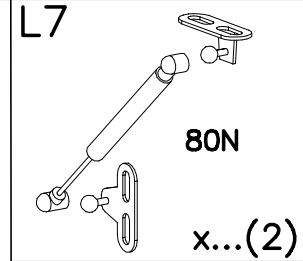
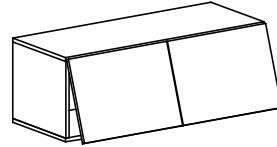
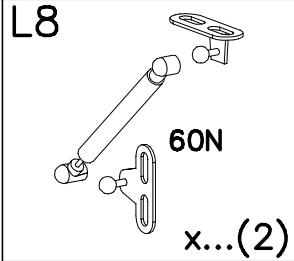
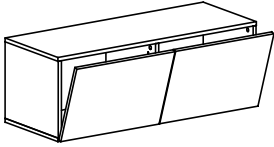
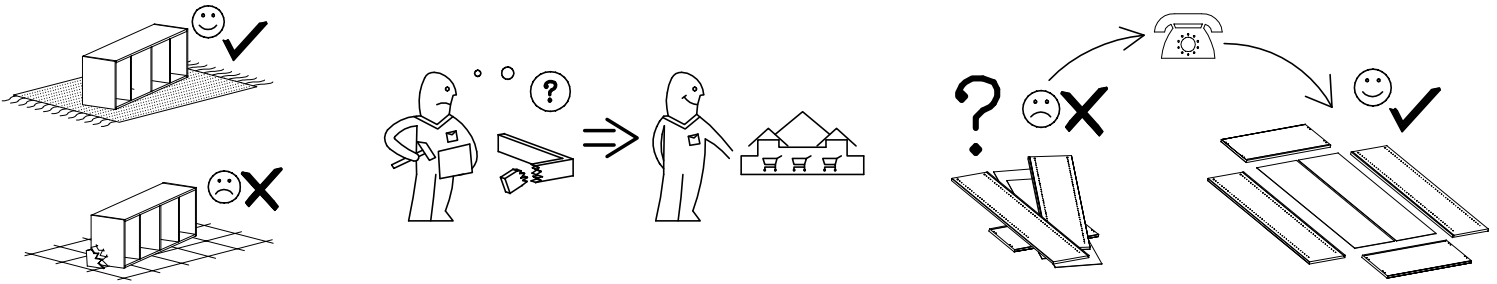
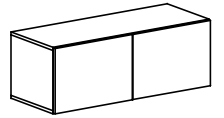


RTV 08 – 1000

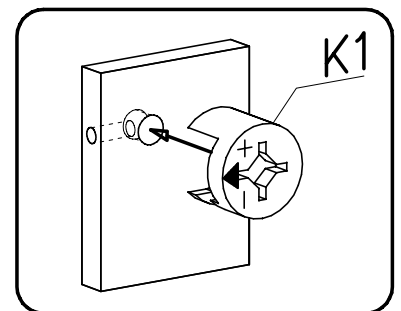
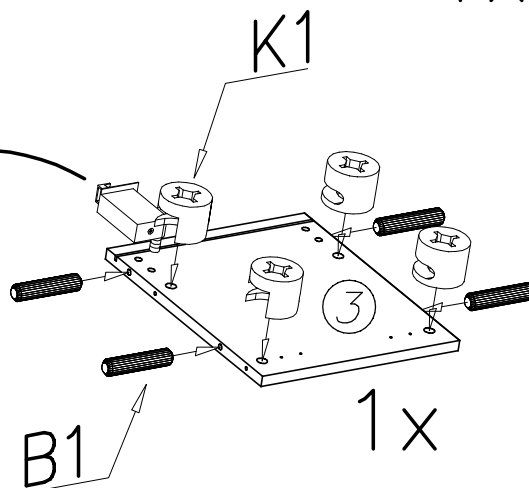
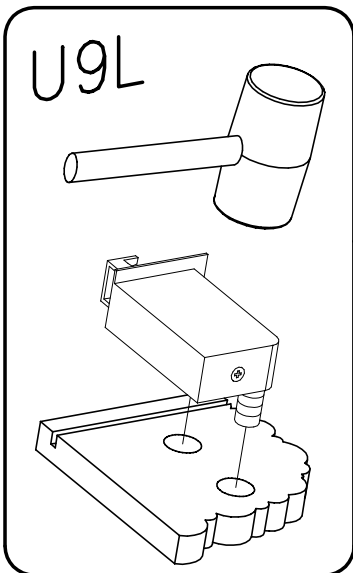
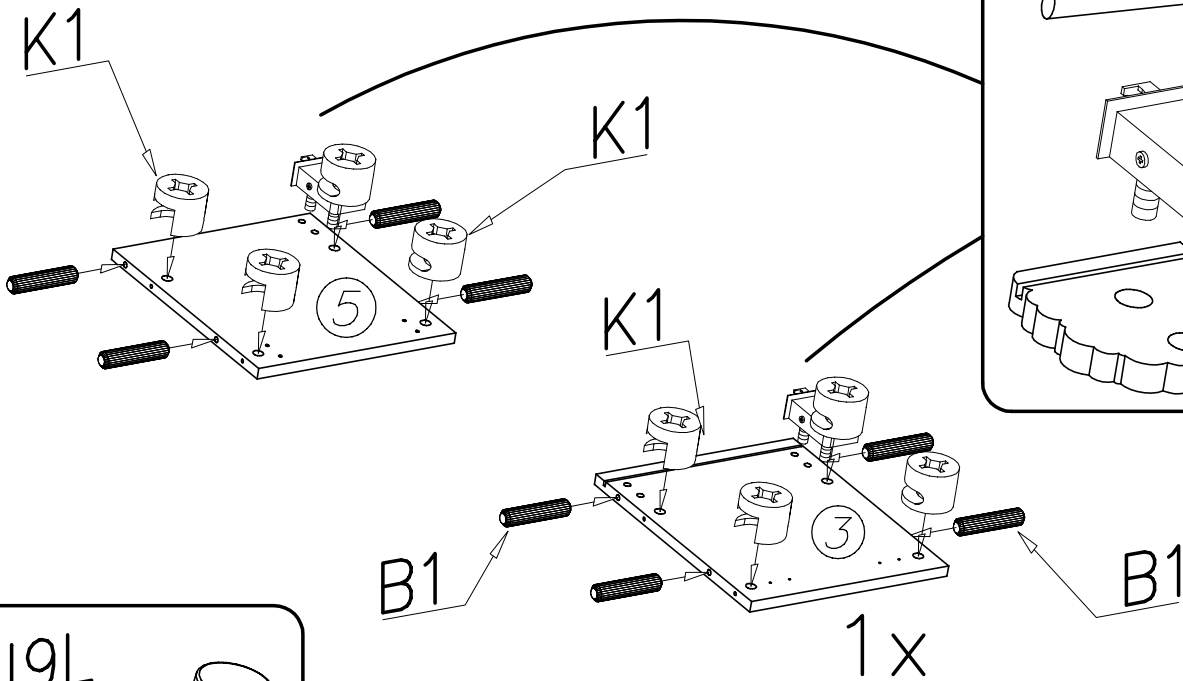
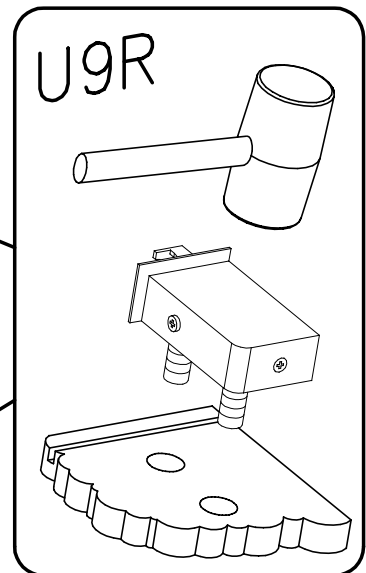
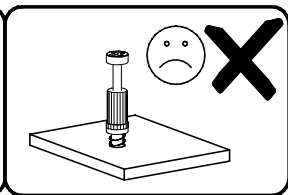
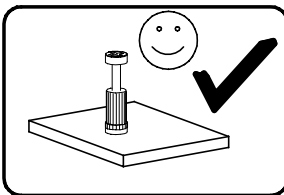
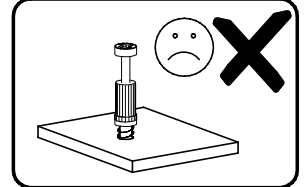
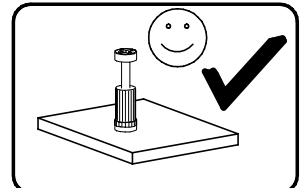
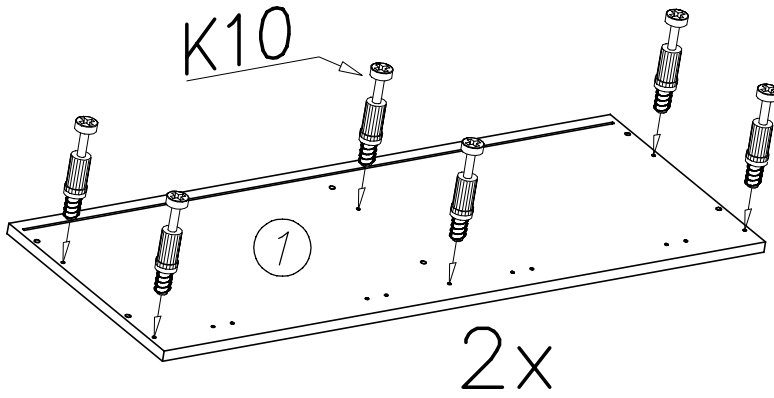


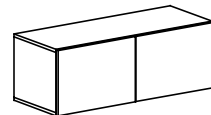


N7 M4x15 x...(2)	G32 3,5x16 x...(16)	I4 ø5 x...(4)	I10 ø10 x...(4)	L11 x...(2)
U9L x...(1)	U9R x...(2)	U10L x...(1)	U10R x...(2)	U7 x...(3)
K1 ø15x12 x...(12)	I7 x...(12)	I1 x...(6)	G46 6x8 x...(4)	U8 ø10x60 x...(3)
K10 x...(12)	B1 ø8x35 x...(12)	C3 Z35PR x...(4)	D3 PZ35PR x...(4)	G34 3,5x16 x...(11)

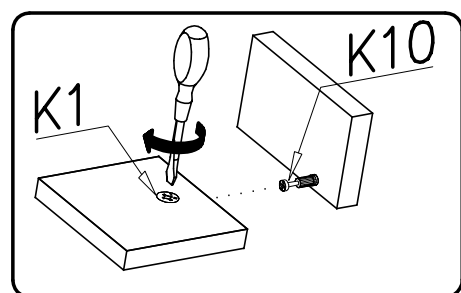
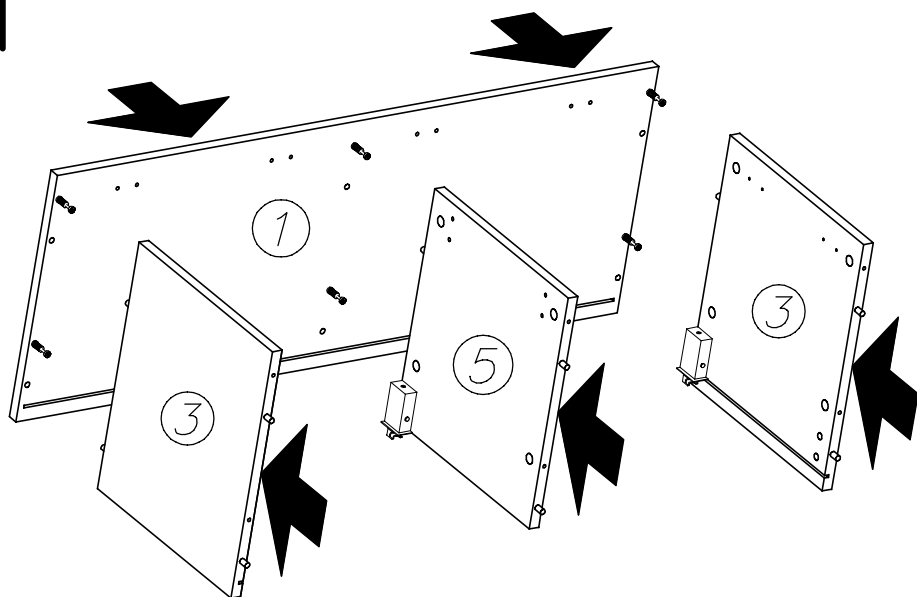


I

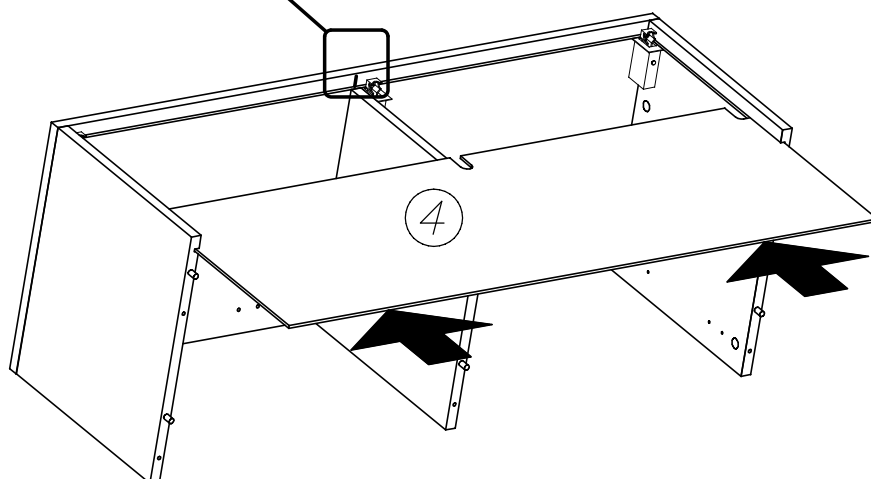
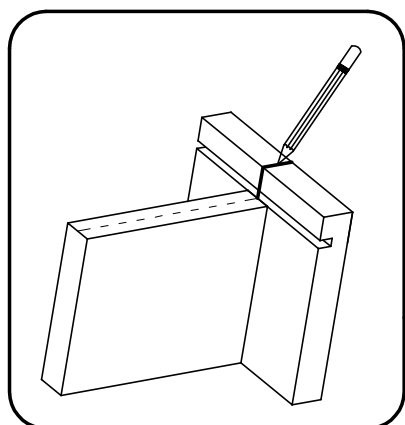


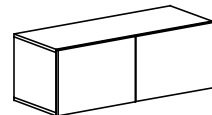


II

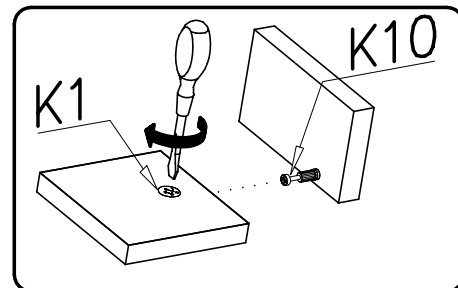
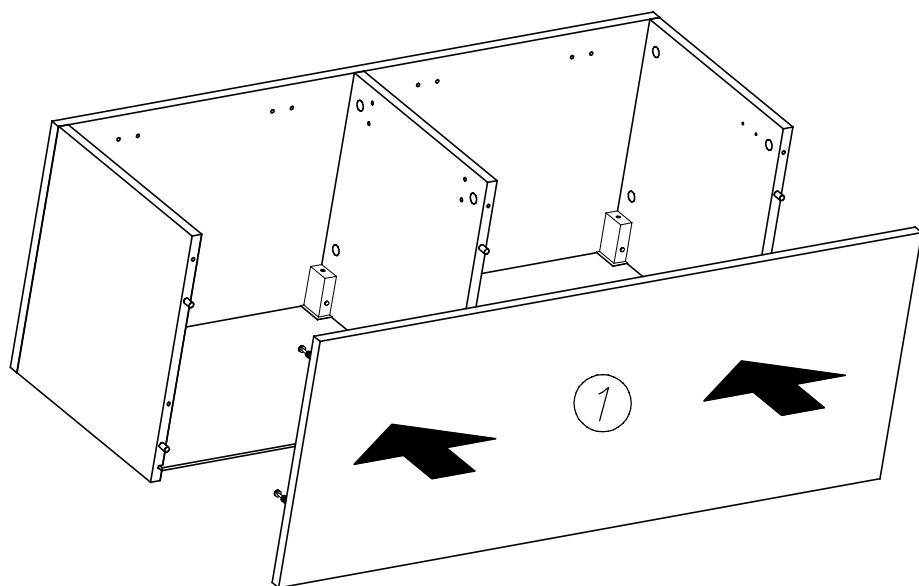


III

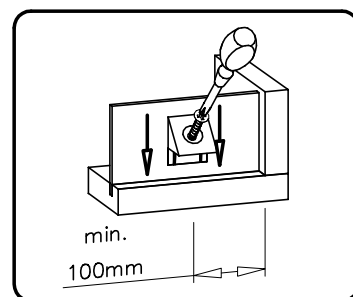
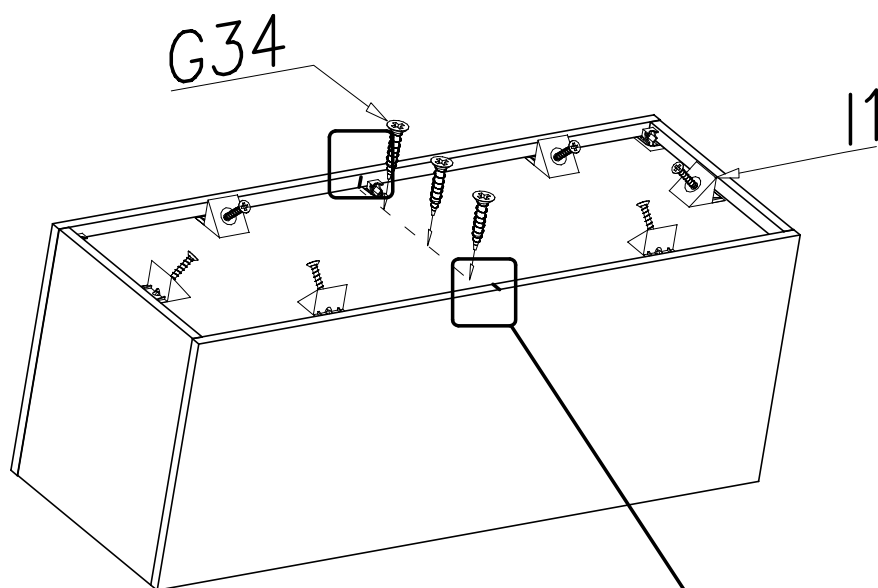




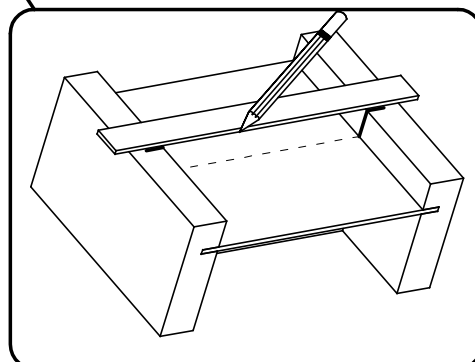
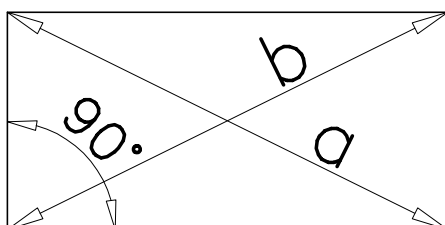
IV

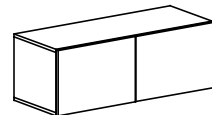


V

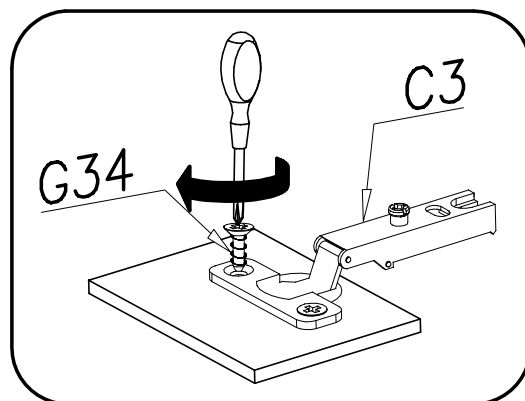
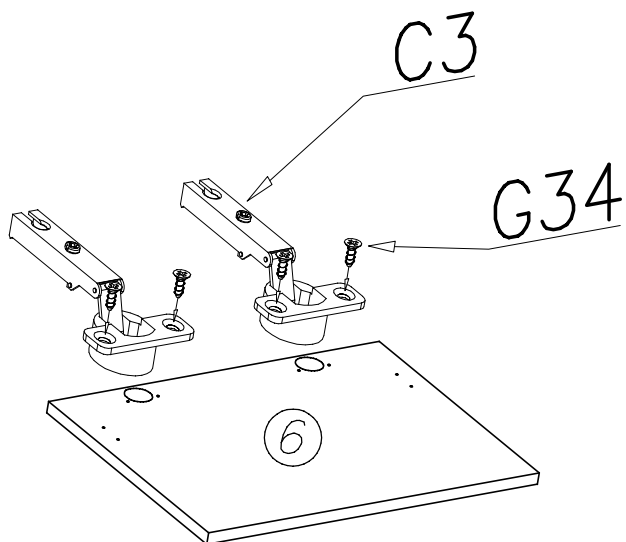


$$a = b$$

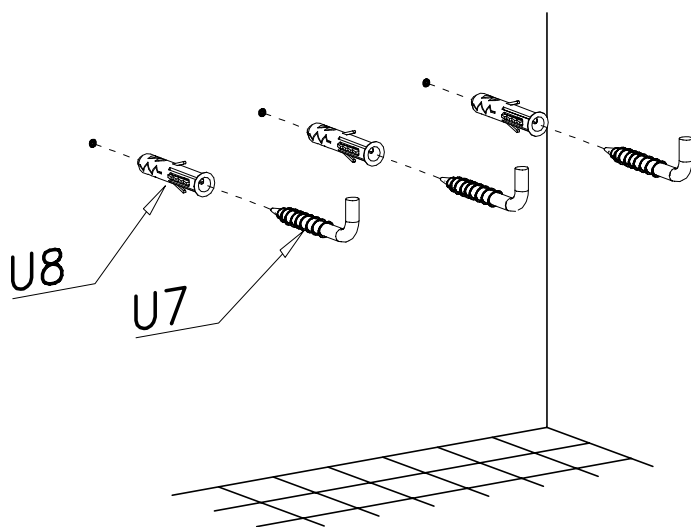
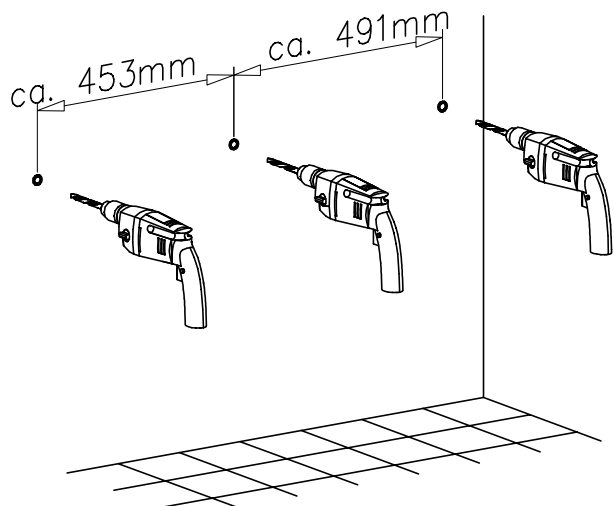
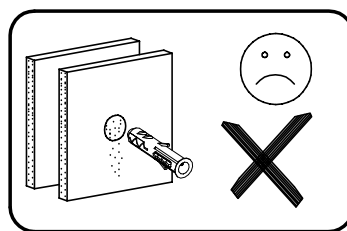
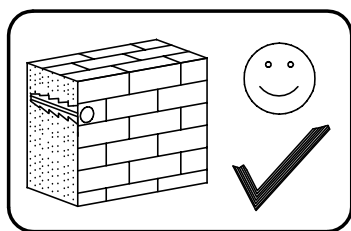


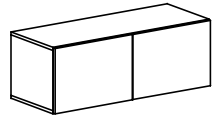


VI

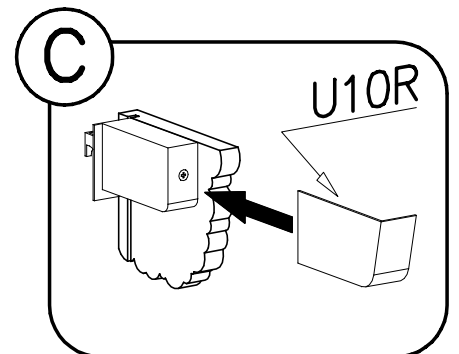
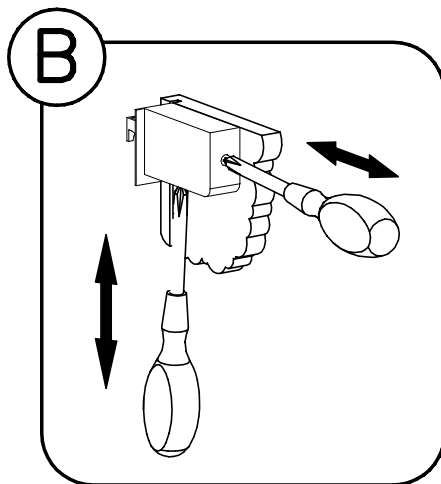
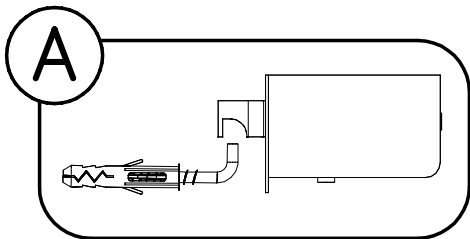
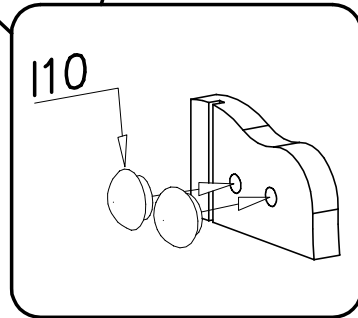
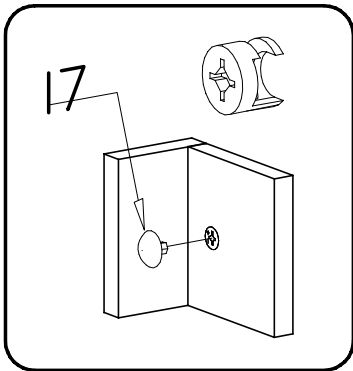
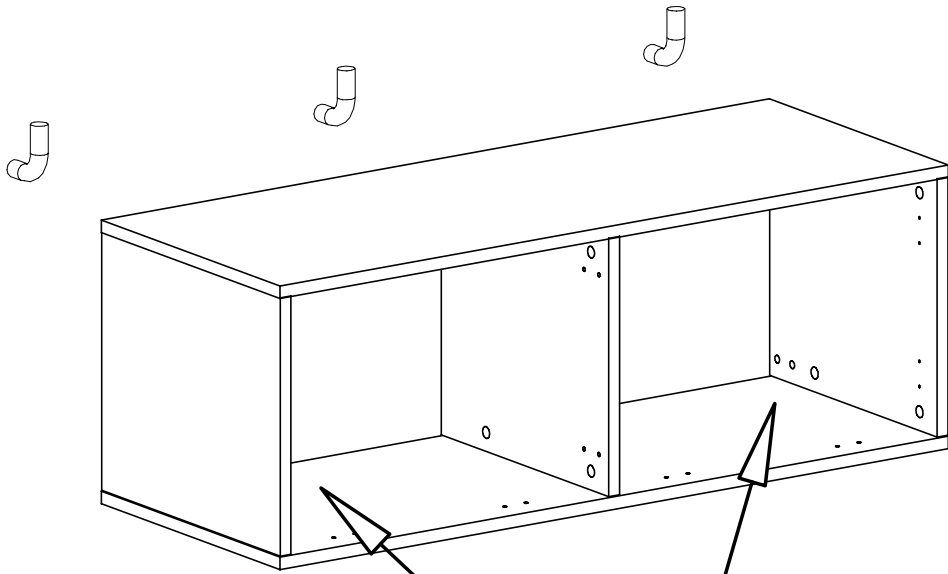


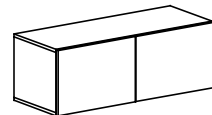
VII



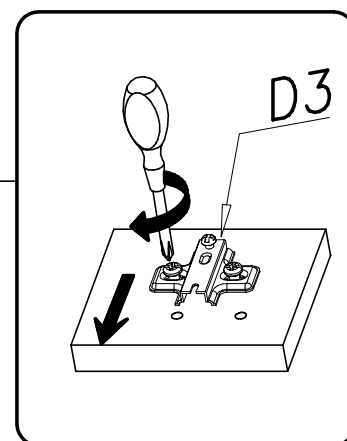
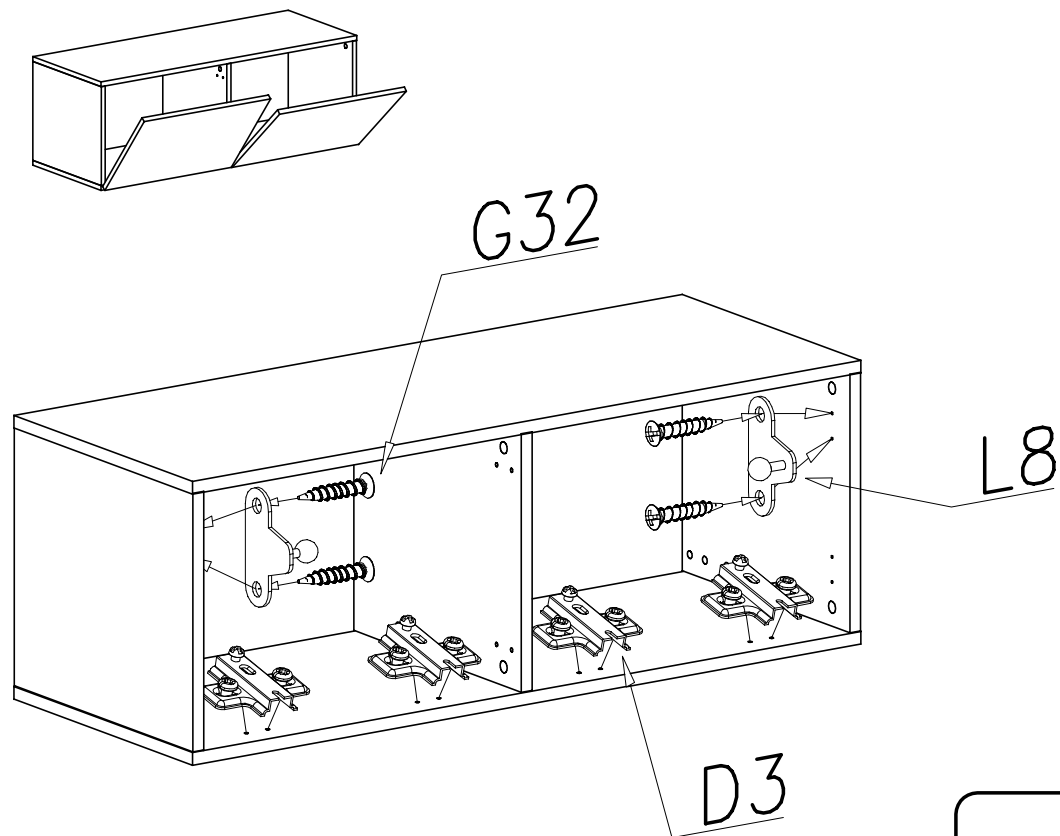


VIII

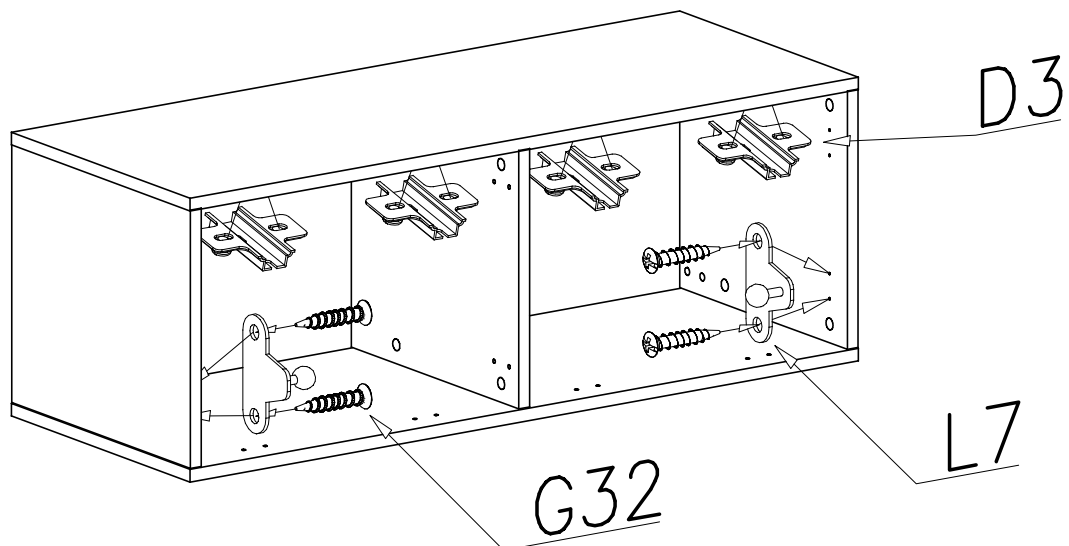
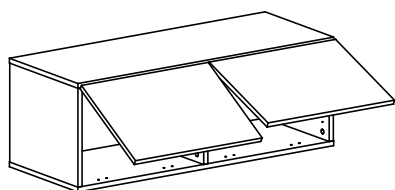


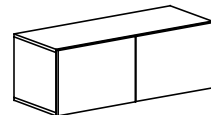


IX

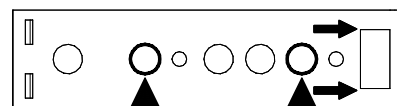
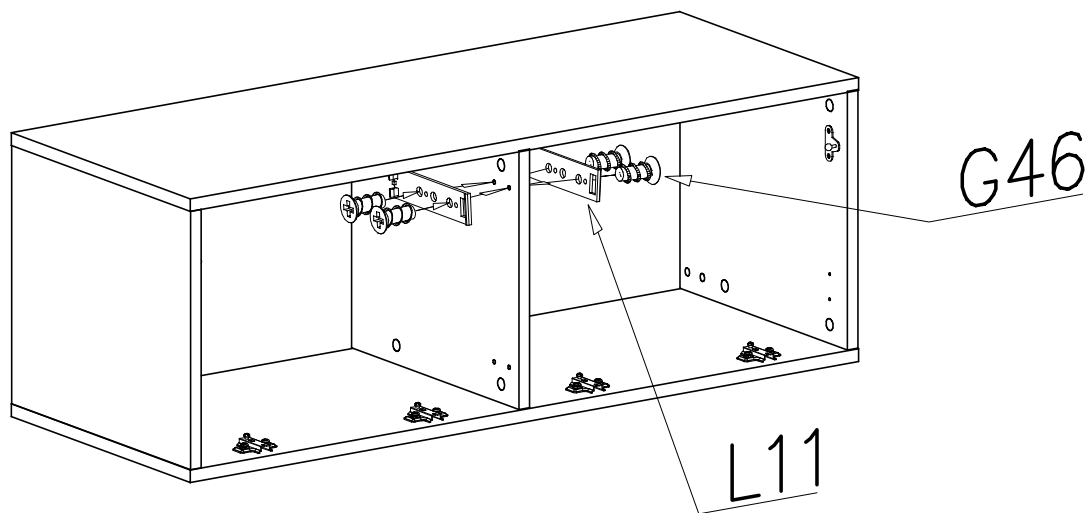
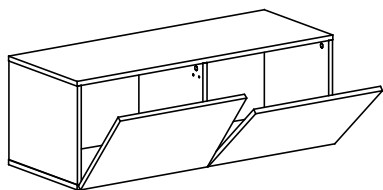


IX

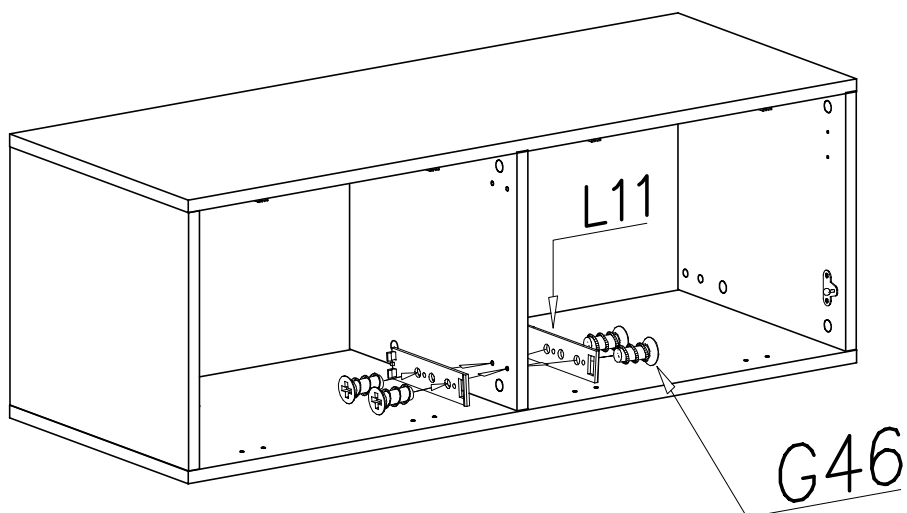
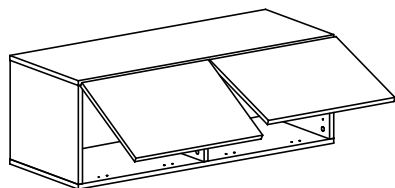


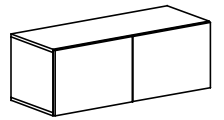


X

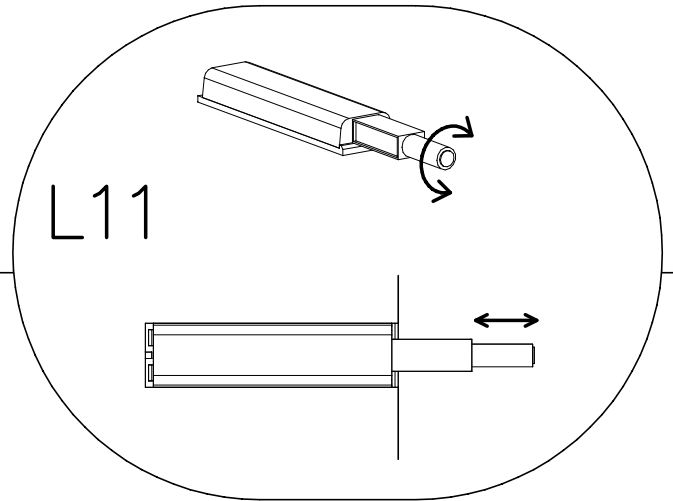
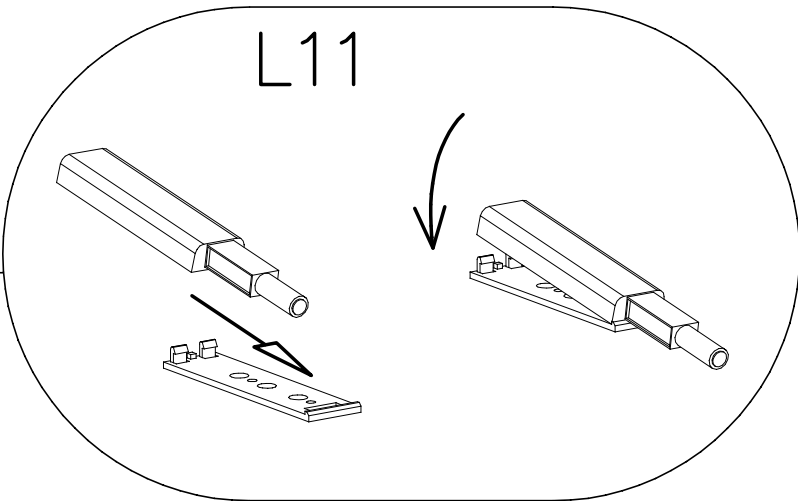
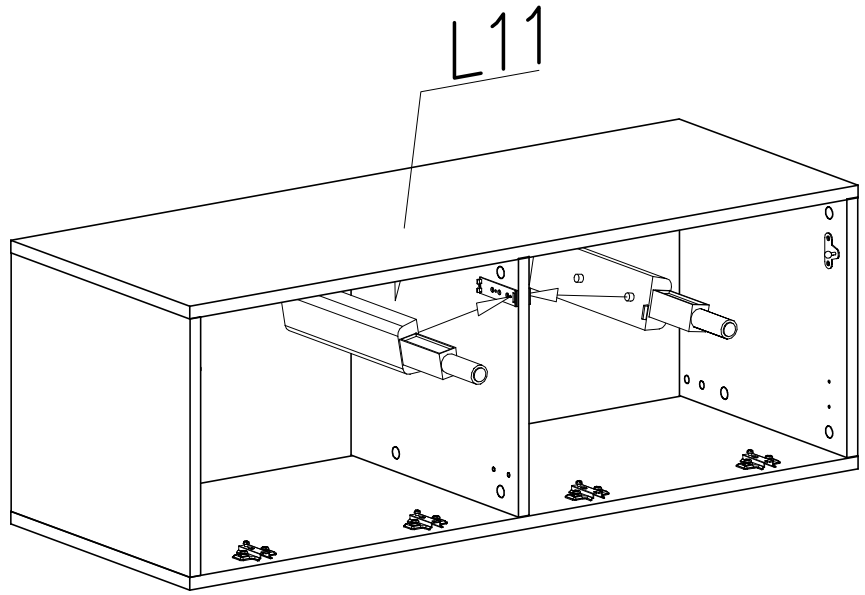
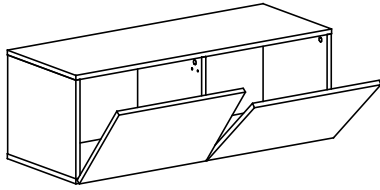


X

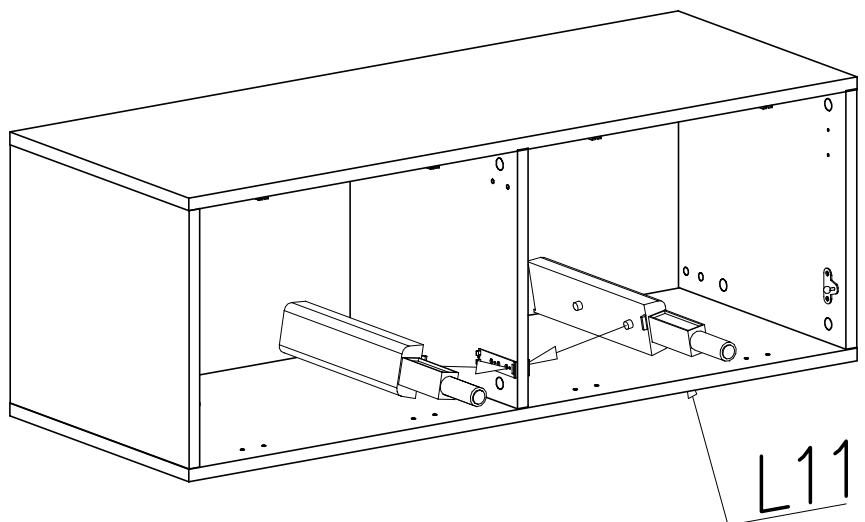
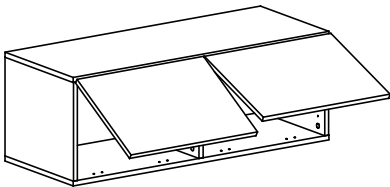


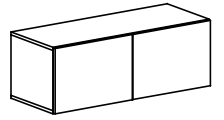


XI

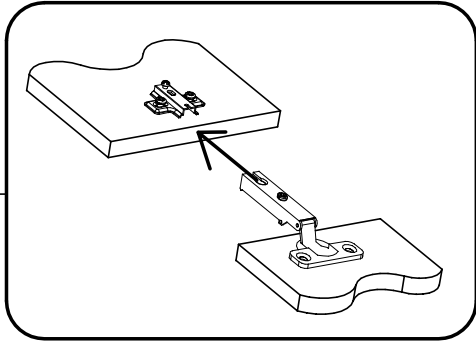
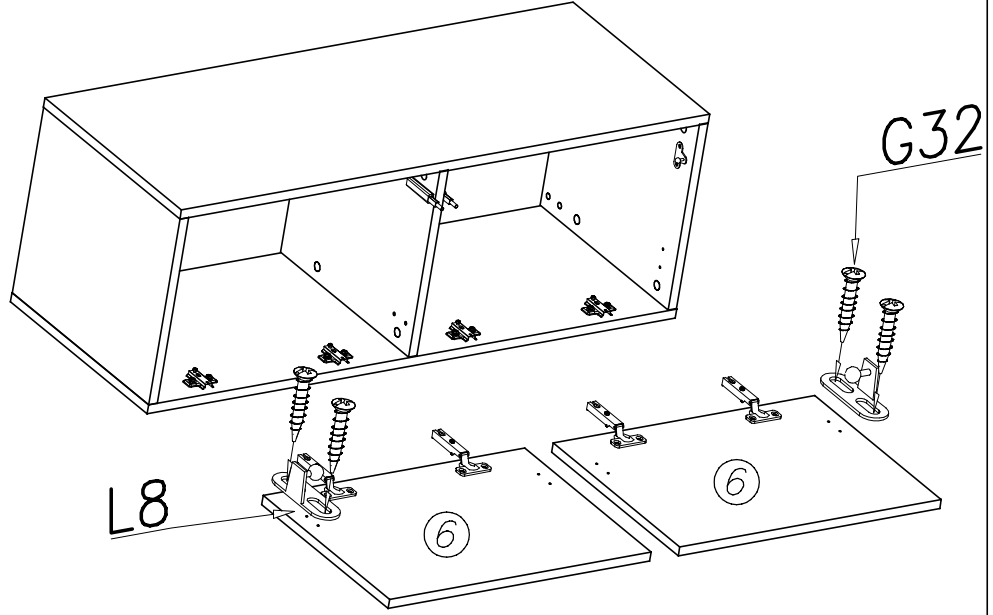
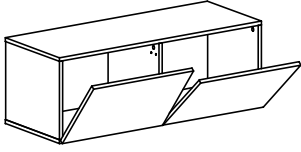


XI

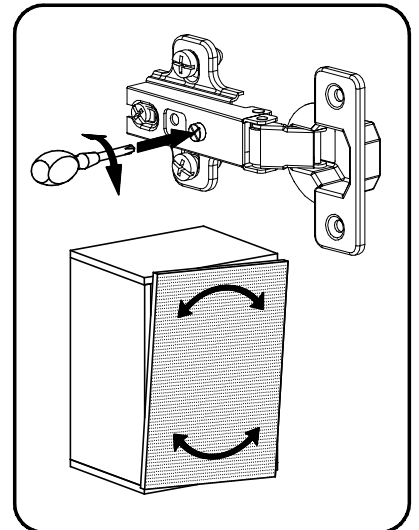
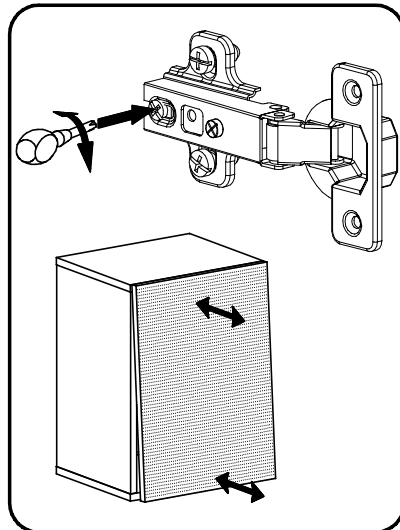
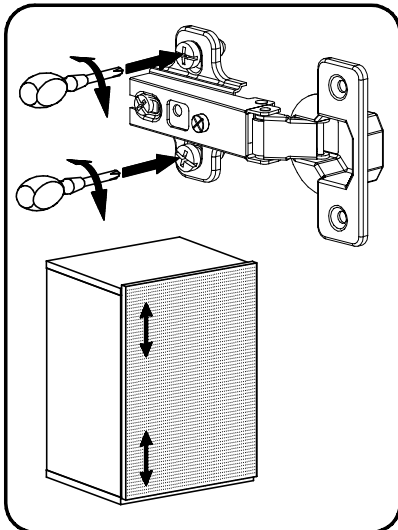
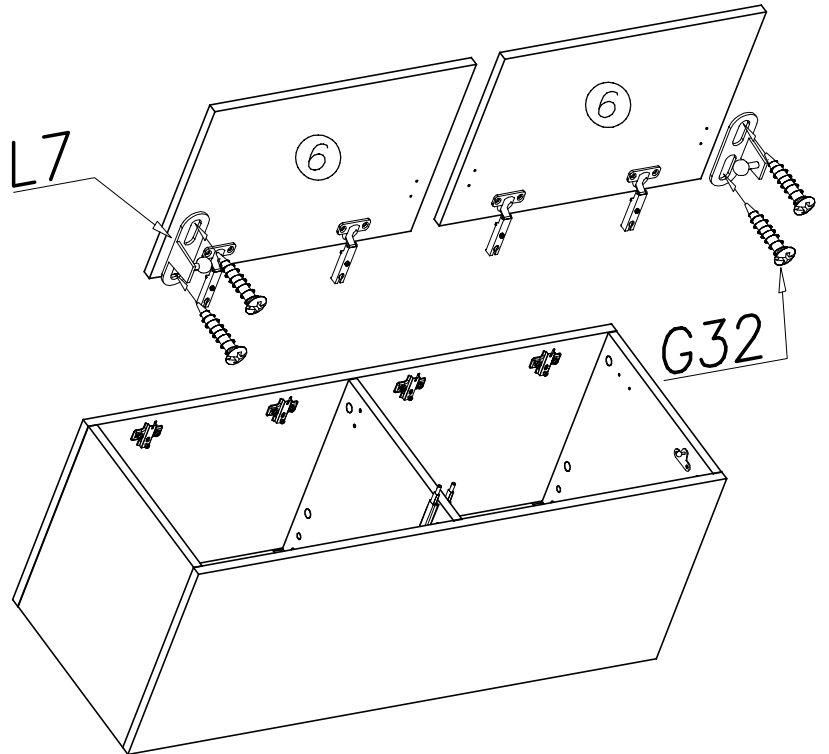
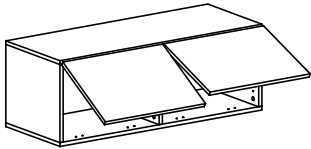


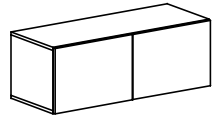


XII

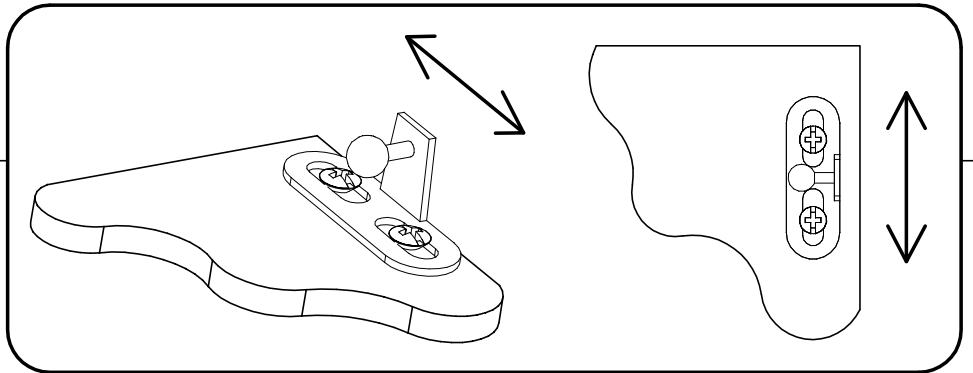
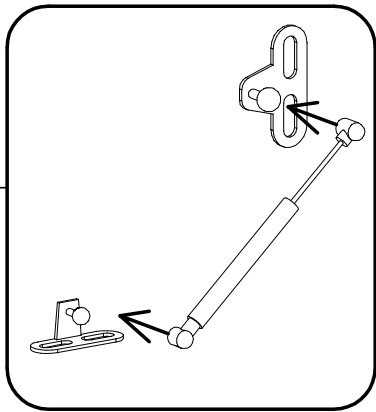
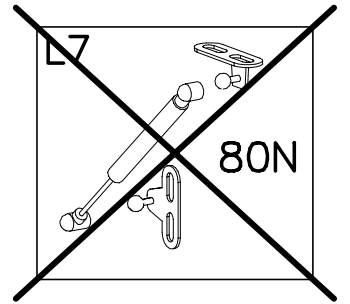
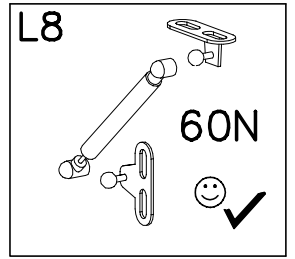
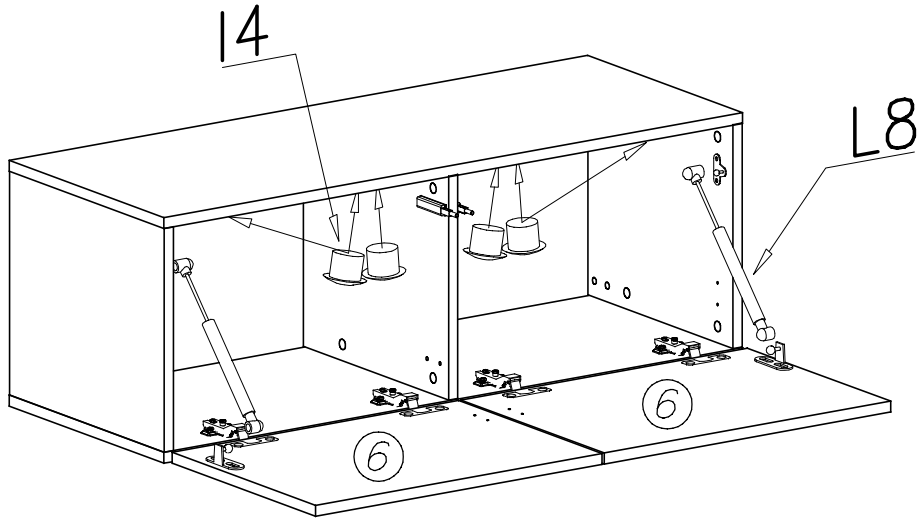
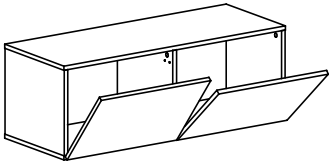


XII

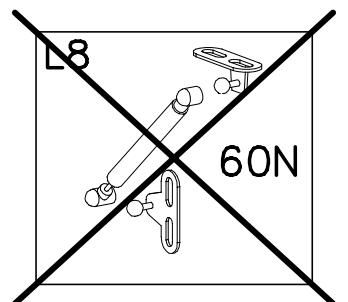
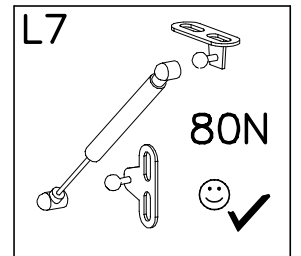
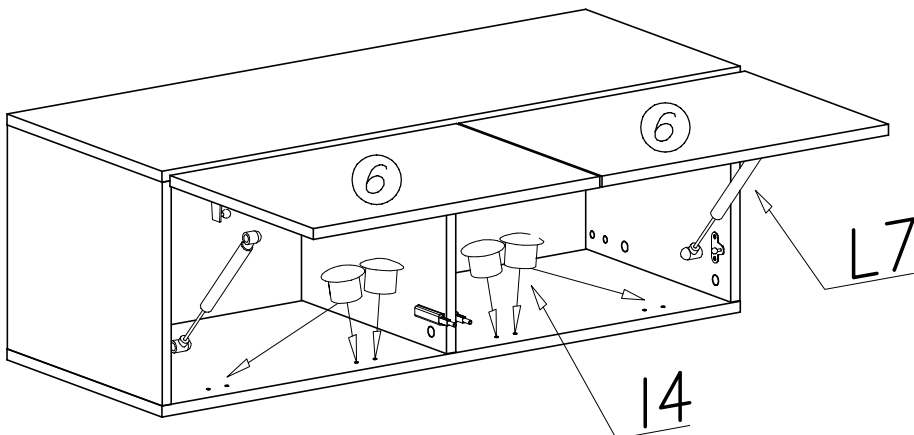
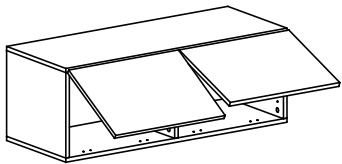


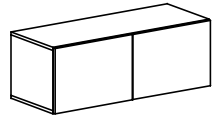


XIII

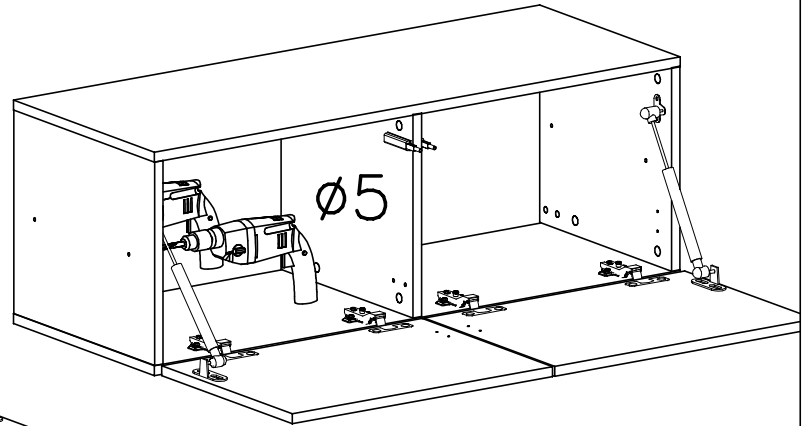
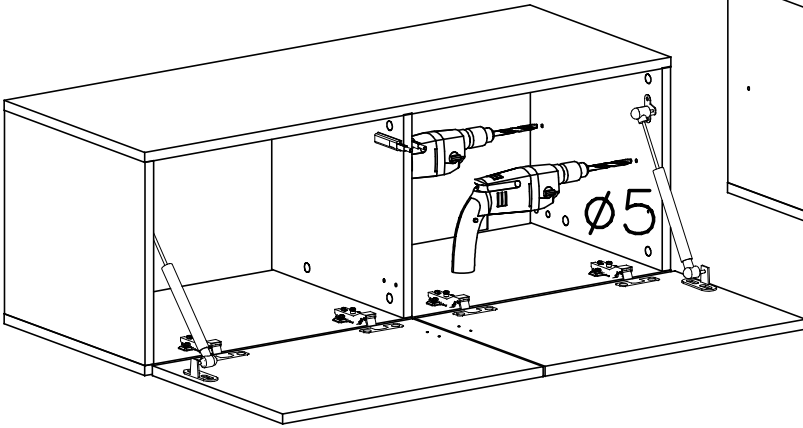
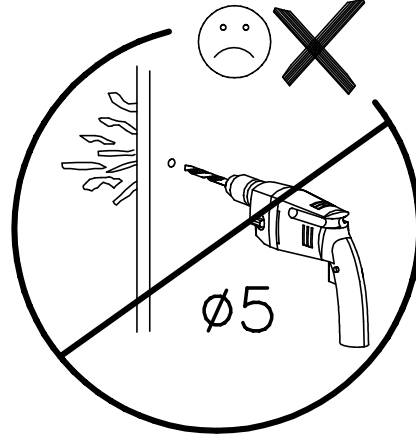
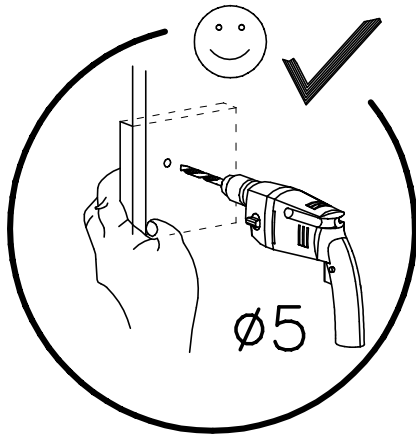


XIII





XIV



XV

