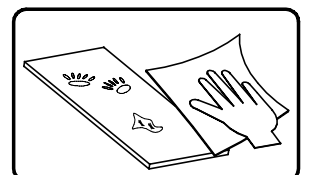
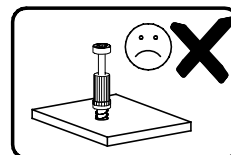
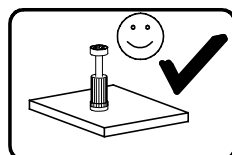
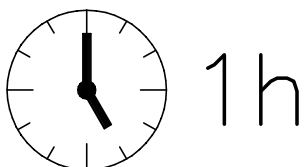
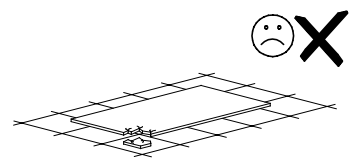
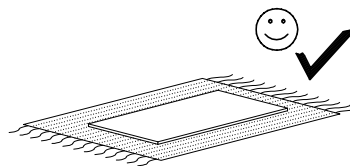
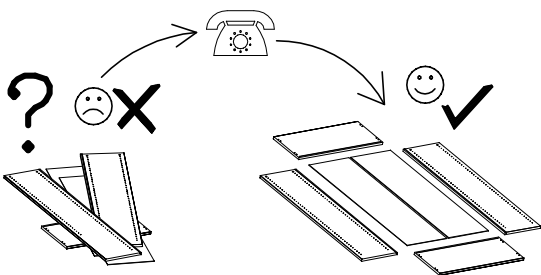
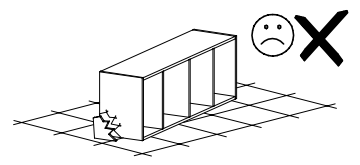
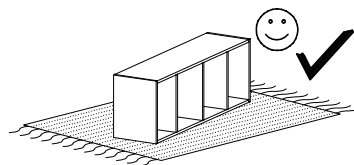
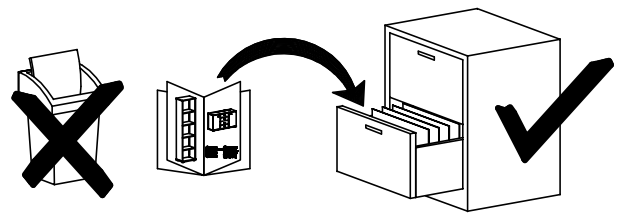
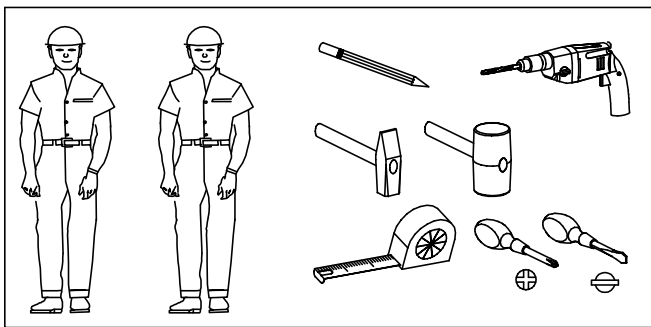
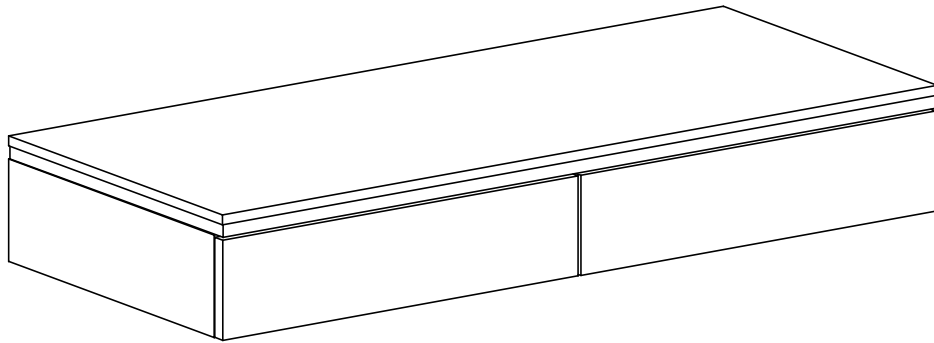
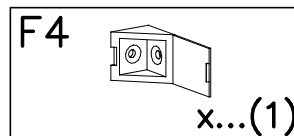
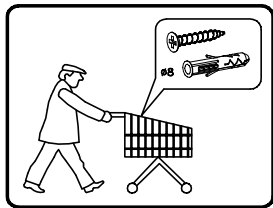
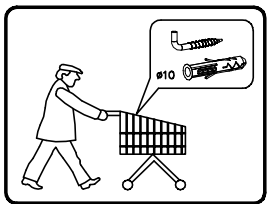
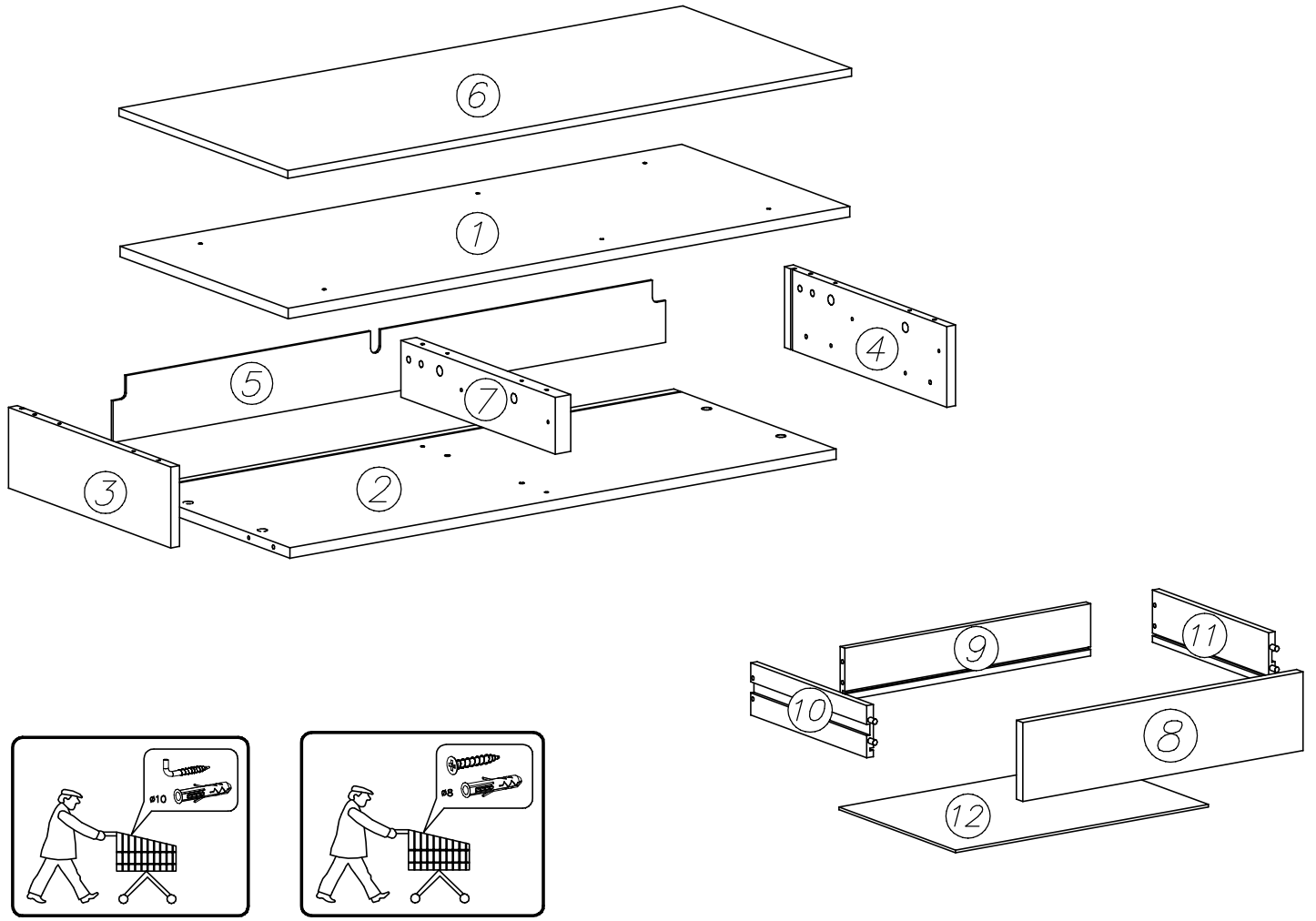
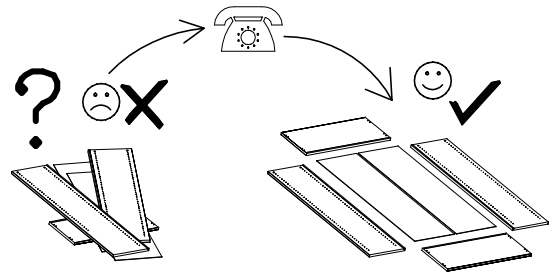
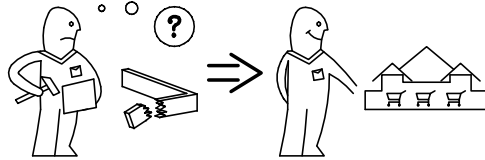
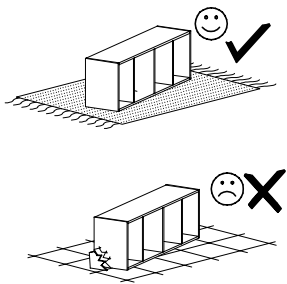




# AURORA toaletka

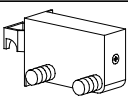


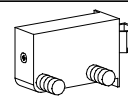
# AURORA toaletka

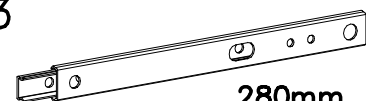


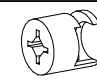
**G34**   
3,5x16 x...(1)


**A1**   
Ø7x50 x...(2)

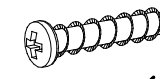
**U9L**   
x...(1)

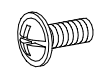
**U9R**   
x...(2)

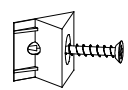
**H3**   
280mm x...(4)


**K14**   
Ø15x19 x...(2)

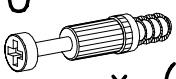
**K1**   
Ø15x12 x...(8)

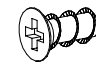
**G55**   
6x22 x...(6)

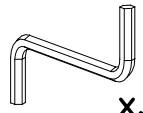
**N1**   
M4x9 x...(4)


**I1**   
x...(4)


**W1**   
GLUE, LEIM, LEPIDLO, LIM  
x...(1)

**K10**   
x...(10)

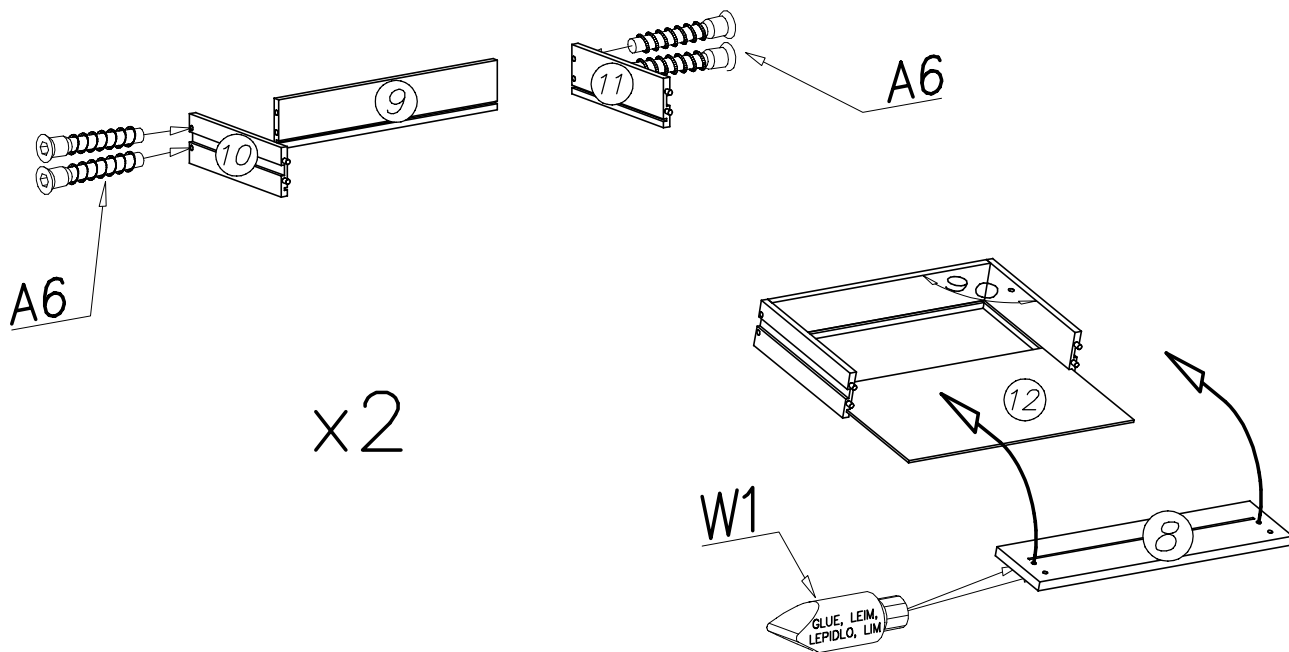
**G50**   
6x13 x...(8)

**W2**   
x...(1)

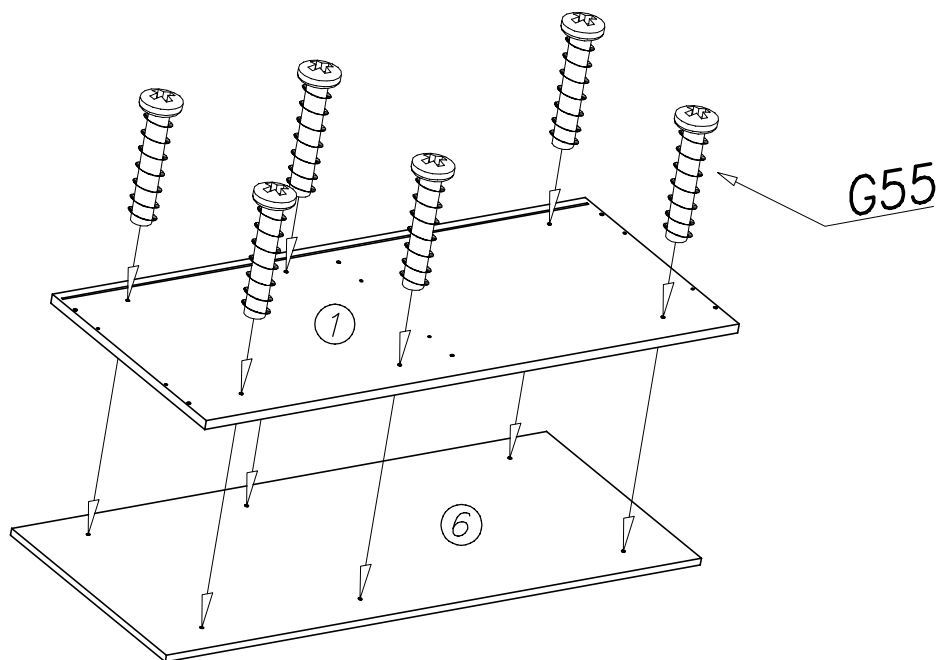
**A6**   
Ø7x40 x...(8)

**B2**   
Ø6x35 x...(12)

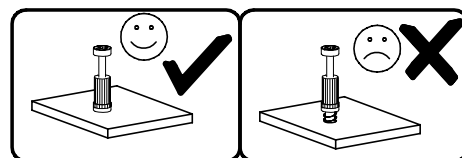
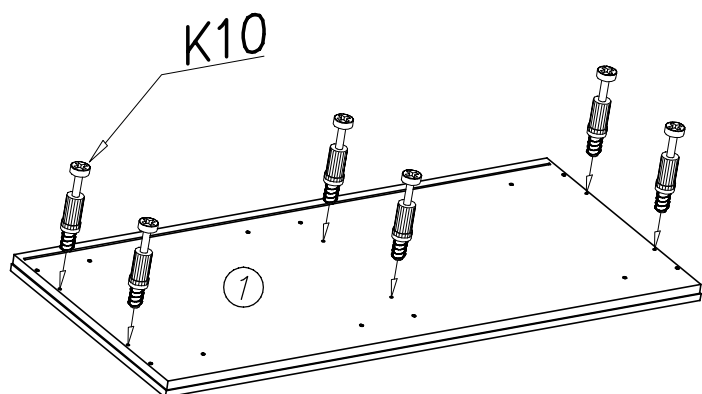
I



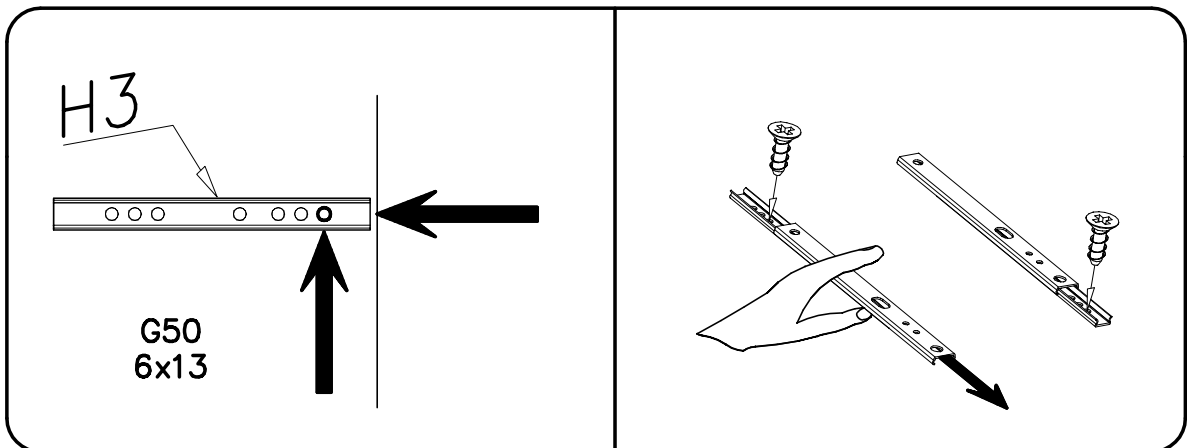
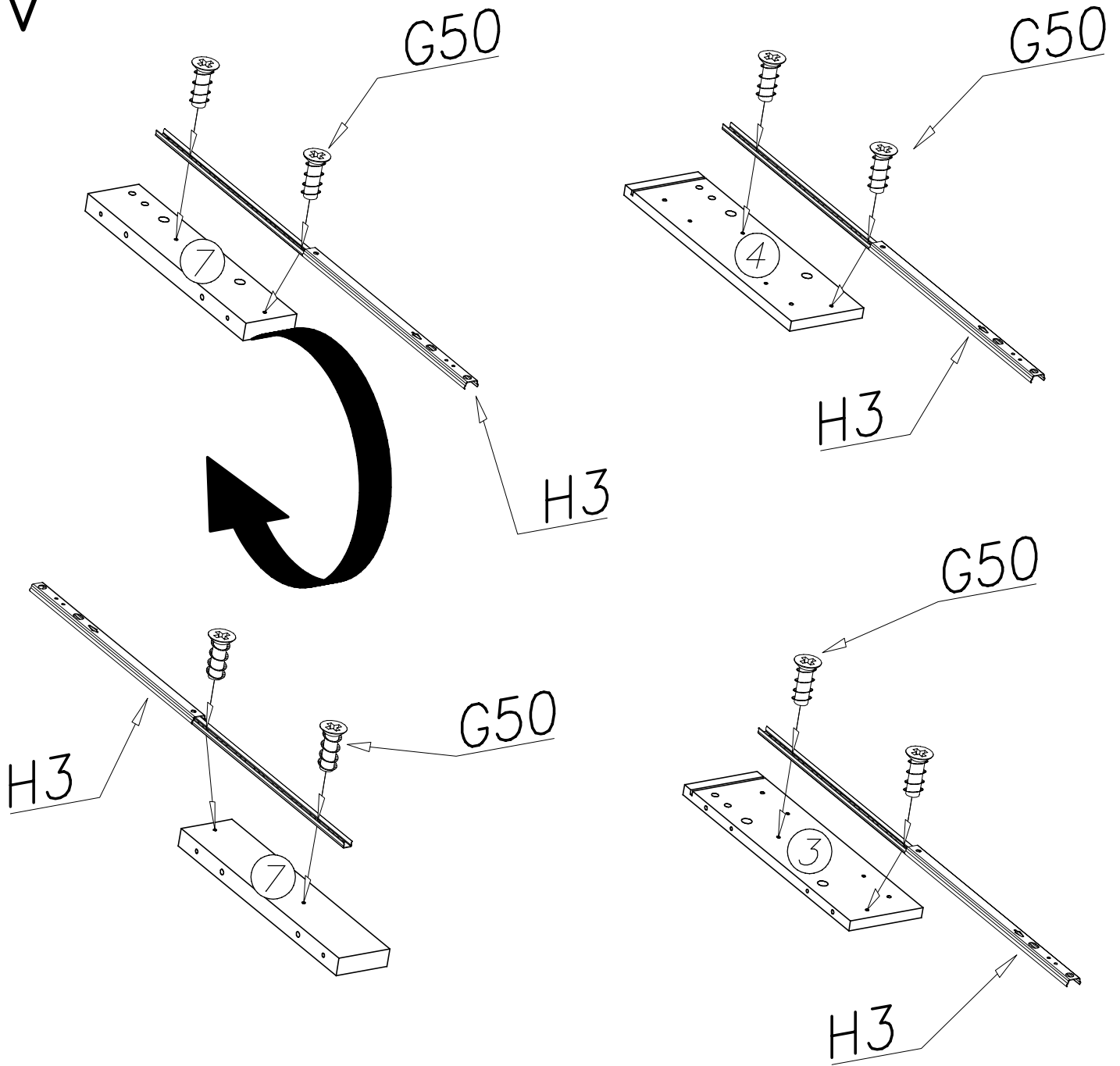
II



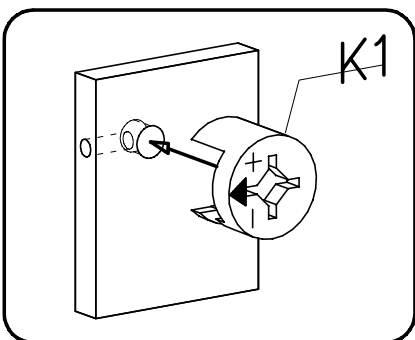
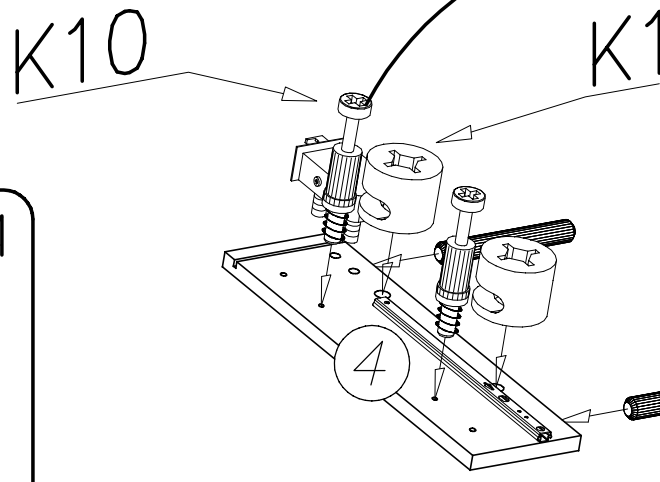
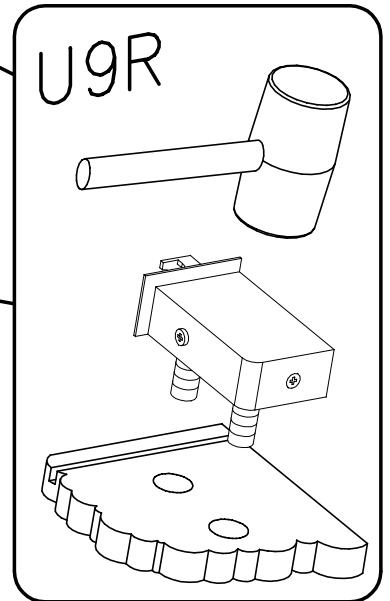
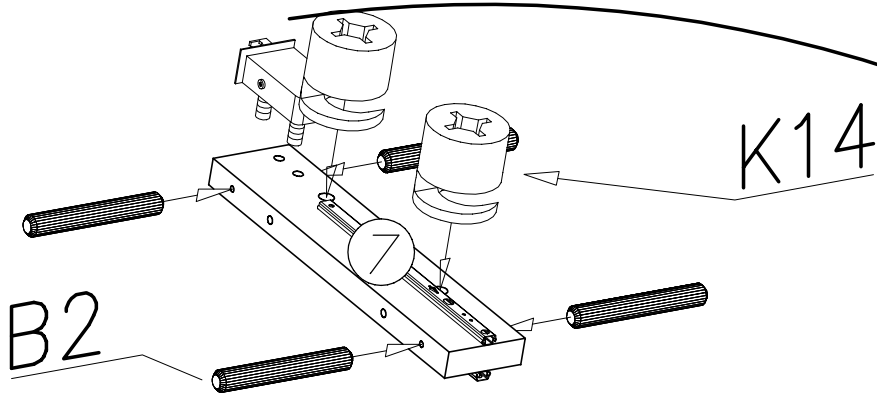
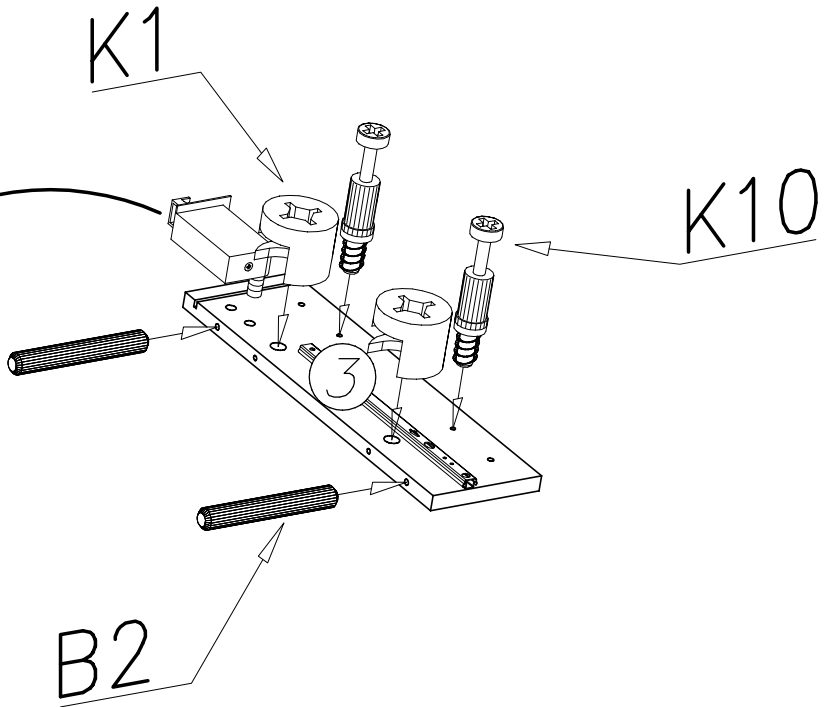
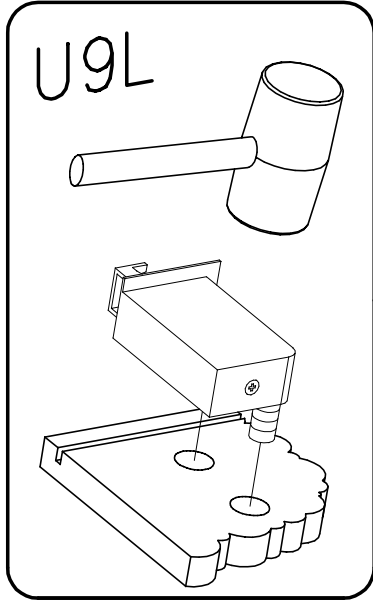
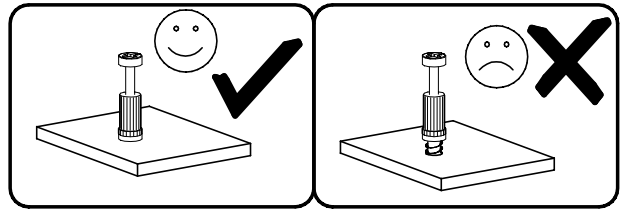
III



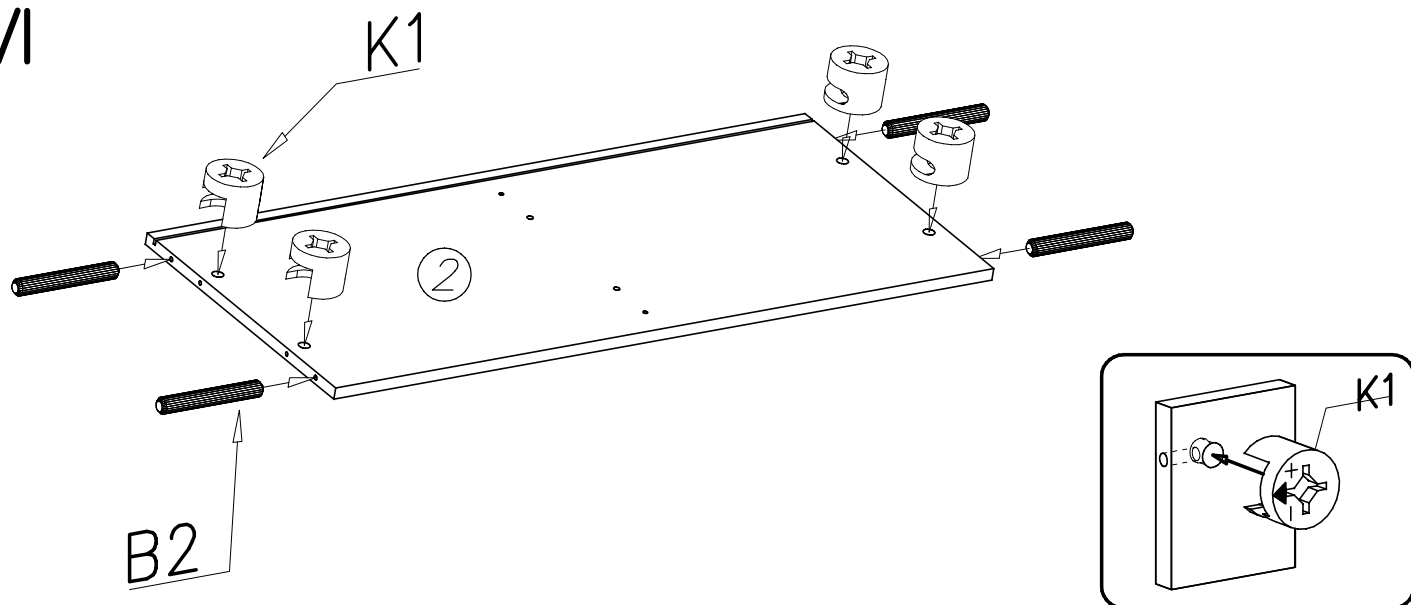
IV



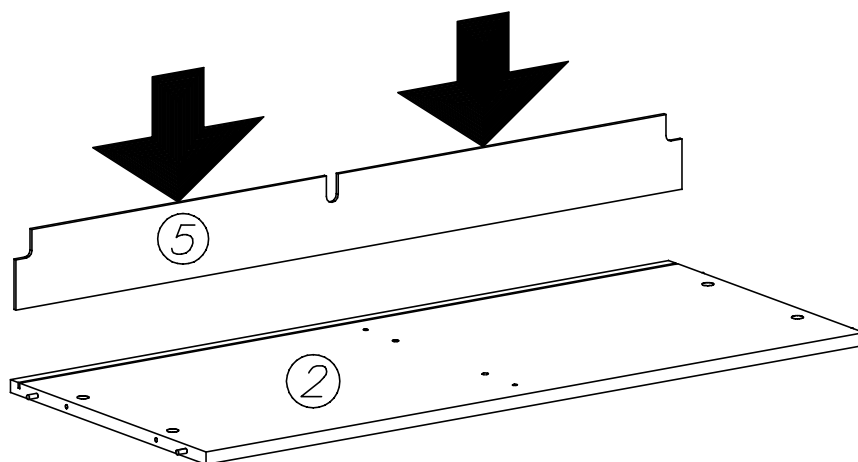
V



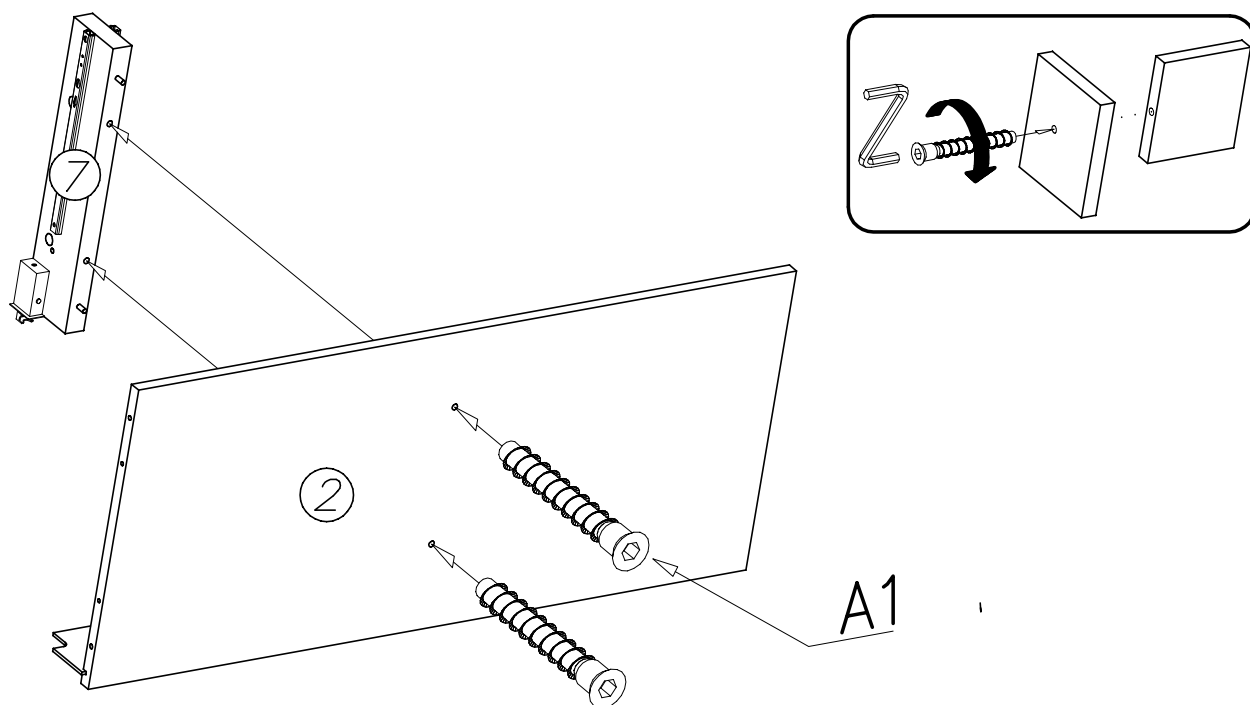
VI



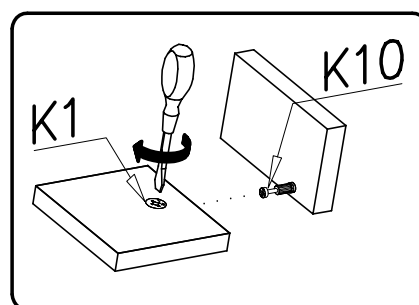
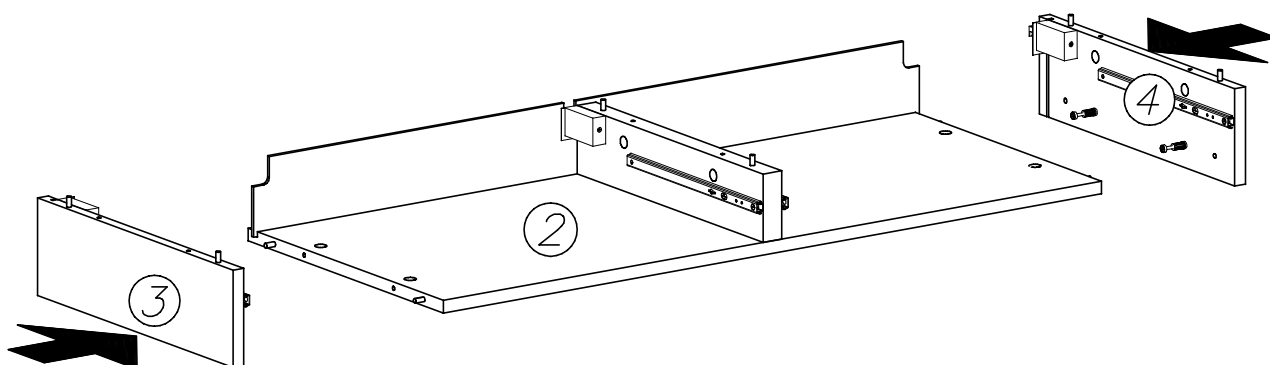
VII



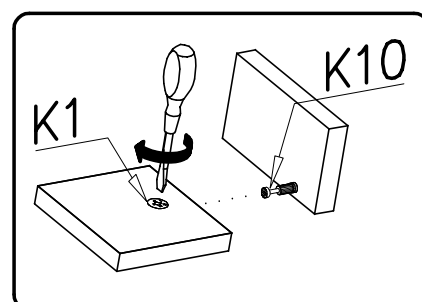
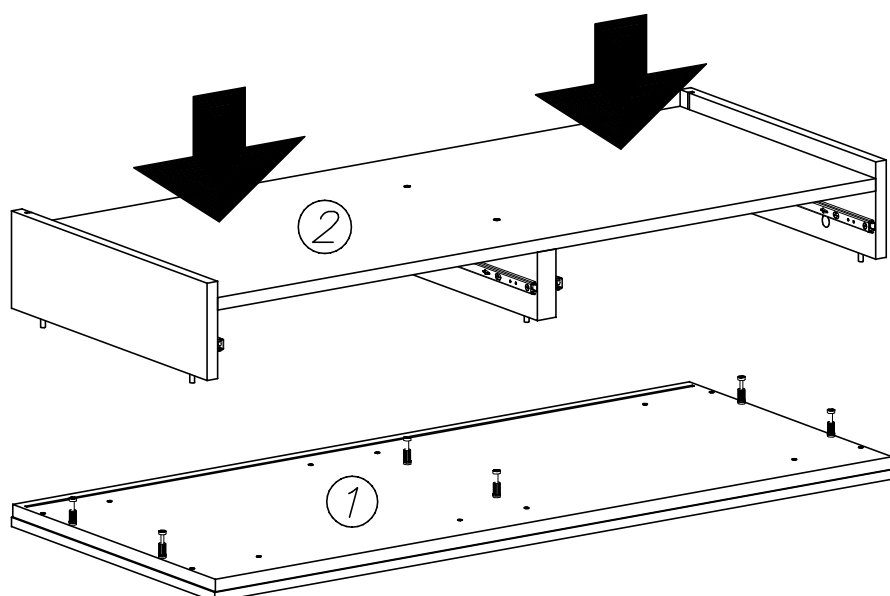
VIII



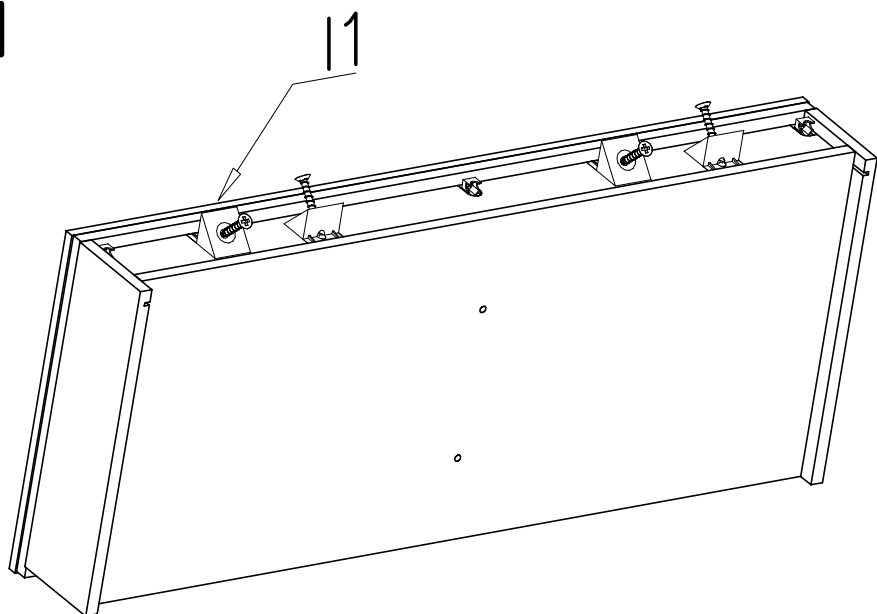
IX



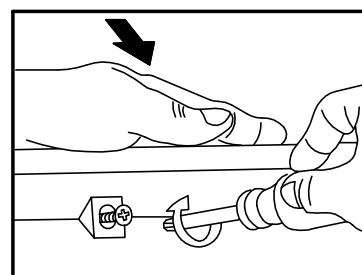
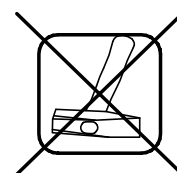
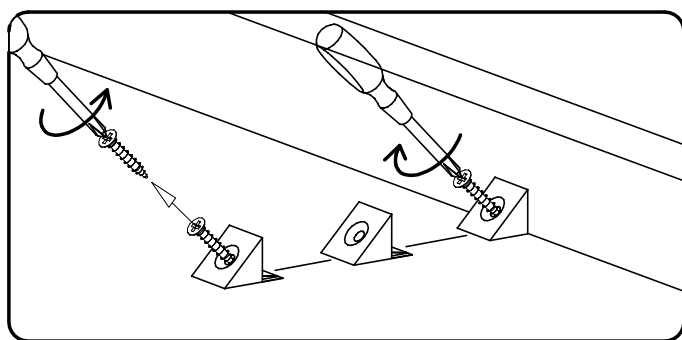
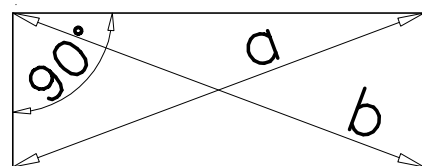
X



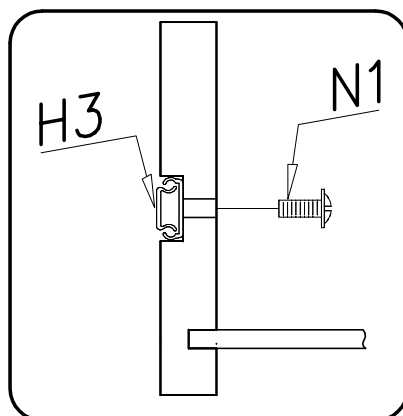
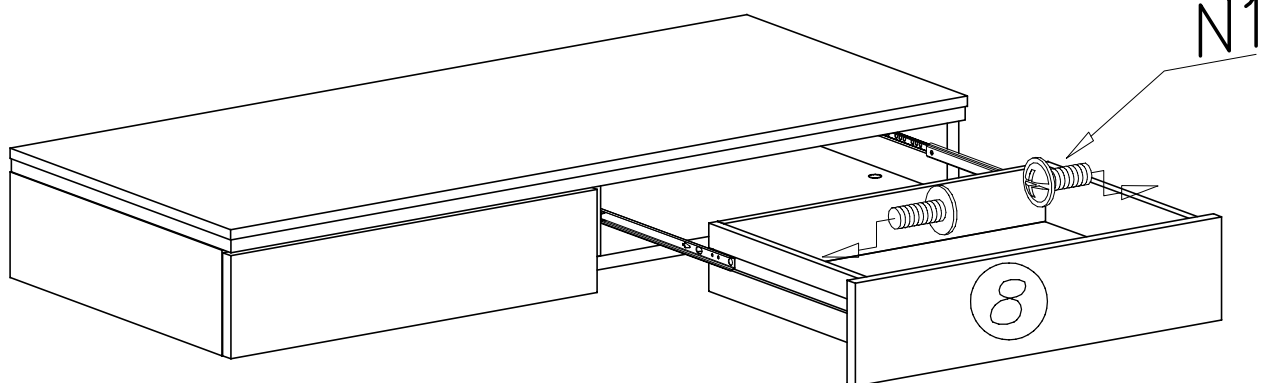
## XI



$a=b$

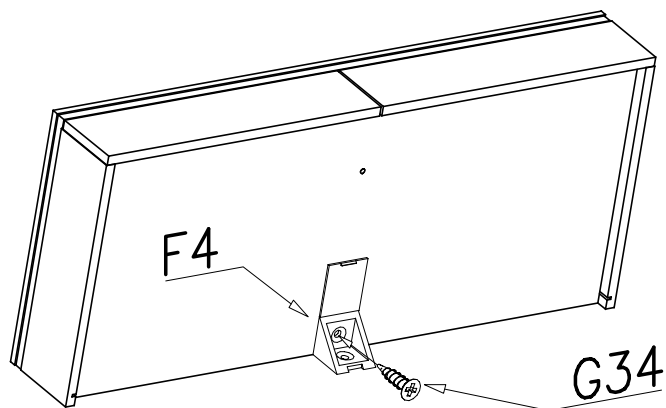


## XII

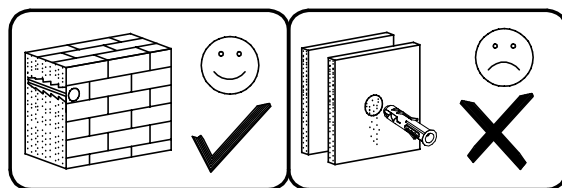
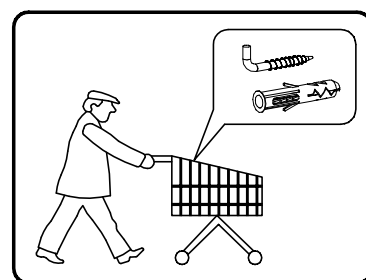
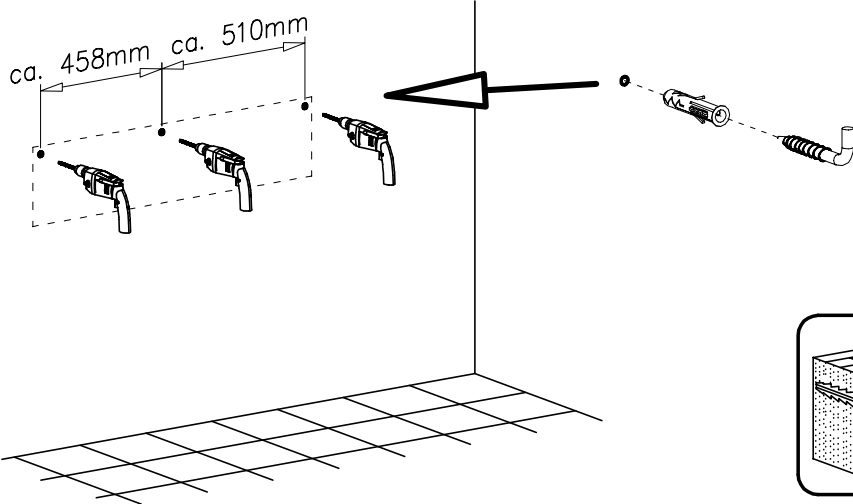




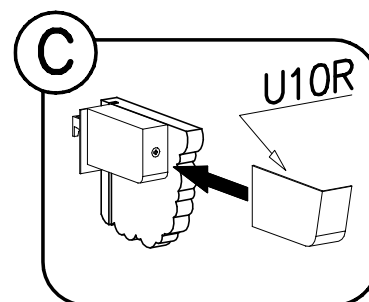
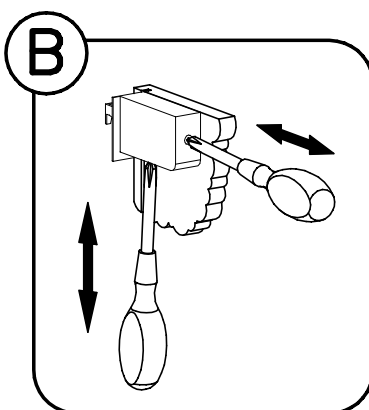
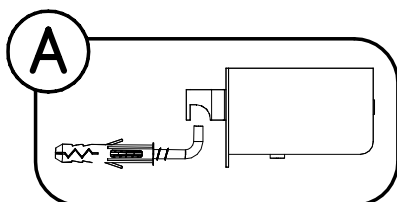
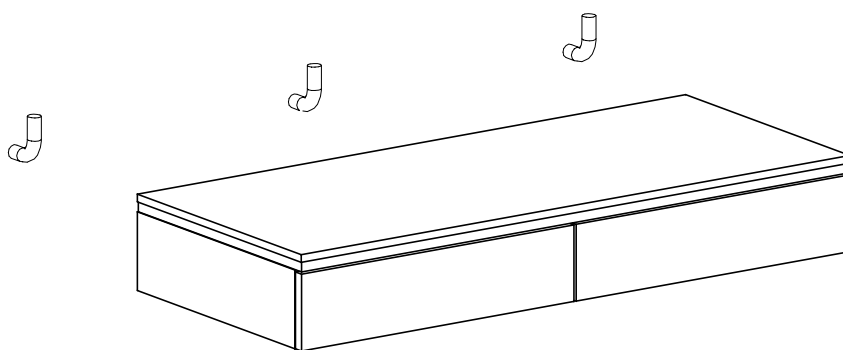
## XIII



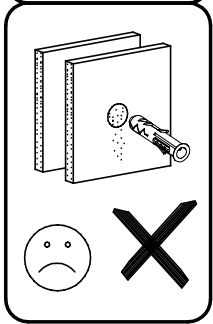
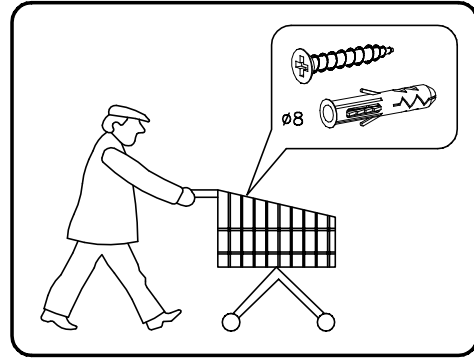
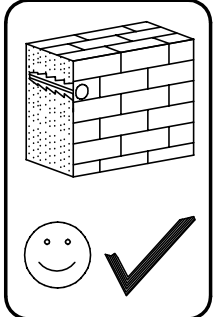
## XIV



## XV

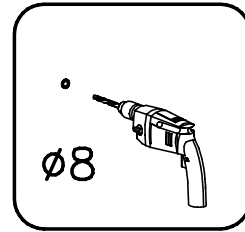
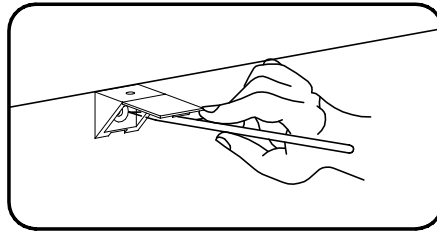


XVI



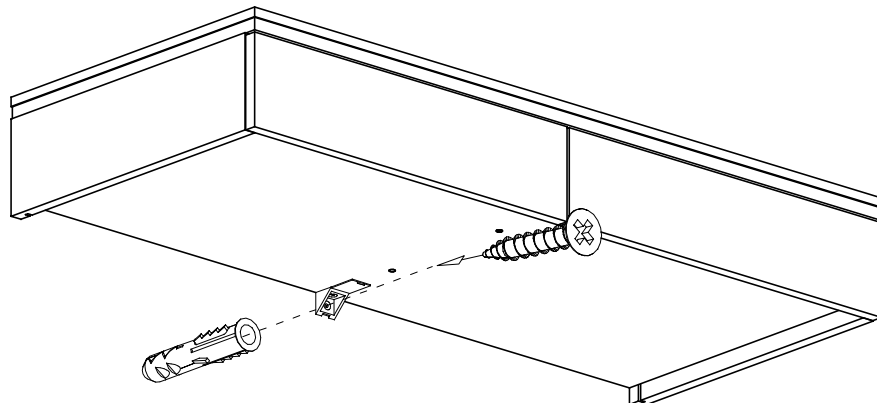
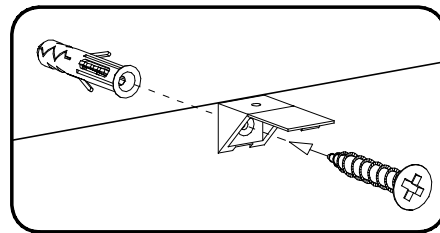
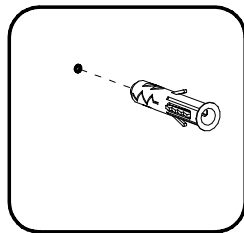
1

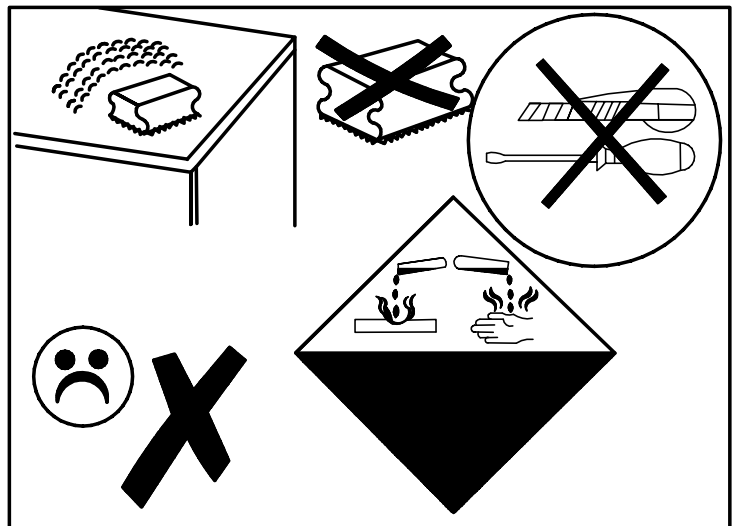
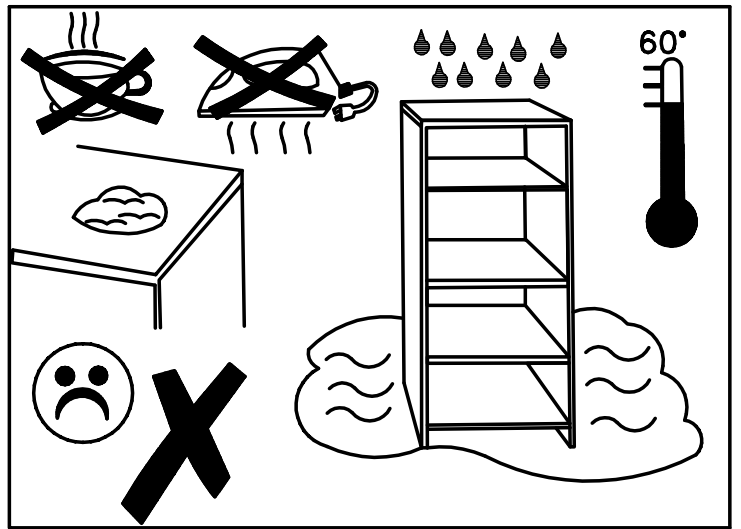
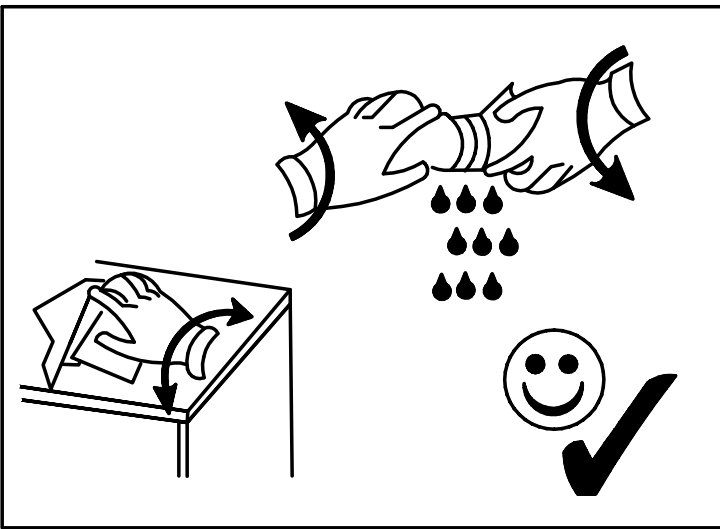
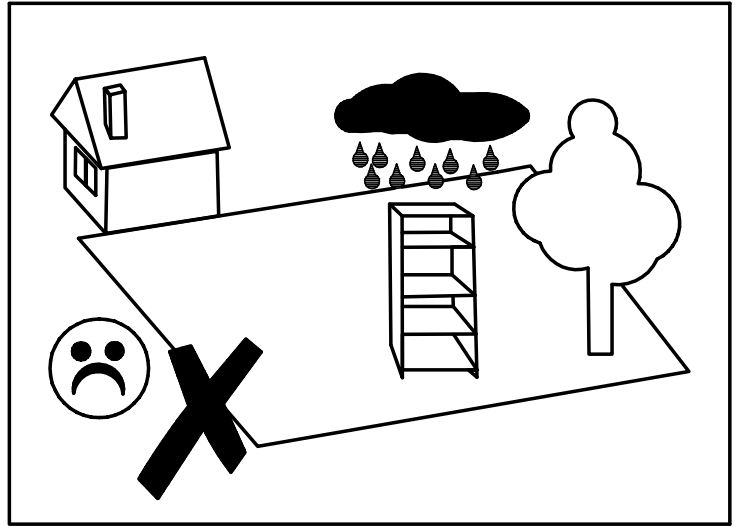
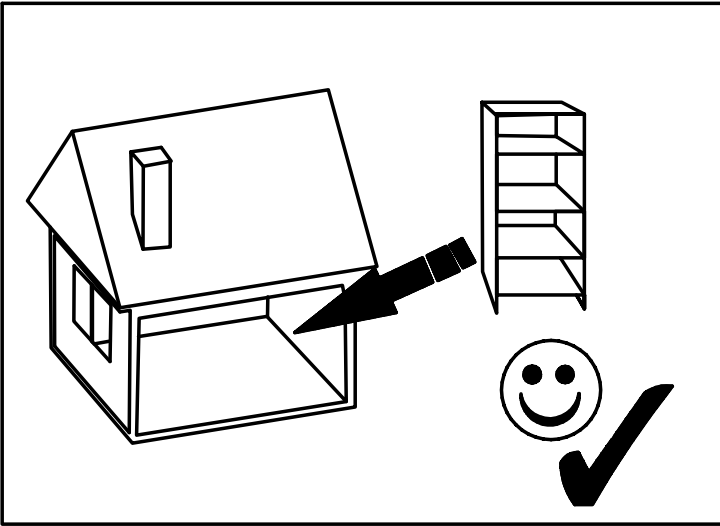
2



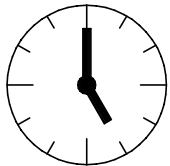
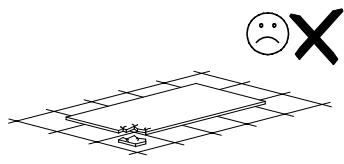
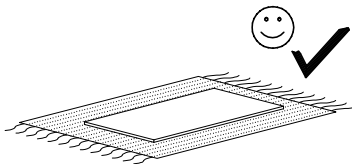
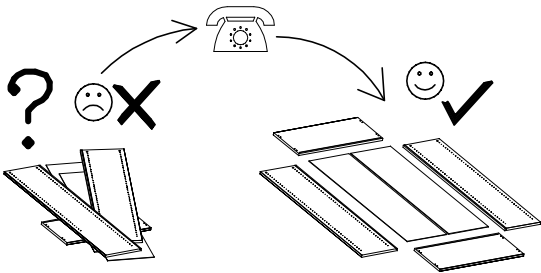
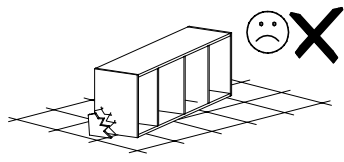
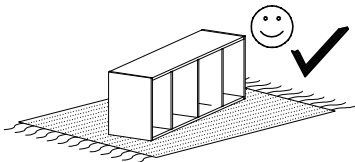
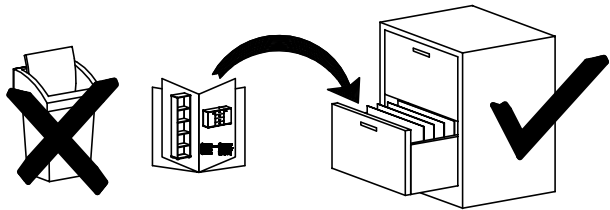
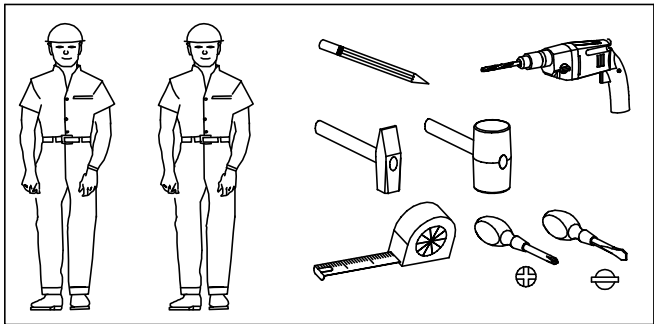
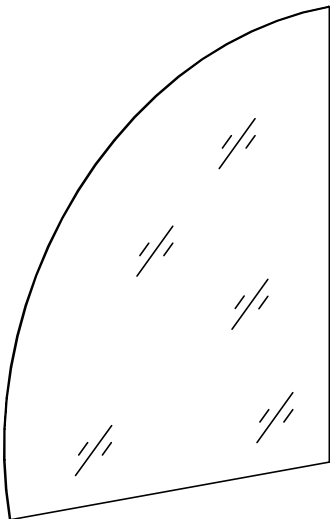
3

4

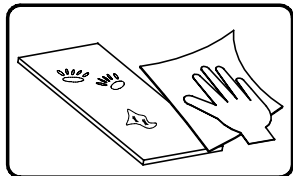
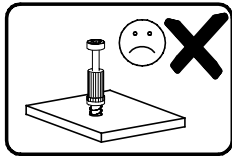
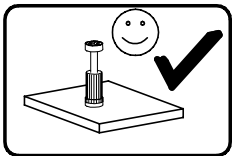




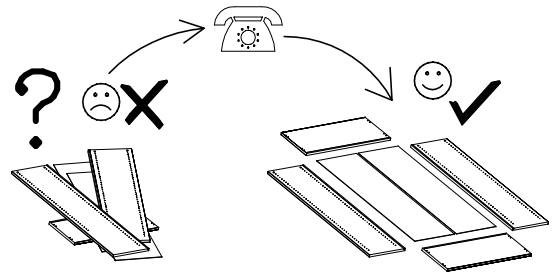
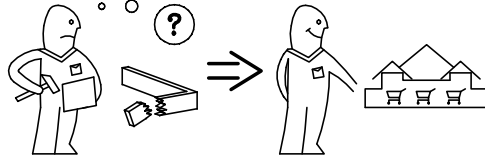
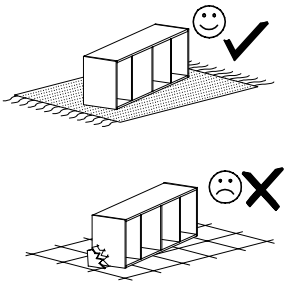
# QUINNIE L



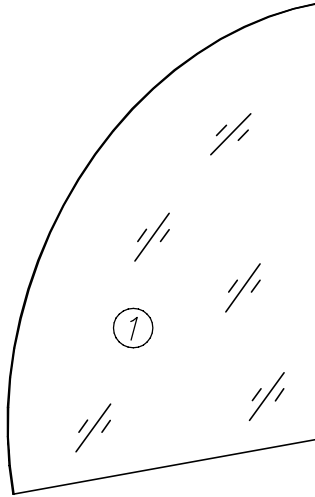
0,5h

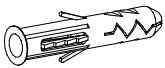



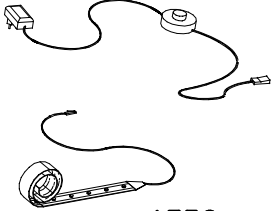


# QUINNIE L



nr	L[mm]	B[mm]	T[mm]	Menge	Colli
1	920	770	19	1	1/2



<p><b>U8</b></p>  <p>∅10x60 x...(2)</p>	<p><b>U7S</b></p>  <p>x...(2)</p>	<p><b>W4</b></p>  <p>x...(2)</p> <p><b>G46</b></p>  <p>6x8 x...(4)</p>	<p><b>W10</b></p>  <p>1350mm</p> <p>x...(1)</p>
--	--	--	--



I

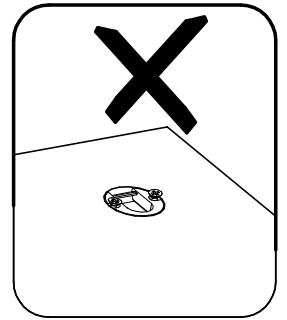
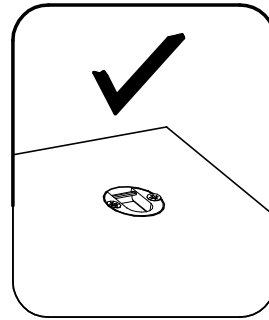
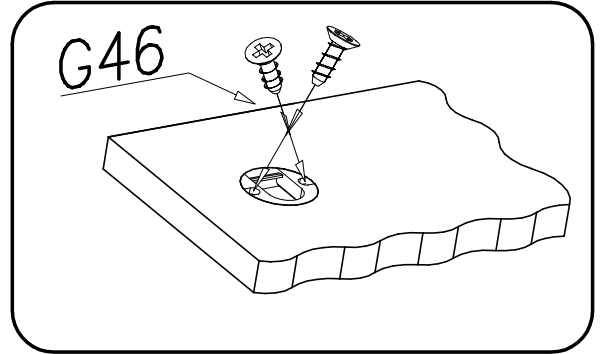
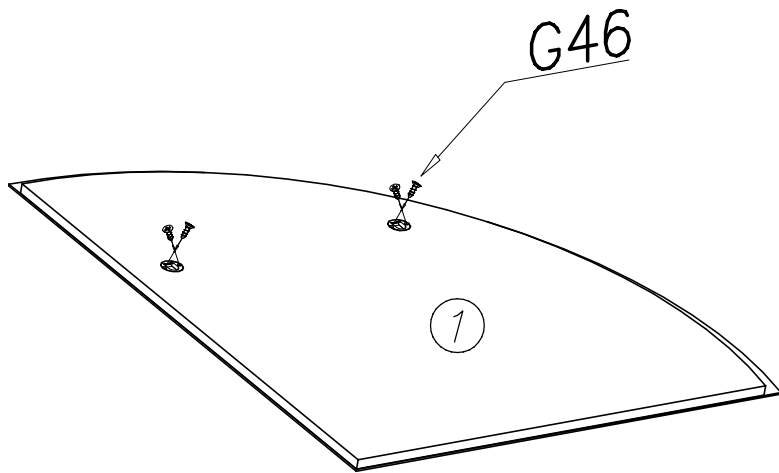


G46



6x8

x...(4)

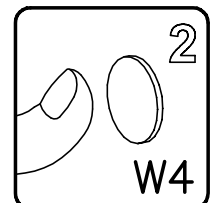
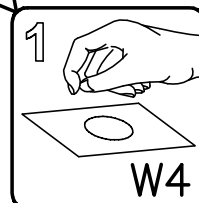
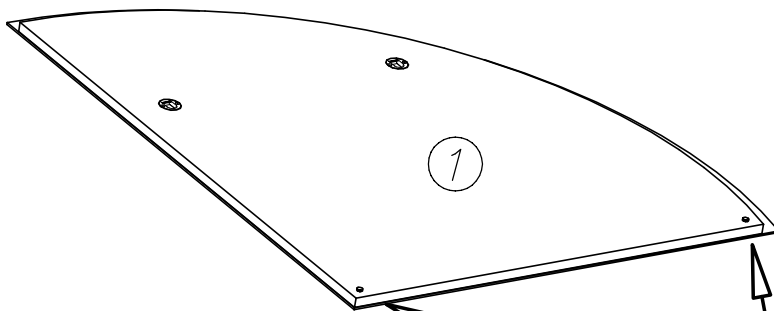


II

W4

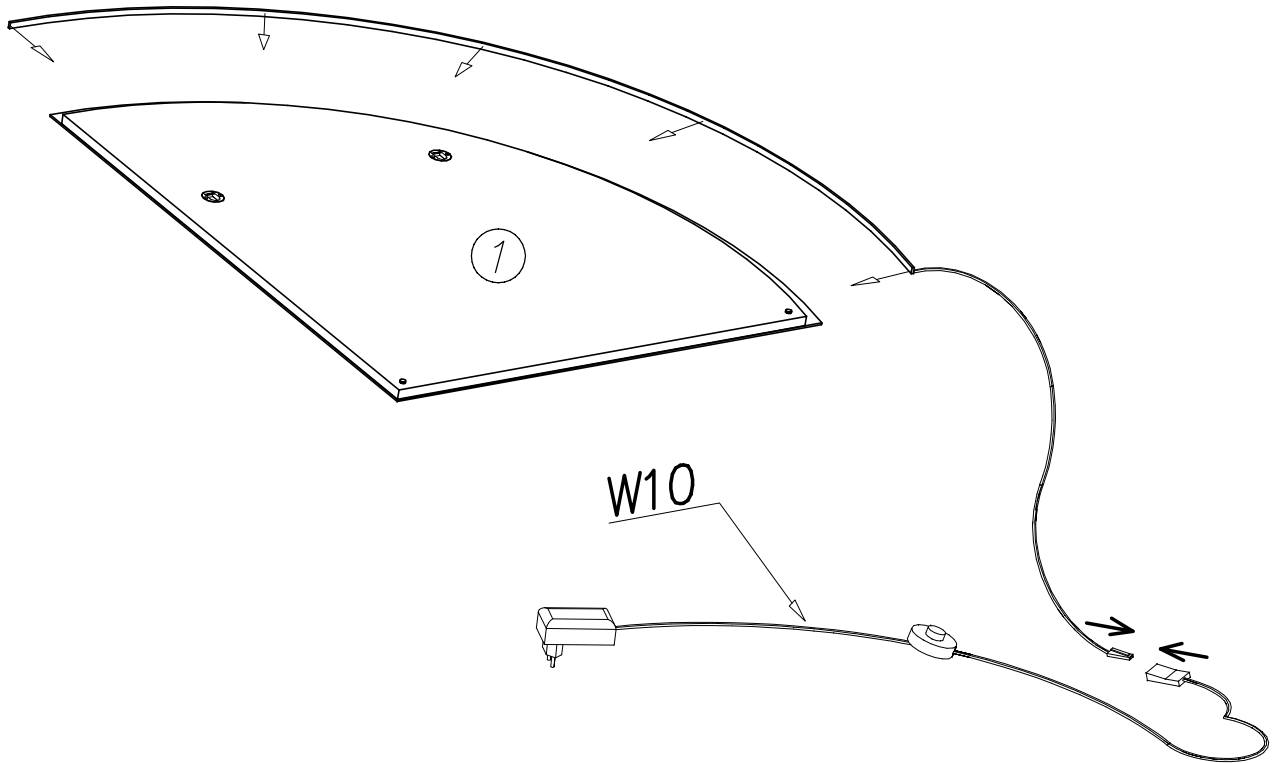
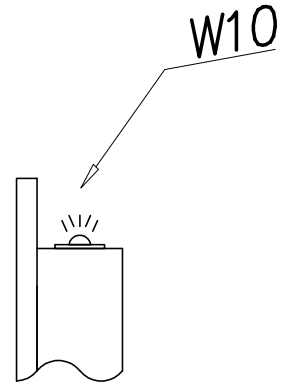
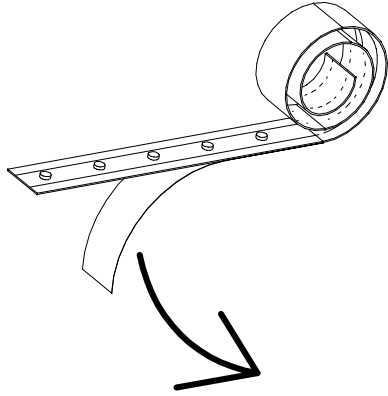


2x



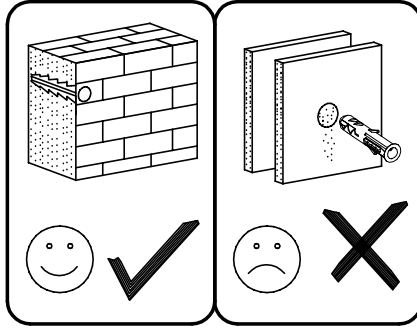


III

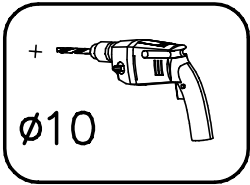




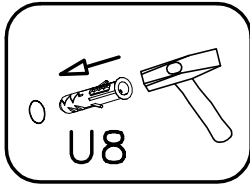
## IV



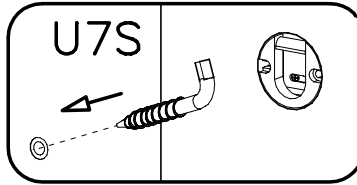
1



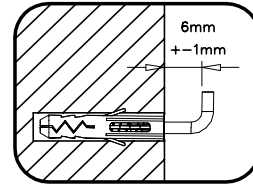
2



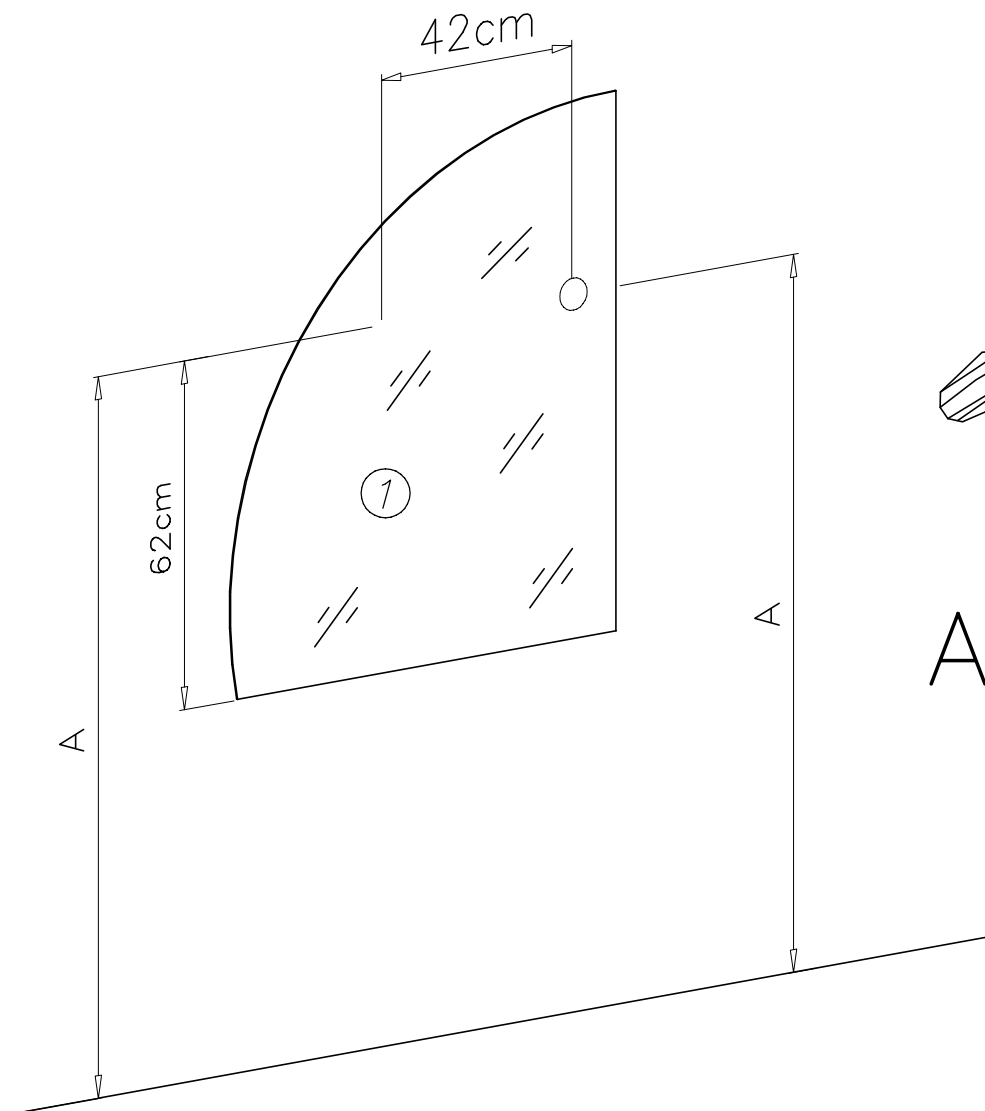
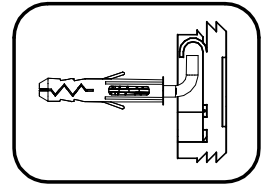
3



4



5



A = A

