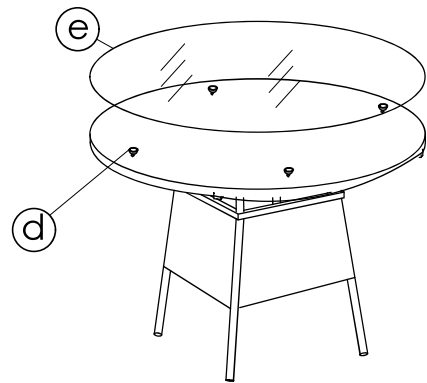
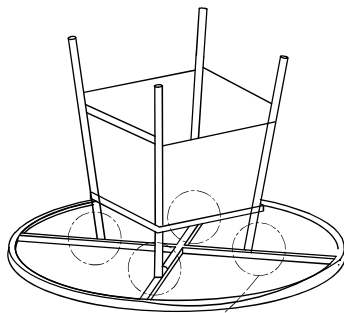
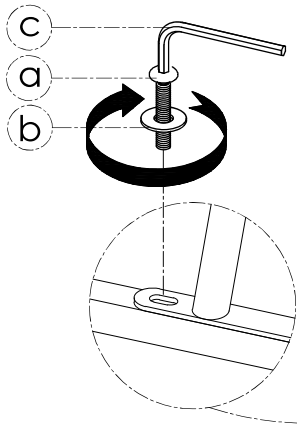


ASSEMBLY INSTRUCTIONS



HARDWARE LIST	
Ⓒ BOLT M6X25	4 PCS
Ⓓ	4 PCS
Ⓒ ALLEN WRENCH	1 PC
Ⓓ	4 PCS
Ⓔ	1 PC