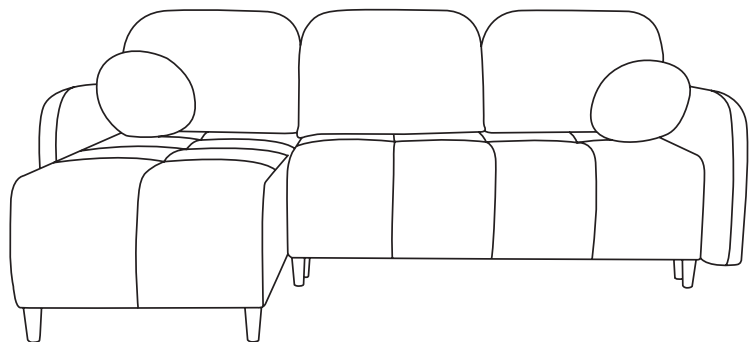


BLAISE

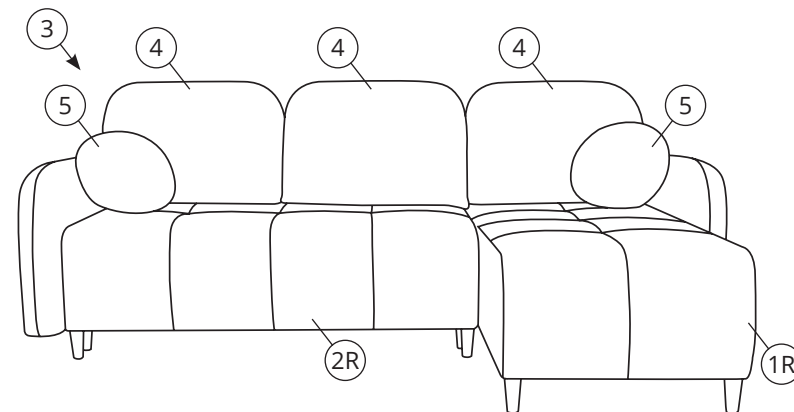
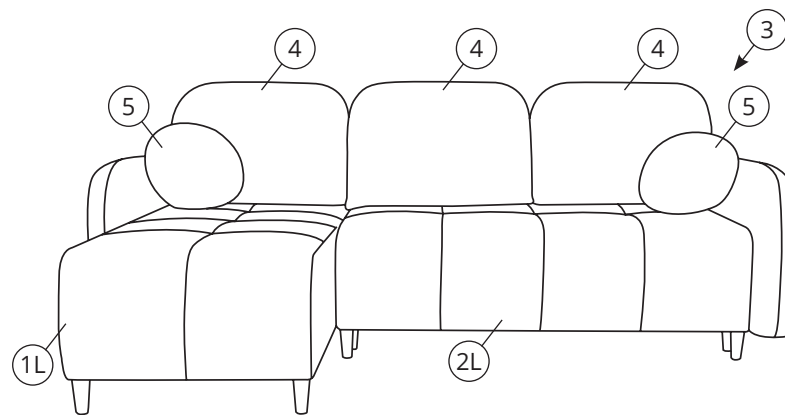
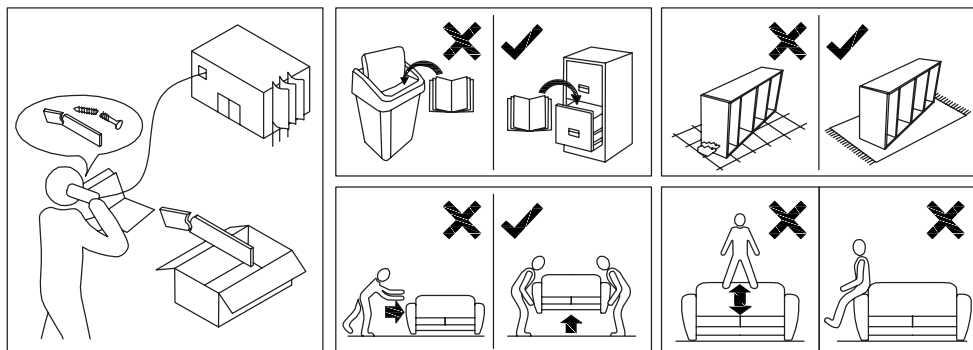


2022-10-05



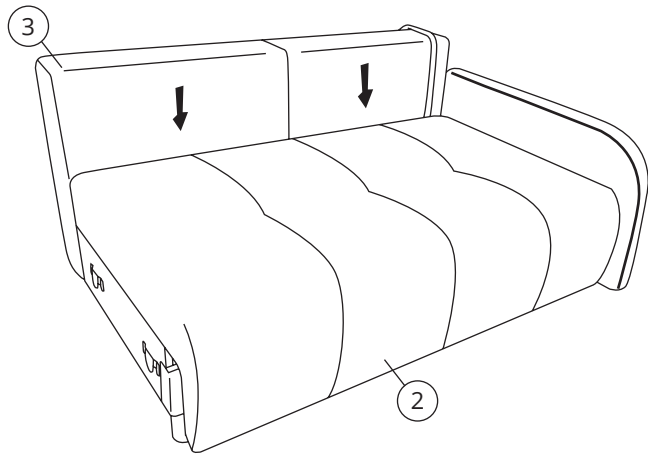
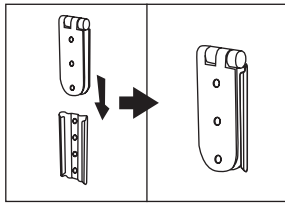
45 min.

- | | |
|----------------------------------|------------------------------|
| (D) Montageanleitung | (GB) Assembly Instructions |
| (FR) Notice de montage | (IT) Istruzioni di montaggio |
| (NL) Handleiding voor de montage | (PL) Instrukcja montażu |
| (CZ) Montážní návod | (SK) Návod na montáž |
| (HU) Szerelési útmutató | (RO) Instrucțiuni de montaj |
| (TR) Montaj talimatı | (RU) Инструкции по монтажу |

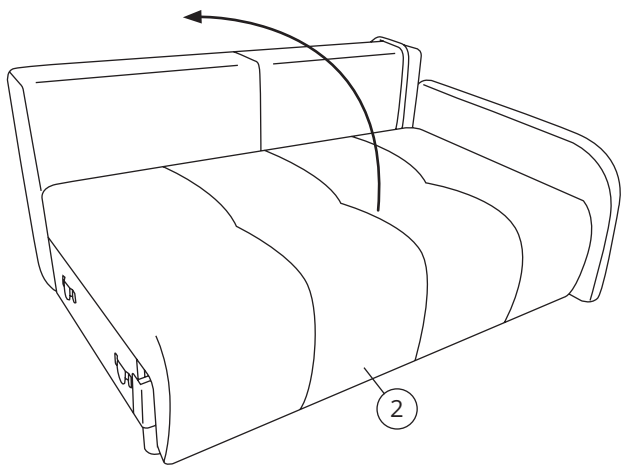


- | | | |
|-----|------------|------------|
| FL | GT1 | GT2 |
| | h = 100 mm | h = 100 mm |
| | | |
| x10 | x6 | x4 |

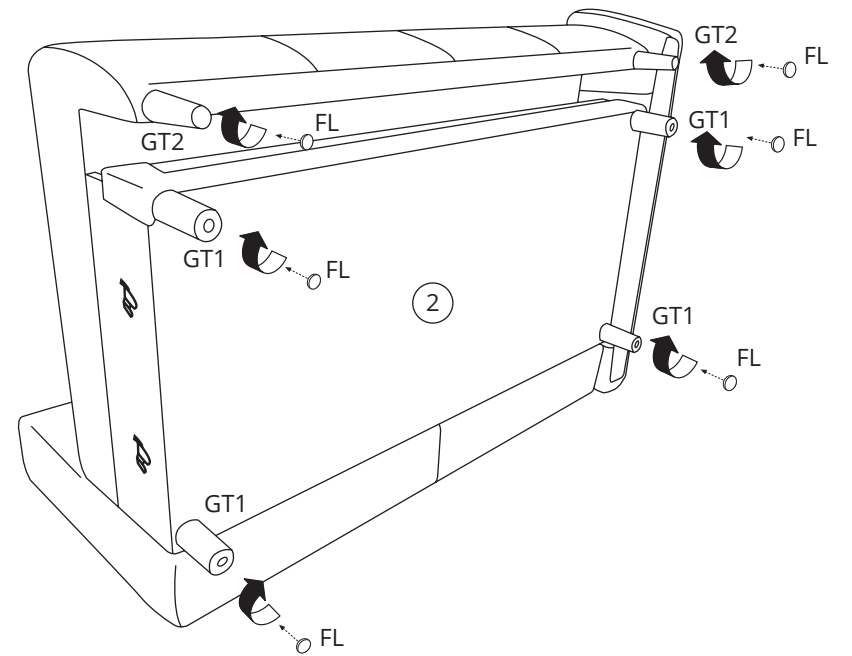
1



2

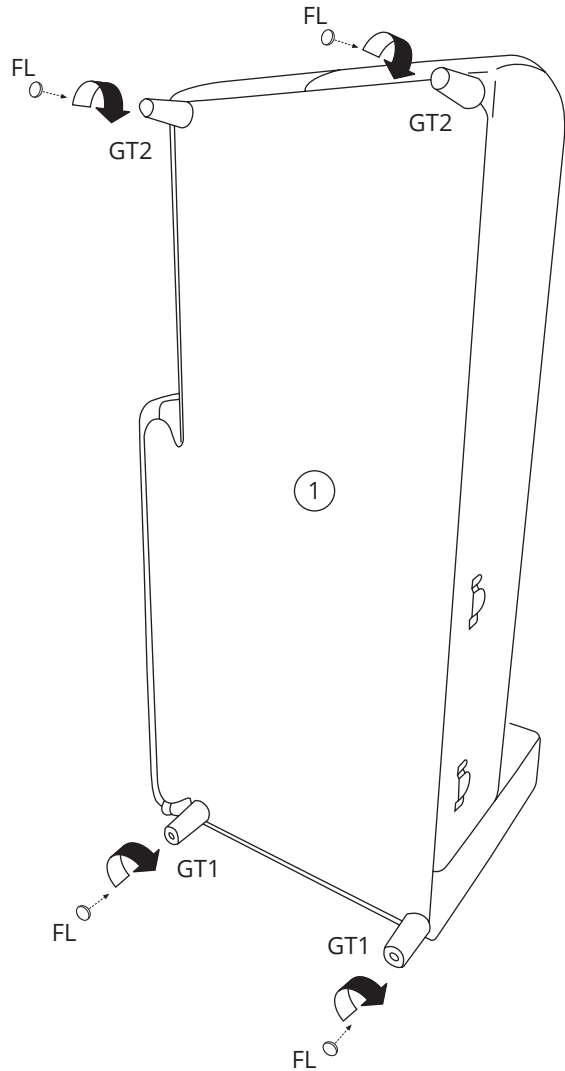





3



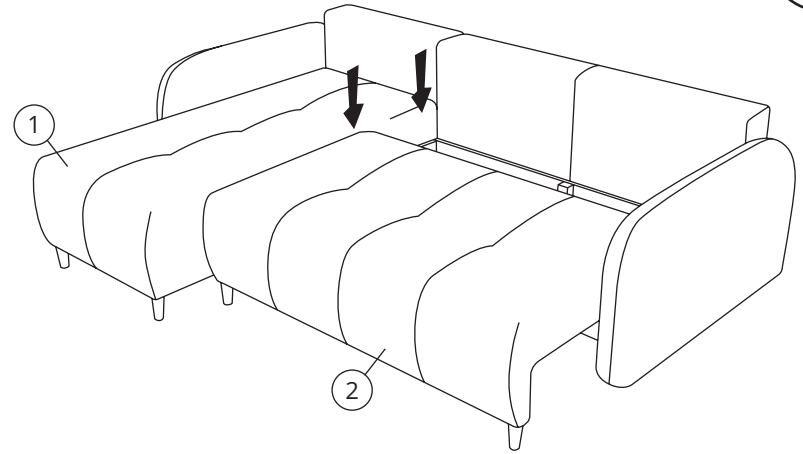
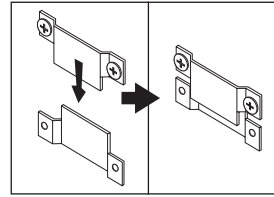
- | | | |
|----|-------------------|-------------------|
| FL | GT1
h = 100 mm | GT2
h = 100 mm |
| | | |
| x6 | x4 | x2 |

4

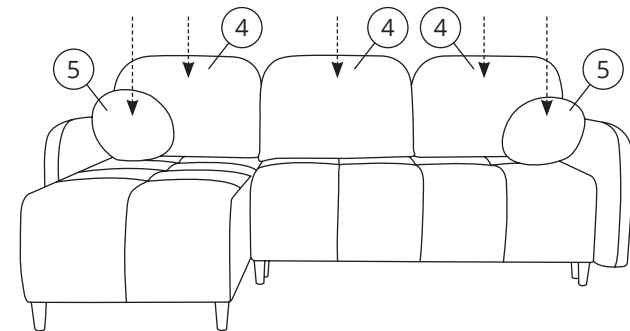
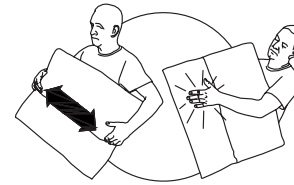


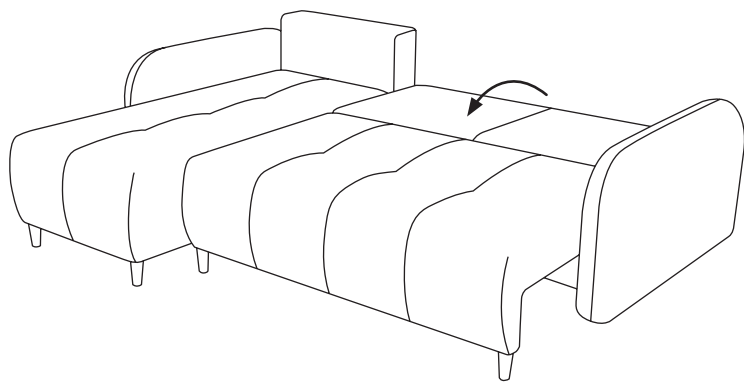
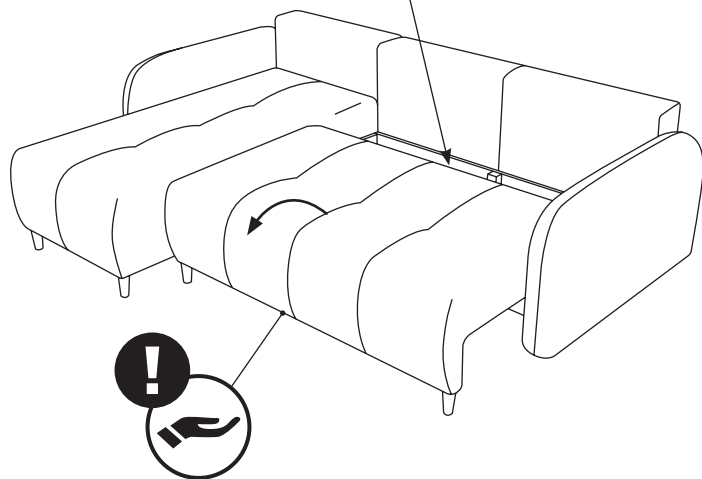
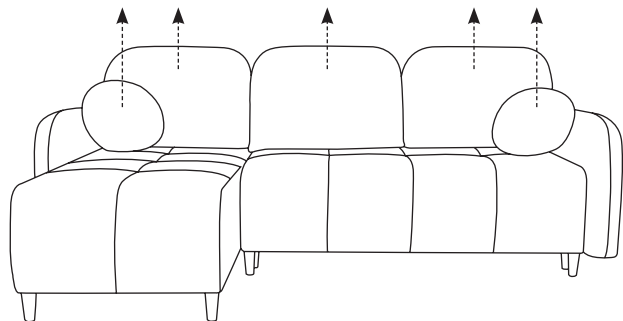
- FL
- GT1
h = 100 mm
- GT2
h = 100 mm
-  x4
-  x2
-  x2

5

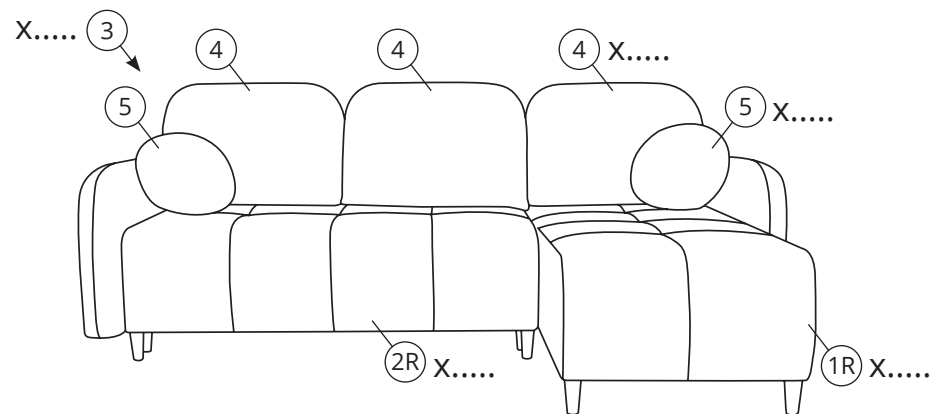
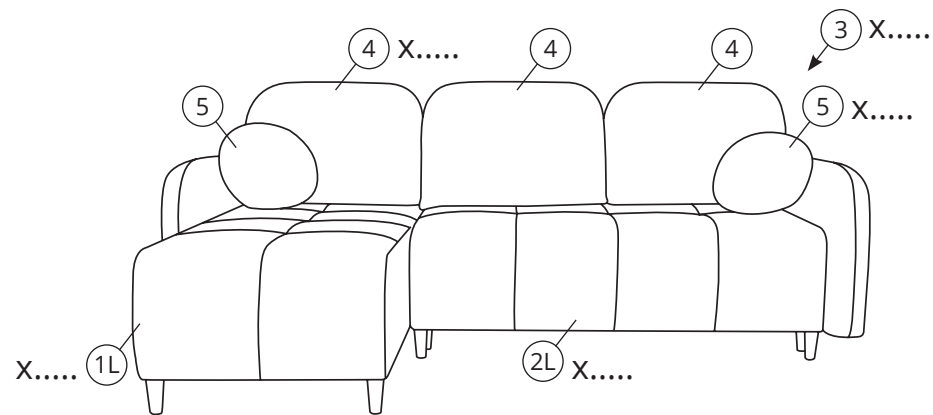


6





KARTA SERWISOWA / SERVICE FORM / SERVICEKARTE



FL

GT1
h = 100 mm

GT2
h = 100 mm



X.....

X.....

X.....

