



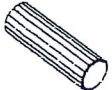



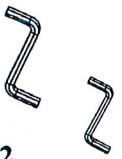
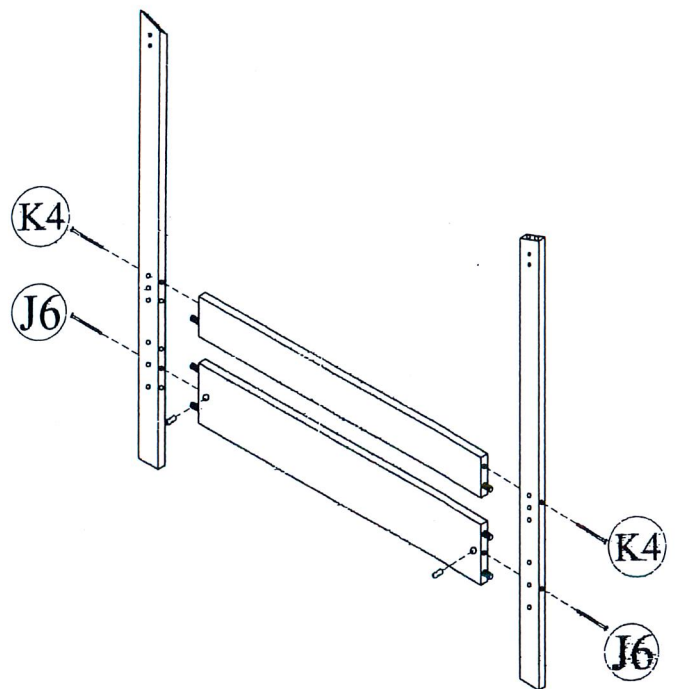
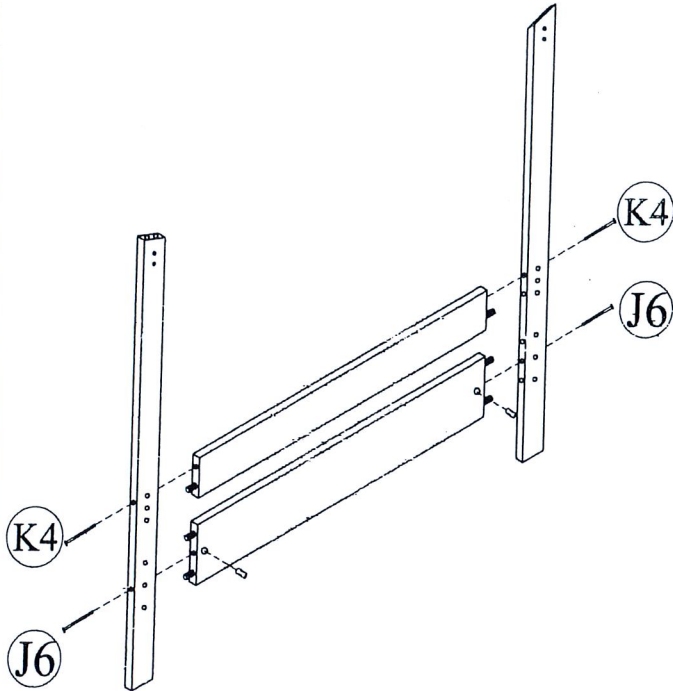
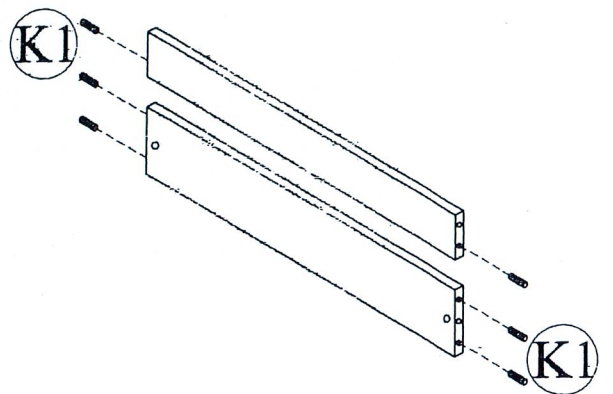
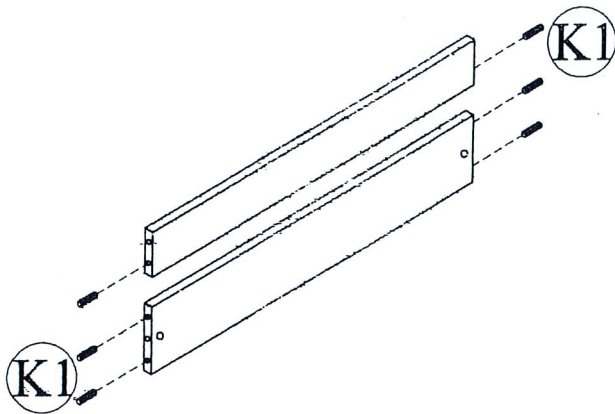
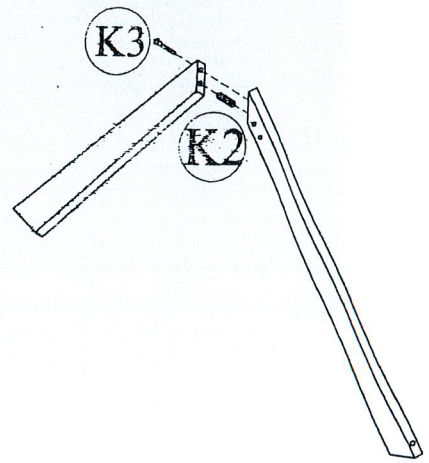
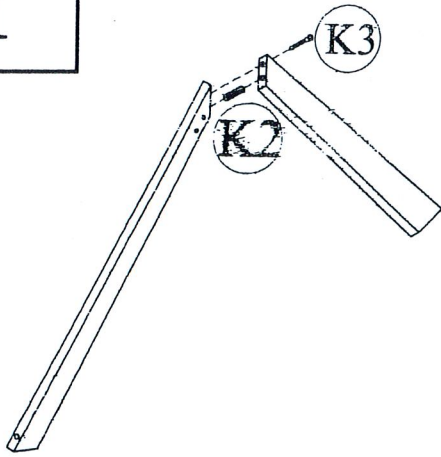


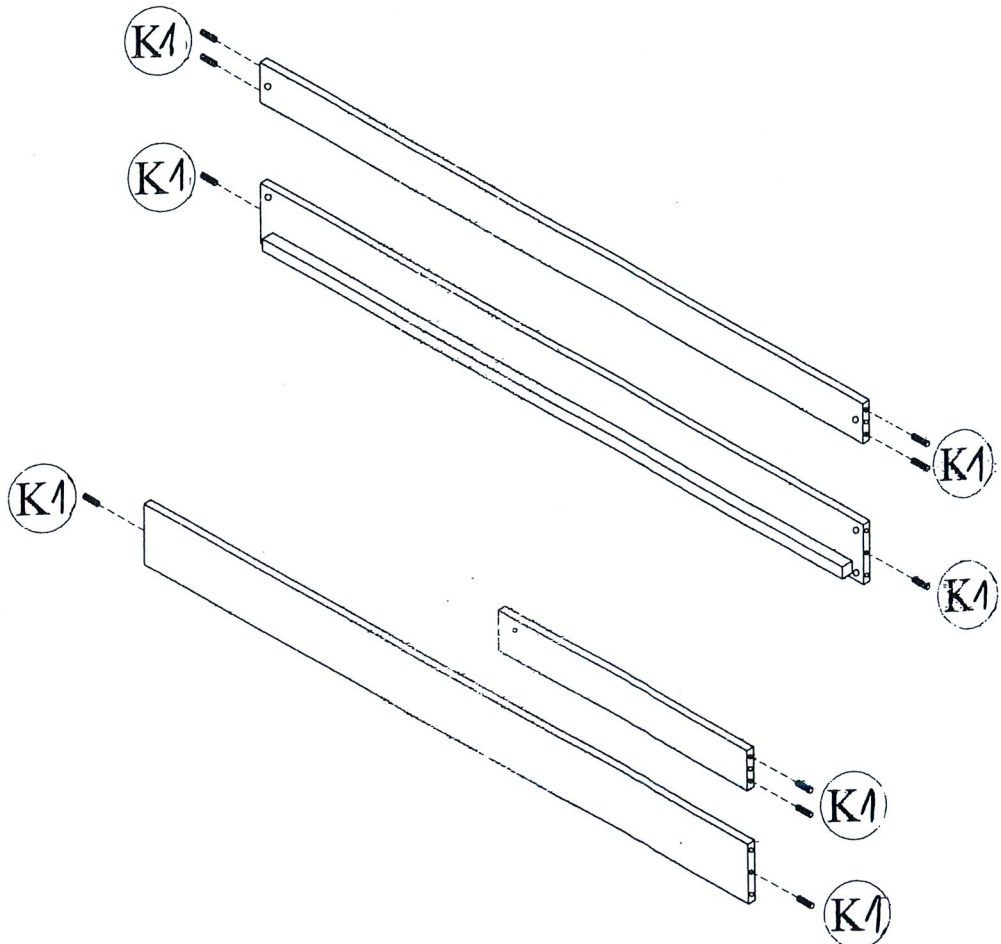
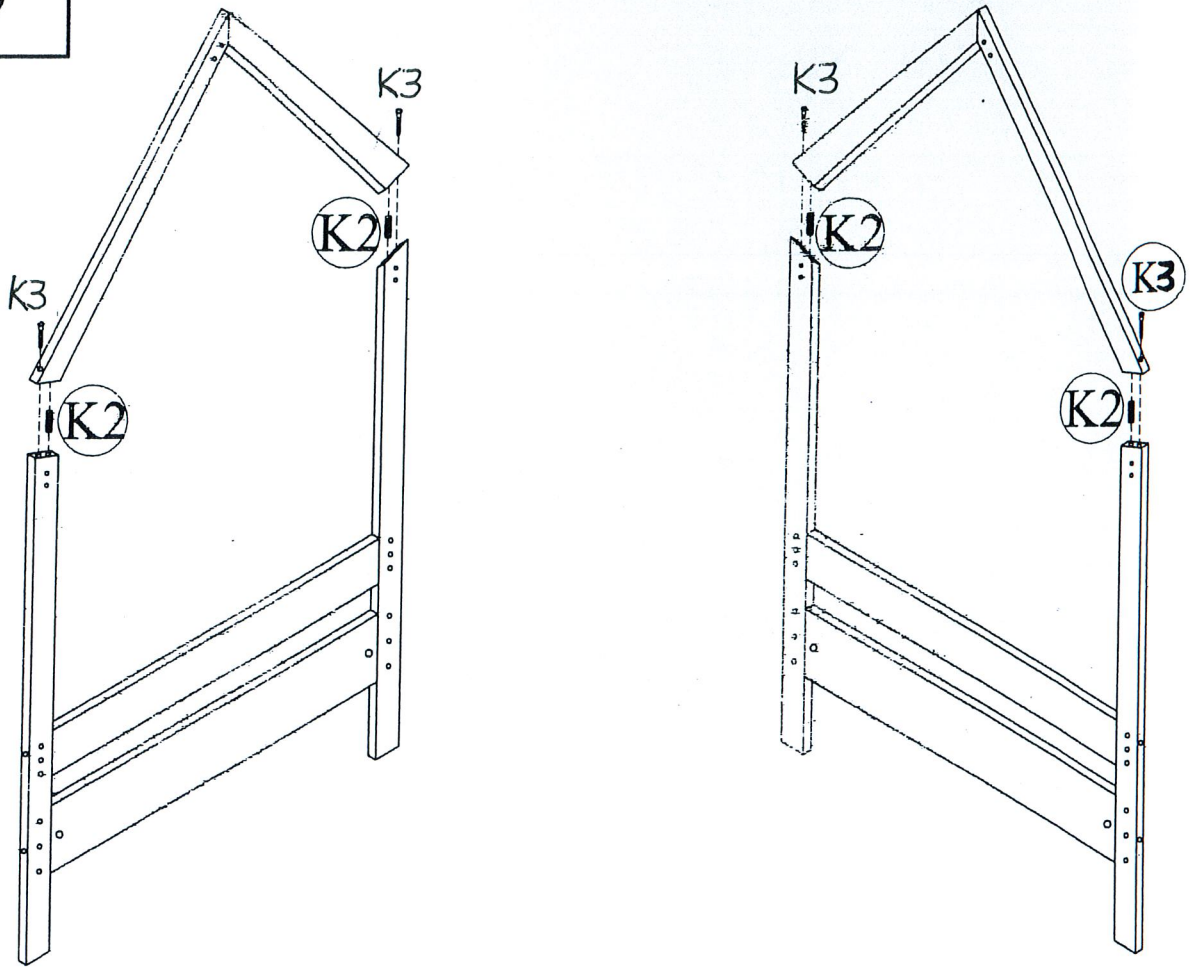
<p>J4</p>  <p>M6x50 x2</p>	<p>J5</p>  <p>M6x70 x11</p>	<p>J6</p>  <p>M6x100 x4</p>	<p>K1</p>  <p>ø 8x40 x22</p>
<p>K2</p>  <p>ø 10x40 x6</p>	<p>K3</p>  <p>6,3x60 x18</p>	<p>K4</p>  <p>6,3x100 x4</p>	<p>P8</p>  <p>x2</p>  <p>x2</p>

1



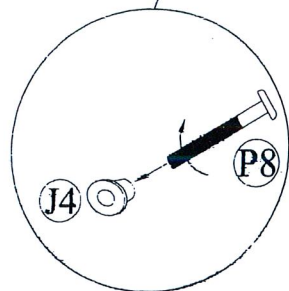
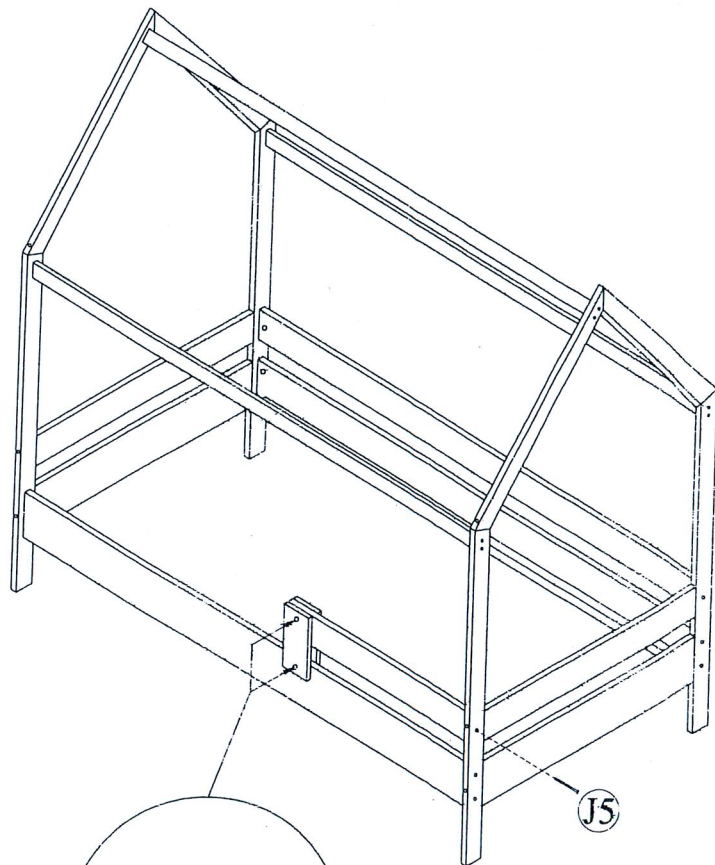
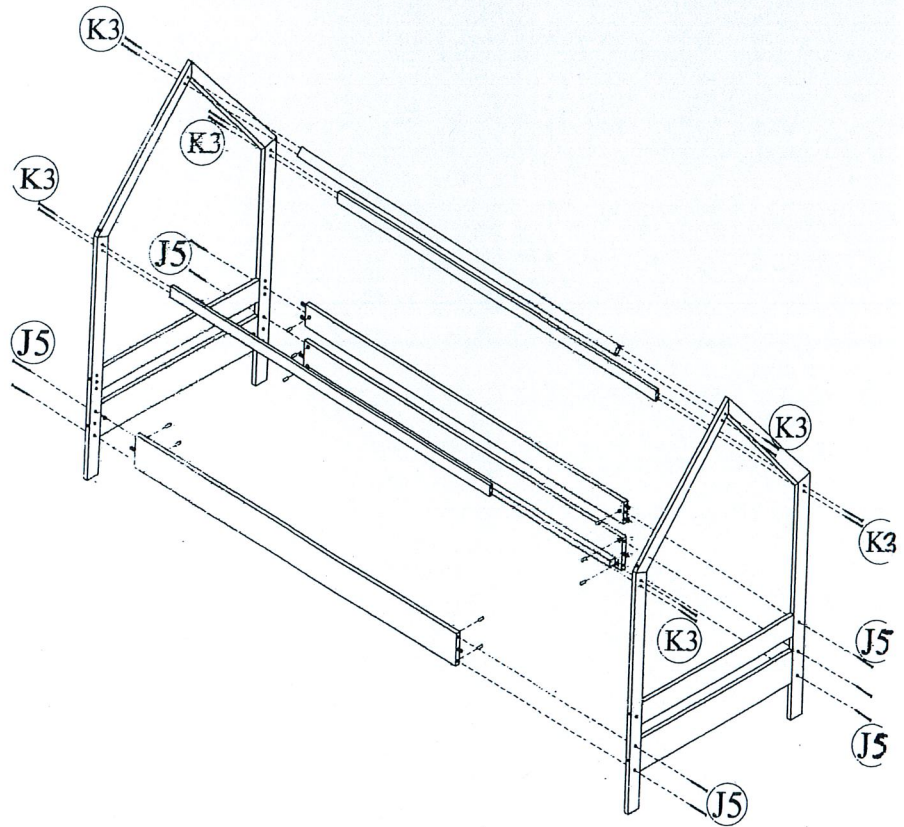
2

3



4

5



6