



(D) Montageanleitung

(GB) Assembly instructions

(FR) Notice de montage

(TR) Montaj talimatı

(IT) Istruzioni di montaggio

(NL) Handleiding voor de montage

(RU) Инструкция по монтажу

(CZ) Montážní návod

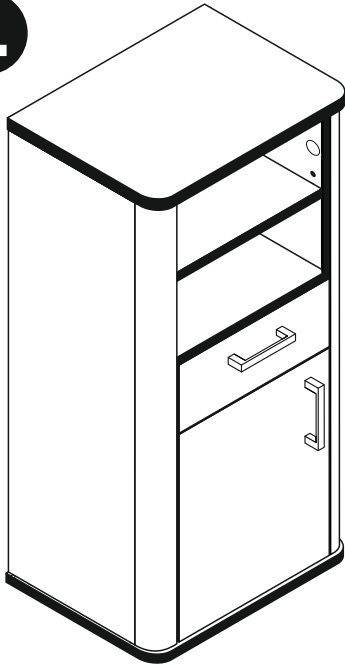
(HU) Szerelési útmutató

(RO) Instrucțiuni de montaj

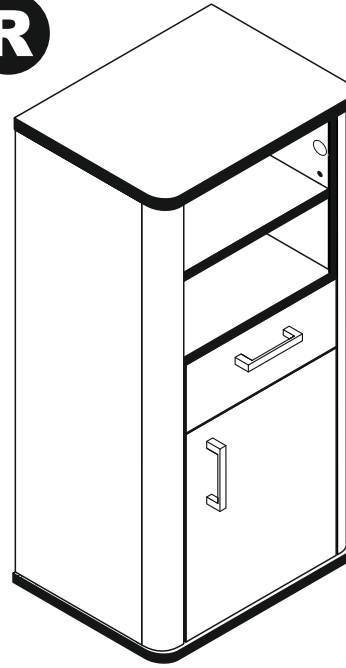
(PL) Instrukcja montażu

(SK) Návod na montáž

**L**



**R**



# 0473\_11

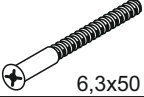




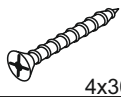



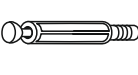

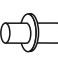
## Beistellschrank

REPC-Nr.:

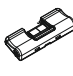
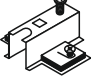

Service • Assistenza • Dienstverlening • Serwis  
Servis • Szerviz • Сервисная служба

|  |  |  |  |
|--|--|--|--|
|  |  |  |  |
|  |  |  |  |
|  |  |  | <p>Colli 1/1: ① ② ③ ④ ⑤ ⑥ ⑦ ⑧ ⑨ ⑩ ⑪ ⑫ ⑬ ⑭<br/>⑮ ⑯ ⑰ ⑱ ⑳ Beutel 1/3, 2/3, 3/3</p> |





## Beutel 1/3

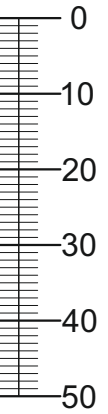
|             |  |            |  |             |  |             |  |             |  |              |  |
|-------------|--|------------|--|-------------|--|-------------|--|-------------|--|--------------|--|
| 1-10<br>4x  |  6,3x50 | 1-30<br>6x |  3x16   | 1-70<br>2x  |  3x30   | 1-80<br>6x  |  3,5x13 | 1-90<br>14x |  3,5x20 | 1-140<br>12x |  4x30 |
| 1-200<br>4x |  6,3x13 | 2-08<br>4x |  h=10mm | 2-10<br>18x |  h=12mm | 2-20<br>22x |  1x     | 2-120<br>1x |  8x     | 2-160<br>8x  |  8x   |

## Beutel 2/3

|            |   |            |   |            |   |
|------------|---|------------|---|------------|---|
| 3-07<br>1x |  | 3-25<br>2x |  45° | 3-26<br>2x |  45° |
|------------|---|------------|---|------------|---|

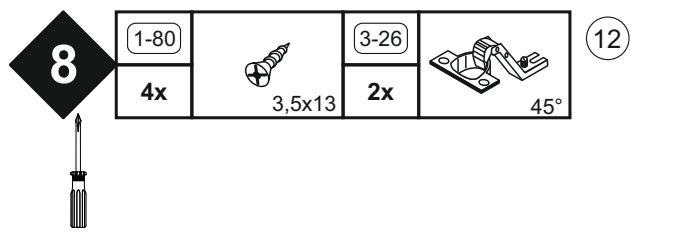
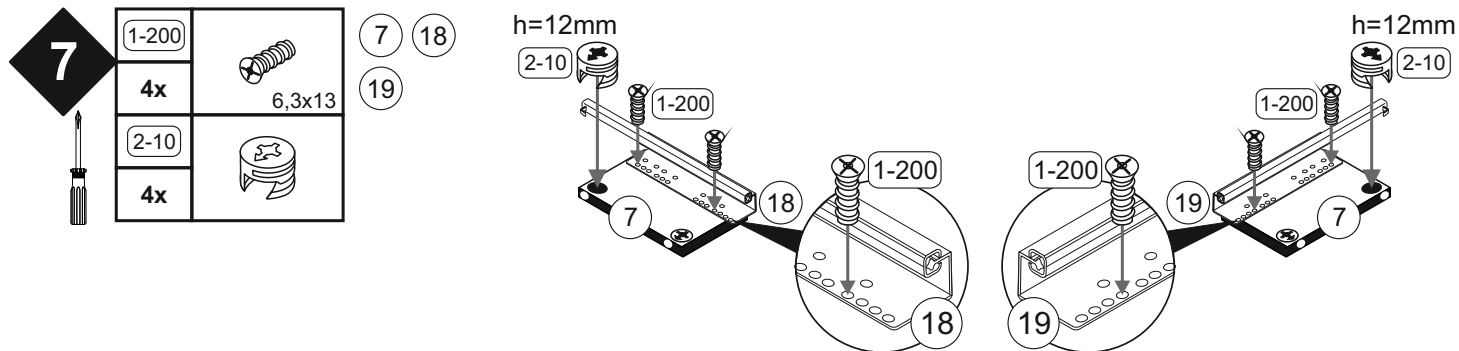
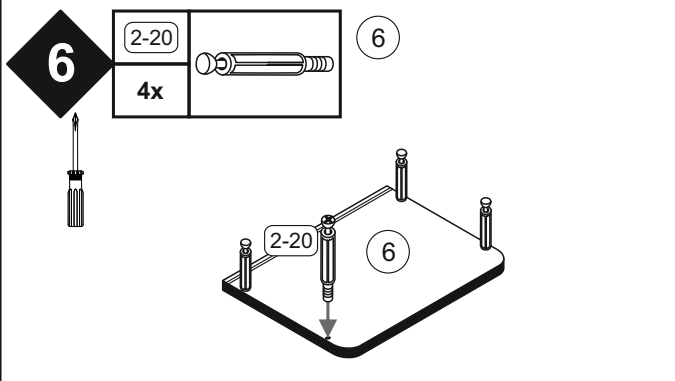
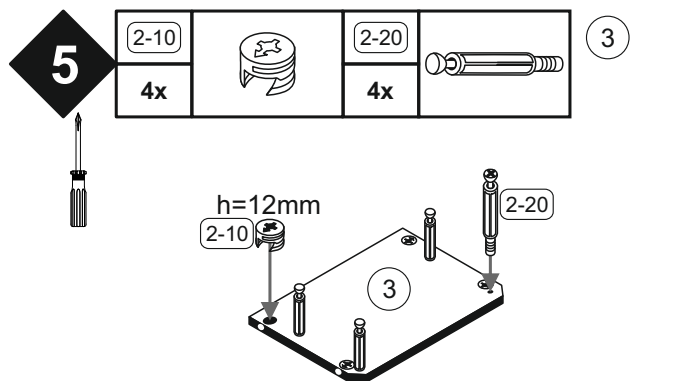
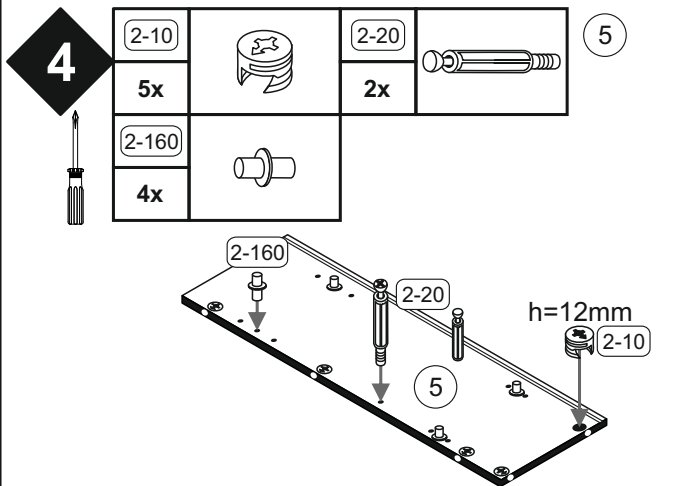
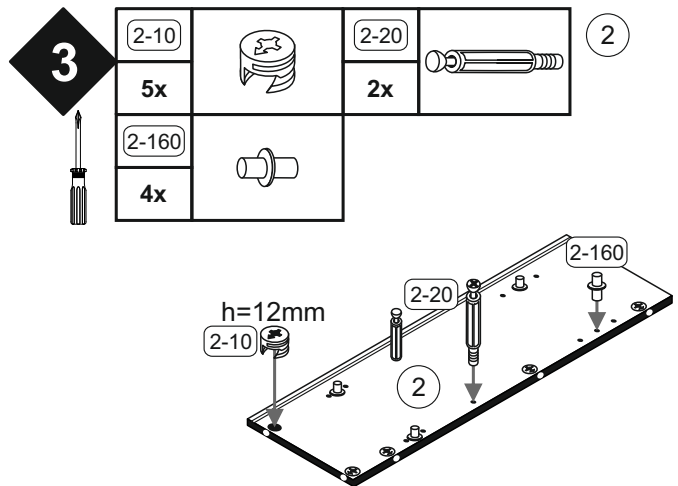
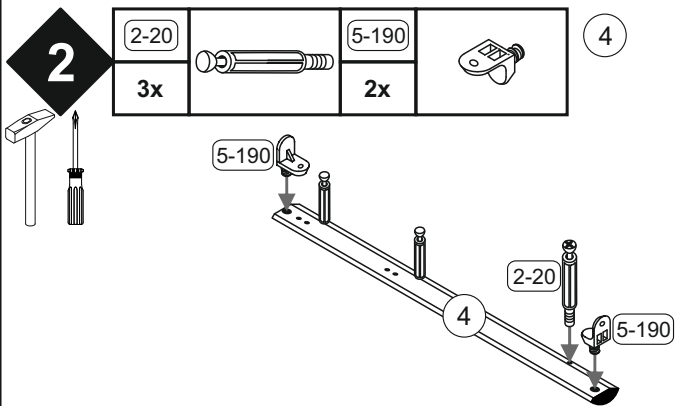
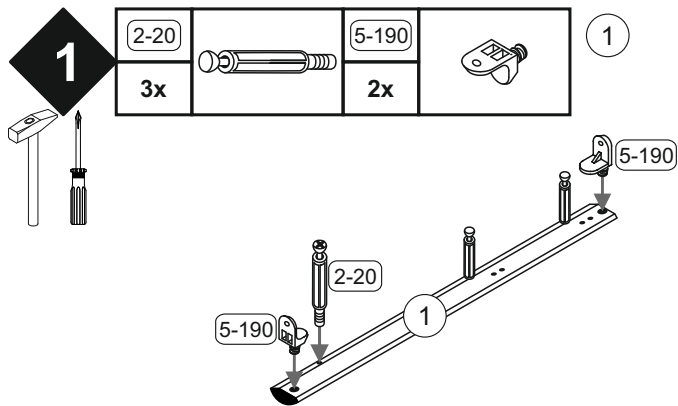
## Beutel 3/3

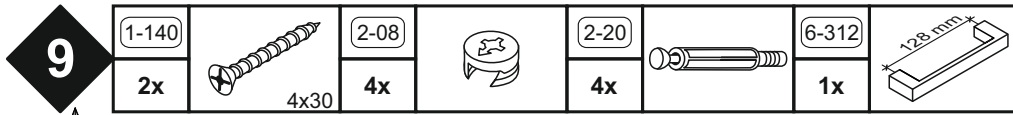
|            |   |              |   |             |   |             |   |
|------------|---|--------------|---|-------------|---|-------------|---|
| 5-20<br>6x |  | 5-185<br>10x |  | 5-190<br>4x |  | 6-312<br>2x |  128mm |
|------------|---|--------------|---|-------------|---|-------------|---|



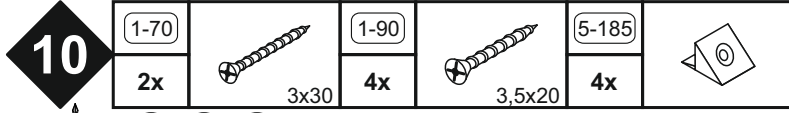
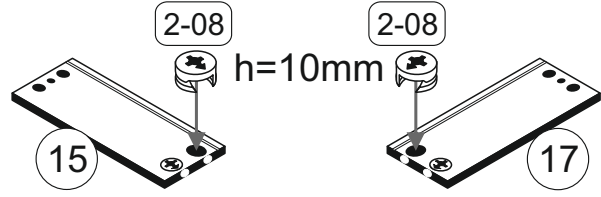
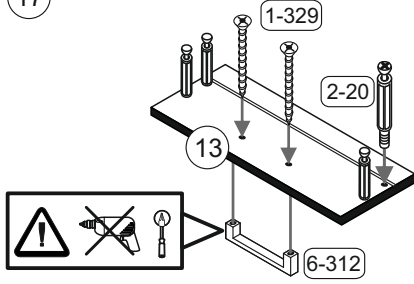
## Colli 1/1

1 1x (1218 x 85)  
 2 1x (1218 x 349)  
 3 1x (508 x 377)  
 4 1x (1218 x 85)  
 5 1x (1218 x 349)  
 6 1x (543 x 412)  
 7 2x (174 x 236)  
 8 2x (1230 x 260)  
 9 3x (500 x 50)  
 10 1x (543 x 412)  
 11 2x (508 x 332)  
 12 1x (572 x 414)  
 13 1x (414 x 188)  
 14 1x (388 x 350)  
 15 1x (350 x 120)  
 16 1x (378 x 120)  
 17 1x (350 x 120)  
 18 1x  
 19 1x  
 20 4x

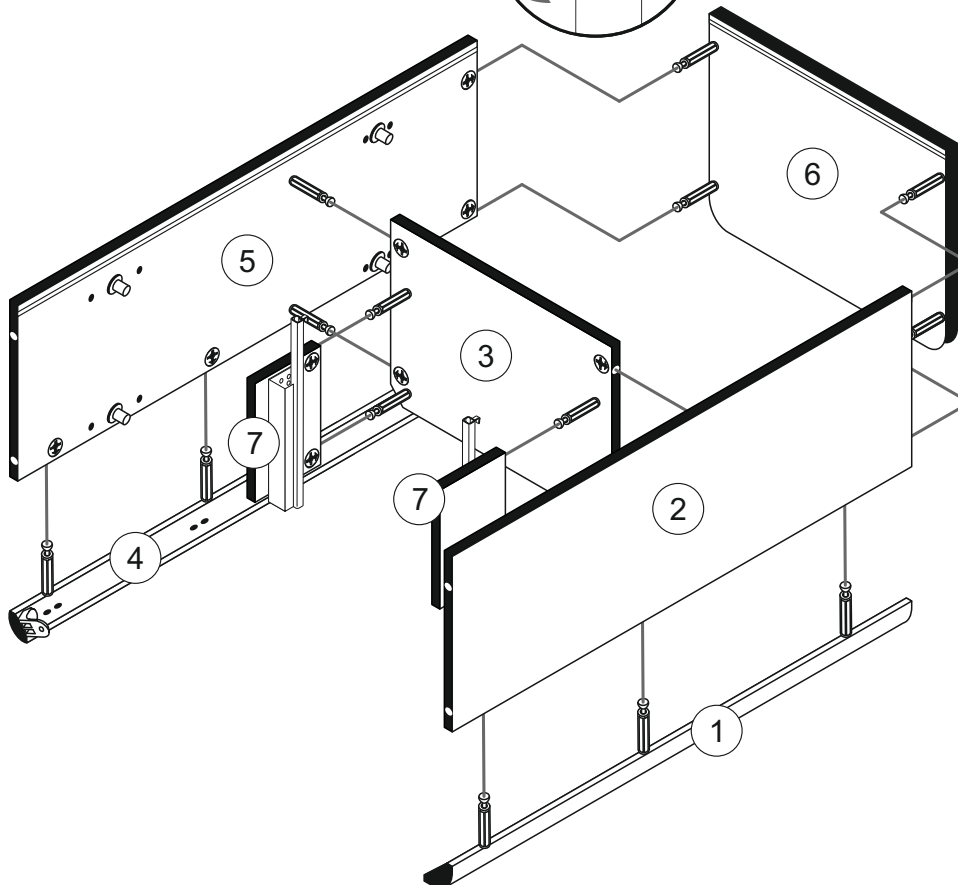
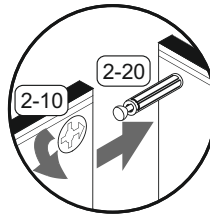
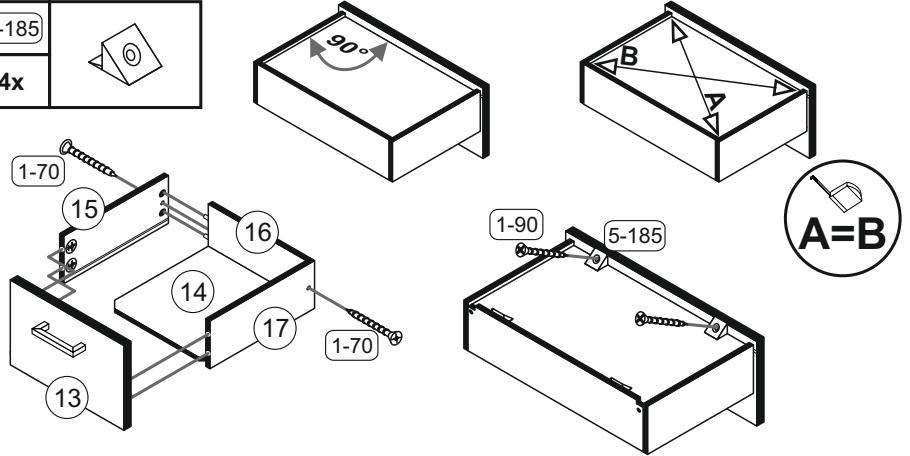
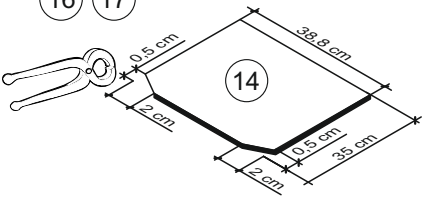
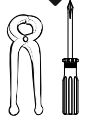




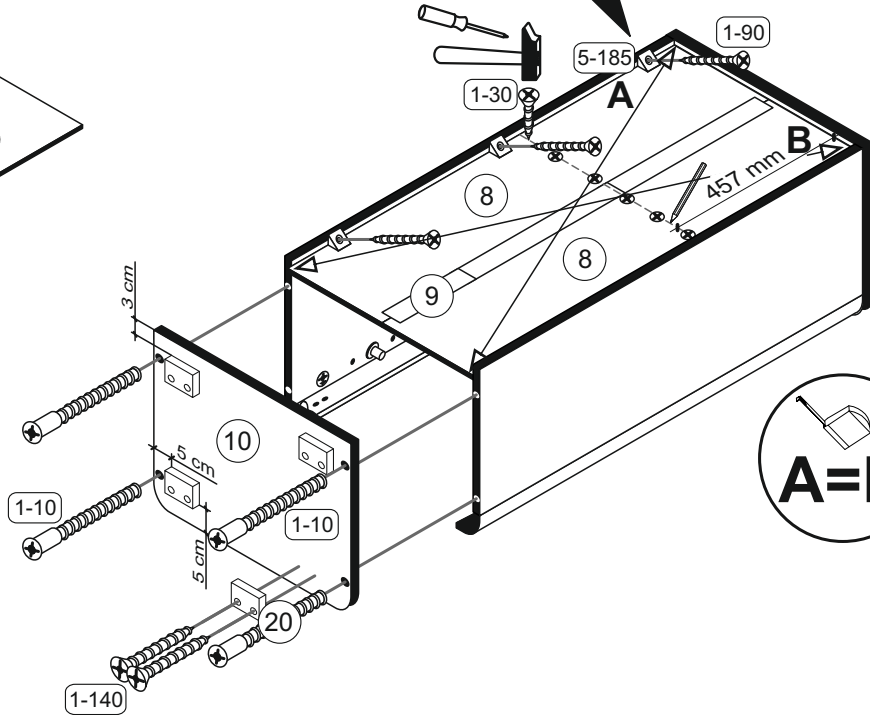
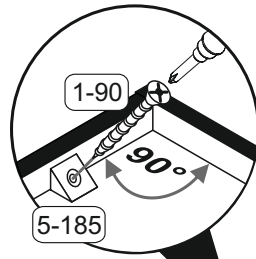
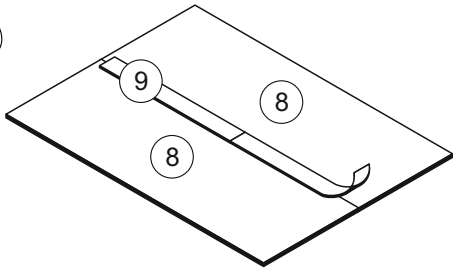
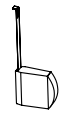
13 15 17



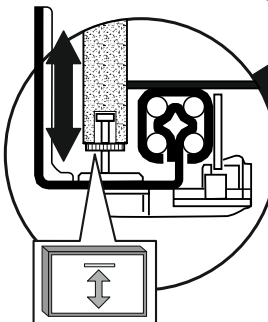
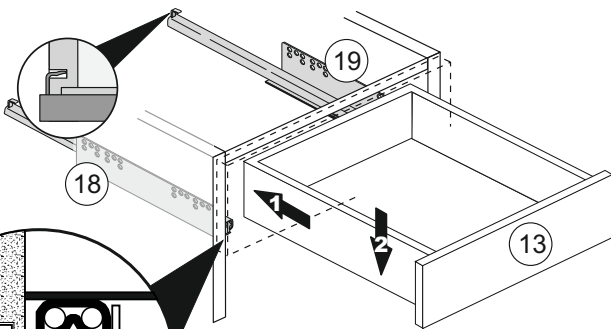
13 14 15  
16 17



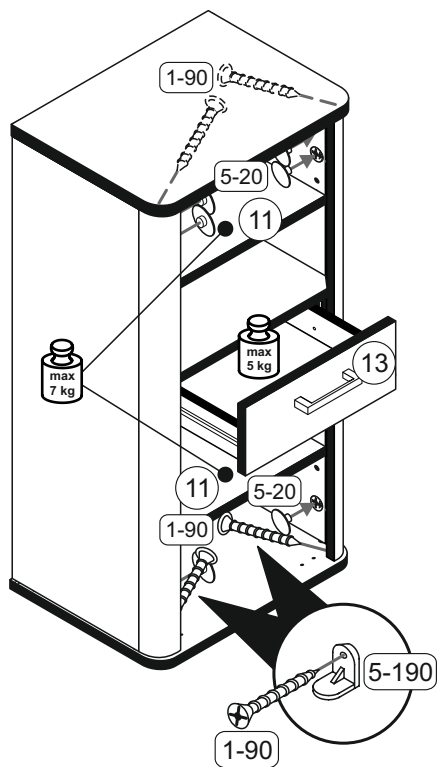
|    |       |        |       |      |      |        |
|----|-------|--------|-------|------|------|--------|
| 12 | 1-10  |        | 1-30  |      | 1-90 |        |
|    | 4x    | 6,3x50 | 6x    | 3x16 | 6x   | 3,5x20 |
|    | 1-140 |        | 5-185 |      |      |        |
|    | 8x    | 4x30   | 6x    |      |      |        |



|    |      |        |      |  |
|----|------|--------|------|--|
| 13 | 1-90 |        | 5-20 |  |
|    | 4x   | 3,5x20 | 6x   |  |



Höhenverstellung des Schubkastens

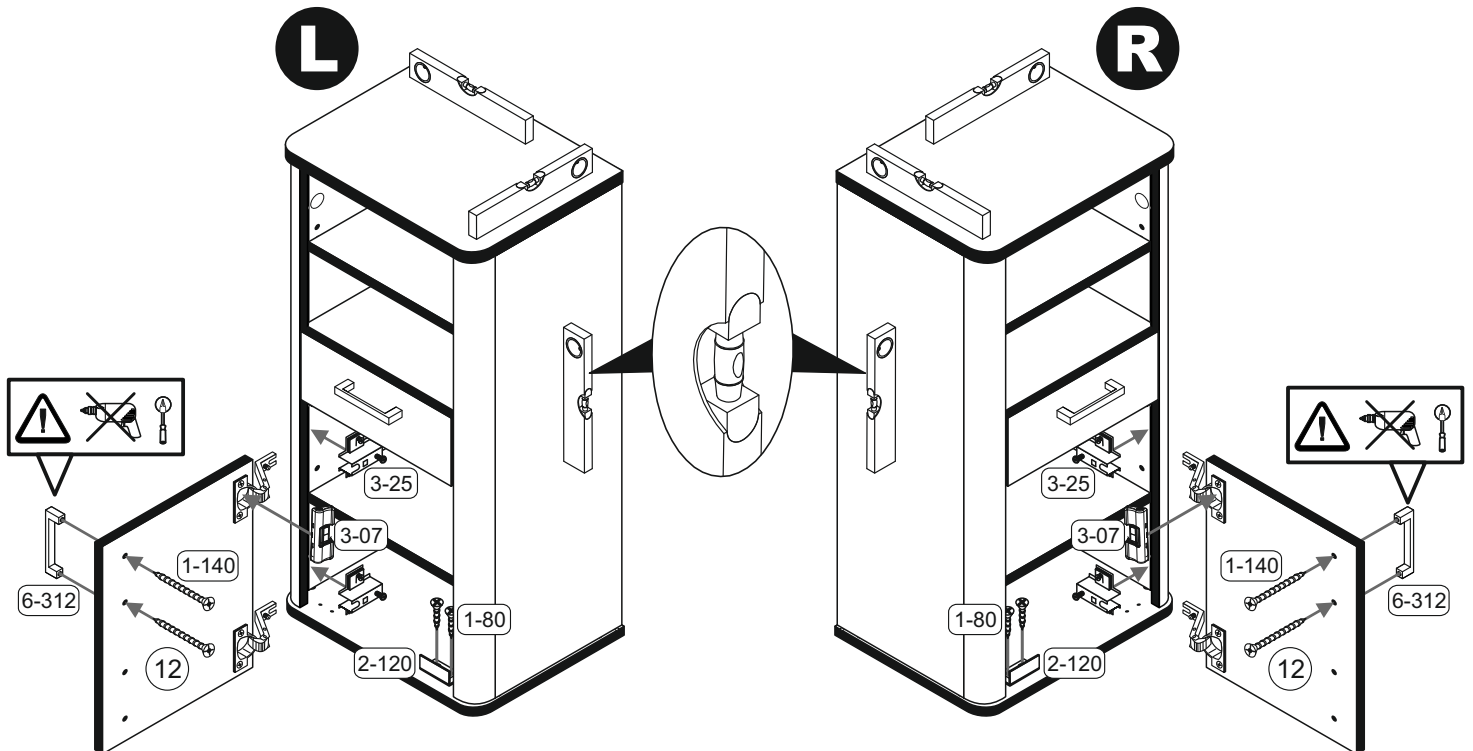
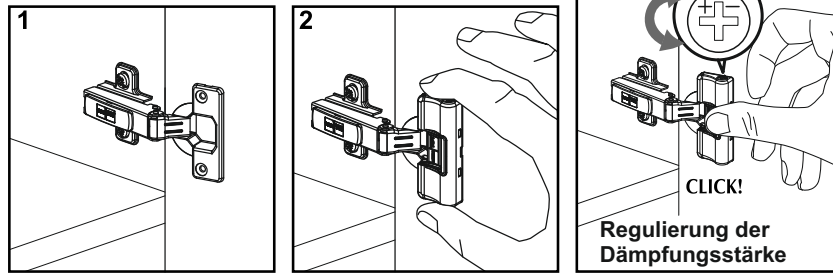


14



|      |        |       |      |      |  |      |  |       |  |       |  |
|------|--------|-------|------|------|--|------|--|-------|--|-------|--|
| 1-80 |        | 1-140 |      | 3-07 |  | 3-25 |  | 2-120 |  | 6-312 |  |
| 2x   | 3,5x13 | 2x    | 4x30 | 1x   |  | 2x   |  | 1x    |  | 1x    |  |

## Montage der Türdämpfung



**Türen einstellen (Scharniere justieren)**  
 Adjusting the doors (adjusting the hinges)  
 Régler les portes (ajuster les charnières)  
 Sistemare le porte (regolare le cerniere)  
 Deuren instellen (scharnieren afstellen)  
 Nastawić drzwi (wyregulować zawiasy)  
 Vyrovnajte dvířka (seřid'te závěsy)  
 Nastavenie dverí (nastavenie závesov)  
 Állítsa be az ajtókat (állítsa be a zsanérokot)  
 Reglare ușii (ajustare balamale)  
 Kapıların ayarlanması (mentşelerin seviye ayarı)  
 Регулировка дверей (регулировка шарнира)

