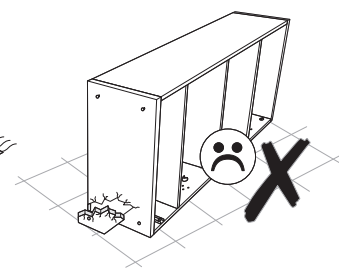
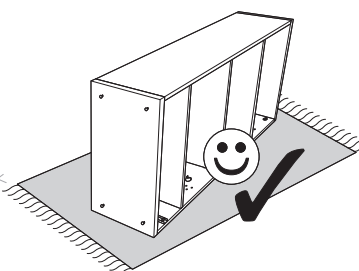
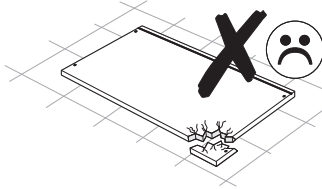
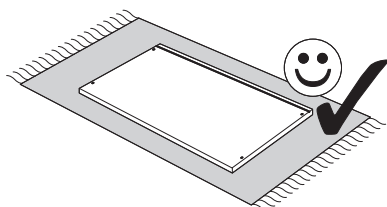
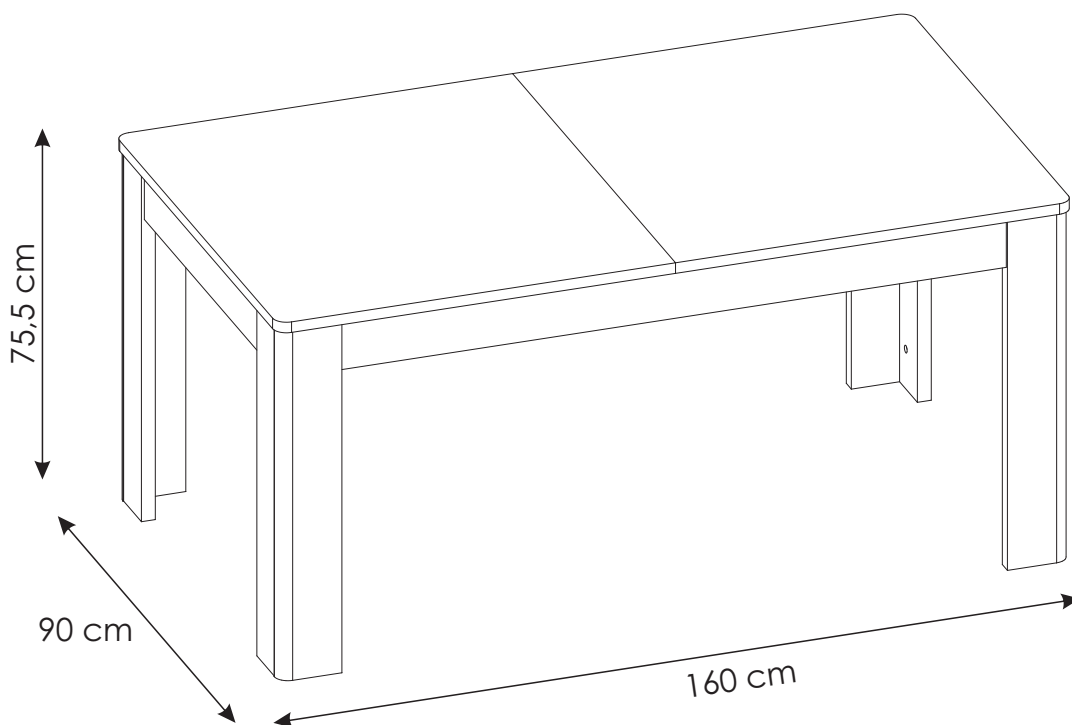
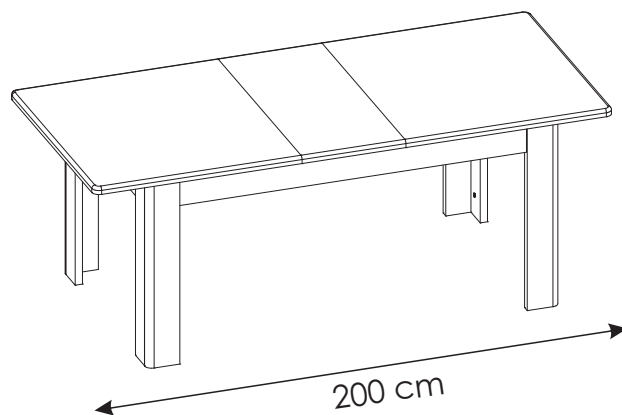
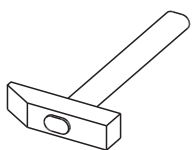
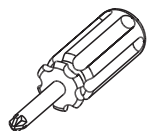
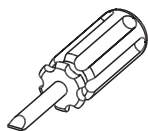
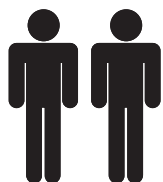
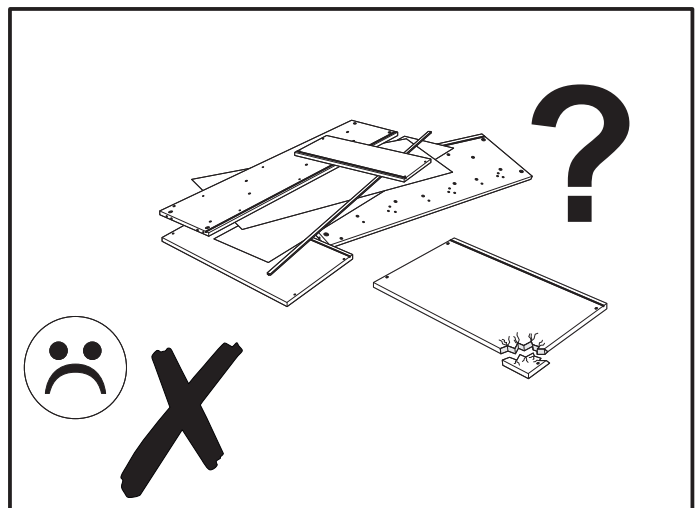
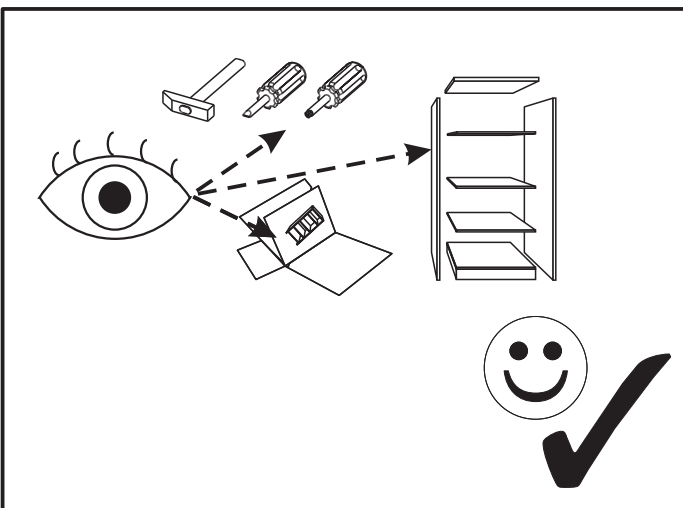
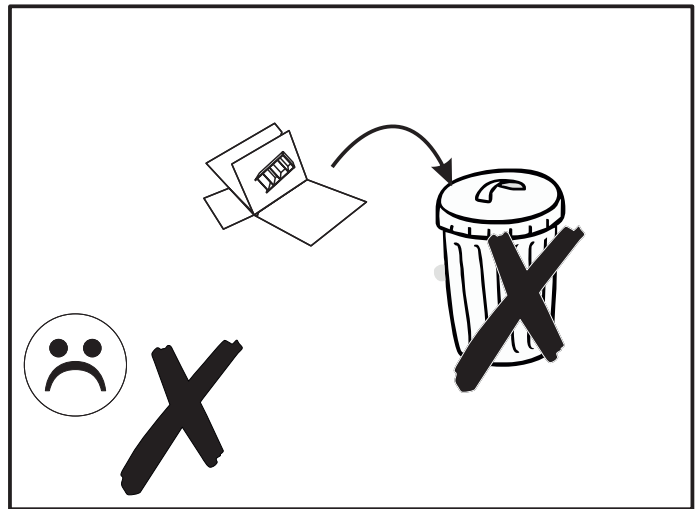
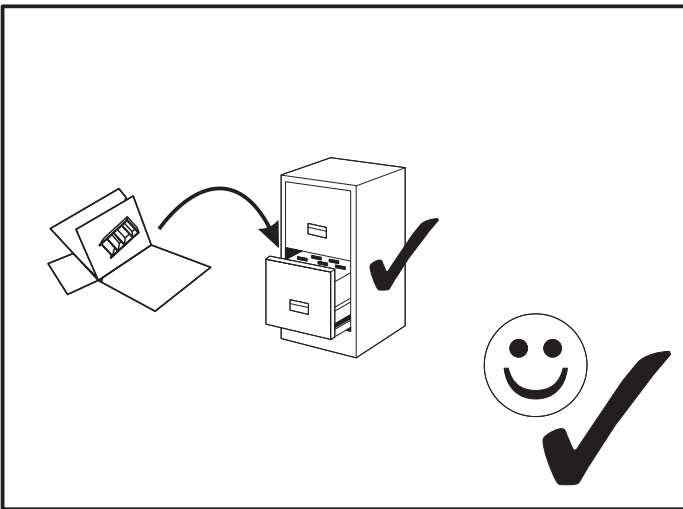
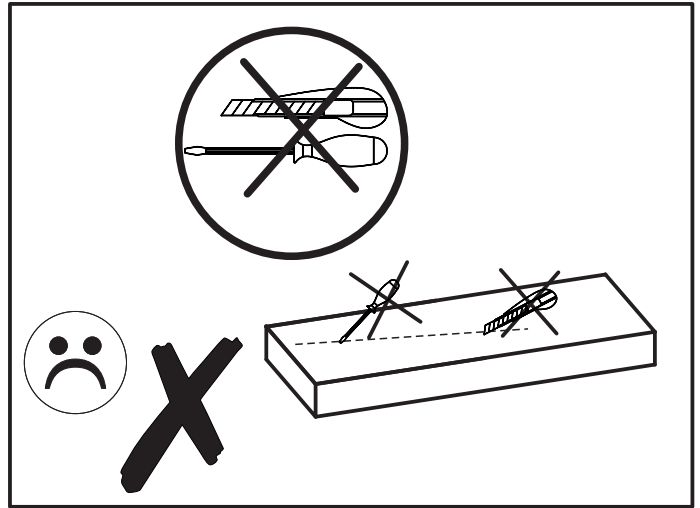
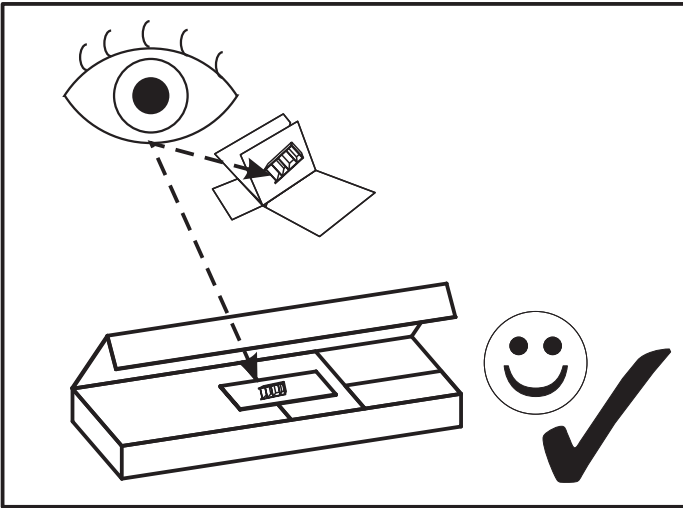

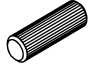


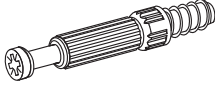
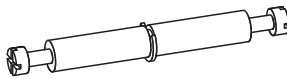


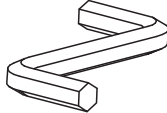
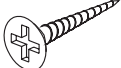
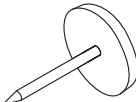

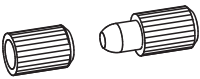
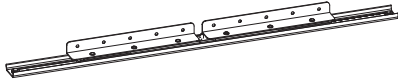
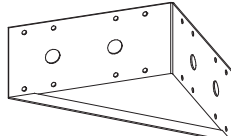


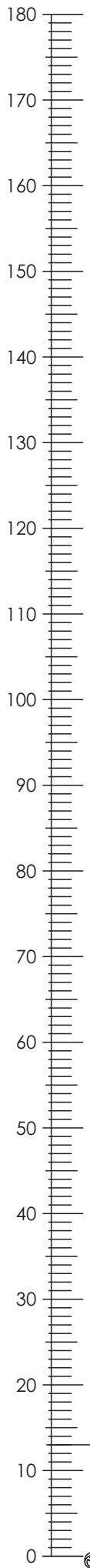
CNAT03



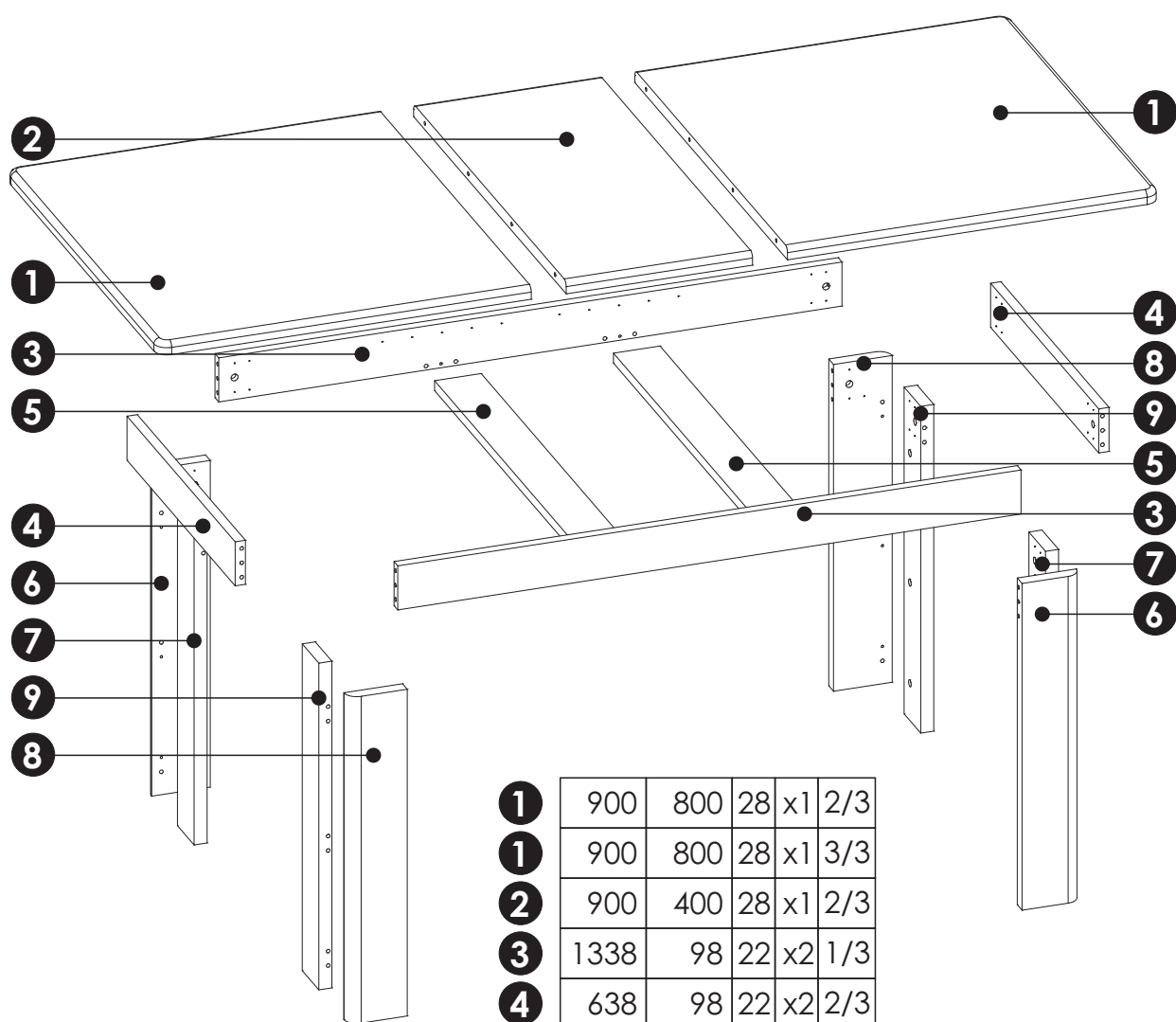


CNAT03

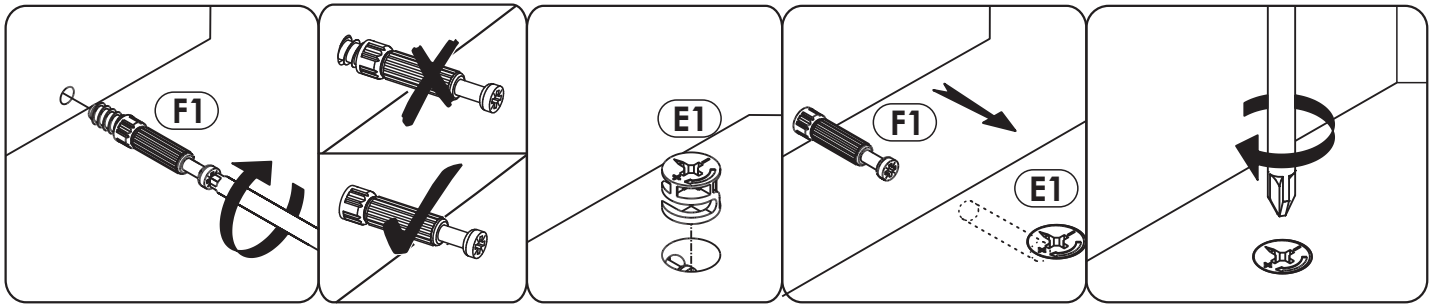
A1 8 x 35 mm x20 	A2 8 x 45 mm x16 	E0 x32 
E1 15 x 12,5 mm x32 	F1 6 x 34 mm x16 	F3 7 x 58 mm x8 
I2 4 x 16 mm x64 	I8 4 x 20 mm x20 	M x1 
N2 3,5 X 16 mm x20 	O2 x8 	O2A ø20 x4 
R8 x8 	T0 L-700 x2 	W x4 



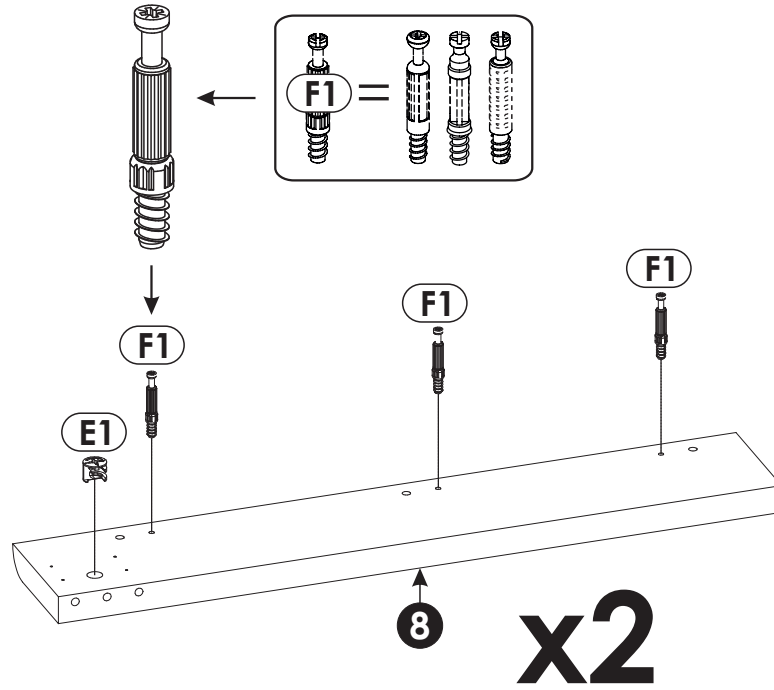
CNAT03



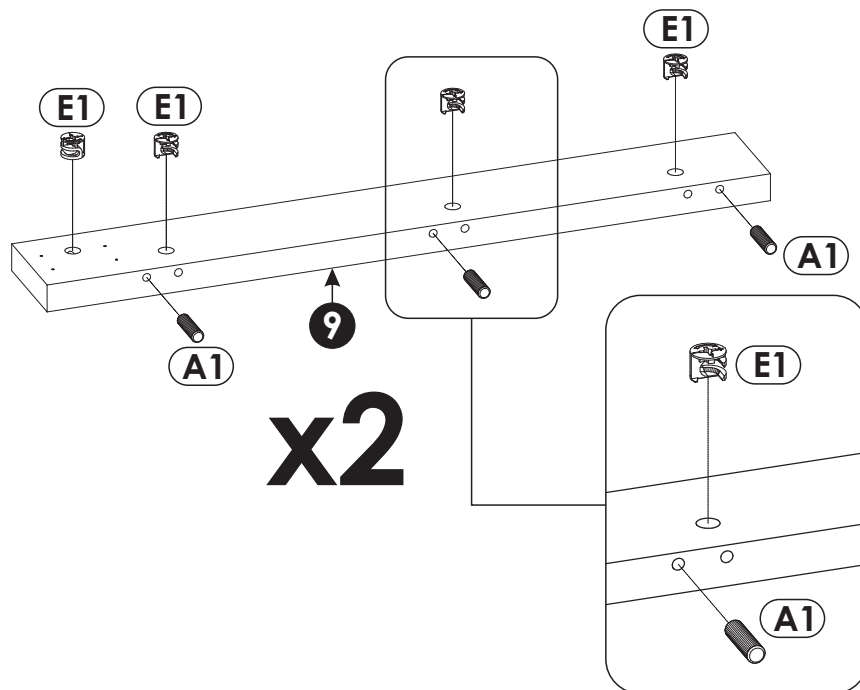
1	900	800	28	x1	2/3
1	900	800	28	x1	3/3
2	900	400	28	x1	2/3
3	1338	98	22	x2	1/3
4	638	98	22	x2	2/3
5	834	100	22	x2	1/3
6	721	126	28	x2	1/3
7	721	98	28	x2	1/3
8	721	126	28	x2	1/3
9	721	98	28	x2	1/3



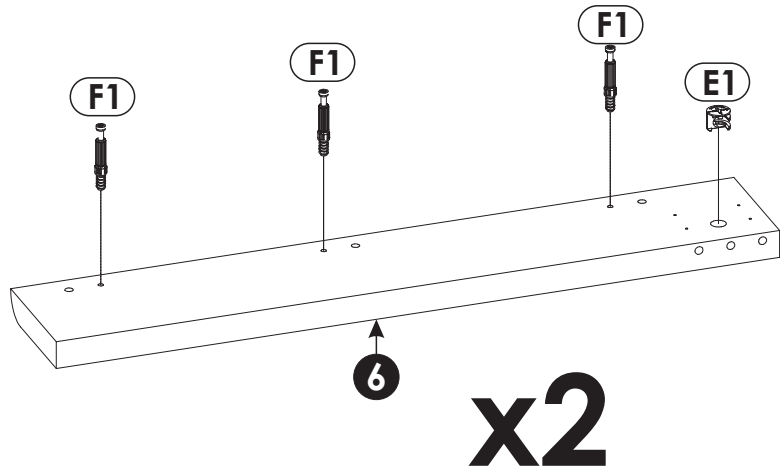
1▶



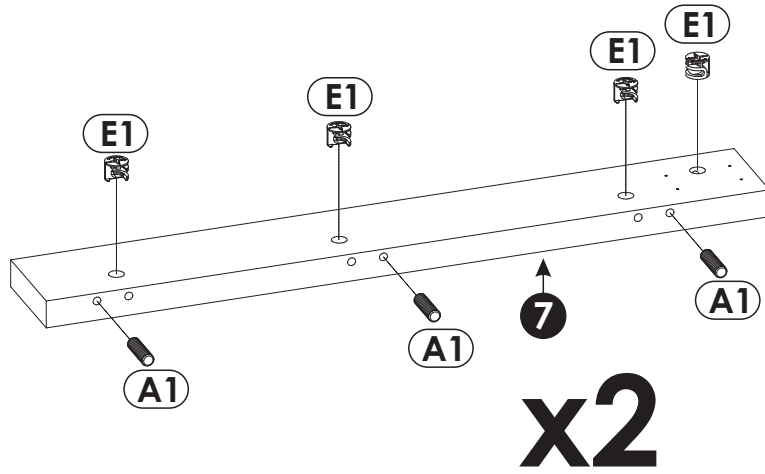
2▶



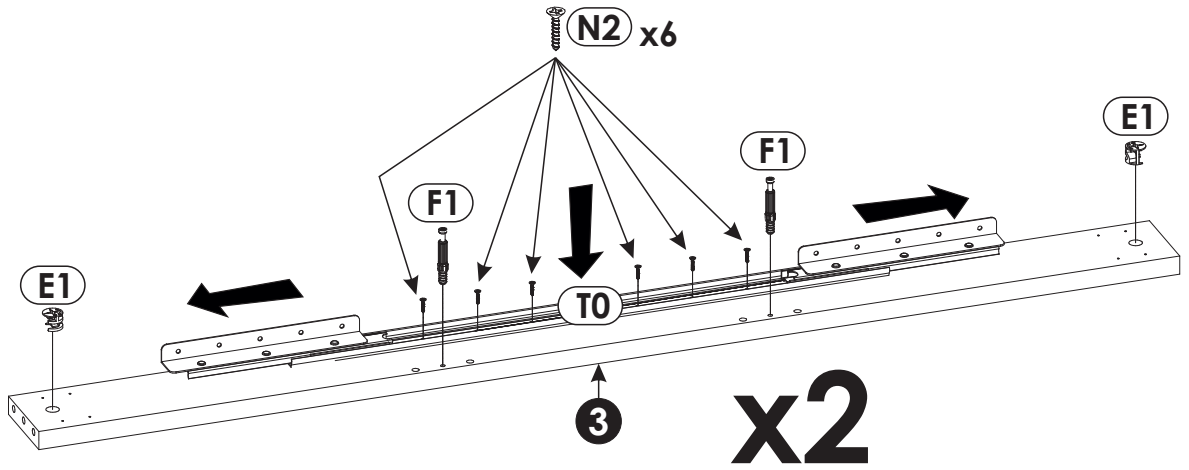
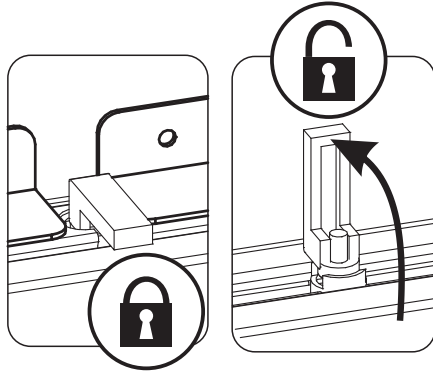
3▶



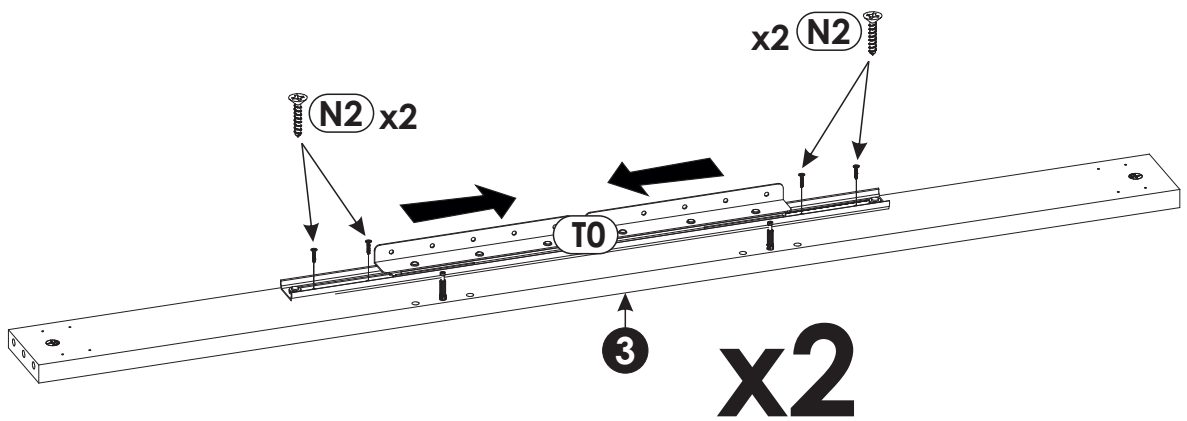
4▶



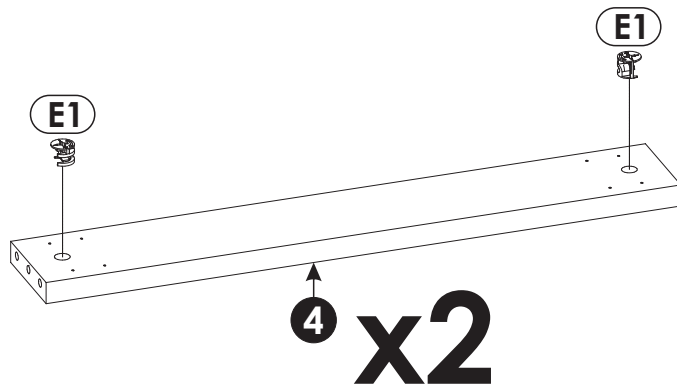
5 ▶



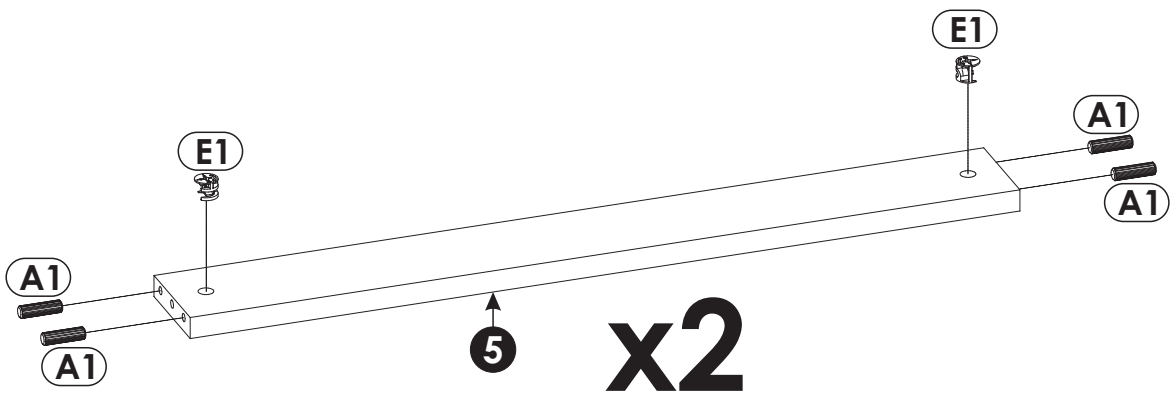
6 ▶



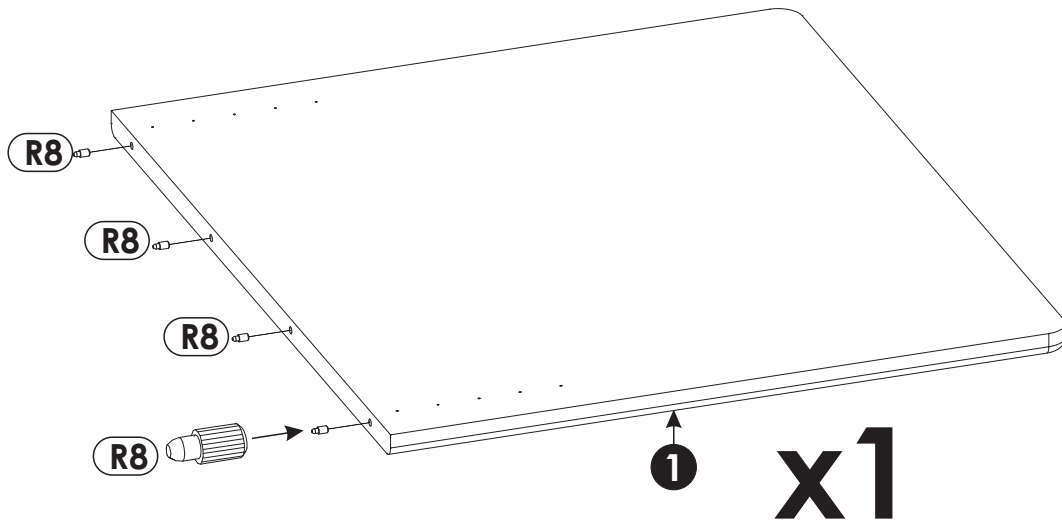
7 ▶



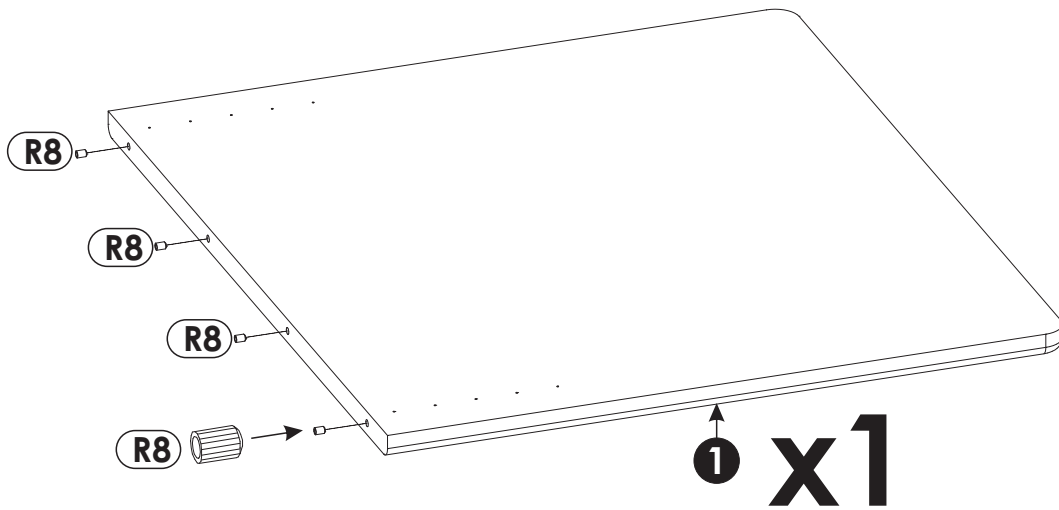
8 ▶



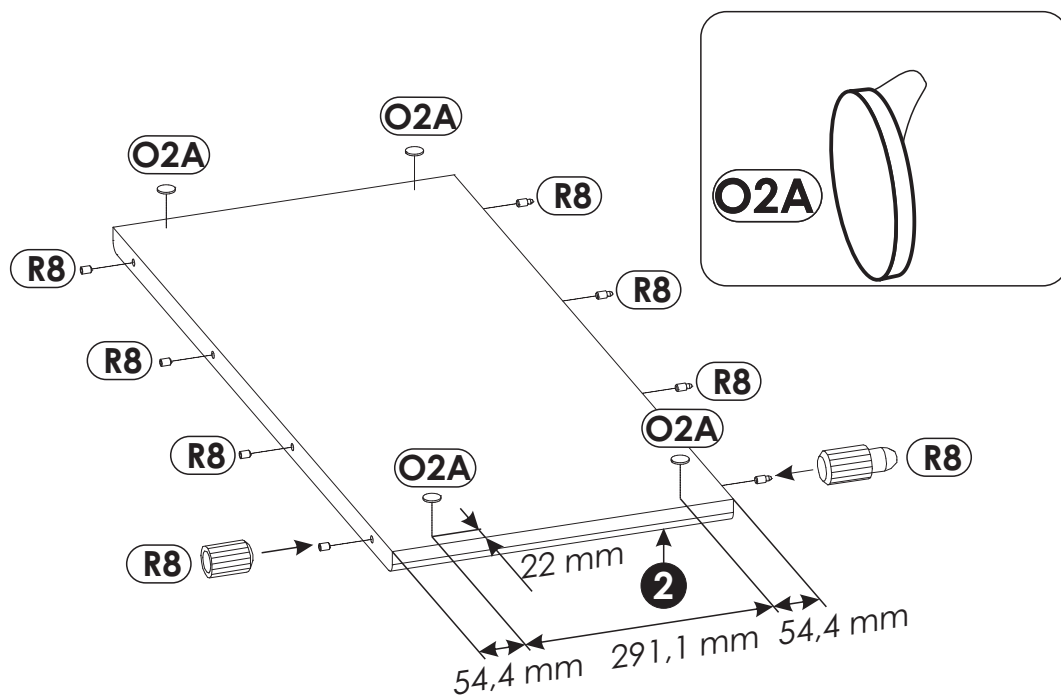
9 ▶



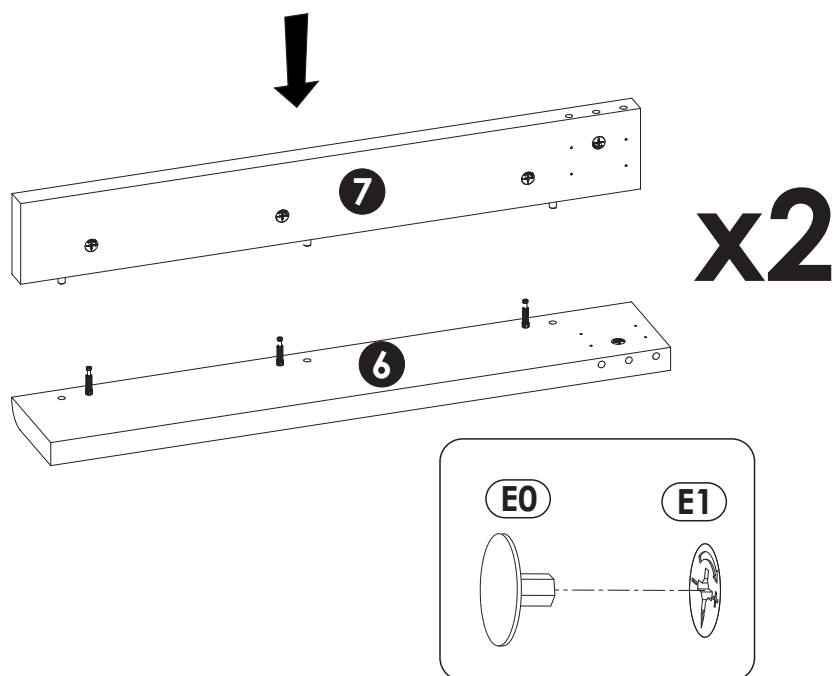
10 ▶



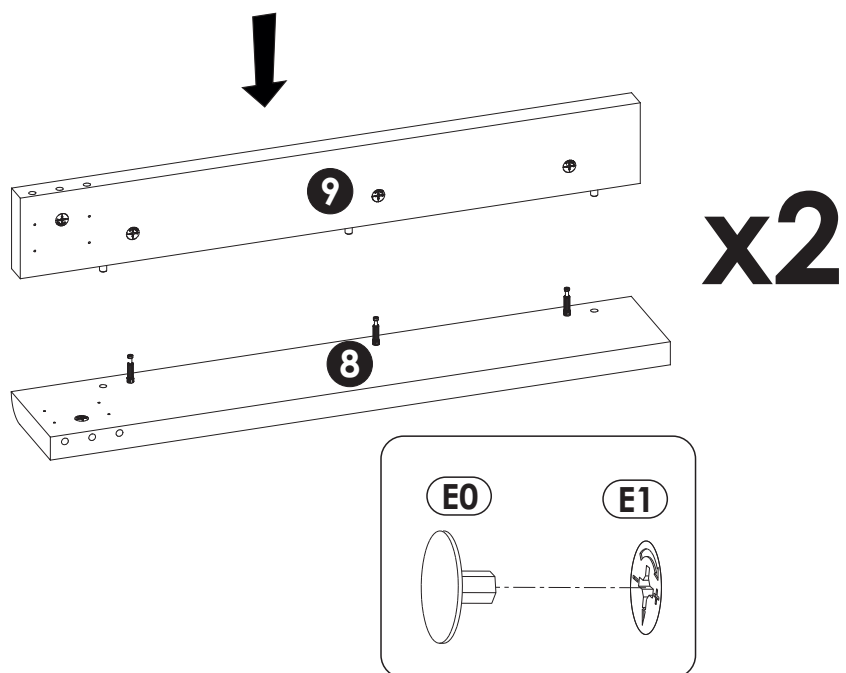
11▶



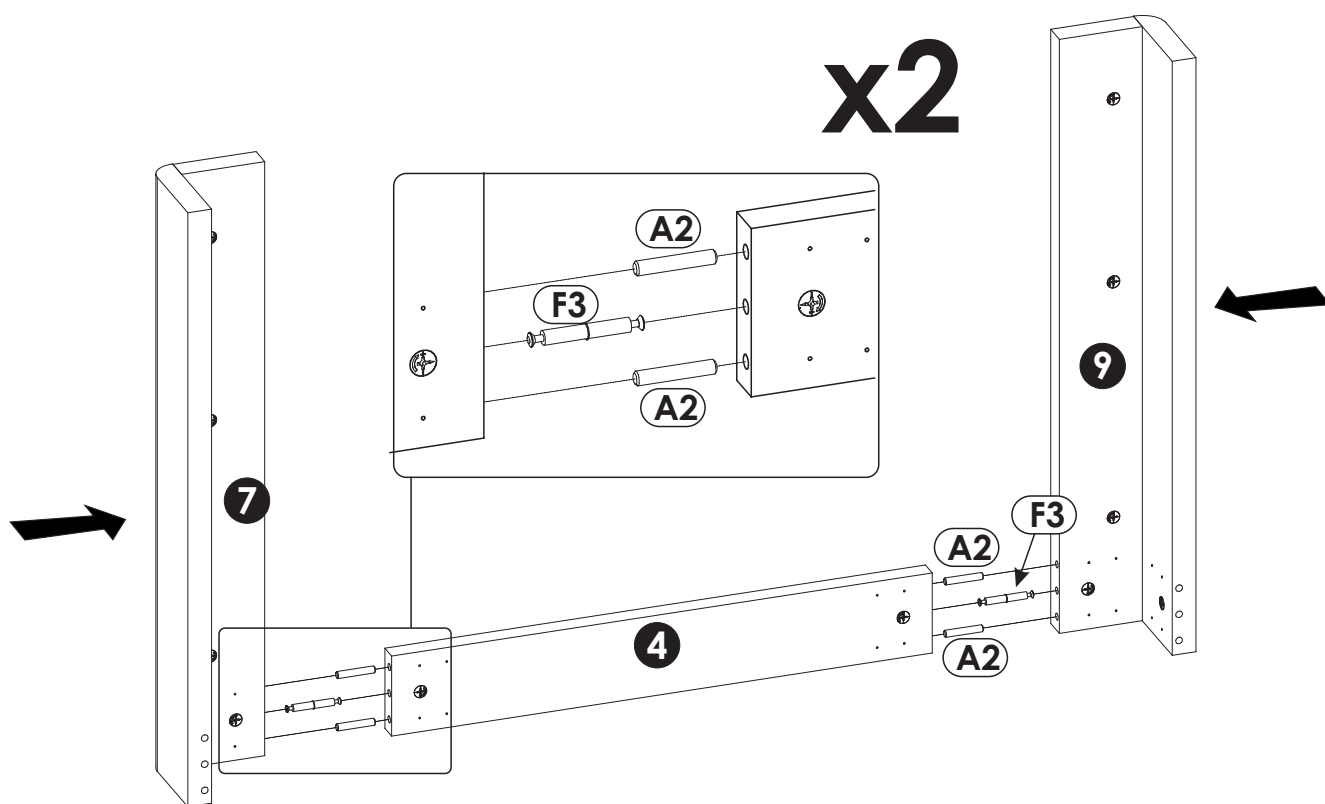
12▶



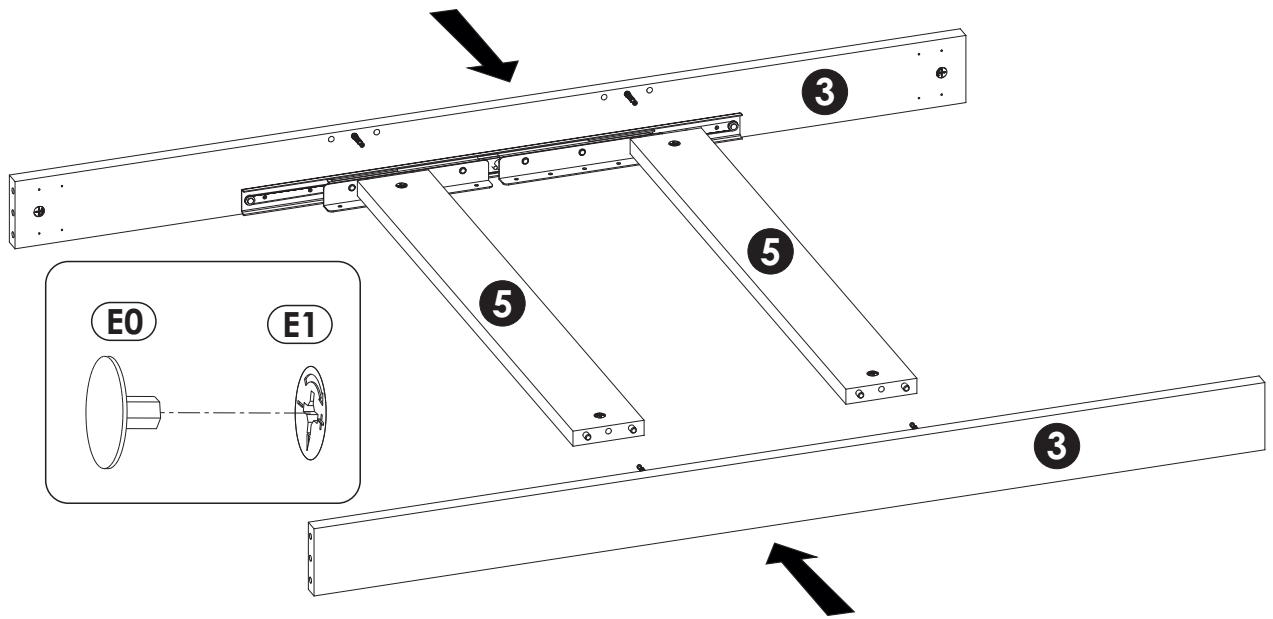
13▶



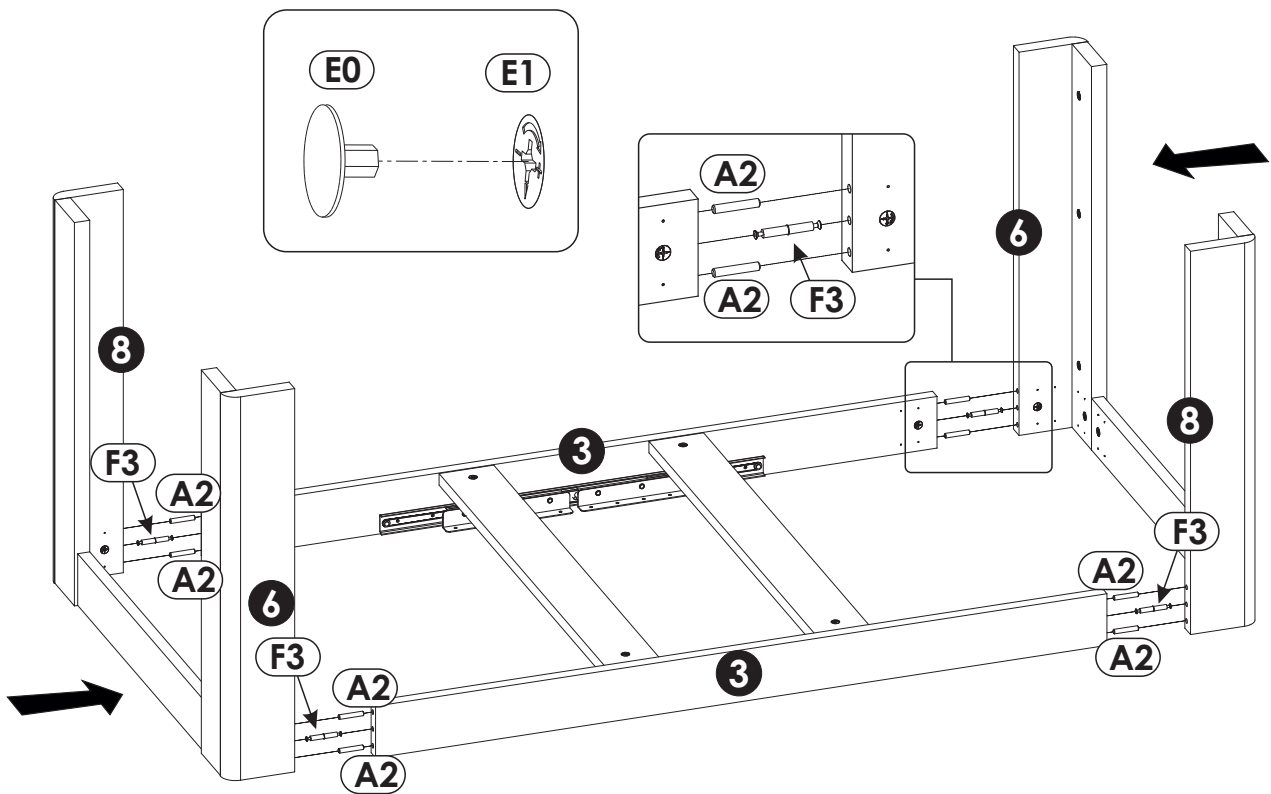
14▶



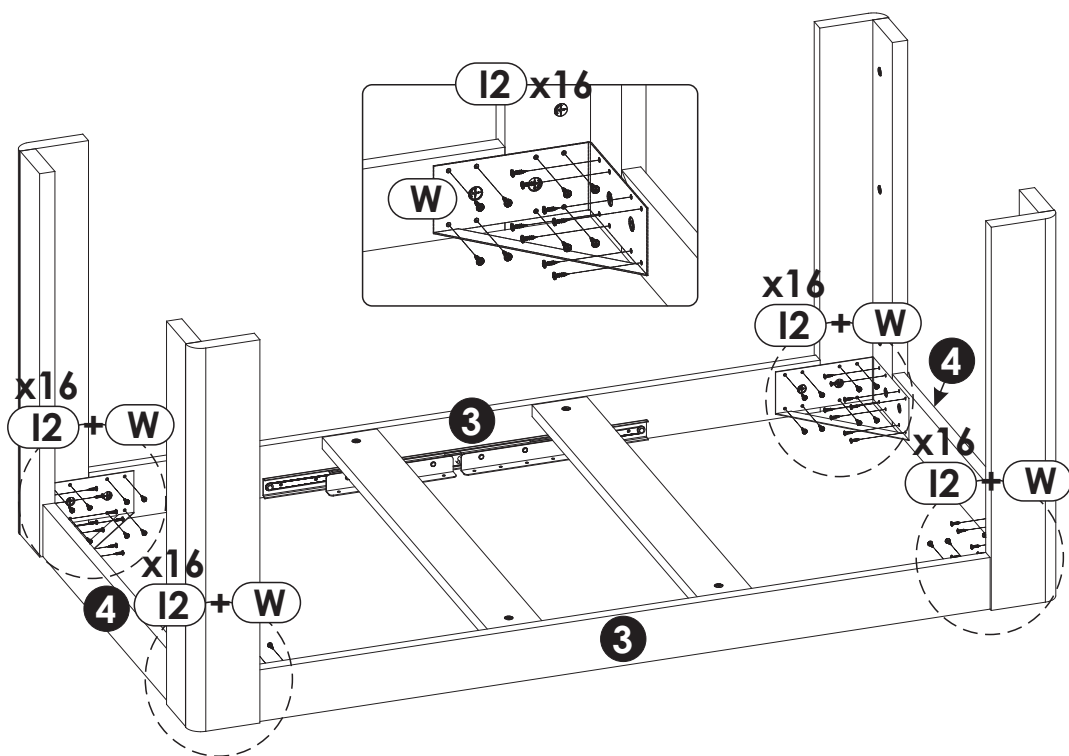
15▶



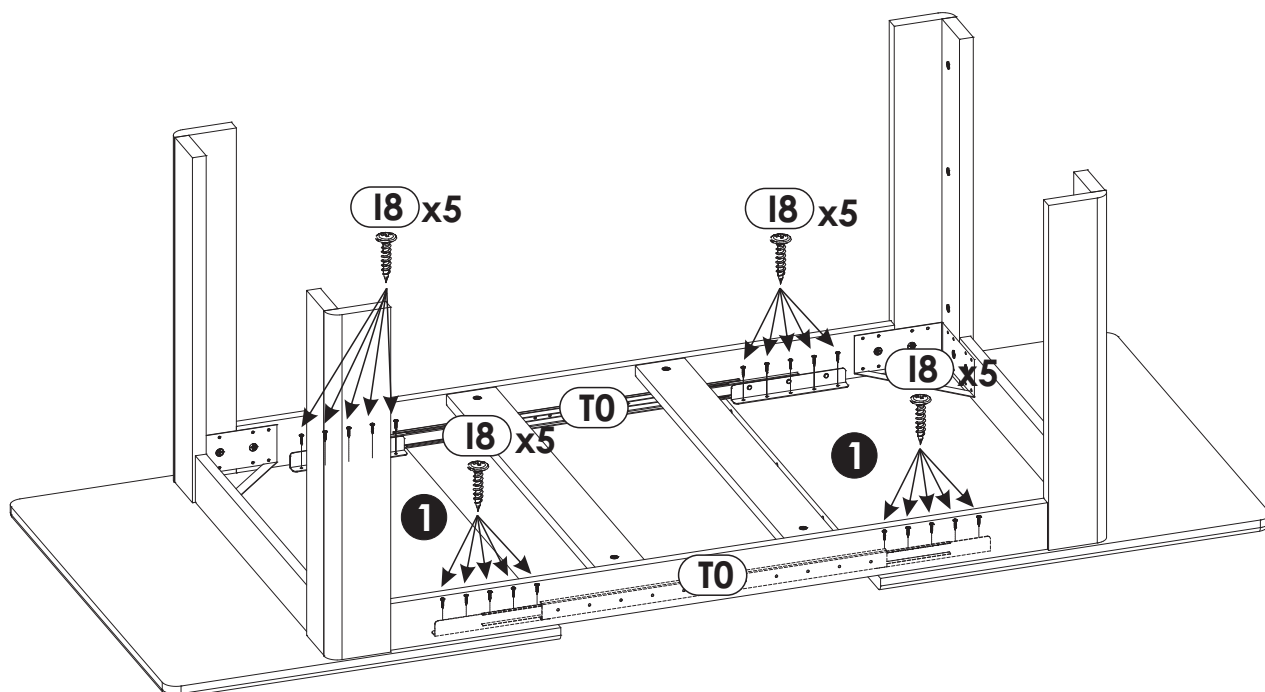
16▶



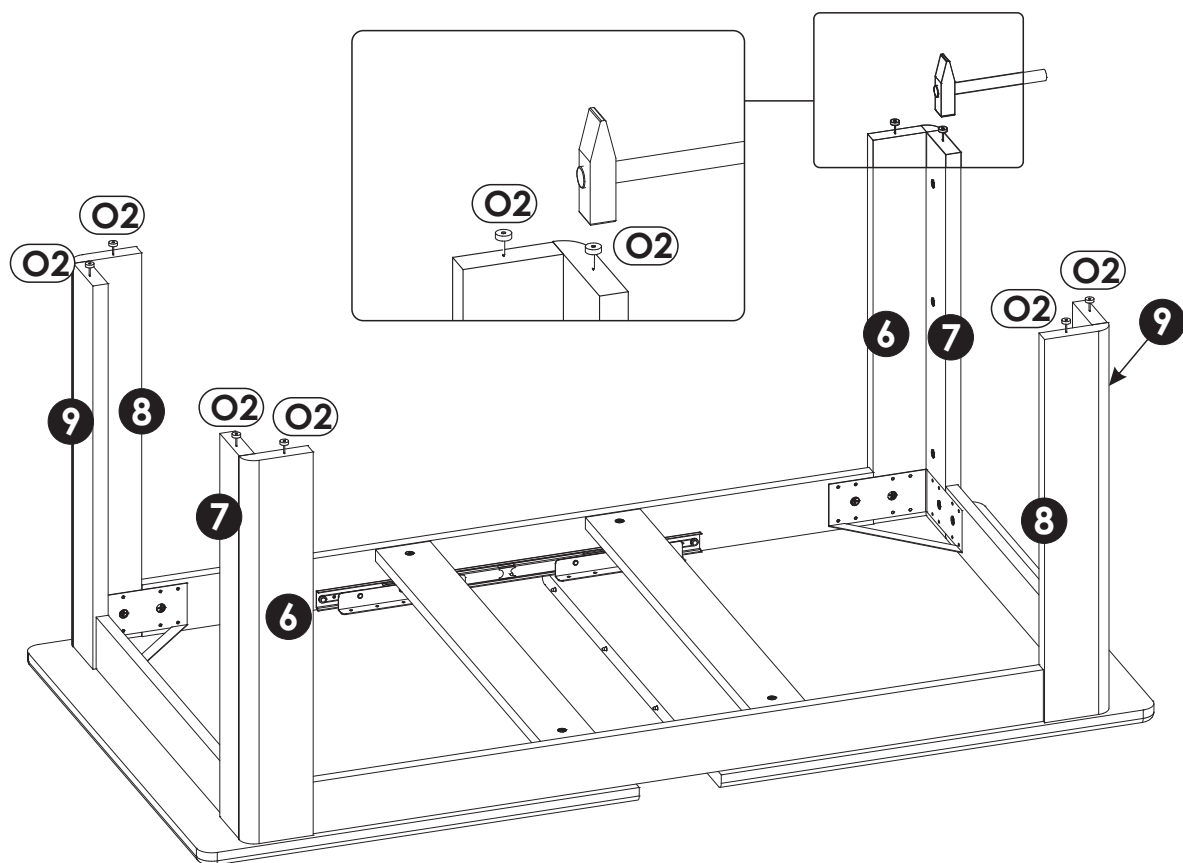
17▶



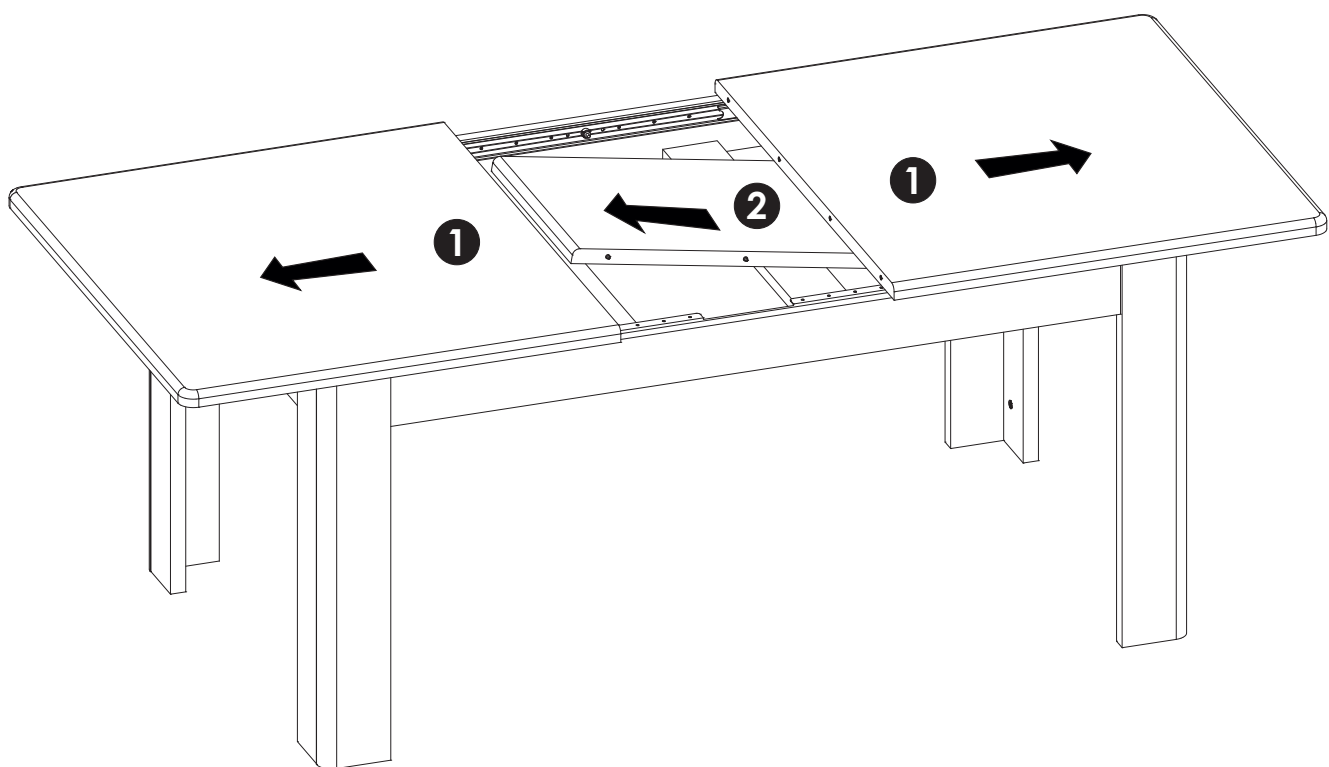
18▶



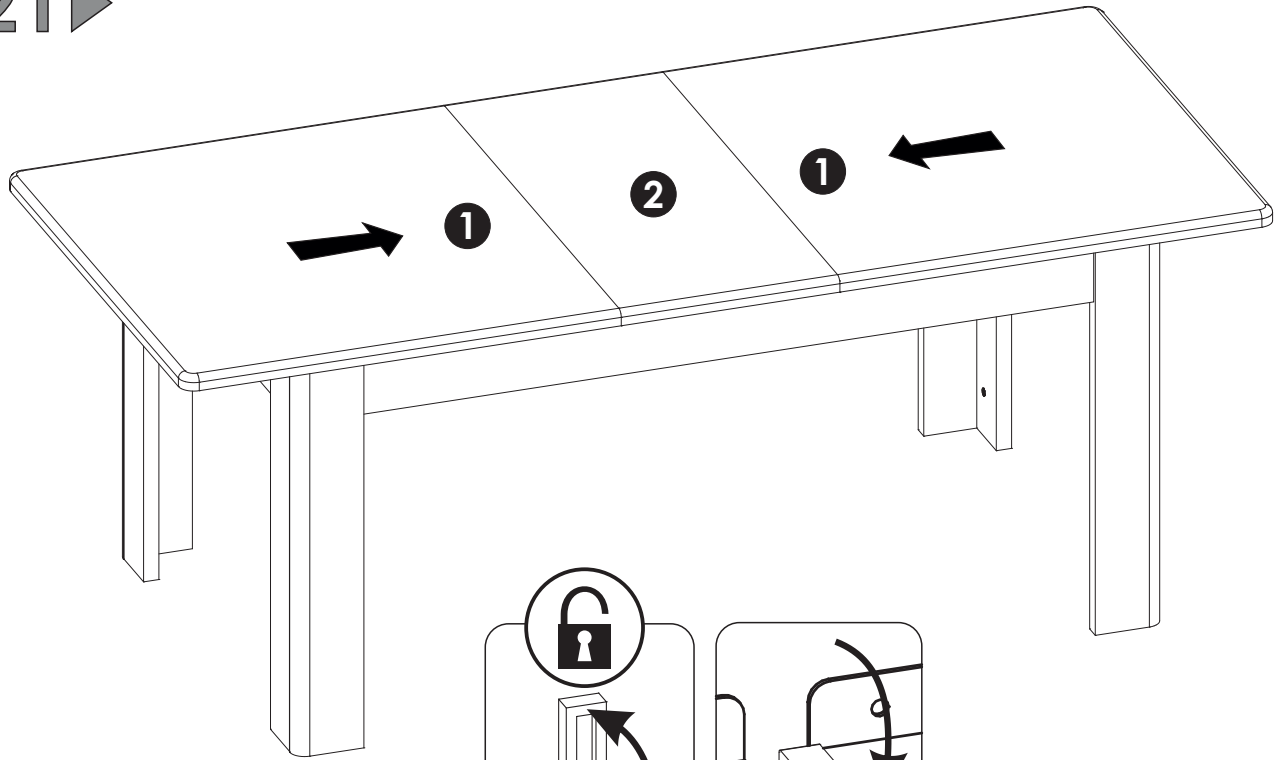
19▶



20▶



21 ▶



22 ▶

