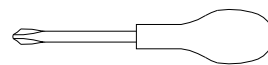
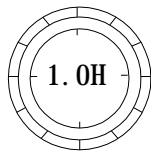
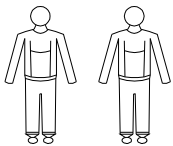
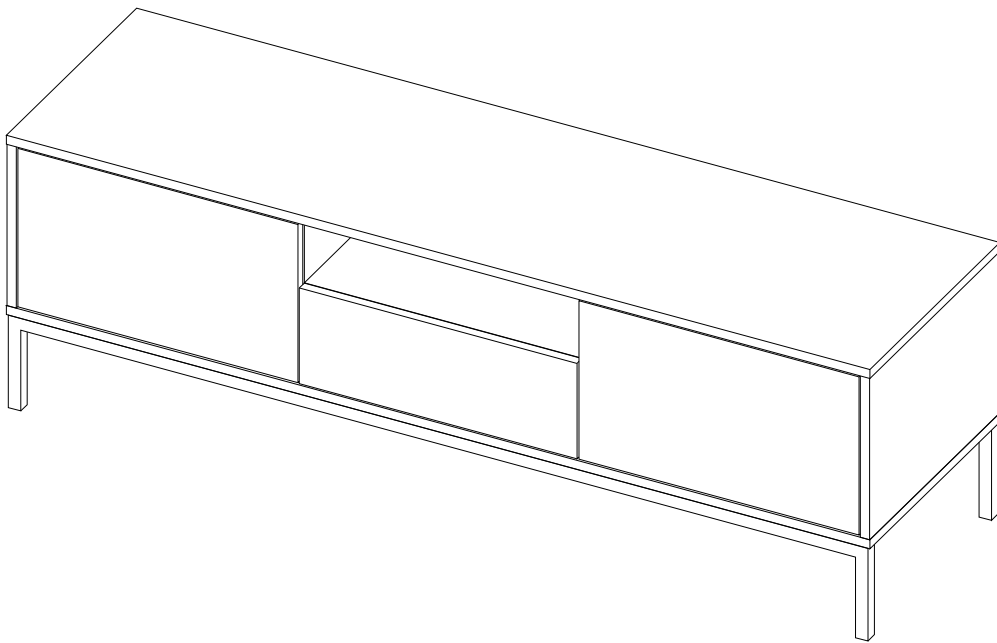
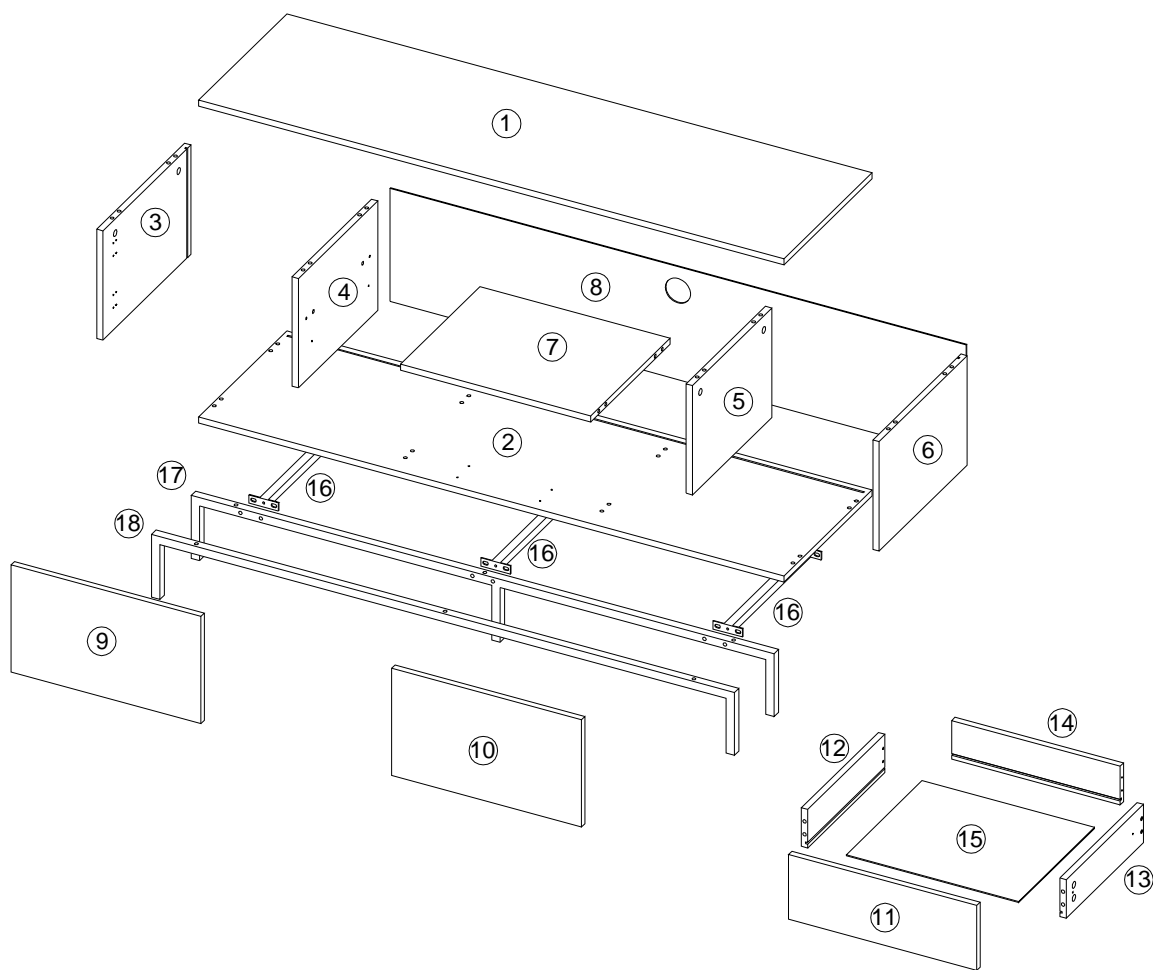
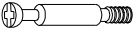







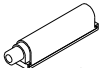


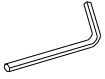
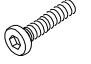



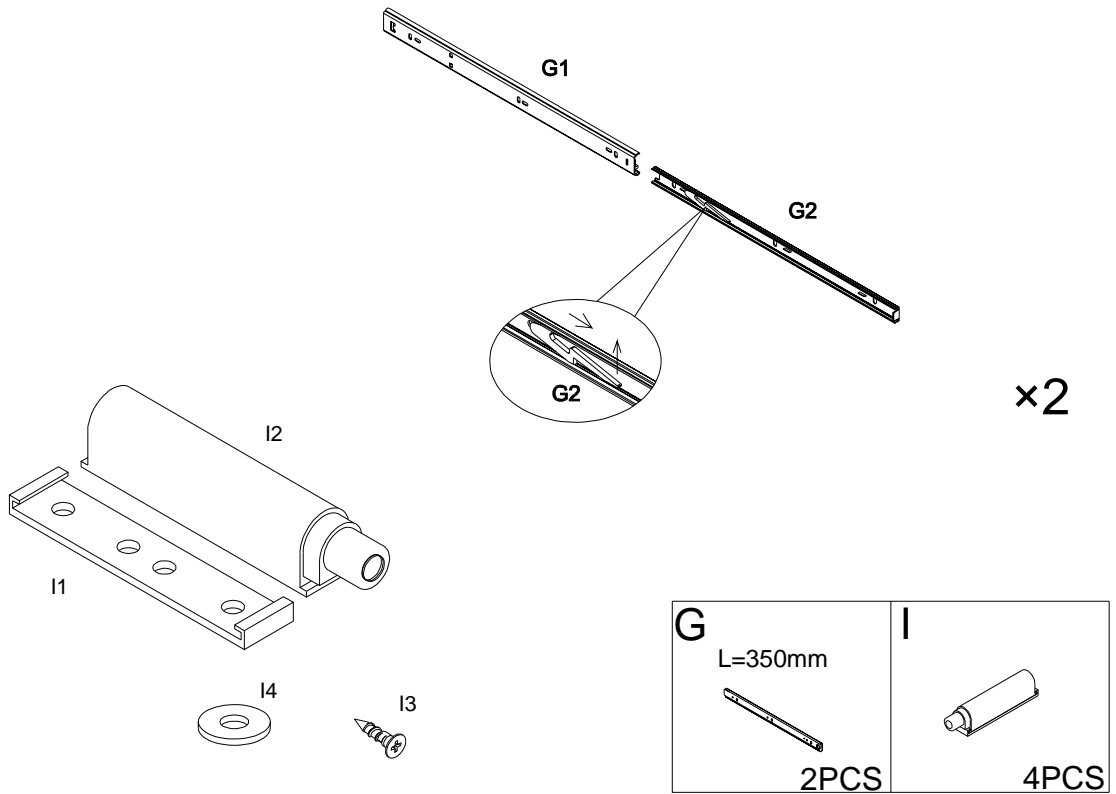
Seaford



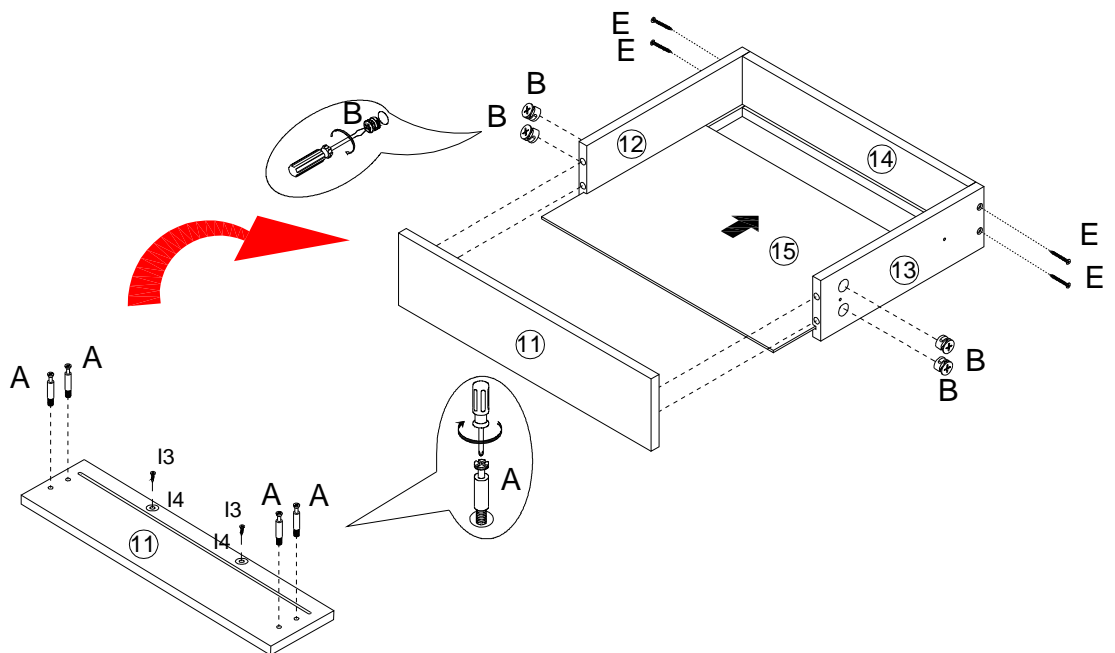


A 6.3×45mm  16PCS	B Ø15×12mm  16PCS	C Ø8×30mm  20PCS	D 7×38mm  8PCS	E M4×35mm  4PCS	F M3.5×14mm  40PCS
G L=350mm  2PCS	H  4PCS	I    4PCS	J 4mm  1PC	K M6×35mm  6PCS	L M6×15mm  12PCS

Step 1

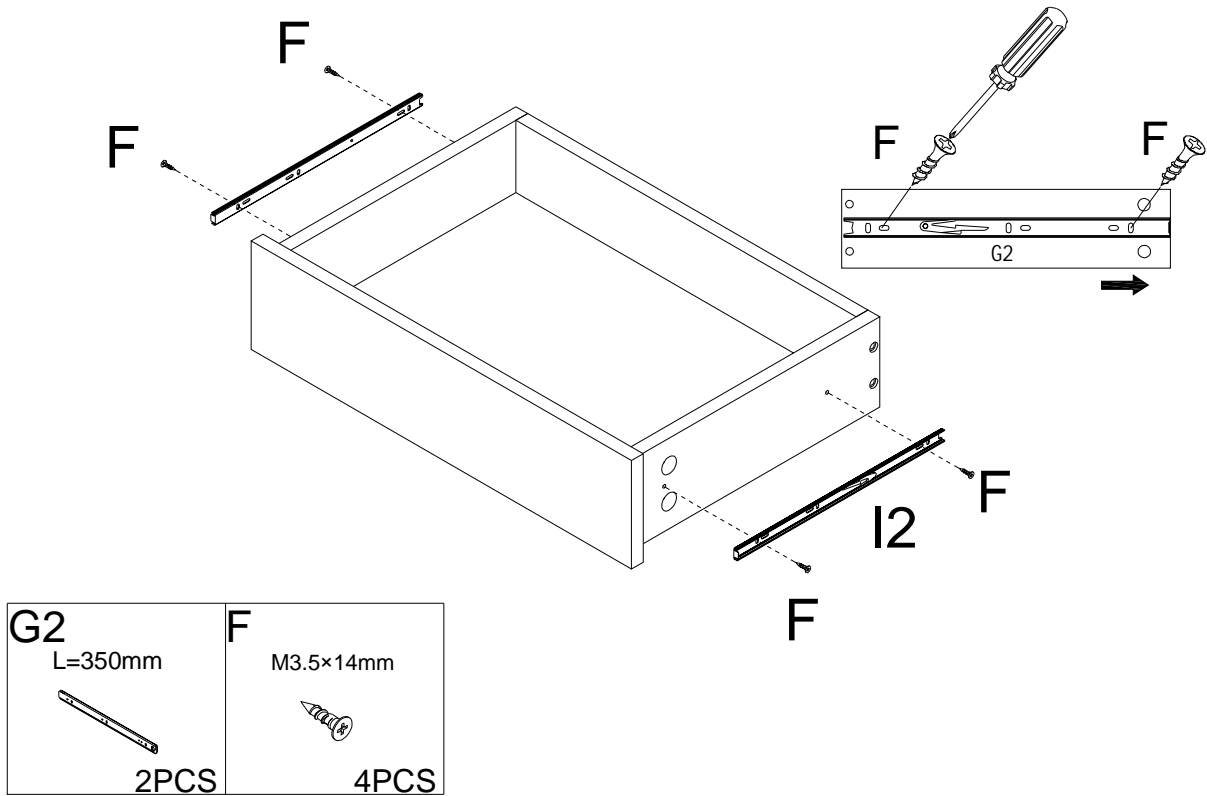


Step 2

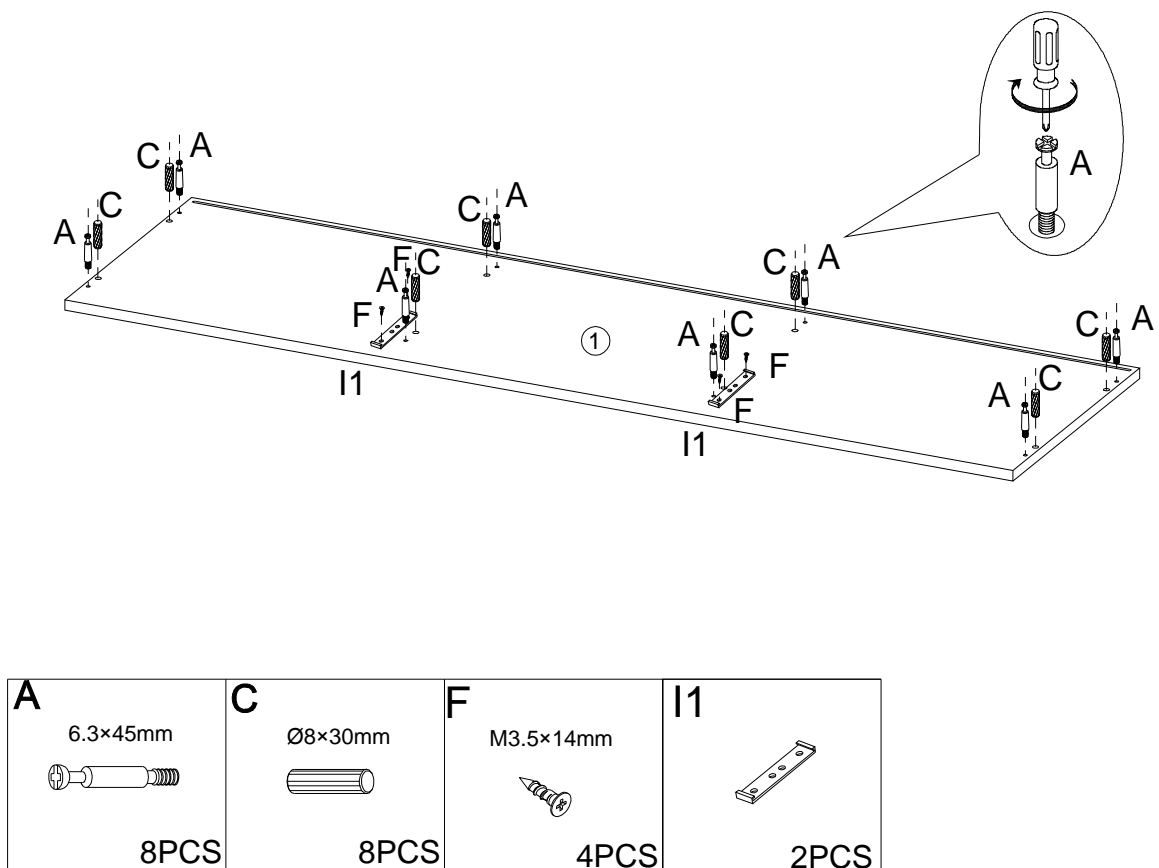


A 6.3×45mm 4PCS	B Ø15×12mm 4PCS	E M4×35mm 4PCS	I3 2PCS	I4 2PCS
----------------------------------	----------------------------------	---------------------------------	-----------------------	-----------------------

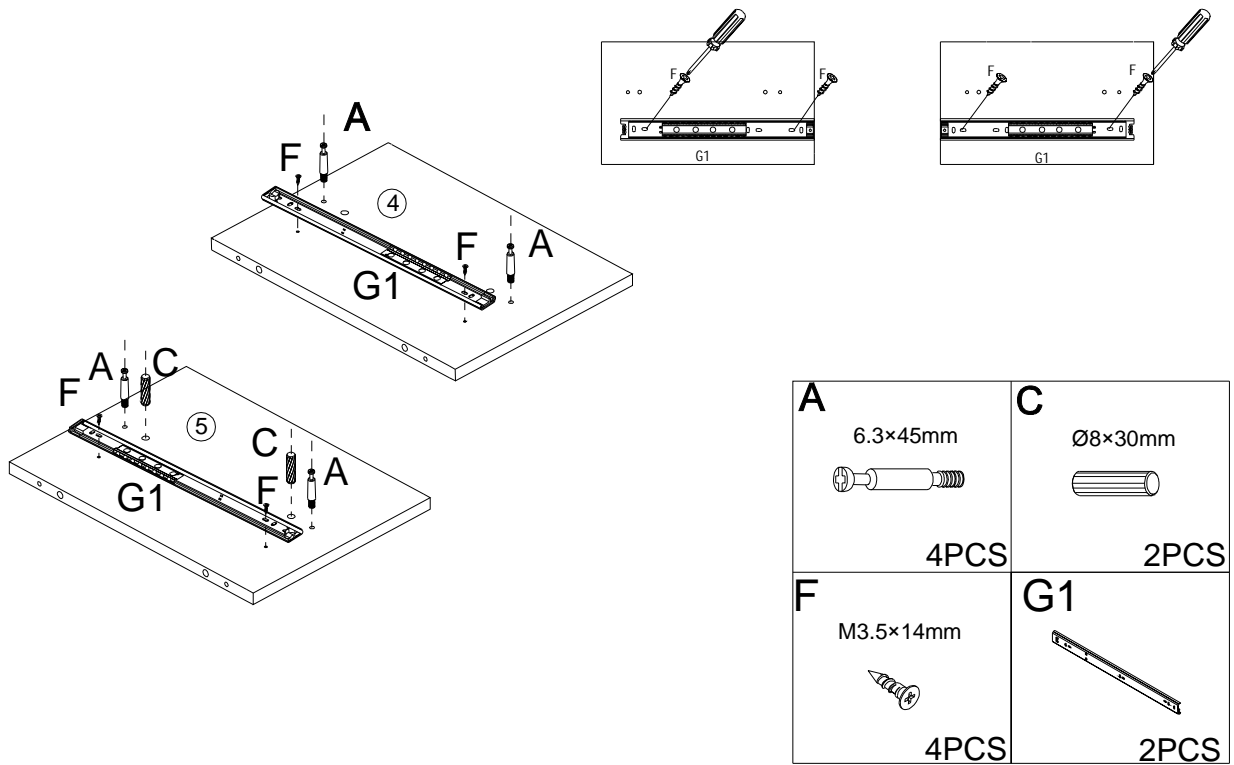
Step 3



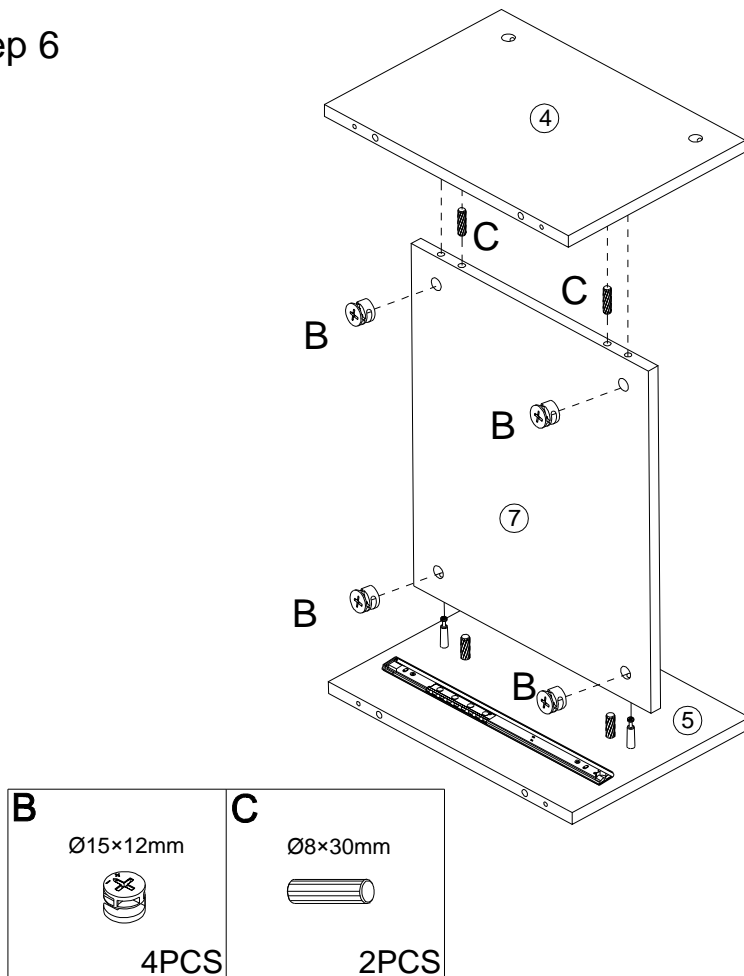
Step 4



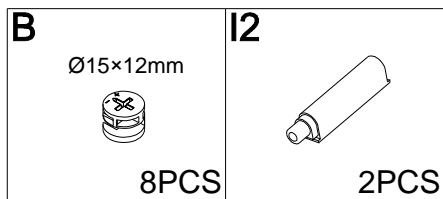
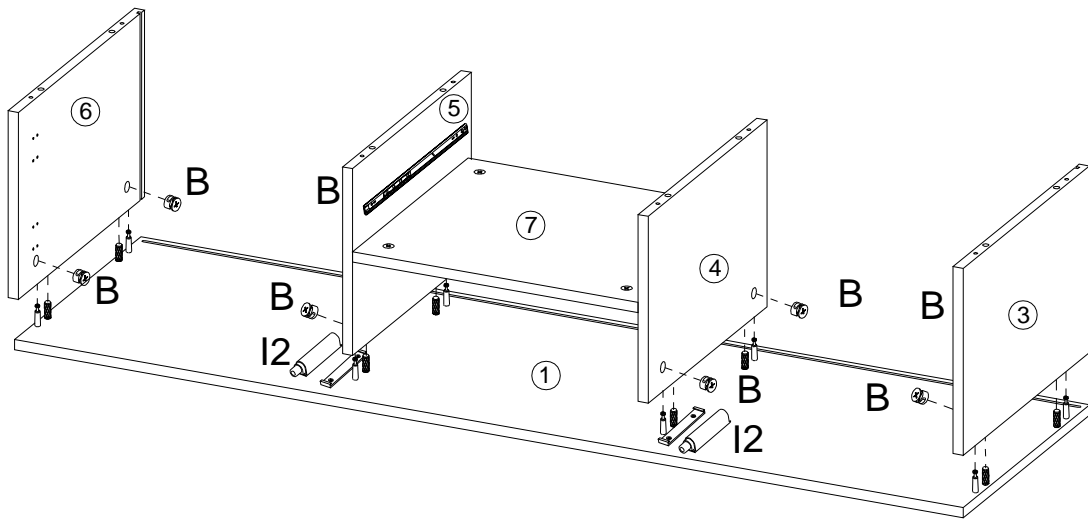
Step 5



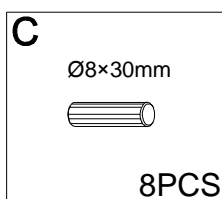
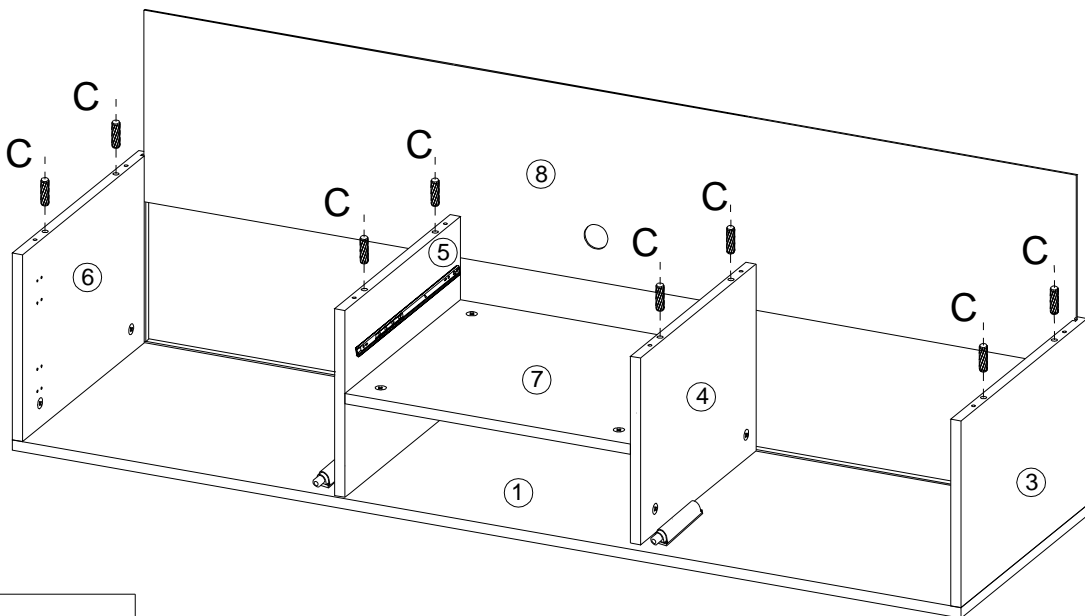
Step 6



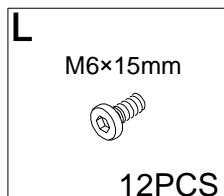
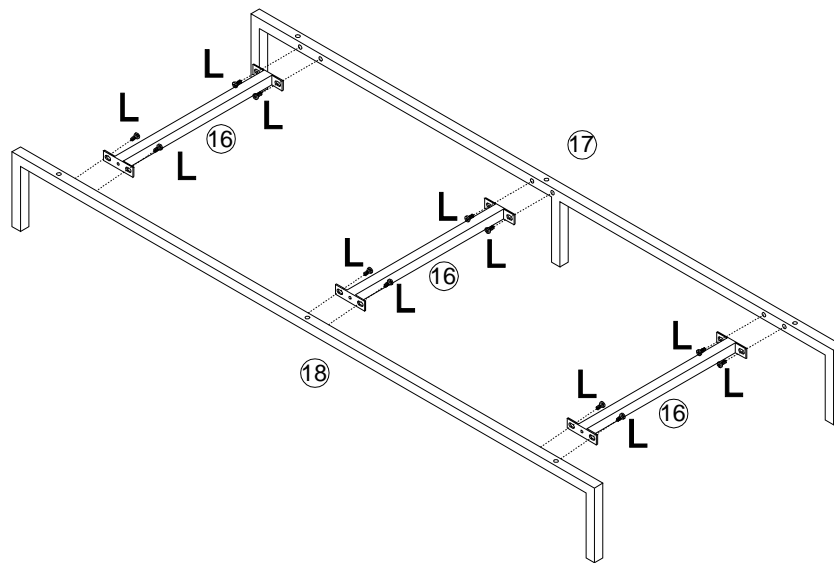
Step 7



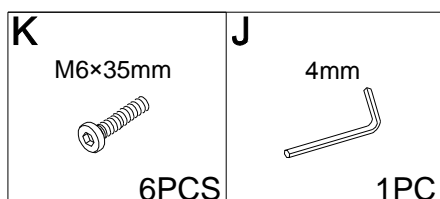
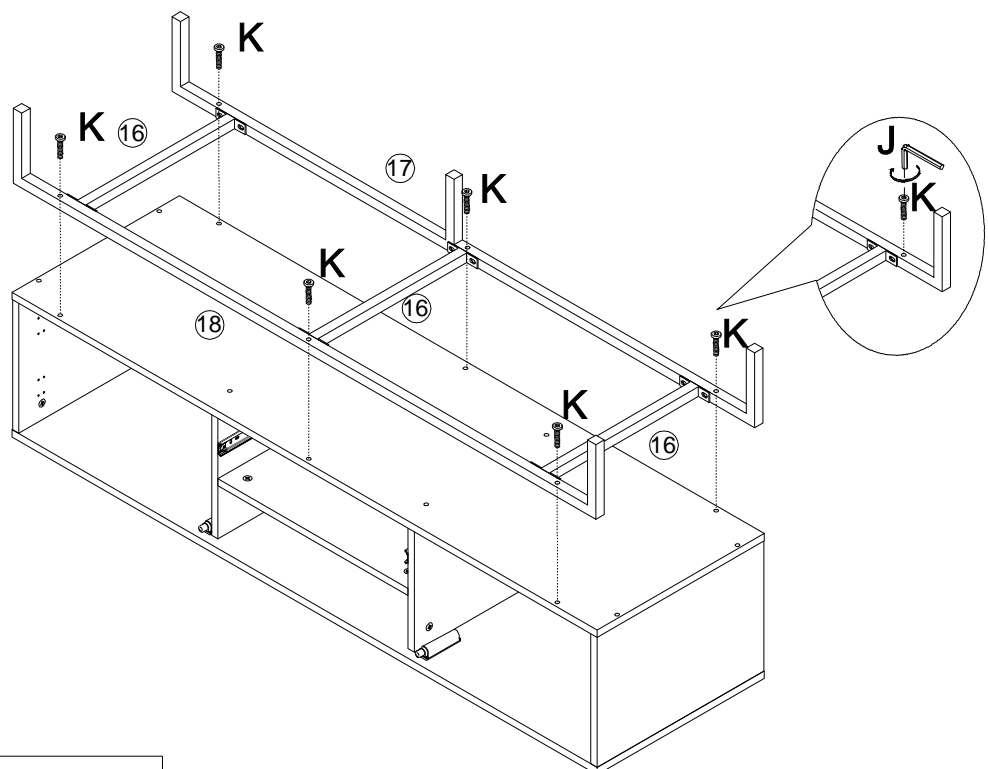
Step 8



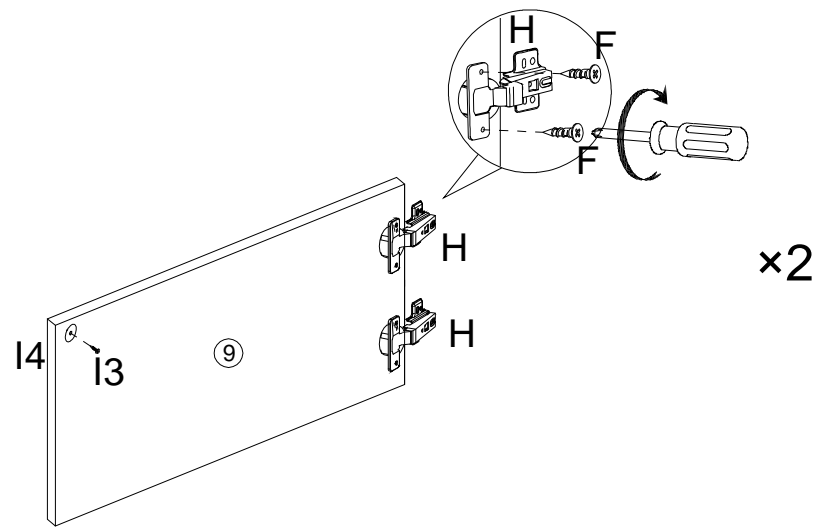
Step 11




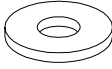


Step 12

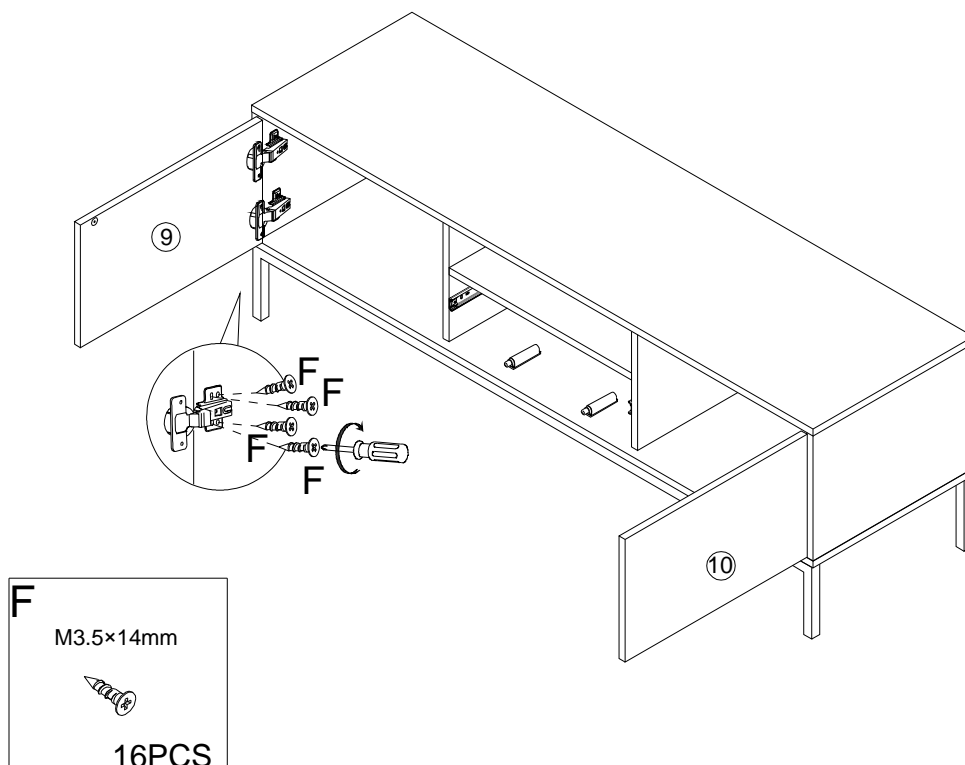


Step 13

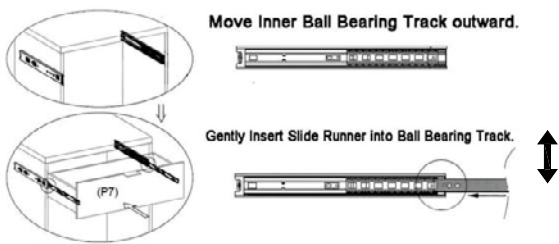
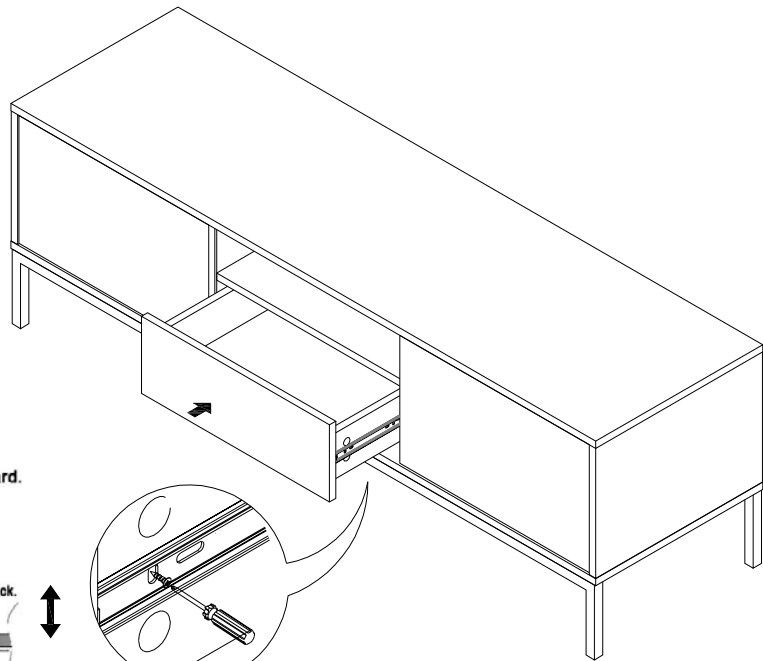
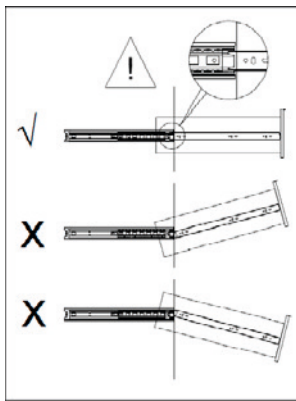


F	H	I3	I4
M3.5×14mm 			
8PCS	4PCS	2PCS	2PCS

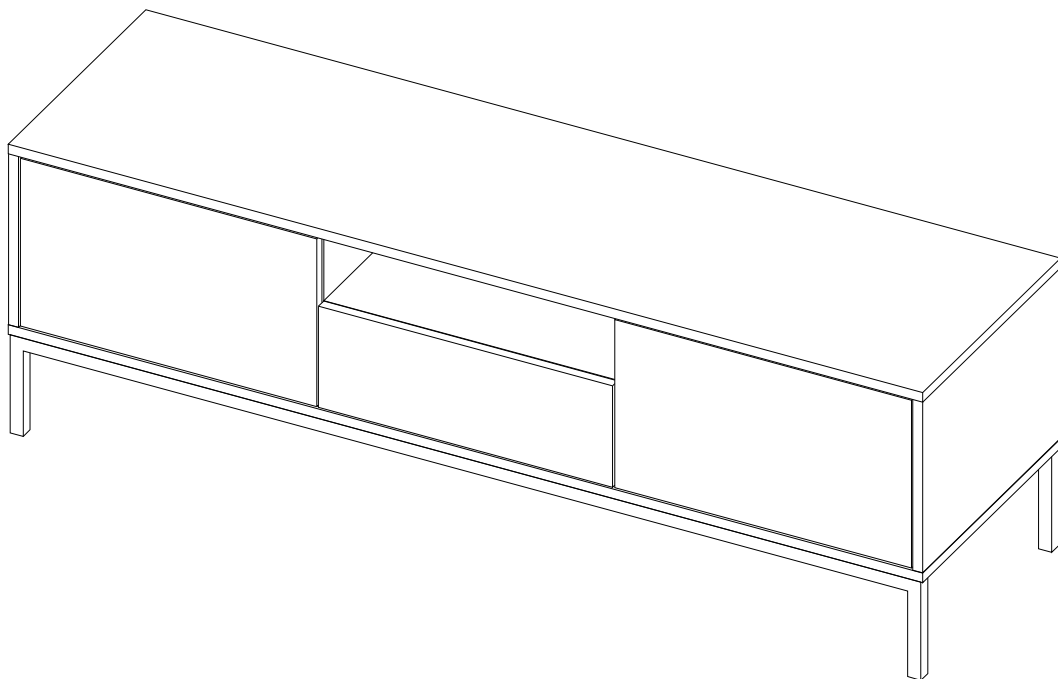
Step 14



Step 15



Step 16

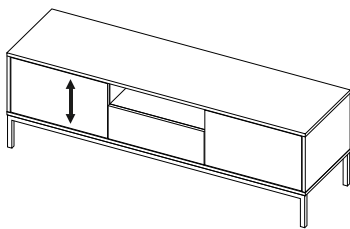
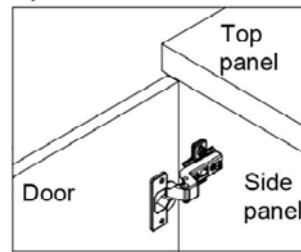


Step 14

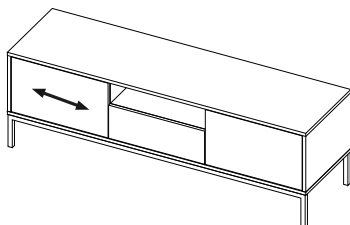


TO ADJUST YOUR DOORS TO MAKE THE GAPS MORE EVEN (OPTIONAL).

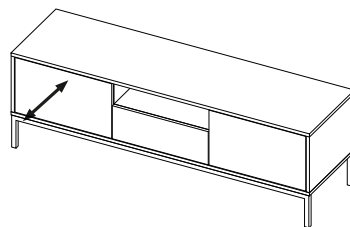
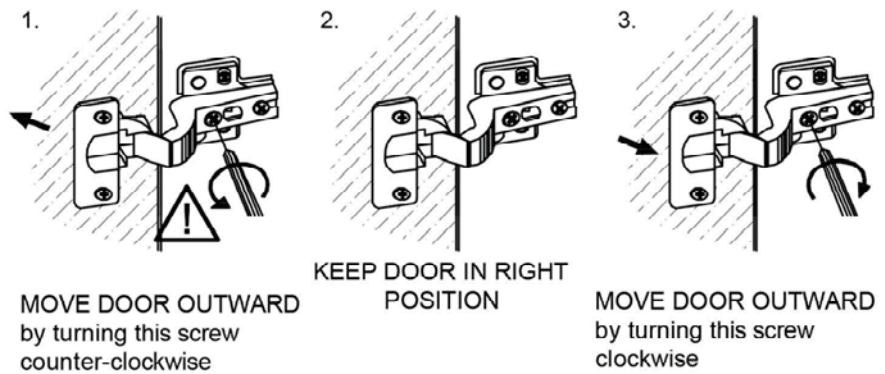
STEP 14.1 Open the door.



STEP 14.2
Adjust the door panels
upward or downward



STEP 14.3
Adjust the flush between
door panel and side panel



STEP 14.4
Adjust the gap between
door panel and side panel

