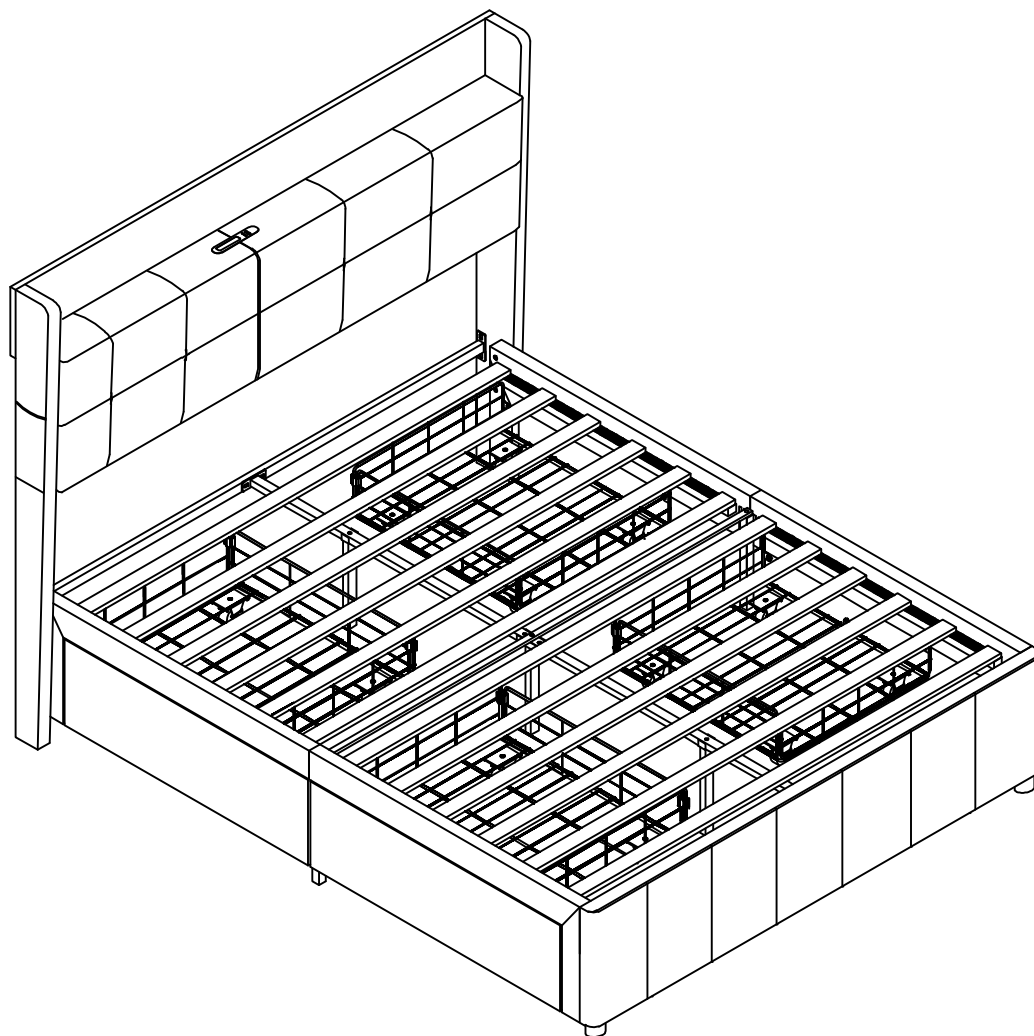
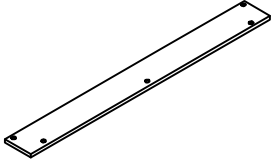
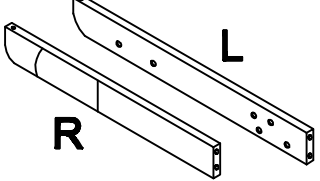
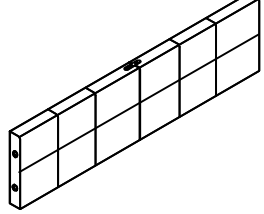
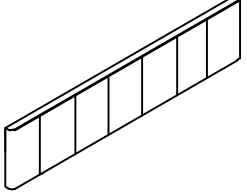
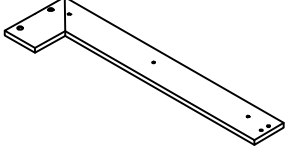
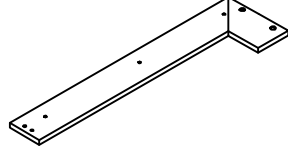
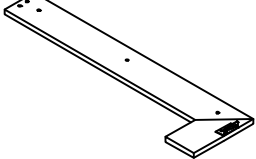
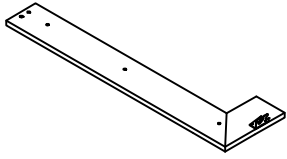
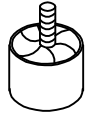


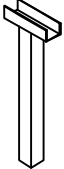

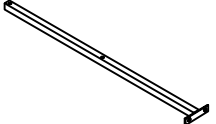

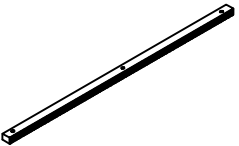
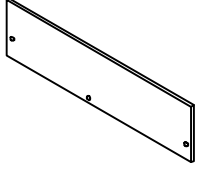
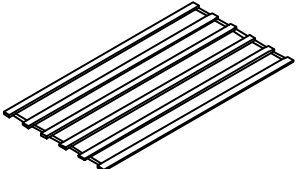
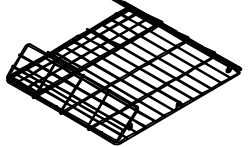
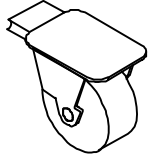
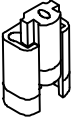
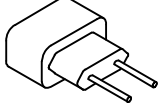


MONTAGEANLEITUNG(DE) INSTRUCTIONS D'ASSEMBLAGE(FR)

A019



Teileliste(DE)/Liste des pièces(FR)

<p>1:</p>  <p>1PC</p>	<p>2:</p>  <p>2PCS</p>	<p>3:</p>  <p>1PC</p>	<p>4:</p>  <p>1PC</p>
<p>5:</p>  <p>1PC</p>	<p>6:</p>  <p>1PC</p>	<p>7:</p>  <p>1PC</p>	<p>8:</p>  <p>1PC</p>
<p>9:</p>  <p>2PCS</p>	<p>10:</p>  <p>2PCS</p>	<p>11:</p>  <p>2PCS</p>	<p>12:</p>  <p>1PC</p>
<p>13:</p>  <p>1PC</p>	<p>14:</p>  <p>2PCS</p>	<p>15:</p>  <p>1PC</p>	<p>16:</p>  <p>4PCS</p>
<p>17:</p>  <p>4PCS</p>	<p>18:</p>  <p>2SET</p>	<p>19:</p>  <p>4PCS</p>	<p>20:</p>  <p>16PCS</p>
<p>21:</p>  <p>8PCS</p>	<p>22:</p>  <p>1PC</p>		

Eisenware-liste(DE)/Liste de matériel(FR)

A:



Ø5/16"x55mm

9+1PCS

B:



Ø5/16"x25mm

14+1PCS

C:



Ø5/16"x45mm

4PCS

D:



Ø1/4"x15mm

20+1PCS

E:



Ø1/4"x30mm

5PCS

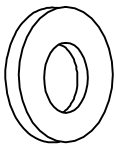
F:



Ø1/4"x38mm

12+1PCS

G:



Ø5/16"x19mm

27+2PCS

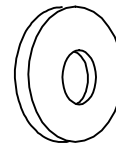
H:



Ø1/4"x16mm

32+1PCS

I:



Ø1/4"x19mm

5PCS

J:



Ø5/16"x13mm

27+2PCS

K:



Ø5/16"x100mm

1PC

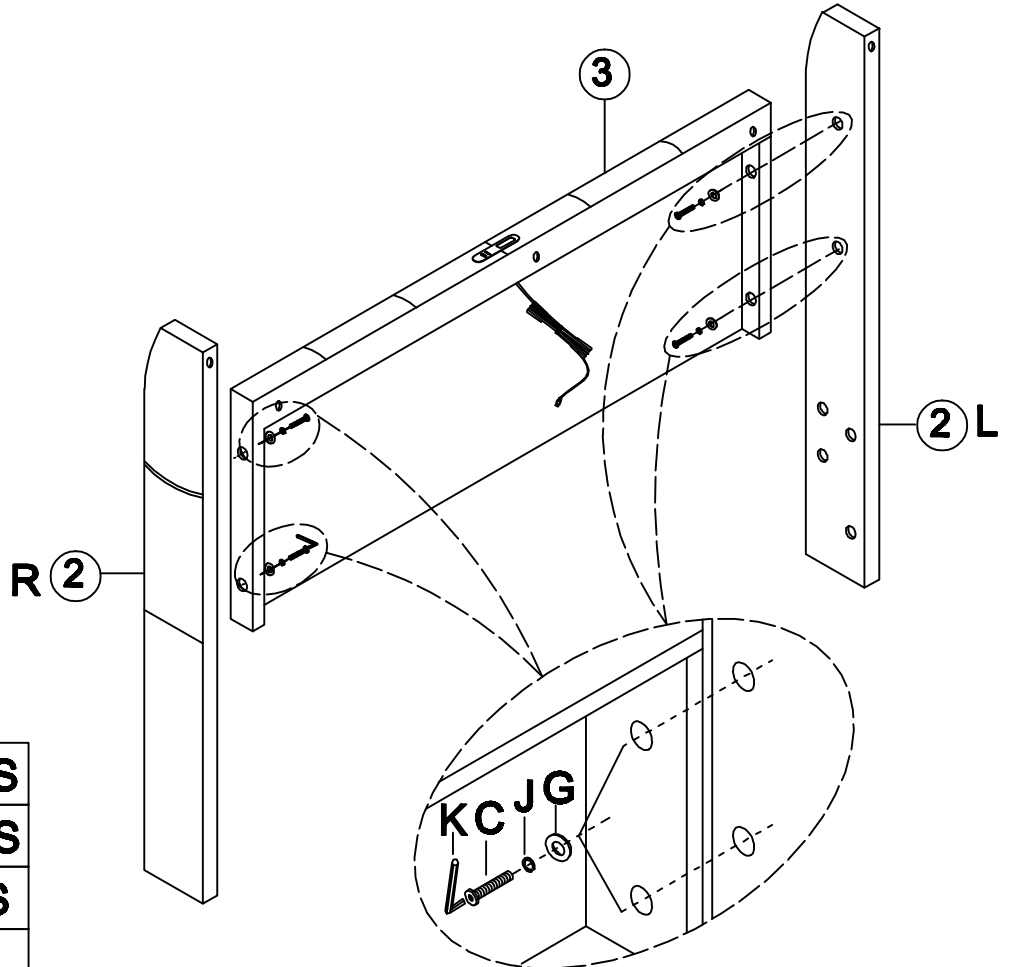
L:




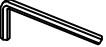


Ø1/4"x100mm

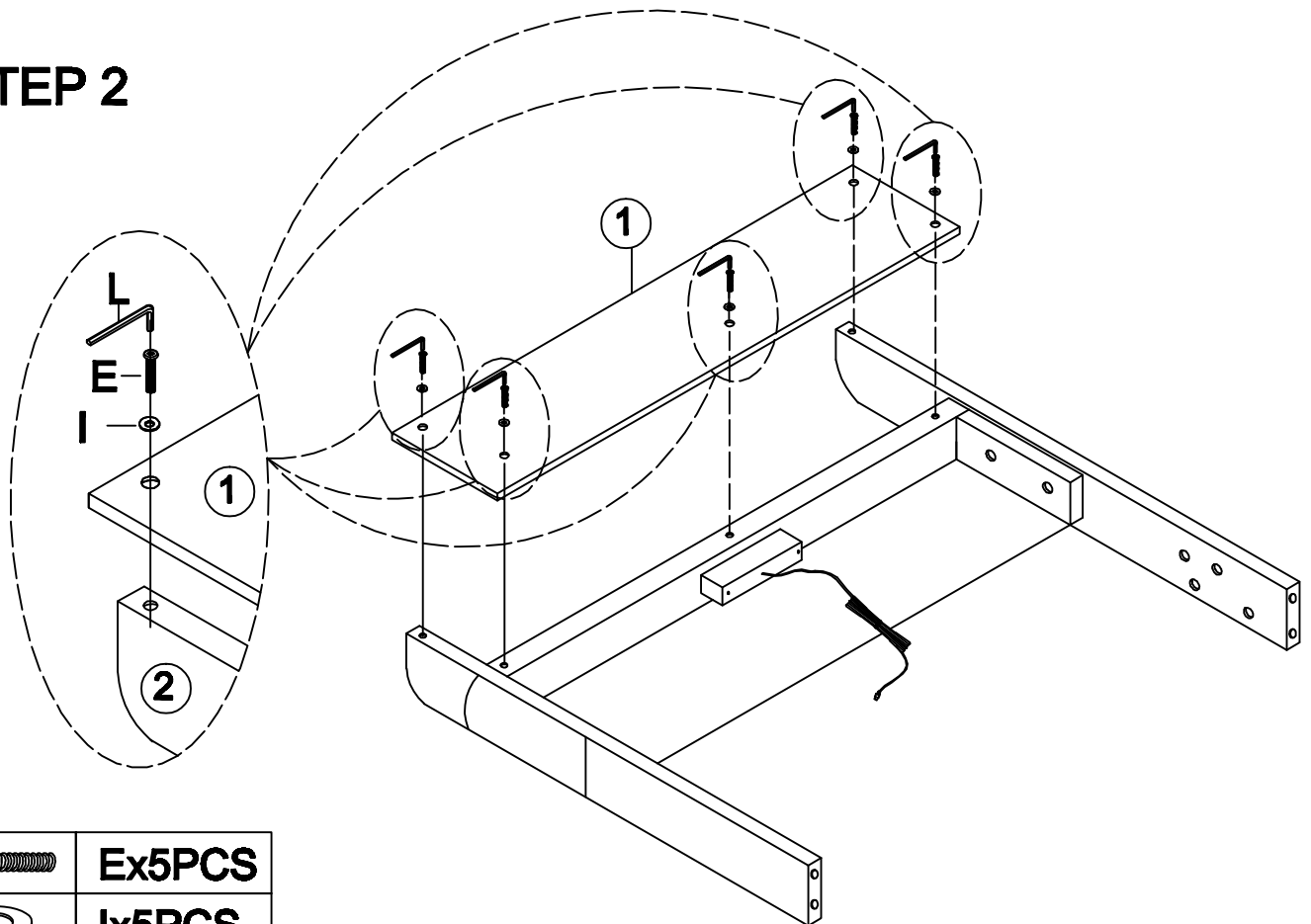
1PC




STEP 1



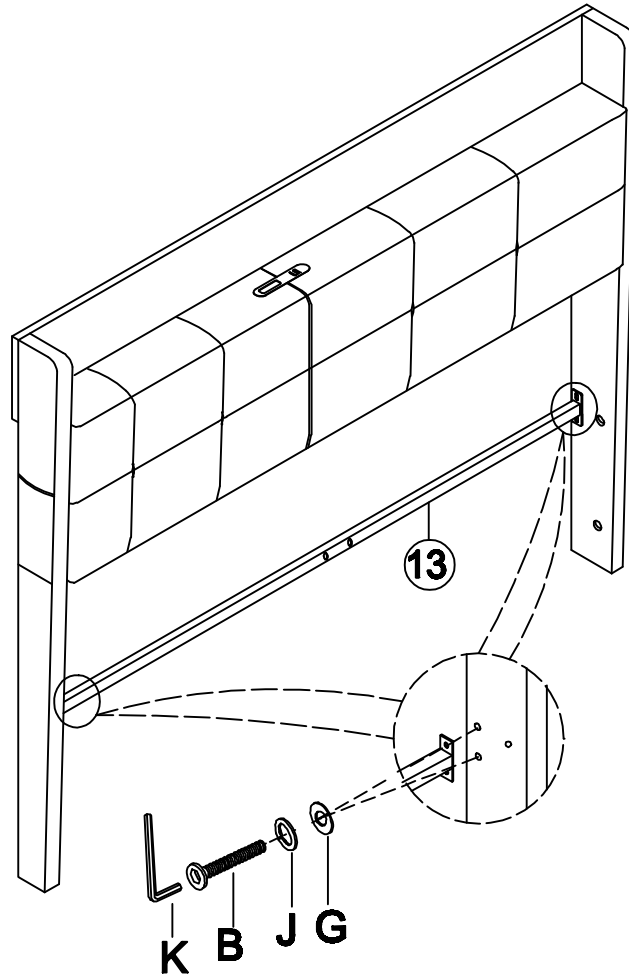
	Cx4PCS
	Gx4PCS
	Jx4PCS
	Kx1PC





STEP 2



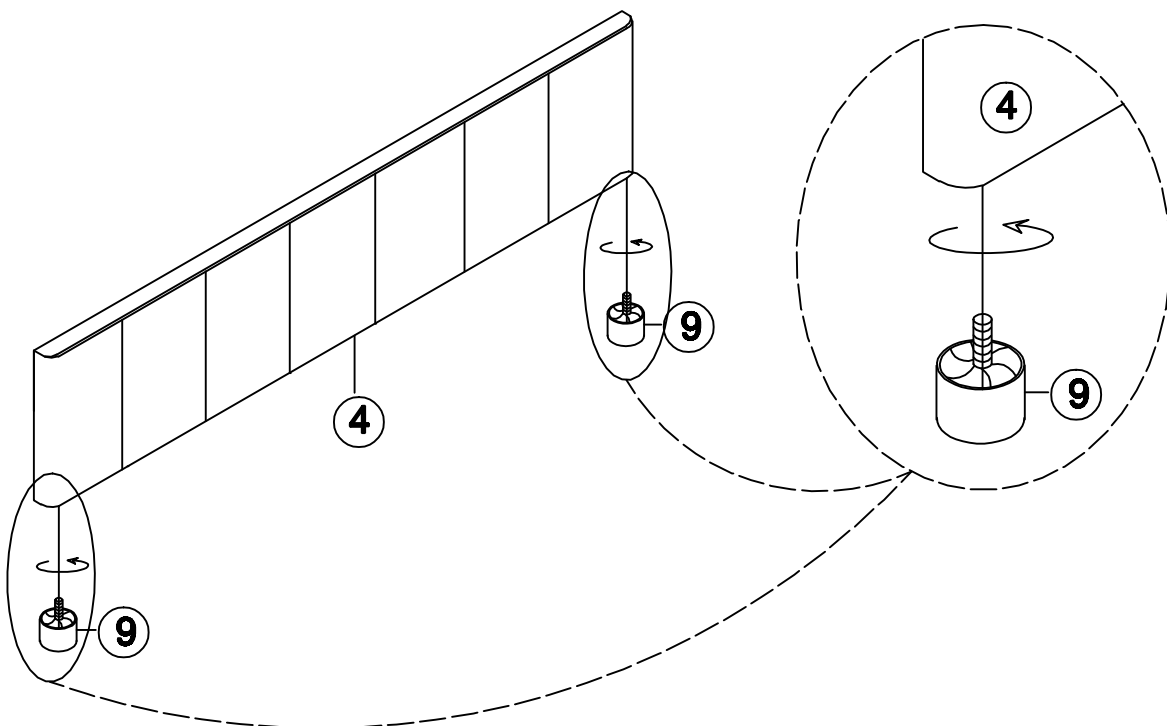
	Ex5PCS
	Ix5PCS
	Lx1PC

STEP 3

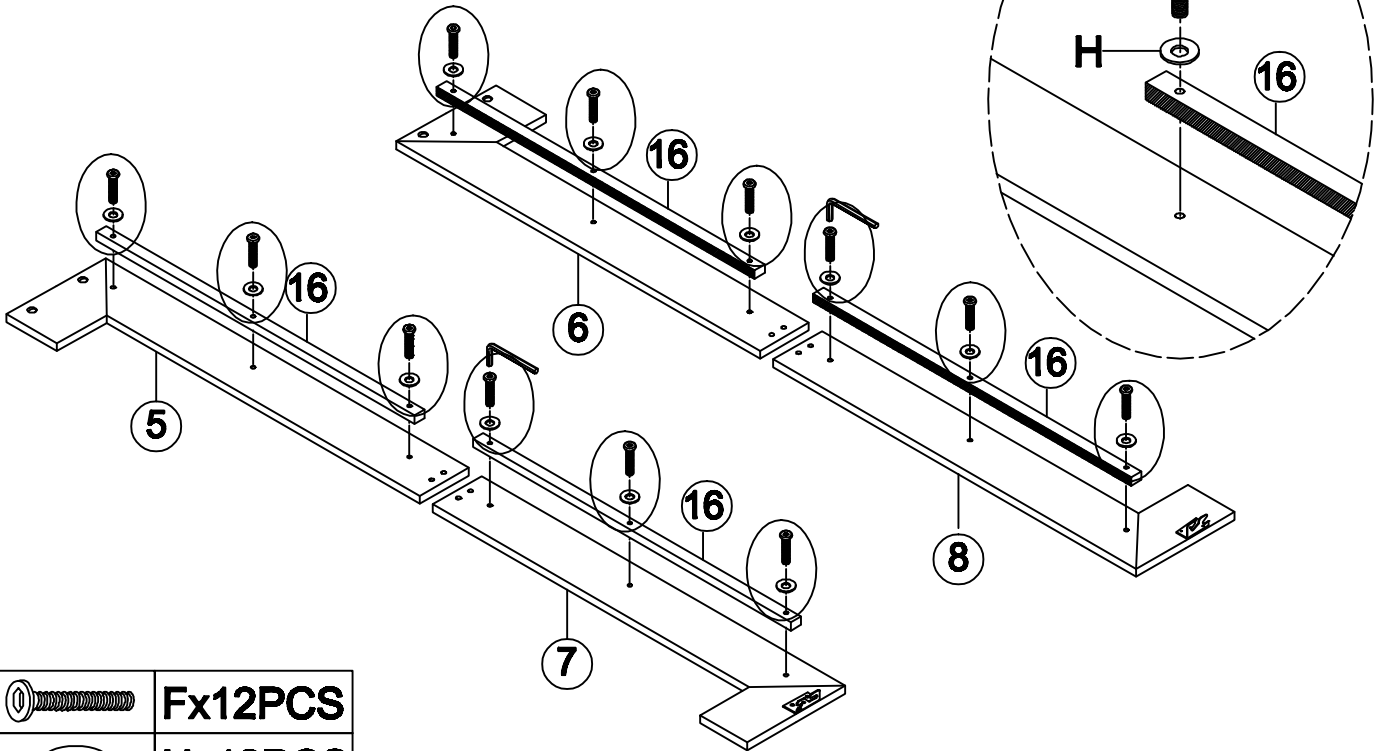





	Bx4PCS
	Gx4PCS
	Jx4PCS
	Kx1PC

STEP 4

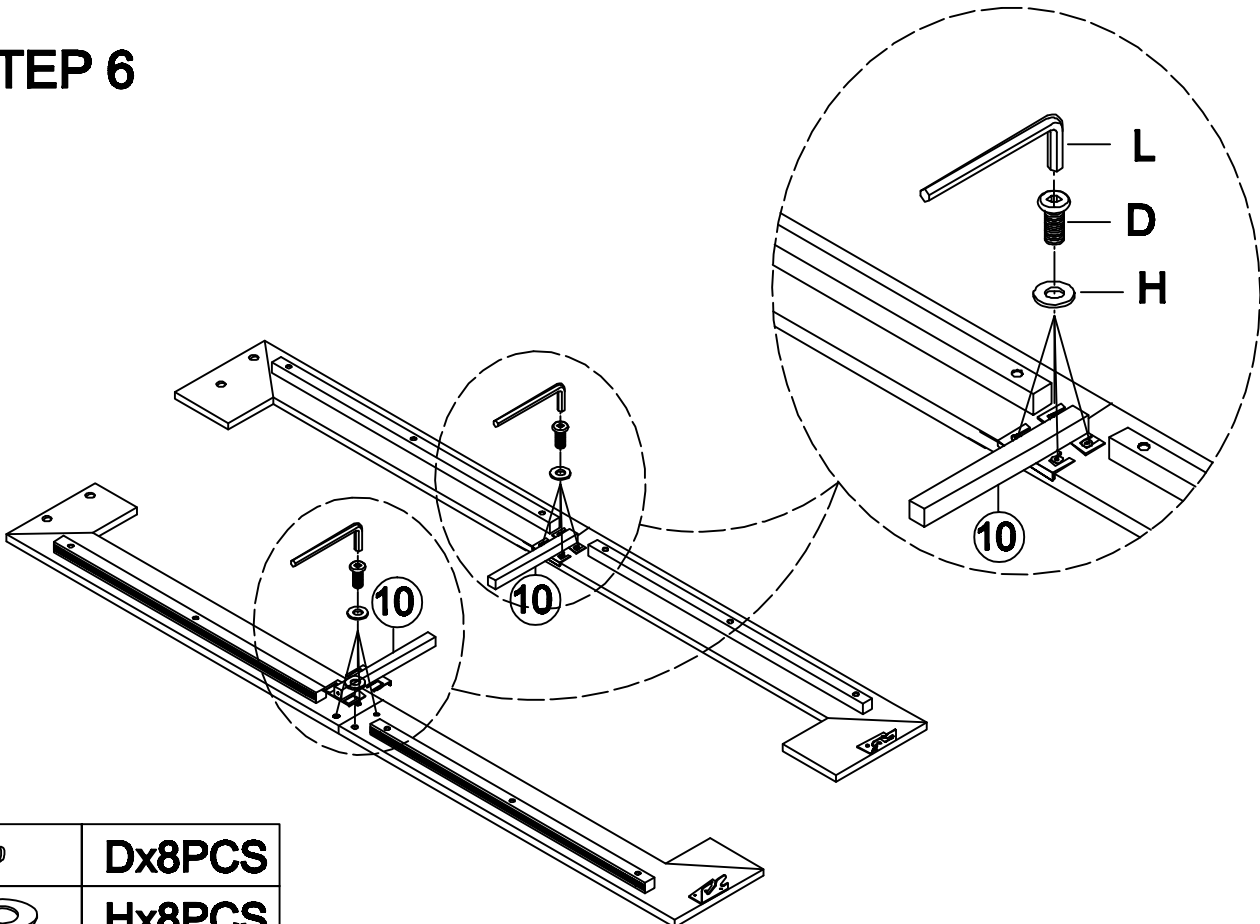





STEP 5



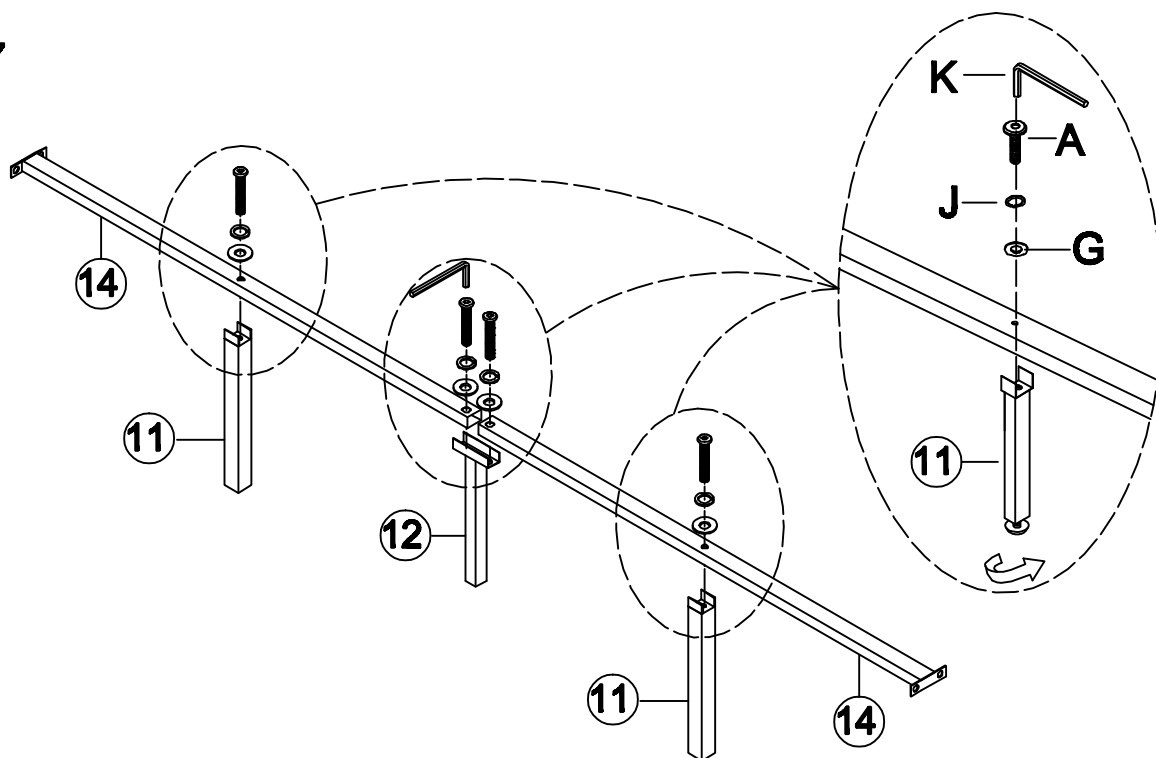
	Fx12PCS
	Hx12PCS
	Lx1PC

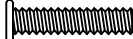



STEP 6



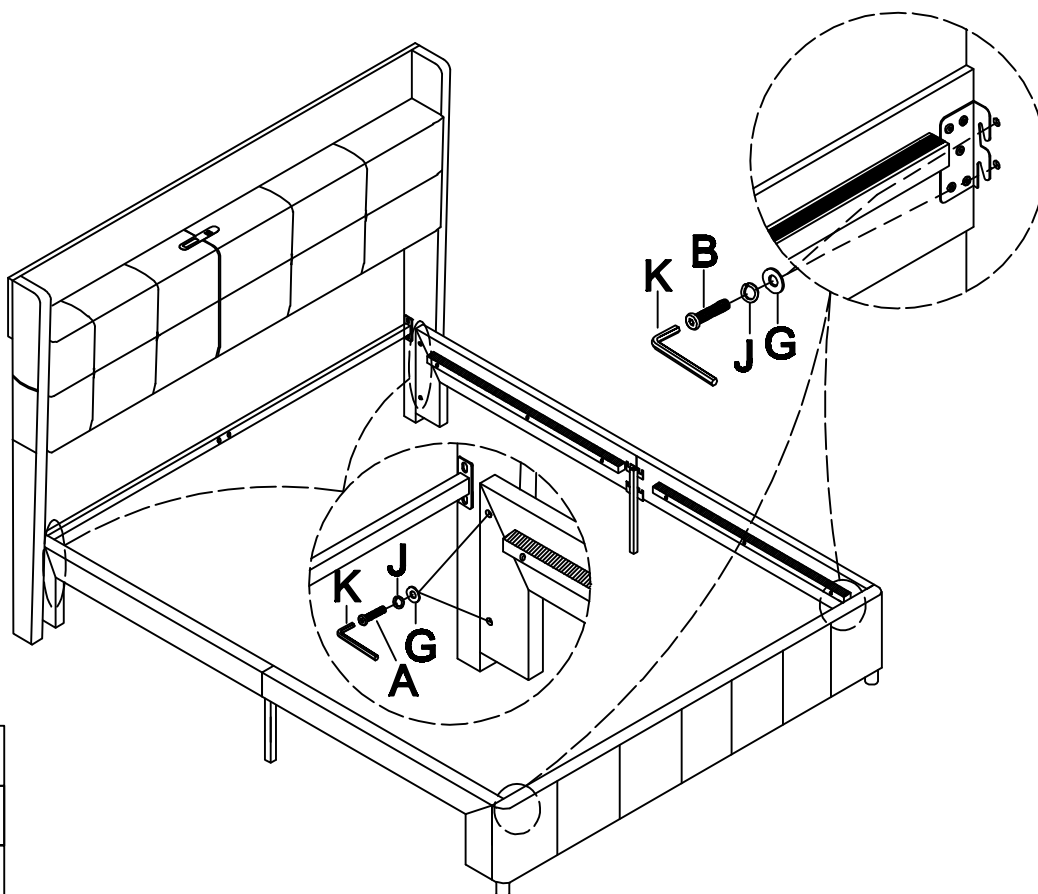
	Dx8PCS
	Hx8PCS
	Lx1PC

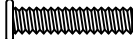




STEP 7



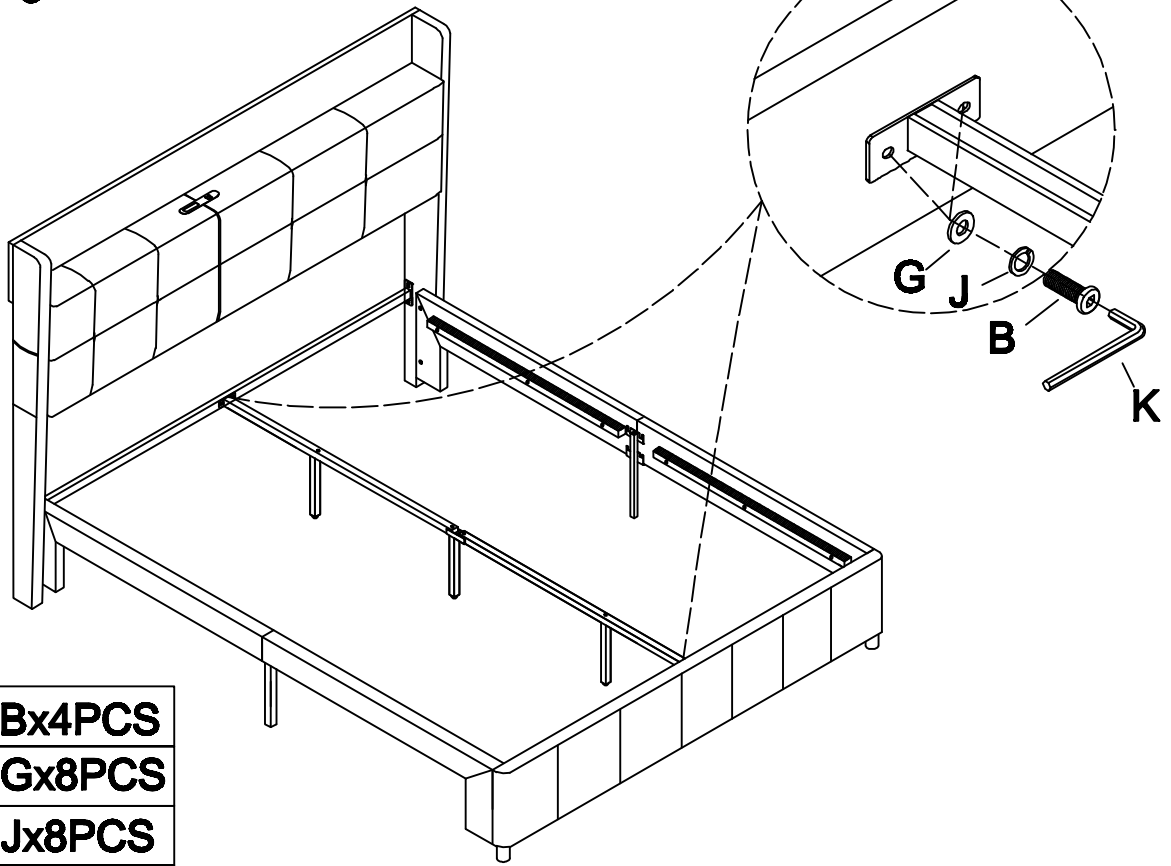
	Ax4PCS
	Gx4PCS
	Jx4PCS
	Kx1PC





STEP 8



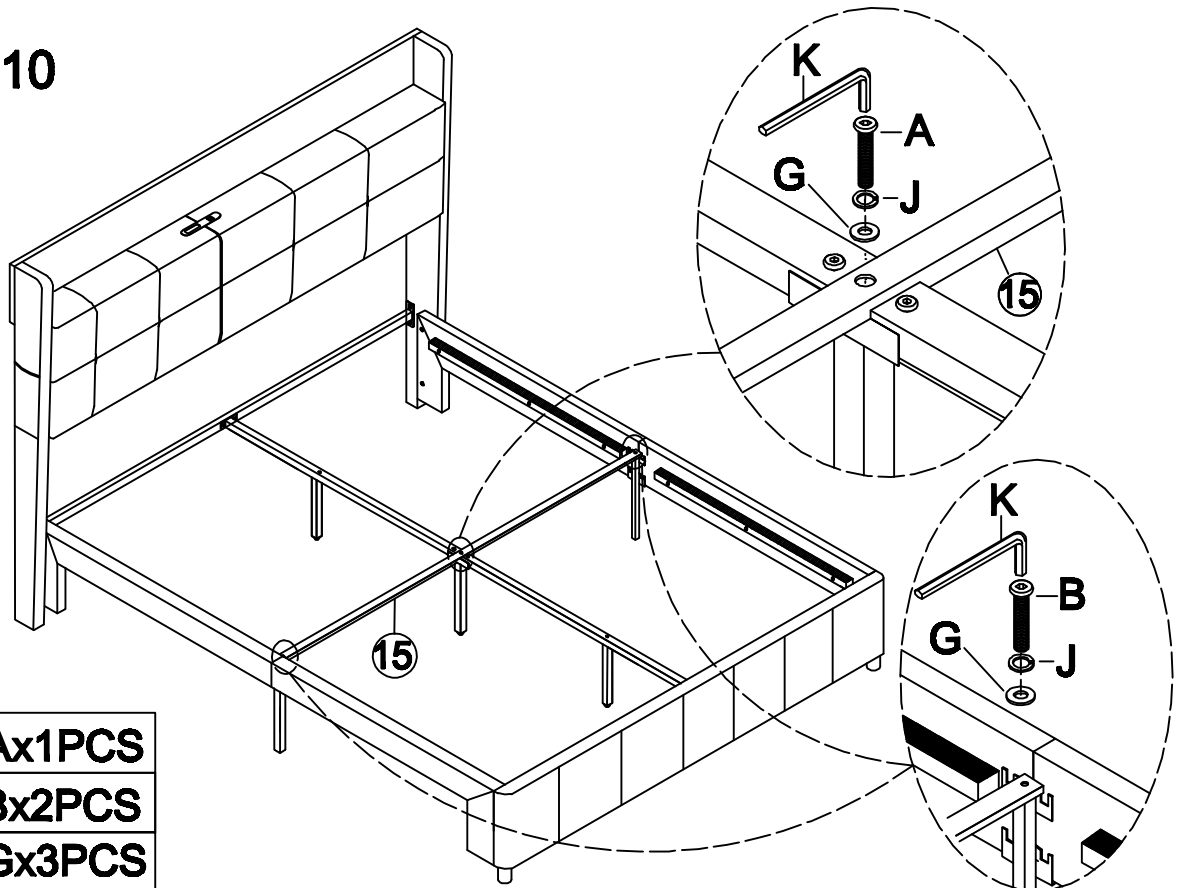
	Ax4PCS
	Bx4PCS
	Gx8PCS
	Jx8PCS
	Kx1PC






STEP 9



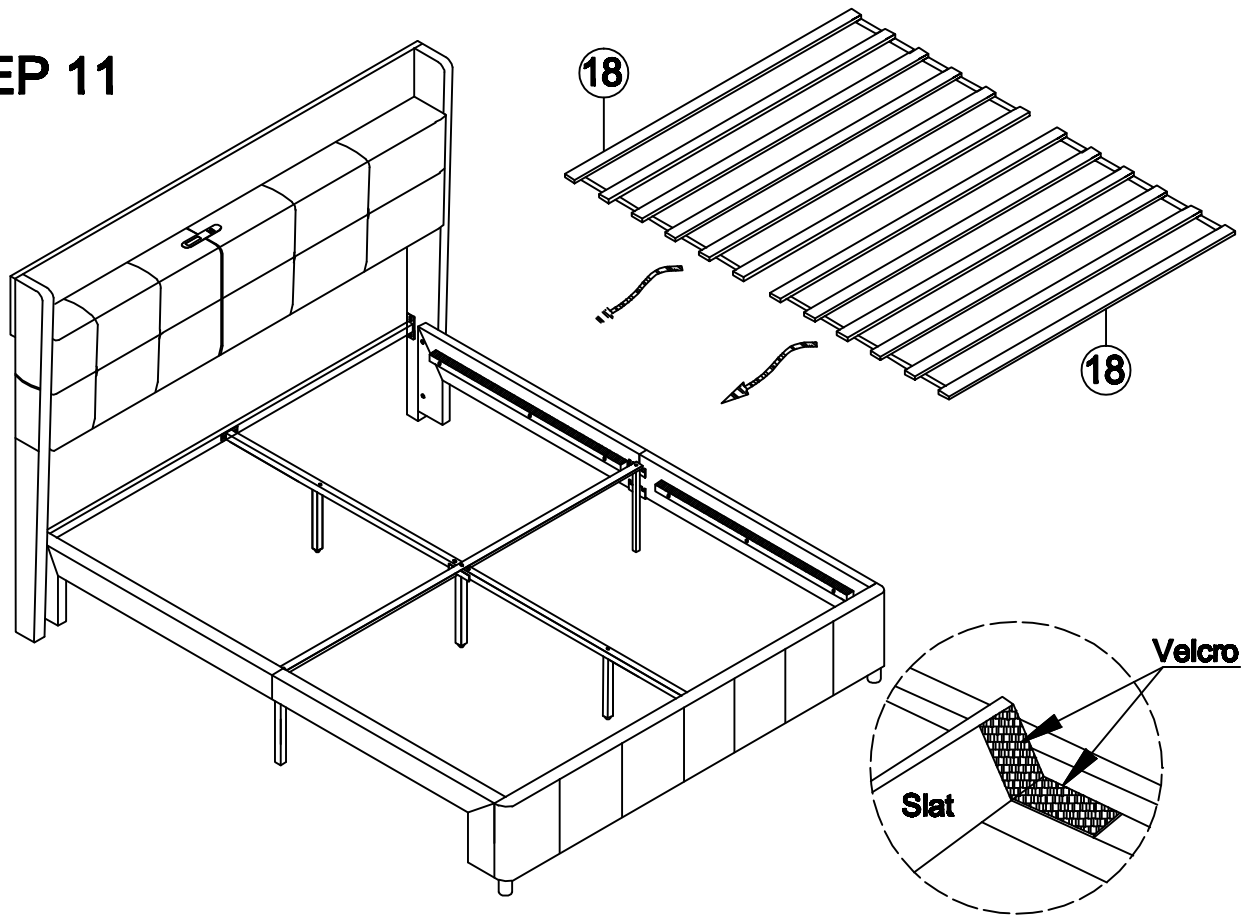
	Bx4PCS
	Gx8PCS
	Jx8PCS
	Kx1PC

STEP 10

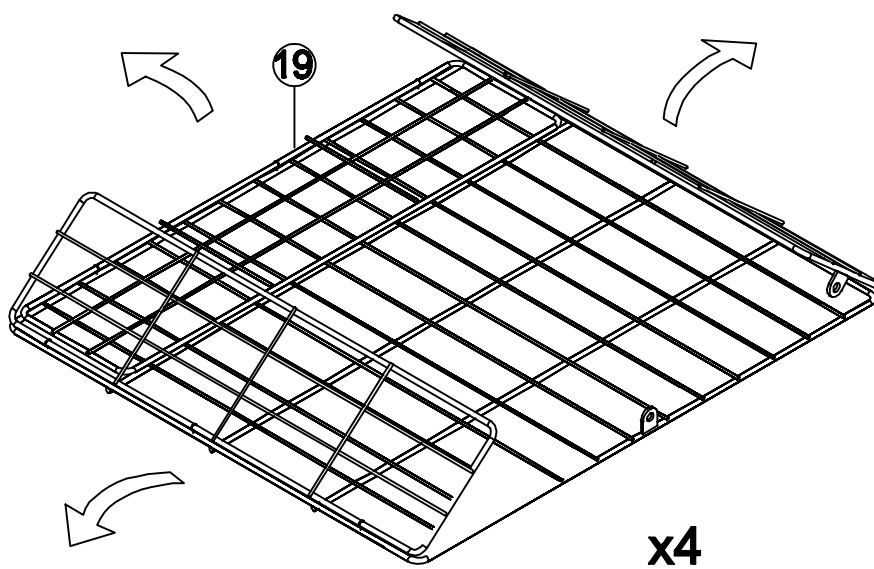


	Ax1PCS
	Bx2PCS
	Gx3PCS
	Jx3PCS
	Kx1PC

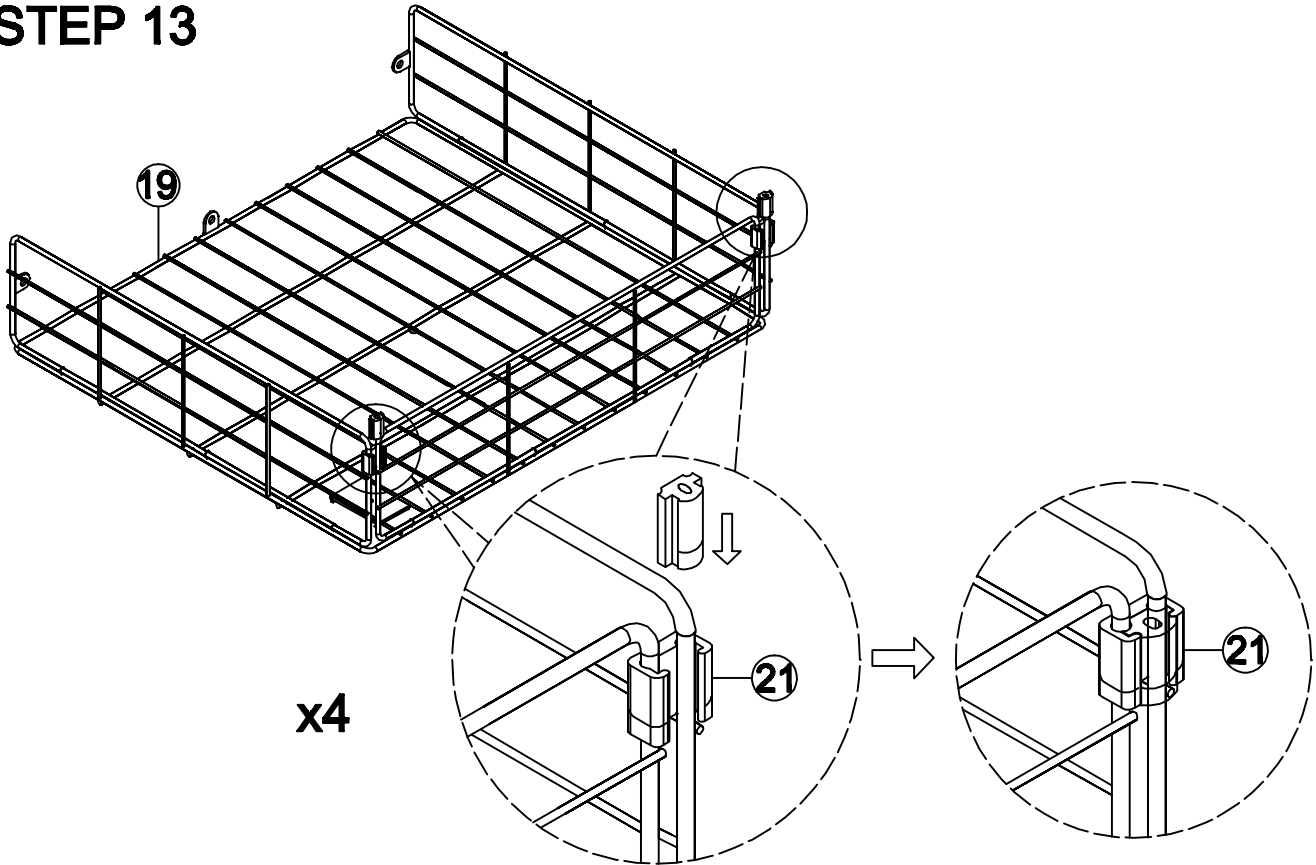
STEP 11



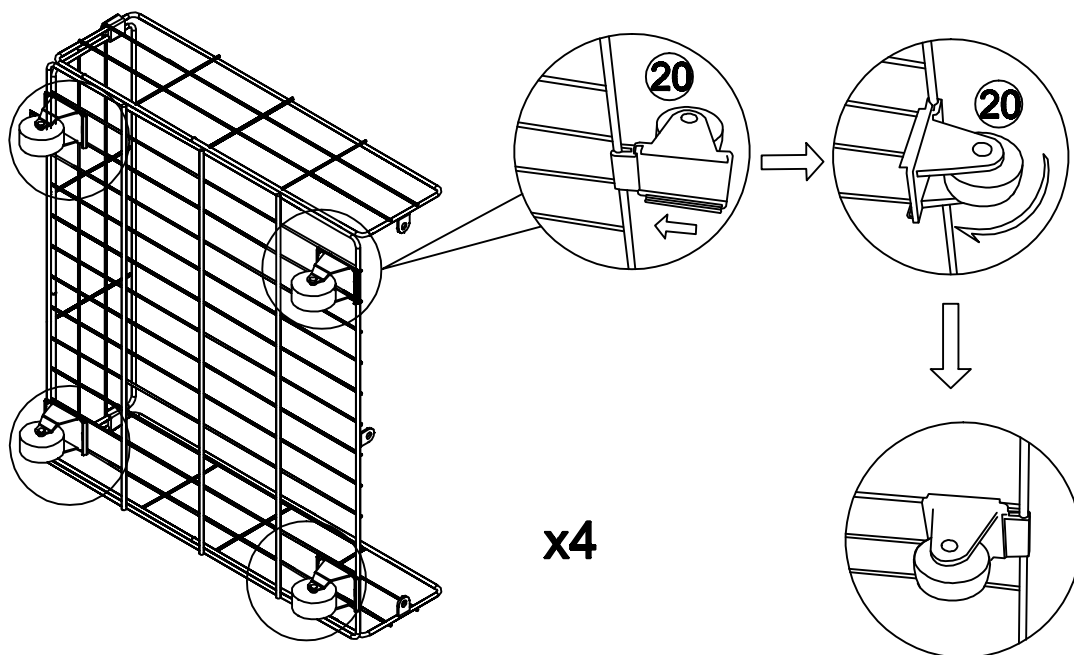
STEP 12



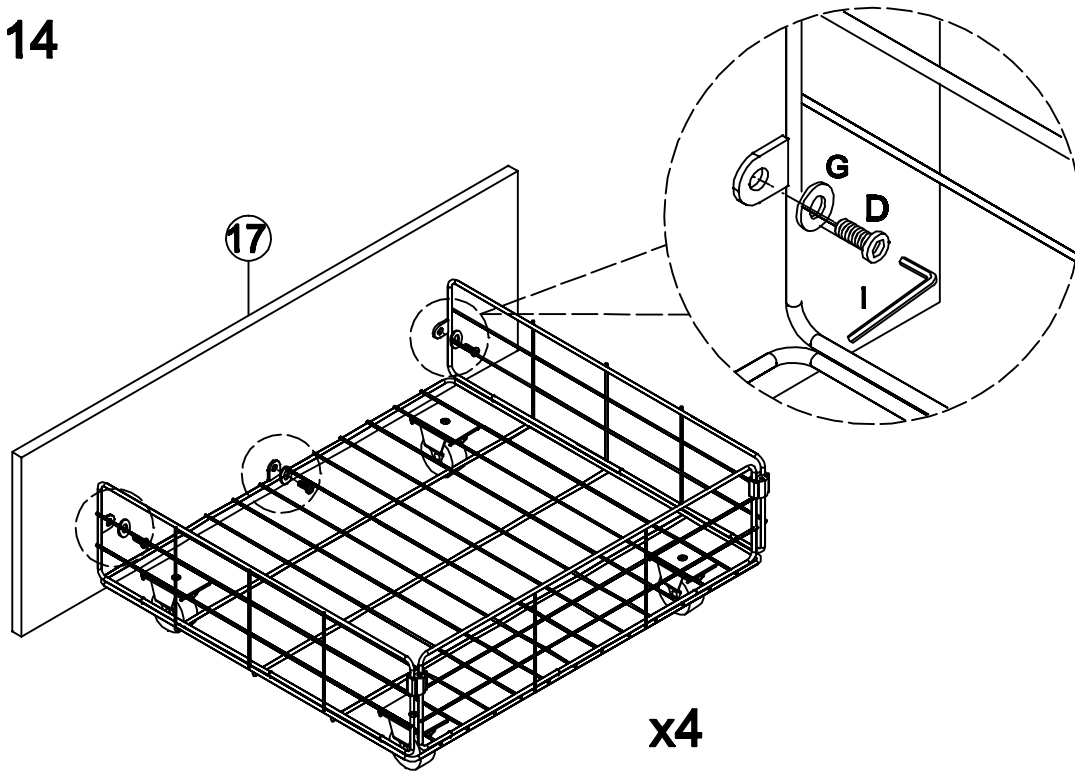
STEP 13





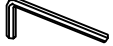
STEP 14



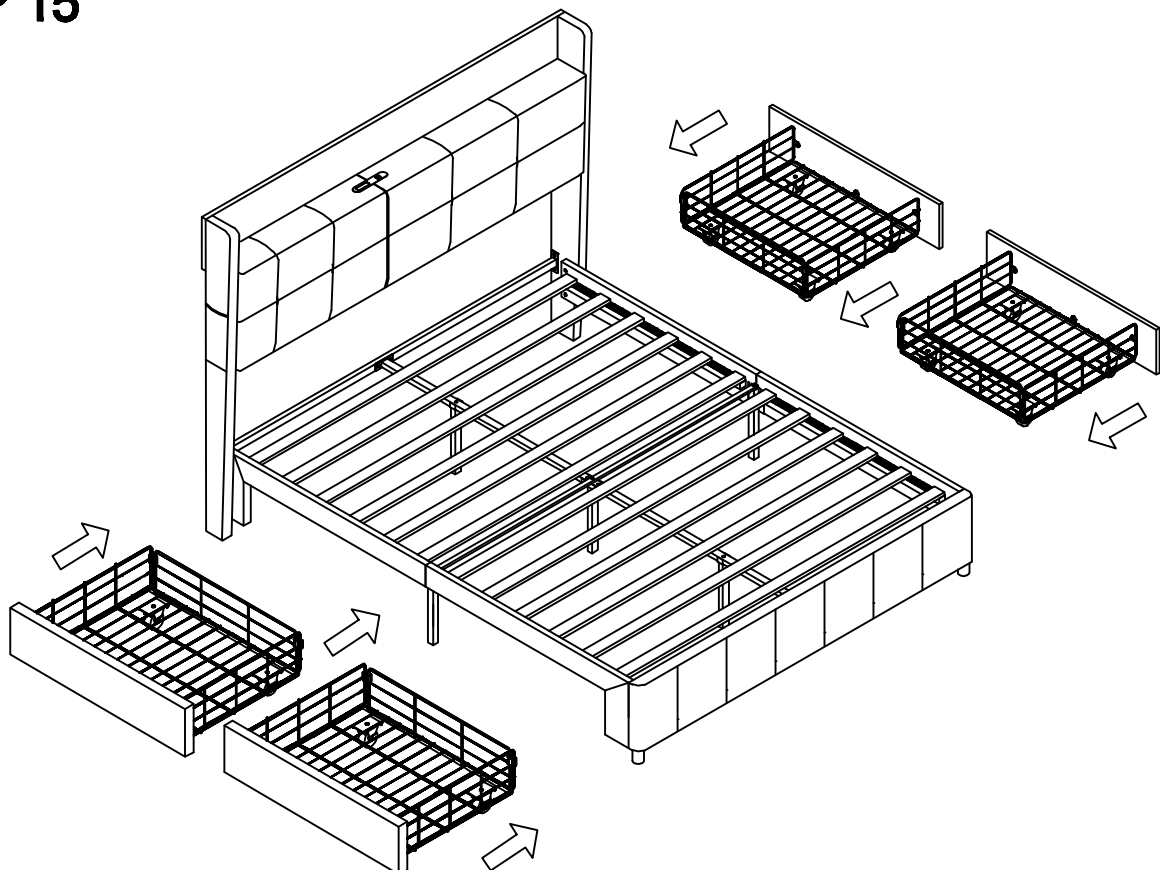
STEP 14



x4

	Dx12PCS
	Gx12PCS
	Lx1PC

STEP 15



STEP 15

