
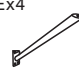
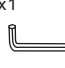


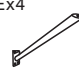
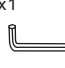








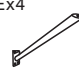
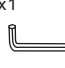




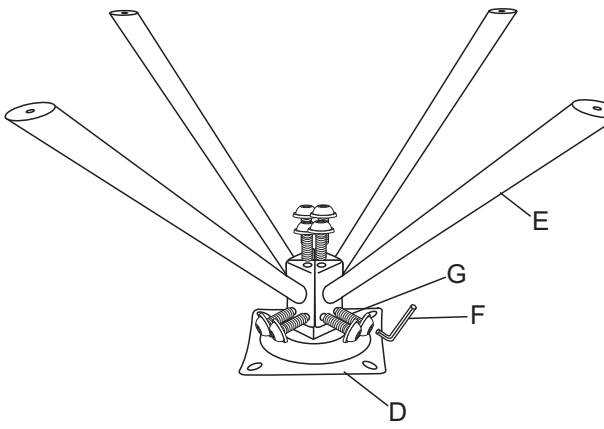
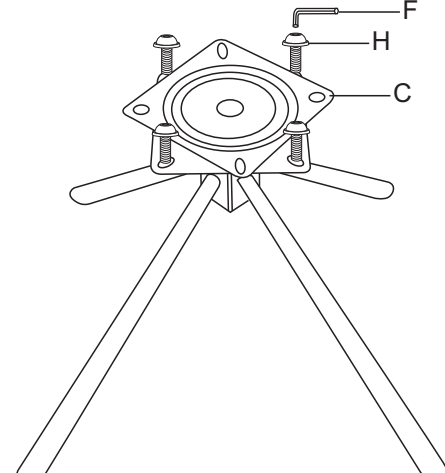
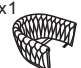

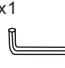
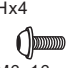
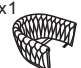

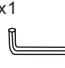
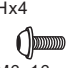
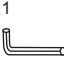

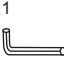

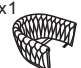

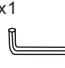
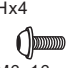
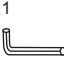

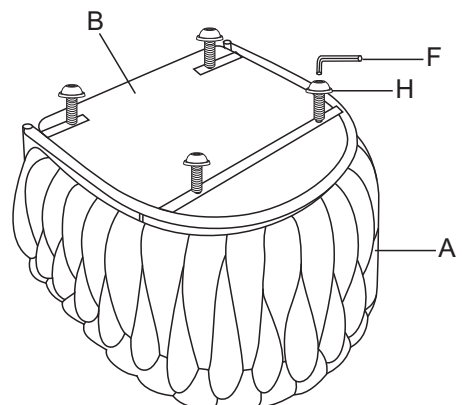
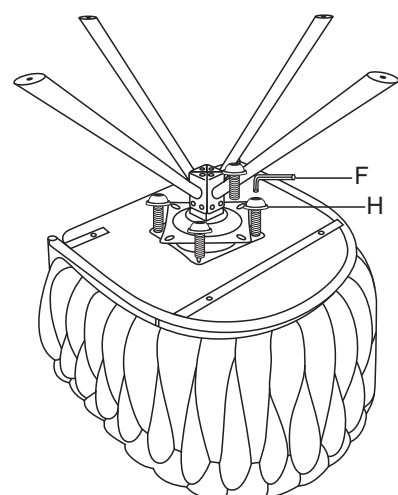
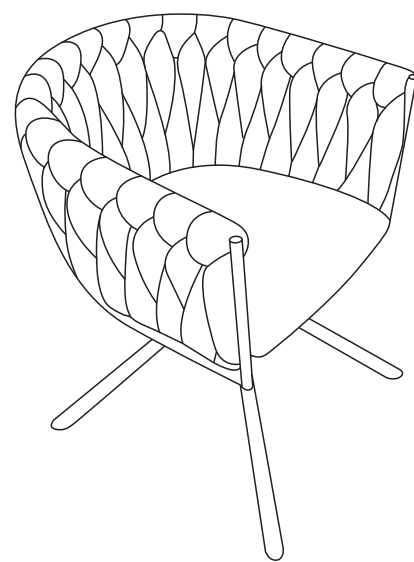
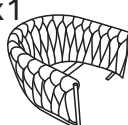

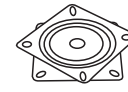

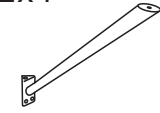
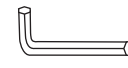
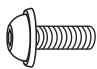
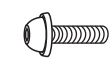
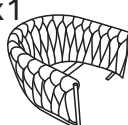

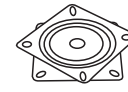

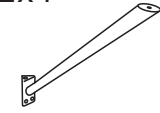
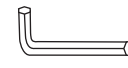
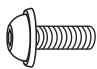
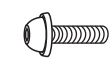
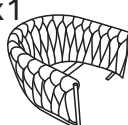

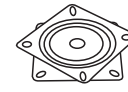

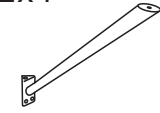
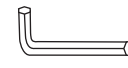
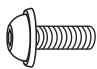


# Installationsanleitung

<b>1</b> <table border="1"> <tr> <td>Dx1 </td> <td>Ex4 </td> <td>Fx1 </td> <td>Gx12 M8x16mm </td> </tr> </table>	Dx1 	Ex4 	Fx1 	Gx12 M8x16mm 	<b>2</b> <table border="1"> <tr> <td>Cx1 </td> <td>Fx1 </td> <td>Hx4 M6x16mm </td> </tr> </table>	Cx1 	Fx1 	Hx4 M6x16mm 					
Dx1 	Ex4 	Fx1 	Gx12 M8x16mm 										
Cx1 	Fx1 	Hx4 M6x16mm 											
 <p>Diagram 1 shows the assembly of the base plate (D) with four legs (E) and a central connector (Dx1). Screws (Ex4) are used to secure the legs to the base plate. The connector (Dx1) is attached to the base plate using screws (Gx12).</p>	 <p>Diagram 2 shows the assembly of the circular base (Cx1) with four legs (E) and a central connector (Dx1). Screws (Hx4) are used to secure the legs to the base plate. The connector (Dx1) is attached to the base plate using screws (Gx12).</p>												
<b>3</b> <table border="1"> <tr> <td>Ax1 </td> <td>Bx1 </td> <td>Fx1 </td> <td>Hx4 M6x16mm </td> </tr> </table>	Ax1 	Bx1 	Fx1 	Hx4 M6x16mm 	<b>4</b> <table border="1"> <tr> <td>Fx1 </td> <td>Hx4 M6x16mm </td> </tr> </table>	Fx1 	Hx4 M6x16mm 						
Ax1 	Bx1 	Fx1 	Hx4 M6x16mm 										
Fx1 	Hx4 M6x16mm 												
 <p>Diagram 3 shows the attachment of the mesh backrest (A) and the square cushion (B) to the base. The backrest (A) is secured to the base using screws (Hx4) and brackets (Fx1). The cushion (B) is placed on the base.</p>	 <p>Diagram 4 shows the final assembly of the chair, including the mesh backrest (A) and the square cushion (B) attached to the base.</p>												
 <p>Final assembled chair.</p>	<table border="1"> <tr> <td>Ax1 </td> <td>Bx1 </td> <td>Cx1 </td> </tr> <tr> <td>Dx1 </td> <td>Ex4 </td> <td>Fx1 </td> </tr> <tr> <td>Gx12 M8x16mm </td> <td>Hx12 M6x16mm </td> <td></td> </tr> <tr> <td></td> <td></td> <td></td> </tr> </table>	Ax1 	Bx1 	Cx1 	Dx1 	Ex4 	Fx1 	Gx12 M8x16mm 	Hx12 M6x16mm 				
Ax1 	Bx1 	Cx1 											
Dx1 	Ex4 	Fx1 											
Gx12 M8x16mm 	Hx12 M6x16mm 