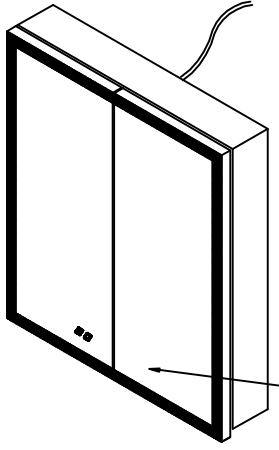
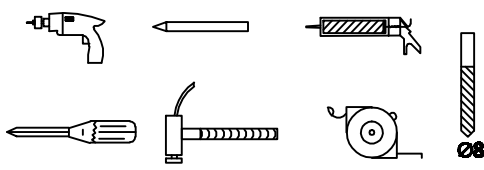
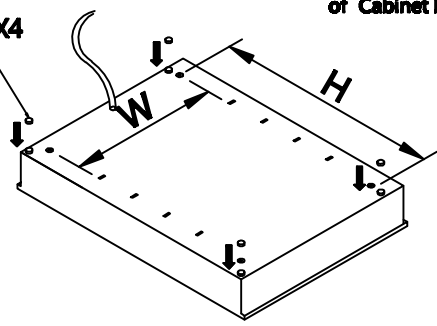
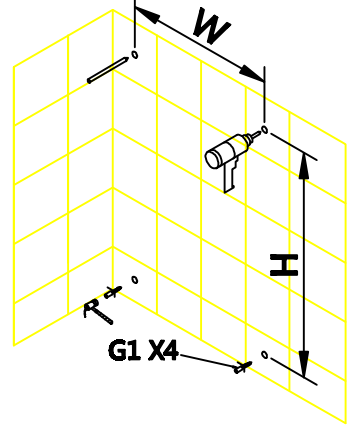
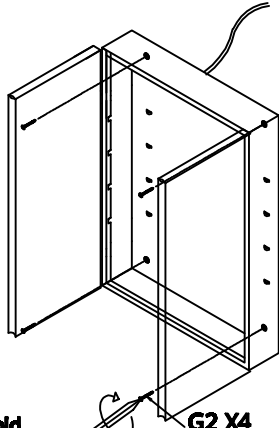
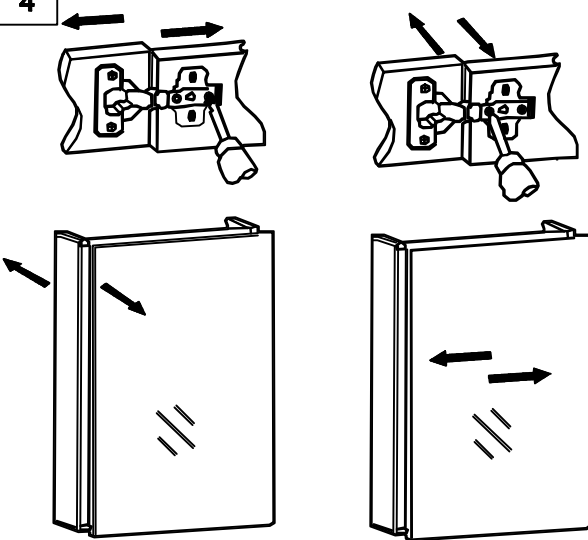
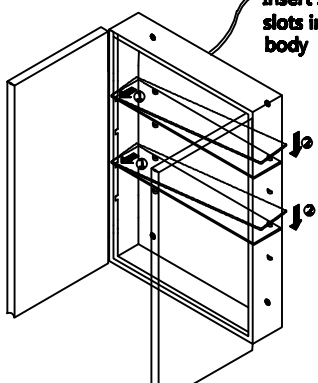
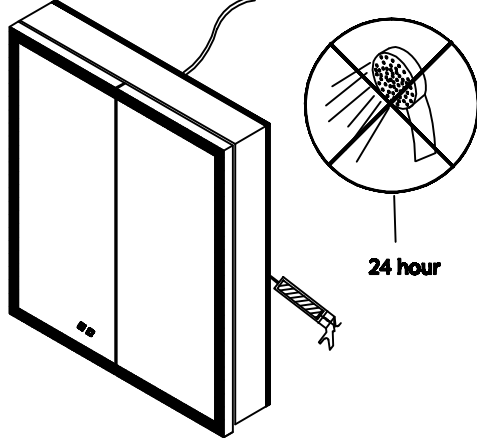


Instructions for LED Mirror Cabinet

 <p>Touch switch</p> <p>Anti-fog</p>	 <p>G1</p> <p>G2</p> <p>G4</p> <p>Ø8</p> <p>40</p> <p>X4</p> <p>X4</p> <p>X4</p>
<p>1</p> <p>Measure width + height of hole location on back of Cabinet body</p> <p>G4 X4</p> <p>W</p> <p>H</p> <p>Cabinet Back</p> 	<p>2</p> <p>Using measurements from "1" to mark holes on wall, Drill holes + insert wall plugs</p> <p>W</p> <p>H</p> <p>G1 X4</p> 
<p>3</p> <p>May require 2 persons hold mirror door against the wall, aligning holes on cabinet body with holes you have drilled on the wall</p> <p>G2 X4</p> 	<p>4</p> 
<p>5</p> <p>Insert shelves into slots in the cabinet body</p> 	<p>6</p>  <p>24 hour</p>