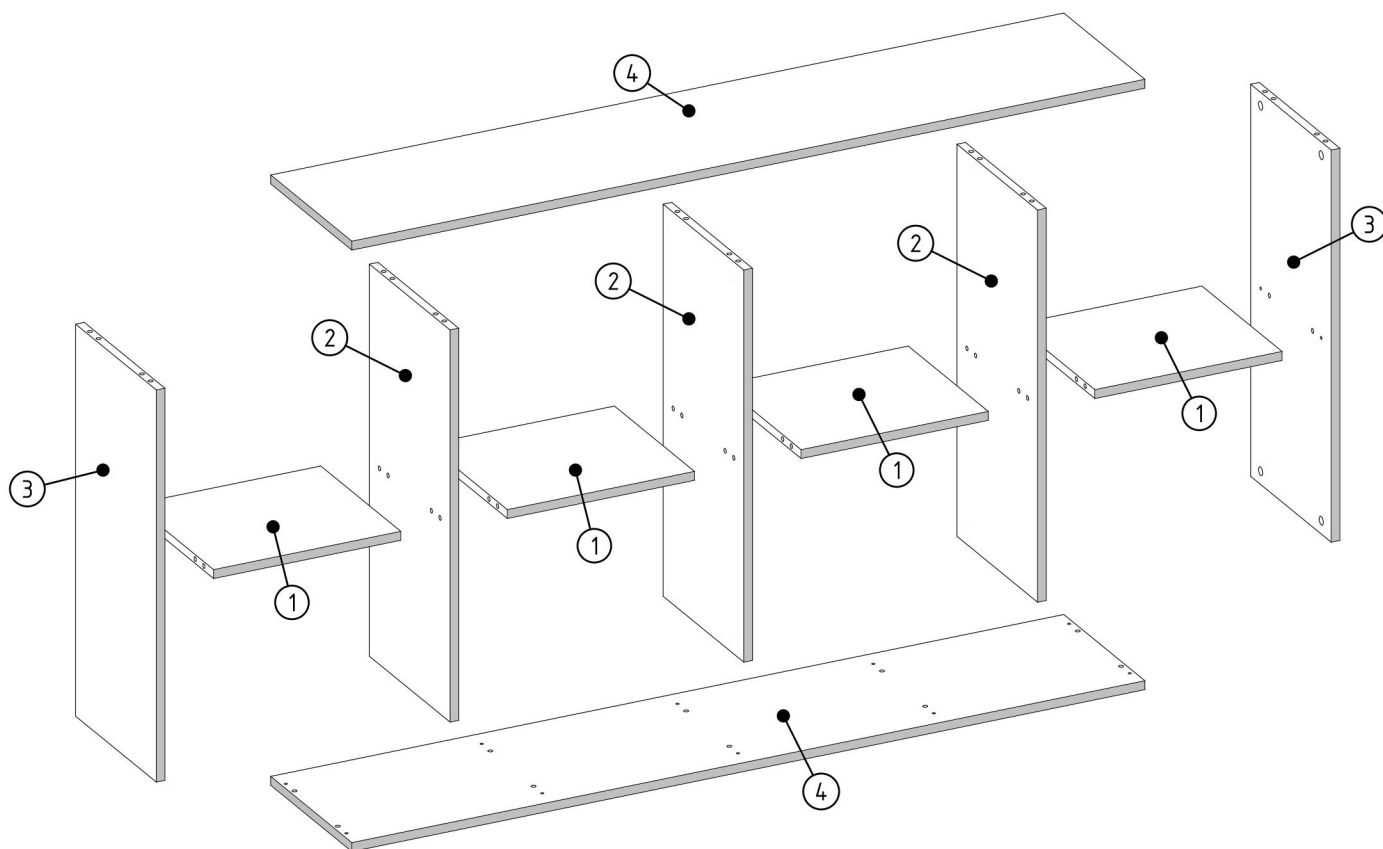

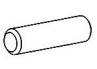
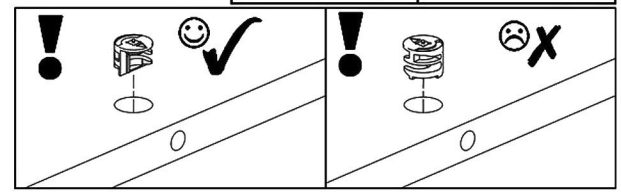
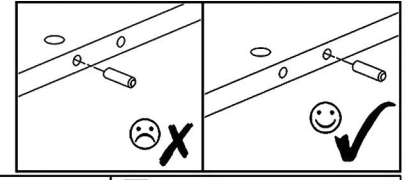
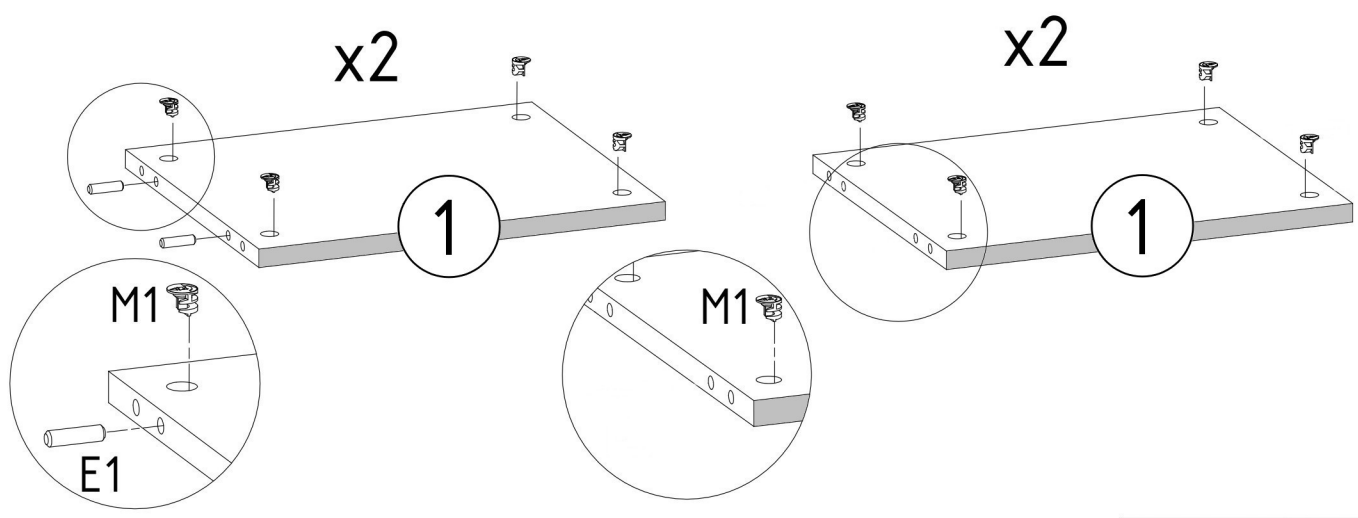



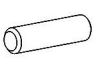
<p>M1</p> <p>12x15mm x36</p>	<p>E1</p> <p>8x30mm x24</p>	<p>N1</p> <p>L=35mm x24</p>	<p>B1</p> <p>B ø17/5-4mm x36</p>	<p>B1</p> <p>S-A ø17/5-4mm x36</p>	<p>E3</p> <p>8x50mm x6</p>	<p>N4</p> <p>L=62mm x6</p>	<p>T1</p> <p>x6</p>
------------------------------	-----------------------------	-----------------------------	--------------------------------------	----------------------------------------	----------------------------	----------------------------	---------------------

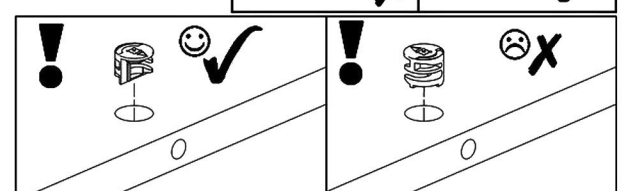
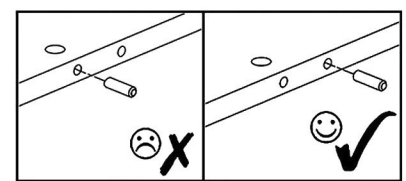
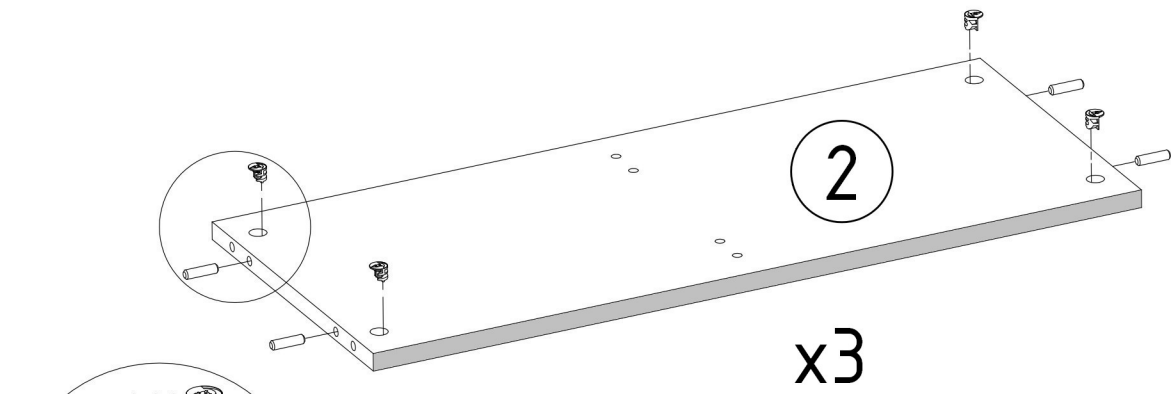





1	x	4
2	x	3
3	x	2
4	x	2

M1  12x15mm	E1  8x30mm
x16	x4

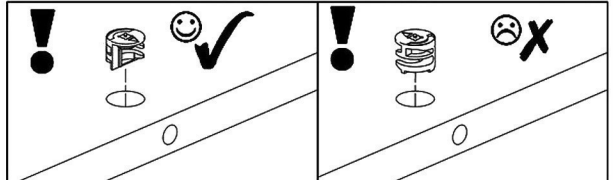
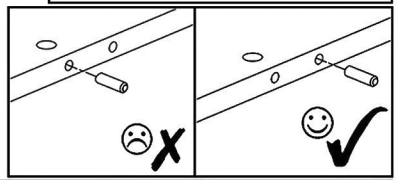
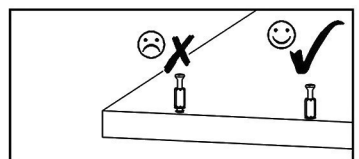
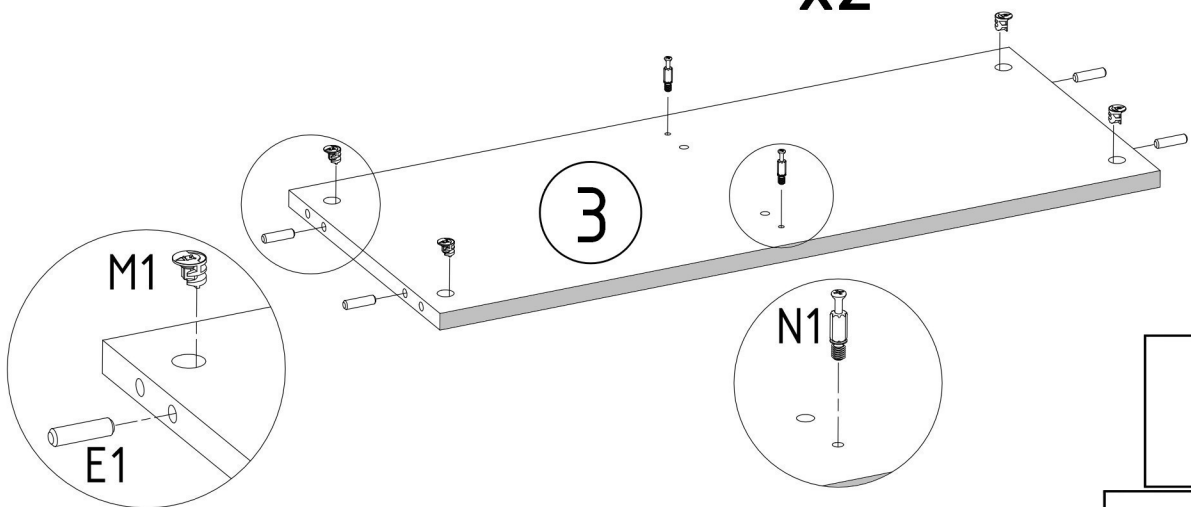




M1  12x15mm	E1  8x30mm
x12	x12

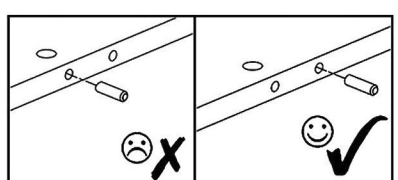
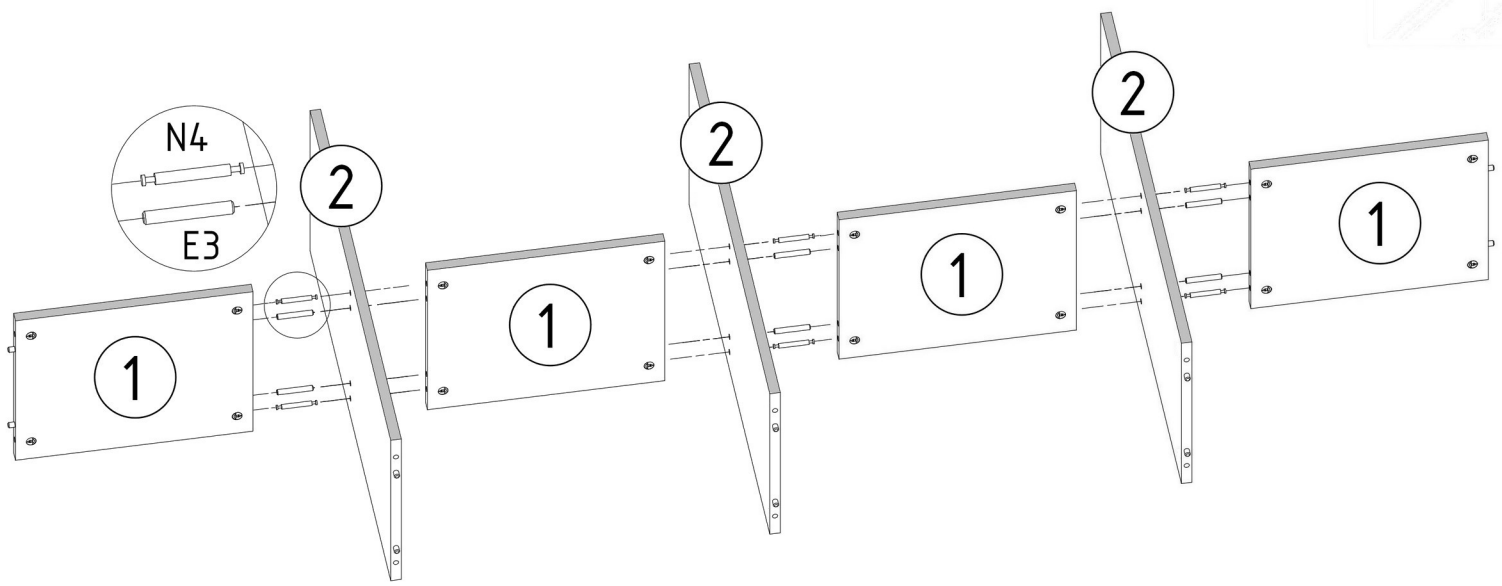
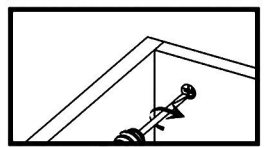
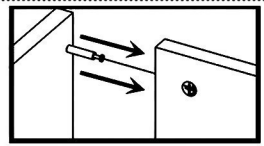


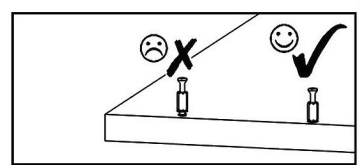
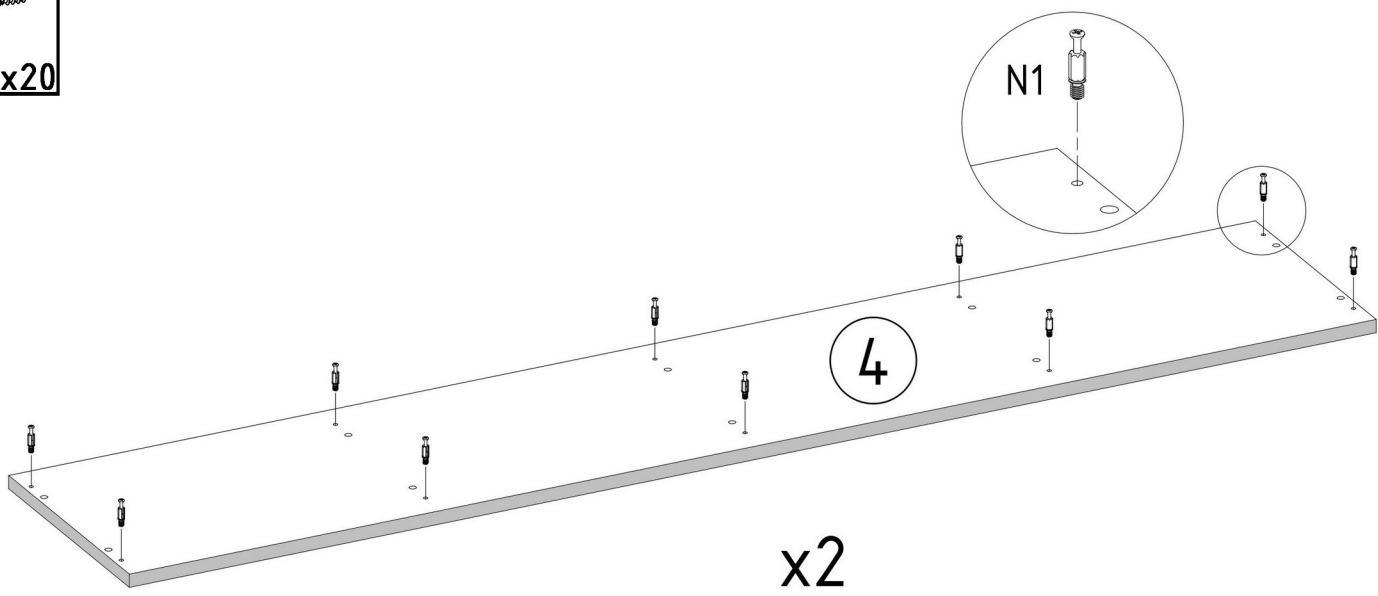
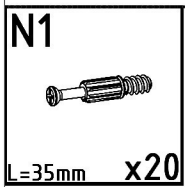
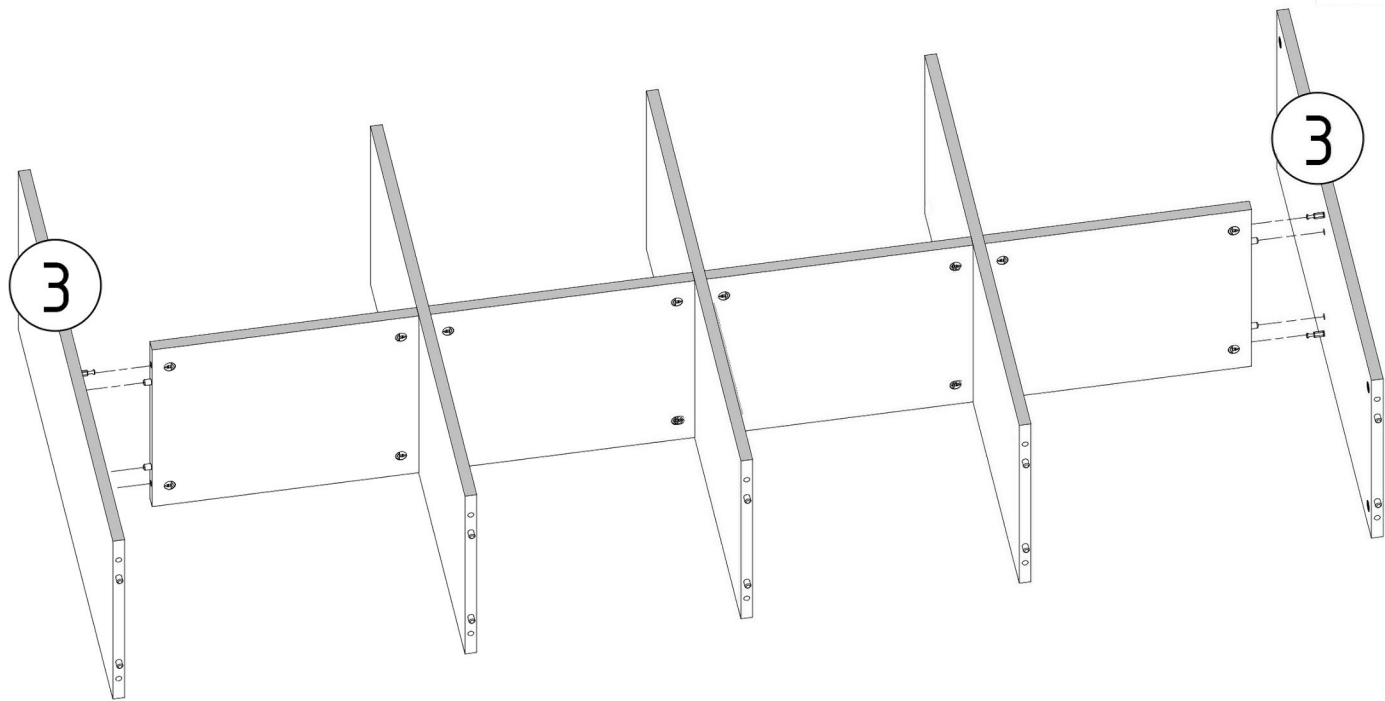
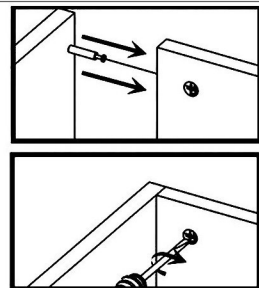
M1  12x15mm x8	E1  8x30mm x8	N1  L=35mm x4
-------------------------------------------------------------------------------------------------------------	-------------------------------------------------------------------------------------------------------------	-------------------------------------------------------------------------------------------------------------

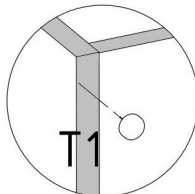
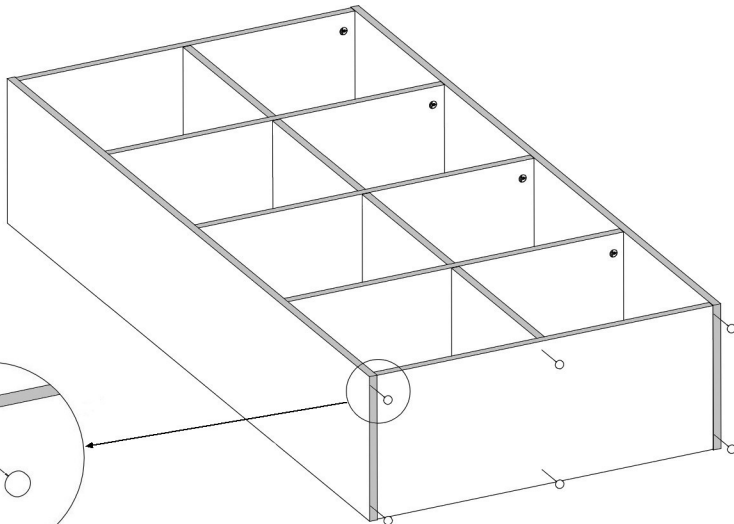
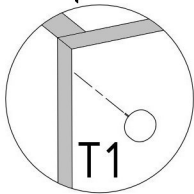
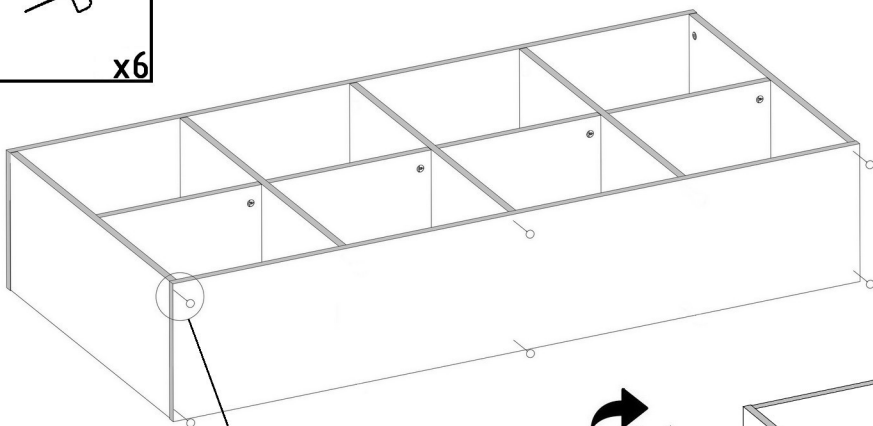
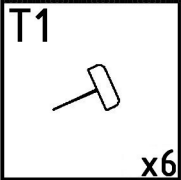
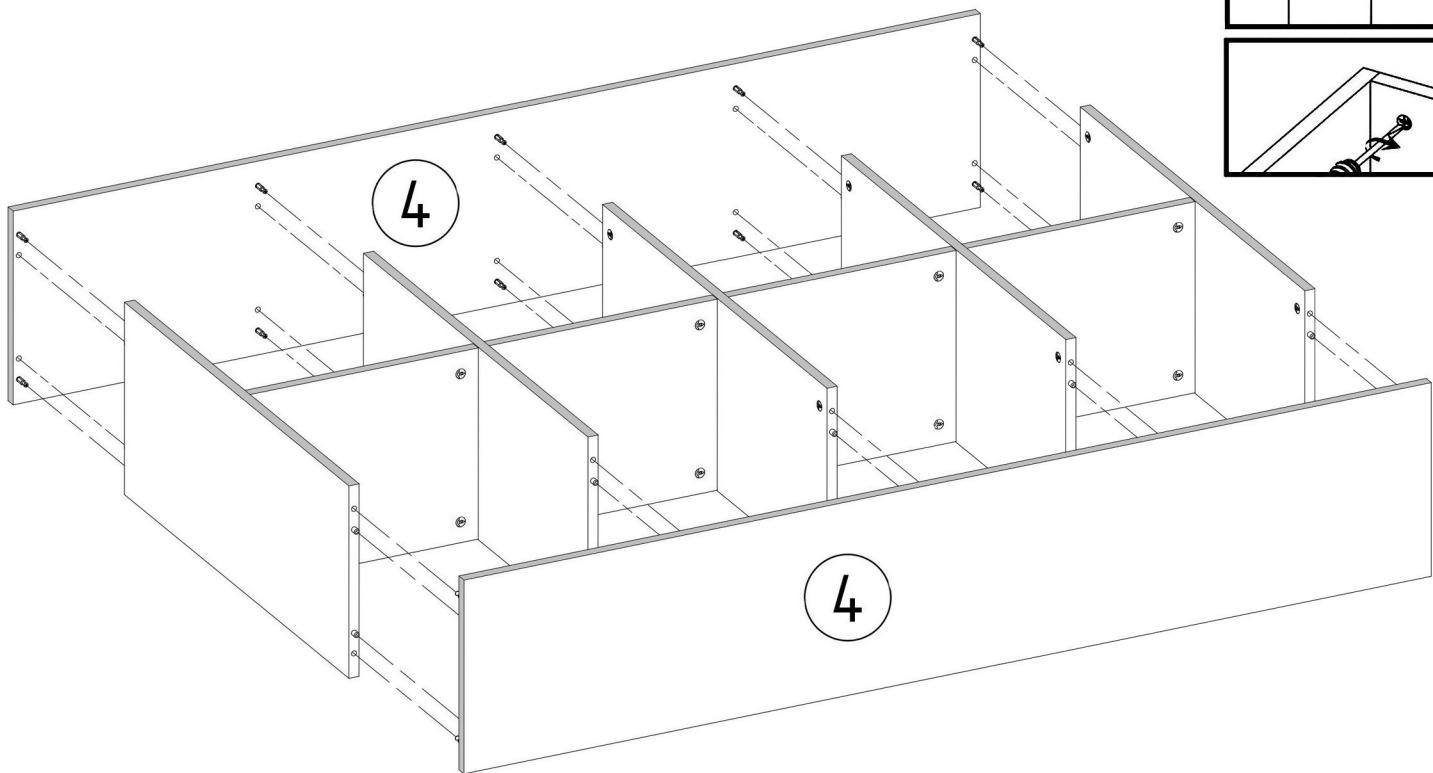
x2



E3  8x50mm x6	N4  L=62mm x6
--------------------------------------------------------------------------------------------------------------	---------------------------------------------------------------------------------------------------------------



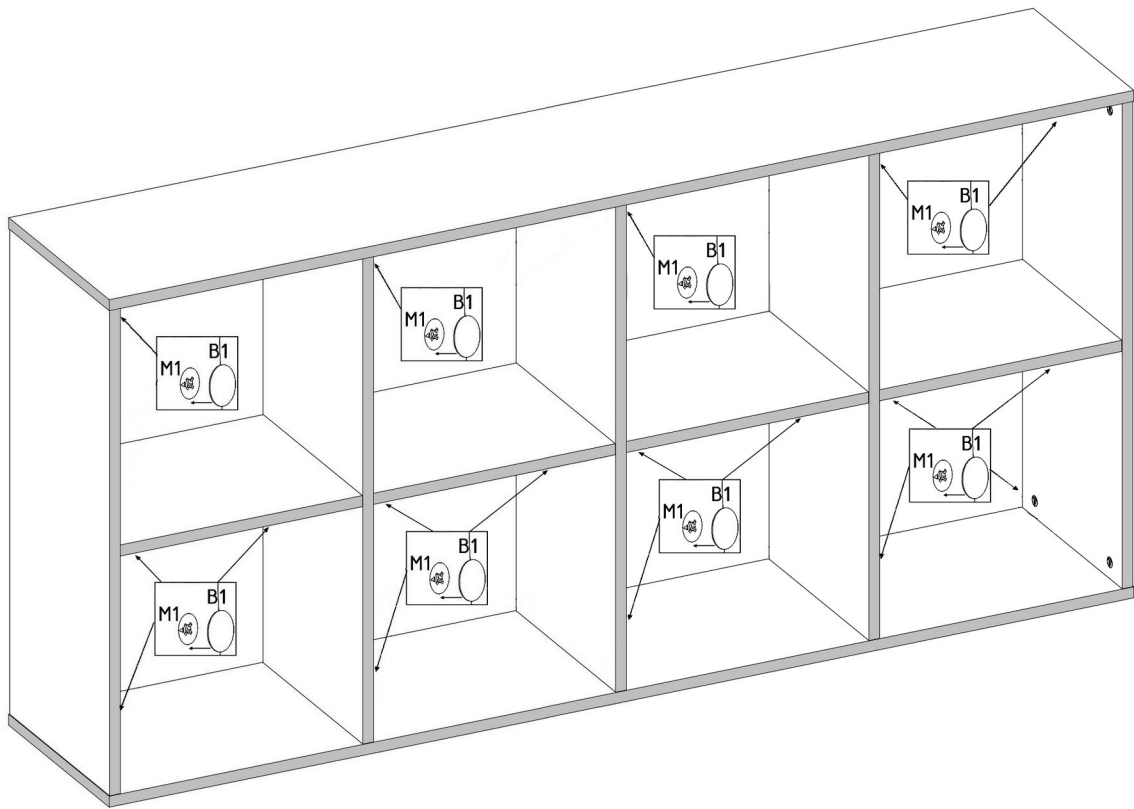




B1



ø17/5-4mm x36



V13



x1

