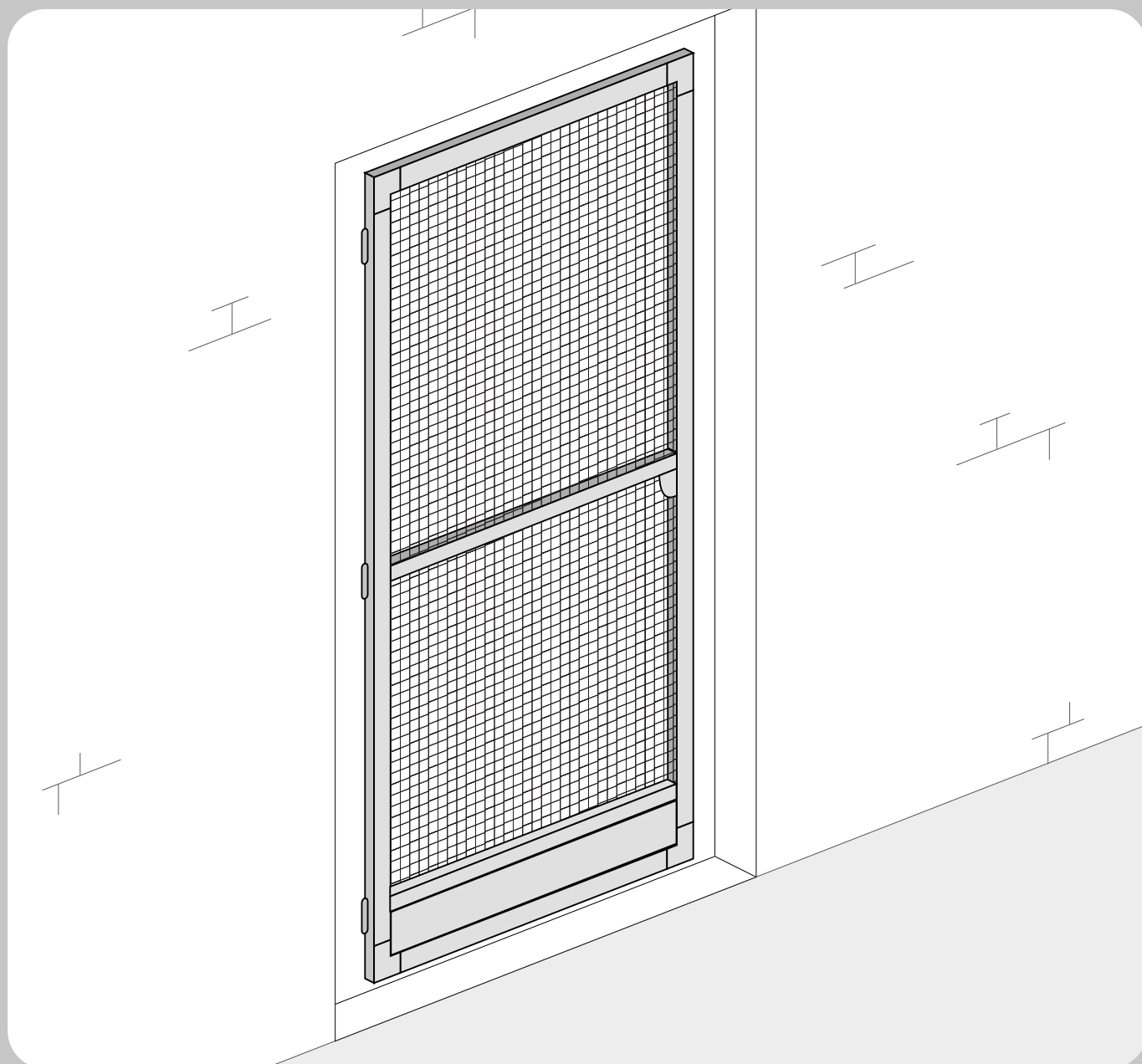
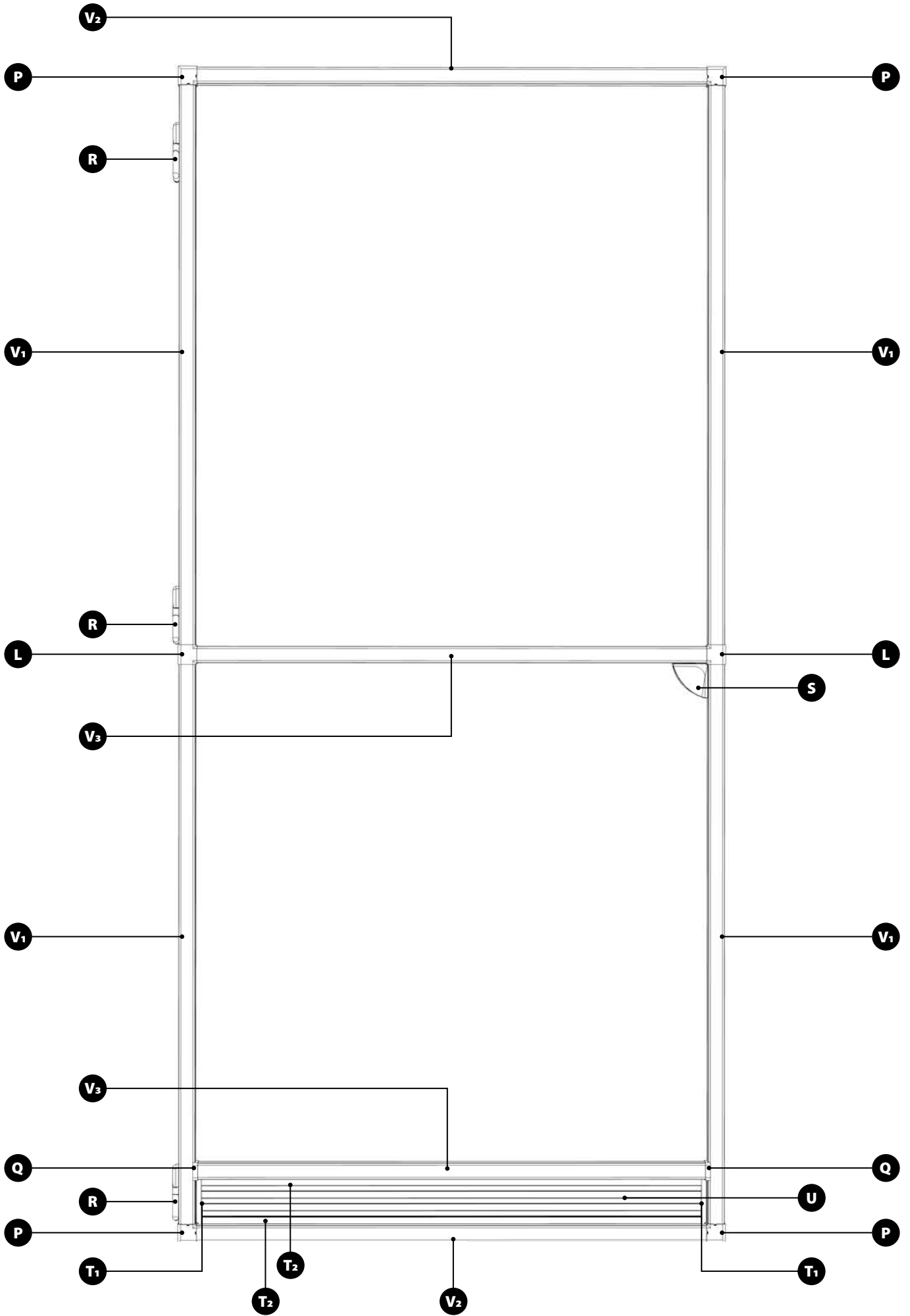
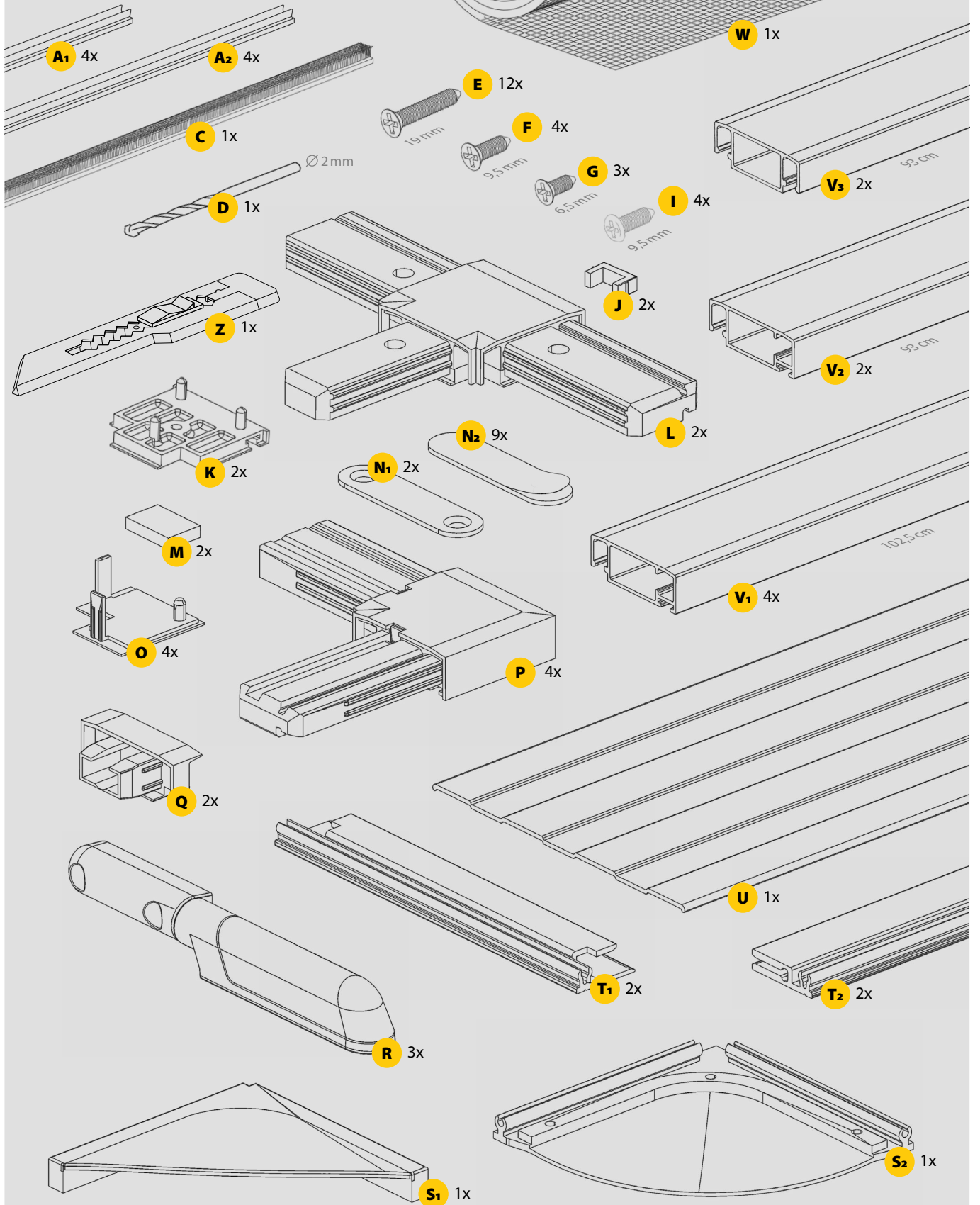
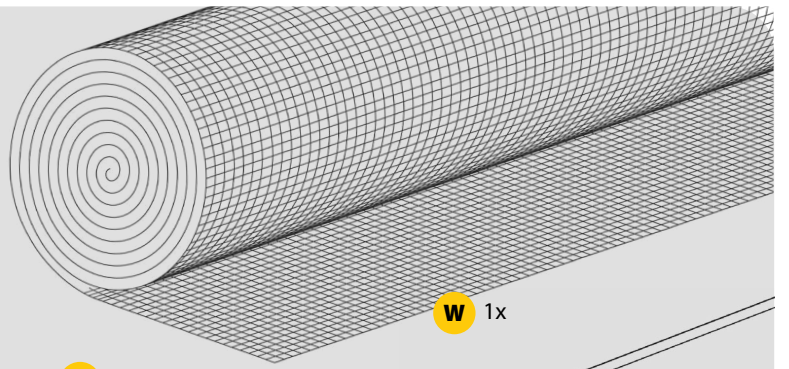
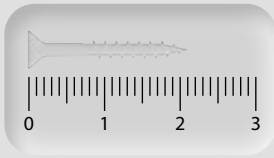


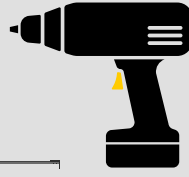
# **INSECTSYSTEM PREMIUM**

70093, 70094, 70095, 70096

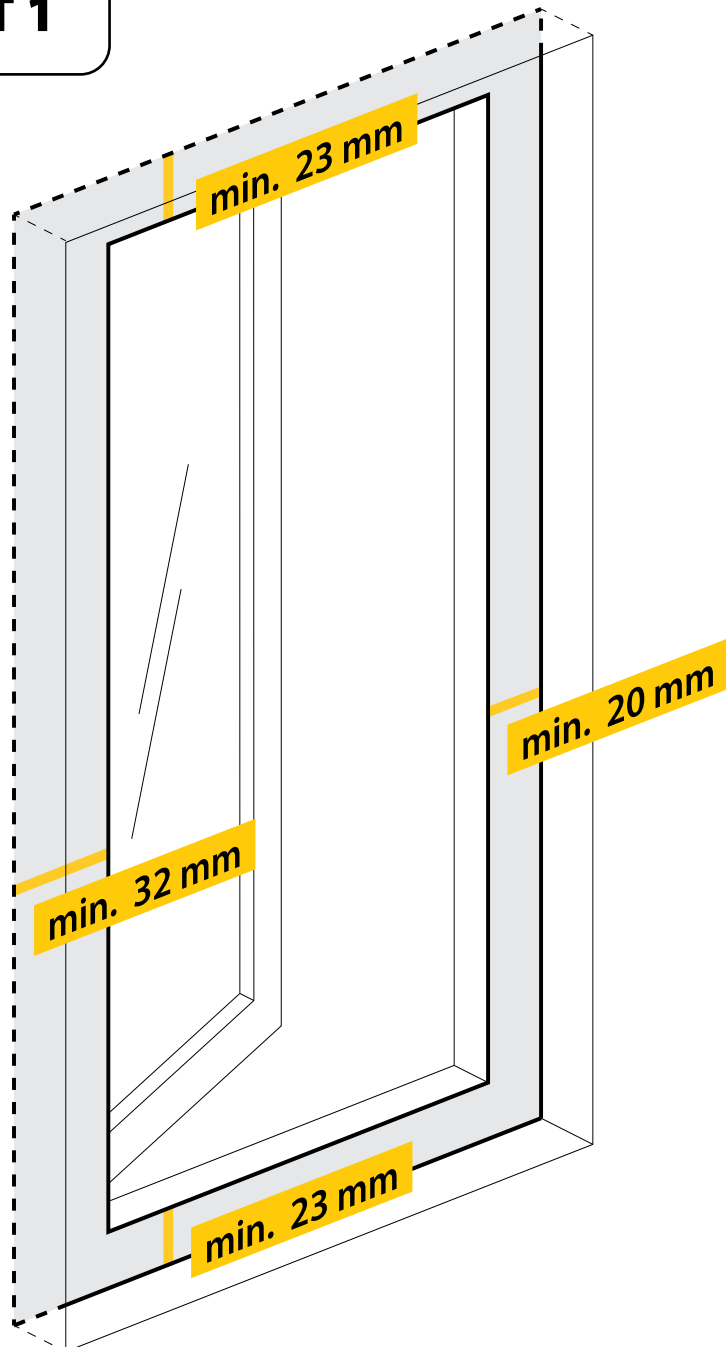




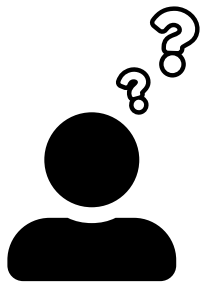




**OPT 1**



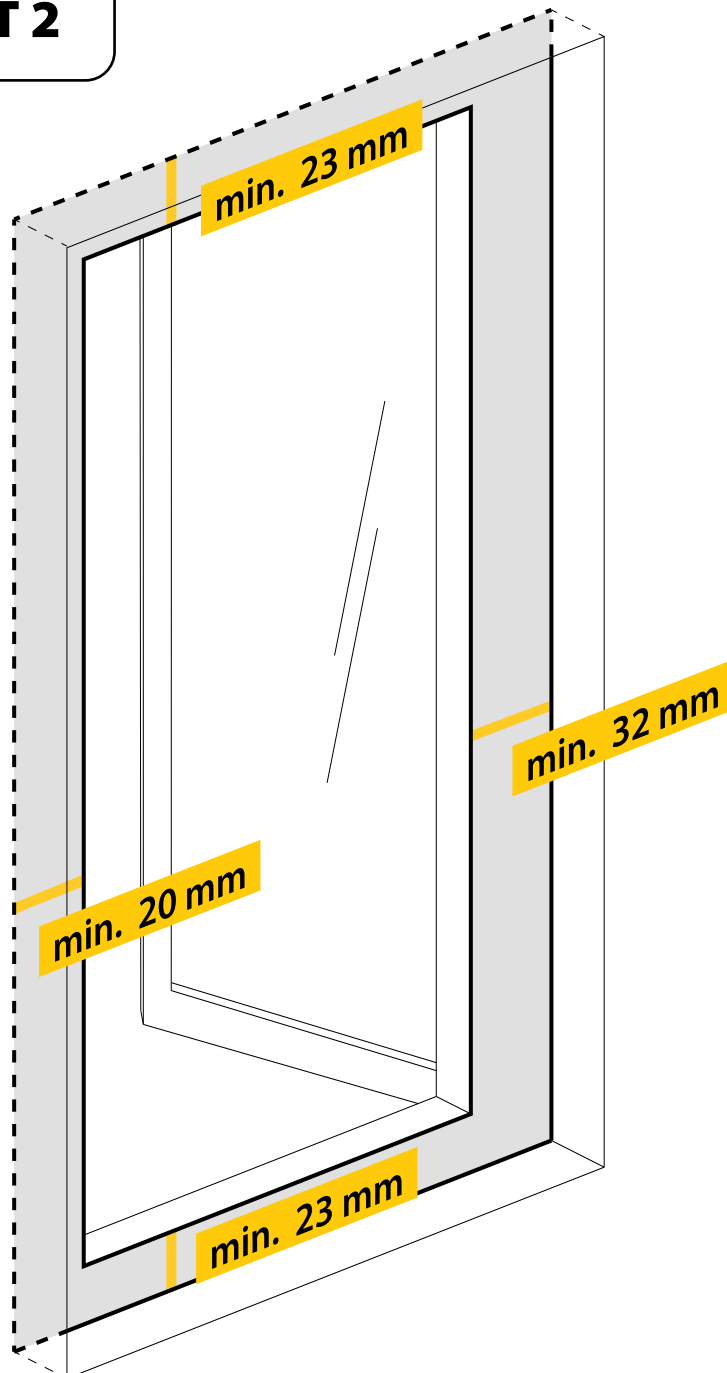




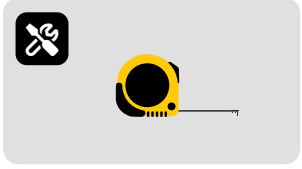
[www.youtube.com/asmedien](http://www.youtube.com/asmedien)



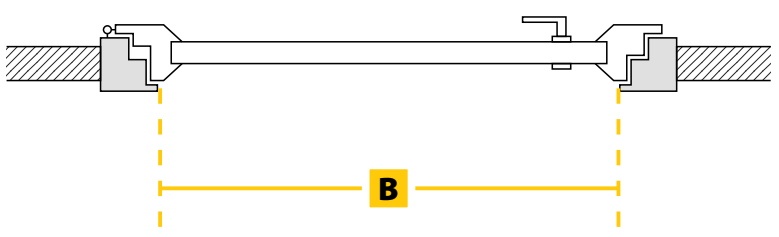
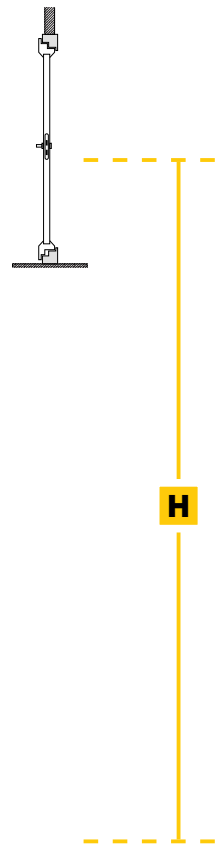
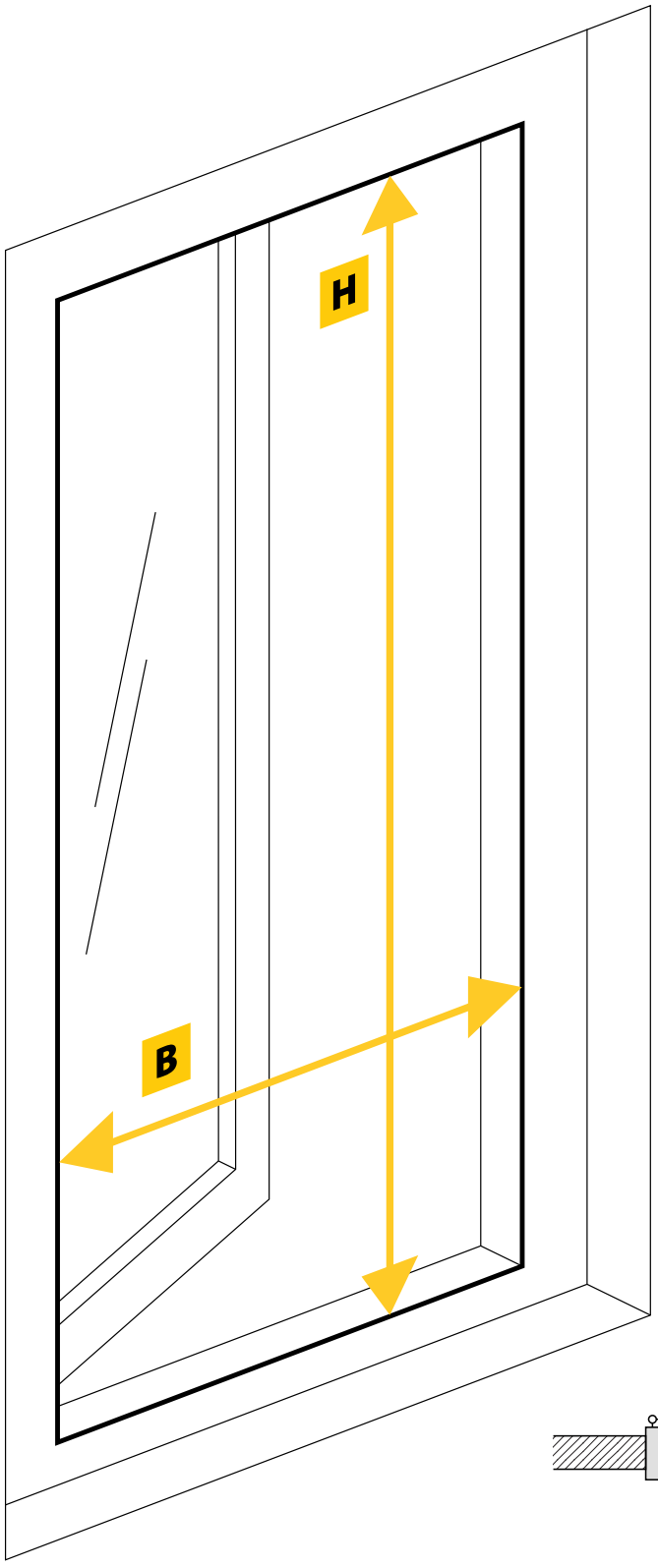
**OPT 2**

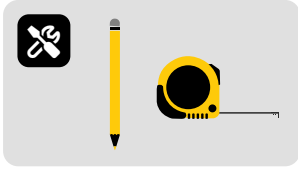


1



 **B** = \_\_\_\_\_ cm      **H** = \_\_\_\_\_ cm





$$V_1 = (H - 6,0 \text{ cm}) : 2 = \underline{\hspace{2cm}} \text{ cm}$$



$$V_2 = B - 3,0 \text{ cm} = \underline{\hspace{2cm}} \text{ cm}$$



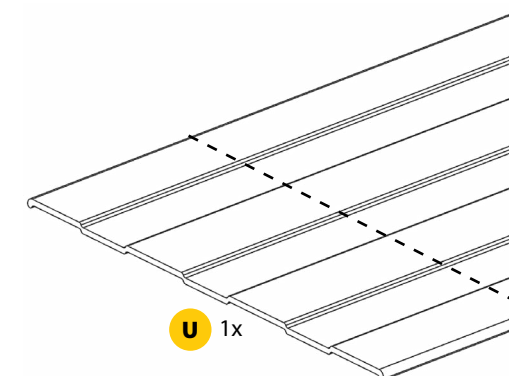
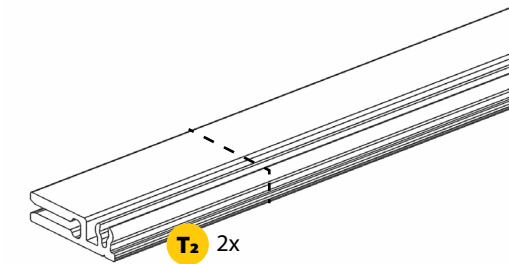
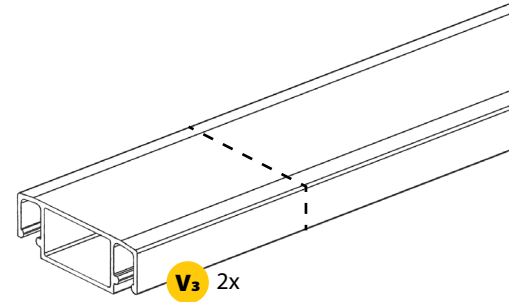
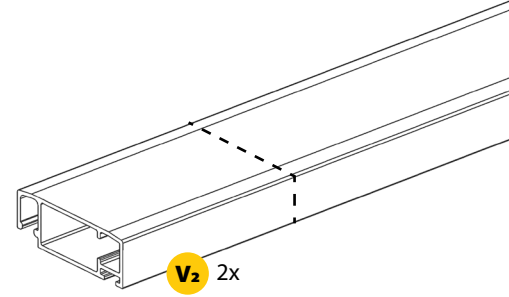
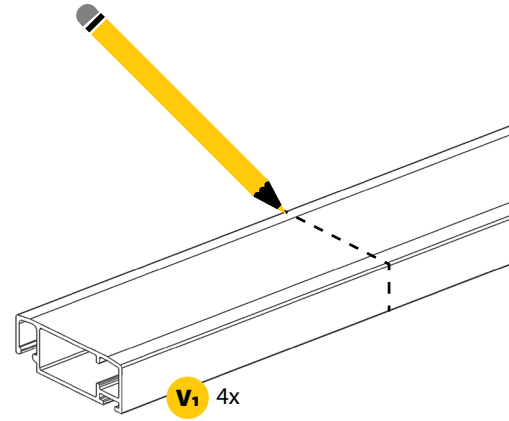
$$V_3 = B - 3,0 \text{ cm} = \underline{\hspace{2cm}} \text{ cm}$$

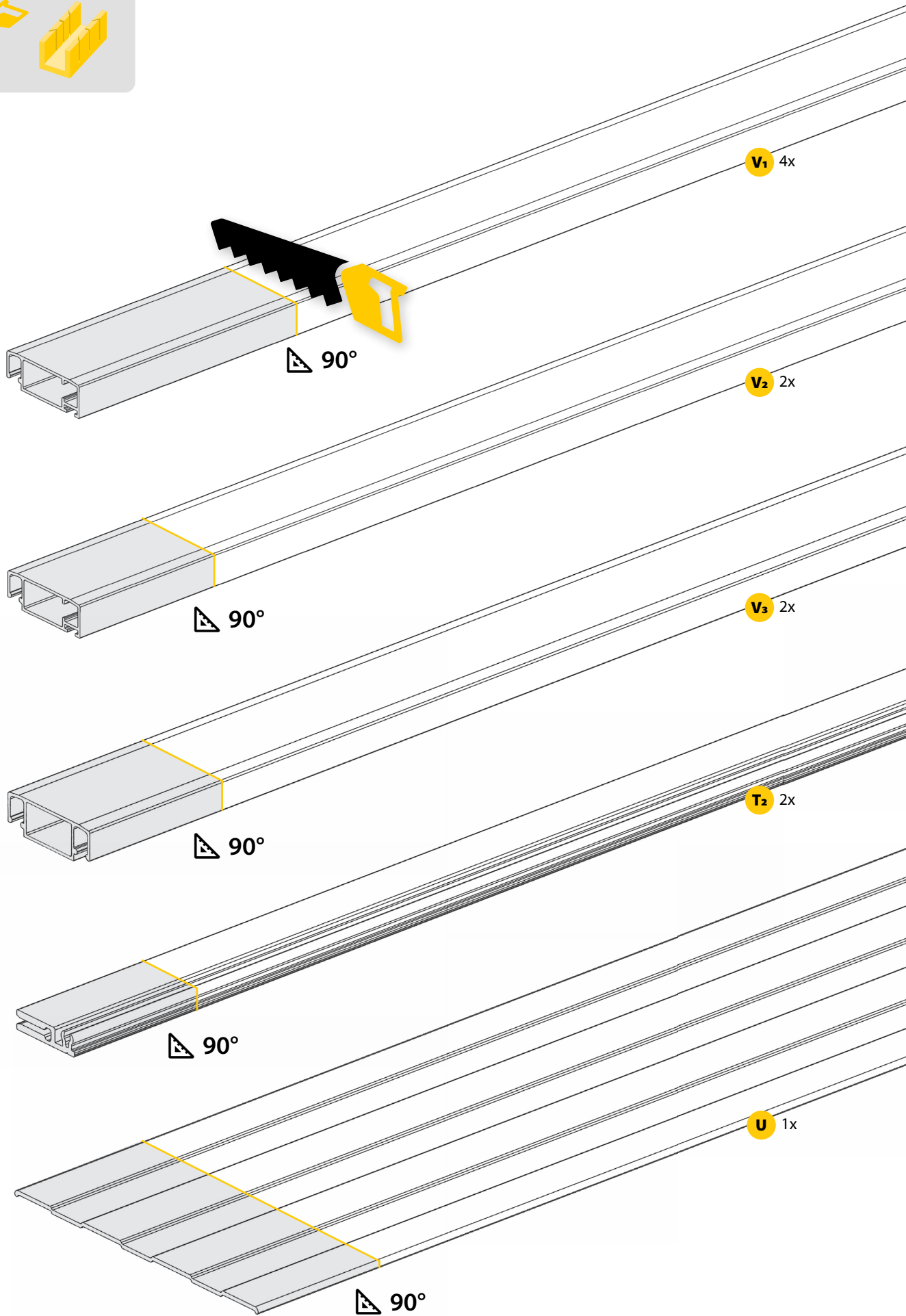
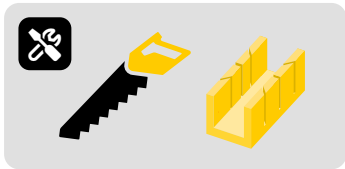


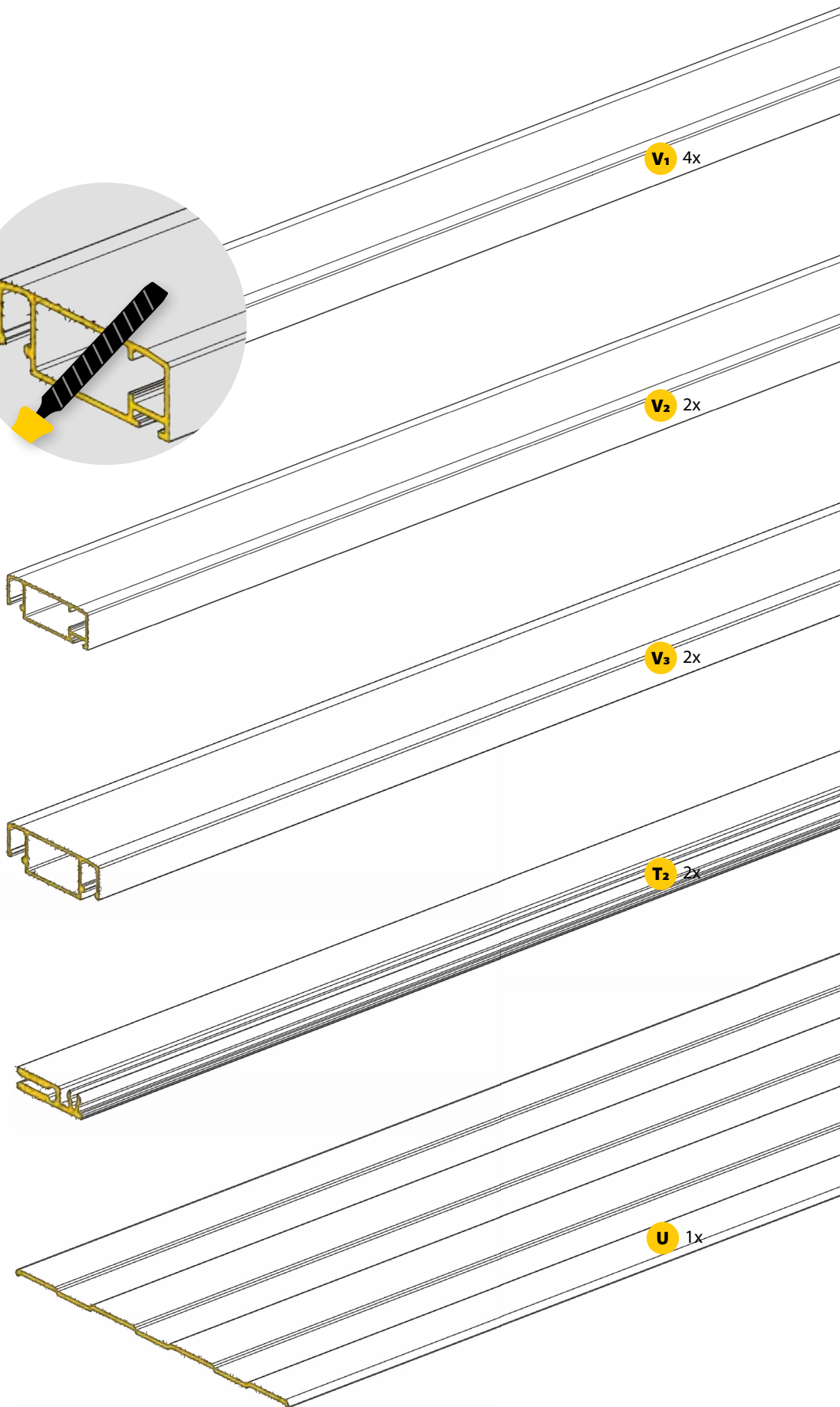
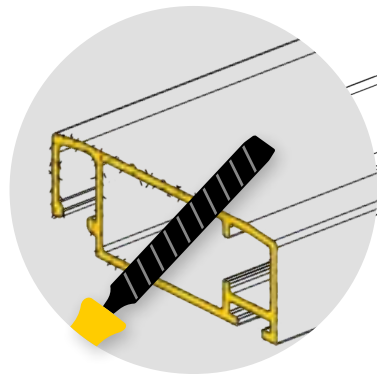
$$T_2 = B - 4,8 \text{ cm} = \underline{\hspace{2cm}} \text{ cm}$$



$$U = B - 3,0 \text{ cm} = \underline{\hspace{2cm}} \text{ cm}$$

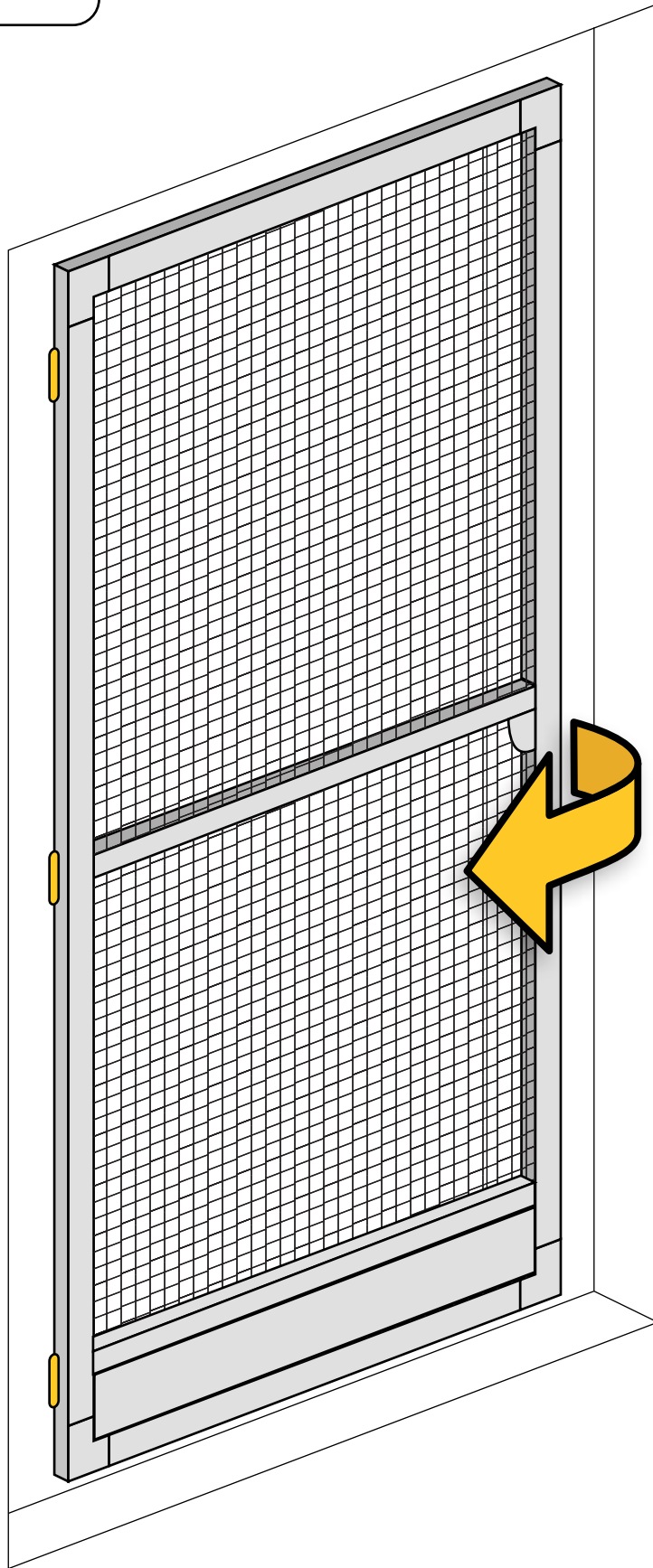






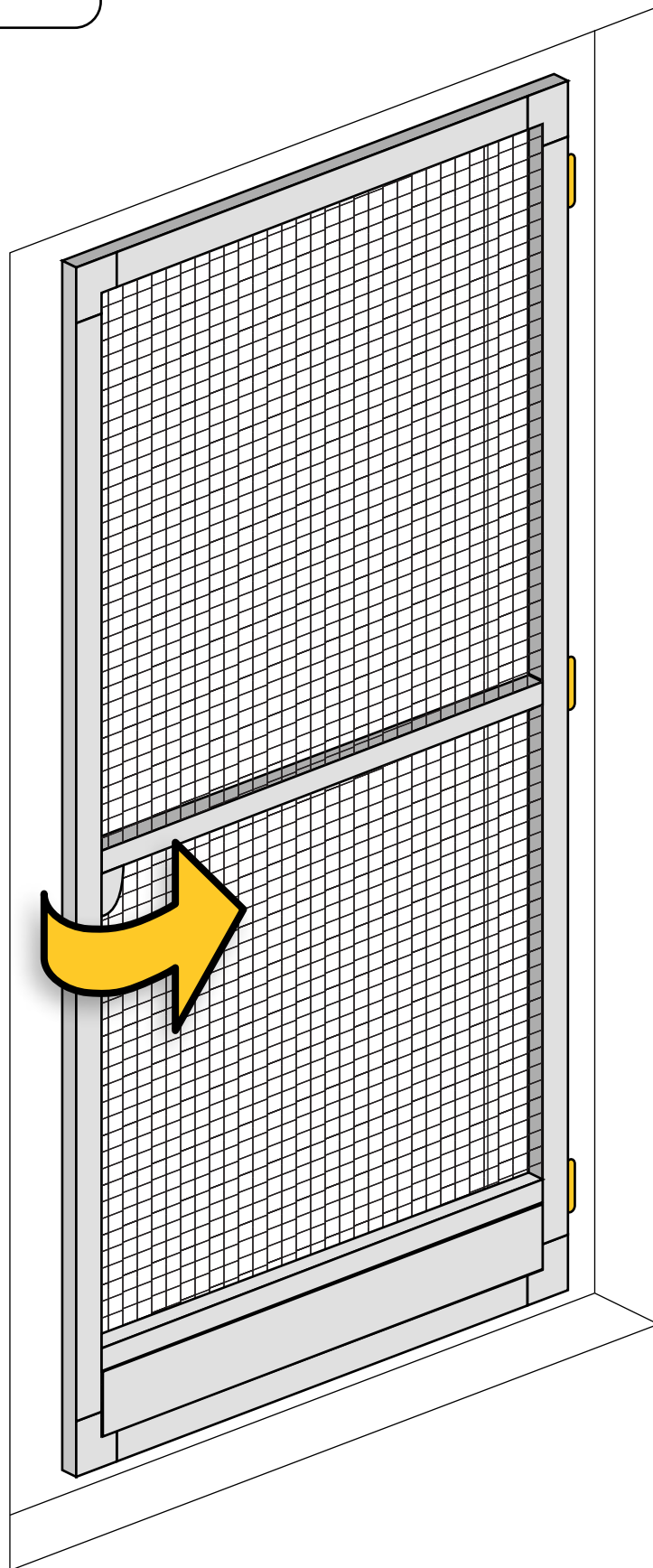


**OPT 1**

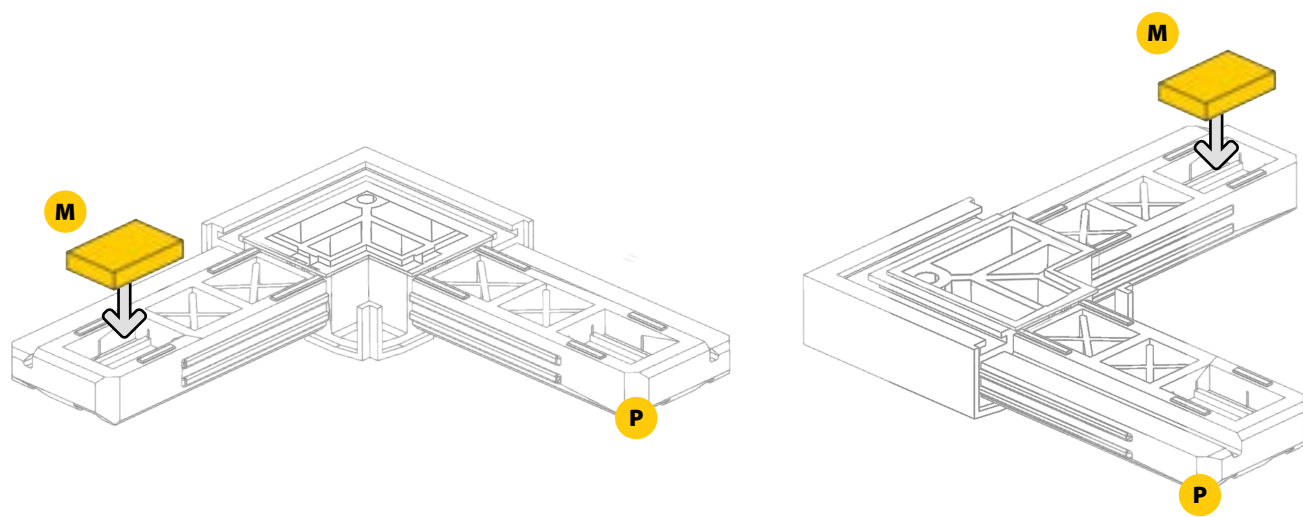




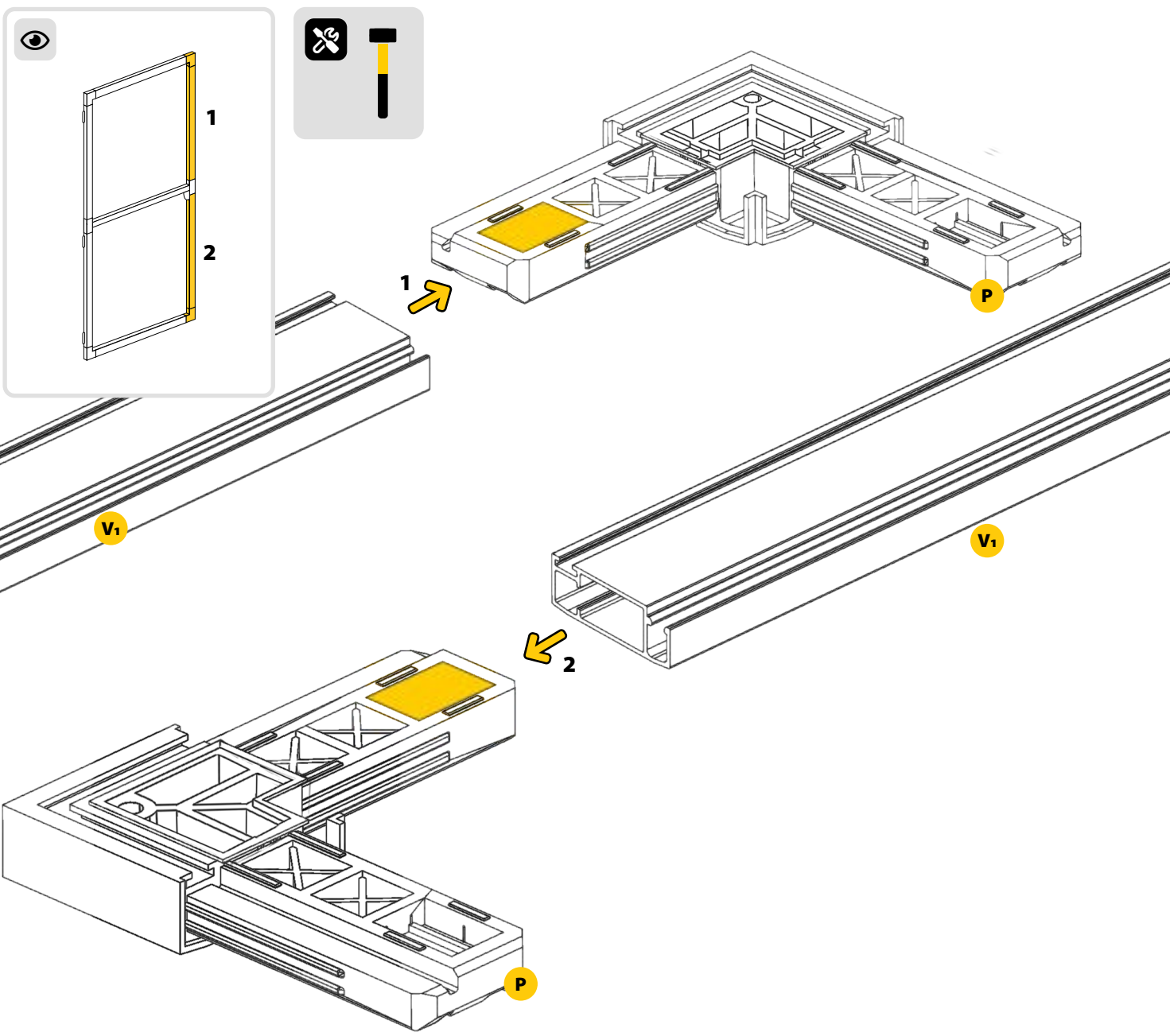
**OPT 2**



**5** OPT 1

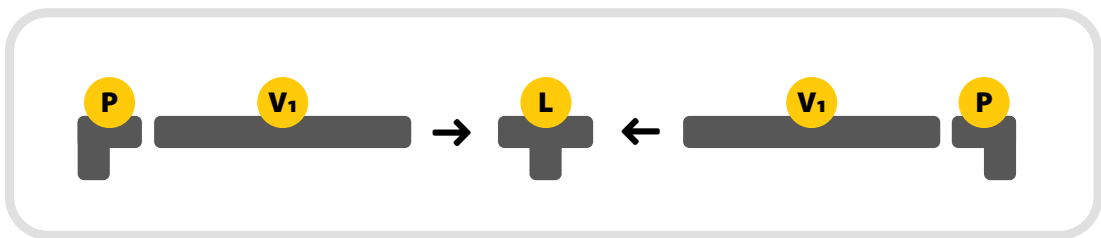
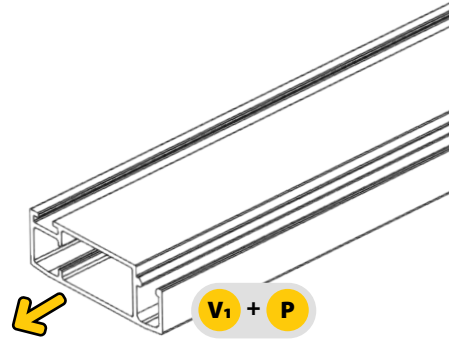
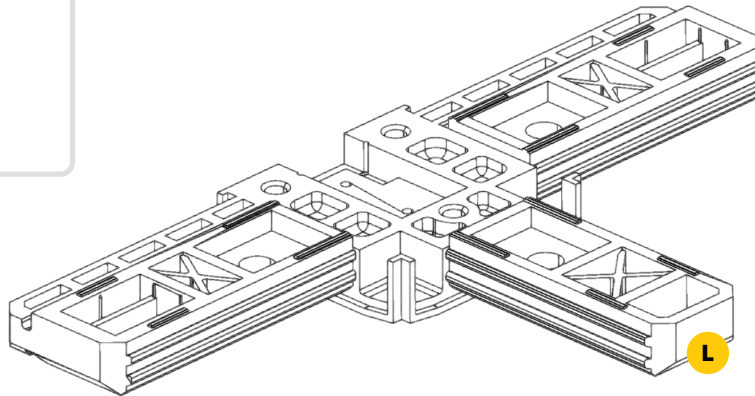
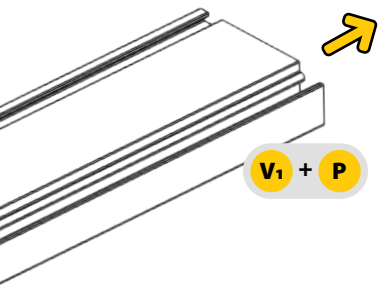
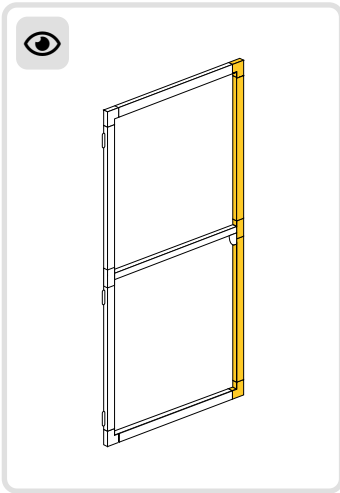


**6** OPT 1

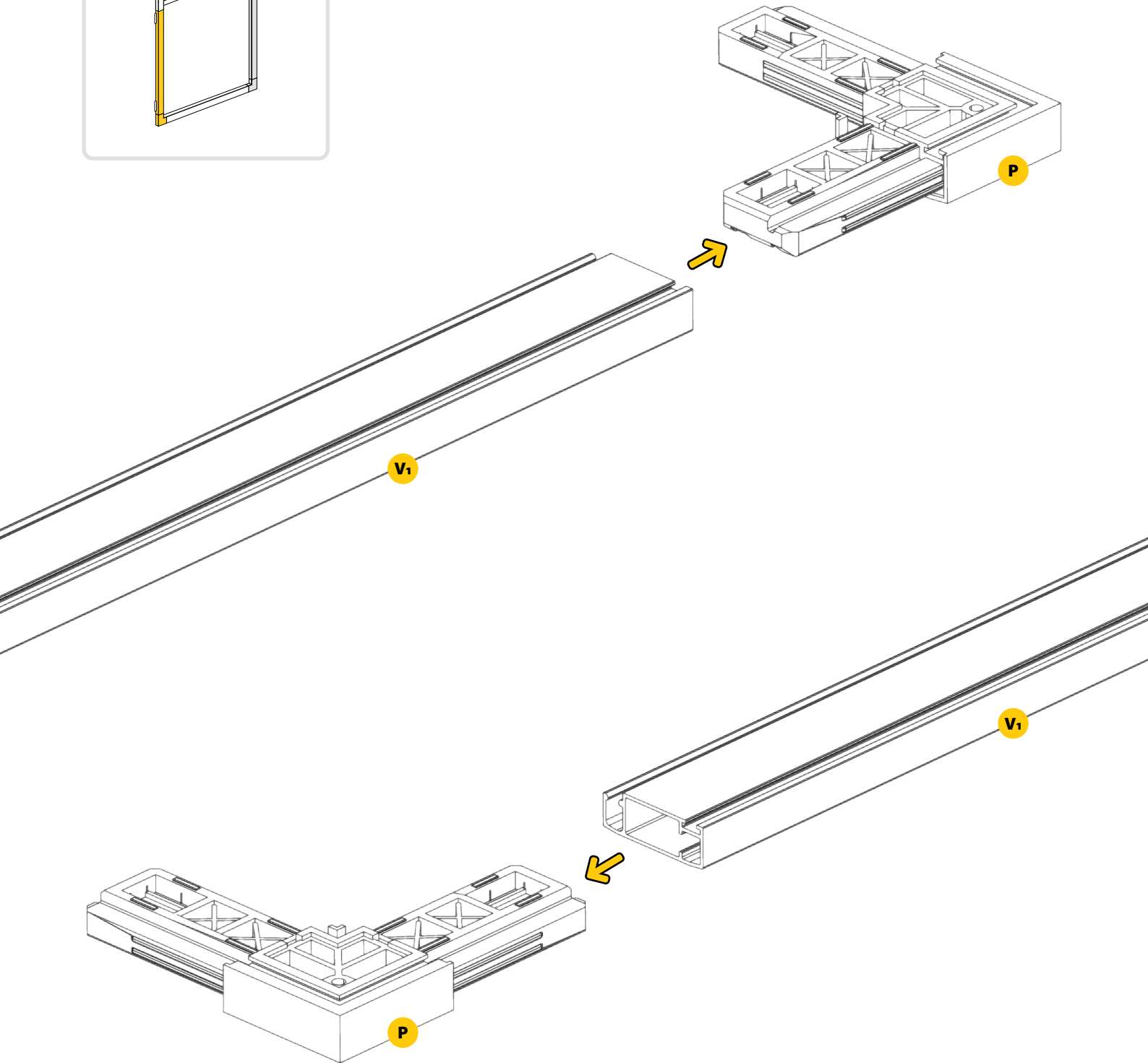
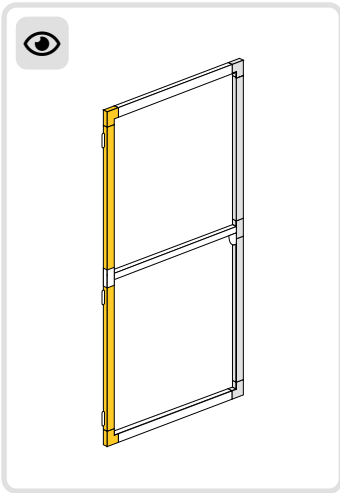




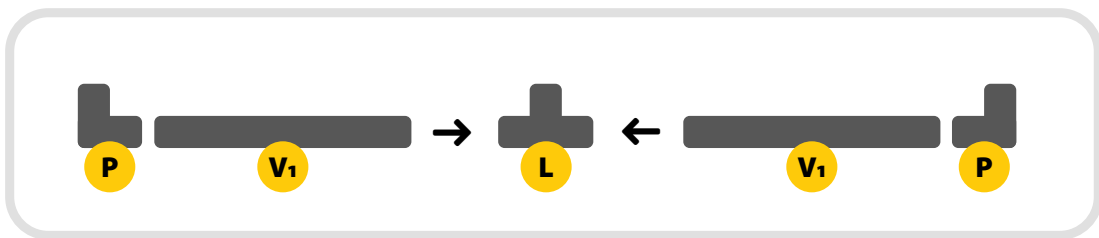
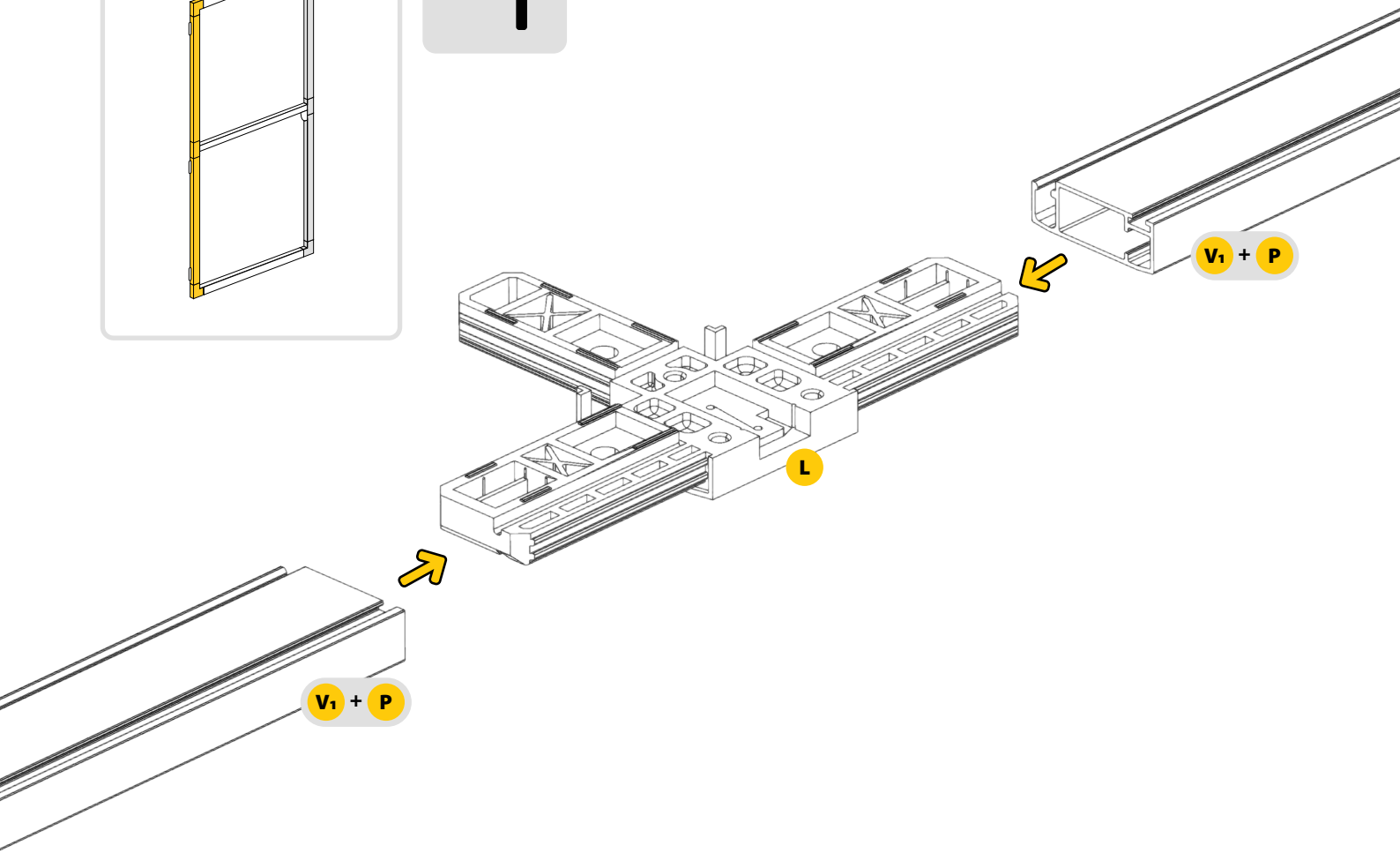
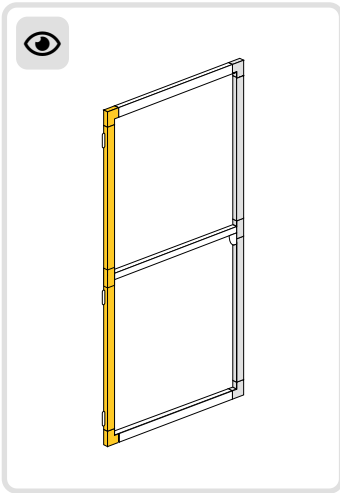
7 OPT 1



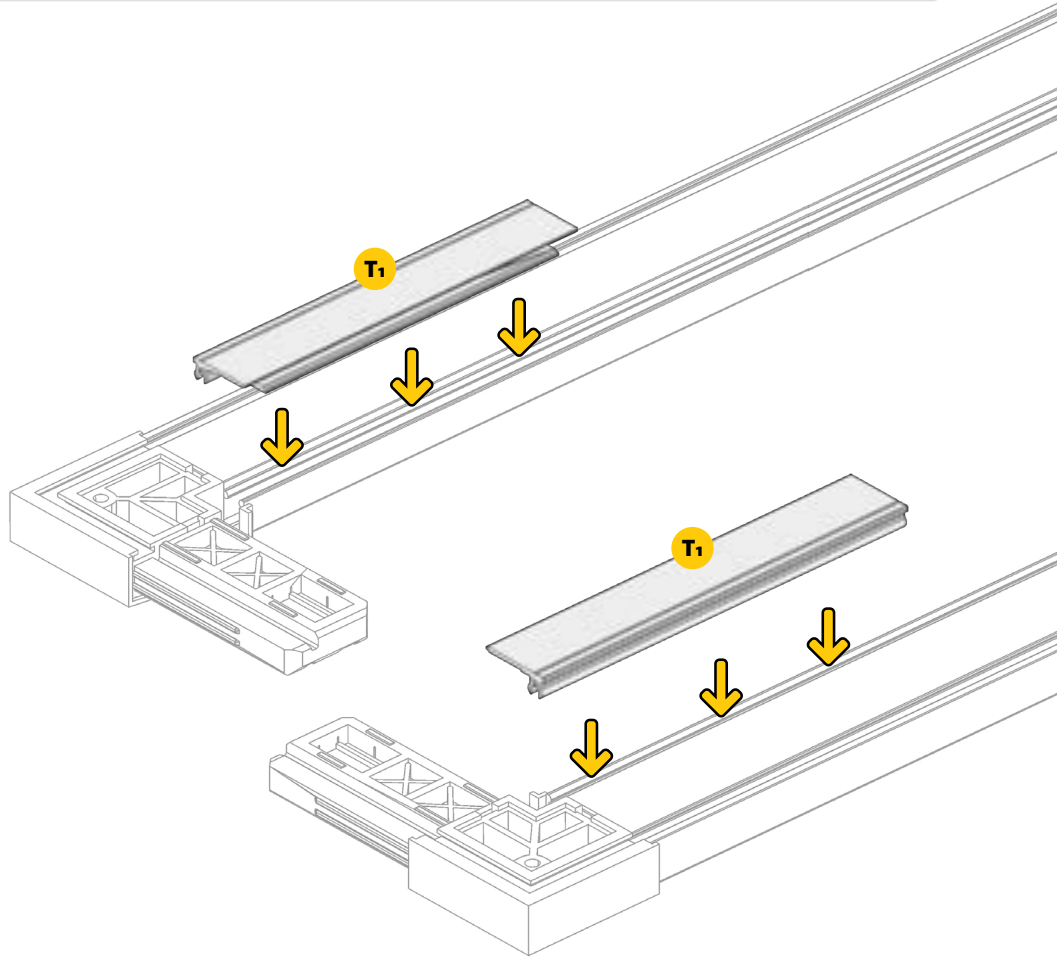
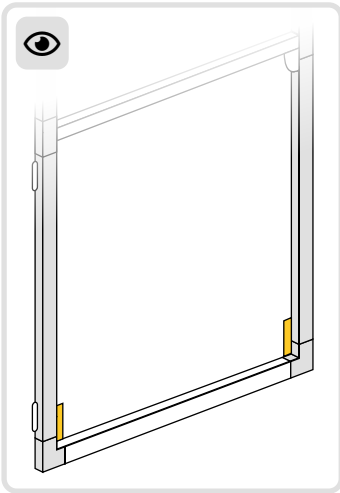
8 OPT 1



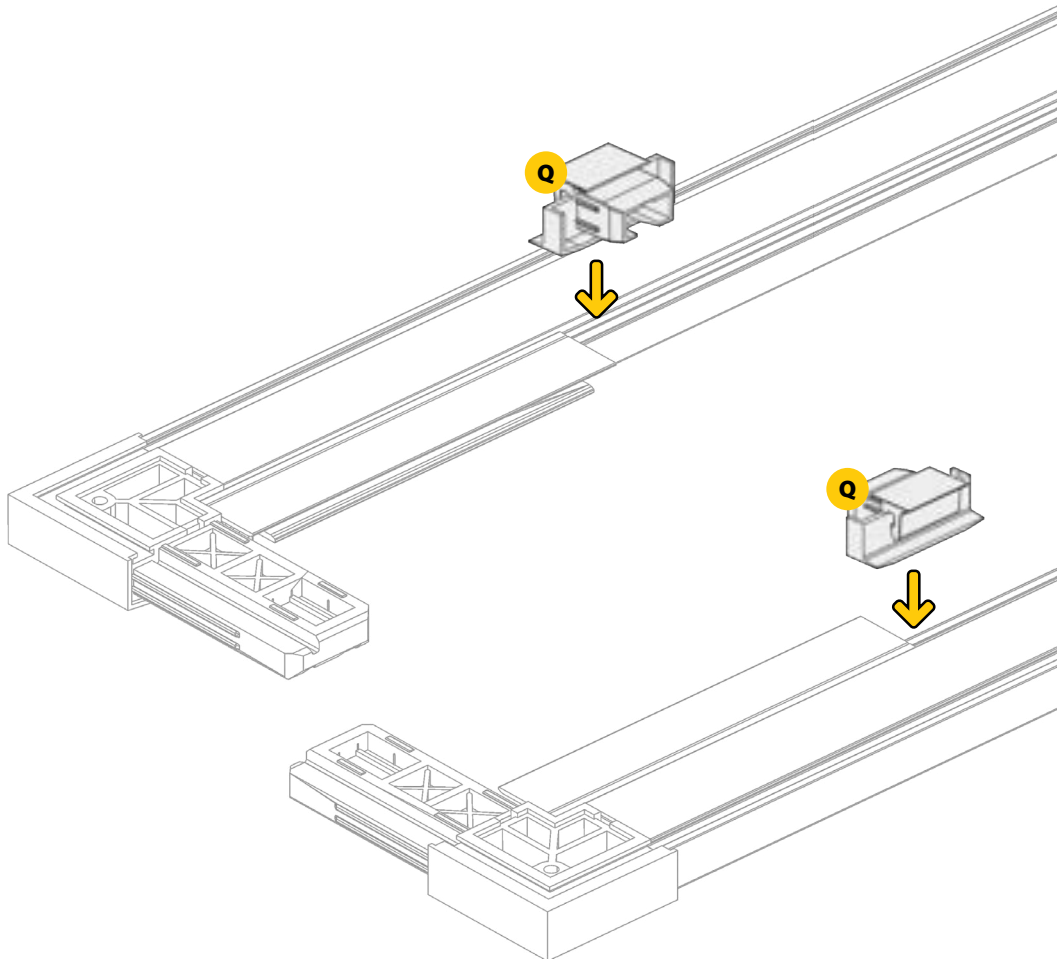
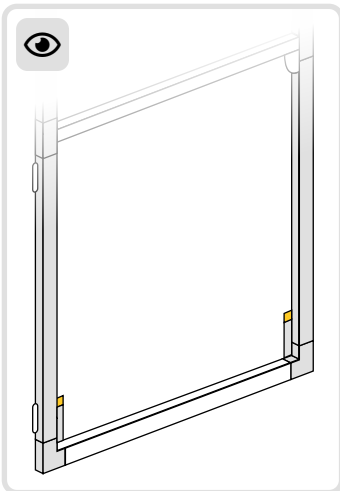
9 OPT 1



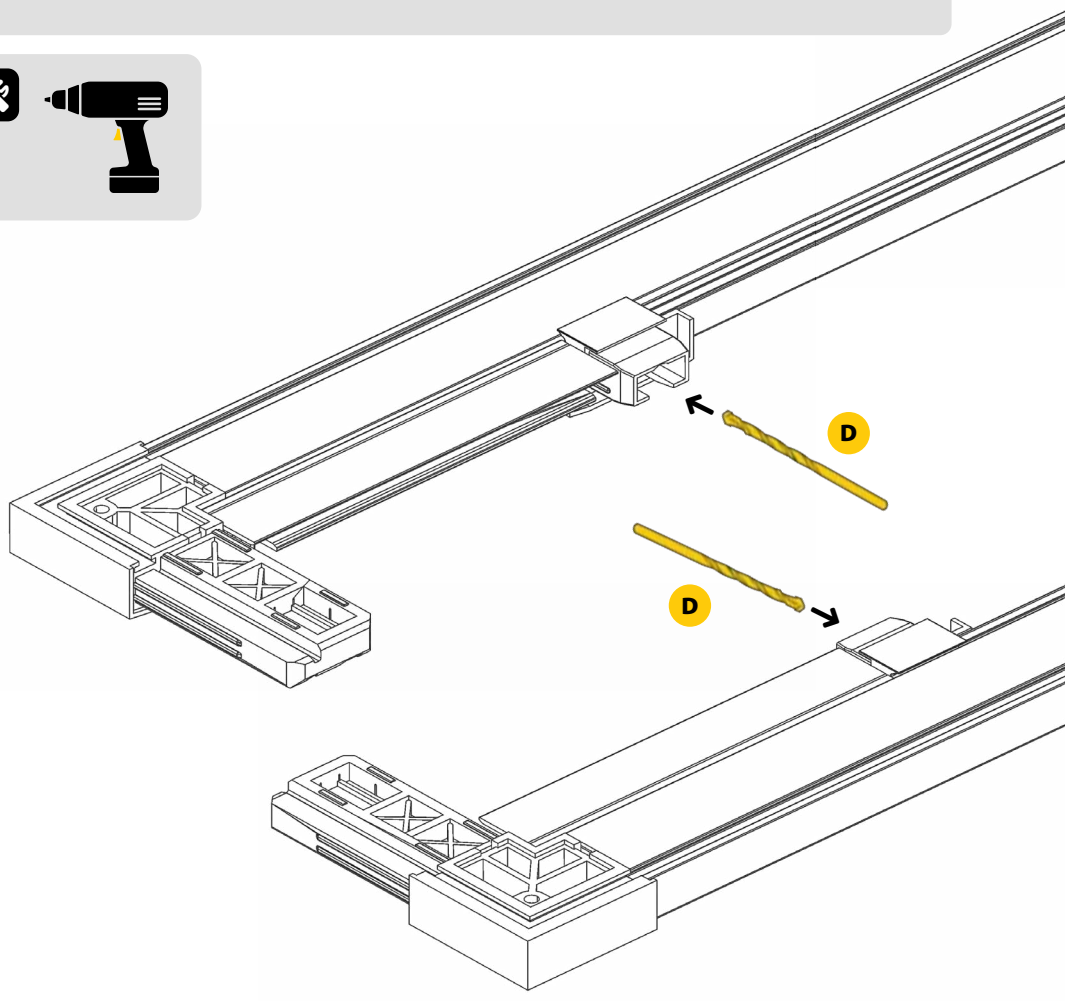
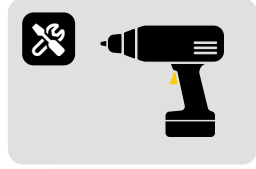
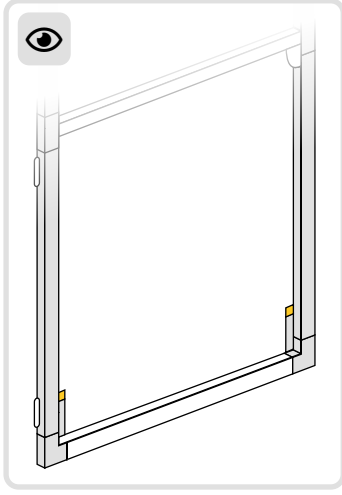
10 OPT 1



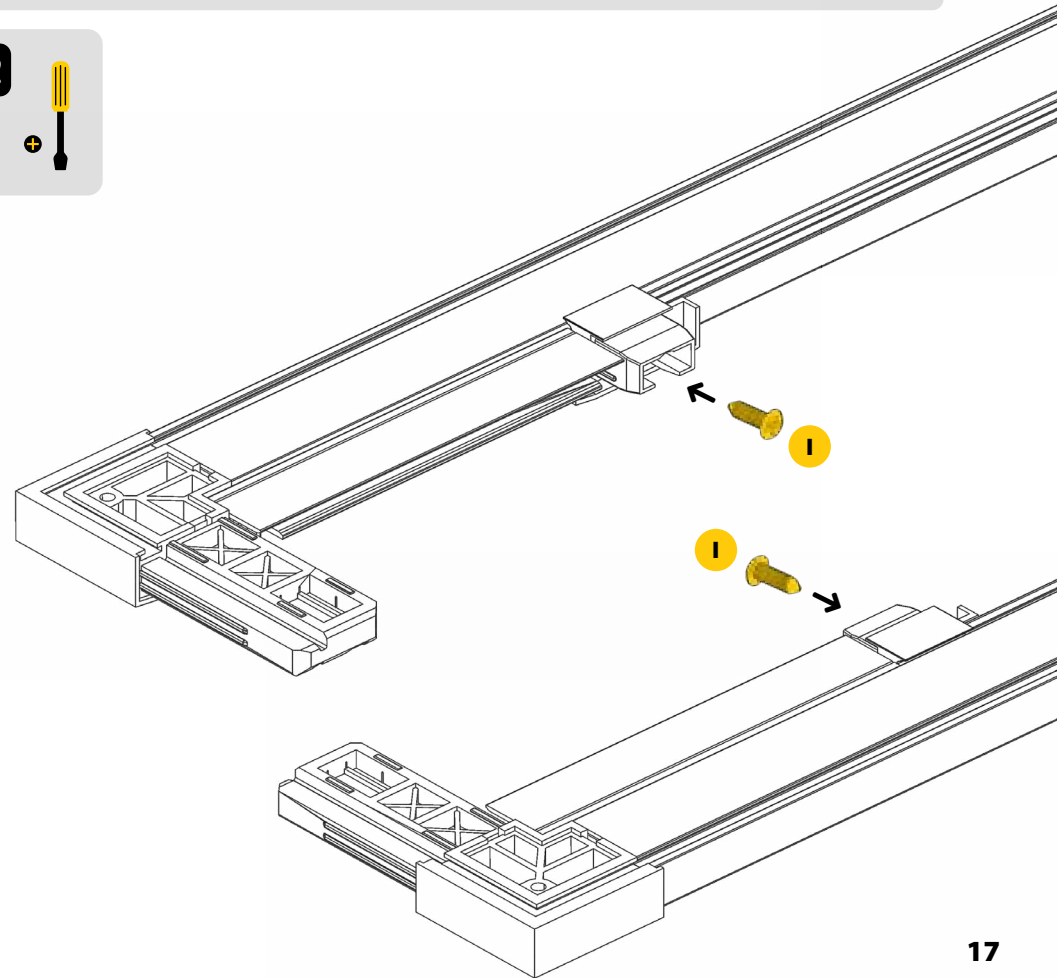
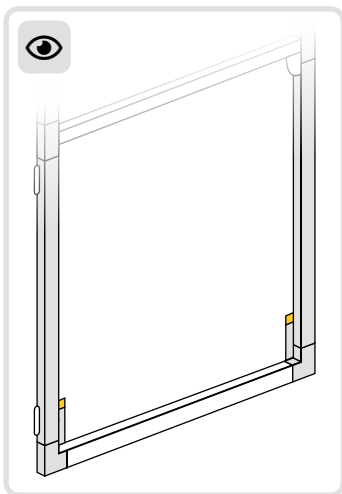
11 OPT 1

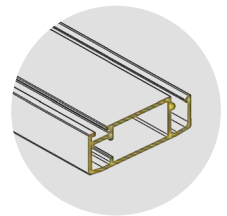
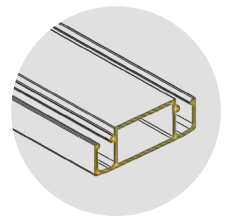
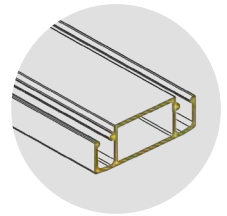
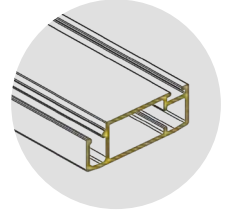
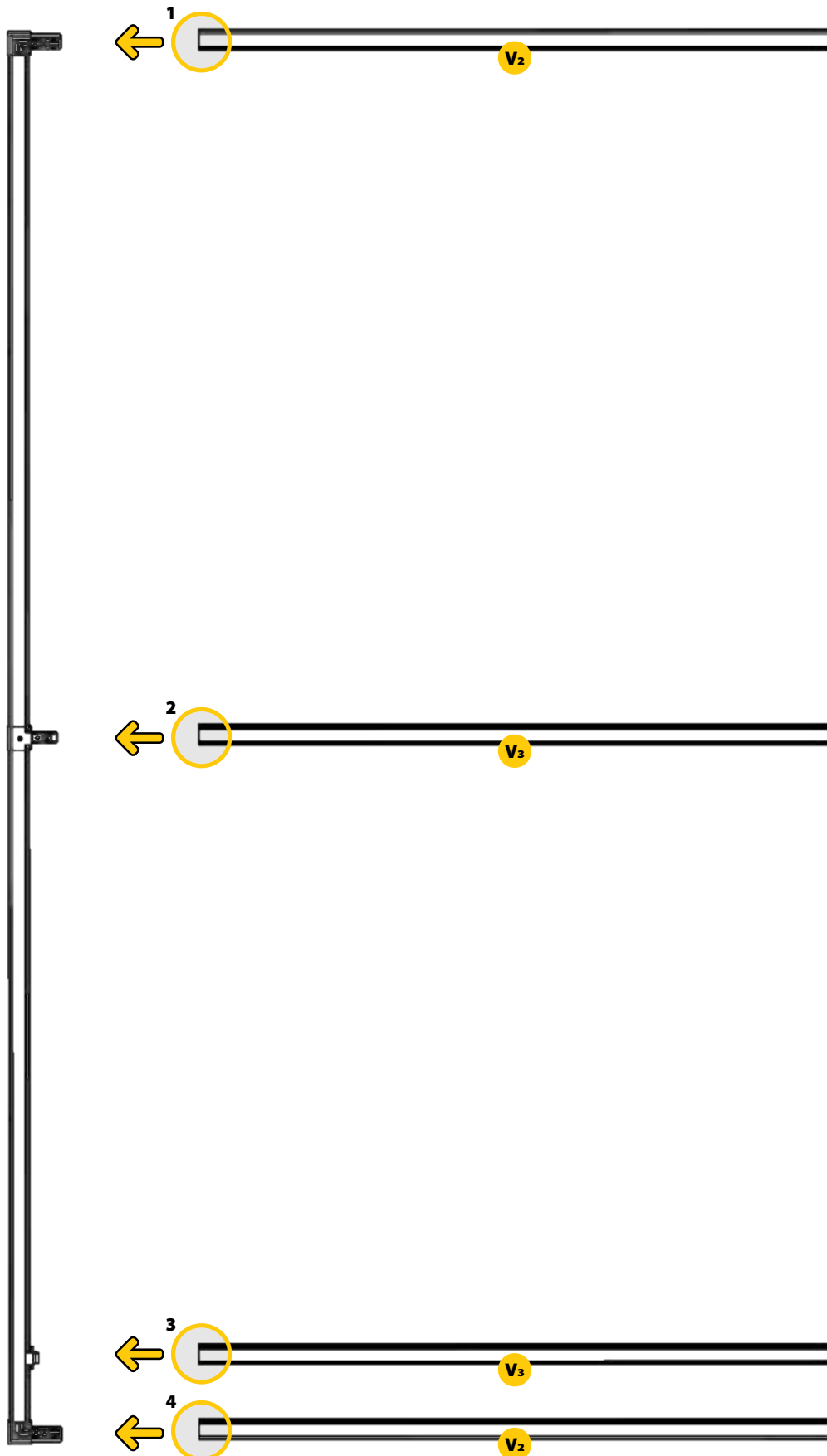


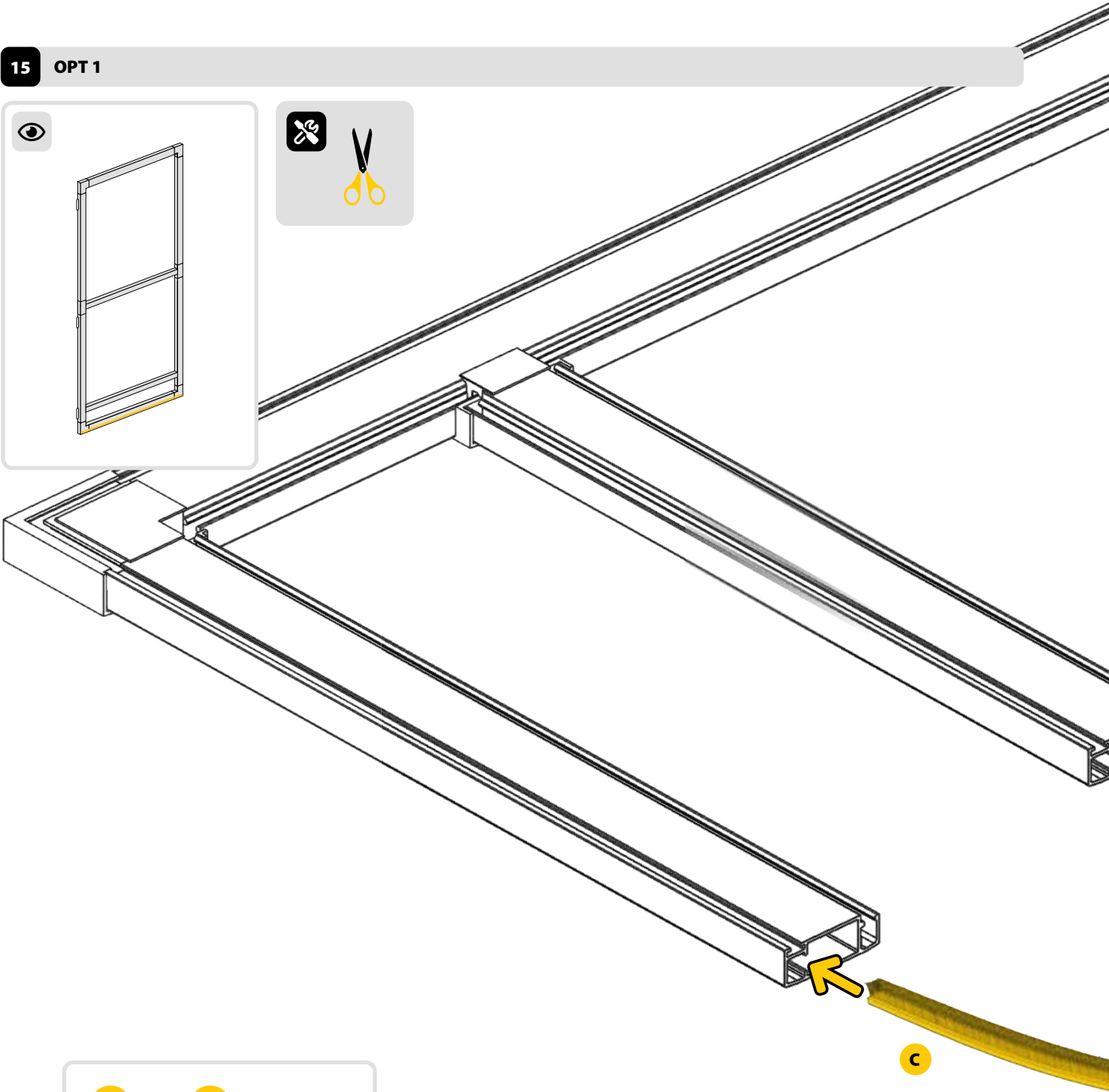
12 OPT 1



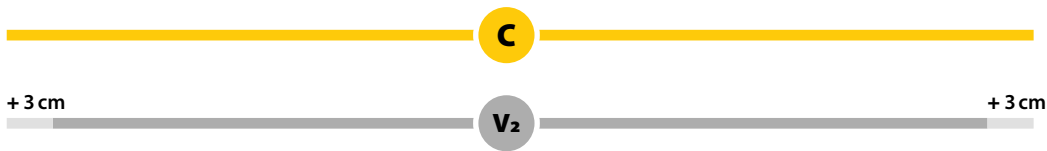
13 OPT 1

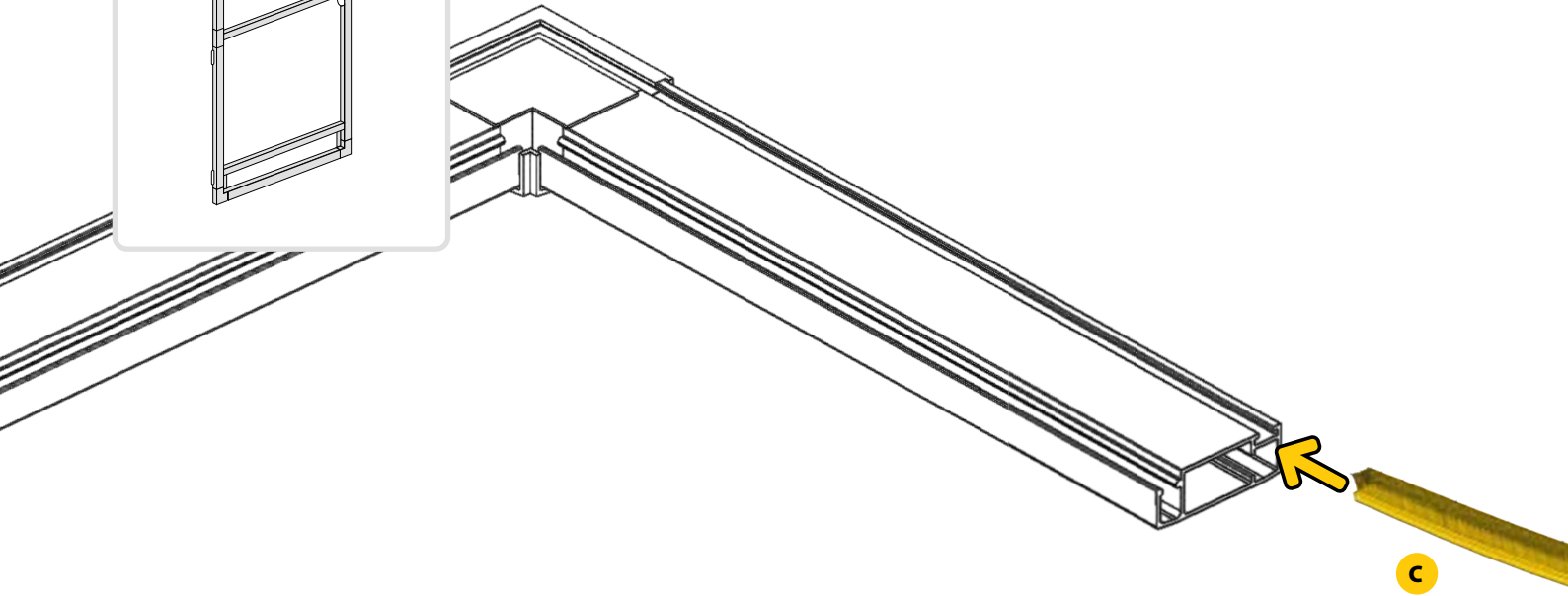




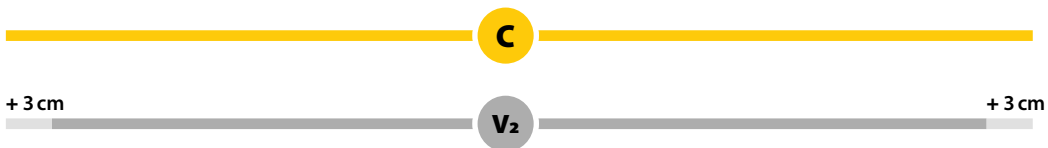


$$C = v_2 + 6 \text{ cm}$$

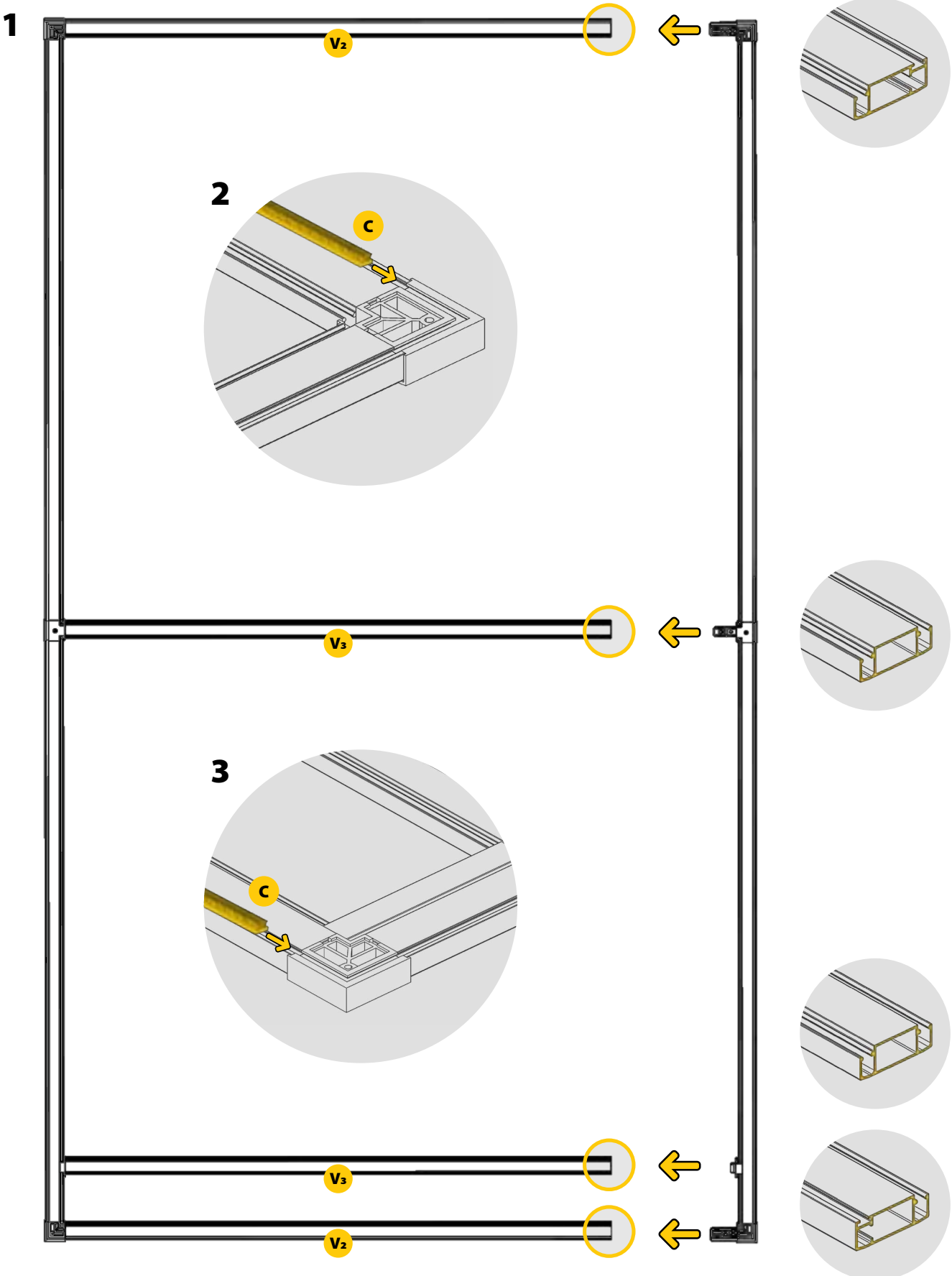




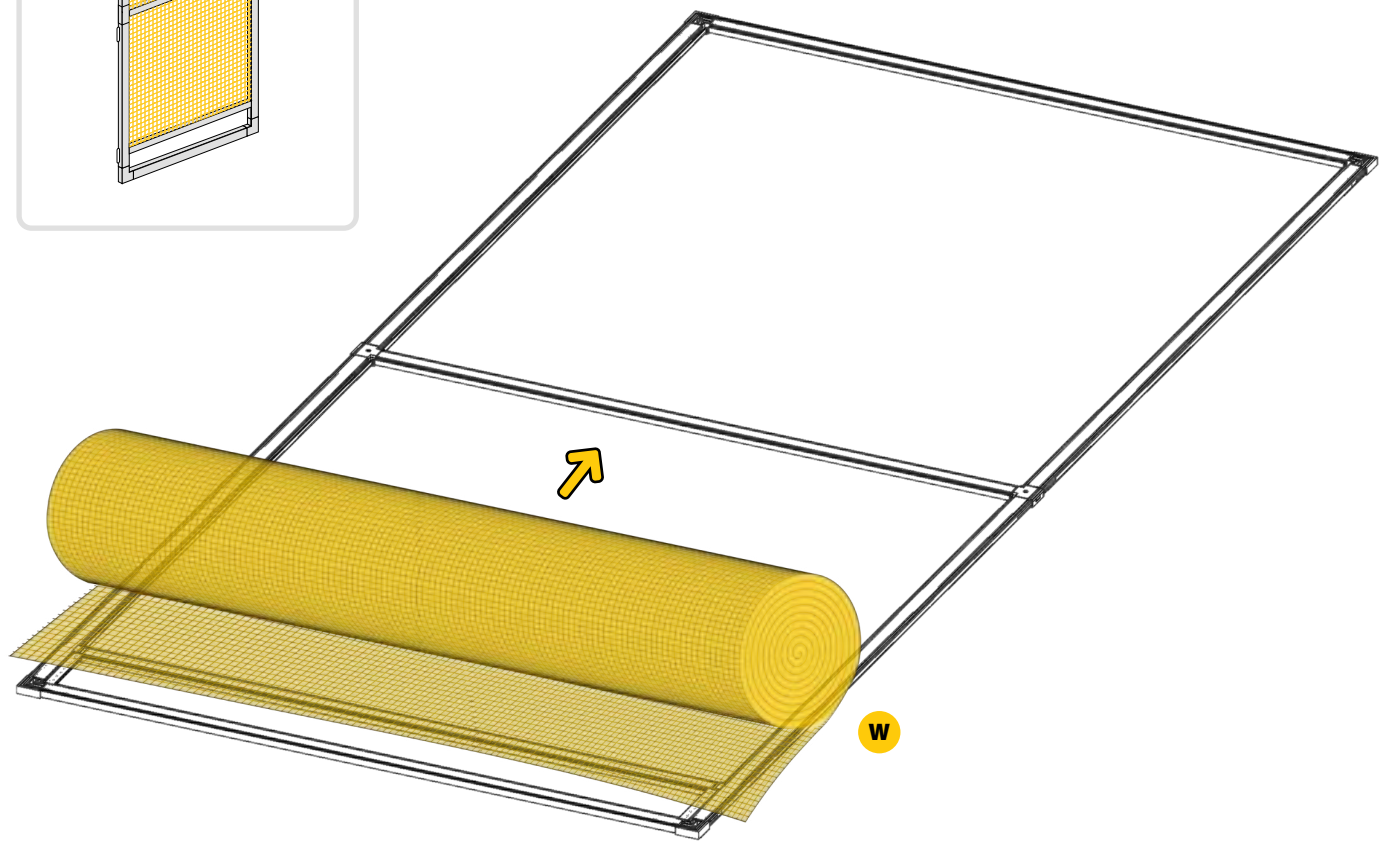
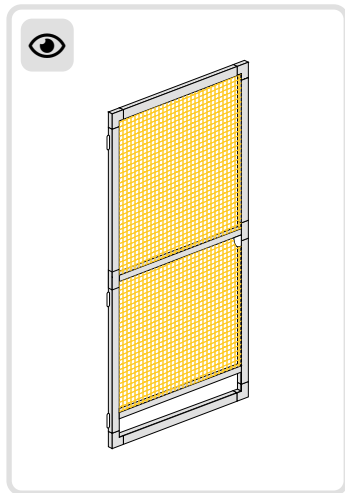
$$c = v_2 + 6 \text{ cm}$$



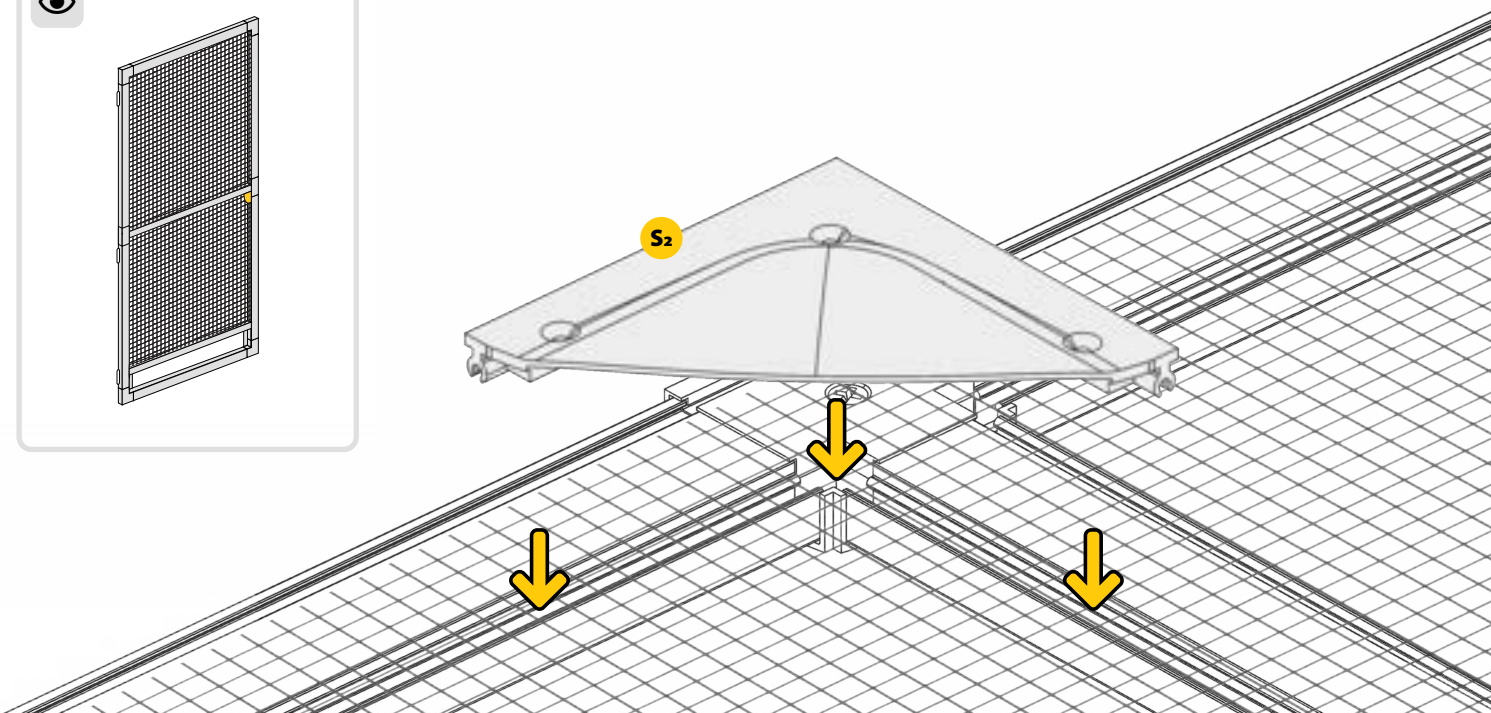
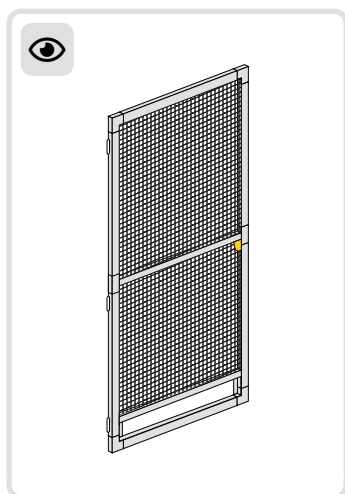


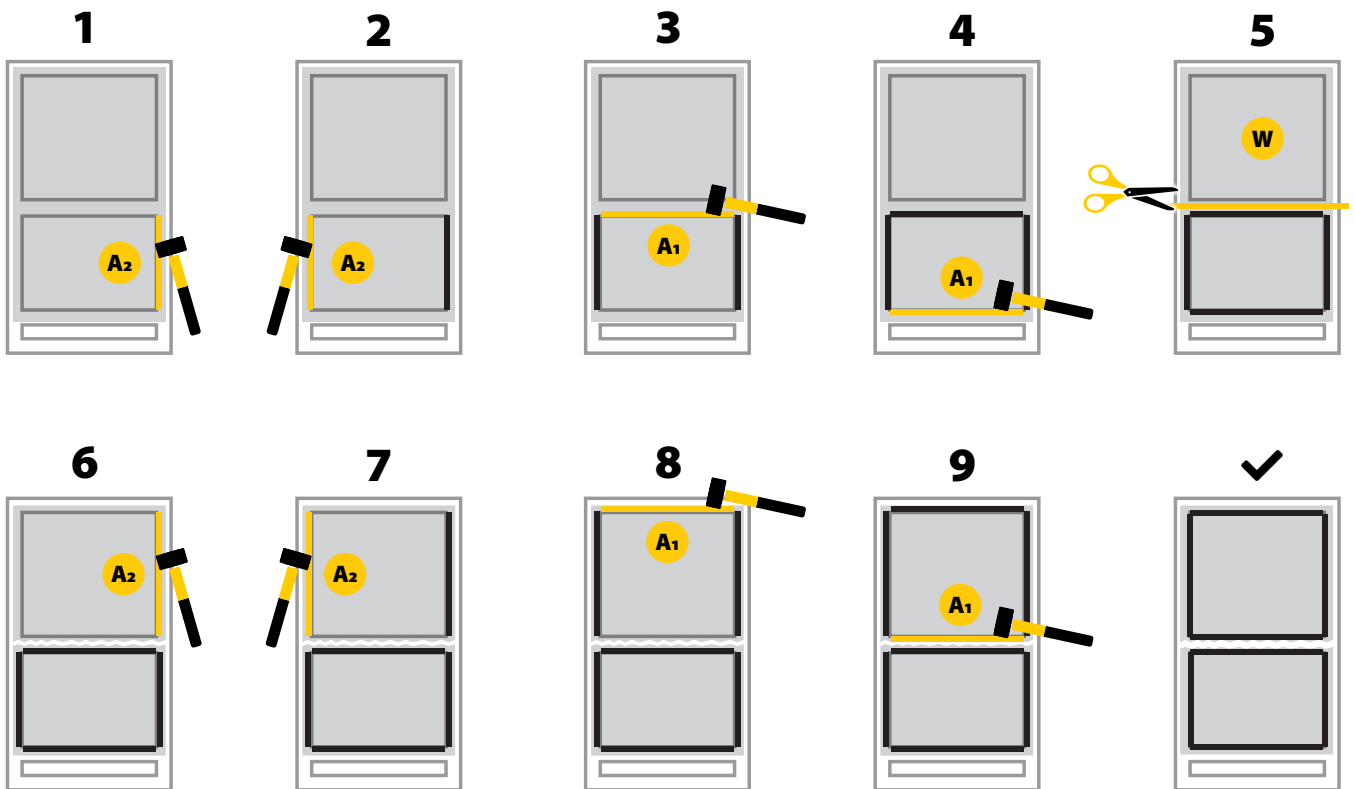
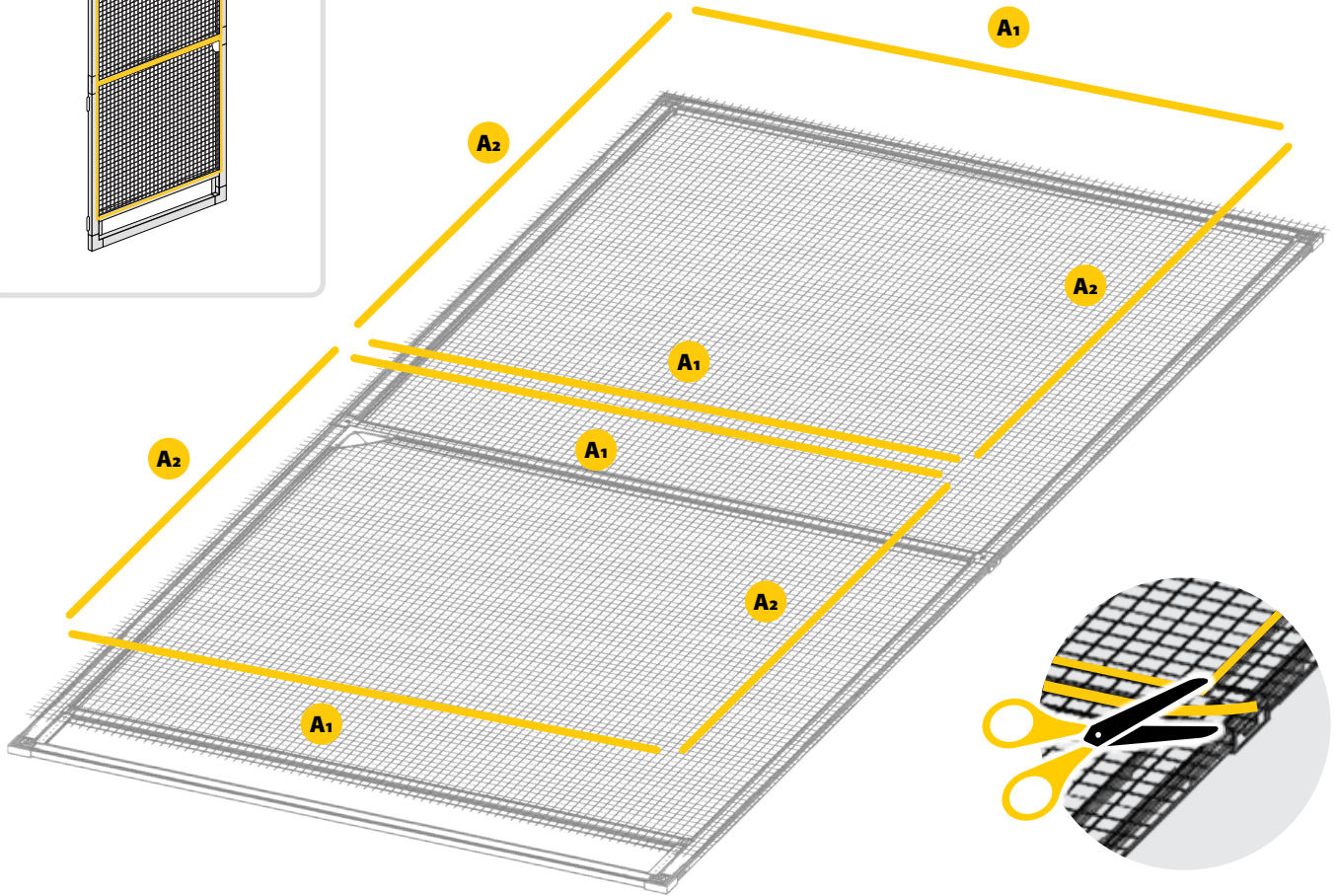
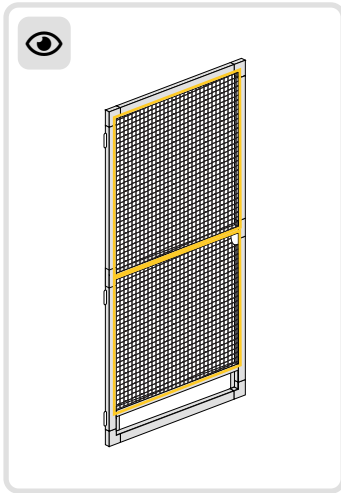


18 OPT 1

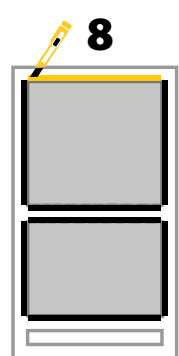
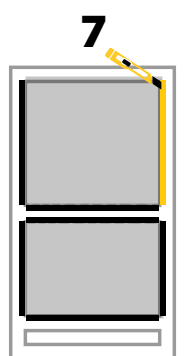
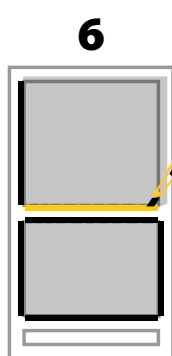
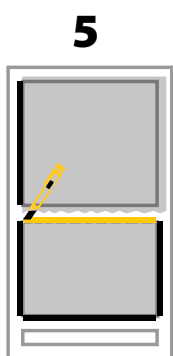
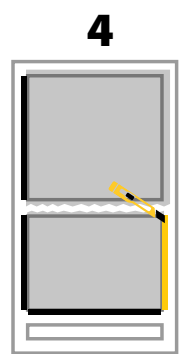
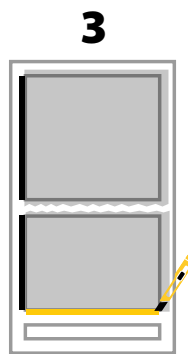
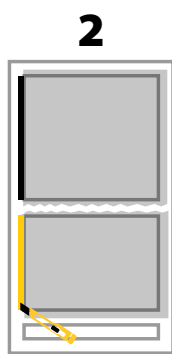
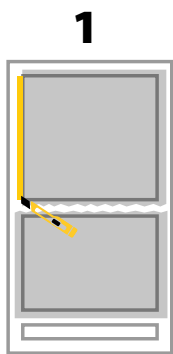
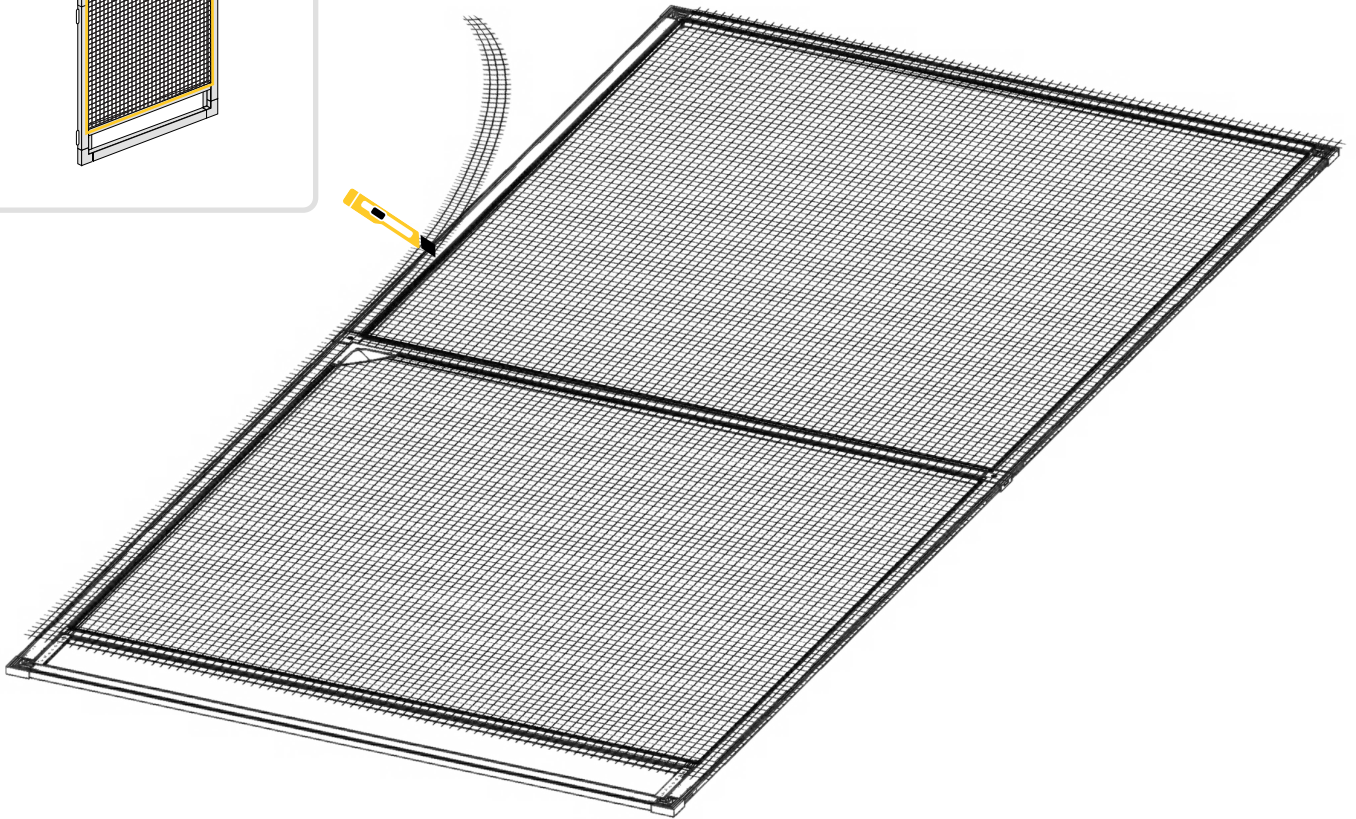
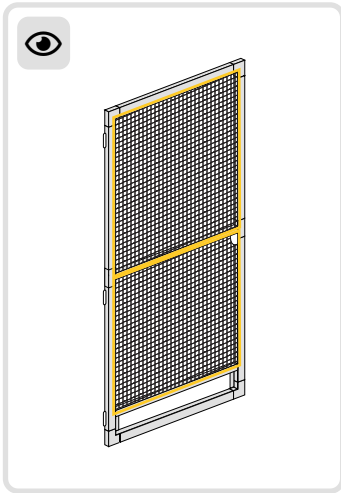


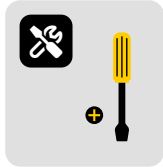
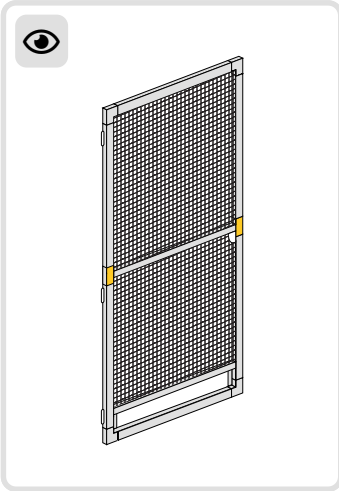
19 OPT 1



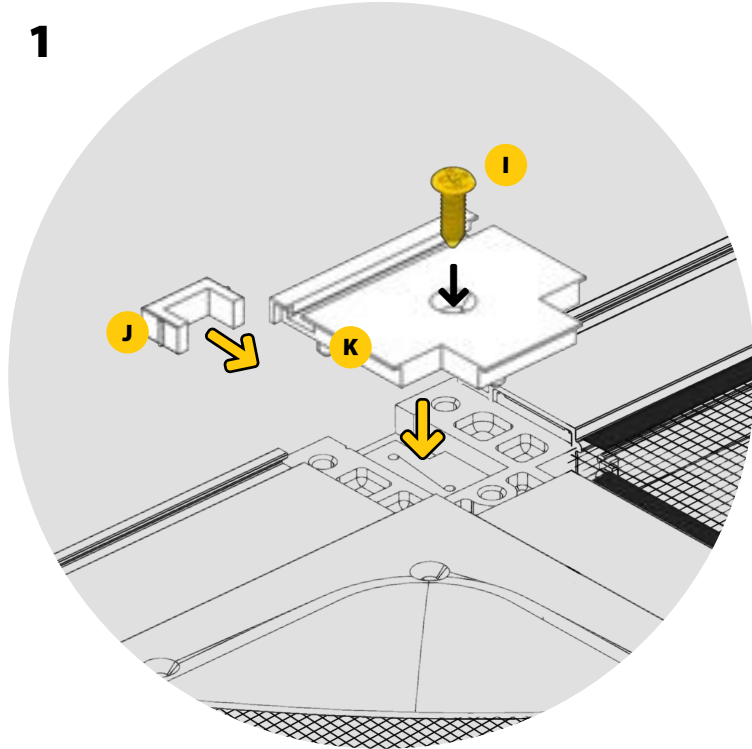




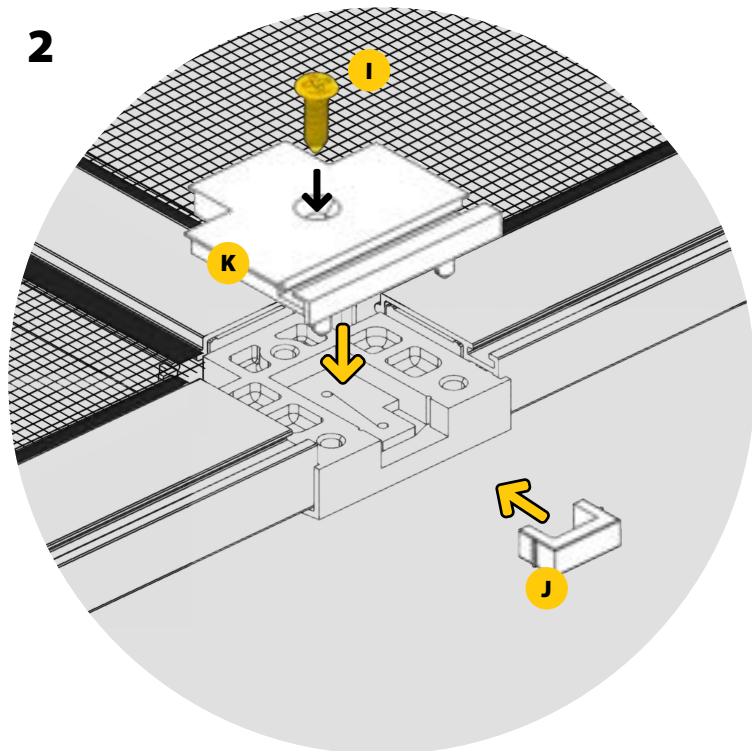




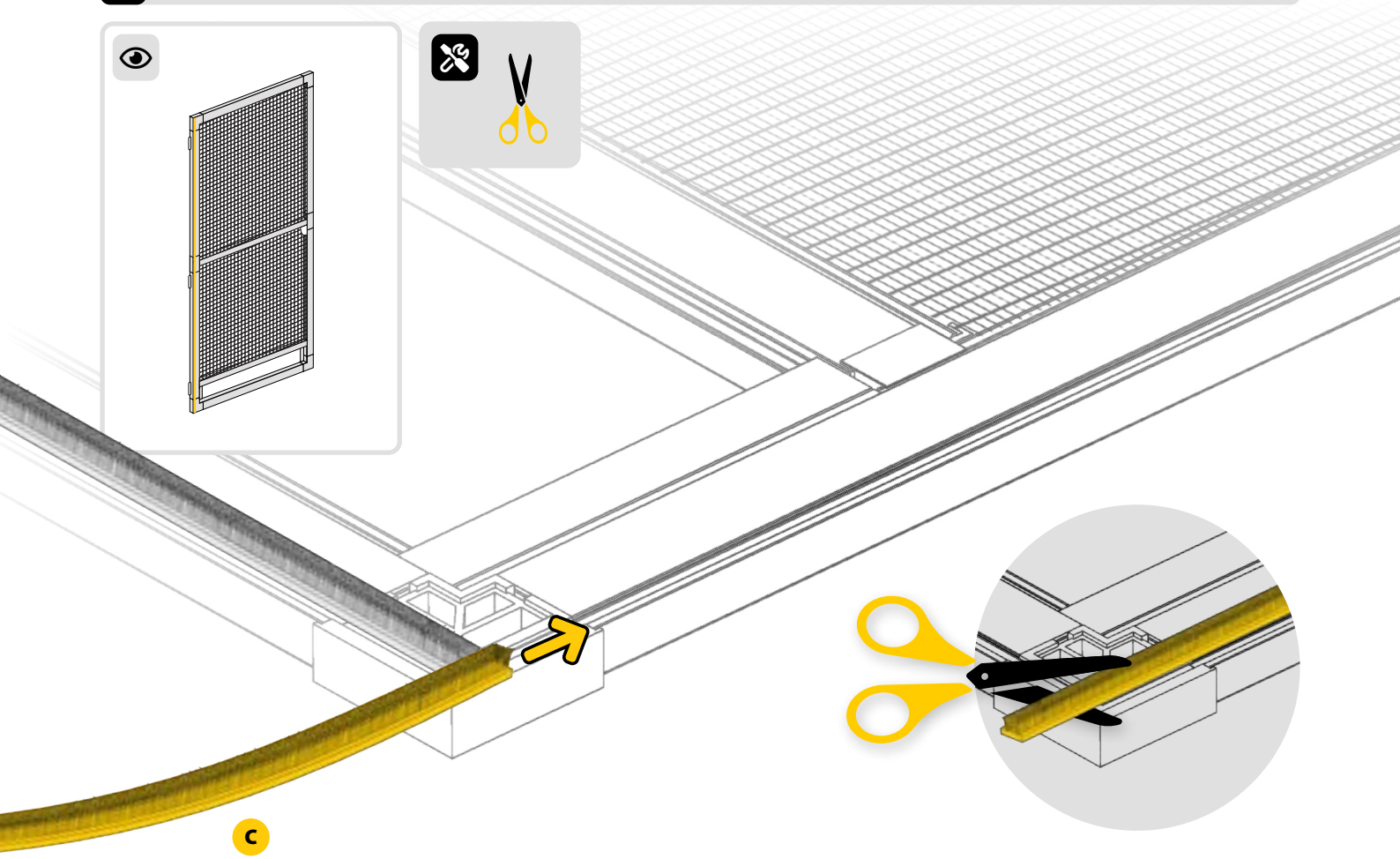
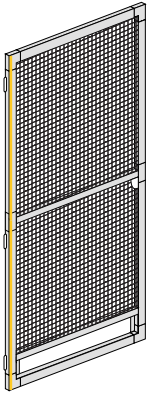
1



2

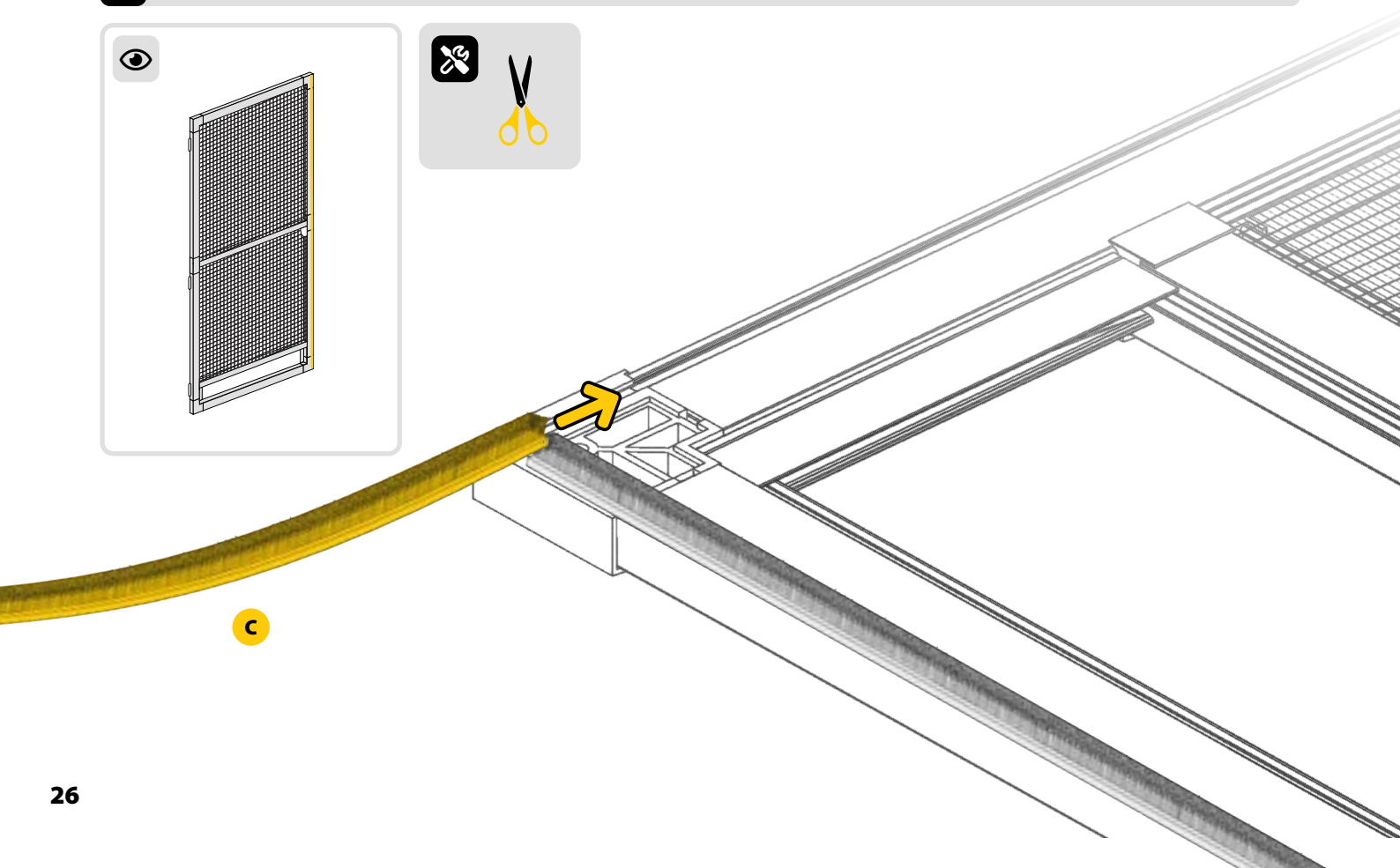
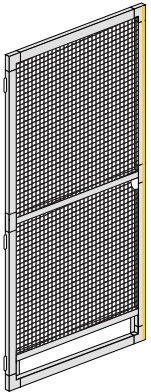


23 OPT 1



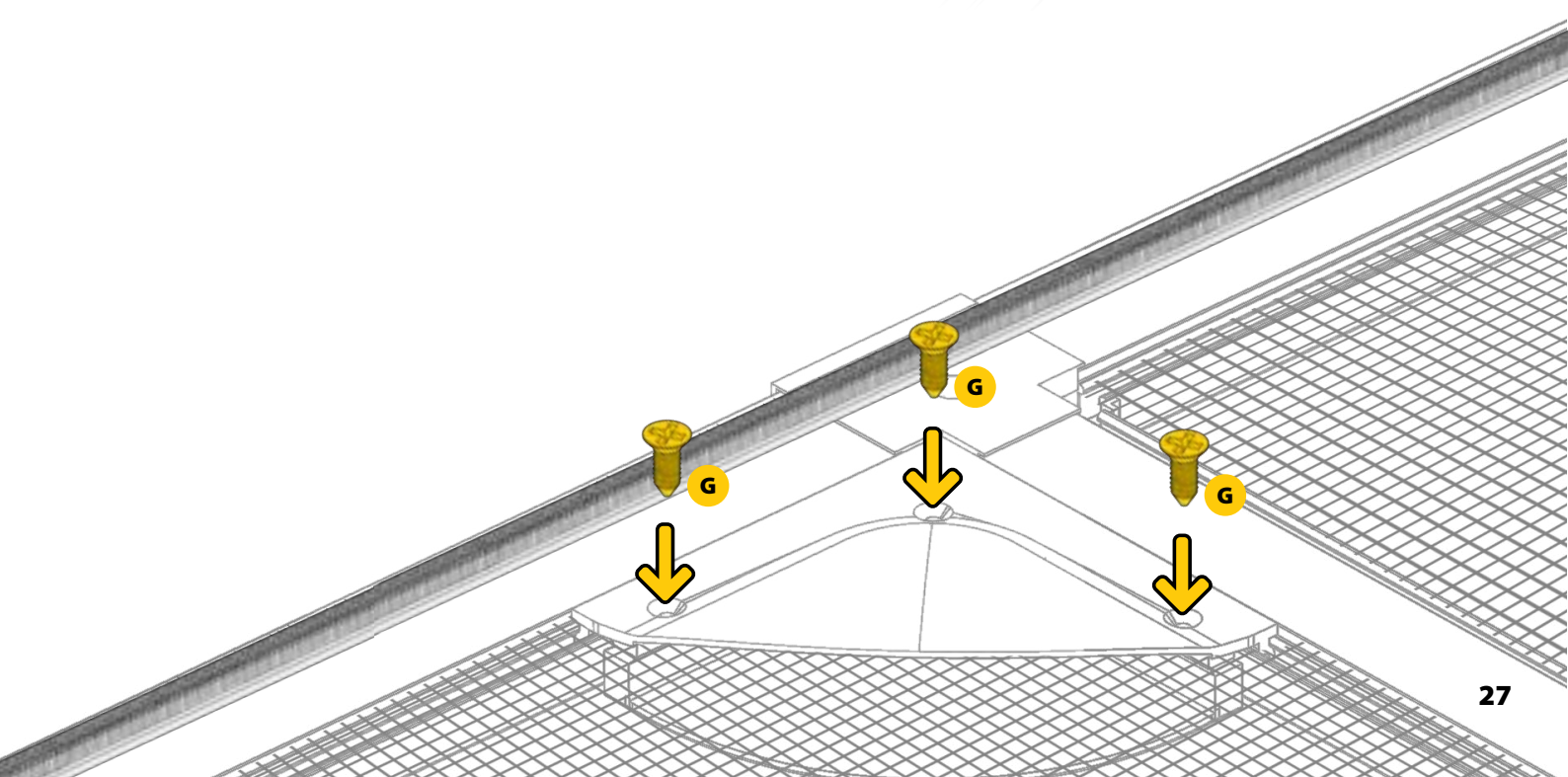
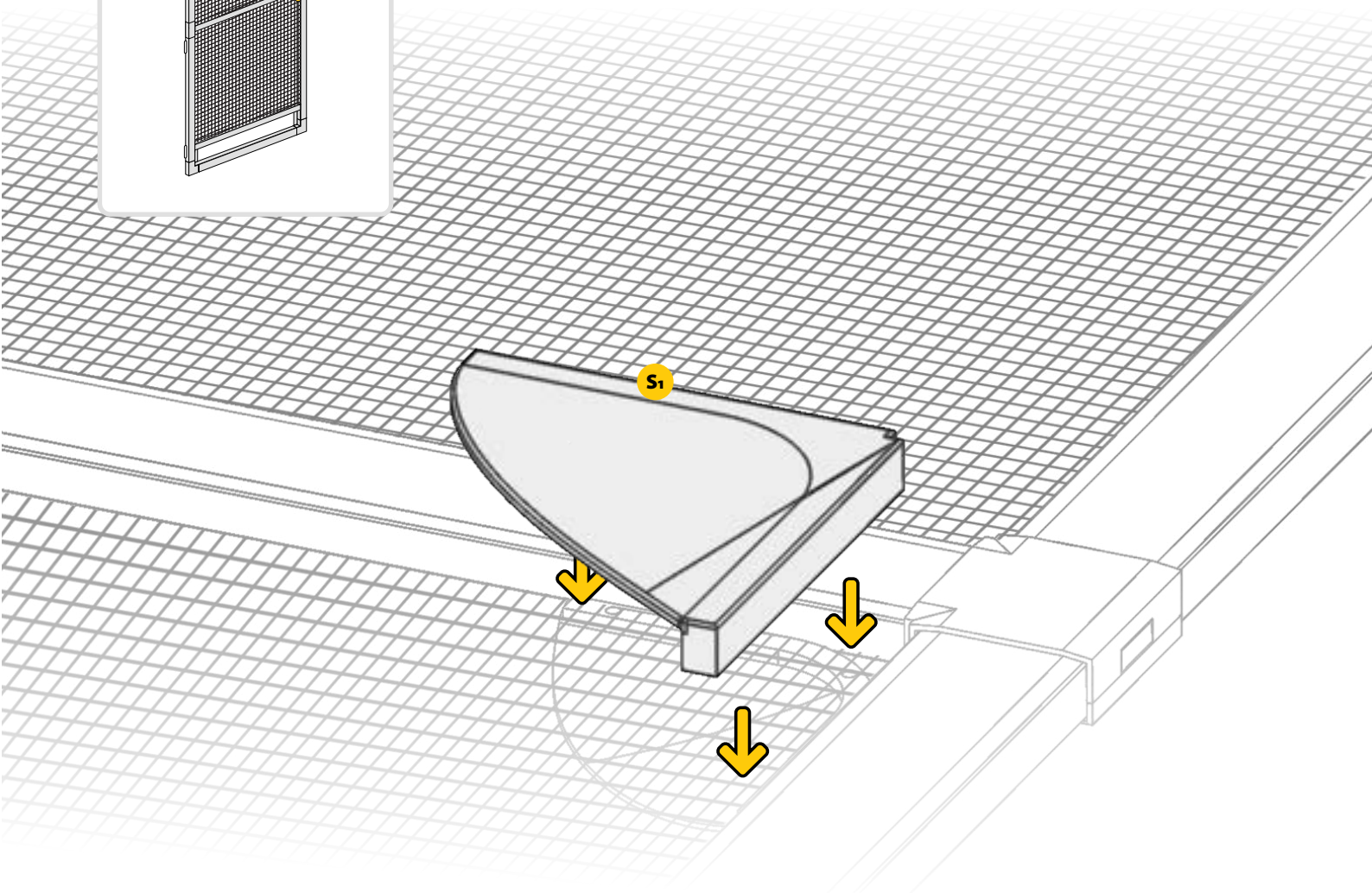
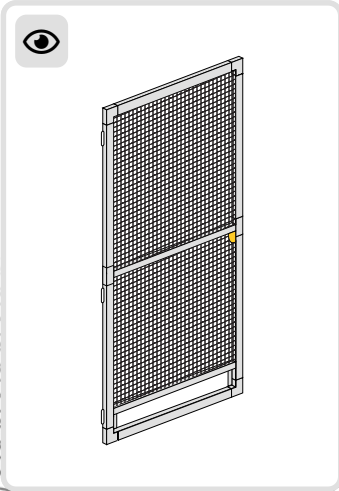
C

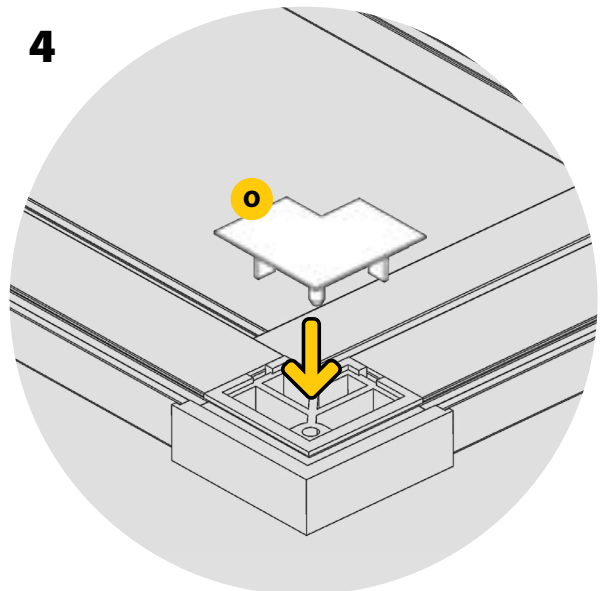
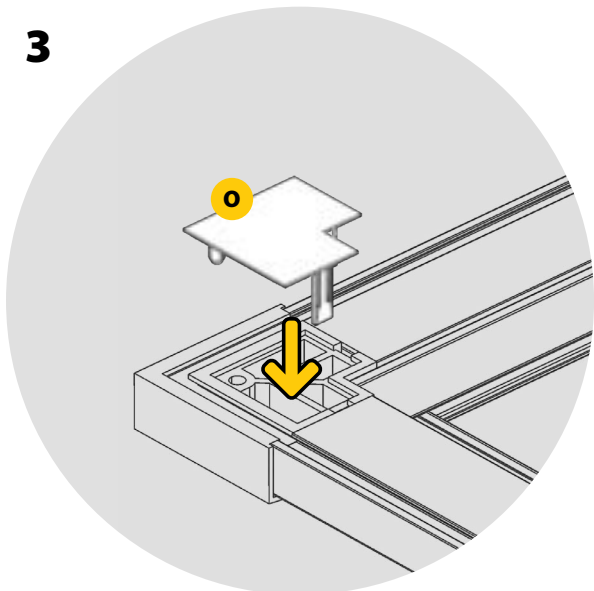
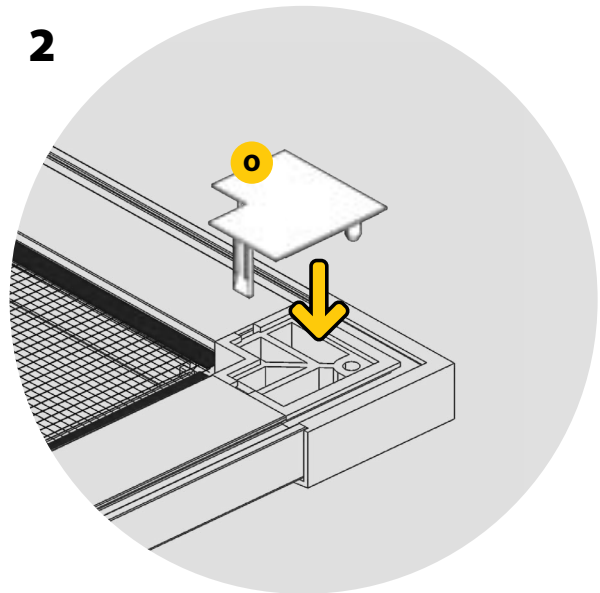
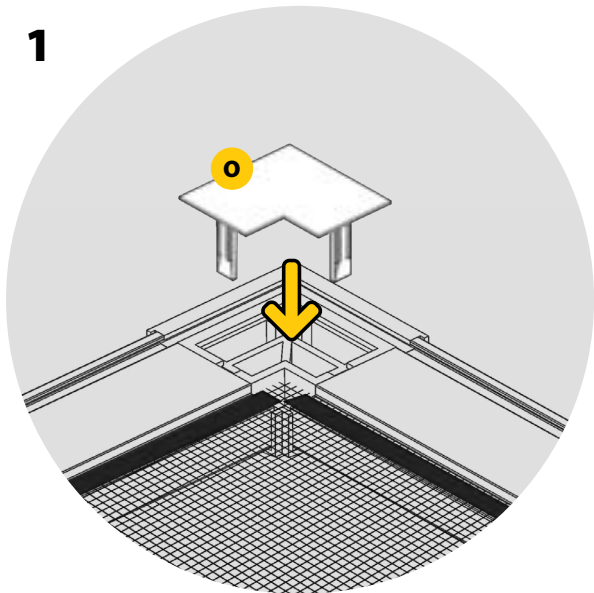
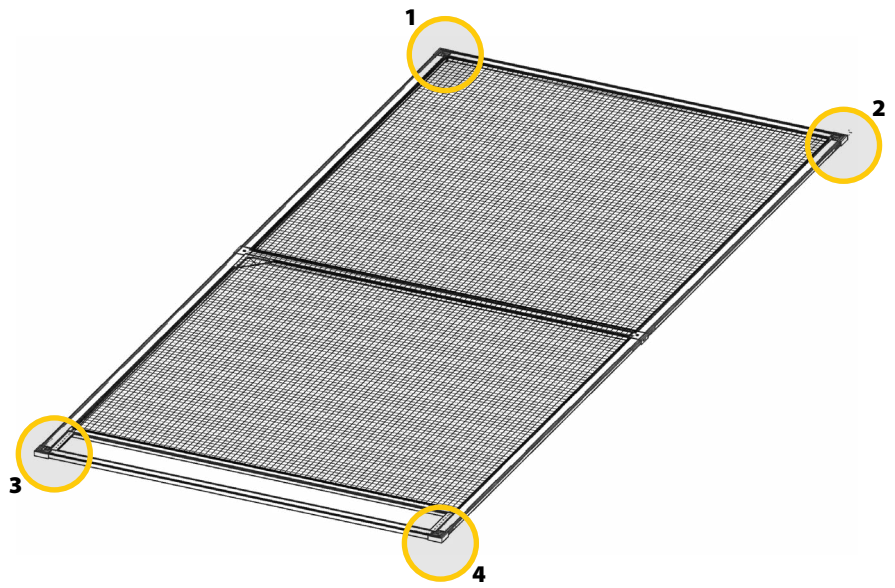
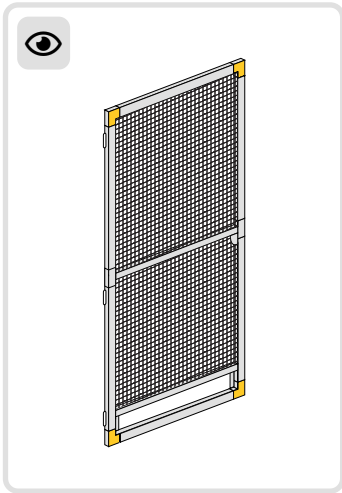
24 OPT 1



C

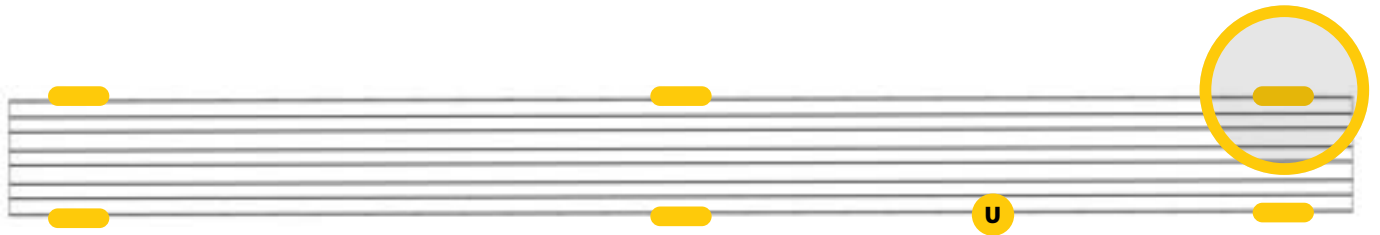
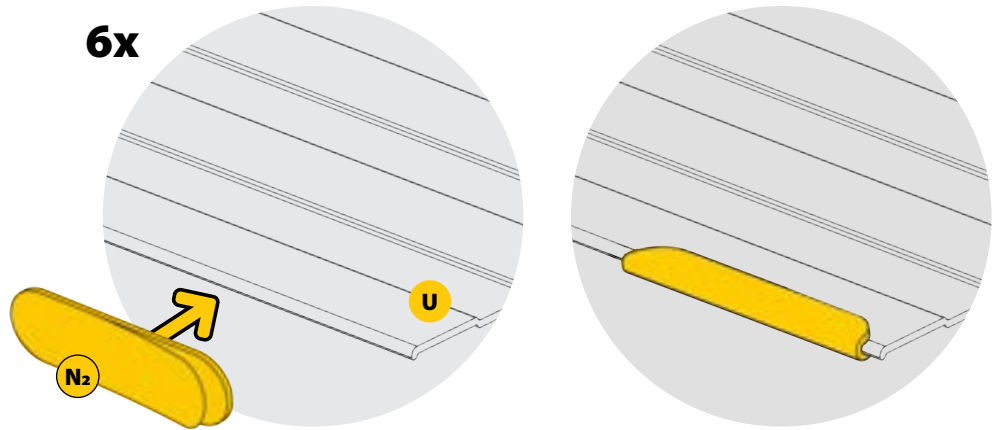
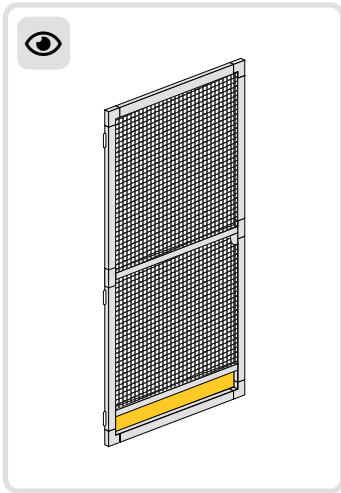




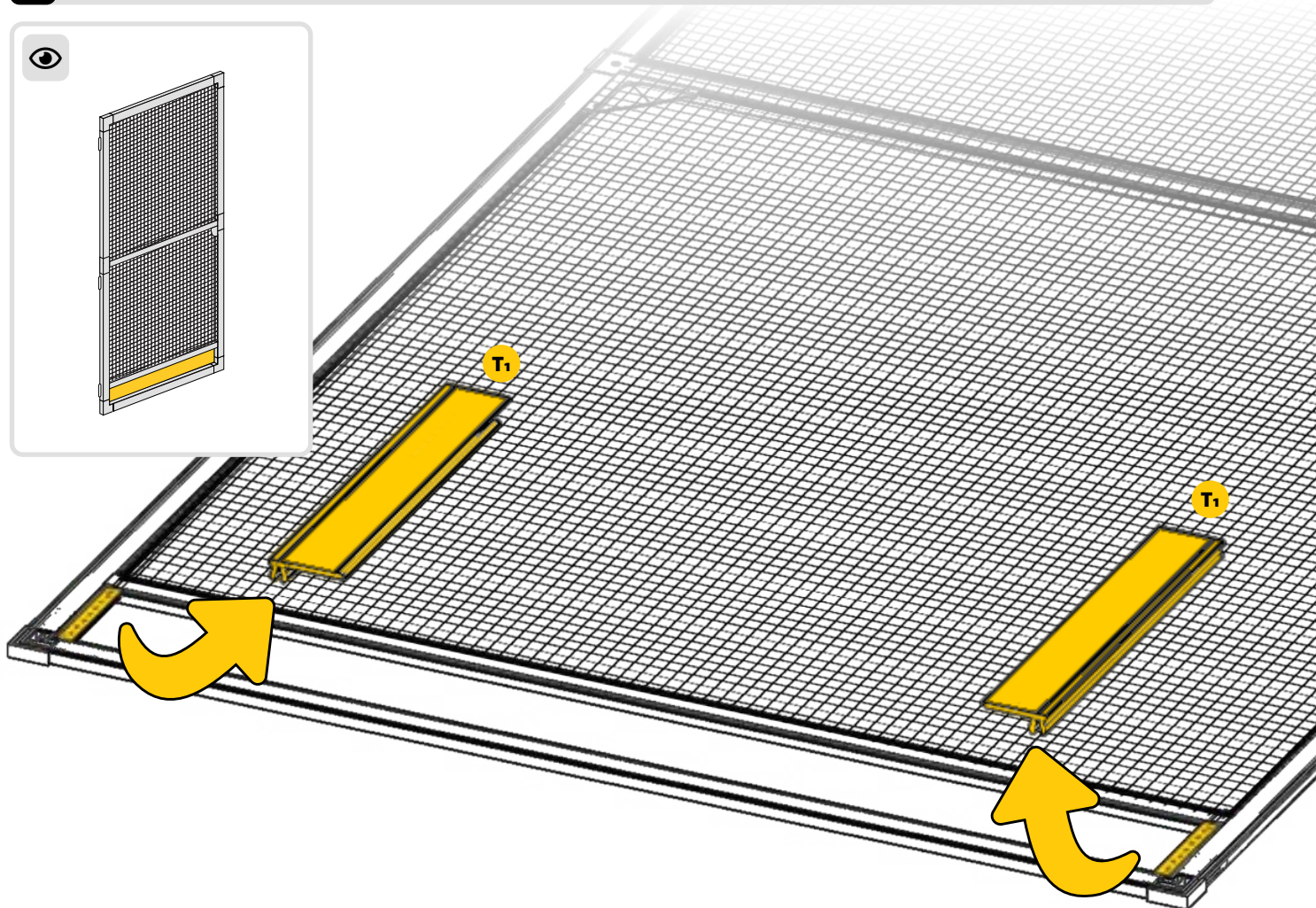
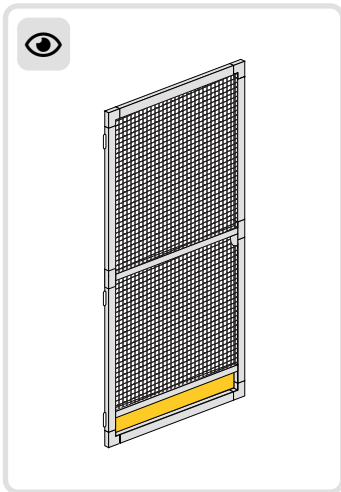


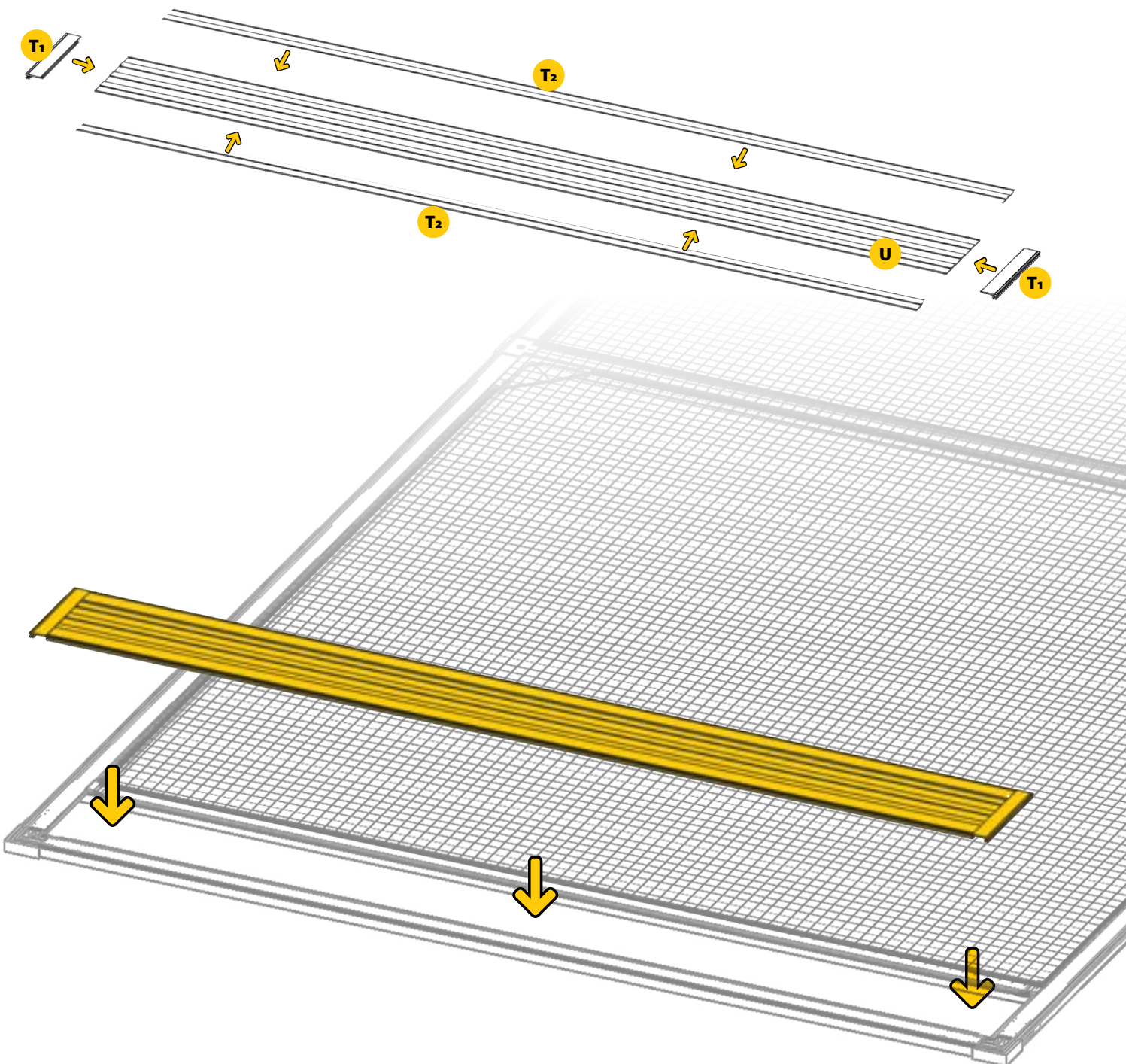
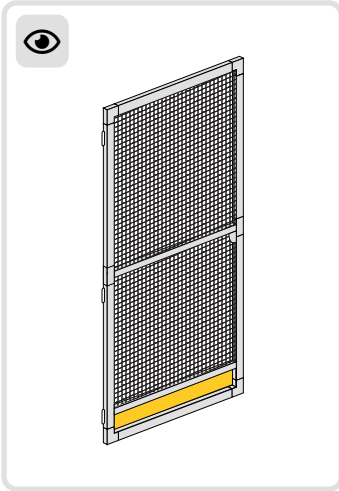


27 OPT 1



28 OPT 1



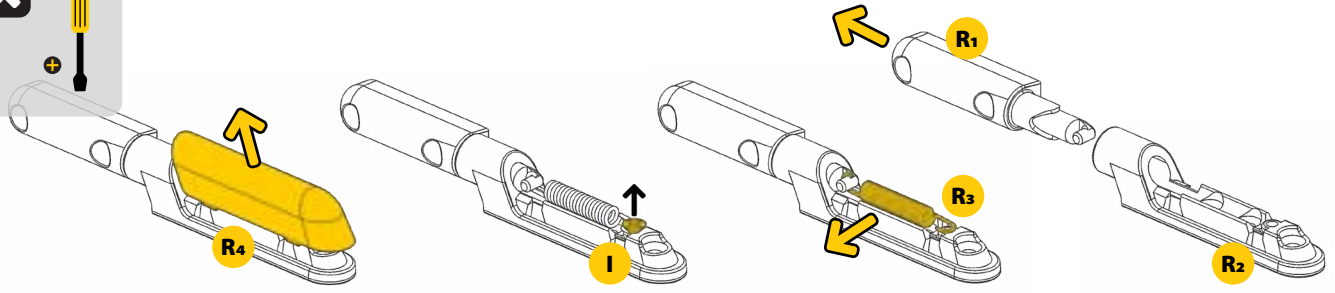




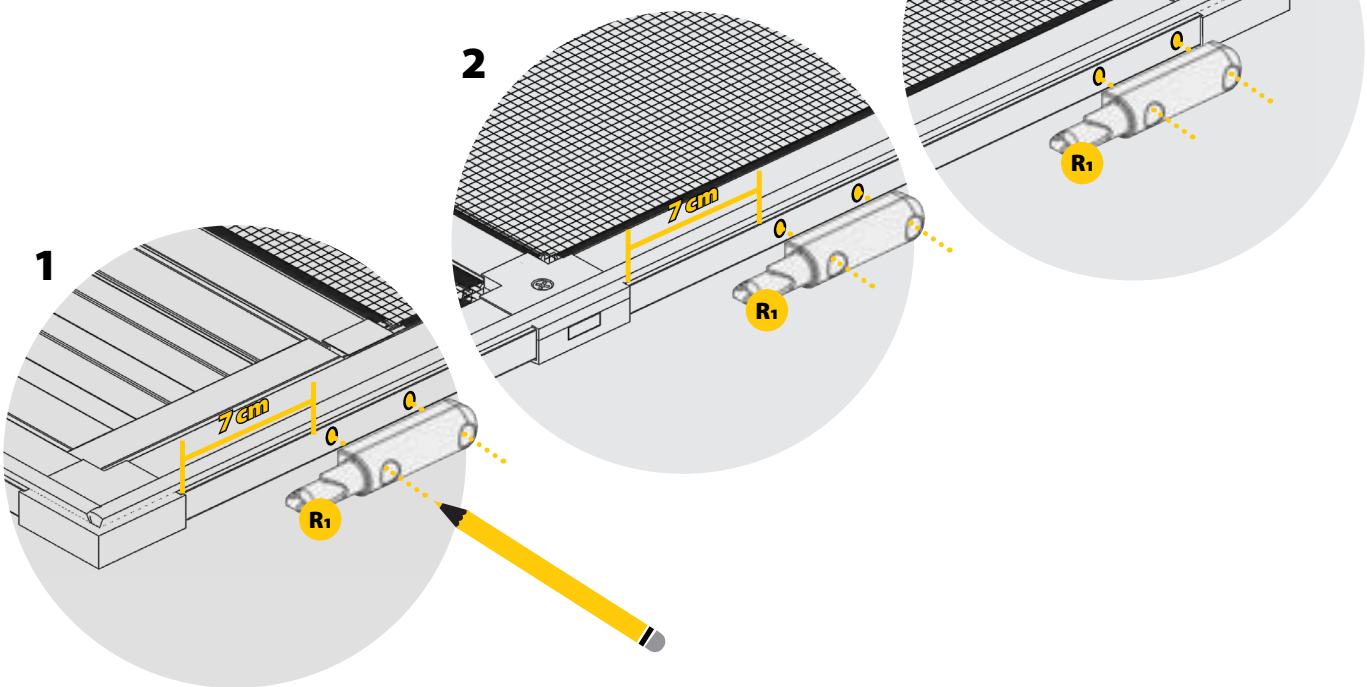
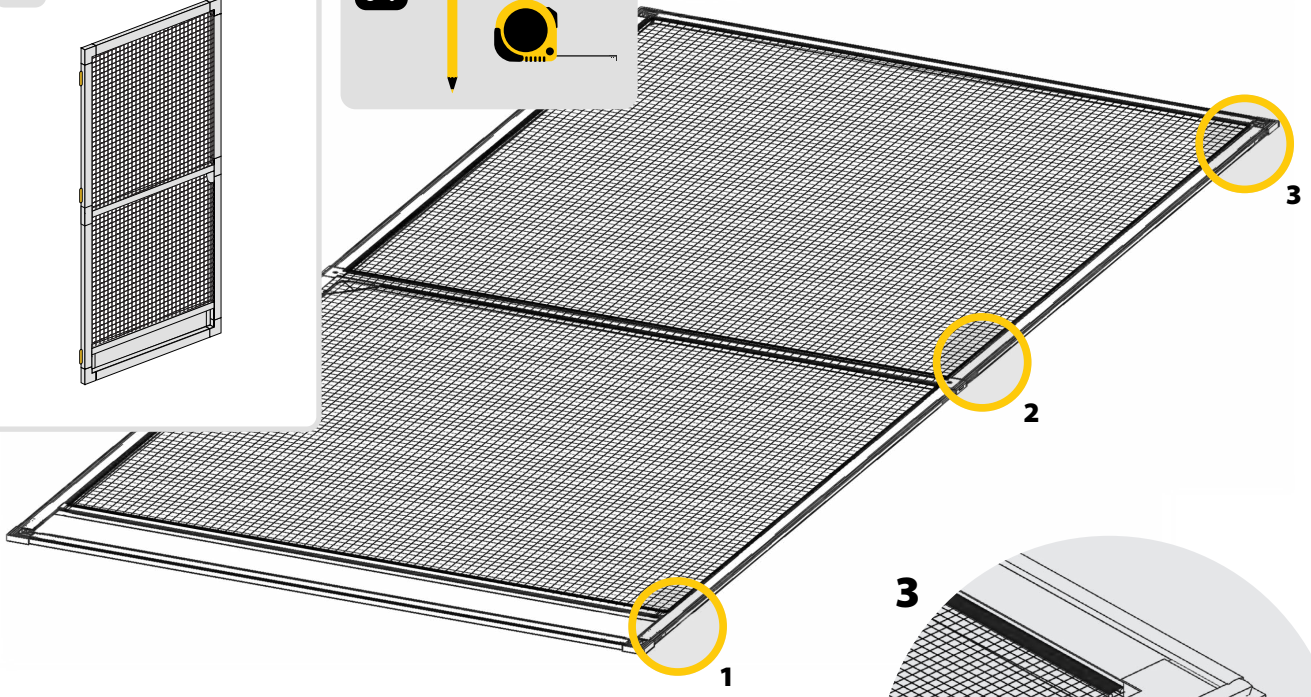
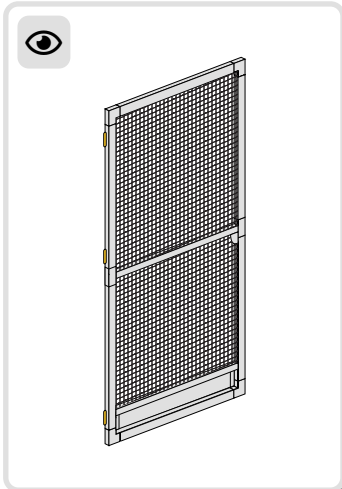
30 OPT 1

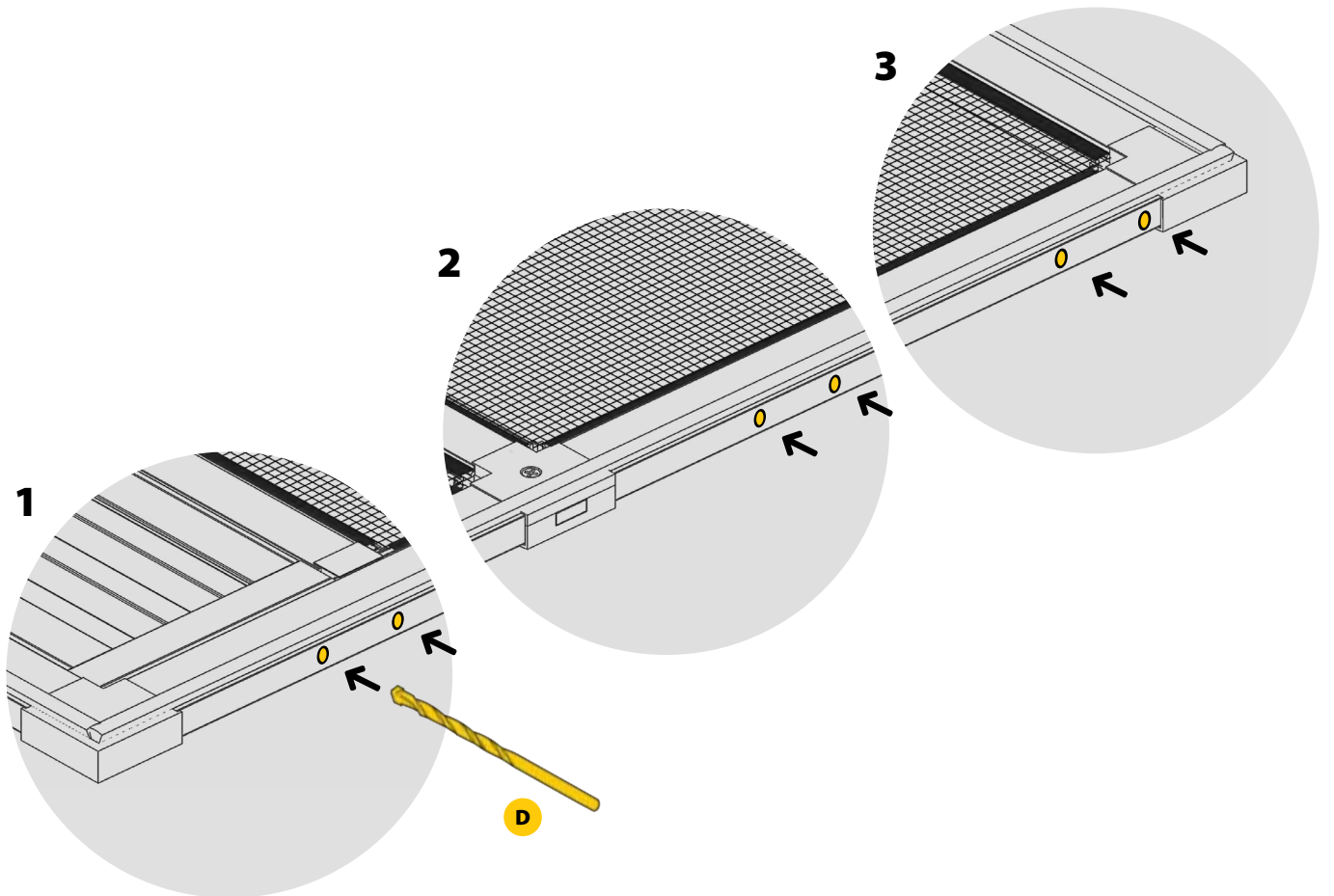
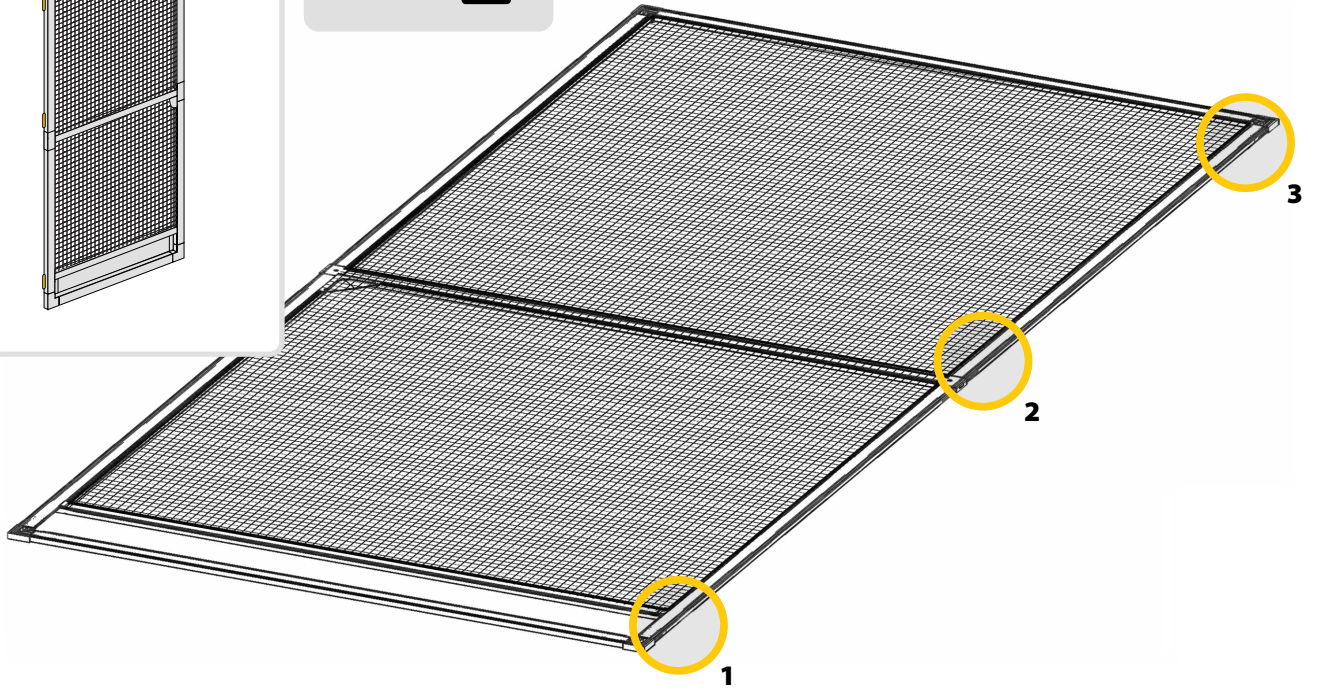
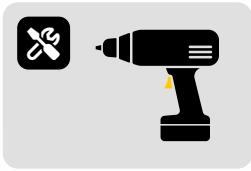


3x R

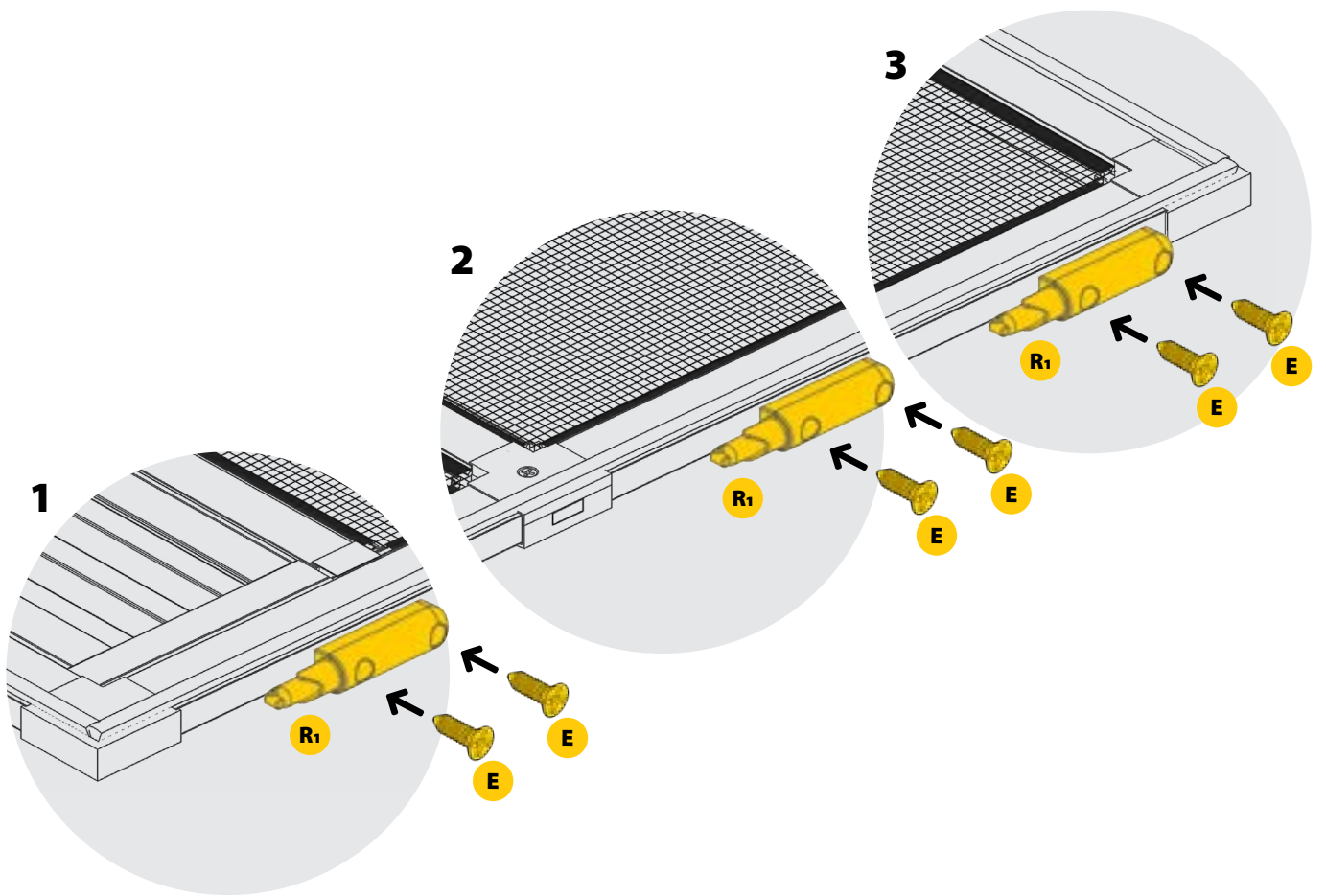
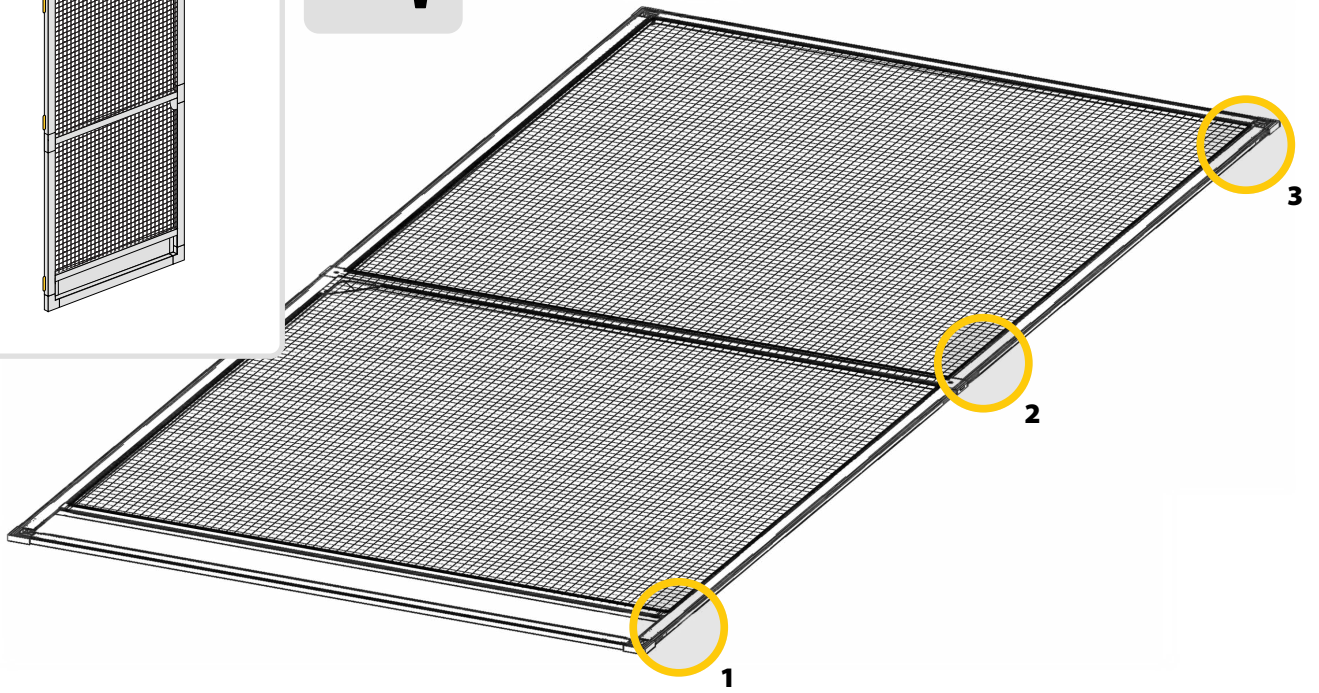
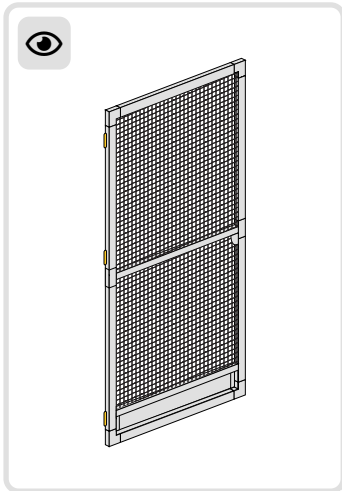


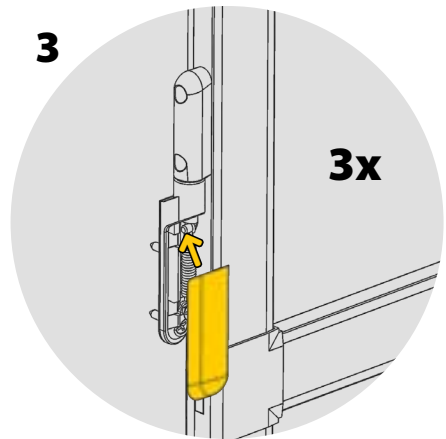
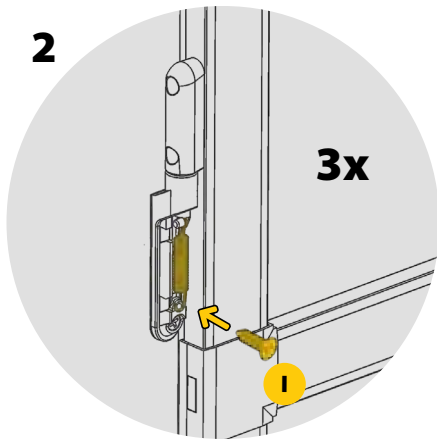
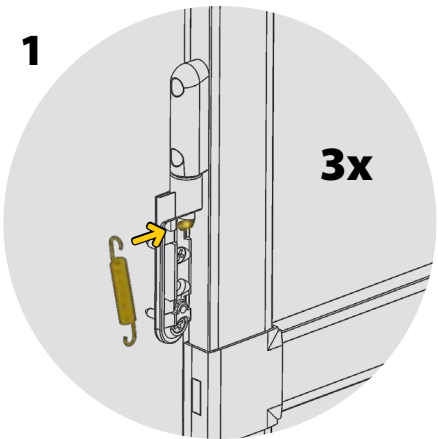
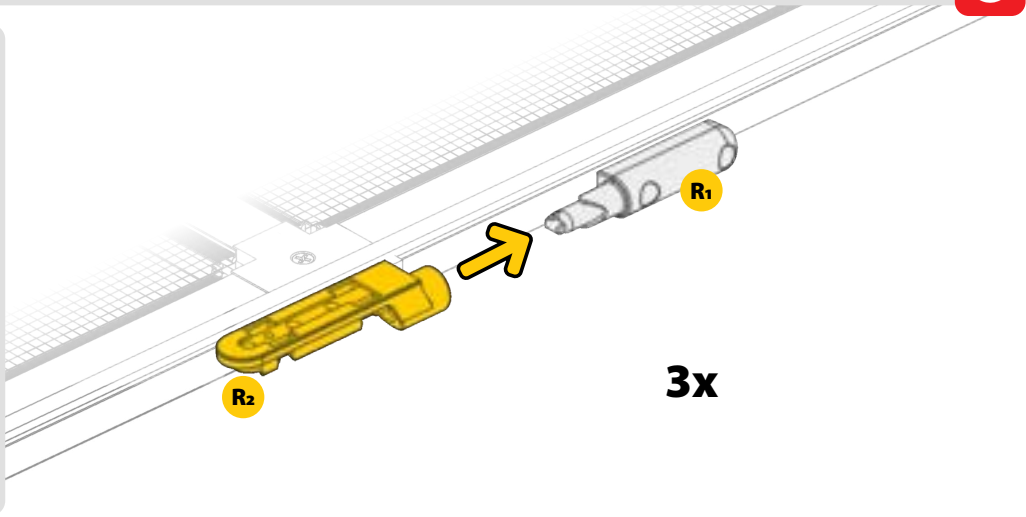
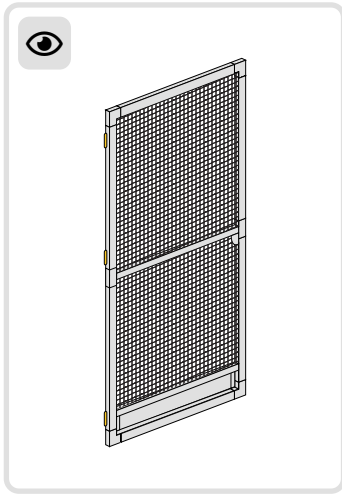
31 OPT 1

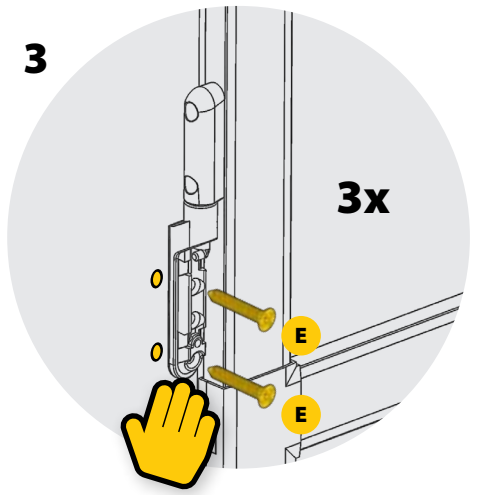
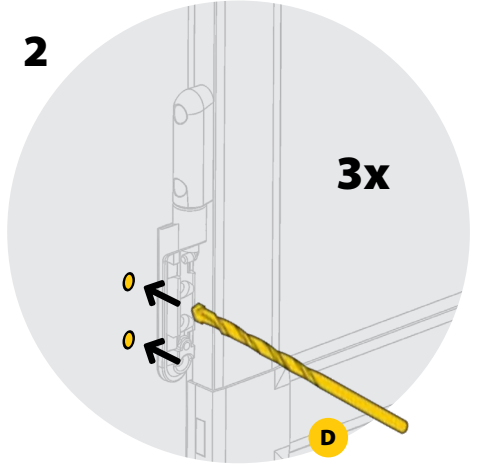
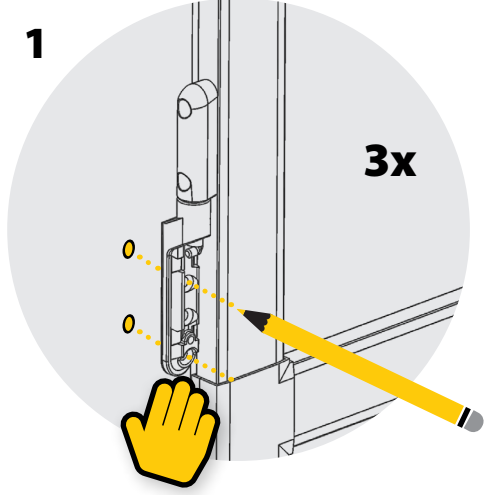
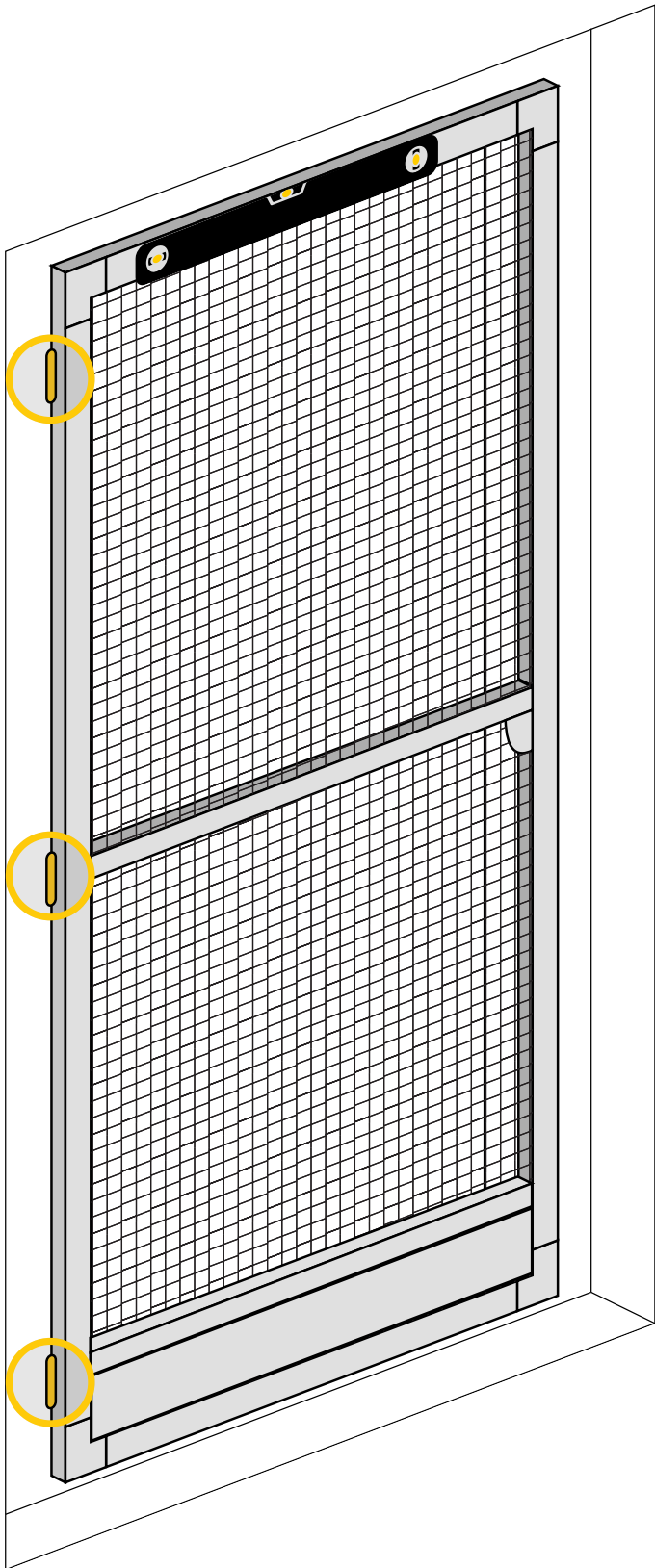




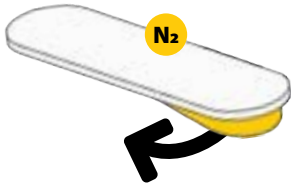




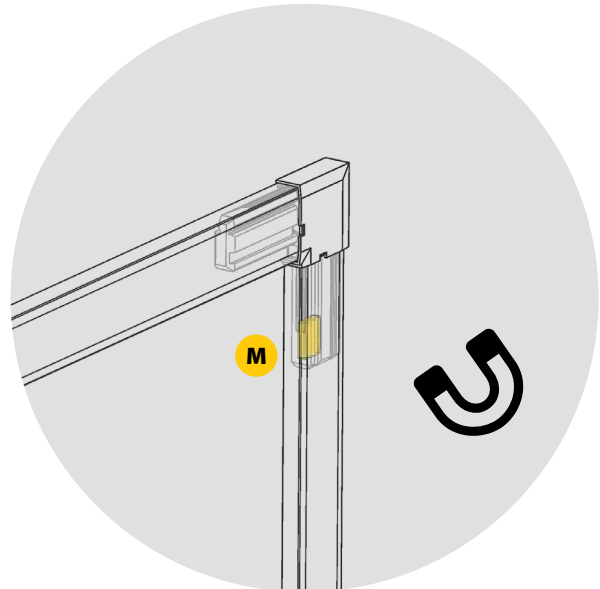
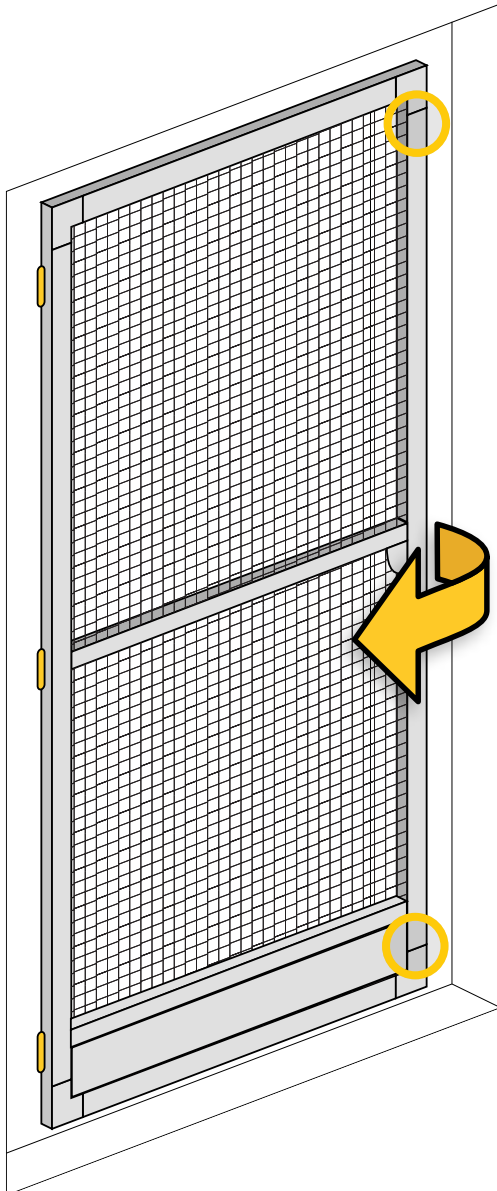
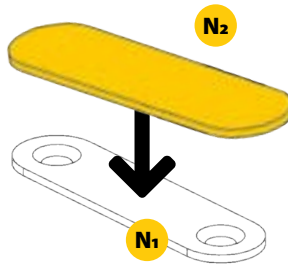




1

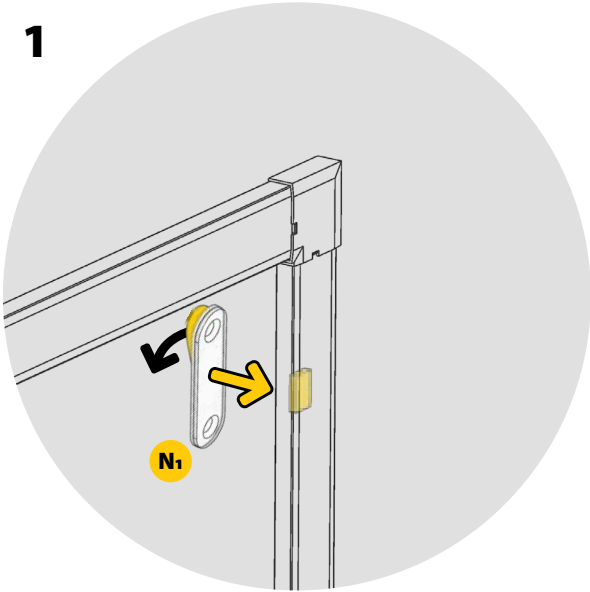


2

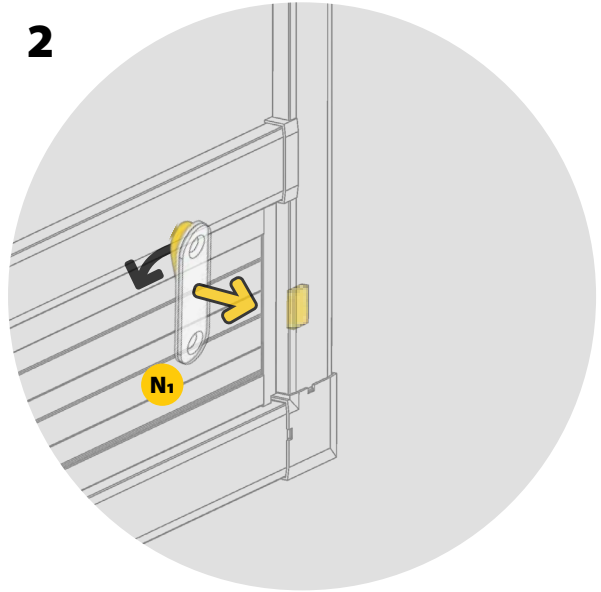




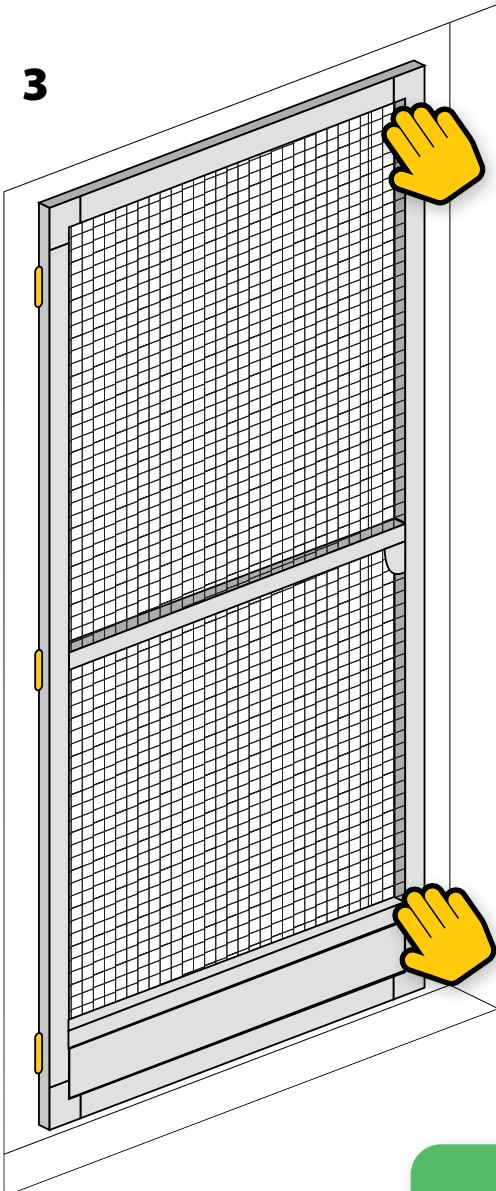
1



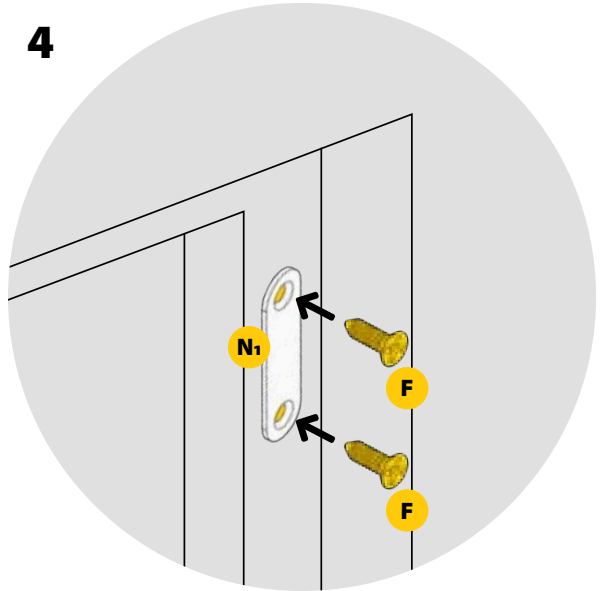
2



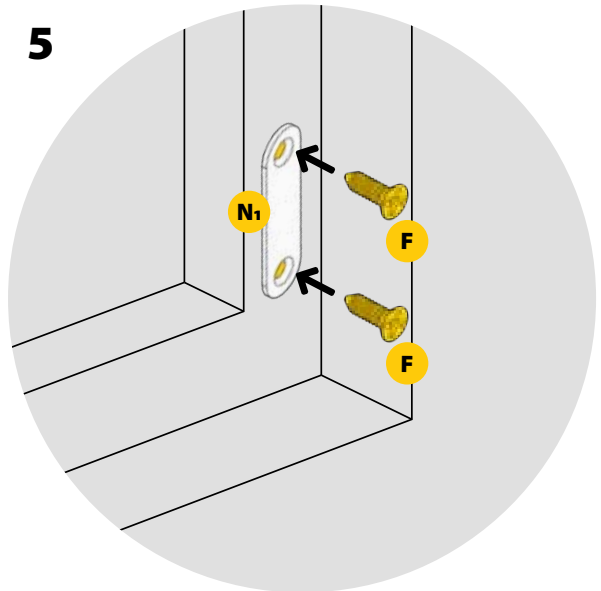
3



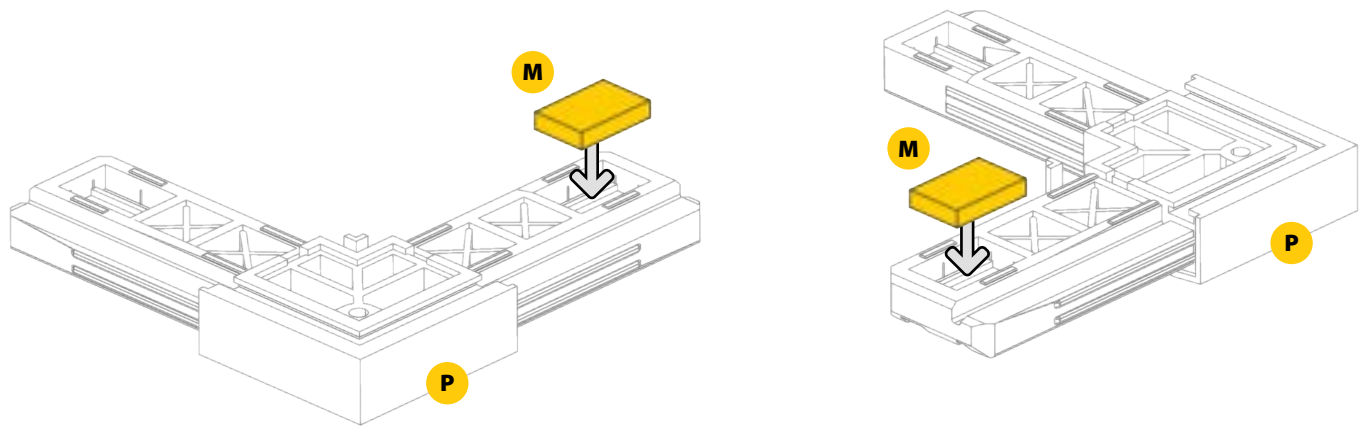
4



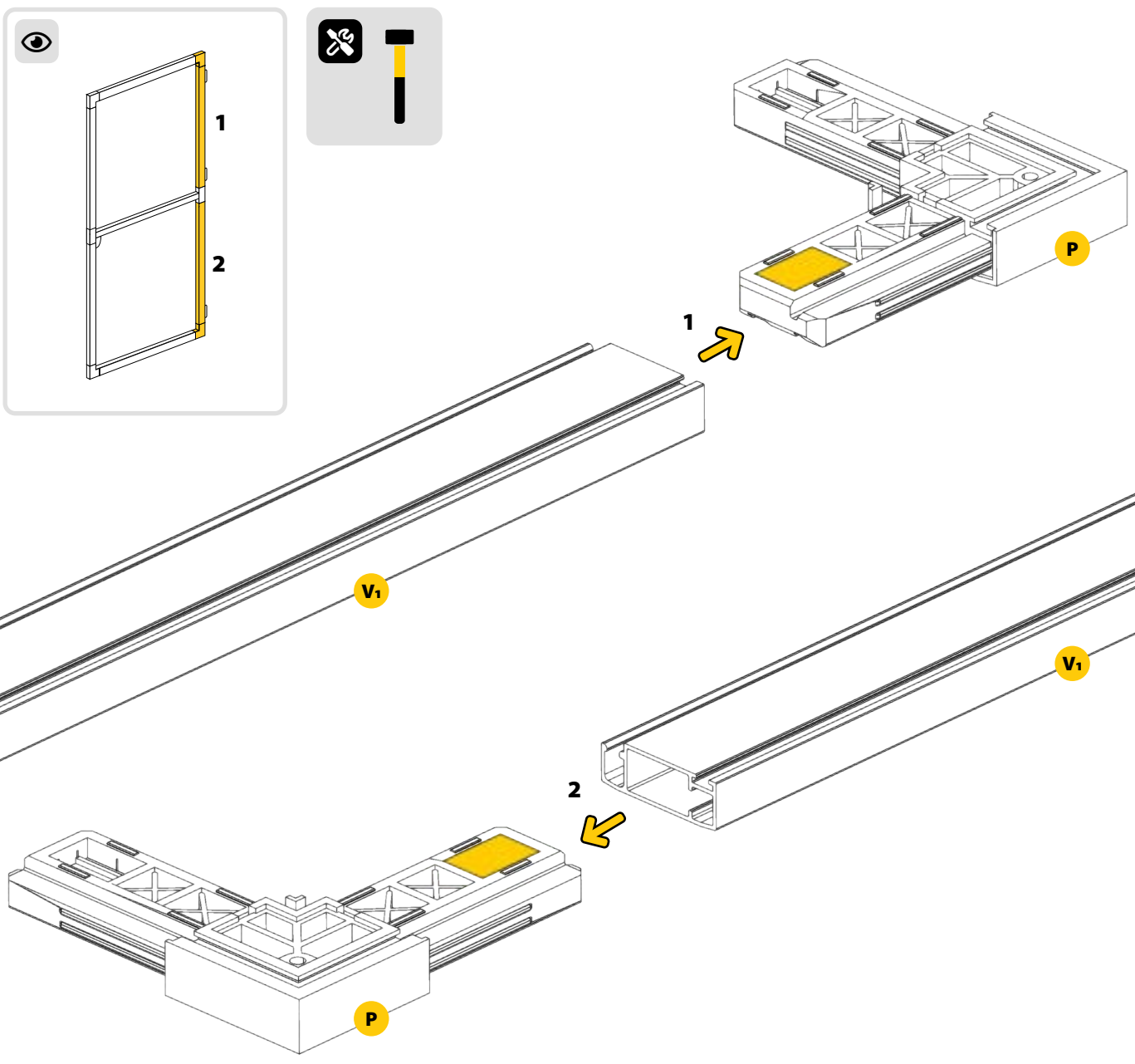
5



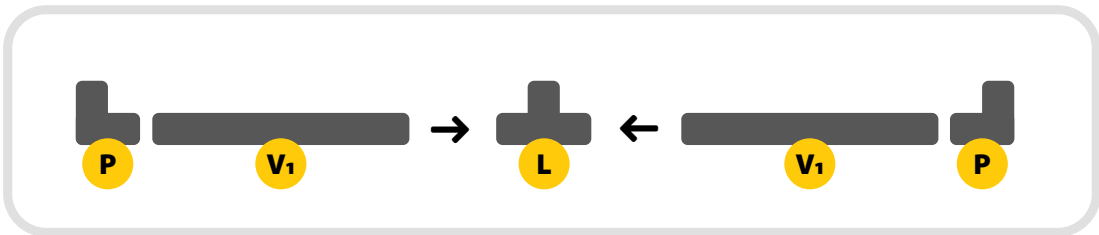
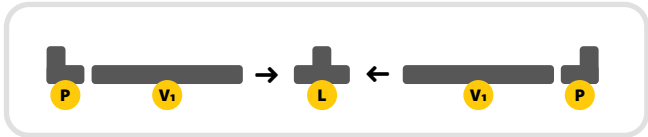
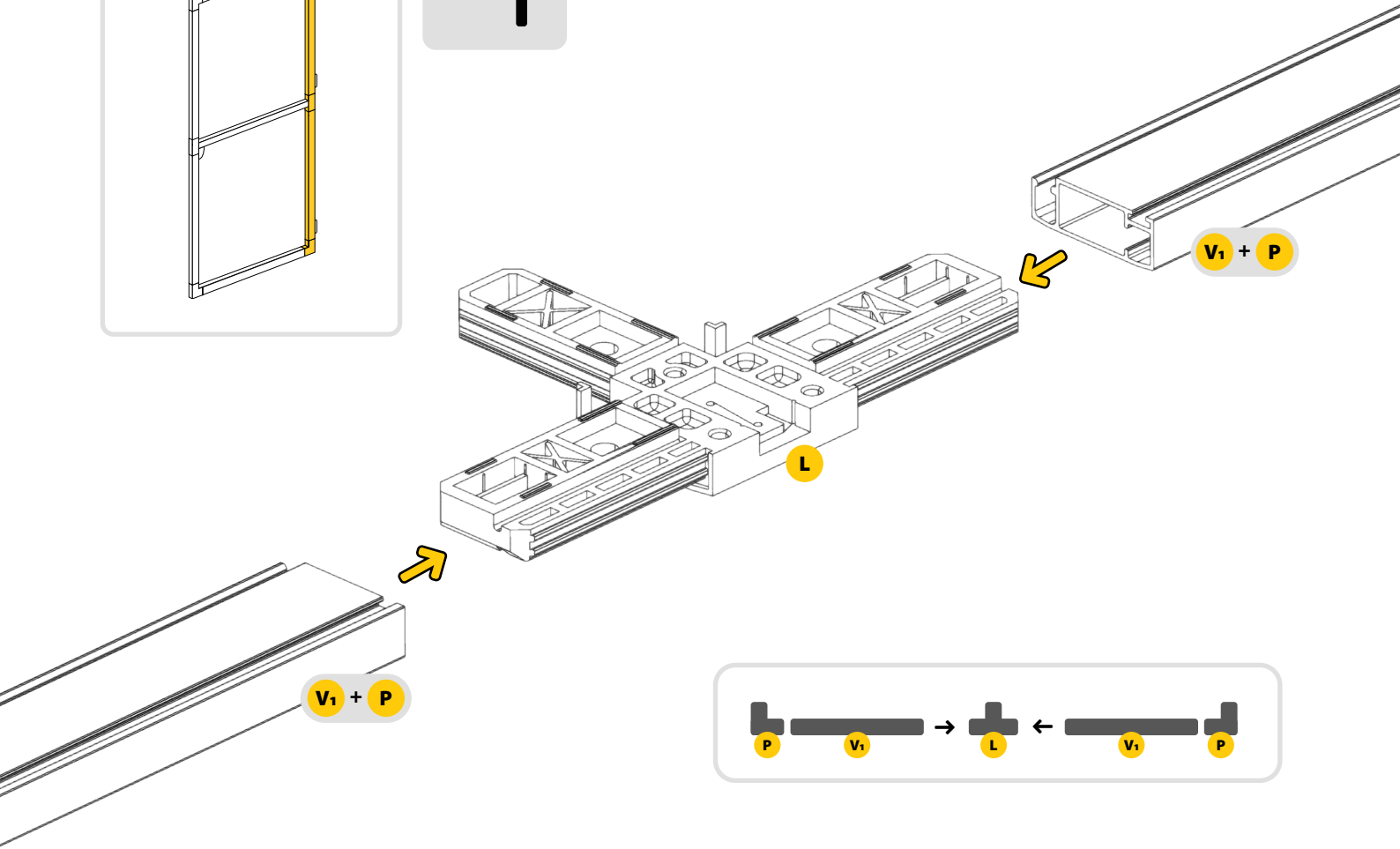
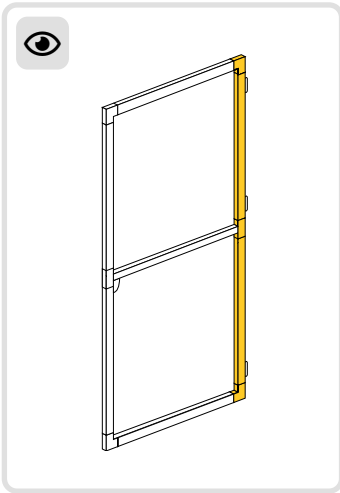
**5** OPT 2



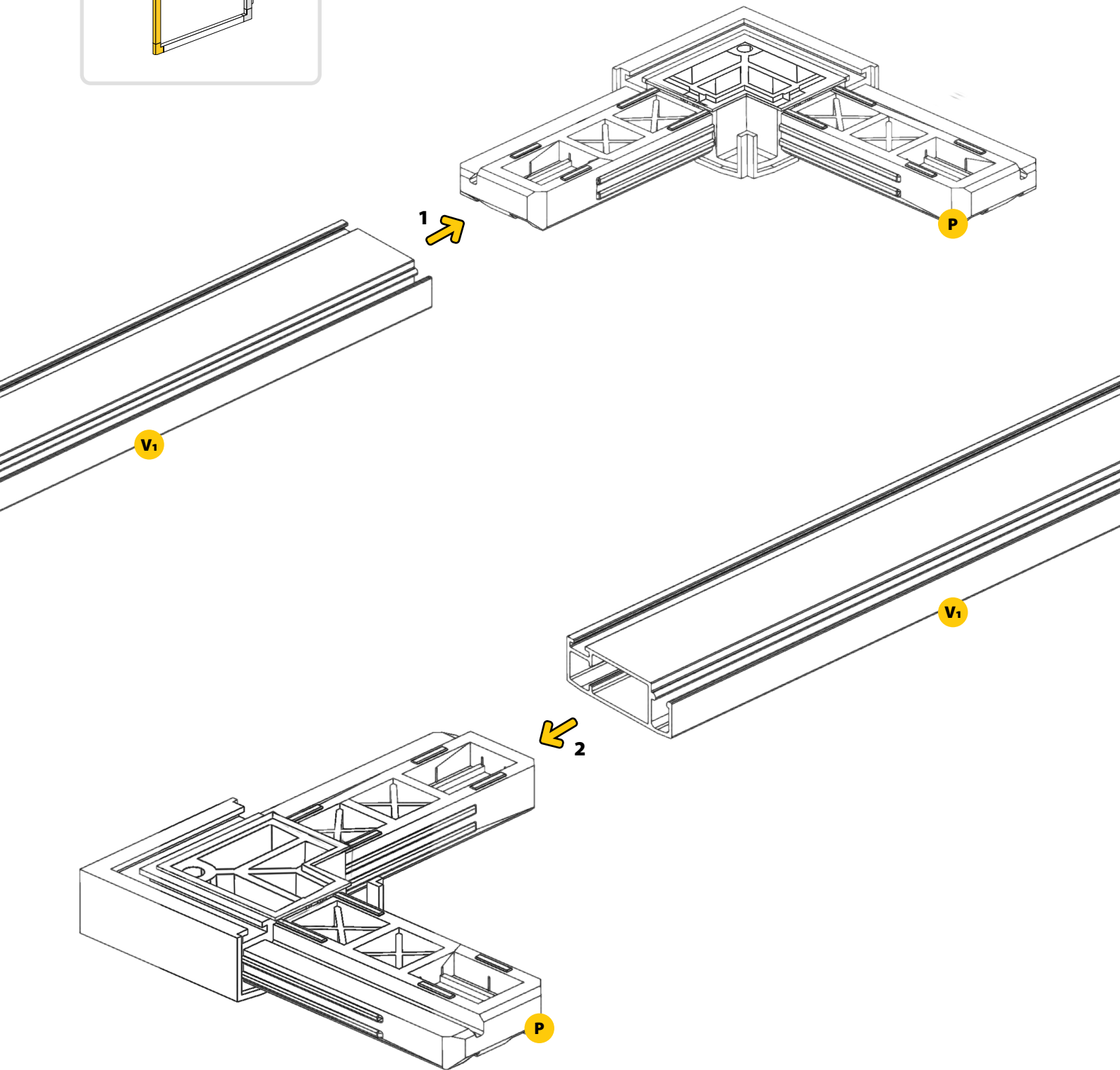
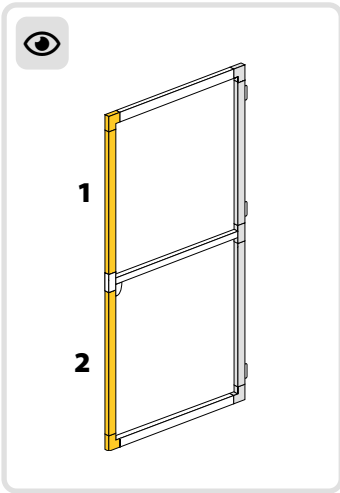
**6** OPT 2



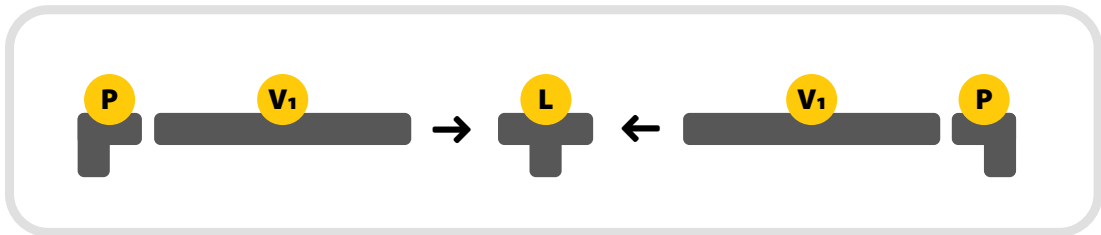
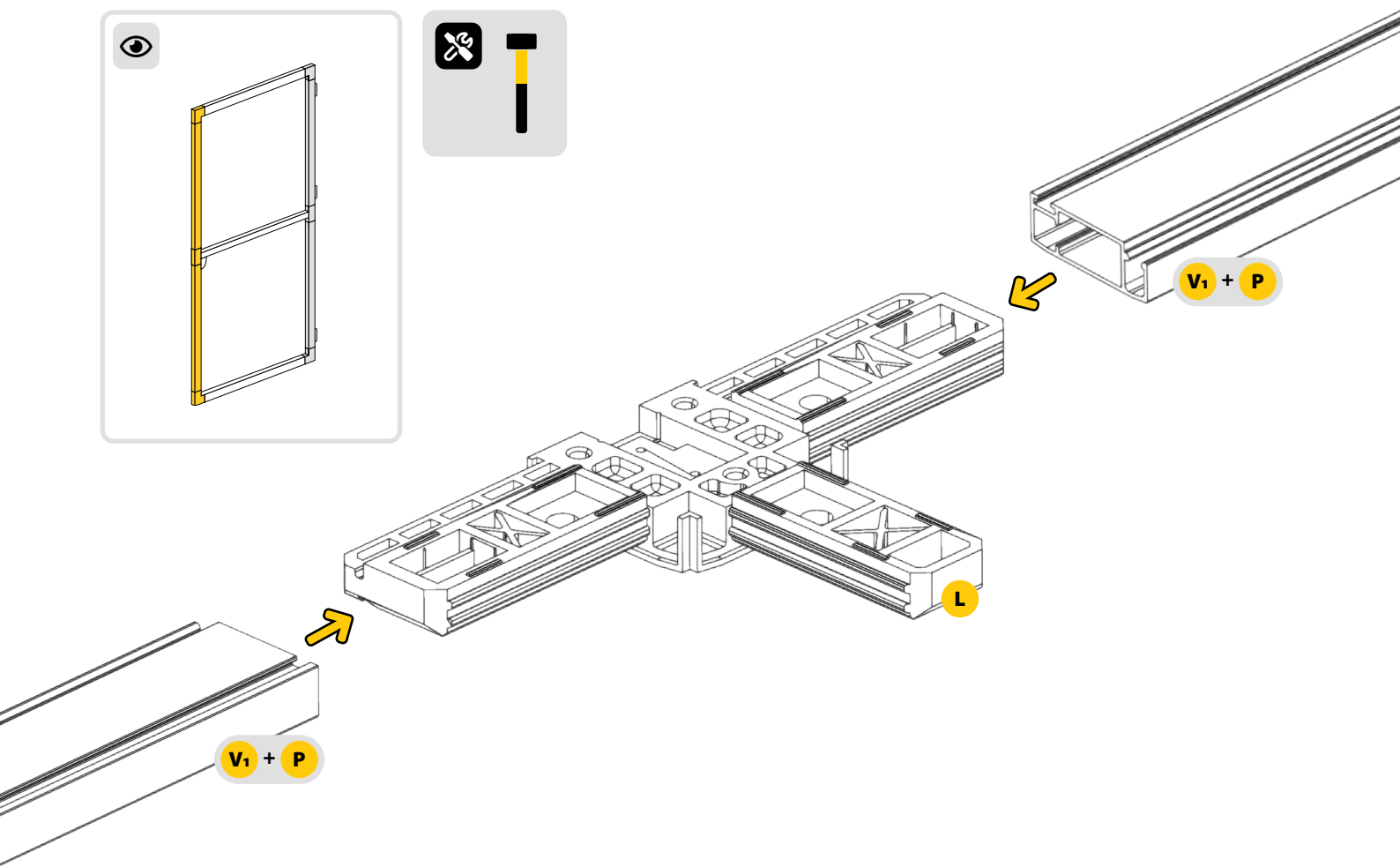
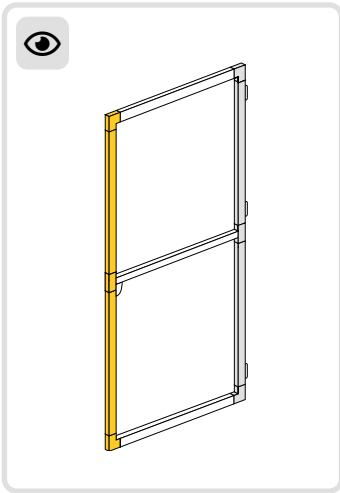
7 OPT 2



8 OPT 2

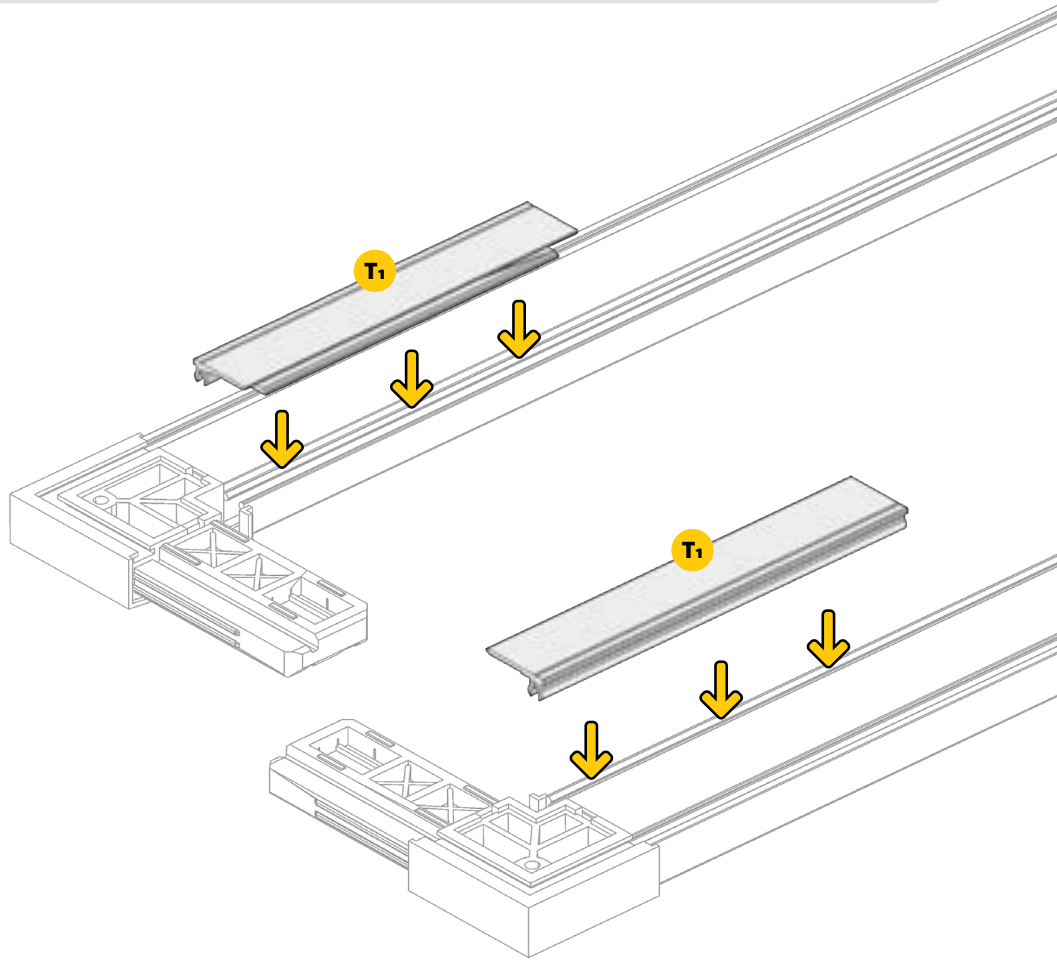
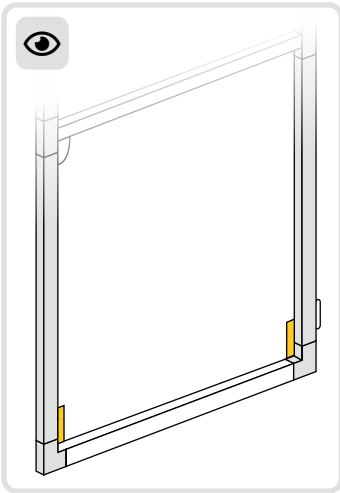


9 OPT 2

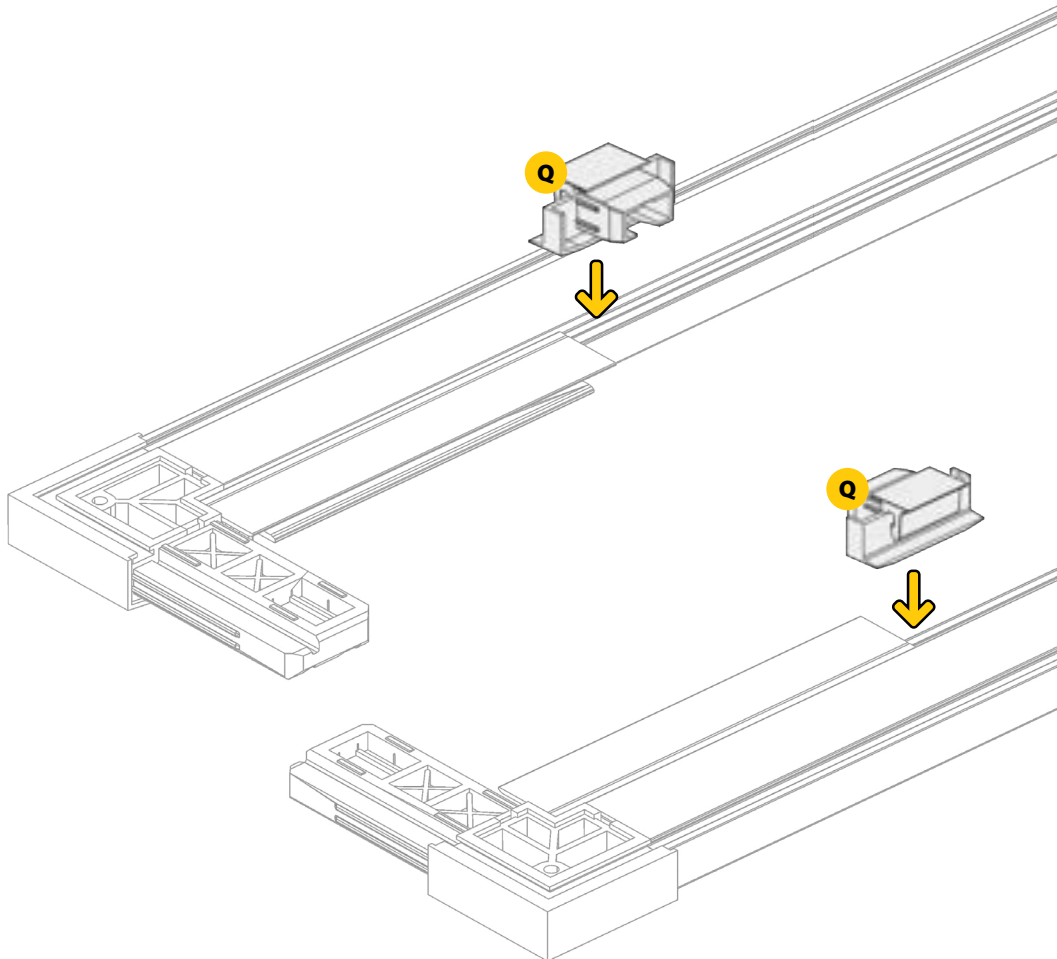
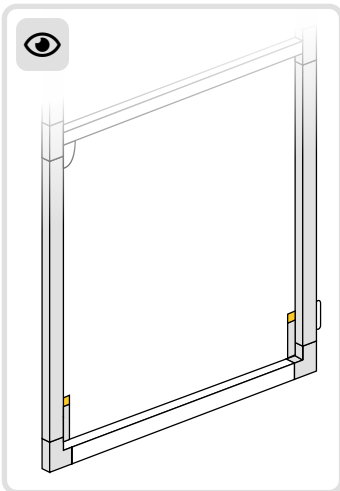




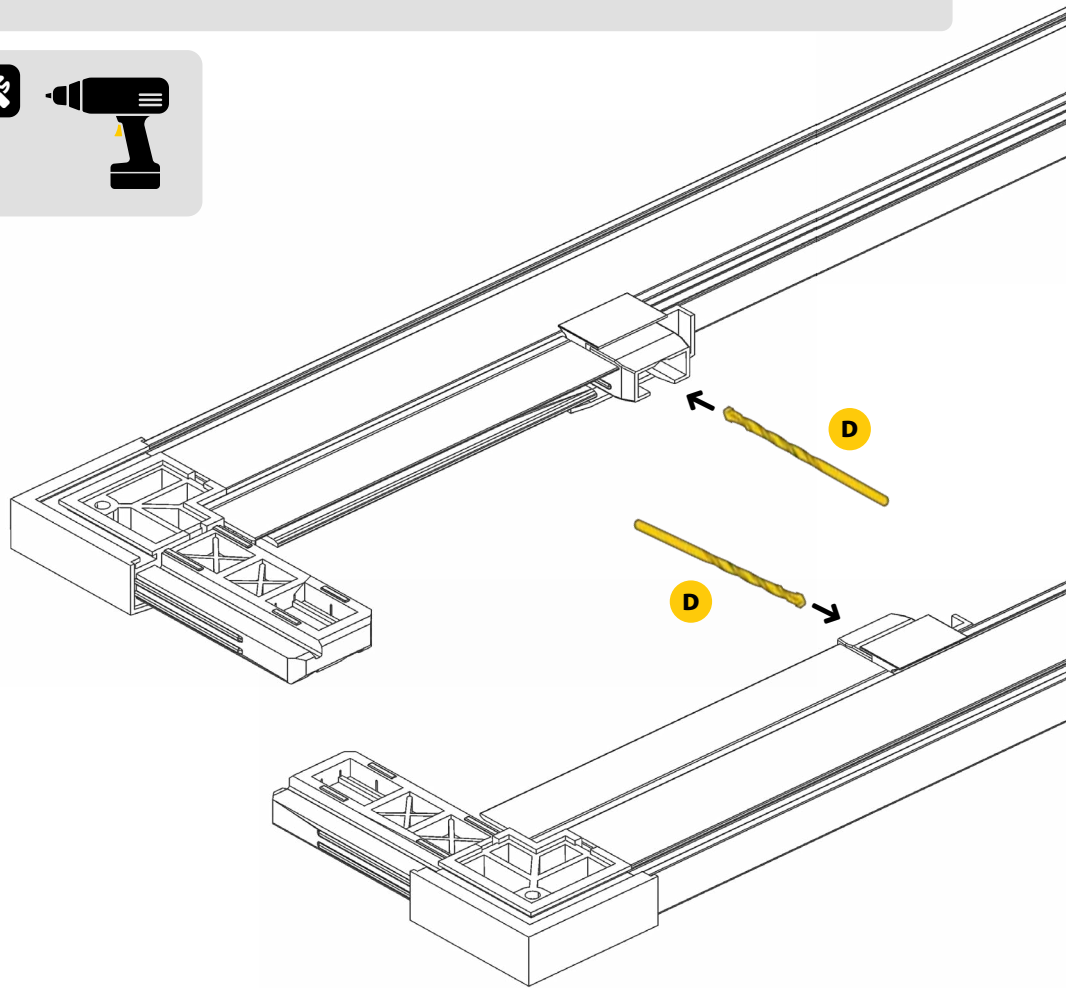
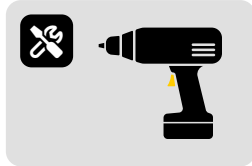
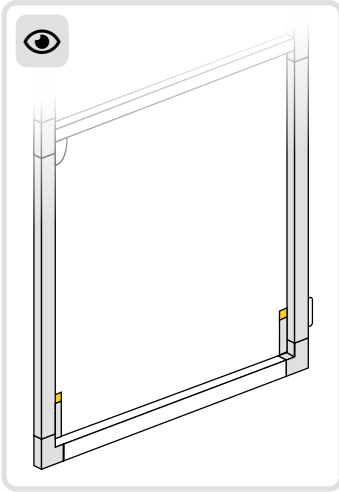
10 OPT 2



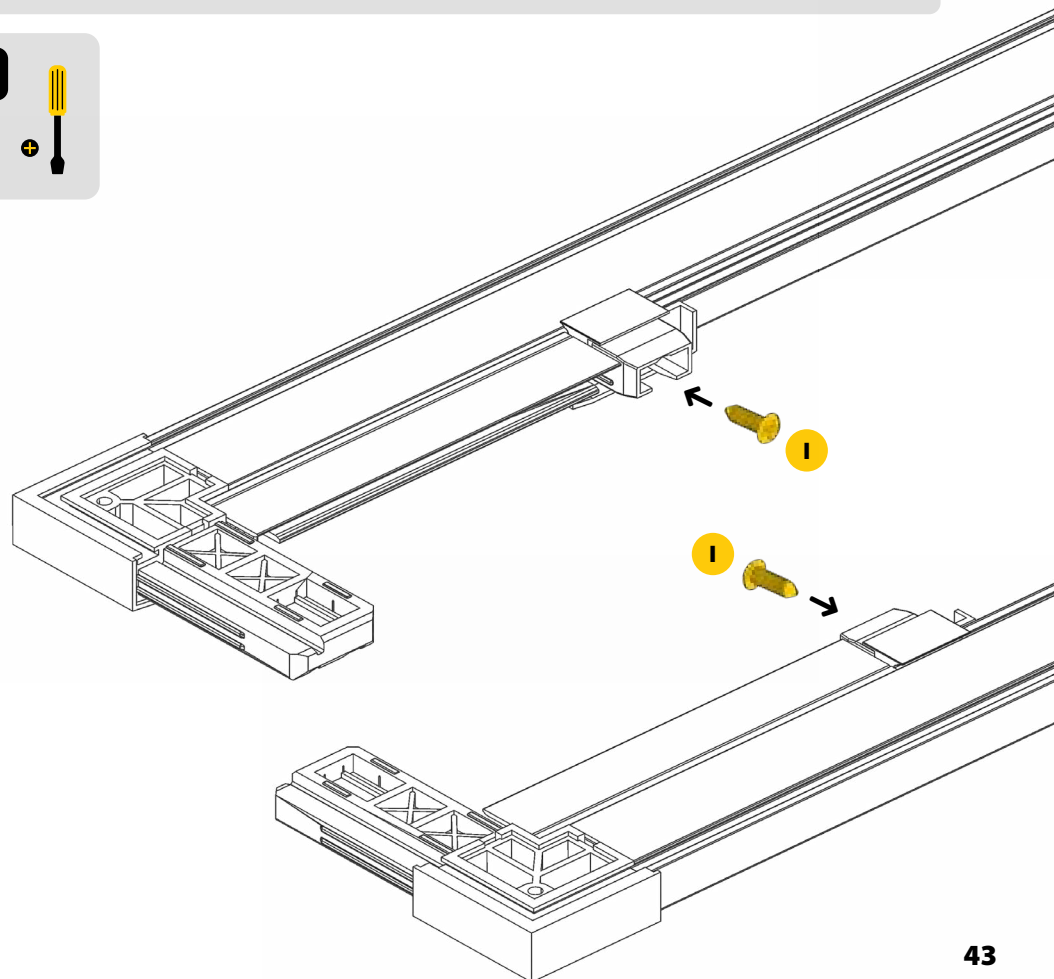
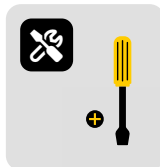
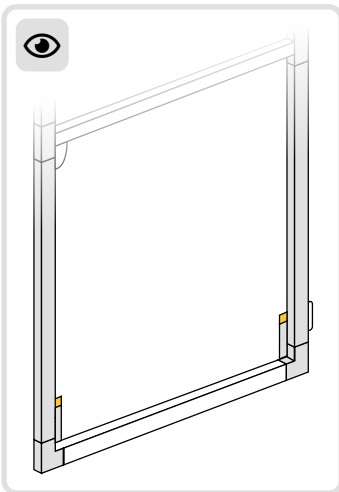
11 OPT 2

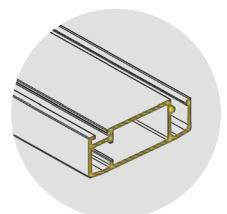
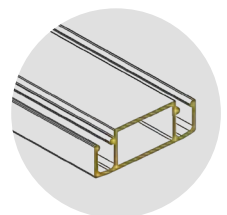
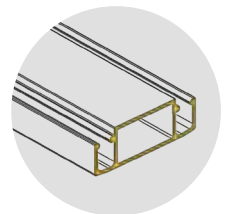
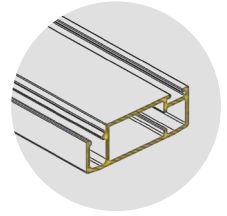
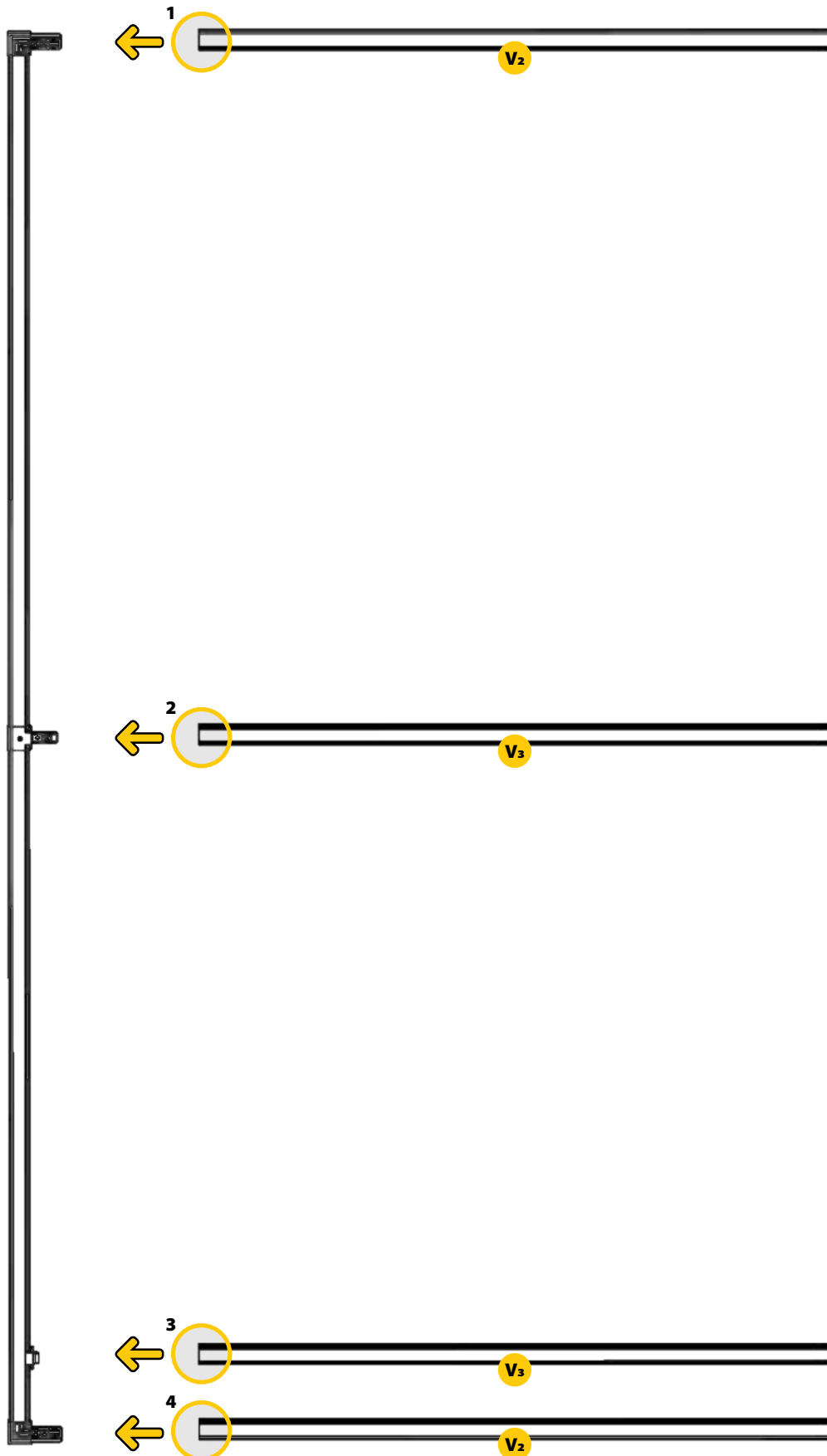


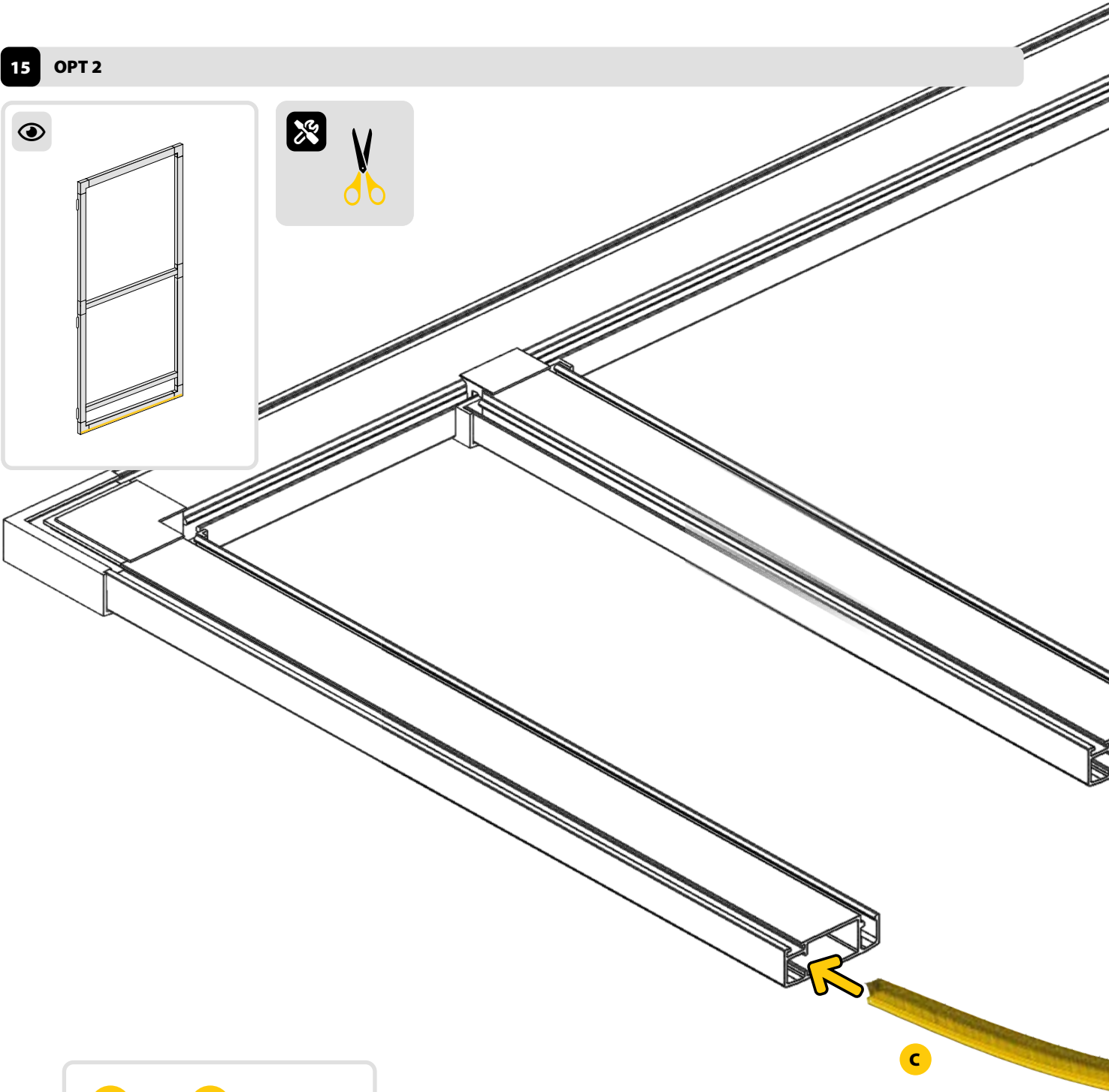
12 OPT 2



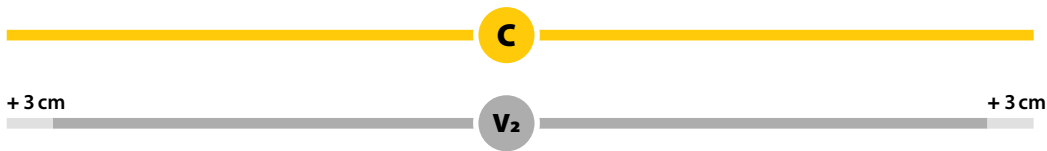
13 OPT 2

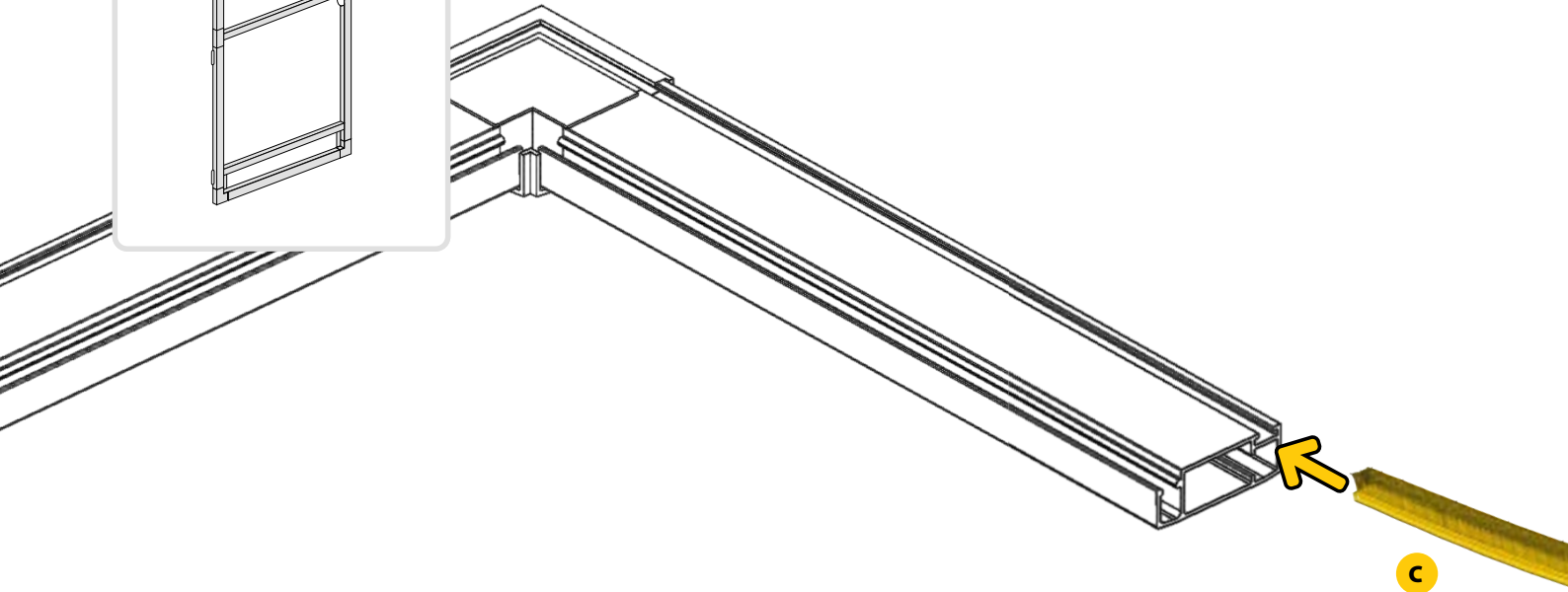




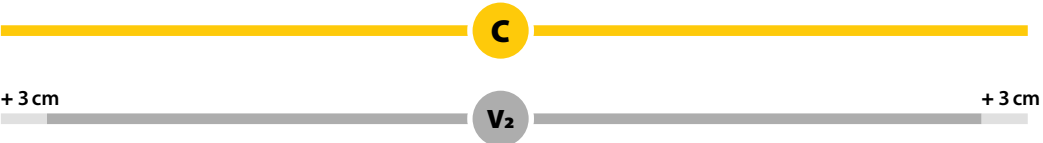


$$C = v_2 + 6 \text{ cm}$$

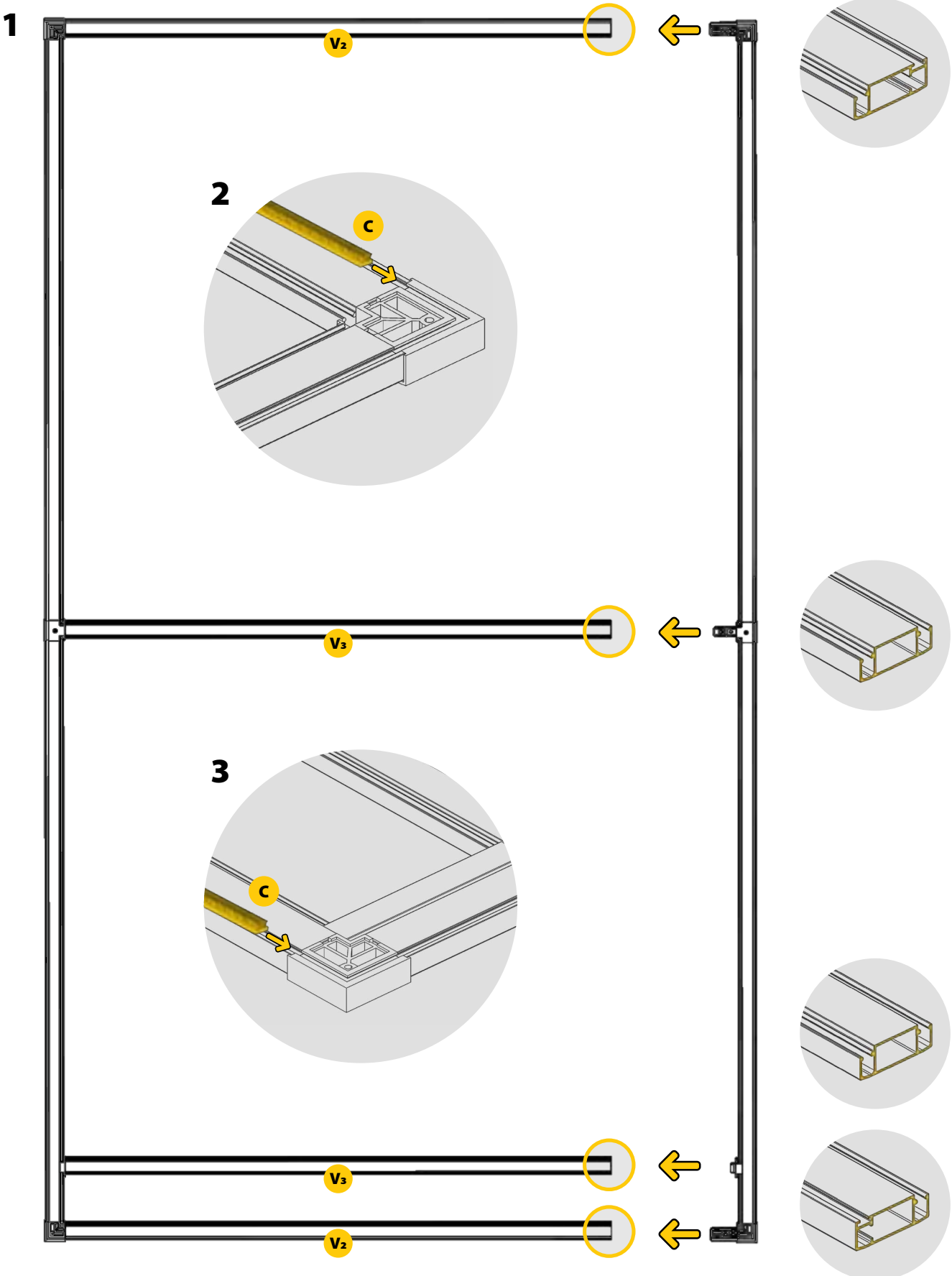




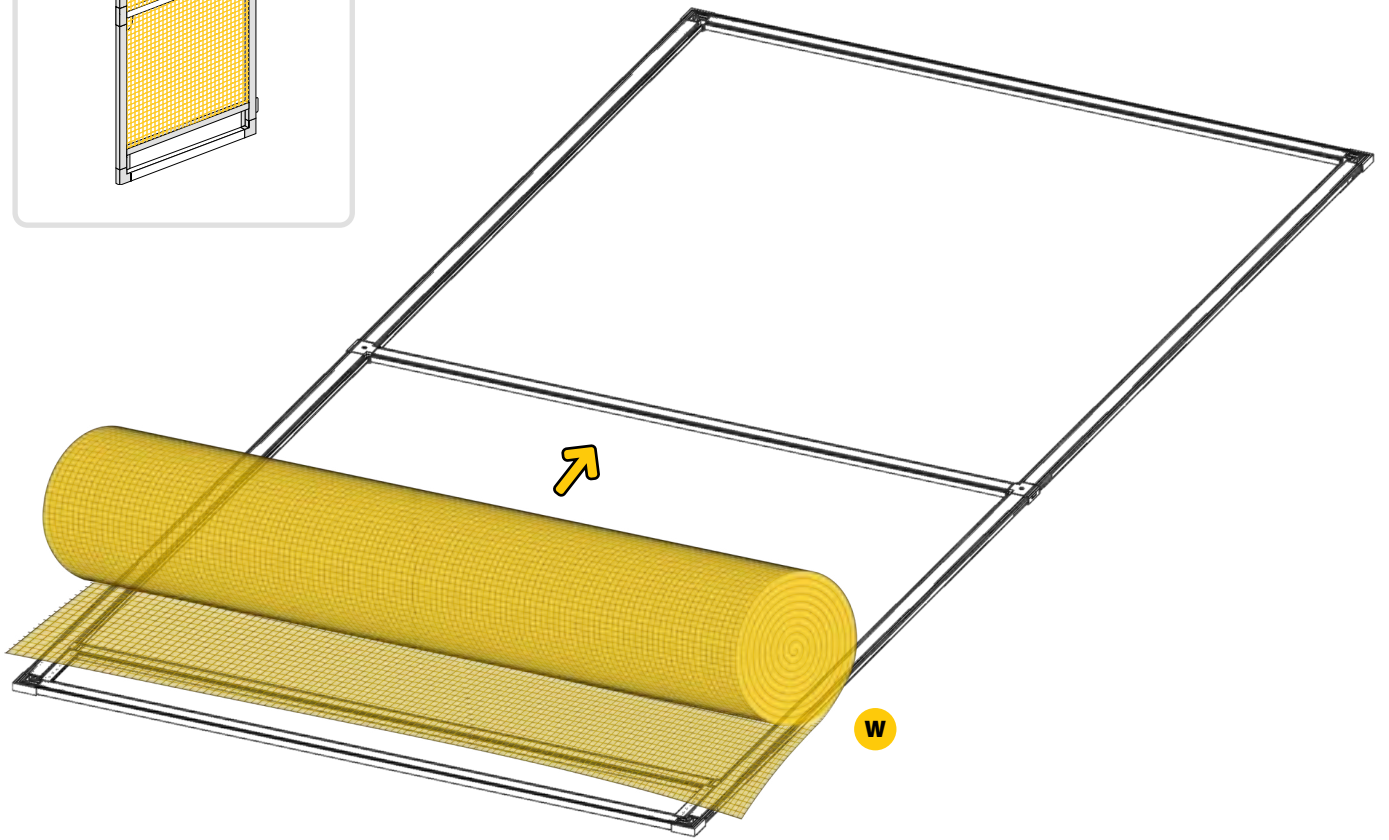
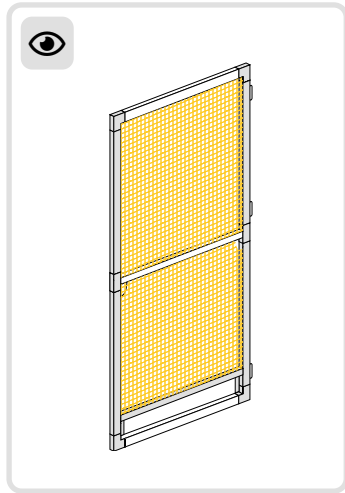
$$c = v_2 + 6 \text{ cm}$$



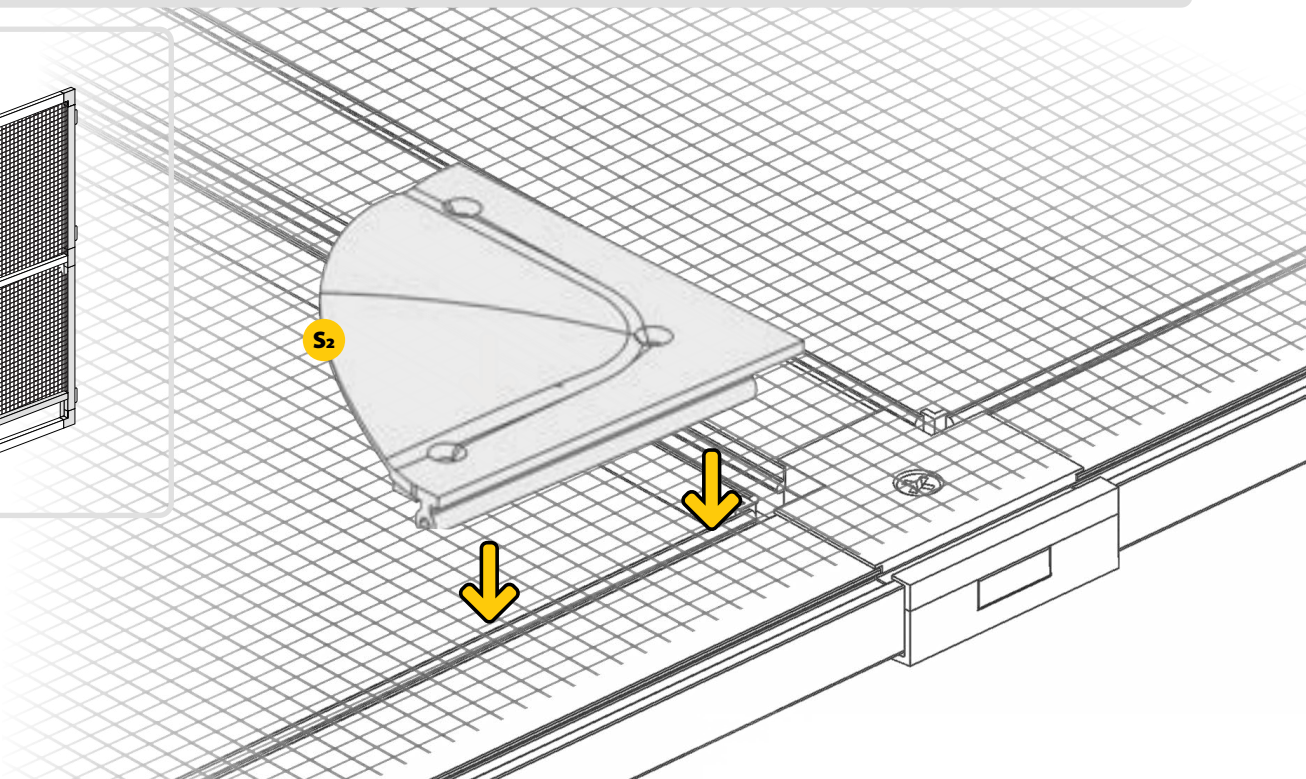
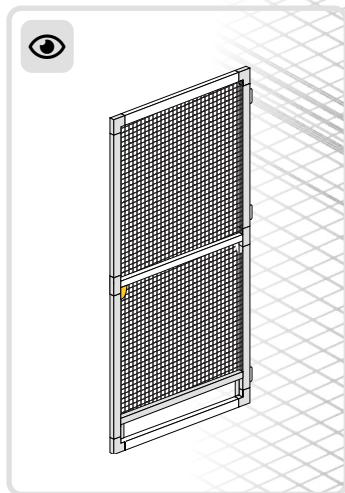


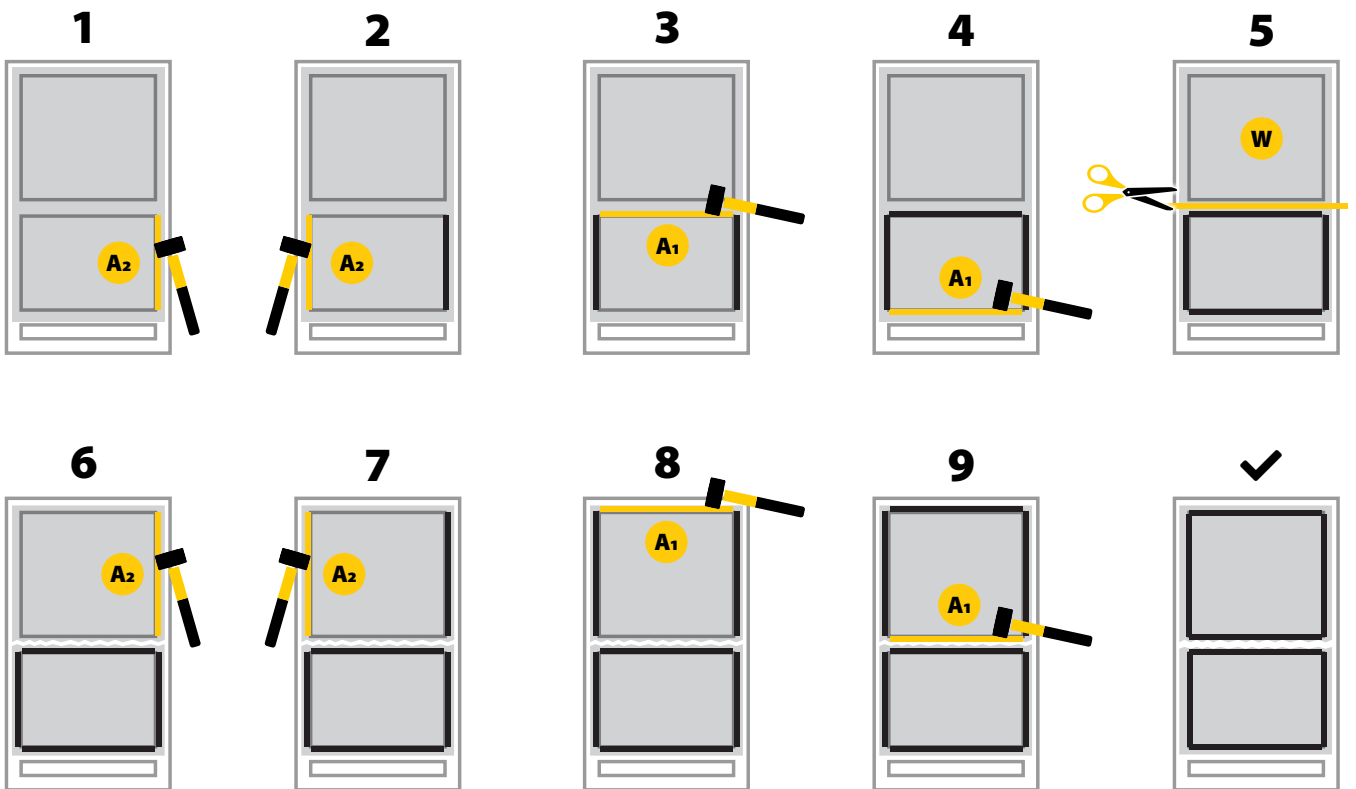
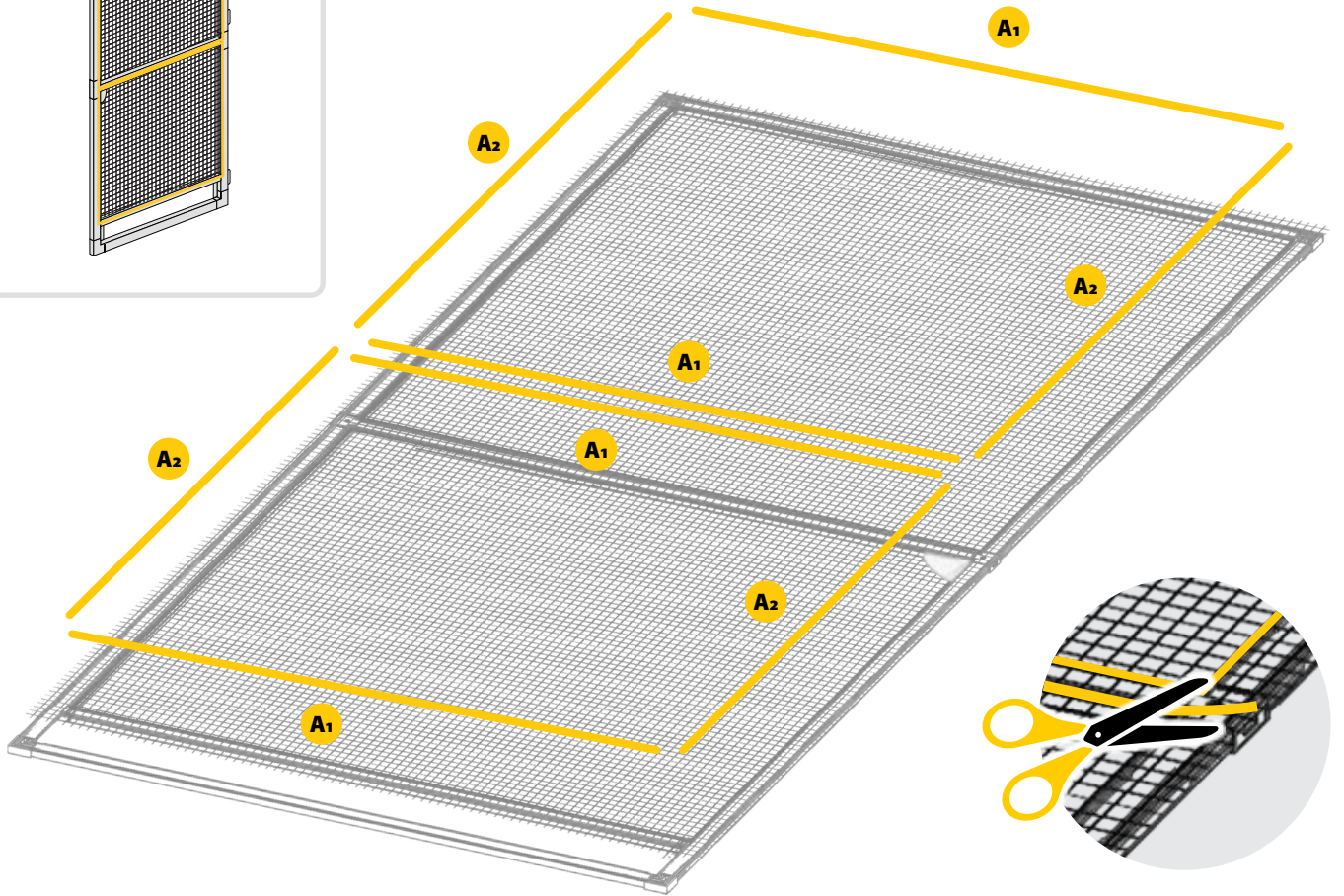
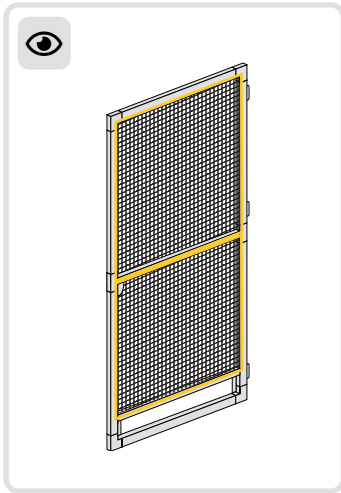


18 OPT 2

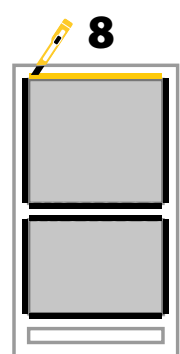
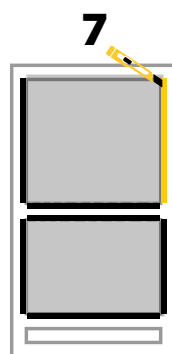
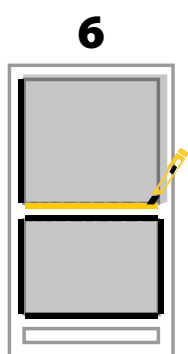
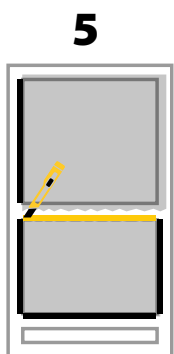
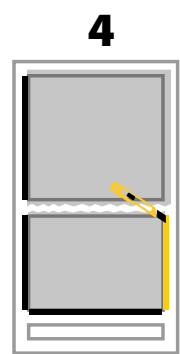
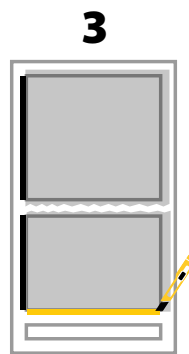
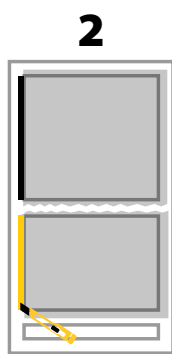
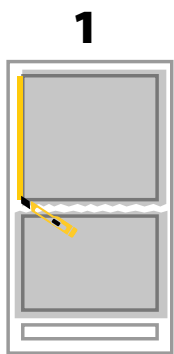
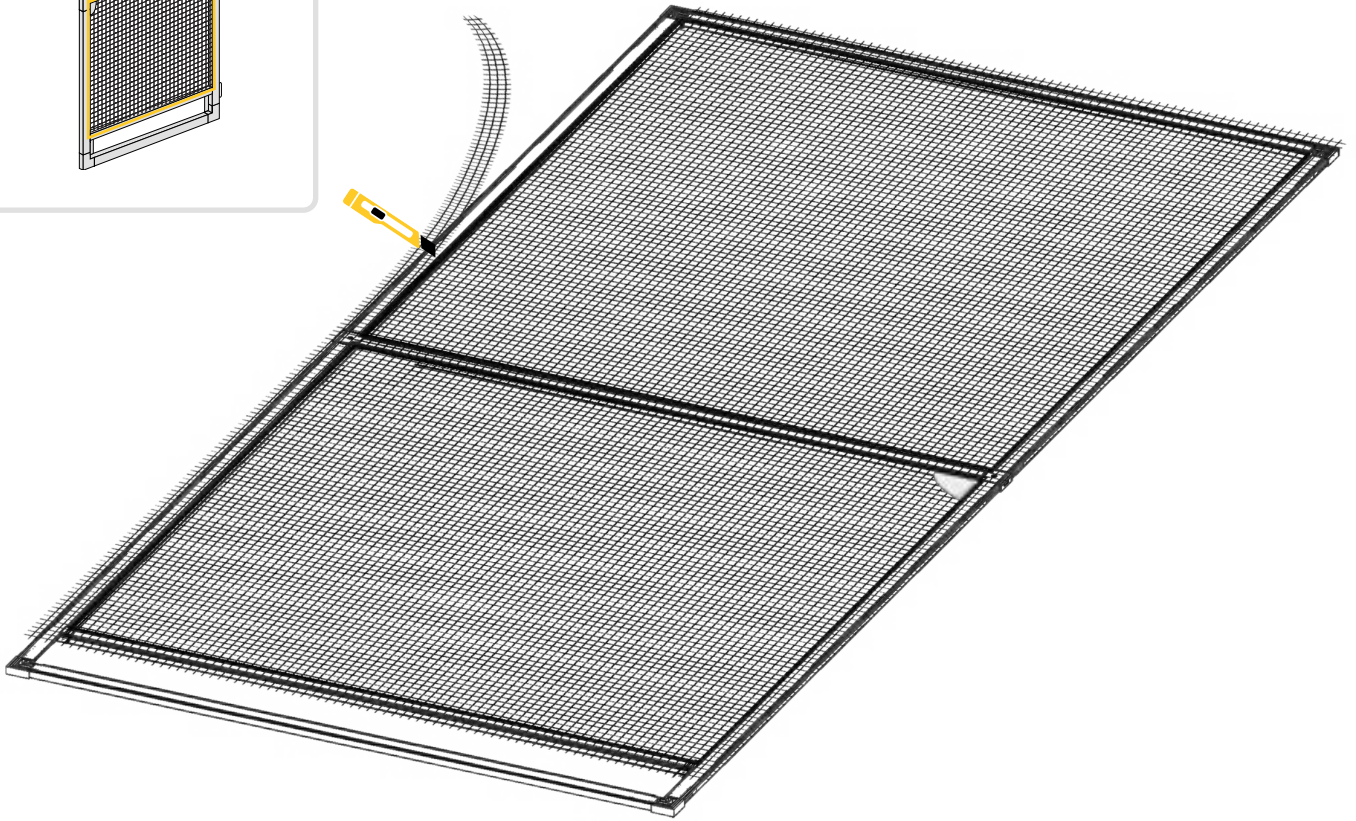
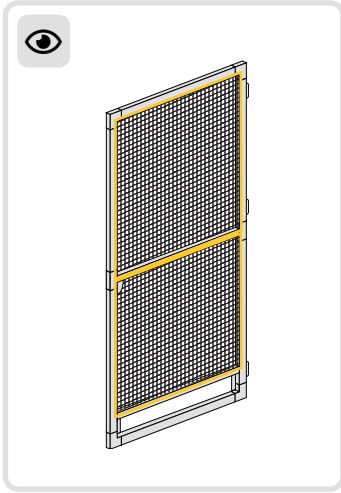


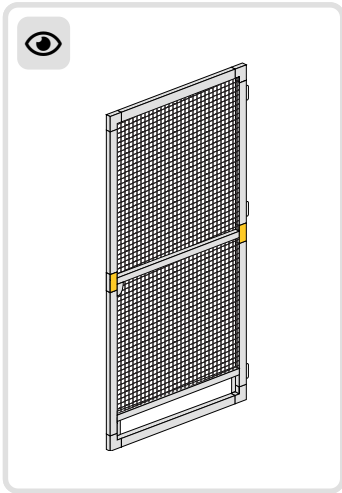
19 OPT 1



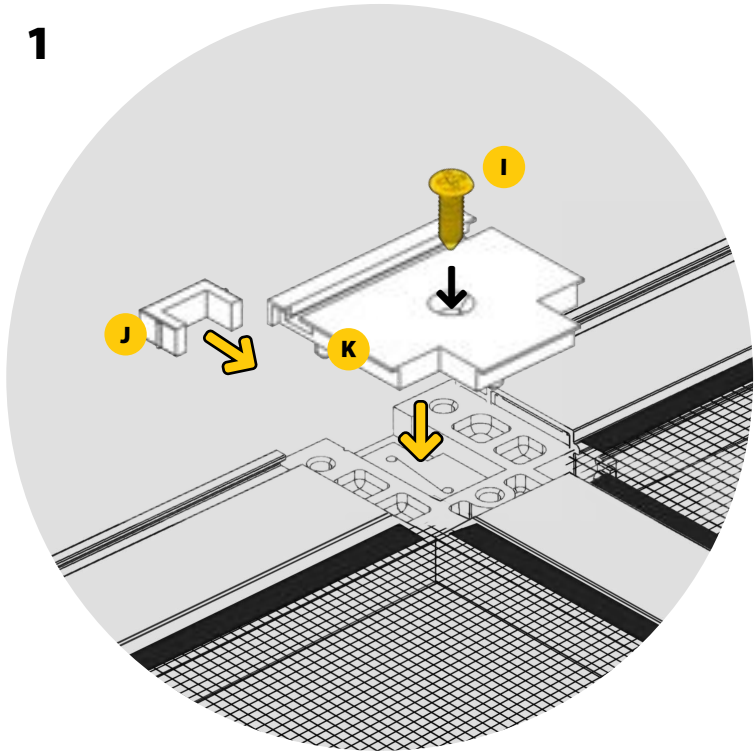




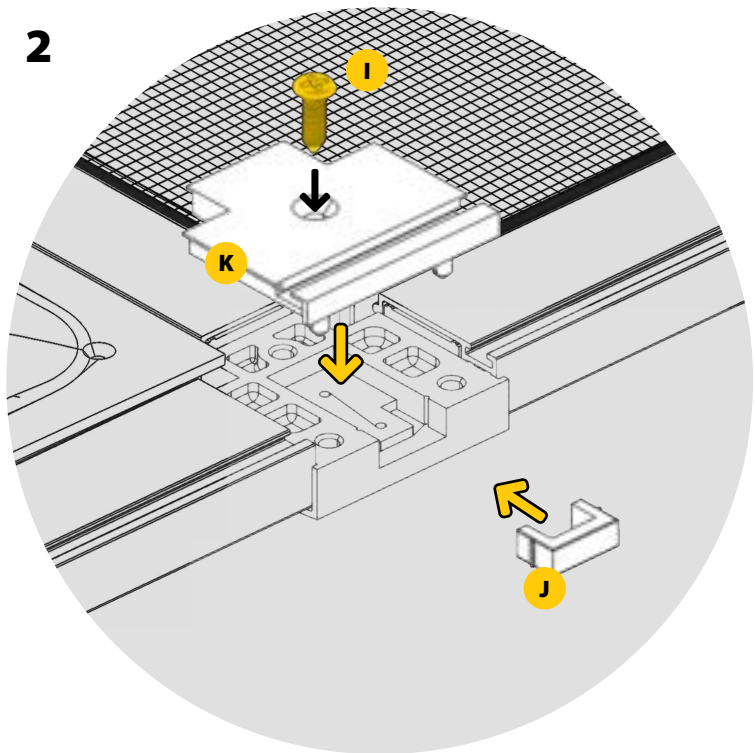




1

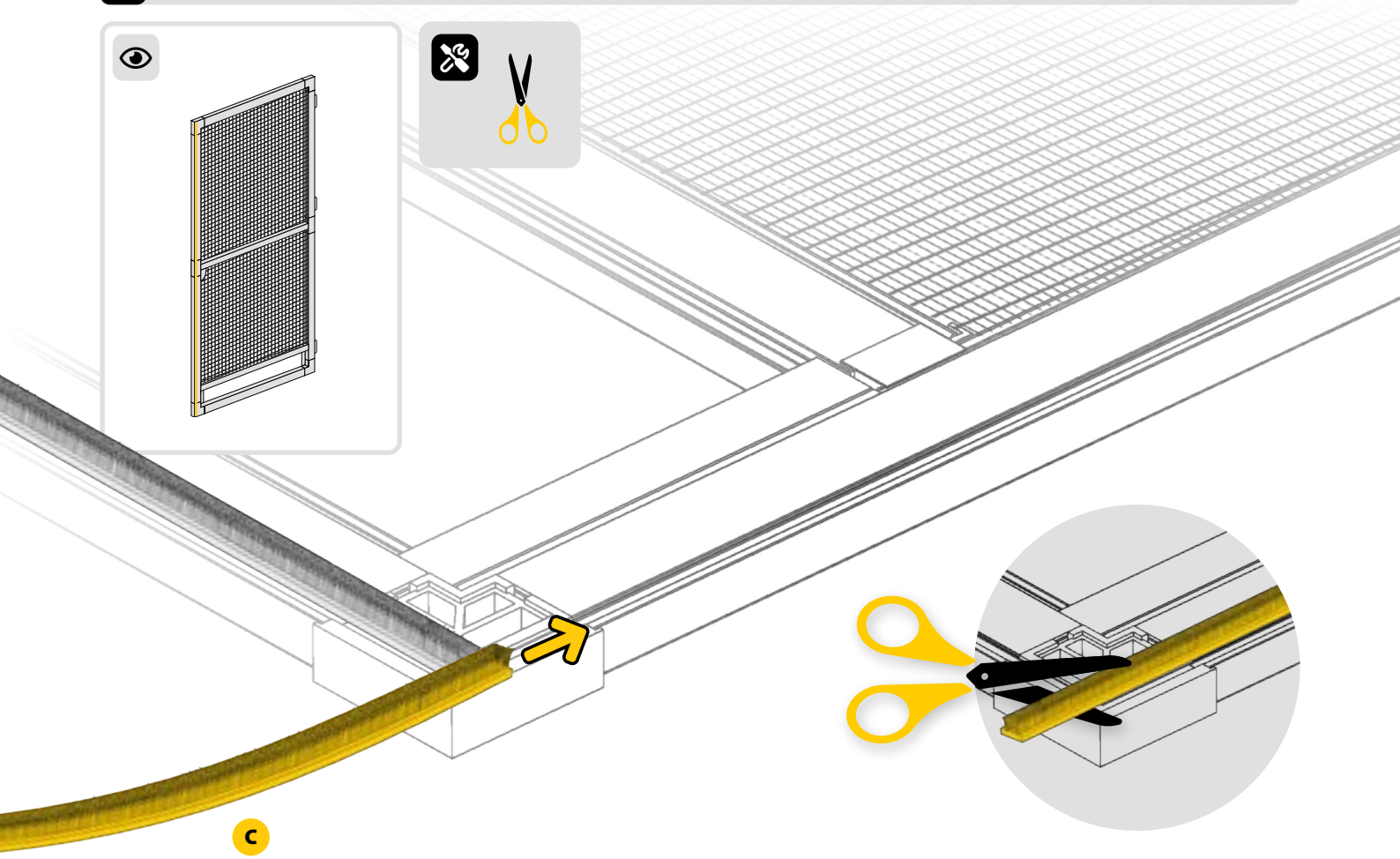
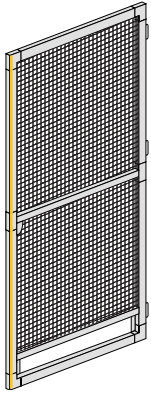


2

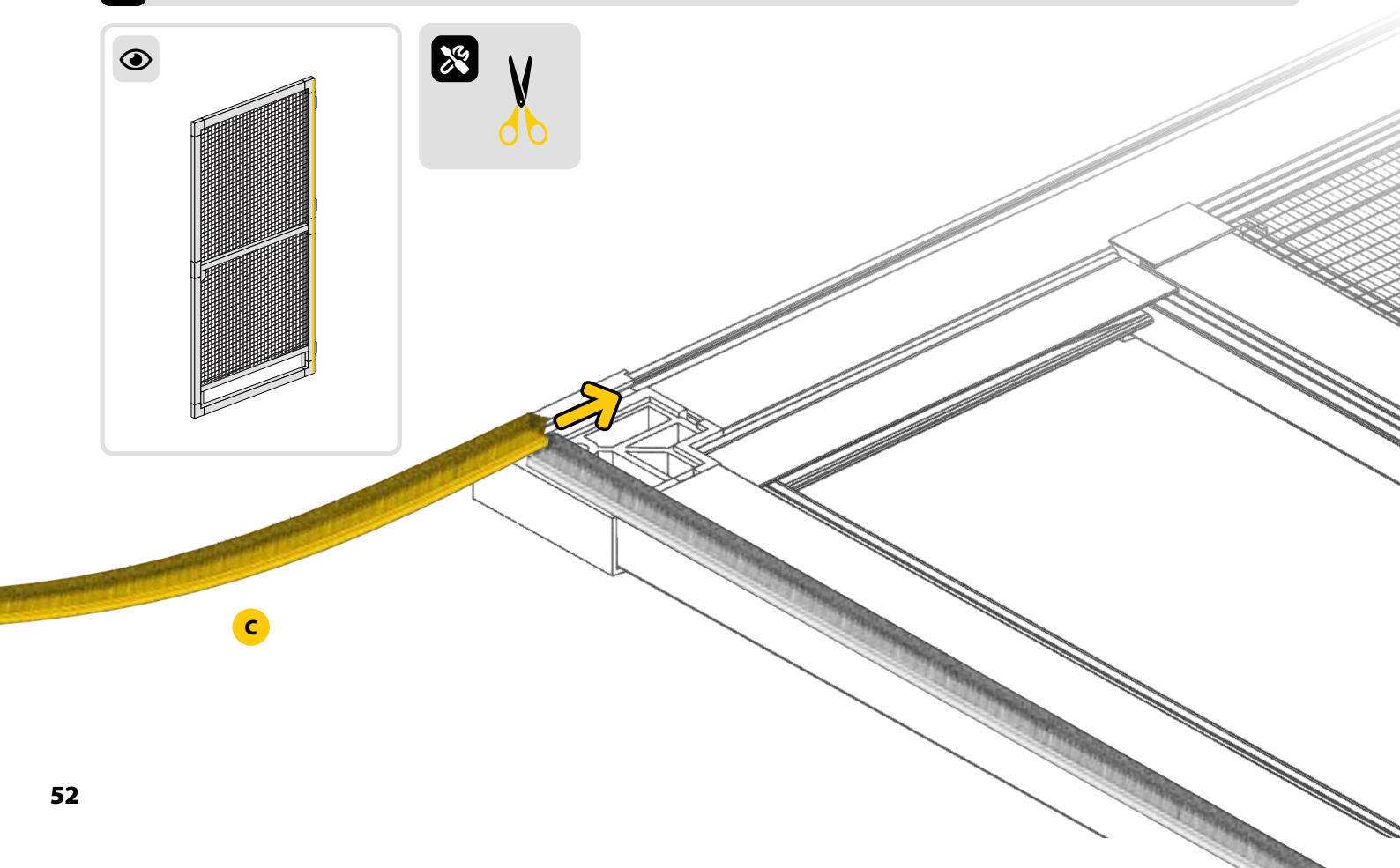
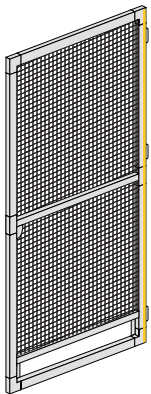


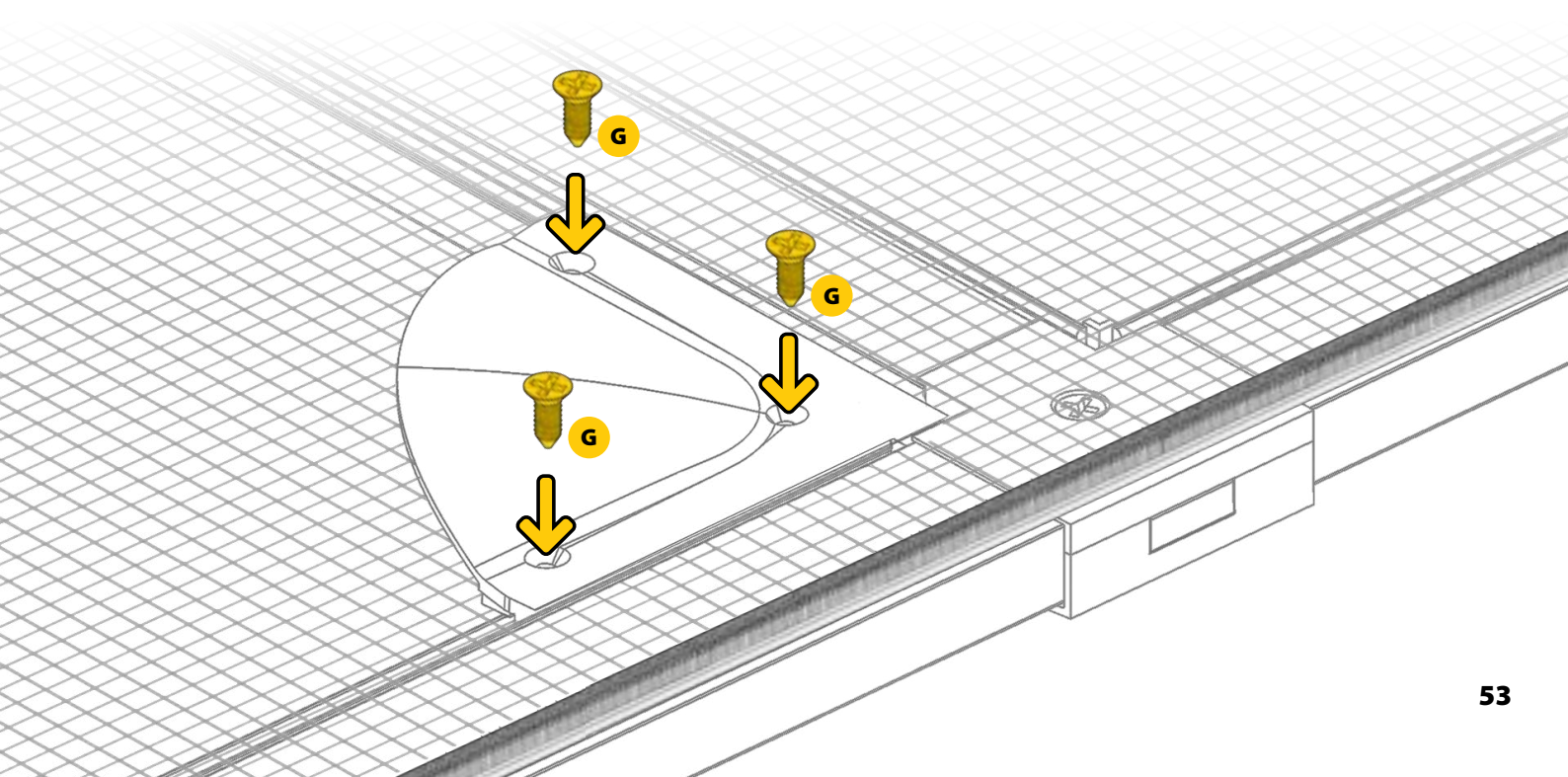
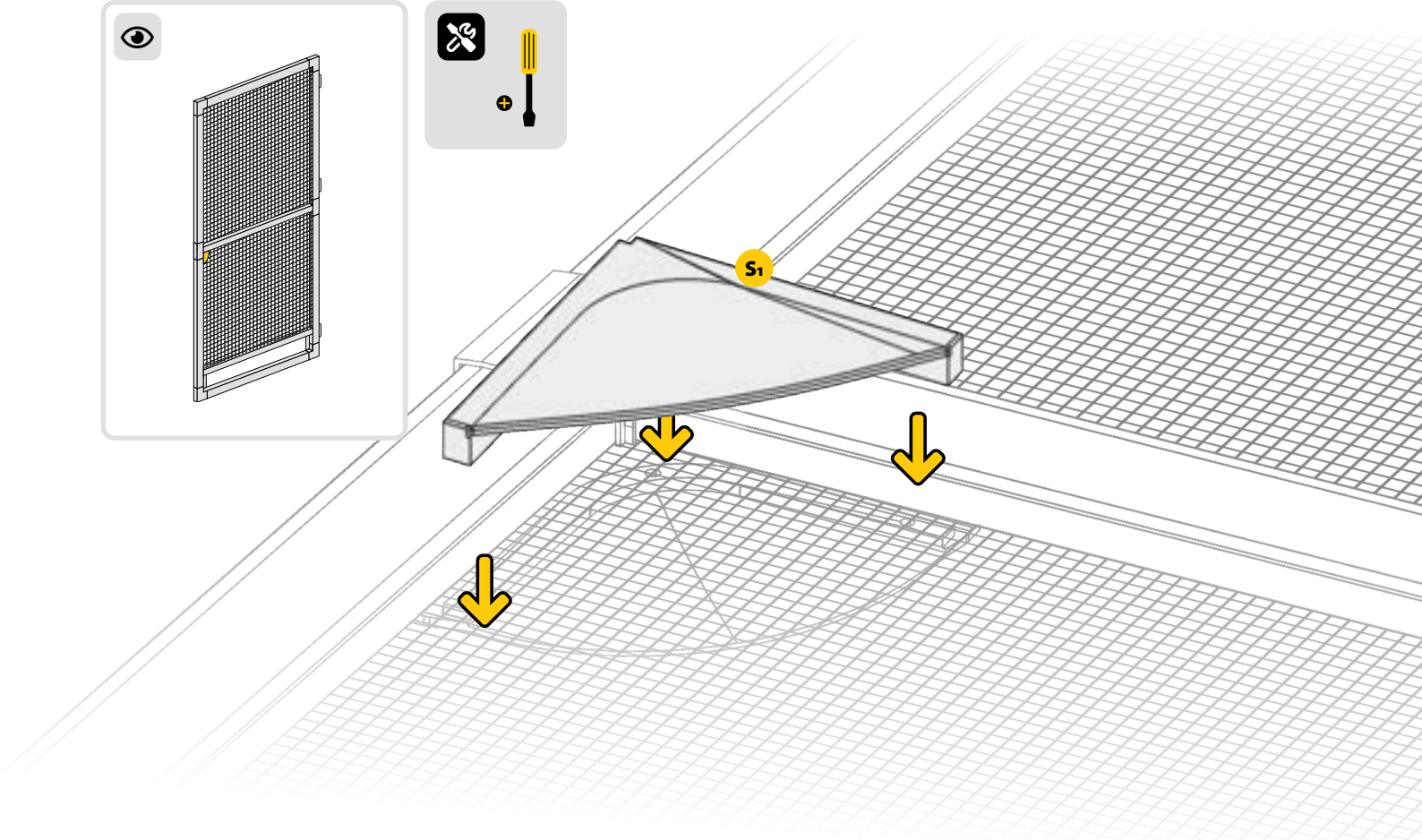
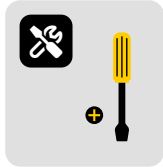
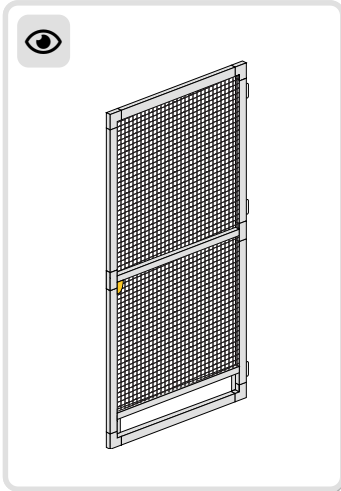


23 OPT 2

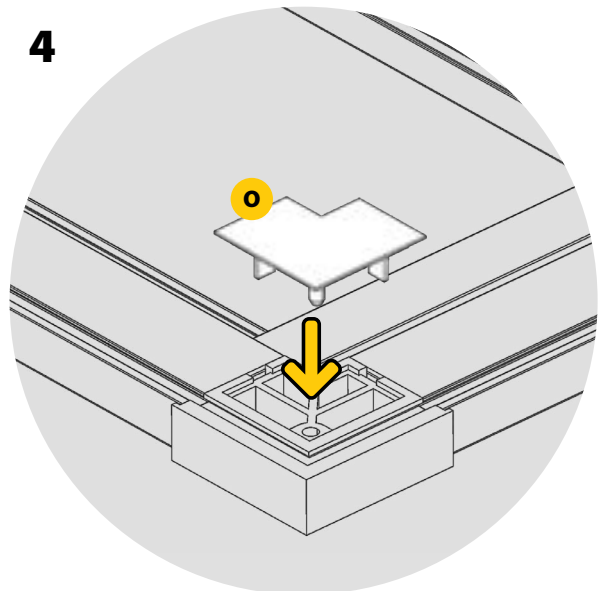
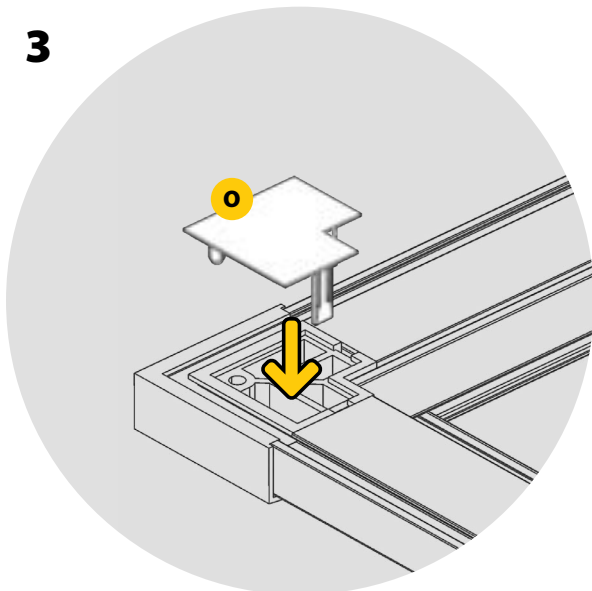
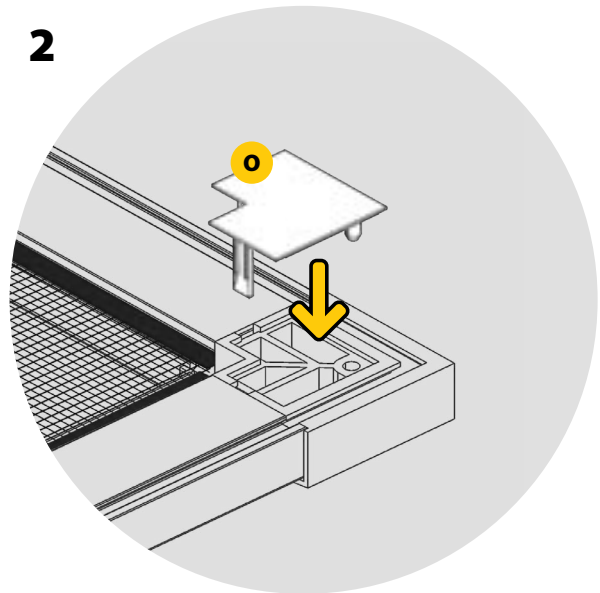
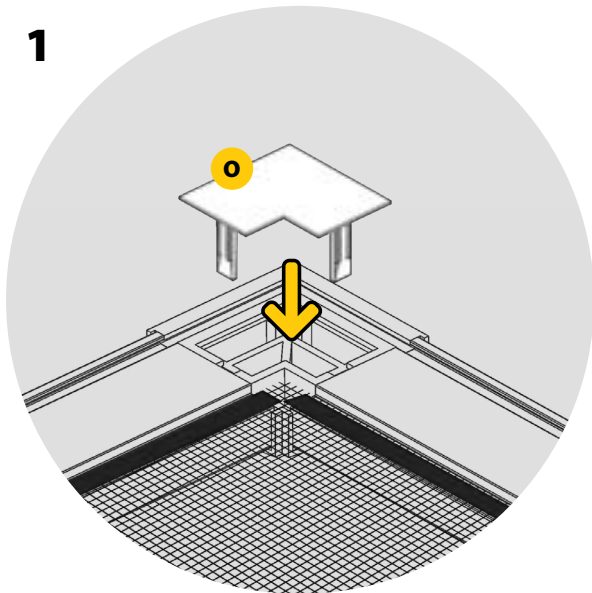
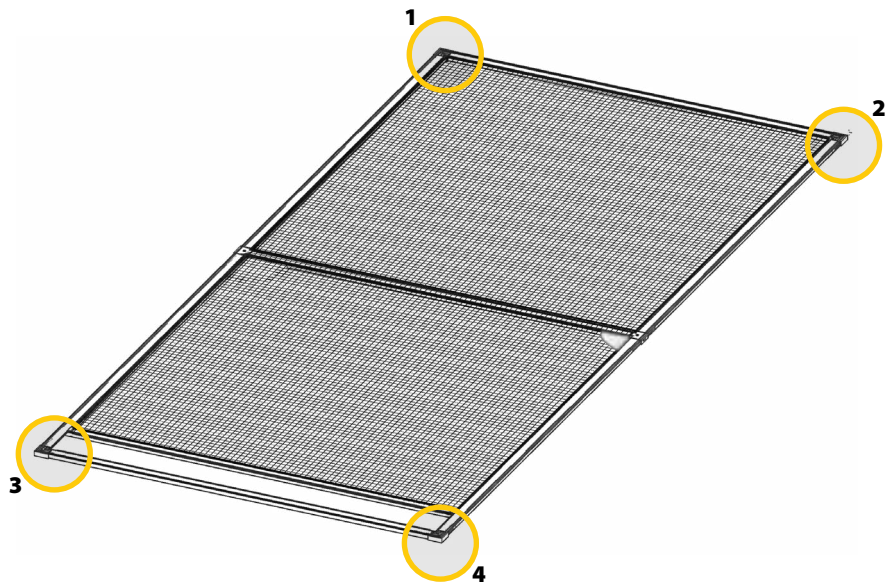
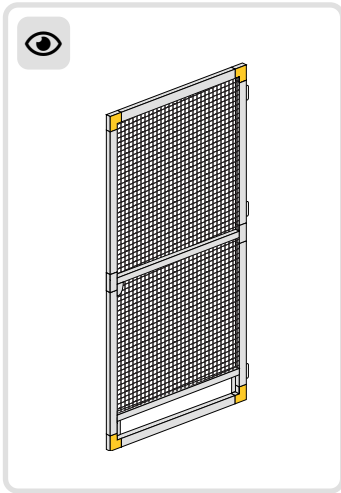


24 OPT 2

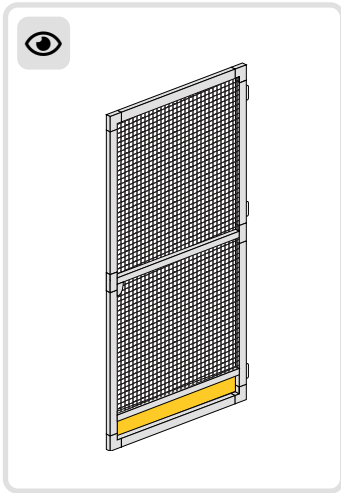




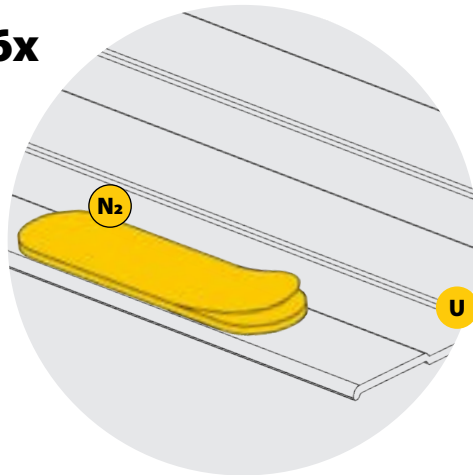




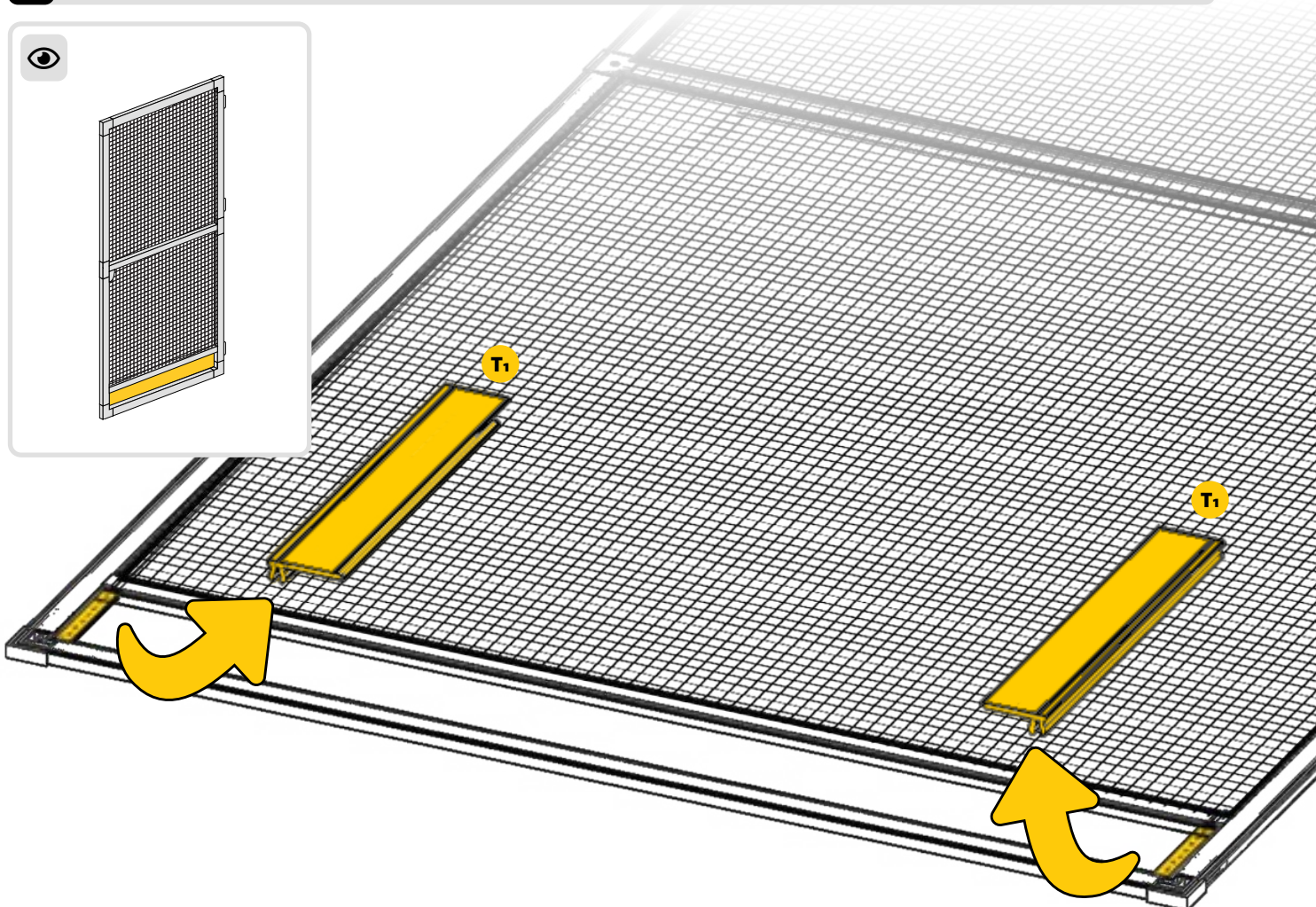
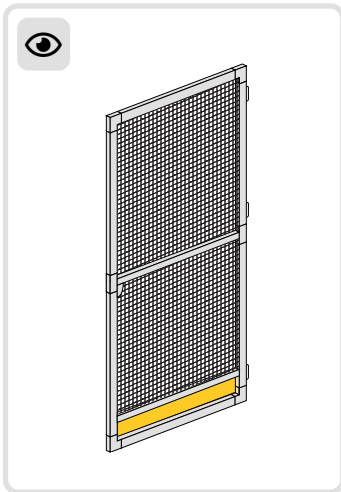
27 OPT 2



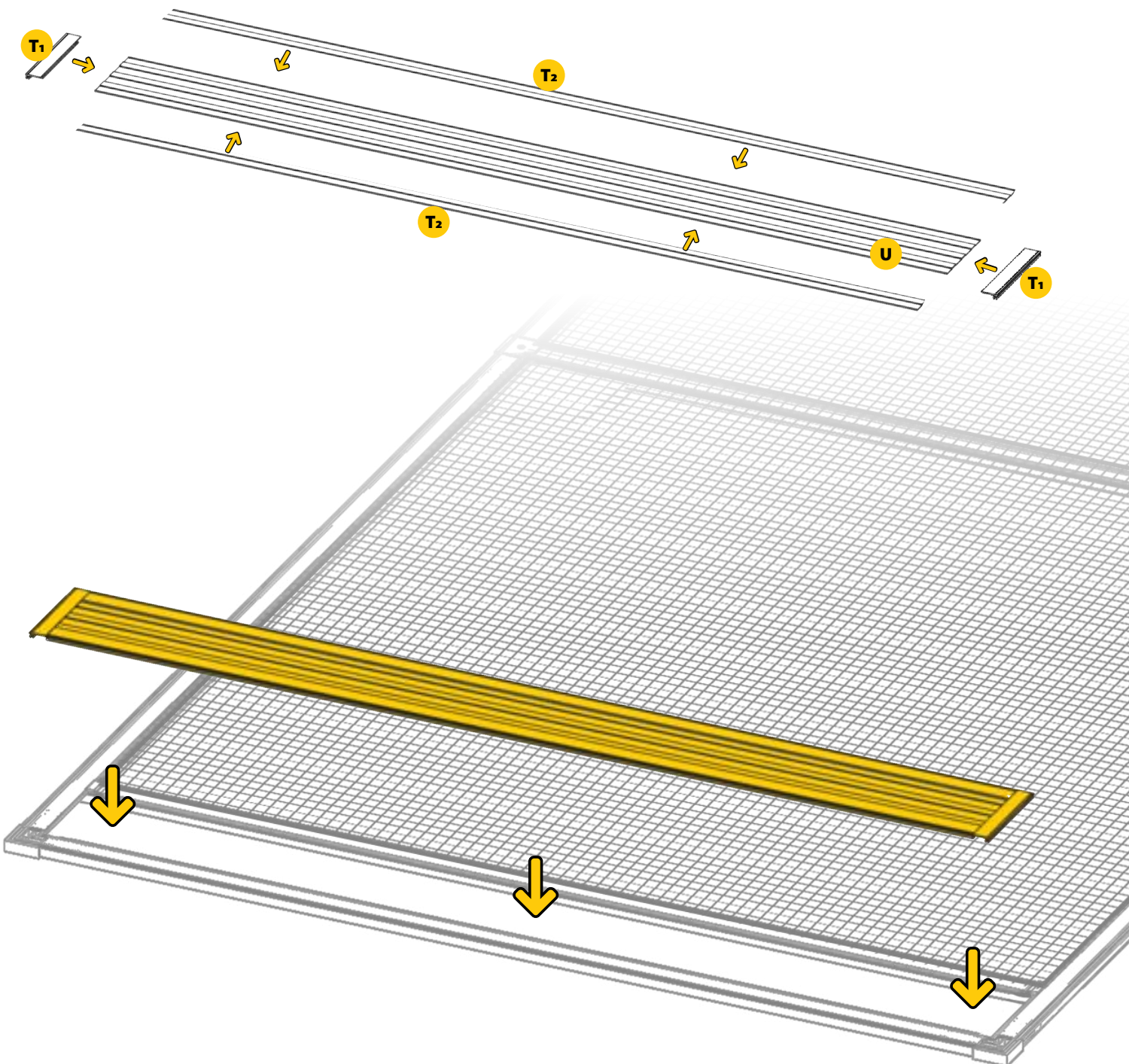
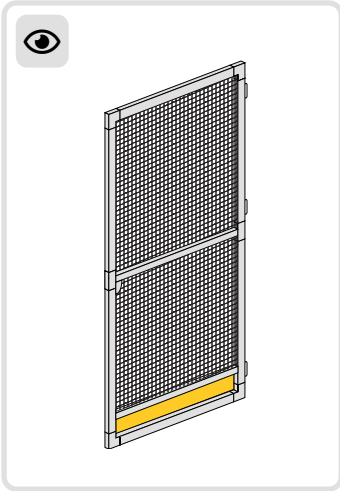
6x



28 OPT 2

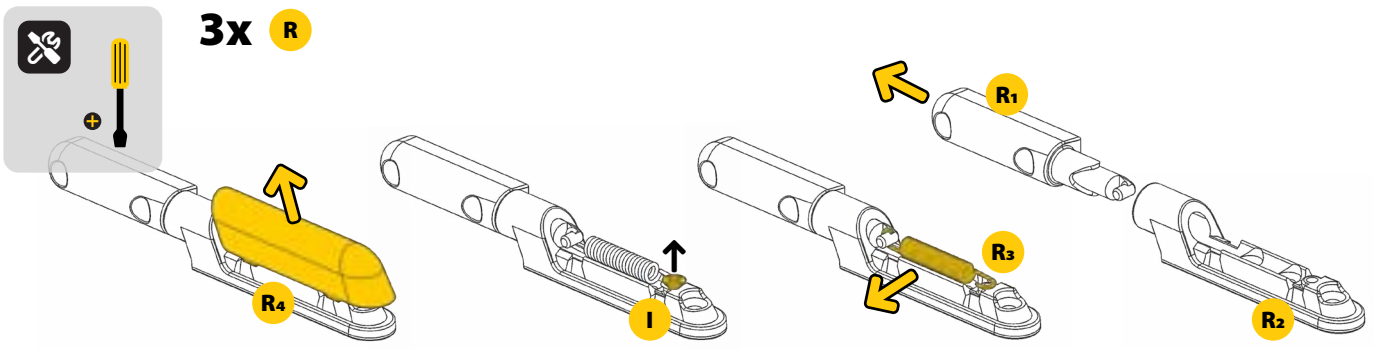




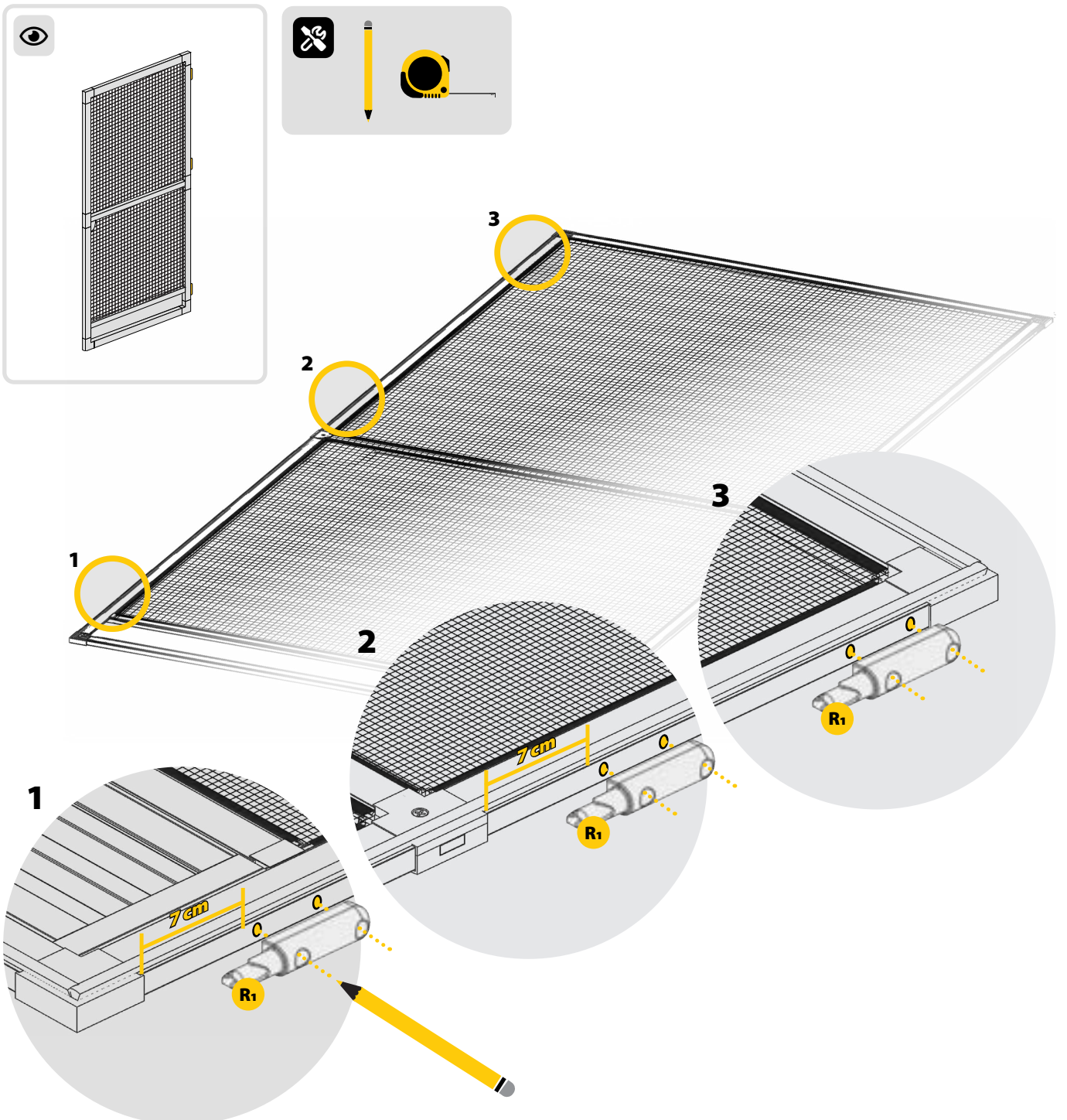


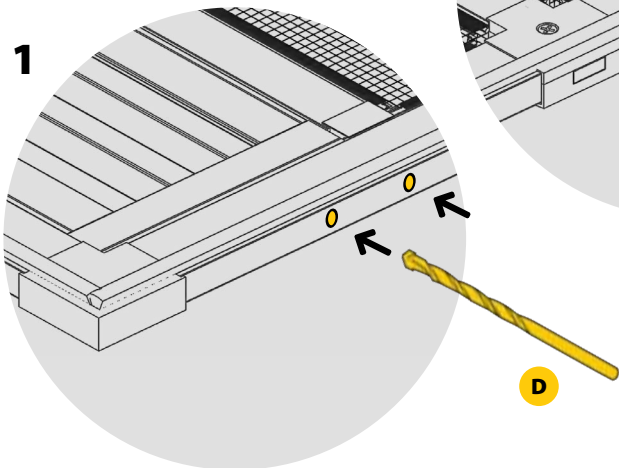
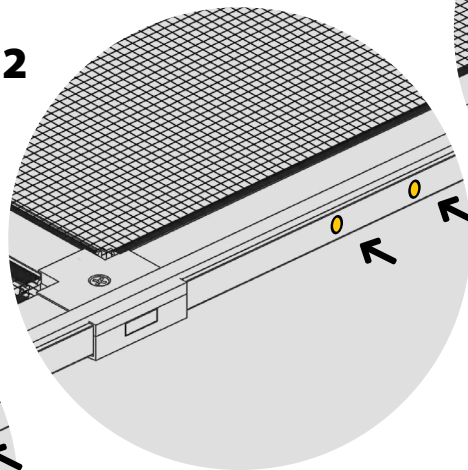
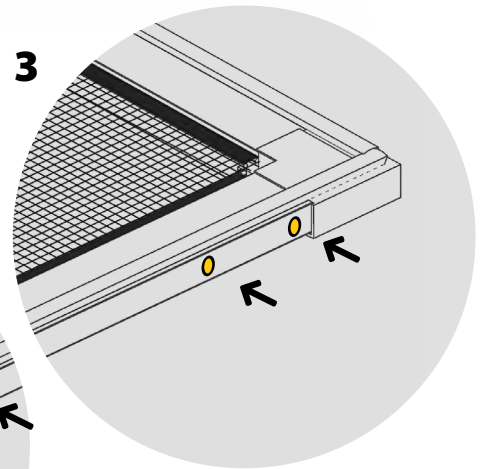
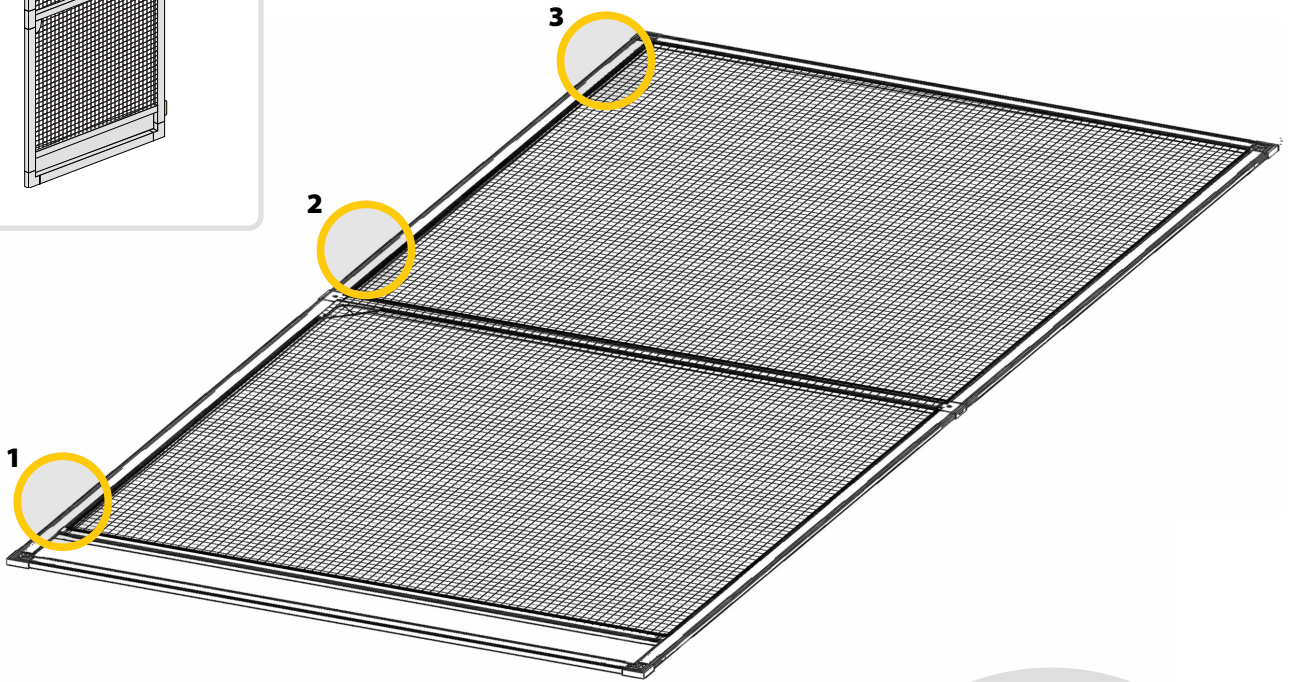
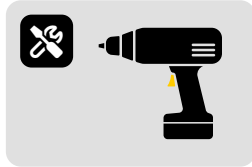
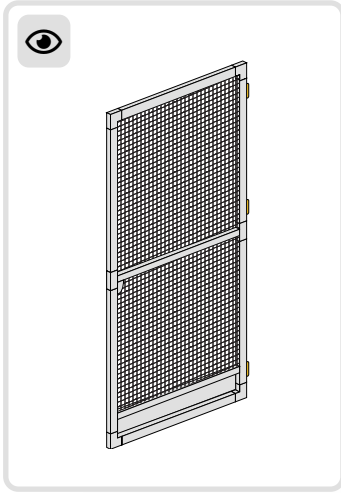


30 OPT 1

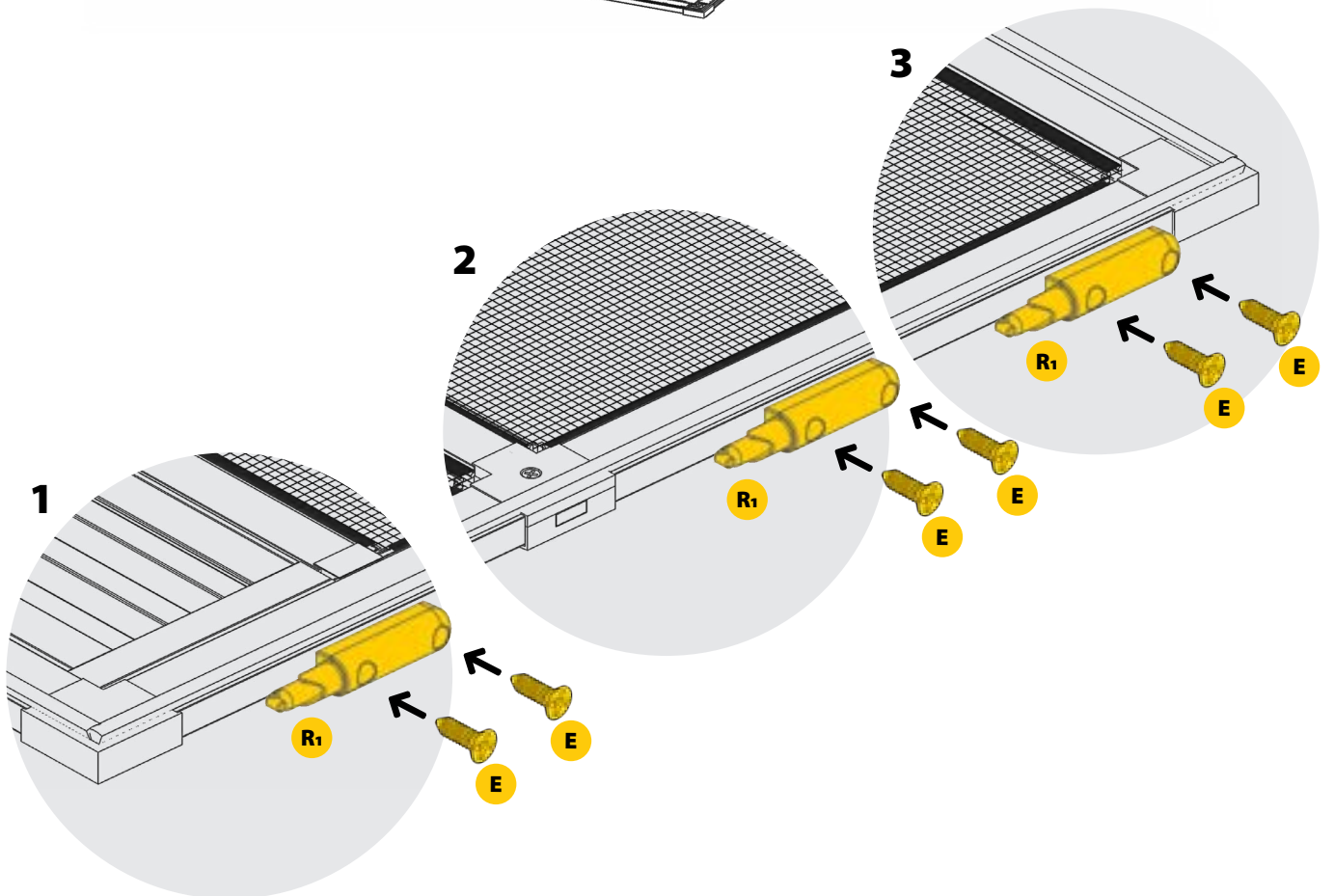
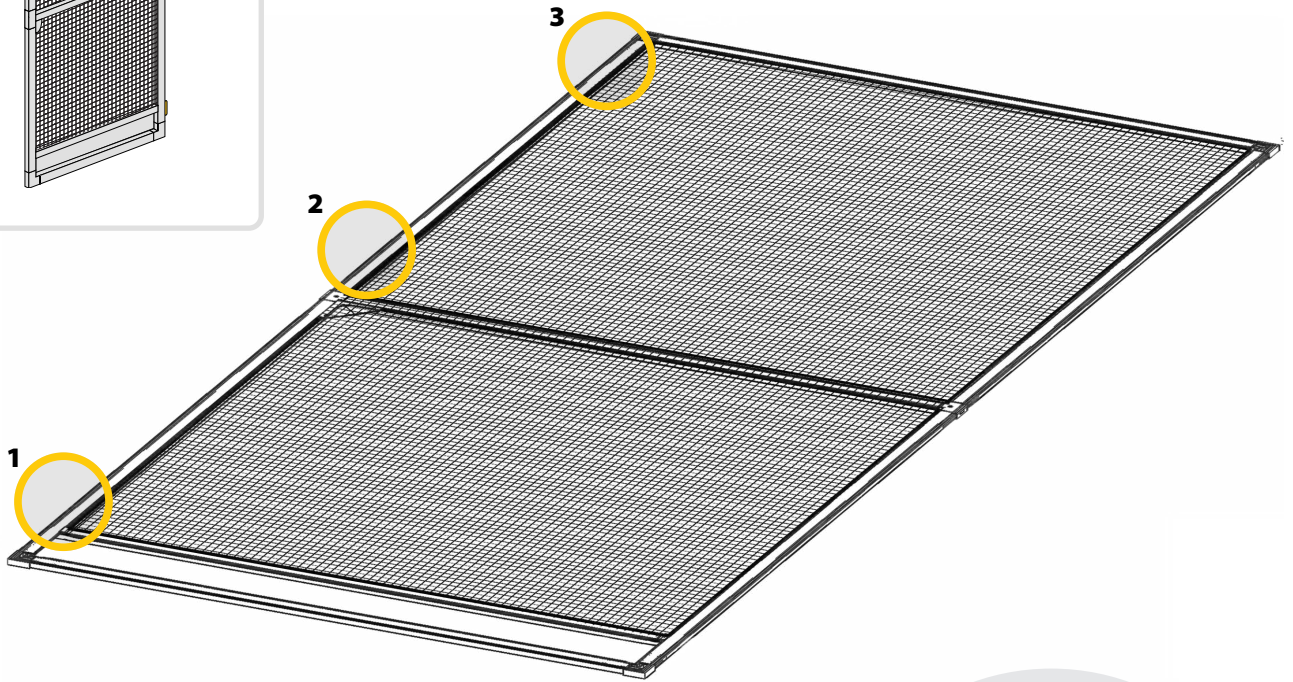
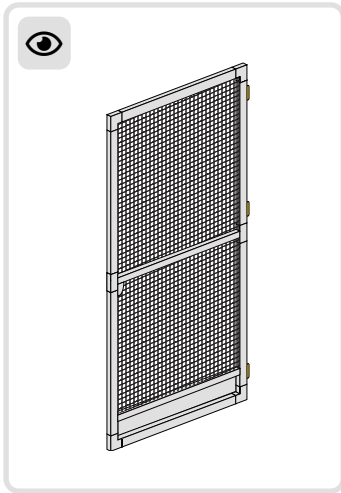


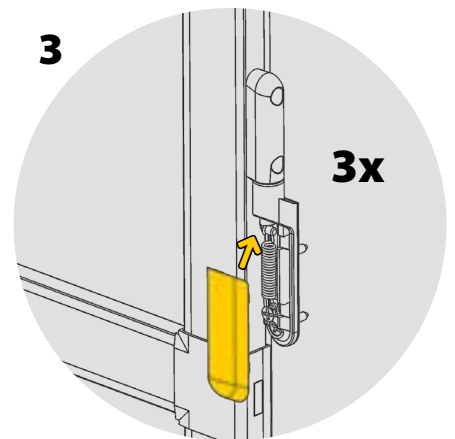
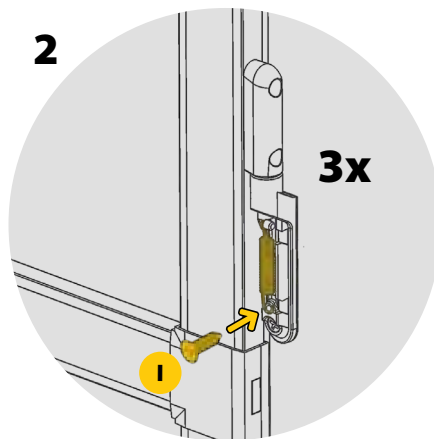
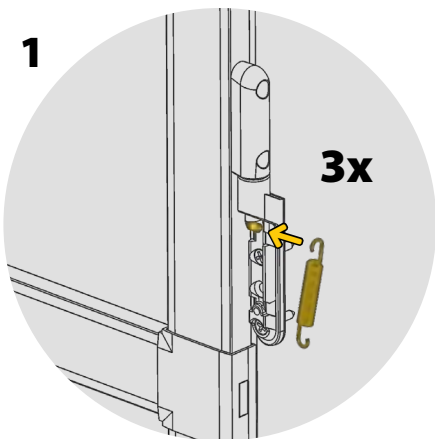
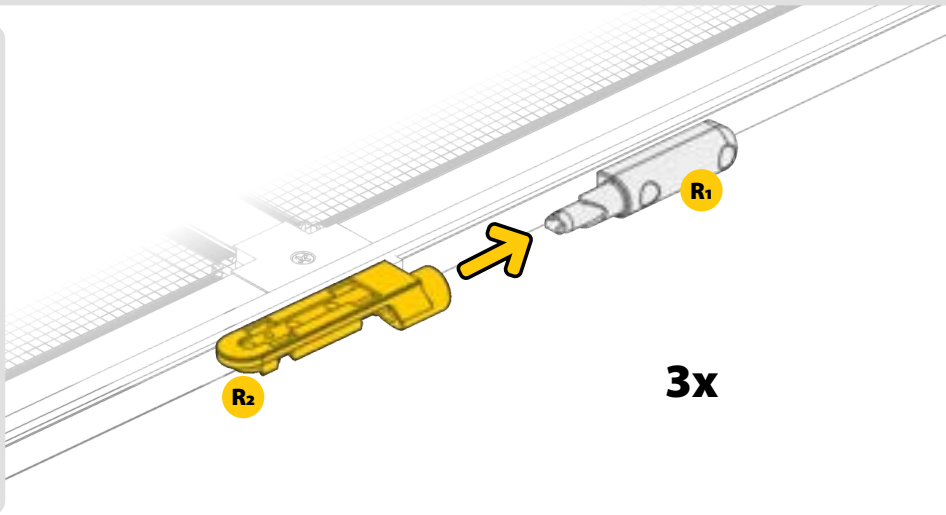
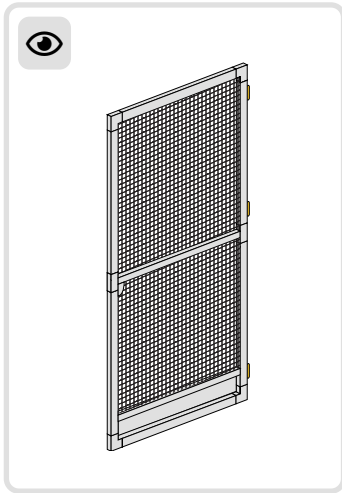
30 OPT 2

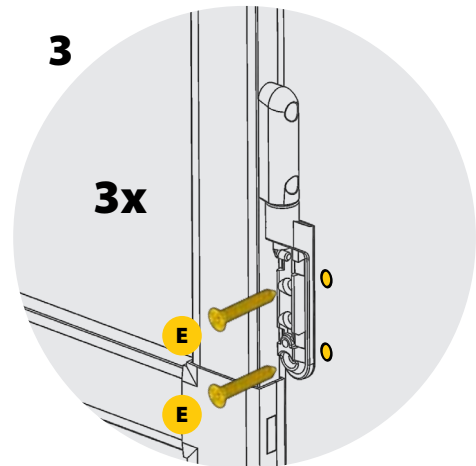
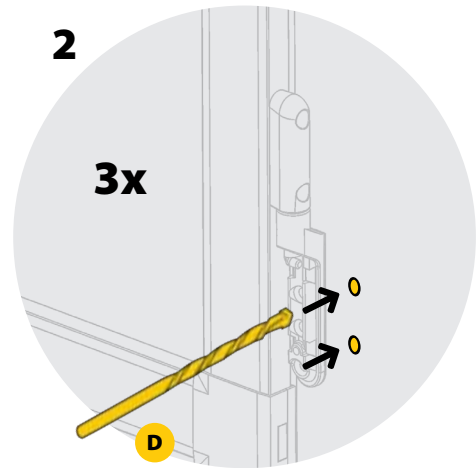
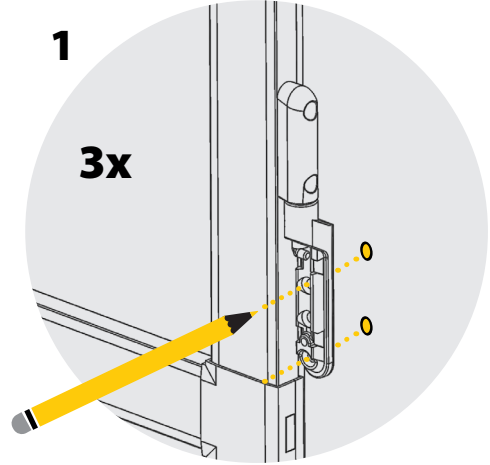
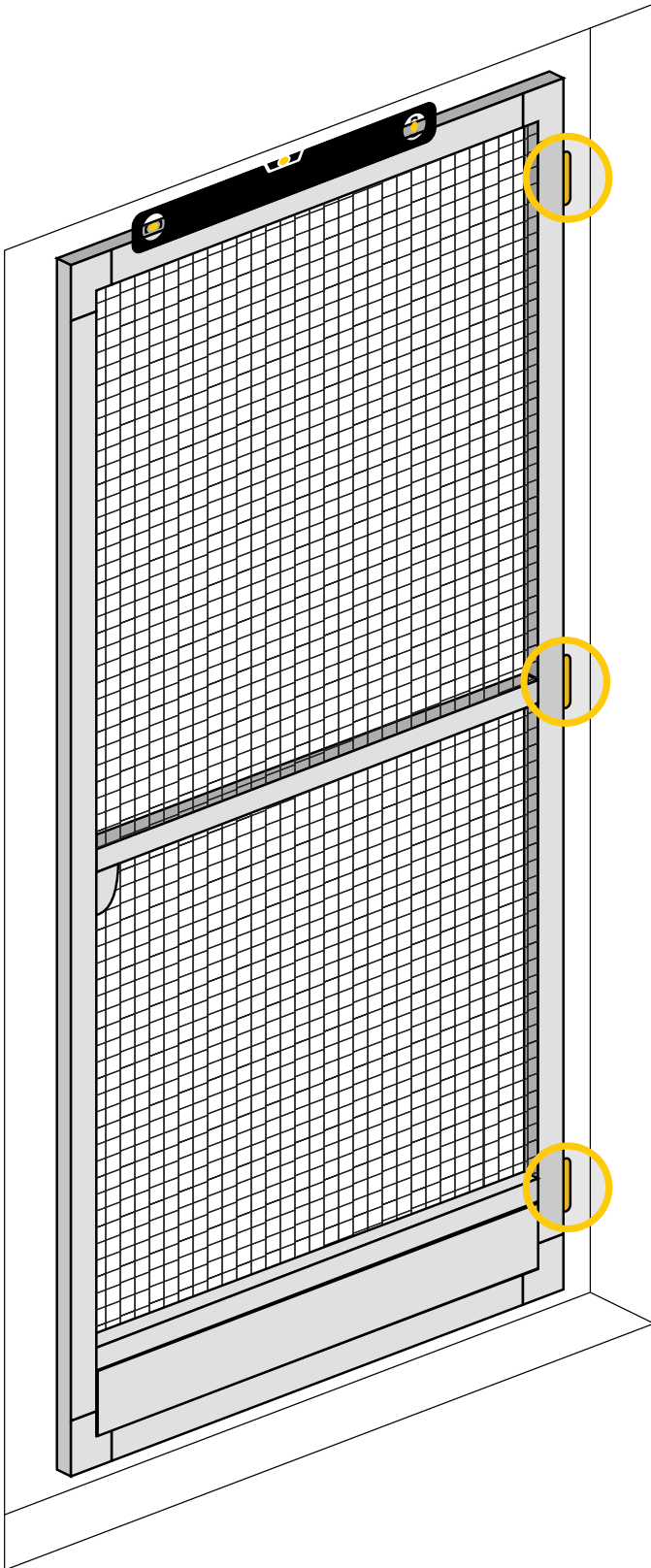






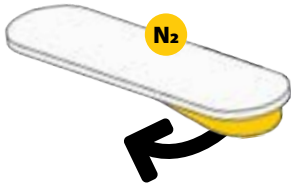




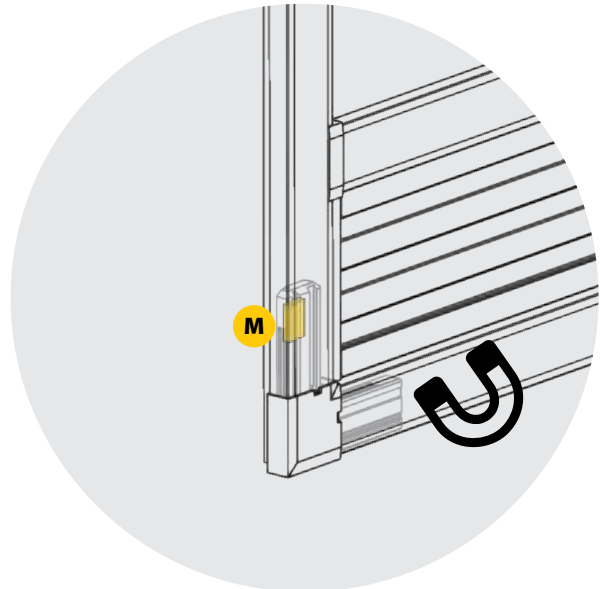
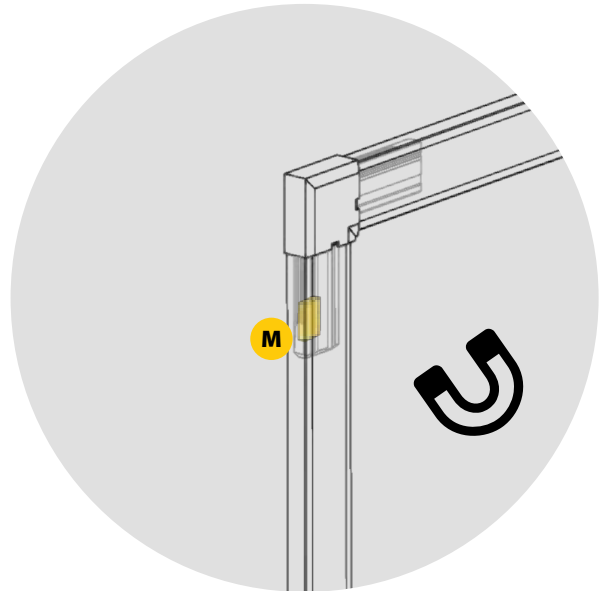
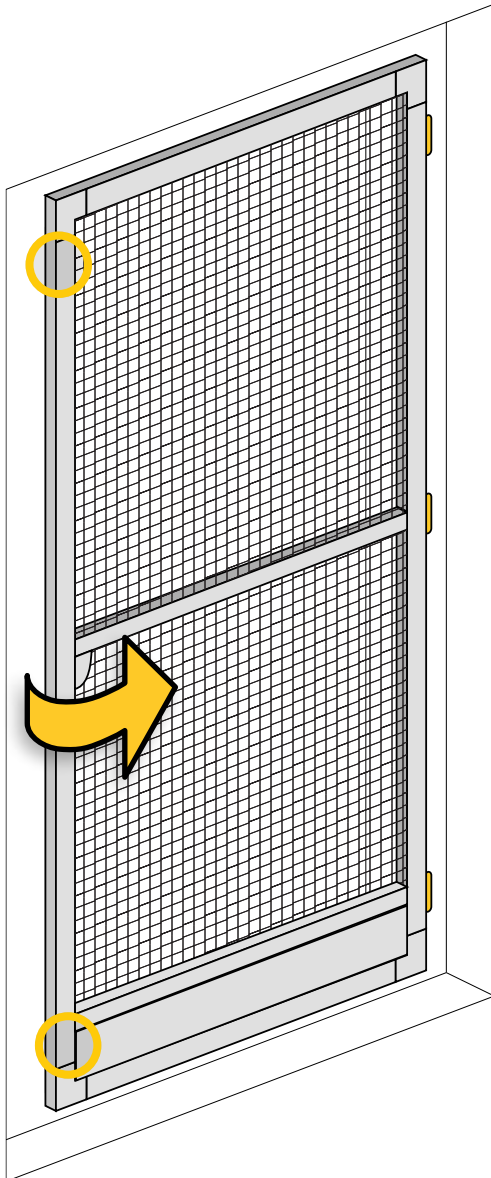
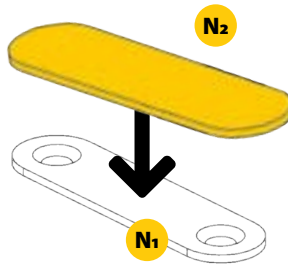




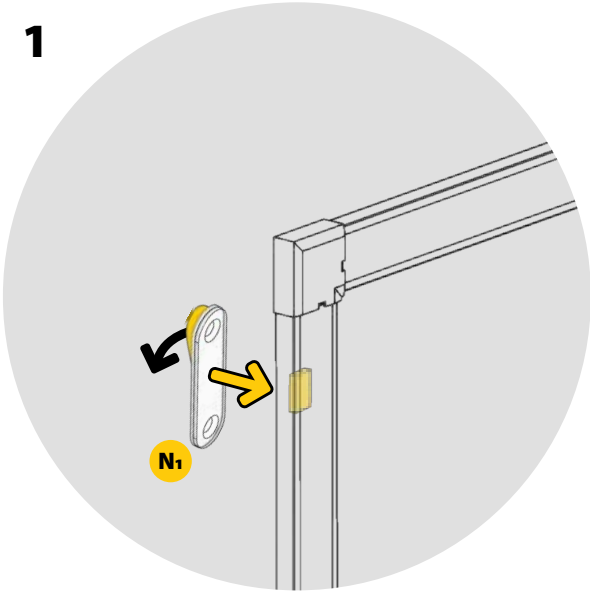
1



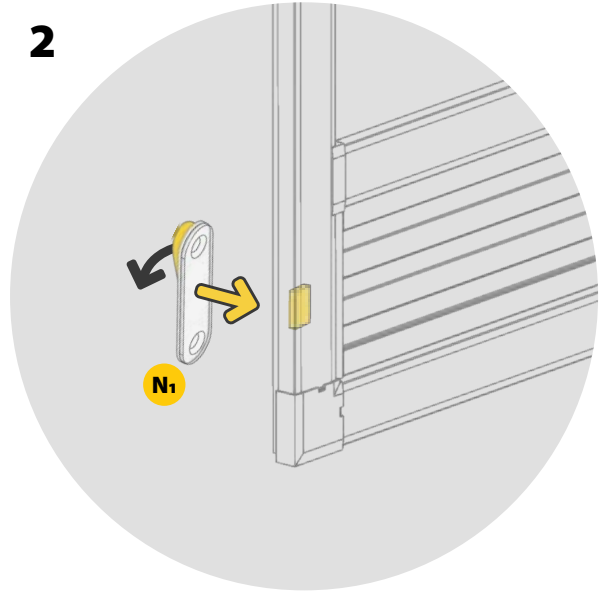
2



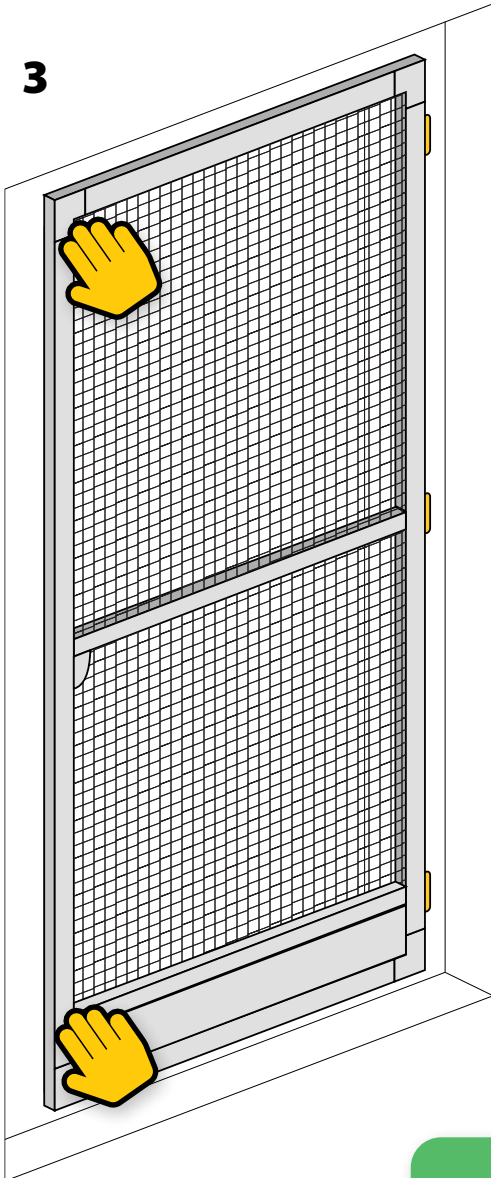
1



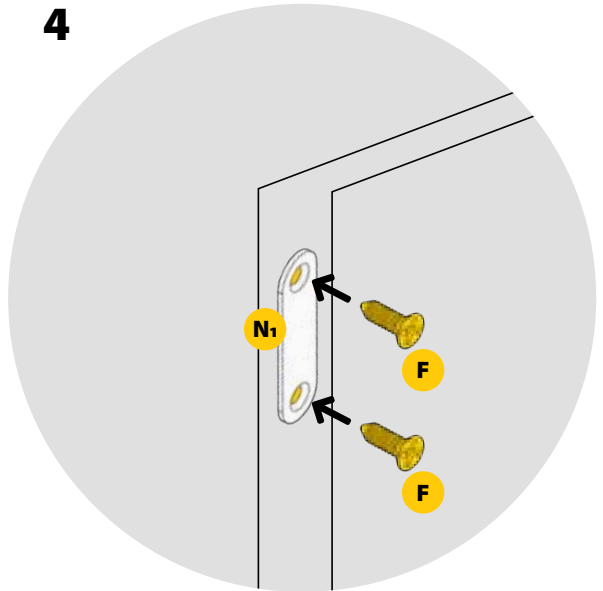
2



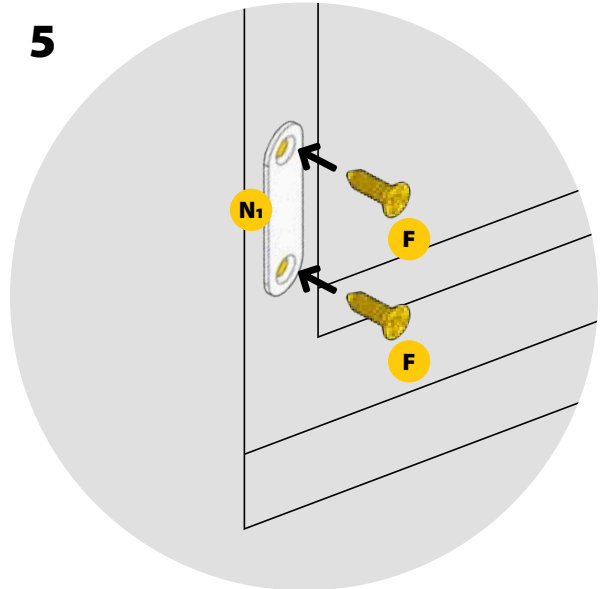
3



4



5





**Service**

Mo-Fr 7.30 Uhr - 18.30 Uhr  
Tel +49 (0) 271 89 0 56 - 444  
Fax +49 (0) 271 89 0 56 - 398

**Alfred Schellenberg GmbH**

An den Weiden 31  
D-57078 Siegen  
[service.int@schellenberg.de](mailto:service.int@schellenberg.de)  
[www.schellenberg.de](http://www.schellenberg.de)