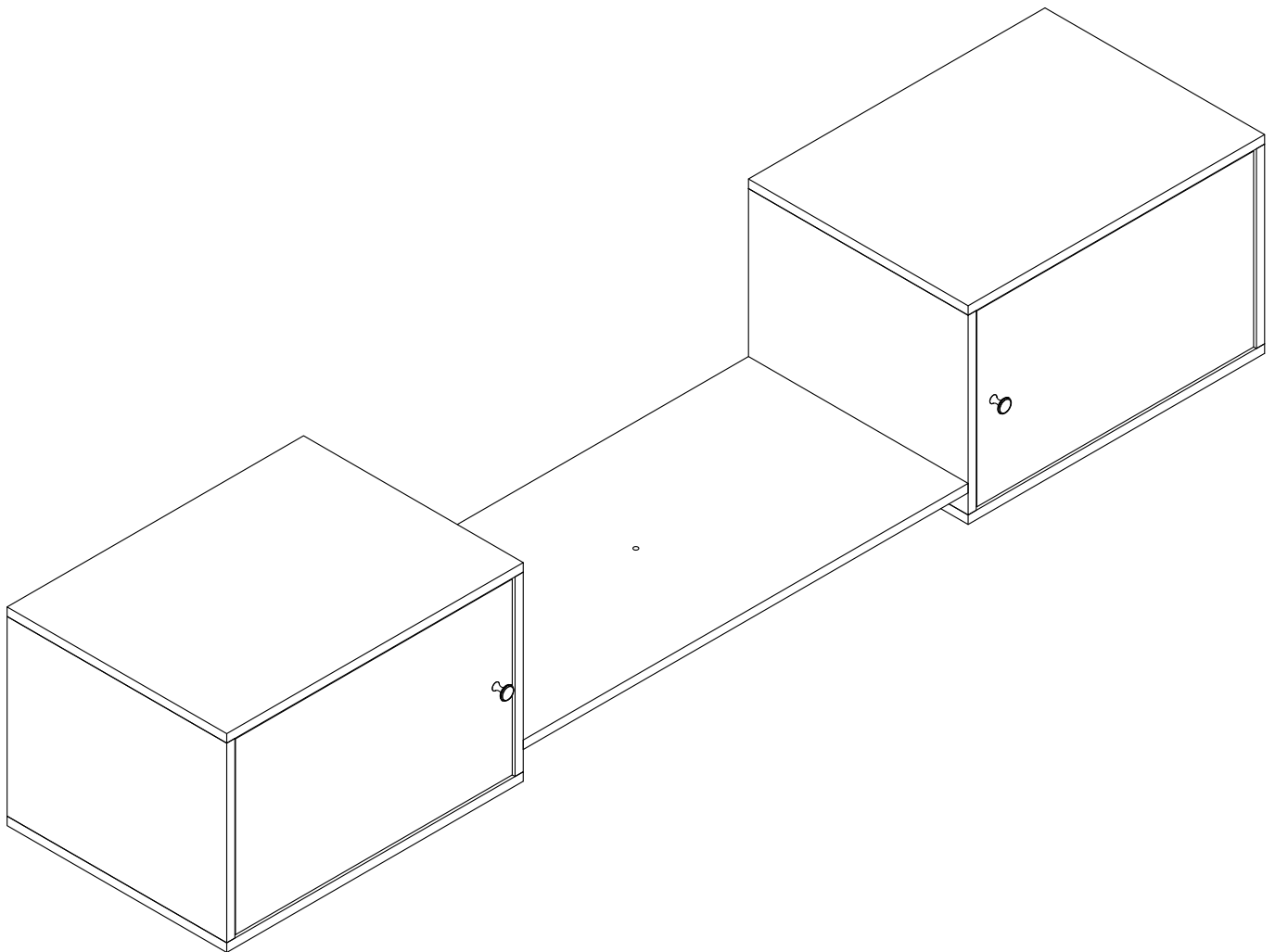


# MONTAGEANLEITUNG

Artike lnummer: WF314089

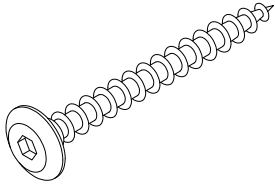
**Schuhschrank Weiß 189.5×40cm**



# Hardware

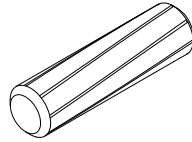
## Part List : WF314089

D x 1



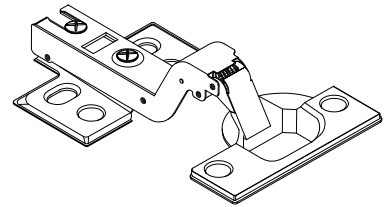
M6x50

H x 12

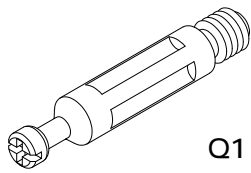


Φ8x30

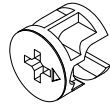
P x 4



Q x 16



Q1



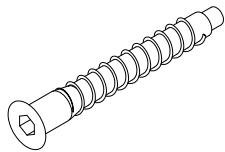
Q2

R x 28



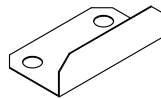
Φ3x12

S x 4

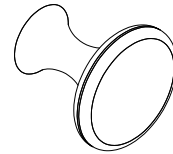


M5x38

T x 2



W x 2

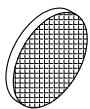


W1



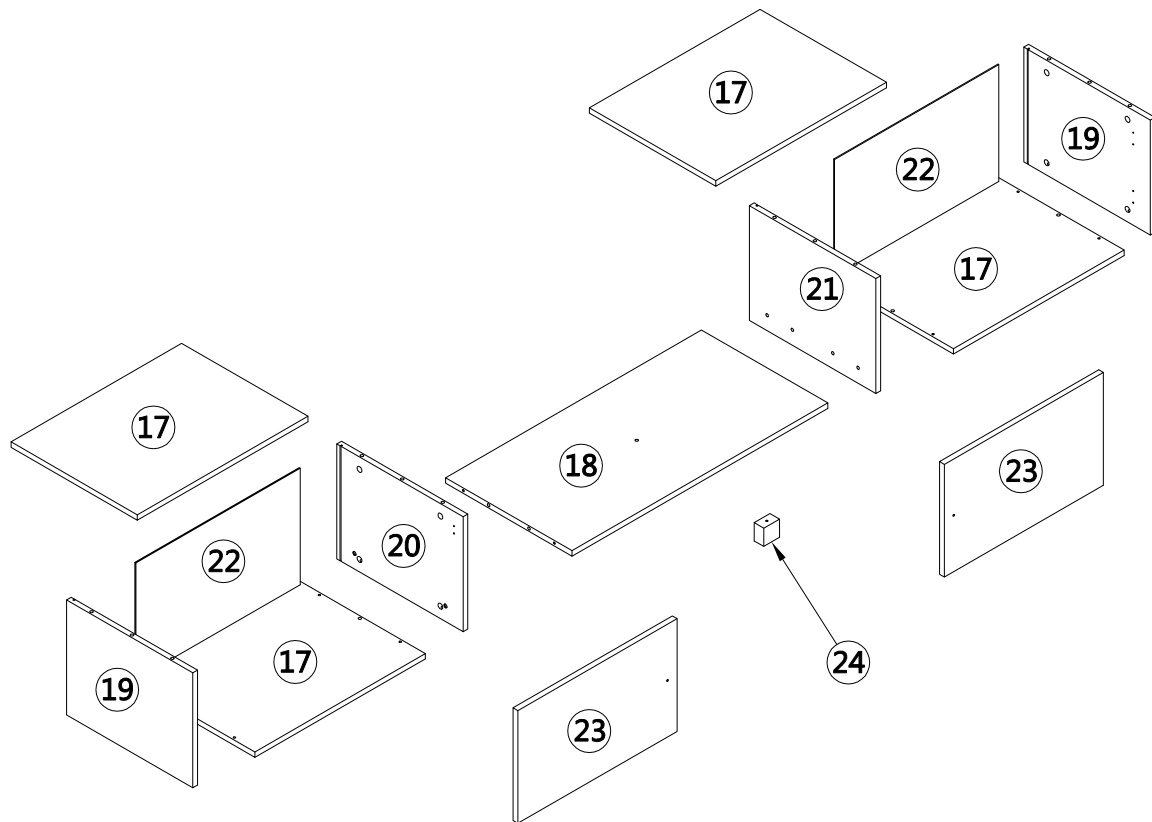
W2

V x 8



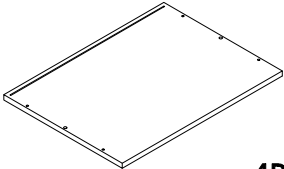
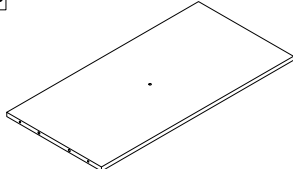
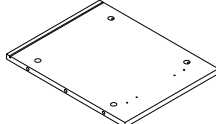
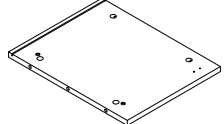
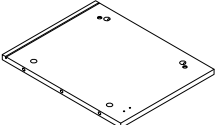
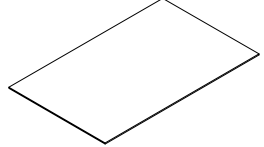
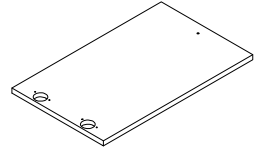

Φ30

# ASSEMBLY INSTRUCTIONS

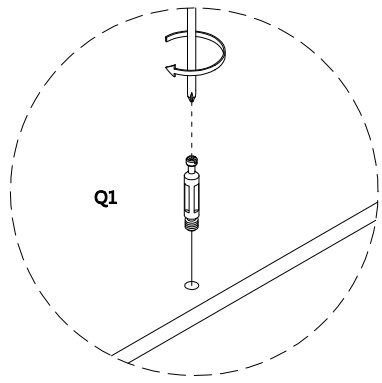
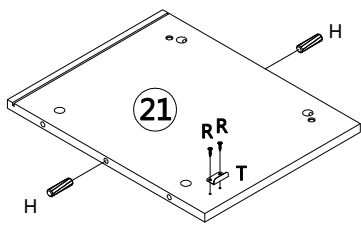
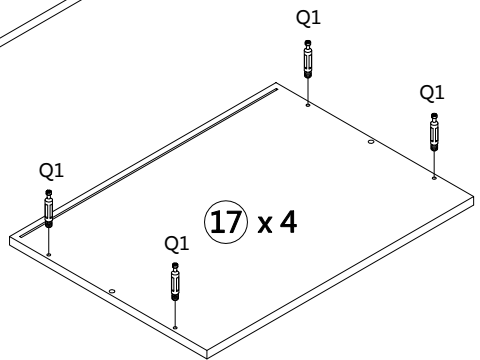
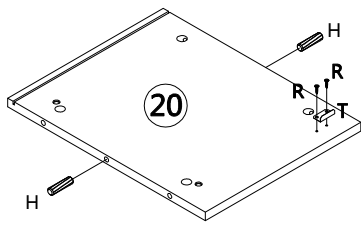
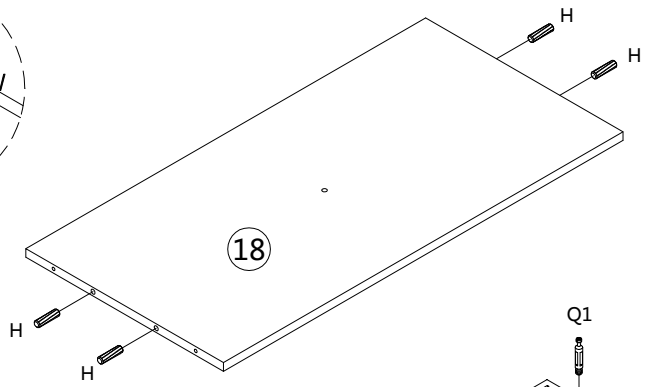
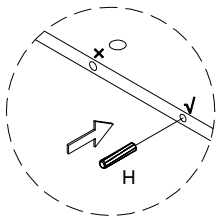
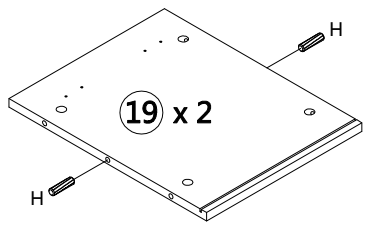


## Etagenbett

### Part List : WF314089

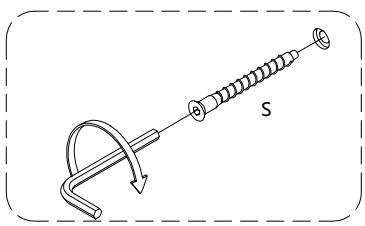
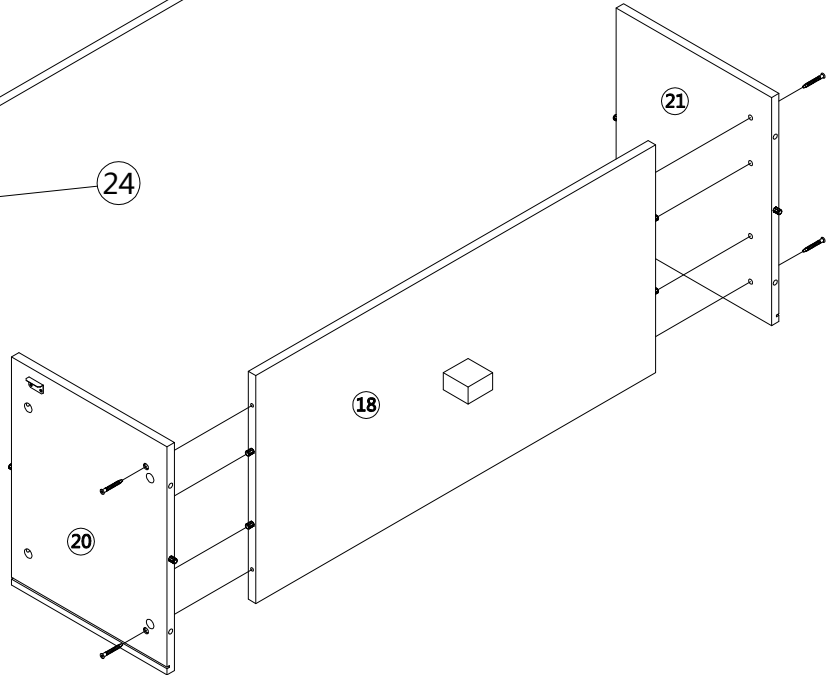
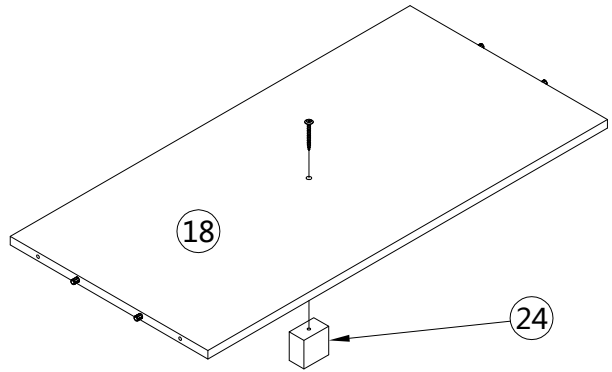
 4PCS	 1PC	 2PCS	 1PC
 1PC	 2PCS	 2PCS	 1PC

# STEP:1



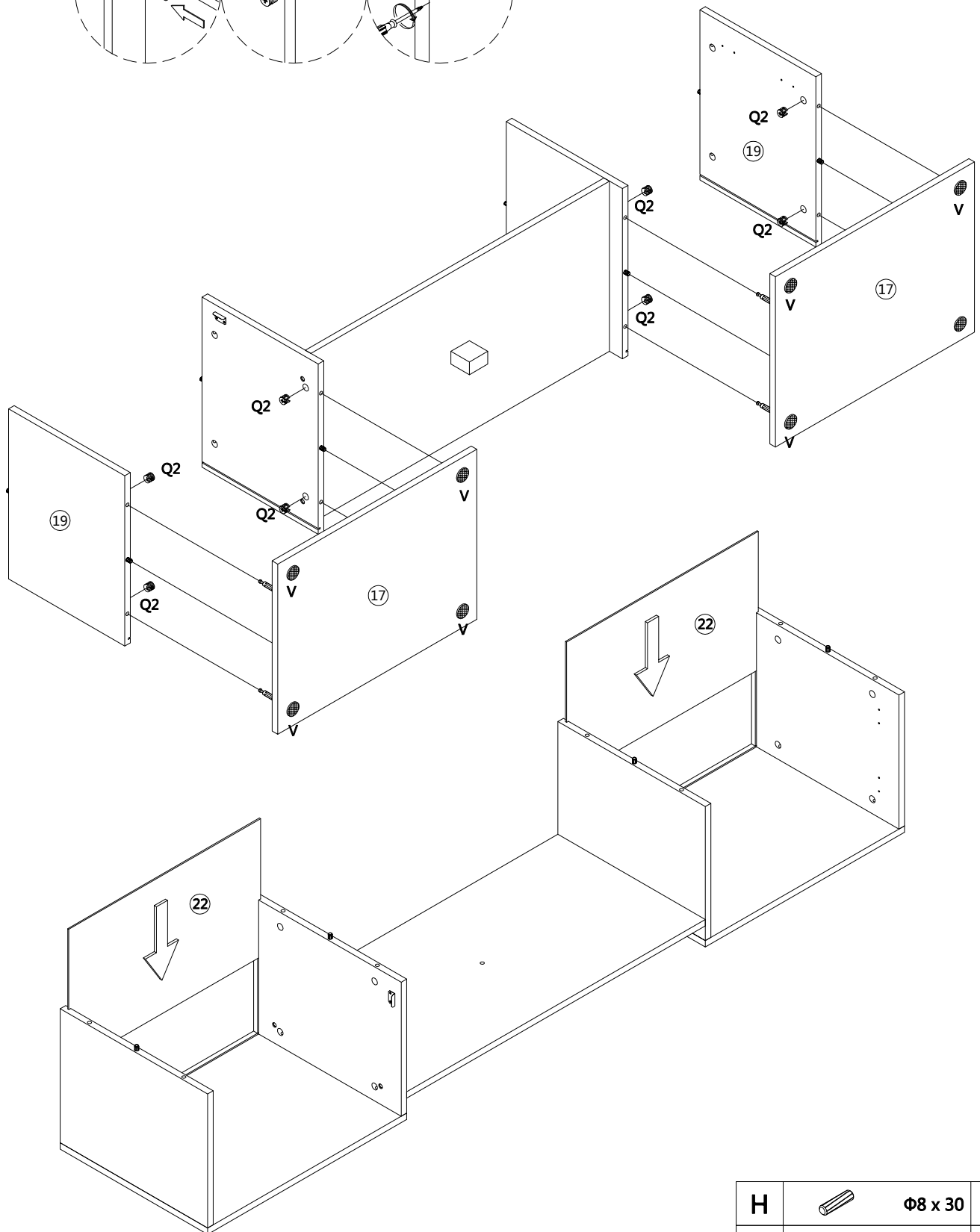
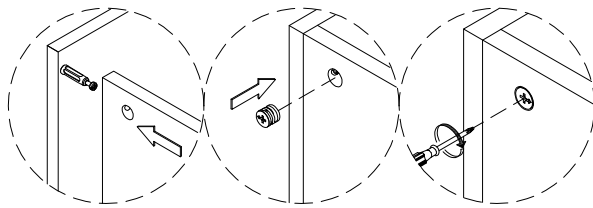
H		Φ8 x 30	12
Q1			16
R		Φ3 x 12	4
T			2




# STEP:2



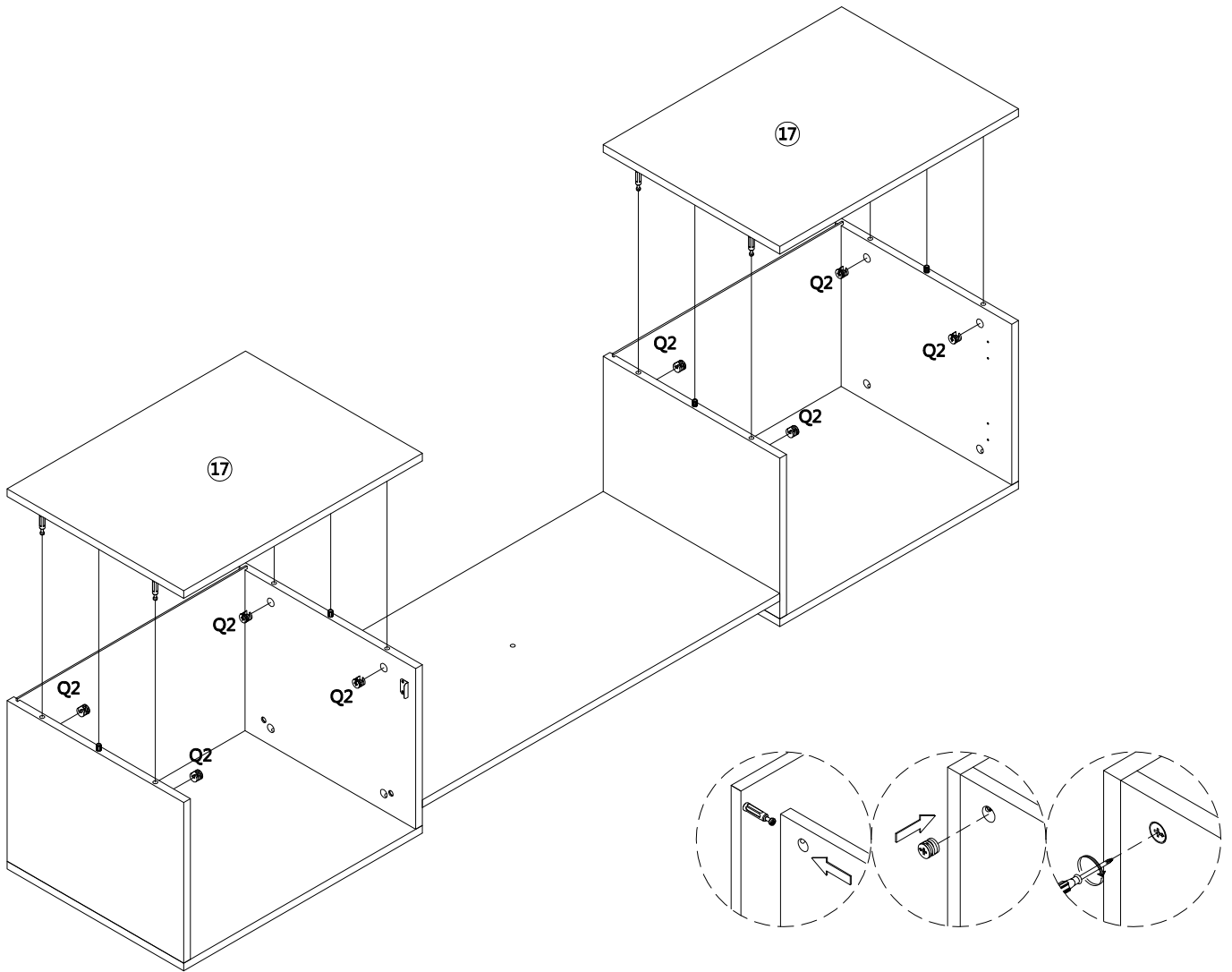
D		M6 x 50	1
S		M5 x 38	4



# STEP:3



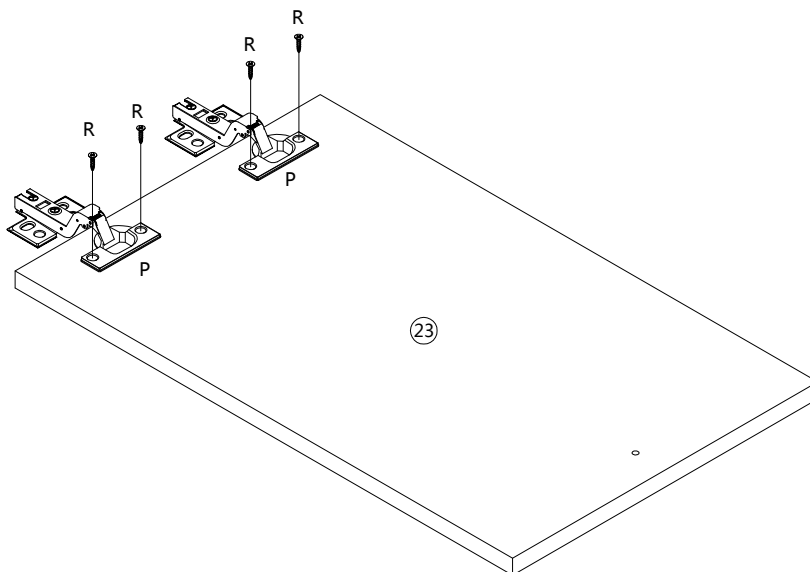
H		Φ8 x 30	4
Q2			8
V			8

# STEP:4





H		Φ8 x 30	4
Q2			8

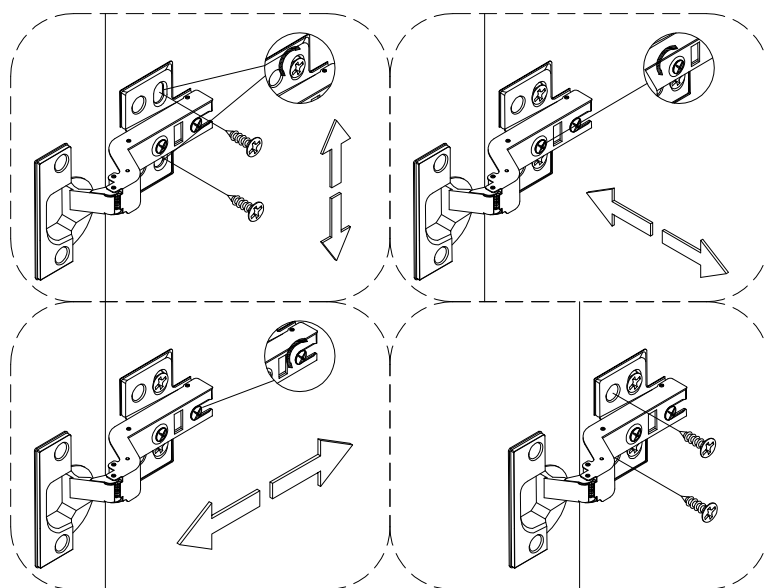
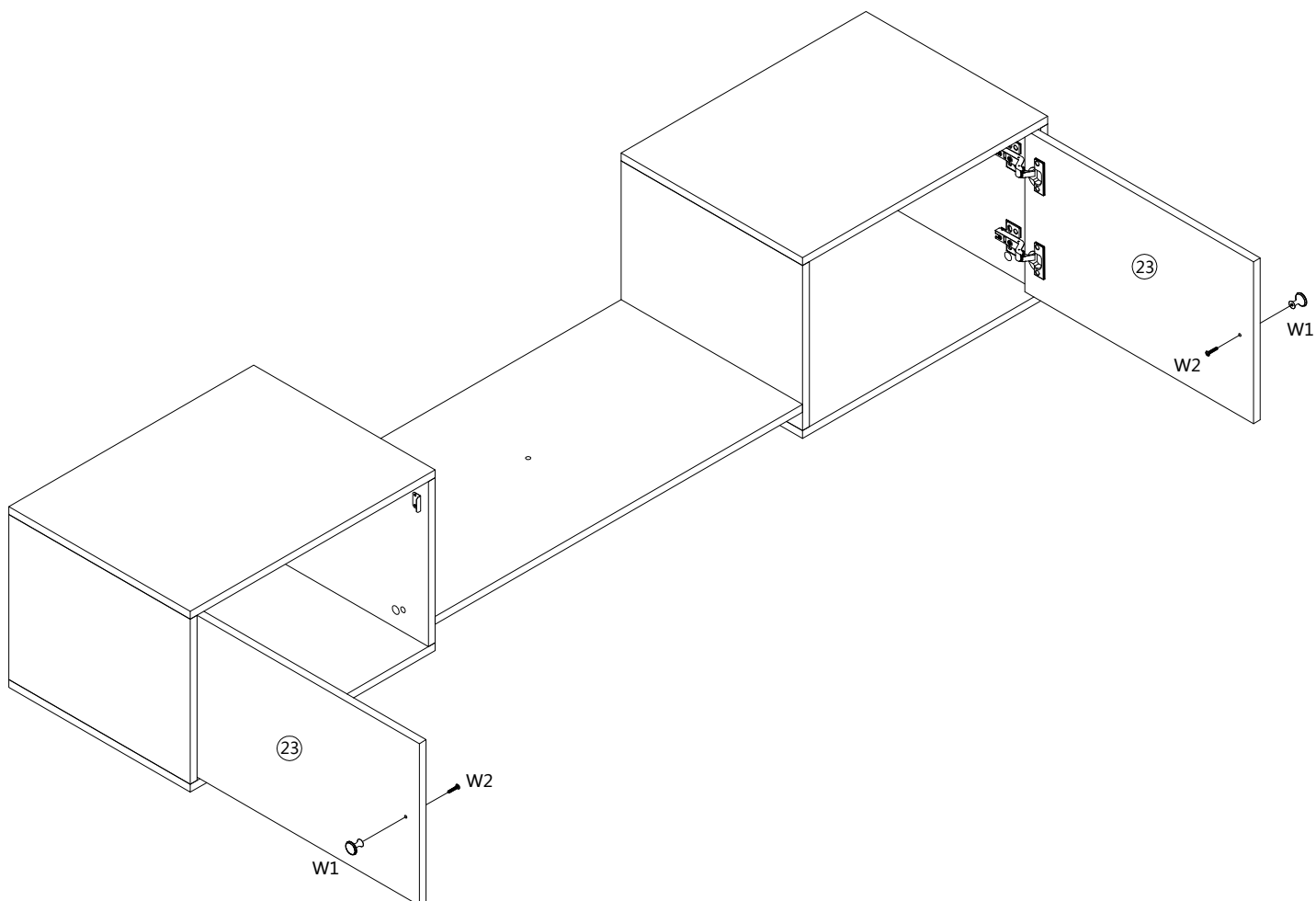
# STEP:5





**x 2**

P			4
R		Φ3 x 12	8

# STEP:6



R		$\Phi 3 \times 12$	16
W			2