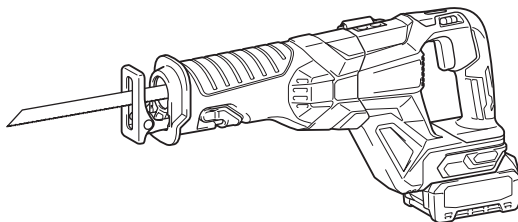




<b>EN</b>	<b>Cordless Recipro Saw</b>	<b>INSTRUCTION MANUAL</b>	<b>4</b>
<b>FR</b>	<b>Scie Recipro sans Fil</b>	<b>MANUEL D'INSTRUCTIONS</b>	<b>9</b>
<b>DE</b>	<b>Akku Reciprosäge</b>	<b>BETRIEBSANLEITUNG</b>	<b>15</b>
<b>IT</b>	<b>Seghetto diritto a batteria</b>	<b>ISTRUZIONI PER L'USO</b>	<b>21</b>
<b>NL</b>	<b>Accureciprozaag</b>	<b>GEBRUIKSAANWIJZING</b>	<b>27</b>
<b>ES</b>	<b>Sierra Recíproca Inalámbrica</b>	<b>MANUAL DE INSTRUCCIONES</b>	<b>33</b>
<b>PT</b>	<b>Serra Sabre a Bateria</b>	<b>MANUAL DE INSTRUÇÕES</b>	<b>39</b>
<b>DA</b>	<b>Akku bajonetsav</b>	<b>BRUGSANVISNING</b>	<b>45</b>
<b>EL</b>	<b>Παλινδρομικό πριόνι μπαταρίας</b>	<b>ΕΓΧΕΙΡΙΔΙΟ ΟΔΗΓΙΩΝ</b>	<b>51</b>
<b>TR</b>	<b>Akülü Kılıç Testere</b>	<b>KULLANMA KILAVUZU</b>	<b>57</b>

## JR001G



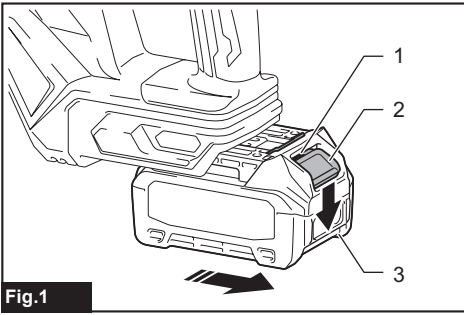


Fig.1

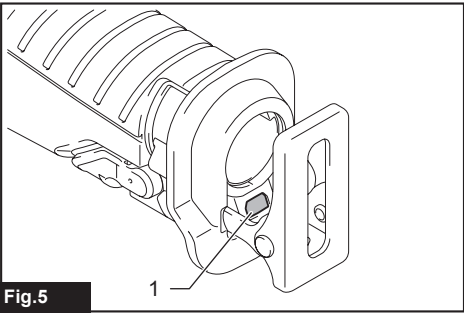


Fig.5

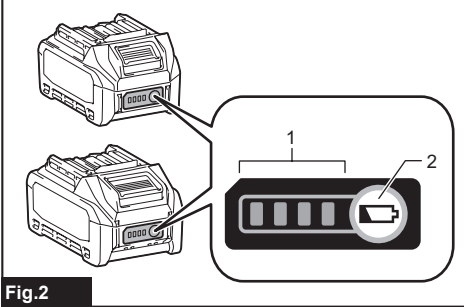


Fig.2

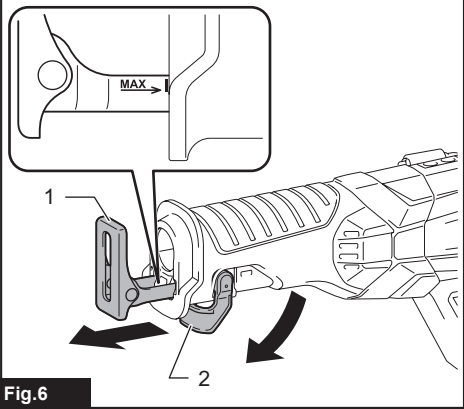


Fig.6

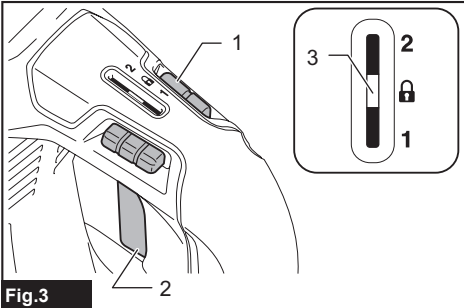


Fig.3

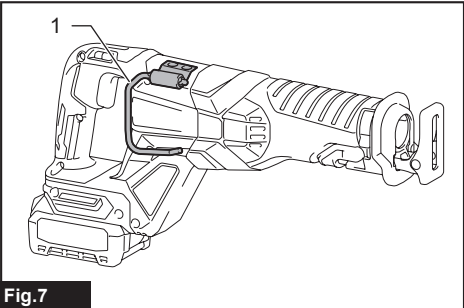


Fig.7

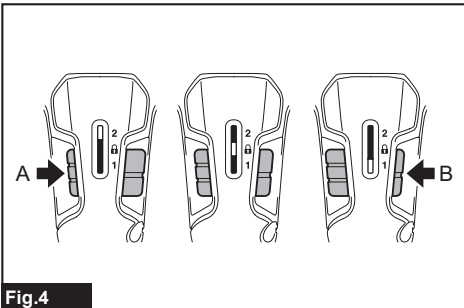


Fig.4

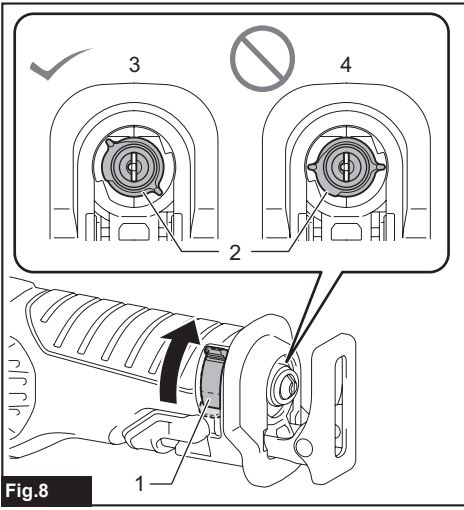


Fig.8

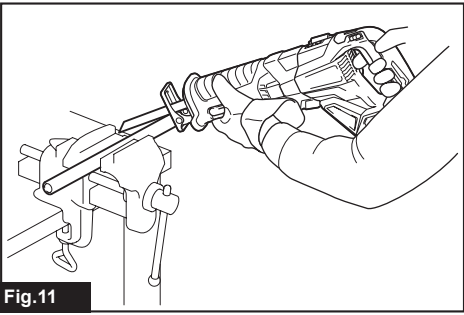


Fig.11

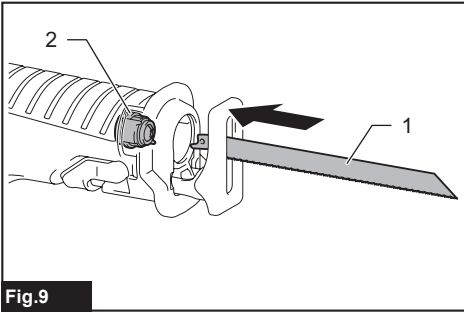


Fig.9

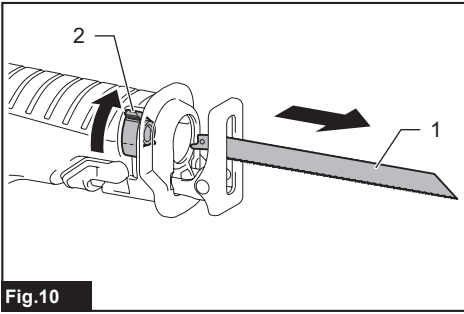


Fig.10

# SPECIFICATIONS

<b>Model:</b>		<b>JR01G</b>
Length of stroke		32 mm
Strokes per minute	High (2)	0 - 3,000 min <sup>-1</sup>
	Low (1)	0 - 2,300 min <sup>-1</sup>
Max. cutting capacities	Pipe	130 mm
	Wood	255 mm
Rated voltage		D.C. 36 V - 40 V max
Overall length	with BL4025	457 mm
	with BL4040	472 mm
Net weight		4.2 - 4.5 kg

- Due to our continuing program of research and development, the specifications herein are subject to change without notice.
- Specifications and battery cartridge may differ from country to country.
- The weight may differ depending on the attachment(s), including the battery cartridge. The lightest and heaviest combinations, according to EPTA-Procedure 01/2014, are shown in the table.

## Applicable battery cartridge and charger

Battery cartridge	BL4025 / BL4040
Charger	DC40RA

- Some of the battery cartridges and chargers listed above may not be available depending on your region of residence.

**⚠ WARNING: Only use the battery cartridges and chargers listed above.** Use of any other battery cartridges and chargers may cause injury and/or fire.

## Intended use

The tool is intended for sawing wood, plastic and ferrous materials.

## Noise

The typical A-weighted noise level determined according to EN62841-2-11:

Sound pressure level ( $L_{pA}$ ) : 85 dB(A)

Sound power level ( $L_{WA}$ ) : 96 dB(A)

Uncertainty (K) : 3 dB(A)

**NOTE:** The declared noise emission value(s) has been measured in accordance with a standard test method and may be used for comparing one tool with another.

**NOTE:** The declared noise emission value(s) may also be used in a preliminary assessment of exposure.

**⚠ WARNING: Wear ear protection.**

**⚠ WARNING:** The noise emission during actual use of the power tool can differ from the declared value(s) depending on the ways in which the tool is used especially what kind of workpiece is processed.

**⚠ WARNING:** Be sure to identify safety measures to protect the operator that are based on an estimation of exposure in the actual conditions of use (taking account of all parts of the operating cycle such as the times when the tool is switched off and when it is running idle in addition to the trigger time).

## Vibration

The vibration total value (tri-axial vector sum) determined according to EN62841-2-11:

Work mode: cutting boards

Vibration emission ( $a_{h,B}$ ) : 18.0 m/s<sup>2</sup>

Uncertainty (K) : 1.5 m/s<sup>2</sup>

Work mode: cutting wooden beams

Vibration emission ( $a_{h,WB}$ ) : 19.5 m/s<sup>2</sup>

Uncertainty (K) : 2.0 m/s<sup>2</sup>

**NOTE:** The declared vibration total value(s) has been measured in accordance with a standard test method and may be used for comparing one tool with another.

**NOTE:** The declared vibration total value(s) may also be used in a preliminary assessment of exposure.

**⚠ WARNING:** The vibration emission during actual use of the power tool can differ from the declared value(s) depending on the ways in which the tool is used especially what kind of workpiece is processed.

**⚠ WARNING:** Be sure to identify safety measures to protect the operator that are based on an estimation of exposure in the actual conditions of use (taking account of all parts of the operating cycle such as the times when the tool is switched off and when it is running idle in addition to the trigger time).



## EC Declaration of Conformity

### For European countries only

The EC declaration of conformity is included as Annex A to this instruction manual.

## SAFETY WARNINGS

### General power tool safety warnings

**⚠ WARNING:** Read all safety warnings, instructions, illustrations and specifications provided with this power tool. Failure to follow all instructions listed below may result in electric shock, fire and/or serious injury.

### Save all warnings and instructions for future reference.

The term "power tool" in the warnings refers to your mains-operated (corded) power tool or battery-operated (cordless) power tool.

### Cordless reciprocating saw safety warnings

1. Hold the power tool by insulated gripping surfaces, when performing an operation where the cutting accessory may contact hidden wiring. Cutting accessory contacting a "live" wire may make exposed metal parts of the power tool "live" and could give the operator an electric shock.
2. Use clamps or another practical way to secure and support the workpiece to a stable platform. Holding the workpiece by hand or against your body leaves it unstable and may lead to loss of control.
3. Always use safety glasses or goggles. Ordinary eye or sun glasses are NOT safety glasses.
4. Avoid cutting nails. Inspect workpiece for any nails and remove them before operation.
5. Do not cut oversize workpiece.
6. Check for the proper clearance beyond the workpiece before cutting so that the blade will not strike the floor, workbench, etc.
7. Hold the tool firmly.
8. Make sure the blade is not contacting the workpiece before the switch is turned on.
9. Keep hands away from moving parts.
10. Do not leave the tool running. Operate the tool only when hand-held.
11. Always switch off and wait for the blade to come to a complete stop before removing the blade from the workpiece.
12. Do not touch the blade or the workpiece immediately after operation; they may be extremely hot and could burn your skin.
13. Do not operate the tool at no-load unnecessarily.
14. Always use the correct dust mask/respirator for the material and application you are working with.
15. Some material contains chemicals which may be toxic. Take caution to prevent dust inhalation and skin contact. Follow material supplier safety data.
16. Before operation, make sure that there is no buried object such as electric pipe, water pipe or gas pipe in the workpiece. Otherwise, the reciprocating saw blade may touch them, resulting in an electric shock, electrical leakage or gas leak.

### SAVE THESE INSTRUCTIONS.

**⚠ WARNING:** DO NOT let comfort or familiarity with product (gained from repeated use) replace strict adherence to safety rules for the subject product. MISUSE or failure to follow the safety rules stated in this instruction manual may cause serious personal injury.

### Important safety instructions for battery cartridge

1. Before using battery cartridge, read all instructions and cautionary markings on (1) battery charger, (2) battery, and (3) product using battery.
2. Do not disassemble or tamper the battery cartridge. It may result in a fire, excessive heat, or explosion.
3. If operating time has become excessively shorter, stop operating immediately. It may result in a risk of overheating, possible burns and even an explosion.
4. If electrolyte gets into your eyes, rinse them out with clear water and seek medical attention right away. It may result in loss of your eyesight.
5. Do not short the battery cartridge:
  - (1) Do not touch the terminals with any conductive material.
  - (2) Avoid storing battery cartridge in a container with other metal objects such as nails, coins, etc.
  - (3) Do not expose battery cartridge to water or rain.A battery short can cause a large current flow, overheating, possible burns and even a breakdown.
6. Do not store the tool and battery cartridge in locations where the temperature may reach or exceed 50 °C (122 °F).
7. Do not incinerate the battery cartridge even if it is severely damaged or is completely worn out. The battery cartridge can explode in a fire.
8. Do not nail, cut, crush, throw, drop the battery cartridge, or hit against a hard object to the battery cartridge. Such conduct may result in a fire, excessive heat, or explosion.
9. Do not use a damaged battery.

10. **The contained lithium-ion batteries are subject to the Dangerous Goods Legislation requirements.** For commercial transports e.g. by third parties, forwarding agents, special requirement on packaging and labeling must be observed.  
For preparation of the item being shipped, consulting an expert for hazardous material is required. Please also observe possibly more detailed national regulations.  
Tape or mask off open contacts and pack up the battery in such a manner that it cannot move around in the packaging.
11. **When disposing the battery cartridge, remove it from the tool and dispose of it in a safe place. Follow your local regulations relating to disposal of battery.**
12. **Use the batteries only with the products specified by Makita.** Installing the batteries to non-compliant products may result in a fire, excessive heat, explosion, or leak of electrolyte.
13. **If the tool is not used for a long period of time, the battery must be removed from the tool.**
14. **During and after use, the battery cartridge may take on heat which can cause burns or low temperature burns. Pay attention to the handling of hot battery cartridges.**
15. **Do not touch the terminal of the tool immediately after use as it may get hot enough to cause burns.**
16. **Do not allow chips, dust, or soil stuck into the terminals, holes, and grooves of the battery cartridge.** It may result in poor performance or breakdown of the tool or battery cartridge.
17. **Unless the tool supports the use near a high-voltage electrical power lines, do not use the battery cartridge near a high-voltage electrical power lines.** It may result in a malfunction or breakdown of the tool or battery cartridge.

## SAVE THESE INSTRUCTIONS.

**CAUTION:** Only use genuine Makita batteries. Use of non-genuine Makita batteries, or batteries that have been altered, may result in the battery bursting causing fires, personal injury and damage. It will also void the Makita warranty for the Makita tool and charger.

## Tips for maintaining maximum battery life

1. **Charge the battery cartridge before completely discharged. Always stop tool operation and charge the battery cartridge when you notice less tool power.**
2. **Never recharge a fully charged battery cartridge. Overcharging shortens the battery service life.**
3. **Charge the battery cartridge with room temperature at 10 °C - 40 °C (50 °F - 104 °F). Let a hot battery cartridge cool down before charging it.**
4. **When not using the battery cartridge, remove it from the tool or the charger.**
5. **Charge the battery cartridge if you do not use it for a long period (more than six months).**

## FUNCTIONAL DESCRIPTION

**CAUTION:** Always be sure that the tool is switched off and the battery cartridge is removed before adjusting or checking function on the tool.

### Installing or removing battery cartridge

**CAUTION:** Always switch off the tool before installing or removing of the battery cartridge.

**CAUTION:** Hold the tool and the battery cartridge firmly when installing or removing battery cartridge. Failure to hold the tool and the battery cartridge firmly may cause them to slip off your hands and result in damage to the tool and battery cartridge and a personal injury.

► Fig.1: 1. Red indicator 2. Button 3. Battery cartridge

To remove the battery cartridge, slide it from the tool while sliding the button on the front of the cartridge.

To install the battery cartridge, align the tongue on the battery cartridge with the groove in the housing and slip it into place. Insert it all the way until it locks in place with a little click. If you can see the red indicator on the upper side of the button, it is not locked completely.

**CAUTION:** Always install the battery cartridge fully until the red indicator cannot be seen. If not, it may accidentally fall out of the tool, causing injury to you or someone around you.

**CAUTION:** Do not install the battery cartridge forcibly. If the cartridge does not slide in easily, it is not being inserted correctly.

## Tool / battery protection system

The tool is equipped with a tool/battery protection system. This system automatically cuts off power to the motor to extend tool and battery life. The tool will automatically stop during operation if the tool or battery is placed under one of the following conditions:

### Overload protection

When the battery is operated in a manner that causes it to draw an abnormally high current, the tool automatically stops without any indication. In this situation, turn the tool off and stop the application that caused the tool to become overloaded. Then turn the tool on to restart.

### Overheat protection

When the tool or battery is overheated, the tool stops automatically and the lamp blinks. In this case, let the tool and battery cool before turning the tool on again.

### Overdischarge protection

When the battery capacity is not enough, the tool stops automatically and the lamp blinks. In this case, remove the battery from the tool and charge the battery.

## Indicating the remaining battery capacity

Press the check button on the battery cartridge to indicate the remaining battery capacity. The indicator lamps light up for a few seconds.

► **Fig.2:** 1. Indicator lamps 2. Check button

Indicator lamps			Remaining capacity
Lighted	Off	Blinking	
■	□	▧	75% to 100%
■ ■ ■ ■			
■ ■ ■ ■	□		50% to 75%
■ ■ ■ □	□ □		25% to 50%
■ □ □ □	□ □ □ □		0% to 25%
▧ □ □ □	□ □ □ □		Charge the battery.
■ ■ □ □	□ □ □ □		The battery may have malfunctioned.
□ □ ■ ■	□ □ □ □	↑ ↓	

**NOTE:** Depending on the conditions of use and the ambient temperature, the indication may differ slightly from the actual capacity.

## Switch action

**CAUTION:** Before installing the battery cartridge into the tool, always check to see that the switch trigger actuates properly and returns to the "OFF" position when released.

**NOTICE:** Do not use the lock/speed change lever while the tool is running. The tool may be damaged.


► **Fig.3:** 1. Lock/speed change lever 2. Switch trigger 3. Status of the lock/speed change lever

► **Fig.4**

To start the tool, depress the lock/speed change lever from either A or B side and pull the switch trigger. Tool speed is increased by increasing pressure on the switch trigger. Release the switch trigger to stop.

Max tool speed can be changed in 2 steps.

- For high speed  
When the lock/speed change lever is depressed from A side, the stroke speed is at "2".
- For low speed  
When the lock/speed change lever is depressed from B side, the stroke speed is at "1".

When the lock/speed change lever is in  position, the tool is locked and the switch trigger cannot be pulled.

## Lighting up the front lamp

► **Fig.5:** 1. Lamp

**CAUTION:** Do not look in the light or see the source of light directly.

Pull the switch trigger to light up the lamp. The lamp keeps on lighting while the switch trigger is being pulled. The lamp goes out approximately 10 seconds after releasing the switch trigger.

**NOTE:** Use a dry cloth to wipe the dirt off the lens of the lamp. Be careful not to scratch the lens of lamp, or it may lower the illumination.


**NOTE:** When the tool is overheated, the lamp blinks for one minute. In this case, cool down the tool before another operation.

## Adjusting the shoe

When the reciprocating saw blade loses its cutting efficiency in one place along its cutting edge, reposition the shoe to utilize a sharp, unused portion of its cutting edge. This will help to lengthen the life of the reciprocating saw blade.


The position of the shoe can be adjusted in 6 levels. To reposition the shoe, open the shoe adjusting lever and select the suitable position, then close the shoe adjusting lever.

► **Fig.6:** 1. Shoe 2. Shoe adjusting lever

**NOTICE:** The shoe cannot be secured if it is extended more than the  marking of **MAX** → 1 stamping. Do not close the shoe adjusting lever forcibly in such a position. It may result in breakage of the lever.

**NOTE:** The shoe cannot be adjusted without opening the shoe adjusting lever fully.

## Hook

**CAUTION:** When hanging the tool, set the lock/speed change lever in  position to lock the switch trigger. (See the section titled "Switch action".)

**CAUTION:** Never hang the tool at high or potentially unstable location.

► **Fig.7:** 1. Hook

The hook is convenient for hanging the tool temporarily. To use the hook, simply lift up hook until it snaps into the open position.

When not in use, always lower hook until it snaps into the closed position.

## Electronic function

The tool is equipped with the electronic functions for easy operation.

## Constant speed control

The speed control function provides the constant rotation speed regardless of load conditions.

## ASSEMBLY

**⚠ CAUTION:** Always be sure that the tool is switched off and the battery cartridge is removed before carrying out any work on the tool.

### Installing or removing the reciprocating saw blade

**⚠ CAUTION:** Always clean out all chips or foreign matter adhering to the blade and around the blade clamp. Failure to do so may cause insufficient tightening of the blade, resulting in a serious injury.

To install the reciprocating saw blade, pull the release lever fully so that the blade clamp sleeve comes to the released position before inserting the reciprocating saw blade.

► **Fig.8:** 1. Release lever 2. Blade clamp sleeve  
3. Released position 4. Fixed position

**NOTE:** Always pull the release lever fully to the end. If not, the blade clamp sleeve does not come to the released position and the reciprocating saw blade cannot be inserted.

Insert the reciprocating saw blade into the slot of the blade clamp sleeve as far as it will go. The blade clamp sleeve will catch the reciprocating saw blade with a click. Make sure that the reciprocating saw blade cannot be extracted even though you try to pull it out.

► **Fig.9:** 1. Reciprocating saw blade 2. Blade clamp sleeve

**⚠ CAUTION:** If you do not insert the reciprocating saw blade deep enough, the reciprocating saw blade may be ejected unexpectedly during operation. This can be extremely dangerous.

To remove the reciprocating saw blade, pull the release lever in the direction of the arrow fully.

► **Fig.10:** 1. Reciprocating saw blade 2. Release lever

**NOTICE:** Never operate the release lever when operating the switch trigger. Doing so may cause malfunction.

## OPERATION

**⚠ CAUTION:** Always press the shoe firmly against the workpiece during operation. If the shoe is removed or held away from the workpiece during operation, strong vibration and/or twisting will be produced, causing the blade to snap dangerously.

**⚠ CAUTION:** Always wear gloves to protect your hands from hot flying chips when cutting metal.

**⚠ CAUTION:** Be sure to always wear suitable eye protection which conforms with current national standards.

**⚠ CAUTION:** Always use a suitable coolant (cutting oil) when cutting metal. Failure to do so will cause premature blade wear.

**⚠ CAUTION:** Do not quirk the blade during cutting.

Press the shoe firmly against the workpiece. Do not allow the tool to bounce. Bring the reciprocating saw blade into light contact with the workpiece. First, make a pilot groove using a slower speed. Then use a faster speed to continue cutting.

► **Fig.11**

**NOTICE:** Do not cut the workpiece with the shoe away from the workpiece or without the shoe. Doing so increases the reaction force which may break the reciprocating saw blade.

## MAINTENANCE

**⚠ CAUTION:** Always be sure that the tool is switched off and the battery cartridge is removed before attempting to perform inspection or maintenance.

**NOTICE:** Never use gasoline, benzene, thinner, alcohol or the like. Discoloration, deformation or cracks may result.

To maintain product SAFETY and RELIABILITY, repairs, any other maintenance or adjustment should be performed by Makita Authorized or Factory Service Centers, always using Makita replacement parts.

## OPTIONAL ACCESSORIES

**⚠ CAUTION:** These accessories or attachments are recommended for use with your Makita tool specified in this manual. The use of any other accessories or attachments might present a risk of injury to persons. Only use accessory or attachment for its stated purpose.

If you need any assistance for more details regarding these accessories, ask your local Makita Service Center.

- Reciprocating saw blades
- Makita genuine battery and charger

**NOTE:** Some items in the list may be included in the tool package as standard accessories. They may differ from country to country.

## SPÉCIFICATIONS

Modèle :		JR001G
Longueur de la course		32 mm
Cycles par minute	Élevé (2)	0 - 3 000 min <sup>-1</sup>
	Bas (1)	0 - 2 300 min <sup>-1</sup>
Capacités de coupe maximales	Tuyauterie	130 mm
	Bois	255 mm
Tension nominale		36 V - 40 V c.c. max.
Longueur totale	avec BL4025	457 mm
	avec BL4040	472 mm
Poids net		4,2 - 4,5 kg

- Étant donné l'évolution constante de notre programme de recherche et de développement, les spécifications contenues dans ce manuel sont sujettes à modification sans préavis.
- Les spécifications et la batterie peuvent être différentes suivant les pays.
- Le poids peut être différent selon les accessoires, notamment la batterie. Les associations la plus légère et la plus lourde, conformément à la procédure EPTA 01/2014, sont indiquées dans le tableau.

### Batterie et chargeur applicables

Batterie	BL4025 / BL4040
Chargeur	DC40RA

- Certains chargeurs et batteries répertoriés ci-dessus peuvent ne pas être disponibles selon la région où vous résidez.

**⚠ AVERTISSEMENT : N'utilisez que les batteries et les chargeurs répertoriés ci-dessus.** L'utilisation d'autres batteries et chargeurs peut provoquer des blessures et/ou un incendie.

### Utilisations

L'outil est conçu pour scier le bois, le plastique, et les métaux ferreux.

### Bruit

Niveau de bruit pondéré A typique, déterminé selon EN62841-2-11 :

Niveau de pression sonore ( $L_{pA}$ ) : 85 dB (A)

Niveau de puissance sonore ( $L_{WA}$ ) : 96 dB (A)

Incertitude (K) : 3 dB (A)

**NOTE :** La ou les valeurs d'émission de bruit déclarées ont été mesurées conformément à la méthode de test standard et peuvent être utilisées pour comparer les outils entre eux.

**NOTE :** La ou les valeurs d'émission de bruit déclarées peuvent aussi être utilisées pour l'évaluation préliminaire de l'exposition.

**⚠ AVERTISSEMENT :** Portez un serre-tête antibruit.

**⚠ AVERTISSEMENT :** L'émission de bruit lors de l'usage réel de l'outil électrique peut être différente de la ou des valeurs déclarées, suivant la façon dont l'outil est utilisé, particulièrement selon le type de pièce usinée.

**⚠ AVERTISSEMENT :** Les mesures de sécurité à prendre pour protéger l'utilisateur doivent être basées sur une estimation de l'exposition dans des conditions réelles d'utilisation (en tenant compte de toutes les composantes du cycle d'utilisation, comme par exemple le moment de sa mise hors tension, lorsqu'il tourne à vide et le moment de son déclenchement).

### Vibrations

Valeur totale de vibrations (somme de vecteur triaxial) déterminée selon EN62841-2-11 :

Mode de travail : coupe de planches

Émission de vibrations ( $a_{h,B}$ ) : 18,0 m/s<sup>2</sup>

Incertitude (K) : 1,5 m/s<sup>2</sup>

Mode de travail : coupe de poutre/pièce de bois

Émission de vibrations ( $a_{h,WB}$ ) 19,5 m/s<sup>2</sup>

Incertitude (K) : 2,0 m/s<sup>2</sup>

**NOTE** : La ou les valeurs de vibration totales déclarées ont été mesurées conformément à la méthode de test standard et peuvent être utilisées pour comparer les outils entre eux.

**NOTE** : La ou les valeurs de vibration totales déclarées peuvent aussi être utilisées pour l'évaluation préliminaire de l'exposition.

**⚠️ AVERTISSEMENT** : L'émission de vibrations lors de l'usage réel de l'outil électrique peut être différente de la ou des valeurs déclarées, suivant la façon dont l'outil est utilisé, particulièrement selon le type de pièce usinée.

**⚠️ AVERTISSEMENT** : Les mesures de sécurité à prendre pour protéger l'utilisateur doivent être basées sur une estimation de l'exposition dans des conditions réelles d'utilisation (en tenant compte de toutes les composantes du cycle d'utilisation, comme par exemple le moment de sa mise hors tension, lorsqu'il tourne à vide et le moment de son déclenchement).

## Déclaration de conformité CE

### *Pour les pays européens uniquement*

La déclaration de conformité CE est fournie en Annexe A à ce mode d'emploi.

## CONSIGNES DE SÉCURITÉ

### Consignes de sécurité générales pour outils électriques

**⚠️ AVERTISSEMENT** : Veuillez lire les consignes de sécurité, instructions, illustrations et spécifications qui accompagnent cet outil électrique. Le non-respect de toutes les instructions indiquées ci-dessous peut entraîner une électrocution, un incendie et/ou de graves blessures.

### Conservez toutes les mises en garde et instructions pour référence ultérieure.

Le terme « outil électrique » dans les avertissements fait référence à l'outil électrique alimenté par le secteur (avec cordon d'alimentation) ou à l'outil électrique fonctionnant sur batterie (sans cordon d'alimentation).

### Consignes de sécurité relatives à la scie reciproc sans fil

1. Saisissez l'outil électrique par ses surfaces de prise isolées lorsque vous effectuez des travaux au cours desquels l'accessoire tranchant peut entrer en contact avec des fils cachés. Le contact de l'accessoire tranchant avec un fil sous tension peut mettre sous tension les parties métalliques exposées de l'outil électrique, causant ainsi un choc électrique chez l'utilisateur.

2. Utilisez des dispositifs de serrage ou un autre moyen pratique pour fixer la pièce sur une surface de travail stable. La pièce sera instable et vous risquez d'en perdre la maîtrise si vous la tenez dans vos mains ou l'appuyez contre votre corps.
3. Portez toujours des lunettes de sécurité. Les lunettes ordinaires et les lunettes de soleil NE sont PAS des lunettes de sécurité.
4. Évitez de couper les clous. Avant de commencer le travail, inspectez la pièce et retirez tous les clous.
5. Ne coupez pas des pièces trop grandes.
6. Avant d'effectuer la coupe, assurez-vous que le dégagement sous la pièce est suffisant pour que la lame ne heurte pas une surface dure (sol, établi, etc.).
7. Tenez l'outil fermement.
8. Assurez-vous que la lame n'est pas en contact avec la pièce avant de mettre l'outil en marche.
9. Gardez vos mains à l'écart des pièces en mouvement.
10. Ne vous éloignez pas en laissant l'outil tourner. Ne le faites fonctionner que lorsque vous l'avez bien en main.
11. Avant de retirer la lame de la pièce, mettez toujours l'outil hors tension et attendez que la lame soit complètement immobilisée.
12. Ne touchez ni la lame ni la pièce immédiatement après la coupe ; elles peuvent être très chaudes et vous risquez de vous brûler.
13. Ne faites pas tourner l'outil à vide inutilement.
14. Portez toujours un masque antipoussières/un respirateur adapté au matériau travaillé et à l'application utilisée.
15. Certains matériaux contiennent des produits chimiques qui peuvent être toxiques. Prenez garde de ne pas avaler la poussière et évitez tout contact avec la peau. Suivez les données de sécurité du fournisseur du matériau.
16. Avant de commencer, assurez-vous qu'il n'y a pas d'objets enterrés comme des lignes électriques, des conduites de gaz ou d'eau dans la pièce. Sinon, la lame de scie reciproc peut entrer en contact avec un tel objet, ce qui peut entraîner une électrocution, une fuite électrique ou une fuite de gaz.

## CONSERVEZ CES INSTRUCTIONS.

**⚠️ AVERTISSEMENT** : NE vous laissez PAS tromper (au fil d'une utilisation répétée) par un sentiment d'aisance et de familiarité avec le produit, en négligeant le respect rigoureux des consignes de sécurité qui accompagnent le produit en question. La MAUVAISE UTILISATION de l'outil ou l'ignorance des consignes de sécurité indiquées dans ce mode d'emploi peut entraîner de graves blessures.



## Consignes de sécurité importantes pour la batterie

1. **Avant d'utiliser la batterie, lisez toutes les instructions et précautions relatives (1) au chargeur de batterie, (2) à la batterie, et (3) au produit utilisant la batterie.**
2. **Ne désassemblez pas et ne modifiez pas la batterie.** Cela pourrait entraîner un incendie, une chaleur excessive ou une explosion.
3. **Cessez immédiatement l'utilisation si le temps de fonctionnement devient excessivement court.** Il y a risque de surchauffe, de brûlures, voire d'explosion.
4. **Si l'électrolyte pénètre dans vos yeux, rincez-les à l'eau claire et consultez immédiatement un médecin.** Il y a risque de perte de la vue.
5. **Ne court-circuitez pas la batterie :**
  - (1) **Ne touchez les bornes avec aucun matériau conducteur.**
  - (2) **Évitez de ranger la batterie dans un conteneur avec d'autres objets métalliques, par exemple des clous, des pièces de monnaie, etc.**
  - (3) **N'exposez pas la batterie à l'eau ou à la pluie.**

Un court-circuit de la batterie peut provoquer une intensité de courant élevée, une surchauffe, parfois des brûlures et même une panne.

6. **Ne rangez pas l'outil et la batterie dans un endroit où la température risque d'atteindre ou de dépasser 50 °C.**
7. **Ne jetez pas la batterie au feu même si elle est sérieusement endommagée ou complètement épuisée. La batterie peut exploser au contact du feu.**
8. **Abstenez-vous de clouer, couper, écraser, jeter, laisser tomber la batterie, ou de la heurter contre un objet dur.** Cela pourrait entraîner un incendie, une chaleur excessive ou une explosion.
9. **N'utilisez pas la batterie si elle est endommagée.**
10. **Les batteries au lithium-ion contenues sont soumises aux exigences de la législation sur les marchandises dangereuses.**

Lors du transport commercial par des tierces parties ou des transitaires par exemple, des exigences spécifiques en matière d'étiquetage et d'emballage doivent être respectées.

Pour la préparation de l'article expédié, il est nécessaire de consulter un expert en matériau dangereux. Veuillez également respecter les réglementations nationales susceptibles d'être plus détaillées.

Recouvrez les contacts exposés avec du ruban adhésif ou du ruban de masquage et emballez la batterie de telle sorte qu'elle ne puisse pas bouger dans l'emballage.

11. **Lors de la mise au rebut de la batterie, retirez-la de l'outil et jetez-la en lieu sûr.** Suivez les réglementations locales en matière de mise au rebut des batteries.
12. **Utilisez les batteries uniquement avec les produits spécifiés par Makita.** L'insertion de batteries dans des produits non conformes peut provoquer un incendie, une chaleur excessive, une explosion ou une fuite de l'électrolyte.
13. **Lorsque vous n'utilisez pas l'outil pendant une période prolongée, la batterie doit être retirée de l'outil.**
14. **Pendant et après l'utilisation, la batterie peut chauffer, ce qui peut entraîner des brûlures, y compris en cas de température relativement basse.** Manipulez les batteries chaudes avec précaution.
15. **Ne touchez pas la borne de l'outil immédiatement après utilisation car elle peut être assez chaude pour provoquer des brûlures.**
16. **Évitez que des copeaux, de la poussière ou du sol adhèrent aux bornes, aux trous et aux rainures de la batterie.** Cela pourrait réduire les performances ou casser l'outil ou la batterie.
17. **À moins que l'outil prenne en charge un tel usage, n'utilisez pas la batterie à proximité de lignes électriques haute tension.** Cela pourrait entraîner un dysfonctionnement ou casser l'outil ou la batterie.

## CONSERVEZ CES INSTRUCTIONS.

**ATTENTION** : N'utilisez que des batteries Makita d'origine. L'utilisation de batteries de marque autre que Makita ou de batteries modifiées peut provoquer l'explosion des batteries, ce qui présente un risque d'incendie, de dommages matériels et corporels. Cela annulera également la garantie Makita pour l'outil et le chargeur Makita.

## Conseils pour assurer la durée de vie optimale de la batterie

1. **Chargez la batterie avant qu'elle ne soit complètement déchargée. Arrêtez toujours l'outil et rechargez la batterie quand vous remarquez que la puissance de l'outil diminue.**
2. **Ne rechargez jamais une batterie complètement chargée. La surcharge réduit la durée de service de la batterie.**
3. **Chargez la batterie à une température ambiante comprise entre 10 °C et 40 °C. Avant de charger une batterie chaude, laissez-la refroidir.**
4. **Lorsque vous n'utilisez pas la batterie, retirez-la de l'outil ou du chargeur.**
5. **Rechargez la batterie si elle est restée inutilisée pendant une période prolongée (plus de six mois).**

## DESCRIPTION DU FONCTIONNEMENT

**ATTENTION** : Assurez-vous toujours que l'outil est hors tension et que sa batterie est retirée avant de l'ajuster ou de vérifier son fonctionnement.

### Insertion ou retrait de la batterie

**ATTENTION** : Éteignez toujours l'outil avant de mettre en place ou de retirer la batterie.

**ATTENTION** : Tenez fermement l'outil et la batterie lors de la mise en place ou du retrait de la batterie. Si vous ne tenez pas fermement l'outil et la batterie, ils peuvent vous glisser des mains, et s'abîmer ou vous blesser.

► Fig.1: 1. Voyant rouge 2. Bouton 3. Batterie

Pour retirer la batterie, faites-la glisser hors de l'outil tout en faisant glisser le bouton à l'avant de la batterie.

Pour mettre en place la batterie, alignez la languette sur la batterie avec la rainure sur le compartiment et insérez-la. Insérez-la à fond jusqu'à ce qu'un léger déclic se fasse entendre. Si le voyant rouge sur le dessus du bouton est visible, cela signifie qu'elle n'est pas bien verrouillée.

**ATTENTION** : Insérez toujours complètement la batterie jusqu'à ce que le voyant rouge ne soit plus visible. Sinon, elle pourrait tomber accidentellement de l'outil, au risque de vous blesser ou de blesser quelqu'un se trouvant près de vous.

**ATTENTION** : N'insérez pas la batterie de force. Si elle ne glisse pas facilement, c'est que vous ne l'insérez pas correctement.

### Système de protection de l'outil/la batterie

L'outil est équipé d'un système de protection de l'outil/la batterie. Ce système coupe automatiquement l'alimentation vers le moteur pour prolonger la durée de vie de l'outil et de la batterie. Si l'outil ou la batterie se trouve dans l'une des situations suivantes, l'outil cessera automatiquement de fonctionner.

#### Protection contre la surcharge

Lorsque la batterie est utilisée d'une manière provoquant un appel de courant anormalement élevé, l'outil s'arrête automatiquement sans indication. Dans ce cas, éteignez l'outil et arrêtez la tâche ayant provoqué la surcharge de l'outil. Puis rallumez l'outil pour reprendre la tâche.

#### Protection contre la surchauffe

En cas de surchauffe de l'outil ou de la batterie, l'outil s'arrête automatiquement et la lampe clignote. Dans ce cas, laissez l'outil et la batterie refroidir avant de rallumer l'outil.

#### Protection contre la décharge totale de la batterie

Si la charge de la batterie est insuffisante, l'outil s'arrête automatiquement et le témoin clignote. Dans ce cas, retirez la batterie de l'outil et chargez-la.

## Indication de la charge restante de la batterie

Appuyez sur le bouton de vérification sur la batterie pour indiquer la charge restante de la batterie. Les témoins s'allument pendant quelques secondes.

► Fig.2: 1. Témoins 2. Bouton de vérification

Témoins			Charge restante
Allumé	Éteint	Clignotant	
■ ■ ■ ■			75 % à 100 %
■ ■ ■ □			50 % à 75 %
■ ■ □ □			25 % à 50 %
■ □ □ □			0 % à 25 %
▬ □ □ □			Chargez la batterie.
■ ■ □ □			Anomalie possible de la batterie.
□ □ ■ ■			

**NOTE** : Selon les conditions d'utilisation et la température ambiante, l'indication peut être légèrement différente de la capacité réelle.

## Fonctionnement de la gâchette

**ATTENTION** : Avant d'insérer la batterie dans l'outil, vérifiez toujours que la gâchette fonctionne bien et revient en position d'arrêt lorsque vous la relâchez.

**REMARQUE** : N'utilisez pas le levier de verrouillage/changement de vitesse pendant que l'outil tourne. Vous risqueriez d'abîmer l'outil.


► Fig.3: 1. Levier de verrouillage/changement de vitesse 2. Gâchette 3. État du levier de verrouillage/changement de vitesse

► Fig.4

Pour démarrer l'outil, appuyez sur le côté A ou B du levier de verrouillage/changement de vitesse et enclenchez la gâchette. La vitesse de l'outil augmente à mesure que vous augmentez la pression sur la gâchette. Pour l'arrêter, relâchez la gâchette.

La vitesse maximale de l'outil peut être modifiée selon 2 niveaux.

- Pour une vitesse élevée  
Lorsque le côté A du levier de verrouillage/changement de vitesse est enfoncé, la vitesse de frappe est sur « 2 ».
- Pour une vitesse basse  
Lorsque le côté B du levier de verrouillage/changement de vitesse est enfoncé, la vitesse de frappe est sur « 1 ».

Lorsque le levier de verrouillage/changement de vitesse est sur la position , l'outil est verrouillé et la gâchette ne peut pas être enclenchée.



## Allumage de la lampe avant

► Fig.5: 1. Lampe

**⚠ ATTENTION :** Évitez de regarder directement le faisceau lumineux ou sa source.

Enclenchez la gâchette pour allumer la lampe. La lampe reste allumée tant que la gâchette est enclenchée. La lampe s'éteint environ 10 secondes après avoir relâché la gâchette.

**NOTE :** Retirez la saleté sur la lentille de la lampe avec un chiffon sec. Prenez soin de ne pas érafler la lentille de la lampe sous peine de diminuer son éclairage.


**NOTE :** Si l'outil surchauffe, la lampe clignote pendant une minute. Dans ce cas, laissez refroidir l'outil avant de poursuivre.

## Réglage du sabot

Lorsque la lame de scie recipro perd de son efficacité de coupe sur une portion de son tranchant, repositionnez le sabot de façon à utiliser une portion intacte du tranchant. Cela vous permettra d'allonger la durée de vie de votre lame de scie recipro.


La position du sabot peut être réglée selon 6 niveaux. Pour changer le sabot de position, ouvrez le levier de réglage du sabot et sélectionnez la position adéquate, puis refermez-le.

► Fig.6: 1. Sabot 2. Levier de réglage du sabot

**REMARQUE :** Le sabot ne peut pas être maintenu en place s'il est déployé plus loin que le repère  du poinçon <sup>MAX</sup> → 1. Ne fermez pas le levier de réglage du sabot en forçant sur une telle position. Le levier pourrait se rompre.

**NOTE :** Le sabot ne peut pas être réglé sans ouvrir complètement le levier de réglage du sabot.

## Crochet

**⚠ ATTENTION :** Lorsque vous suspendez l'outil, placez le levier de verrouillage/changement de vitesse sur la position  pour verrouiller la gâchette. (Voir la section intitulée « Interrupteur ».)

**⚠ ATTENTION :** Ne suspendez jamais l'outil à un endroit élevé ou potentiellement instable.

► Fig.7: 1. Crochet

Le crochet est pratique pour suspendre temporairement l'outil.

Pour utiliser le crochet, il suffit de le soulever jusqu'à ce qu'il se verrouille en position ouverte.

Si vous n'utilisez pas le crochet, il faut toujours l'abaisser jusqu'à ce qu'il se verrouille en position fermée.

## Fonction électronique

L'outil est doté de fonctions électroniques pour en faciliter le fonctionnement.

## Contrôle de vitesse constante

La fonction de contrôle de la vitesse offre une vitesse de rotation constante quelles que soient les conditions de charge.

## ASSEMBLAGE

**⚠ ATTENTION :** Assurez-vous toujours que l'outil est hors tension et que sa batterie est retirée avant d'effectuer toute tâche dessus.

## Pose ou dépose de la lame de scie recipro

**⚠ ATTENTION :** Enlevez toujours tous les copeaux ou les corps étrangers qui adhèrent sur la lame et autour du serre-lame. Sinon, la lame risque de ne pas être assez serrée, ce qui pourrait entraîner des blessures graves.

Pour installer la lame de scie recipro, tirez à fond sur le levier de déverrouillage de sorte que le manchon de serrage de la lame se trouve en position ouverte avant d'insérer la lame de scie recipro.

► Fig.8: 1. Levier de déverrouillage 2. Manchon de serrage de la lame 3. Position ouverte 4. Position fermée

**NOTE :** Tirez toujours à fond sur le levier de déverrouillage. Sinon, le manchon de serrage de la lame ne se trouve pas en position ouverte et il est impossible d'insérer la lame de scie recipro.

Insérez la lame de scie recipro à fond dans l'emplacement du manchon de serrage de la lame le plus loin possible. Le manchon de serrage de la lame bloque la lame de scie recipro en émettant un déclic. Tirez sur la lame de scie recipro pour vous assurer qu'elle est bien bloquée.

► Fig.9: 1. Lame de scie recipro 2. Manchon de serrage de la lame

**⚠ ATTENTION :** Si la lame de scie recipro n'est pas insérée assez profondément, elle risque d'être éjectée de manière inattendue pendant que l'outil fonctionne. Cela est extrêmement dangereux.

Pour retirer la lame de scie recipro, tirez à fond sur le levier de déverrouillage dans le sens de la flèche.

► Fig.10: 1. Lame de scie recipro 2. Levier de déverrouillage

**REMARQUE :** N'actionnez jamais le levier de déverrouillage lorsque vous utilisez la gâchette. Cela pourrait provoquer un dysfonctionnement.

## UTILISATION

**⚠ ATTENTION :** Appuyez toujours fermement le sabot contre la pièce durant l'utilisation. Si le sabot est retiré ou tenu à l'écart de la pièce pendant l'utilisation, de fortes vibrations et/ou une torsion se produiront, provoquant une rupture dangereuse de la lame.

**⚠ ATTENTION :** Portez toujours des gants afin de protéger vos mains des projections de copeaux brûlants quand vous sciez du métal.

**⚠ ATTENTION :** Assurez-vous de toujours porter un dispositif de protection des yeux adéquat, conforme aux normes nationales en vigueur.

**⚠ ATTENTION :** Utilisez toujours un réfrigérant adapté (huile de coupe) quand vous sciez du métal. Faute de cette précaution, vous userez prématurément votre lame.

**⚠ ATTENTION :** Ne tordez pas la lame pendant la coupe.

Appuyez fermement le sabot contre la pièce. Ne laissez pas l'outil rebondir. Amenez la lame de scie recipro en contact léger avec la pièce. Tracez d'abord un sillon pilote en faisant tourner à faible vitesse. Continuez votre sciage à la vitesse normale.

► Fig.11

**REMARQUE :** Ne découpez pas la pièce avec le sabot éloigné de la pièce ou sans le sabot. Cela augmente la force de réaction qui peut rompre la lame de scie recipro.

## ENTRETIEN

**⚠ ATTENTION :** Assurez-vous toujours que l'outil est hors tension et que la batterie est retirée avant d'y effectuer tout travail d'inspection ou d'entretien.

**REMARQUE :** N'utilisez jamais d'essence, benzine, diluant, alcool ou autre produit similaire. Cela risquerait de provoquer la décoloration, la déformation ou la fissuration de l'outil.

Pour assurer la SÉCURITÉ et la FIABILITÉ du produit, toute réparation, tout travail d'entretien ou de réglage doivent être effectués par un centre d'entretien Makita agréé, avec des pièces de rechange Makita.

## ACCESSOIRES EN OPTION

**⚠ ATTENTION :** Ces accessoires ou pièces complémentaires sont recommandés pour l'utilisation avec l'outil Makita spécifié dans ce mode d'emploi. L'utilisation de tout autre accessoire ou pièce complémentaire peut comporter un risque de blessure. N'utilisez les accessoires ou pièces complémentaires qu'aux fins auxquelles ils ont été conçus.

Pour obtenir plus de détails sur ces accessoires, contactez votre centre d'entretien local Makita.

- Lames de scie recipro
- Batterie et chargeur Makita d'origine

**NOTE :** Il se peut que certains éléments de la liste soient compris dans l'emballage de l'outil en tant qu'accessoires standard. Ils peuvent varier d'un pays à l'autre.

## TECHNISCHE DATEN

<b>Modell:</b>		<b>JR01G</b>
Hublänge		32 mm
Hubzahl pro Minute	Hoch (2)	0 - 3.000 min <sup>-1</sup>
	Niedrig (1)	0 - 2.300 min <sup>-1</sup>
Max. Schnitttiefen	Rohr	130 mm
	Holz	255 mm
Nennspannung		36 V - 40 V Gleichstrom
Gesamtlänge	mit BL4025	457 mm
	mit BL4040	472 mm
Nettogewicht		4,2 - 4,5 kg

- Wir behalten uns vor, Änderungen der technischen Daten im Zuge der Entwicklung und des technischen Fortschritts ohne vorherige Ankündigung vorzunehmen.
- Die technischen Daten und der Akku können von Land zu Land unterschiedlich sein.
- Das Gewicht kann abhängig von dem Aufsatz (den Aufsätzen), einschließlich des Akkus, unterschiedlich sein. Die leichteste und die schwerste Kombination, gemäß dem EPTA-Verfahren 01/2014, sind in der Tabelle angegeben.

### Zutreffende Akkus und Ladegeräte

Akku	BL4025 / BL4040
Ladegerät	DC40RA

- Einige der oben aufgelisteten Akkus und Ladegeräte sind je nach Ihrem Wohngebiet eventuell nicht erhältlich.

**⚠️ WARNUNG:** Verwenden Sie nur die oben aufgeführten Akkus und Ladegeräte. Bei Verwendung irgendwelcher anderer Akkus und Ladegeräte besteht Verletzungs- und/oder Brandgefahr.

### Vorgesehene Verwendung

Das Werkzeug ist für das Sägen von Holz, Kunststoff und Eisenmaterial vorgesehen.

### Geräusch

Typischer A-bewerteter Geräuschpegel ermittelt gemäß EN62841-2-11:

Schalldruckpegel (L<sub>pA</sub>): 85 dB (A)

Schallleistungspegel (L<sub>WA</sub>): 96 dB (A)

Messunsicherheit (K): 3 dB (A)

**HINWEIS:** Der (Die) angegebene(n) Schallemissionswert(e) wurde(n) im Einklang mit der Standardprüfmethode gemessen und kann (können) für den Vergleich zwischen Werkzeugen herangezogen werden.

**HINWEIS:** Der (Die) angegebene(n) Schallemissionswert(e) kann (können) auch für eine Vorbewertung des Gefährdungsgrads verwendet werden.

**⚠️ WARNUNG:** Einen Gehörschutz tragen.

**⚠️ WARNUNG:** Die Schallemission während der tatsächlichen Benutzung des Elektrowerkzeugs kann je nach der Benutzungsweise des Werkzeugs, und speziell je nach der Art des bearbeiteten Werkstücks, von dem (den) angegebenen Wert(en) abweichen.

**⚠️ WARNUNG:** Identifizieren Sie Sicherheitsmaßnahmen zum Schutz des Benutzers anhand einer Schätzung des Gefährdungsgrads unter den tatsächlichen Benutzungsbedingungen (unter Berücksichtigung aller Phasen des Arbeitszyklus, wie z. B. Ausschalt- und Leerlaufzeiten des Werkzeugs zusätzlich zur Betriebszeit).

### Schwingungen

Schwingungsgesamtwert (Drei-Achsen-Vektorsumme) ermittelt gemäß EN62841-2-11:

Arbeitsmodus: Schneiden von Brettern

Schwingungsemission (a<sub>h, B</sub>): 18,0 m/s<sup>2</sup>

Messunsicherheit (K): 1,5 m/s<sup>2</sup>

Arbeitsmodus: Schneiden von Holzbalken

Schwingungsemission (a<sub>h, WB</sub>): 19,5 m/s<sup>2</sup>

Messunsicherheit (K): 2,0 m/s<sup>2</sup>

**HINWEIS:** Der (Die) angegebene(n) Vibrationsgesamtwert(e) wurde(n) im Einklang mit der Standardprüfmethode gemessen und kann (können) für den Vergleich zwischen Werkzeugen herangezogen werden.

**HINWEIS:** Der (Die) angegebene(n) Vibrationsgesamtwert(e) kann (können) auch für eine Vorbewertung des Gefährdungsgrads verwendet werden.

**⚠️ WARNUNG:** Die Vibrationsemission während der tatsächlichen Benutzung des Elektrowerkzeugs kann je nach der Benutzungsweise des Werkzeugs, und speziell je nach der Art des bearbeiteten Werkstücks, von dem (den) angegebenen Emissionswert(en) abweichen.

**⚠️ WARNUNG:** Identifizieren Sie Sicherheitsmaßnahmen zum Schutz des Benutzers anhand einer Schätzung des Gefährdungsgrads unter den tatsächlichen Benutzungsbedingungen (unter Berücksichtigung aller Phasen des Arbeitszyklus, wie z. B. Ausschalt- und Leerlaufzeiten des Werkzeugs zusätzlich zur Betriebszeit).

## EG-Konformitätserklärung

### Nur für europäische Länder

Die EG-Konformitätserklärung ist als Anhang A in dieser Bedienungsanleitung enthalten.

## SICHERHEITSWARNUNGEN

### Allgemeine Sicherheitswarnungen für Elektrowerkzeuge

**⚠️ WARNUNG:** Lesen Sie alle mit diesem Elektrowerkzeug gelieferten Sicherheitswarnungen, Anweisungen, Abbildungen und technischen Daten durch. Eine Missachtung der unten aufgeführten Anweisungen kann zu einem elektrischen Schlag, Brand und/oder schweren Verletzungen führen.

### Bewahren Sie alle Warnungen und Anweisungen für spätere Bezugnahme auf.

Der Ausdruck „Elektrowerkzeug“ in den Warnhinweisen bezieht sich auf Ihr mit Netzstrom (mit Kabel) oder Akku (ohne Kabel) betriebenes Elektrowerkzeug.

### Sicherheitswarnungen für Akku Reciprosäge

1. Halten Sie das Elektrowerkzeug an den isolierten Griffflächen, wenn Sie Arbeiten ausführen, bei denen die Gefahr besteht, dass das Schneidwerkzeug verborgene Kabel kontaktiert. Bei Kontakt mit einem Strom führenden Kabel können die freiliegenden Metallteile des Elektrowerkzeugs ebenfalls Strom führend werden, so dass der Benutzer einen elektrischen Schlag erleiden kann.

2. Verwenden Sie Klemmen oder eine andere praktische Methode, um das Werkstück auf einer stabilen Unterlage zu sichern und abzustützen. Wenn Sie das Werkstück nur von Hand oder gegen Ihren Körper halten, befindet es sich in einer instabilen Lage, die zum Verlust der Kontrolle führen kann.
3. Tragen Sie stets eine Sicherheits- oder Schutzbrille. Eine gewöhnliche Brille oder Sonnenbrille ist KEIN Ersatz für eine Sicherheitsbrille.
4. Vermeiden Sie das Schneiden von Nägeln. Untersuchen Sie das Werkstück auf Nägel, und entfernen Sie diese vor der Bearbeitung.
5. Schneiden Sie keine übergroßen Werkstücke.
6. Vergewissern Sie sich vor dem Schneiden, dass genügend Platz hinter dem Werkstück vorhanden ist, damit das Sägeblatt nicht auf den Boden, die Werkbank usw. trifft.
7. Halten Sie das Werkzeug mit festem Griff.
8. Vergewissern Sie sich vor dem Einschalten des Werkzeugs, dass das Sägeblatt nicht das Werkstück berührt.
9. Halten Sie die Hände von beweglichen Teilen fern.
10. Lassen Sie das Werkzeug nicht unbeaufsichtigt laufen. Benutzen Sie das Werkzeug nur mit Handhaltung.
11. Schalten Sie das Werkzeug stets aus, und warten Sie, bis das Sägeblatt zum vollständigen Stillstand kommt, bevor Sie das Sägeblatt aus dem Werkstück entfernen.
12. Vermeiden Sie eine Berührung des Sägeblatts oder des Werkstücks unmittelbar nach der Bearbeitung, weil sie dann möglicherweise noch sehr heiß sind und Hautverbrennungen verursachen können.
13. Lassen Sie das Werkzeug nicht unnötig im Leerlauf laufen.
14. Verwenden Sie stets die korrekte Staubschutz-/Atemmaske für das jeweilige Material und die Anwendung.
15. Manche Materialien können giftige Chemikalien enthalten. Treffen Sie Vorsichtsmaßnahmen, um das Einatmen von Arbeitsstaub und Hautkontakt zu verhindern. Befolgen Sie die Sicherheitsdaten des Materiallieferanten.
16. Vergewissern Sie sich vor der Arbeit, dass sich keine verborgenen Objekte, wie etwa eine elektrische Leitung, ein Wasserrohr oder ein Gasrohr, im Werkstück befinden. Anderenfalls kann das Reciprosägeblatt damit in Berührung kommen und einen elektrischen Schlag, einen Leckstrom oder ein Gasleck verursachen.

### DIESE ANWEISUNGEN AUFBEWAHREN.

**⚠️ WARNUNG:** Lassen Sie sich NICHT durch Bequemlichkeit oder Vertrautheit mit dem Produkt (durch wiederholten Gebrauch erworben) von der strikten Einhaltung der Sicherheitsregeln für das vorliegende Produkt abhalten. MISSBRAUCH oder Missachtung der Sicherheitsvorschriften in dieser Anleitung können schwere Verletzungen verursachen.

## Wichtige Sicherheitsanweisungen für Akku

1. **Lesen Sie vor der Benutzung des Akkus alle Anweisungen und Warnhinweise, die an (1) Ladegerät, (2) Akku und (3) Akkuwerkzeug angebracht sind.**
2. **Unterlassen Sie Zerlegen oder Manipulieren des Akkus.** Es kann sonst zu einem Brand, übermäßiger Hitzeentwicklung oder einer Explosion kommen.
3. **Falls die Betriebszeit beträchtlich kürzer geworden ist, stellen Sie den Betrieb sofort ein.** Andernfalls besteht die Gefahr von Überhitzung, möglichen Verbrennungen und sogar einer Explosion.
4. **Falls Elektrolyt in Ihre Augen gelangt, waschen Sie sie mit sauberem Wasser aus, und begeben Sie sich unverzüglich in ärztliche Behandlung.** Andernfalls können Sie Ihre Sehkraft verlieren.
5. **Der Akku darf nicht kurzgeschlossen werden:**
  - (1) **Die Kontakte dürfen nicht mit leitfähigem Material berührt werden.**
  - (2) **Lagern Sie den Akku nicht in einem Behälter zusammen mit anderen Metallgegenständen, wie z. B. Nägel, Münzen usw.**
  - (3) **Setzen Sie den Akku weder Wasser noch Regen aus.**

Ein Kurzschluss des Akkus verursacht starken Stromfluss, der Überhitzung, mögliche Verbrennungen und einen Defekt zur Folge haben kann.

6. **Lagern Sie das Werkzeug und den Akku nicht an Orten, an denen die Temperatur 50 °C erreichen oder überschreiten kann.**
7. **Versuchen Sie niemals, den Akku zu verbrennen, selbst wenn er stark beschädigt oder vollkommen verbraucht ist. Der Akku kann im Feuer explodieren.**
8. **Unterlassen Sie Nageln, Schneiden, Zerquetschen, Werfen, Fallenlassen des Akkus oder Schlagen des Akkus mit einem harten Gegenstand.** Eine solche Handlung kann zu einem Brand, übermäßiger Hitzeentwicklung oder einer Explosion führen.
9. **Benutzen Sie keine beschädigten Akkus.**
10. **Die enthaltenen Lithium-Ionen-Akkus unterliegen den Anforderungen der Gefahrgut-Gesetzgebung.** Für kommerzielle Transporte, z. B. durch Dritte oder Spediteure, müssen besondere Anforderungen zu Verpackung und Etikettierung beachtet werden. Zur Vorbereitung des zu transportierenden Artikels ist eine Beratung durch einen Experten für Gefahrgut erforderlich. Bitte beachten Sie möglicherweise ausführlichere nationale Vorschriften. Überkleben oder verdecken Sie offene Kontakte, und verpacken Sie den Akku so, dass er sich in der Verpackung nicht umher bewegen kann.
11. **Entfernen Sie den Akku zum Entsorgen vom Werkzeug, und entsorgen Sie ihn an einem sicheren Ort. Befolgen Sie die örtlichen Vorschriften bezüglich der Entsorgung von Akkus.**

12. **Verwenden Sie die Akkus nur mit den von Makita angegebenen Produkten.** Das Einsetzen der Akkus in nicht konforme Produkte kann zu einem Brand, übermäßiger Hitzebildung, einer Explosion oder Auslaufen von Elektrolyt führen.
13. **Soll das Werkzeug längere Zeit nicht benutzt werden, muss der Akku vom Werkzeug entfernt werden.**
14. **Bei und nach dem Gebrauch kann der Akku heiß werden, was Verbrennungen oder Niedertemperaturverbrennungen verursachen kann.** Beachten Sie die Handhabung von heißen Akkus.
15. **Berühren Sie nicht den Anschlusskontakt des Werkzeugs unmittelbar nach dem Gebrauch, da er heiß genug werden kann, um Verbrennungen zu verursachen.**
16. **Achten Sie darauf, dass sich keine Späne, Staub oder Schmutz in den Anschlusskontakten, Löchern und Nuten des Akkus absetzen.** Dies kann zu einer Leistungseinbuße oder Betriebsstörung des Werkzeugs oder des Akkus führen.
17. **Wenn das Werkzeug den Einsatz in der Nähe einer Hochspannungs-Stromleitung nicht unterstützt, benutzen Sie den Akku nicht in der Nähe einer Hochspannungs-Stromleitung.** Dies kann zu einer Funktionsstörung oder Betriebsstörung des Werkzeugs oder des Akkus führen.

## DIESE ANWEISUNGEN AUFBEWAHREN.

**⚠ VORSICHT:** Verwenden Sie nur Original-Makita-Akkus. Die Verwendung von Nicht-Original-Makita-Akkus oder von Akkus, die abgeändert worden sind, kann zum Bersten des Akkus und daraus resultierenden Bränden, Personenschäden und Beschädigung führen. Außerdem wird dadurch die Makita-Garantie für das Makita-Werkzeug und -Ladegerät ungültig.

## Hinweise zur Aufrechterhaltung der maximalen Akku-Nutzungsdauer

1. **Laden Sie den Akku, bevor er vollkommen erschöpft ist.** Schalten Sie das Werkzeug stets aus, und laden Sie den Akku, wenn Sie ein Nachlassen der Werkzeugleistung feststellen.
2. **Unterlassen Sie erneutes Laden eines voll aufgeladenen Akkus.** Überladen führt zu einer Verkürzung der Nutzungsdauer des Akkus.
3. **Laden Sie den Akku bei Raumtemperatur zwischen 10 – 40 °C.** Lassen Sie einen heißen Akku abkühlen, bevor Sie ihn laden.
4. **Wenn Sie den Akku nicht benutzen, nehmen Sie ihn vom Werkzeug oder Ladegerät ab.**
5. **Der Akku muss geladen werden, wenn er lange Zeit (länger als sechs Monate) nicht benutzt wird.**

# FUNKTIONSBESCHREIBUNG

**⚠ VORSICHT:** Vergewissern Sie sich vor der Durchführung von Einstellungen oder Funktionsprüfungen des Werkzeugs stets, dass das Werkzeug ausgeschaltet und der Akku abgenommen ist.

## Anbringen und Abnehmen des Akkus

**⚠ VORSICHT:** Schalten Sie das Werkzeug stets aus, bevor Sie den Akku anbringen oder abnehmen.

**⚠ VORSICHT:** Halten Sie das Werkzeug und den Akku beim Anbringen oder Abnehmen des Akkus sicher fest. Wenn Sie das Werkzeug und den Akku nicht sicher festhalten, können sie Ihnen aus der Hand rutschen, was zu einer Beschädigung des Werkzeugs und des Akkus und zu Körperverletzungen führen kann.

► **Abb.1:** 1. Rote Anzeige 2. Knopf 3. Akku

Ziehen Sie den Akku zum Abnehmen vom Werkzeug ab, während Sie den Knopf an der Vorderseite des Akkus verschieben.

Richten Sie zum Anbringen des Akkus dessen Führungsfeder auf die Nut im Gehäuse aus, und schieben Sie den Akku hinein. Schieben Sie ihn vollständig ein, bis er mit einem hörbaren Klicken einrastet. Falls die rote Anzeige an der Oberseite des Knopfes sichtbar ist, ist der Akku nicht vollständig verriegelt.

**⚠ VORSICHT:** Schieben Sie den Akku stets bis zum Anschlag ein, bis die rote Anzeige nicht mehr sichtbar ist. Anderenfalls kann er aus dem Werkzeug herausfallen und Sie oder umstehende Personen verletzen.

**⚠ VORSICHT:** Unterlassen Sie Gewaltanwendung beim Anbringen des Akkus. Falls der Akku nicht reibungslos hineingleitet, ist er nicht richtig ausgerichtet.

## Werkzeug/Akku-Schutzsystem

Das Werkzeug ist mit einem Werkzeug/Akku-Schutzsystem ausgestattet. Dieses System schaltet die Stromversorgung des Motors automatisch ab, um die Lebensdauer von Werkzeug und Akku zu verlängern. Das Werkzeug bleibt während des Betriebs automatisch stehen, wenn das Werkzeug oder der Akku einer der folgenden Bedingungen unterliegt:

### Überlastschutz

Wird der Akku auf eine Weise benutzt, die eine ungewöhnlich hohe Stromaufnahme bewirkt, bleibt das Werkzeug ohne jegliche Anzeige automatisch stehen. Schalten Sie in dieser Situation das Werkzeug aus, und brechen Sie die Arbeit ab, die eine Überlastung des Werkzeugs verursacht hat. Schalten Sie dann das Werkzeug wieder ein, um es neu zu starten.

## Überhitzungsschutz

Wenn das Werkzeug oder der Akku überhitzt wird, bleibt das Werkzeug automatisch stehen, und die Lampe beginnt zu blinken. Lassen Sie das Werkzeug und den Akku in diesem Fall abkühlen, bevor Sie das Werkzeug wieder einschalten.

## Überentladungsschutz

Wenn die Akkukapazität nicht ausreicht, bleibt das Werkzeug automatisch stehen, und die Lampe blinkt. Nehmen Sie in diesem Fall den Akku vom Werkzeug ab, und laden Sie ihn auf.

## Anzeigen der Akku-Restkapazität

Drücken Sie die Prüftaste am Akku, um die Akku-Restkapazität anzuzeigen. Die Anzeigelampen leuchten wenige Sekunden lang auf.

► **Abb.2:** 1. Anzeigelampen 2. Prüftaste

Anzeigelampen			Restkapazität
Erleuchtet	Aus	Blinkend	
			75% bis 100%
			50% bis 75%
			25% bis 50%
			0% bis 25%
			Den Akku aufladen.
			Möglicherweise liegt eine Funktionsstörung im Akku vor.

**HINWEIS:** Abhängig von den Benutzungsbedingungen und der Umgebungstemperatur kann die Anzeige geringfügig von der tatsächlichen Kapazität abweichen.

## Schalterfunktion

**⚠ VORSICHT:** Vergewissern Sie sich vor dem Einsetzen des Akkus in das Werkzeug stets, dass der Ein-Aus-Schalter ordnungsgemäß funktioniert und beim Loslassen in die AUS-Stellung zurückkehrt.

**ANMERKUNG:** Betätigen Sie den Verriegelungs-/Hubzahlumschalthebel nicht während des Betriebs des Werkzeugs. Das Werkzeug kann sonst beschädigt werden.

► **Abb.3:** 1. Verriegelungs-/Hubzahlumschalthebel 2. Ein-Aus-Schalter 3. Status des Verriegelungs-/Hubzahlumschalthebels




## ► Abb.4

Um das Werkzeug zu starten, drücken Sie den Verriegelungs-/Hubzahlumschalthebel entweder von der Seite A oder B hinein, und betätigen Sie den Ein-Aus-Schalter. Die Hubzahl erhöht sich durch verstärkte Druckausübung auf den Ein-Aus-Schalter. Zum Anhalten lassen Sie den Ein-Aus-Schalter los.

Die maximale Hubzahl kann in 2 Stufen verstellt werden.

- Für hohe Hubzahl  
Durch Hineindrücken des Verriegelungs-/Hubzahlumschalthebels von der Seite A wird die Stufe „2“ der Hubzahl gewählt.
- Für niedrige Hubzahl  
Durch Hineindrücken des Verriegelungs-/Hubzahlumschalthebels von der Seite B wird die Stufe „1“ der Hubzahl gewählt.

Wird der Verriegelungs-/Hubzahlumschalthebel auf die Position  gestellt, wird das Werkzeug verriegelt, so dass der Ein-Aus-Schalter nicht betätigt werden kann.

## Einschalten der Frontlampe

### ► Abb.5: 1. Lampe

**⚠ VORSICHT:** Blicken Sie nicht direkt in die Lampe oder die Lichtquelle.

Betätigen Sie den Ein-Aus-Schalter, um die Lampe einzuschalten. Die Lampe bleibt erleuchtet, solange der Ein-Aus-Schalter gedrückt gehalten wird. Die Lampe erlischt ungefähr 10 Sekunden nach dem Loslassen des Ein-Aus-Schalters.

**HINWEIS:** Wischen Sie Schmutz auf der Lampenlinse mit einem trockenen Tuch ab. Achten Sie sorgfältig darauf, dass Sie die Lampenlinse nicht verkratzen, weil sich sonst die Lichtstärke verringert.


**HINWEIS:** Wenn das Werkzeug überhitzt ist, blinkt die Lampe eine Minute lang. Lassen Sie in diesem Fall das Werkzeug abkühlen, bevor Sie die Arbeit fortsetzen.

## Einstellen des Schuhs

Wenn das Reciprosägeblatt an einer Stelle seiner Schneidkante abgenutzt ist, verändern Sie die Position des Schuhs, um einen scharfen, unbenutzten Teil der Schneidkante zu verwenden. Dadurch wird die Lebensdauer des Reciprosägeblatts verlängert. Die Position des Schuhs kann in 6 Stufen eingestellt werden.


Um den Schuh neu zu positionieren, öffnen Sie den Schuheinstellhebel, wählen Sie die geeignete Position, und schließen Sie dann den Schuheinstellhebel.

### ► Abb.6: 1. Schuh 2. Schuheinstellhebel

**ANMERKUNG:** Der Schuh kann nicht geschlossen werden, wenn er über die  Markierung der <sup>MAX</sup> → Prägung hinaus ausgezogen wird. Schließen Sie den Schuheinstellhebel in solch einer Position nicht gewaltsam. Es kann sonst zu einem Bruch des Hebels kommen.

**HINWEIS:** Der Schuh kann nicht eingestellt werden, ohne den Schuheinstellhebel vollständig zu öffnen.

## Haken

**⚠ VORSICHT:** Wenn Sie das Werkzeug aufhängen, stellen Sie den Verriegelungs-/Hubzahlumschalthebel auf die Position , um den Ein-Aus-Schalter zu verriegeln. (Siehe den Abschnitt mit dem Titel „Schalterfunktion“.)

**⚠ VORSICHT:** Hängen Sie das Werkzeug auf keinen Fall an hoch gelegenen oder potenziell instabilen Stellen auf.

### ► Abb.7: 1. Haken

Der Haken ist praktisch, um das Werkzeug vorübergehend aufzuhängen.

Um den Haken zu benutzen, heben Sie ihn einfach an, bis er in die geöffnete Position einrastet.

Wenn er nicht benutzt wird, senken Sie den Haken stets ab, bis er in die geschlossene Position einrastet.

## Elektronikfunktionen

Das Werkzeug ist für komfortablen Betrieb mit Elektronikfunktionen ausgestattet.

## Konstantdrehzahlregelung

Die Drehzahlregelungsfunktion liefert eine konstante Drehzahl ungeachtet der Lastbedingungen.

## MONTAGE

**⚠ VORSICHT:** Vergewissern Sie sich vor der Ausführung von Arbeiten am Werkzeug stets, dass das Werkzeug ausgeschaltet und der Akku abgenommen ist.

## Montieren und Demontieren des Reciprosägeblatts

**⚠ VORSICHT:** Säubern Sie das Sägeblatt und den Bereich um die Sägeblattklemme stets von anhaftenden Spänen oder Fremdkörpern. Anderenfalls lässt sich das Sägeblatt möglicherweise nicht fest genug einspannen, was schwere Verletzungen zur Folge haben kann.

Um das Reciprosägeblatt zu montieren, ziehen Sie den Entriegelungshebel vollständig, so dass die Sägeblatt-Spannhülse zu der gelösten Stellung kommt, bevor Sie das Reciprosägeblatt einführen.

### ► Abb.8: 1. Entriegelungshebel 2. Sägeblatt-Spannhülse 3. Gelöste Stellung 4. Fixierte Stellung

**HINWEIS:** Ziehen Sie den Entriegelungshebel immer vollständig bis zum Ende. Anderenfalls kommt die Sägeblatt-Spannhülse nicht zu der gelösten Stellung, und das Reciprosägeblatt kann nicht eingeführt werden.

Führen Sie das Reciprosägeblatt bis zum Anschlag in den Schlitz der Sägeblatt-Spannhülse ein. Die Sägeblatt-Spannhülse erfasst das Reciprosägeblatt mit einem Klick. Vergewissern Sie sich durch Zugversuch, dass sich das Reciprosägeblatt nicht herausziehen lässt.

- **Abb.9:** 1. Reciprosägeblatt  
2. Sägeblatt-Spannhülse

**⚠VORSICHT:** Wird das Reciprosägeblatt nicht tief genug eingeführt, kann es während des Betriebs plötzlich herausgeschleudert werden. Dies kann äußerst gefährlich sein.

Zum Entfernen des Reciprosägeblatts ziehen Sie den Entriegelungshebel vollständig in Pfeilrichtung.

- **Abb.10:** 1. Reciprosägeblatt 2. Entriegelungshebel

**ANMERKUNG:** Betätigen Sie den Entriegelungshebel niemals, wenn Sie den Auslöseschalter betätigen. Anderenfalls kann es zu einer Funktionsstörung kommen.

## BETRIEB

**⚠VORSICHT:** Drücken Sie den Schuh während des Sägebetriebs immer fest gegen das Werkstück. Wird der Schuh während des Sägebetriebs vom Werkstück entfernt oder ferngehalten, kommt es zu heftigen Vibrationen und/oder Verdrehungen, die gefährliches Springen des Sägeblatts verursachen.

**⚠VORSICHT:** Tragen Sie beim Sägen von Metall immer Handschuhe, um Ihre Hände vor umherfliegenden heißen Spänen zu schützen.

**⚠VORSICHT:** Tragen Sie stets einen geeigneten Augenschutz, der den aktuellen Landesnormen entspricht.

**⚠VORSICHT:** Verwenden Sie beim Sägen von Metall immer ein geeignetes Kühlmittel (Schneidöl). Anderenfalls kommt es zu vorzeitigem Verschleiß des Sägeblatts.

**⚠VORSICHT:** Vermeiden Sie abruptes Verdrehen des Sägeblatts während des Schneidens.

Drücken Sie den Schuh fest gegen das Werkstück. Lassen Sie das Werkzeug nicht springen. Bringen Sie das Reciprosägeblatt in leichten Kontakt mit dem Werkstück. Erzeugen Sie zunächst eine Führungsrille mit niedrigerer Hubzahl. Setzen Sie dann den Sägebetrieb mit einer höheren Hubzahl fort.

- **Abb.11**

**ANMERKUNG:** Schneiden Sie das Werkstück nicht, wenn der Schuh vom Werkstück beabstandet oder nicht angebracht ist. Dadurch wird die Reaktionskraft erhöht, was zu einem Bruch des Reciprosägeblatts führen kann.

## WARTUNG

**⚠VORSICHT:** Vergewissern Sie sich vor der Durchführung von Inspektions- oder Wartungsarbeiten stets, dass das Werkzeug ausgeschaltet und der Akku abgenommen ist.

**ANMERKUNG:** Verwenden Sie auf keinen Fall Benzin, Waschbenzin, Verdünnern, Alkohol oder dergleichen. Solche Mittel können Verfärbung, Verformung oder Rissbildung verursachen.

Um die SICHERHEIT und ZUVERLÄSSIGKEIT dieses Produkts zu gewährleisten, sollten Reparaturen und andere Wartungs- oder Einstellarbeiten nur von Makita-Vertragswerkstätten oder Makita-Kundendienstzentren unter ausschließlicher Verwendung von Makita-Originalersatzteilen ausgeführt werden.

## SONDERZUBEHÖR

**⚠VORSICHT:** Die folgenden Zubehörteile oder Vorrichtungen werden für den Einsatz mit dem in dieser Anleitung beschriebenen Makita-Werkzeug empfohlen. Die Verwendung anderer Zubehörteile oder Vorrichtungen kann eine Verletzungsgefahr darstellen. Verwenden Sie Zubehörteile oder Vorrichtungen nur für ihren vorgesehenen Zweck.

Wenn Sie weitere Einzelheiten bezüglich dieser Zubehörteile benötigen, wenden Sie sich bitte an Ihre Makita-Kundendienststelle.

- Reciprosägeblätter
- Original-Makita-Akku und -Ladegerät

**HINWEIS:** Manche Teile in der Liste können als Standardzubehör im Werkzeugsatz enthalten sein. Sie können von Land zu Land unterschiedlich sein.



## DATI TECNICI

<b>Modello:</b>		<b>JR001G</b>
Lunghezza della corsa		32 mm
Corse al minuto	Alta velocità (2)	0 - 3.000 min <sup>-1</sup>
	Bassa velocità (1)	0 - 2.300 min <sup>-1</sup>
Capacità massime di taglio	Tubi	130 mm
	Legno	255 mm
Tensione nominale		36 V - 40 V CC max
Lunghezza complessiva	con BL4025	457 mm
	con BL4040	472 mm
Peso netto		Da 4,2 - 4,5 kg

- A causa del nostro programma continuativo di ricerca e sviluppo, i dati tecnici sono soggetti a modifiche senza preavviso.
- I dati tecnici e la cartuccia della batteria potrebbero differire da nazione a nazione.
- Il peso può variare a seconda dell'accessorio o degli accessori, inclusa la cartuccia della batteria. La combinazione più leggera e quella più pesante, secondo la procedura EPTA 01/2014, sono indicate nella tabella.

### Cartuccia della batteria e caricabatterie applicabili

Cartuccia della batteria	BL4025/BL4040
Caricabatterie	DC40RA

- Alcune cartucce delle batterie e alcuni caricabatterie elencati sopra potrebbero non essere disponibili a seconda della propria area geografica di residenza.

**⚠AVVERTIMENTO:** Utilizzare solo le cartucce delle batterie e i caricabatterie elencati sopra. L'utilizzo di altre cartucce delle batterie e di altri caricabatterie potrebbe causare lesioni personali e/o un incendio.

### Utilizzo previsto

Questo utensile è progettato per il taglio di legno, plastica e materiali ferrosi.

### Rumore

Livello tipico di rumore pesato A determinato in base allo standard EN62841-2-11:

Livello di pressione sonora ( $L_{pA}$ ): 85 dB (A)

Livello di potenza sonora ( $L_{WA}$ ): 96 dB (A)

Incertezza (K): 3 dB (A)

**NOTA:** Il valore o i valori dichiarati delle emissioni di rumori sono stati misurati in conformità a un metodo standard di verifica, e possono essere utilizzati per confrontare un utensile con un altro.

**NOTA:** Il valore o i valori dichiarati delle emissioni di rumori possono venire utilizzati anche per una valutazione preliminare dell'esposizione.

**⚠AVVERTIMENTO:** Indossare protezioni per le orecchie.

**⚠AVVERTIMENTO:** L'emissione di rumori durante l'utilizzo effettivo dell'utensile elettrico può variare rispetto al valore o ai valori dichiarati, a seconda dei modi in cui viene utilizzato l'utensile e specialmente a seconda di che tipo di pezzo venga lavorato.

**⚠AVVERTIMENTO:** Accertarsi di identificare misure di sicurezza per la protezione dell'operatore che siano basate su una stima dell'esposizione nelle condizioni effettive di utilizzo (tenendo conto di tutte le parti del ciclo operativo, ad esempio del numero di spegnimenti dell'utensile e di quando giri a vuoto, oltre al tempo di attivazione).

### Vibrazioni

Valore totale delle vibrazioni (somma vettoriale triassiale) determinato in base allo standard EN62841-2-11:

Modalità di lavoro: taglio dei pannelli

Emissione di vibrazioni ( $a_{h,B}$ ): 18,0 m/s<sup>2</sup>

Incertezza (K): 1,5 m/s<sup>2</sup>

Modalità di lavoro: taglio delle travi in legno

Emissione di vibrazioni ( $a_{h,WB}$ ): 19,5 m/s<sup>2</sup>

Incertezza (K): 2,0 m/s<sup>2</sup>

**NOTA:** Il valore o i valori complessivi delle vibrazioni dichiarati sono stati misurati in conformità a un metodo standard di verifica, e possono essere utilizzati per confrontare un utensile con un altro.

**NOTA:** Il valore o i valori complessivi delle vibrazioni dichiarati possono venire utilizzati anche per una valutazione preliminare dell'esposizione.

**⚠AVVERTIMENTO:** L'emissione delle vibrazioni durante l'utilizzo effettivo dell'utensile elettrico può variare rispetto al valore o ai valori dichiarati, a seconda dei modi in cui viene utilizzato l'utensile, specialmente a seconda di che tipo di pezzo venga lavorato.

**⚠AVVERTIMENTO:** Accertarsi di identificare misure di sicurezza per la protezione dell'operatore che siano basate su una stima dell'esposizione nelle condizioni effettive di utilizzo (tenendo conto di tutte le parti del ciclo operativo, ad esempio del numero di spegnimenti dell'utensile e di quando giri a vuoto, oltre al tempo di attivazione).

## Dichiarazione di conformità CE

*Solo per i paesi europei*

La dichiarazione di conformità CE è inclusa nell'Allegato A al presente manuale di istruzioni.

## AVVERTENZE DI SICUREZZA

### Avvertenze generali relative alla sicurezza dell'utensile elettrico

**⚠AVVERTIMENTO:** Leggere tutte le avvertenze di sicurezza, le istruzioni, le illustrazioni e i dati tecnici forniti con il presente utensile elettrico. La mancata osservanza di tutte le istruzioni elencate di seguito potrebbe risultare in scosse elettriche, incendi e/o gravi lesioni personali.

### Conservare tutte le avvertenze e le istruzioni come riferimento futuro.

Il termine "utensile elettrico" nelle avvertenze si riferisce sia all'utensile elettrico (cablato) nel funzionamento alimentato da rete elettrica che all'utensile elettrico (a batteria) nel funzionamento alimentato a batteria.

### Avvertenze per la sicurezza del seghetto diritto a batteria

1. Tenere l'utensile elettrico per le superfici di impugnatura isolate, quando si esegue un'operazione in cui l'accessorio di taglio potrebbe entrare in contatto con fili elettrici nascosti. Un accessorio di taglio che entri in contatto con un filo elettrico sotto tensione potrebbe mettere sotto tensione le parti metalliche esposte dell'utensile elettrico e causare una scossa elettrica all'operatore.

2. Utilizzare una morsa o un altro sistema pratico per fissare e supportare il pezzo su un piano stabile. Il pezzo tenuto con la mano o contro il corpo resta instabile, e potrebbe causare una perdita di controllo.
3. Portare sempre occhiali o occhialoni di protezione. I comuni occhiali da vista o da sole NON sono occhiali di protezione.
4. Evitare di tagliare chiodi. Ispezionare il pezzo e, in presenza di eventuali chiodi, rimuoverli prima di procedere.
5. Non tagliare pezzi eccessivamente grandi.
6. Verificare che sia presente uno spazio sufficiente dietro il pezzo prima di tagliarlo, in modo che la lama non urti contro il pavimento, il banco da lavoro, e così via.
7. Tenere saldamente l'utensile.
8. Accertarsi che la lama non sia in contatto con il pezzo, prima di attivare l'interruttore.
9. Tenere le mani lontane dalle parti mobili.
10. Non lasciare l'utensile mentre sta funzionando. Far funzionare l'utensile solo mentre lo si tiene in mano.
11. Spegnerne sempre l'utensile e attendere che la lama si sia arrestata completamente, prima di rimuoverla dal pezzo.
12. Non toccare la lama o il pezzo subito dopo l'uso dell'utensile; la loro temperatura potrebbe essere estremamente elevata e potrebbero causare ustioni.
13. Non far funzionare inutilmente l'utensile a vuoto.
14. Usare sempre una mascherina/respiratore adatti al materiale e all'applicazione con cui si lavora.
15. Alcuni materiali contengono sostanze chimiche che potrebbero essere tossiche. Fare attenzione a evitare l'inalazione della polvere e il contatto con la pelle. Attenersi ai dati relativi alla sicurezza del fornitore del materiale.
16. Prima dell'uso, accertarsi che nel pezzo in lavorazione non siano presenti oggetti sepolti, quali canaline elettriche, tubi dell'acqua o tubi del gas. In caso contrario, la lama per seghetto diritto potrebbe toccarli, causando scosse elettriche, dispersioni elettriche o fughe di gas.

## CONSERVARE LE PRESENTI ISTRUZIONI.

**⚠AVVERTIMENTO:** NON lasciare che la comodità o la familiarità d'uso con il prodotto (acquisita con l'uso ripetuto) sostituiscano la stretta osservanza delle norme di sicurezza. L'USO IMPROPRIO o la mancata osservanza delle norme di sicurezza riportate nel presente manuale manuale di istruzioni potrebbero causare lesioni personali gravi.

## Istruzioni di sicurezza importanti per la cartuccia della batteria

1. Prima di utilizzare la cartuccia della batteria, leggere tutte le istruzioni e le avvertenze riportate (1) sul caricabatteria, (2) sulla batteria e (3) sul prodotto che utilizza la batteria.
2. Non smantellare né manomettere la cartuccia della batteria. In caso contrario, si potrebbe causare un incendio, calore eccessivo o un'esplosione.
3. Qualora il tempo di utilizzo si riduca eccessivamente, interrompere immediatamente l'utilizzo dell'utensile. In caso contrario, si può incorrere nel rischio di surriscaldamento, possibili ustioni e persino un'esplosione.
4. Qualora l'elettrolita entri in contatto con gli occhi, sciacquarli con acqua pulita e richiedere immediatamente assistenza medica. Questa eventualità può risultare nella perdita della vista.
5. Non cortocircuitare la cartuccia della batteria:
  - (1) Non toccare i terminali con alcun materiale conduttivo.
  - (2) Evitare di conservare la cartuccia della batteria in un contenitore insieme ad altri oggetti metallici quali chiodi, monete, e così via.
  - (3) Non esporre la cartuccia della batteria all'acqua o alla pioggia.

Un cortocircuito della batteria può causare un grande flusso di corrente, un surriscaldamento, possibili ustioni e persino un guasto.

6. Non conservare l'utensile e la cartuccia della batteria in ubicazioni in cui la temperatura possa raggiungere o superare i 50°C.
7. Non incenerire la cartuccia della batteria anche qualora sia gravemente danneggiata o completamente esaurita. La cartuccia della batteria può esplodere se a contatto con il fuoco.
8. Non inchiodare, tagliare, schiacciare, lanciare o far cadere la cartuccia della batteria, né farla urtare con forza contro un oggetto duro. Questi comportamenti potrebbero risultare in un incendio, calore eccessivo o un'esplosione.
9. Non utilizzare una batteria danneggiata.
10. Le batterie a ioni di litio contenute sono soggette ai requisiti del regolamento sul trasporto di merci pericolose (Dangerous Goods Legislation).

Per trasporti commerciali, ad esempio da parte di terzi o spedizionieri, è necessario osservare dei requisiti speciali sull'imballaggio e sull'etichetta. Per la preparazione dell'articolo da spedire, è richiesta la consulenza di un esperto in materiali pericolosi. Attenersi anche alle normative nazionali, che potrebbero essere più dettagliate. Nasstrare o coprire i contatti aperti e imballare la batteria in modo tale che non si possa muovere liberamente all'interno dell'imballaggio.
11. Quando si intende smaltire la cartuccia della batteria, rimuoverla dall'utensile e smaltirla in un luogo sicuro. Attenersi alle normative locali relative allo smaltimento della batteria.

12. Utilizzare le batterie esclusivamente con i prodotti specificati da Makita. L'installazione delle batterie in prodotti non compatibili potrebbe risultare in incendi, calore eccessivo, esplosioni o perdite di liquido elettrolitico.
13. Se l'utensile non viene utilizzato per un periodo di tempo prolungato, la batteria deve essere rimossa dall'utensile.
14. Durante e dopo l'uso, la cartuccia della batteria potrebbe assorbire calore, che può causare ustioni o ustioni a bassa temperatura. Fare attenzione a come si maneggiano le cartucce delle batterie estremamente calde.
15. Non toccare i terminali dell'utensile subito dopo l'uso, in quanto potrebbero diventare estremamente caldi al punto da causare ustioni.
16. Evitare di far incastrare schegge, polveri o terreno nei terminali, nei fori e nelle scanalature della cartuccia della batteria. In caso contrario, si potrebbero causare prestazioni scadenti o la rottura dell'utensile o della cartuccia della batteria.
17. A meno che l'utensile supporti l'uso in prossimità di linee elettriche ad alta tensione, non utilizzare la cartuccia della batteria in prossimità di linee elettriche ad alta tensione. In caso contrario, si potrebbe causare un malfunzionamento o la rottura dell'utensile o della cartuccia della batteria.

## CONSERVARE LE PRESENTI ISTRUZIONI.

**ATTENZIONE:** Utilizzare solo batterie originali Makita. L'utilizzo di batterie Makita non originali, o di batterie che siano state alterate, potrebbe risultare nello scoppio della batteria, causando incendi, lesioni personali e danni. Inoltre, ciò potrebbe invalidare la garanzia Makita per l'utensile e il caricabatterie Makita.

## Suggerimenti per preservare la durata massima della batteria

1. Caricare la cartuccia della batteria prima che si scarichi completamente. Smettere sempre di utilizzare l'utensile e caricare la cartuccia della batteria quando si nota che la potenza dell'utensile è diminuita.
2. Non ricaricare mai una cartuccia della batteria completamente carica. La sovraccarica riduce la vita utile della batteria.
3. Caricare la cartuccia della batteria a una temperatura ambiente compresa tra 10°C e 40°C. Lasciar raffreddare una cartuccia della batteria prima di caricarla.
4. Quando non si utilizza la cartuccia della batteria, rimuoverla dall'utensile o dal caricabatterie.
5. Caricare la cartuccia della batteria se non la si è utilizzata per un periodo di tempo prolungato (più di sei mesi).

## DESCRIZIONE DELLE FUNZIONI

**⚠ATTENZIONE:** Accertarsi sempre che l'utensile sia spento e che la cartuccia della batteria sia stata rimossa prima di regolare o di controllare il funzionamento dell'utensile.

### Installazione o rimozione della cartuccia della batteria

**⚠ATTENZIONE:** Spegner sempre l'utensile prima di installare o rimuovere la cartuccia della batteria.

**⚠ATTENZIONE:** Mantenere saldamente lo strumento e la batteria quando si intende installare o rimuovere la cartuccia della batteria. Qualora non si mantengano saldamente lo strumento e la cartuccia della batteria, questi ultimi potrebbero scivolare dalle mani, con la possibilità di causare un danneggiamento dello strumento e della cartuccia della batteria, nonché una lesione personale.

► Fig.1: 1. Indicatore rosso 2. Pulsante 3. Cartuccia della batteria

Per rimuovere la cartuccia della batteria, farla scorrere via dall'utensile mentre si fa scorrere allo stesso tempo il pulsante sulla parte anteriore della cartuccia.

Per installare la cartuccia della batteria, allineare l'appendice della batteria con la scanalatura nell'alloggiamento e farla scivolare in sede. Inserirla completamente fino al suo blocco in sede con un leggero scatto. Se è possibile vedere l'indicatore rosso sul lato superiore del pulsante, la batteria non è bloccata completamente.

**⚠ATTENZIONE:** Installare sempre fino in fondo la cartuccia della batteria, fino a quando l'indicatore rosso non è più visibile. In caso contrario, la batteria potrebbe cadere accidentalmente dall'utensile, causando lesioni personali all'operatore o a chi gli è vicino.

**⚠ATTENZIONE:** Non installare forzatamente la cartuccia della batteria. Qualora la batteria non si inserisca scorrendo agevolmente, vuol dire che non viene inserita correttamente.

### Sistema di protezione strumento/batteria

L'utensile è dotato di un sistema di protezione dell'utensile stesso e della batteria. Tale sistema interrompe automaticamente l'alimentazione al motore per prolungare la vita utile dell'utensile e della batteria. L'utensile si arresta automaticamente durante il funzionamento, qualora l'utensile o la batteria vengano a trovarsi in una delle condizioni seguenti:

### Protezione dal sovraccarico

Quando la batteria viene utilizzata in modo tale da causare un assorbimento di corrente elevato in modo anormale, l'utensile si arresta automaticamente senza alcuna indicazione. In questa situazione, spegnere l'utensile e interrompere l'applicazione che ha fatto sovraccaricare l'utensile. Quindi, accendere l'utensile per ricominciare.

### Protezione dal surriscaldamento

Quando l'utensile o la batteria sono surriscaldati, l'utensile si arresta automaticamente e la lampada lampeggia. In tal caso, lasciar raffreddare l'utensile e la batteria prima di riaccendere l'utensile.

### Protezione dalla sovrascarica

Quando la carica delle batterie non è sufficiente, l'utensile si arresta automaticamente, e l'indicatore luminoso lampeggia. In questo caso, rimuovere la batteria dall'utensile e caricarla.

### Indicazione della carica residua della batteria

Premere il pulsante di controllo sulla cartuccia della batteria per indicare la carica residua della batteria. Gli indicatori luminosi si illuminano per alcuni secondi.

► Fig.2: 1. Indicatori luminosi 2. Pulsante di controllo

Indicatori luminosi			Carica residua
■ Illuminato	□ Spento	◐ Lampeggiante	
■ ■ ■ ■			Dal 75% al 100%
■ ■ ■ □			Dal 50% al 75%
■ ■ □ □			Dal 25% al 50%
■ □ □ □			Dallo 0% al 25%
◐ □ □ □			Caricare la batteria.
■ □ □ □	↑ ↓	□ □ ■ ■	La batteria potrebbe essersi guastata.

**NOTA:** A seconda delle condizioni d'uso e della temperatura ambiente, l'indicazione potrebbe variare leggermente rispetto alla carica effettiva.

### Funzionamento dell'interruttore

**⚠ATTENZIONE:** Prima di inserire la cartuccia della batteria nell'utensile, controllare sempre che l'interruttore a grilletto funzioni correttamente e torni sulla posizione "OFF" quando viene rilasciato.

**AVVISO:** Non utilizzare la leva di blocco/modifica della velocità mentre l'utensile è in funzione. In caso contrario, si potrebbe danneggiare l'utensile.

► Fig.3: 1. Leva di blocco/modifica della velocità 2. Interruttore a grilletto 3. Stato della leva di blocco/modifica della velocità


## ► Fig.4

Per avviare l'utensile, premere verso l'interno la leva di blocco/modifica della velocità dal lato A o dal lato B e premere l'interruttore a grilletto.

La velocità dell'utensile aumenta di pari passo con l'aumento della pressione sull'interruttore a grilletto. Per arrestare l'utensile, rilasciare l'interruttore a grilletto.

È possibile modificare la velocità massima dell'utensile su 2 livelli.

- Per l'alta velocità  
Quando la leva di blocco/modifica della velocità viene premuta verso l'interno dal lato A, la velocità della corsa è impostata su "2".
- Per la bassa velocità  
Quando la leva di blocco/modifica della velocità viene premuta verso l'interno dal lato B, la velocità della corsa è impostata su "1".

Quando la leva di blocco/modifica della velocità è sulla posizione  l'utensile è bloccato e non è possibile premere l'interruttore a grilletto.

## Accensione della lampadina anteriore

### ► Fig.5: 1. Lampadina

**ATTENZIONE:** Non osservare né guardare direttamente la fonte di luce.

Premere l'interruttore a grilletto per accendere la lampadina. La lampadina resta accesa fintanto che l'interruttore a grilletto è premuto. La lampadina si spegne circa 10 secondi dopo che si è rilasciato l'interruttore a grilletto.

**NOTA:** Per pulire la sporcizia dalla lente della lampadina, utilizzare un panno asciutto. Fare attenzione a non graffiare la lente della lampadina, altrimenti si potrebbe ridurre l'illuminazione.

**NOTA:** Quando l'utensile è surriscaldato, la lampada lampeggia per un minuto. In questo caso, far raffreddare l'utensile prima di un'ulteriore utilizzo.



## Regolazione della scarpa

Quando la lama per seghetto diritto perde la sua efficienza di taglio in un punto lungo il suo filo, riposizionare la scarpa per utilizzare una parte affilata e inutilizzata del suo filo. Questo aiuta a prolungare la vita utile della lama per seghetto diritto.

È possibile regolare la posizione della scarpa su 6 livelli.


Per riposizionare la scarpa, aprire la leva di regolazione della scarpa e selezionare la posizione appropriata, quindi chiudere la leva di regolazione della scarpa.

► Fig.6: 1. Scarpa 2. Leva di regolazione della scarpa

**AVVISO:** Non è possibile fissare la scarpa qualora venga allungata oltre il segno  del timbro <sup>MAX</sup> → . Non chiudere la foratamente la leva di regolazione della scarpa in tale posizione. In caso contrario, si potrebbe causare la rottura della leva.

**NOTA:** Non è possibile regolare la scarpa senza aprire completamente la leva di regolazione della scarpa.

## Gancio

**ATTENZIONE:** Quando si intende appendere l'utensile, impostare la leva di blocco/modifica della velocità sulla posizione  per bloccare l'interruttore a grilletto. (vedere la sezione intitolata "Utilizzo dell'interruttore").

**ATTENZIONE:** Non appendere mai l'utensile in un'ubicazione elevata o potenzialmente instabile.

### ► Fig.7: 1. Gancio

Il gancio è comodo per appendere temporaneamente l'utensile.

Per utilizzare il gancio, è sufficiente sollevarlo fino a quando scatta nella posizione aperta.

Quando il gancio non è in uso, abbassarlo sempre fino a quando scatta nella posizione chiusa.

## Funzione elettronica

L'utensile è dotato di funzioni elettroniche, per un facile utilizzo.

## Controllo costante della velocità

La funzione di controllo della velocità fornisce una velocità di rotazione costante, indipendentemente dalle condizioni di carico.

## MONTAGGIO

**ATTENZIONE:** Accertarsi sempre che l'utensile sia spento e che la cartuccia della batteria sia stata rimossa, prima di effettuare qualsiasi intervento sull'utensile.

## Installazione o rimozione della lama per seghetto diritto

**ATTENZIONE:** Rimuovere sempre tutti i trucioli e le sostanze estranee attaccati alla lama e intorno al fermo lama. In caso contrario, il serraggio della lama potrebbe risultare insufficiente e causare lesioni personali gravi.

Per installare la lama per seghetto diritto, tirare la leva di rilascio completamente, in modo che la bussola del fermo lama si porti sulla posizione di rilascio, prima di inserire la lama per seghetto diritto.

► Fig.8: 1. Leva di rilascio 2. Bussola del fermo lama 3. Posizione di rilascio 4. Posizione di fissaggio

**NOTA:** Tirare sempre completamente fino in fondo la leva di rilascio. In caso contrario, la bussola del fermo lama non si porta sulla posizione di rilascio, e non è possibile inserire la lama per seghetto diritto.

Inserire fino in fondo la lama per seghetto diritto nella fessura della bussola del fermo lama. La bussola del fermo lama aggancia la lama per seghetto diritto con uno scatto. Accertarsi che la lama per seghetto diritto non possa venire estratta, anche se si cerca di tirarla fuori.

► **Fig.9:** 1. Lama per seghetto diritto 2. Bussola del fermo lama

**ATTENZIONE:** Qualora non si inserisca la lama per seghetto diritto abbastanza a fondo, la lama potrebbe venire espulsa improvvisamente durante l'uso. Ciò potrebbe essere estremamente pericoloso.

Per rimuovere la lama per seghetto diritto, tirare completamente la leva di rilascio nella direzione della freccia.

► **Fig.10:** 1. Lama per seghetto diritto 2. Leva di rilascio

**AVVISO:** Non azionare mai la leva di rilascio quando si sta azionando l'interruttore a grilletto. In caso contrario, si potrebbe causare un malfunzionamento.

## FUNZIONAMENTO

**ATTENZIONE:** Durante l'uso dell'utensile, premere sempre saldamente la scarpa contro il pezzo. Qualora durante l'uso dell'utensile si rimuovesse la scarpa dal pezzo in lavorazione o la si tenesse lontana da quest'ultimo, si produrrebbero forti vibrazioni e/o torsioni che farebbero spezzare pericolosamente la lama.

**ATTENZIONE:** Quando si intende tagliare metalli, indossare sempre dei guanti per proteggere le mani da schegge volanti incandescenti.

**ATTENZIONE:** Indossare sempre una protezione adatta per gli occhi conforme agli standard nazionali correnti.

**ATTENZIONE:** Quando si intende tagliare metalli, utilizzare sempre un refrigerante adatto (olio da taglio). La mancata osservazione di questa avvertenza causa l'usura prematura della lama.

**ATTENZIONE:** Non fare svolazzi con la lama durante il taglio.

Premere saldamente la scarpa contro il pezzo. Non consentire all'utensile di causare dei contraccolpi. Mettere leggermente in contatto la lama per seghetto diritto con il pezzo. Inizialmente, creare una leggera scanalatura di guida, utilizzando una velocità più bassa. Quindi, utilizzare una velocità più alta per proseguire il taglio.

► **Fig.11**

**AVVISO:** Non tagliare il pezzo in lavorazione con la scarpa lontana dal pezzo in lavorazione o senza la scarpa. In caso contrario, si incrementa la forza di reazione, che potrebbe rompere la lama per seghetto diritto.

## MANUTENZIONE

**ATTENZIONE:** Accertarsi sempre che l'utensile sia spento e che la cartuccia della batteria sia stata rimossa prima di tentare di eseguire interventi di ispezione o manutenzione.

**AVVISO:** Non utilizzare mai benzina, benzene, solventi, alcol o altre sostanze simili. In caso contrario, si potrebbero causare scolorimenti, deformazioni o crepe.

Per preservare la SICUREZZA e l'AFFIDABILITÀ del prodotto, le riparazioni e qualsiasi altro intervento di manutenzione e di regolazione devono essere eseguiti da un centro di assistenza autorizzato Makita, utilizzando sempre ricambi Makita.

## ACCESSORI OPZIONALI

**ATTENZIONE:** Questi accessori o componenti aggiuntivi sono consigliati per l'uso con l'utensile Makita specificato nel presente manuale. L'impiego di altri accessori o componenti aggiuntivi può costituire un rischio di lesioni alle persone. Utilizzare gli accessori o i componenti aggiuntivi solo per il loro scopo prefissato.

Per ottenere ulteriori dettagli relativamente a questi accessori, rivolgersi a un centro di assistenza Makita.

- Lame per seghetto diritto
- Batteria e caricabatterie originali Makita

**NOTA:** Alcuni articoli nell'elenco potrebbero essere inclusi nell'imballaggio dell'utensile come accessori standard. Tali articoli potrebbero variare da nazione a nazione.

## TECHNISCHE GEGEVENS

<b>Model:</b>		<b>JR001G</b>
Slaglengte		32 mm
Slagen per minuut	Hoog (2)	0 - 3.000 min <sup>-1</sup>
	Laag (1)	0 - 2.300 min <sup>-1</sup>
Max. zaagcapaciteiten	Pijp	130 mm
	Hout	255 mm
Nominale spanning		Max. 36 V - 40 V gelijkspanning
Totale lengte	met BL4025	457 mm
	met BL4040	472 mm
Nettogewicht		4,2 - 4,5 kg

- In verband met ononderbroken research en ontwikkeling, behouden wij ons het recht voor de bovenstaande technische gegevens zonder voorafgaande kennisgeving te wijzigen.
- De technische gegevens van de accu kunnen van land tot land verschillen.
- Het gewicht kan verschillen afhankelijk van de hulpstukken, waaronder de accu. De lichtste en zwaarste combinatie, overeenkomstig de EPTA-procedure 01/2014, worden getoond in de tabel.

### Toepasselijke accu's en laders

Accu	BL4025/BL4040
Lader	DC40RA

- Sommige van de hierboven vermelde accu's en laders zijn mogelijk niet leverbaar afhankelijk van waar u woont.

**⚠ WAARSCHUWING:** Gebruik uitsluitend de accu's en laders die hierboven worden genoemd. Gebruik van enige andere accu of lader kan leiden tot letsel en/of brand.

### Gebruiksdoelinden

Dit gereedschap is bedoeld voor het zagen van hout, kunststof en ferromaterialen.

### Geluidsniveau

De typische, A-gewogen geluidsniveaus zijn gemeten volgens EN62841-2-11:

Geluidsdruk niveau ( $L_{pA}$ ): 85 dB (A)

Geluidsvermogen niveau ( $L_{WA}$ ): 96 dB (A)

Onzekerheid (K): 3 dB (A)

**OPMERKING:** De opgegeven geluidsemissiewaarde(n) is/zijn gemeten volgens een standaardtestmethode en kan/kunnen worden gebruikt om dit gereedschap te vergelijken met andere gereedschappen.

**OPMERKING:** De opgegeven geluidsemissiewaarde(n) kan/kunnen ook worden gebruikt voor een beoordeling vooraf van de blootstelling.

**⚠ WAARSCHUWING:** Draag gehoorbescherming.

**⚠ WAARSCHUWING:** De geluidsemissie tijdens het gebruik van het elektrisch gereedschap in de praktijk kan verschillen van de opgegeven waarde(n) afhankelijk van de manier waarop het gereedschap wordt gebruikt, met name van het soort werkstuk waarmee wordt gewerkt.

**⚠ WAARSCHUWING:** Zorg ervoor dat veiligheidsmaatregelen worden getroffen ter bescherming van de gebruiker die zijn gebaseerd op een schatting van de blootstelling onder praktijkomstandigheden (rekening houdend met alle fasen van de bedrijfscyclus, zoals de tijdsduur gedurende welke het gereedschap is uitgeschakeld en stationair draait, naast de ingeschakelde tijdsduur).

### Trilling

De totale trillingswaarde (triaxiale vectorsom) zoals vastgesteld volgens EN62841-2-11:

Gebruikstoepassing: zagen van platen

Trillingsemissie ( $a_{h,B}$ ): 18,0 m/s<sup>2</sup>

Onzekerheid (K): 1,5 m/s<sup>2</sup>

Gebruikstoepassing: zagen van houten balken

Trillingsemissie ( $a_{h,WB}$ ): 19,5 m/s<sup>2</sup>

Onzekerheid (K): 2,0 m/s<sup>2</sup>



**OPMERKING:** De totale trillingswaarde(n) is/zijn gemeten volgens een standaardtestmethode en kan/kunnen worden gebruikt om dit gereedschap te vergelijken met andere gereedschappen.

**OPMERKING:** De opgegeven totale trillingswaarde(n) kan/kunnen ook worden gebruikt voor een beoordeling vooraf van de blootstelling.

**⚠️ WAARSCHUWING:** De trillingsemissie tijdens het gebruik van het elektrisch gereedschap in de praktijk kan verschillen van de opgegeven waarde(n) afhankelijk van de manier waarop het gereedschap wordt gebruikt, met name van het soort werkstuk waarmee wordt gewerkt.

**⚠️ WAARSCHUWING:** Zorg ervoor dat veiligheidsmaatregelen worden getroffen ter bescherming van de gebruiker die zijn gebaseerd op een schatting van de blootstelling onder praktijkomstandigheden (rekening houdend met alle fasen van de bedrijfscyclus, zoals de tijdsduur gedurende welke het gereedschap is uitgeschakeld en stationair draait, naast de ingeschakelde tijdsduur).

## EG-verklaring van conformiteit

### *Alleen voor Europese landen*

De EG-verklaring van conformiteit is bijgevoegd als Bijlage A bij deze gebruiksaanwijzing.

# VEILIGHEIDSWAARSCHUWINGEN

## Algemene veiligheidswaarschuwingen voor elektrisch gereedschap

**⚠️ WAARSCHUWING:** Lees alle veiligheidswaarschuwingen, aanwijzingen, afbeeldingen en technische gegevens behorend bij dit elektrische gereedschap aandachtig door. Als u niet alle onderstaande aanwijzingen naleeft, kan dat resulteren in brand, elektrische schokken en/of ernstig letsel.

## Bewaar alle waarschuwingen en instructies om in de toekomst te kunnen raadplegen.

De term "elektrisch gereedschap" in de veiligheidsvoorschriften duidt op gereedschappen die op stroom van het lichtnet werken (met snoer) of gereedschappen met een accu (snoerloos).

## Veiligheidswaarschuwingen voor een accureciprozaag

1. **Houd elektrisch gereedschap vast bij het geïsoleerde oppervlak van de handgrepen wanneer u werkt op plaatsen waar het accessoire in aanraking kan komen met verborgen bedrading.** Wanneer het accessoire in aanraking komt met onder spanning staande draden, zullen de niet-geïsoleerde metalen delen van het gereedschap onder spanning komen te staan zodat de gebruiker een elektrische schok kan krijgen.
2. **Gebruik klemmen of andere bevestigingsmiddelen om het werkstuk op een stabiel platform te bevestigen en te ondersteunen.** Het werkstuk is onstabiel en er is gevaar voor controleverlies wanneer u het werkstuk met de hand vasthoudt of het tegen uw lichaam houdt.
3. **Draag altijd een veiligheidsbril of een beschermbril. Een gewone bril of een zonnebril is GEEN veiligheidsbril.**
4. **Vermijd het zagen op spijkers.** Inspecteer het werkstuk op eventuele spijkers en verwijder ze voordat u begint.
5. **Zaag geen werkstukken die te groot zijn.**
6. **Controleer vooraf of er voldoende ruimte voorbij het werkstuk is, zodat het zaagblad niet tegen de vloer, een werkbank e.d. zal stoten.**
7. **Houd het gereedschap stevig vast.**
8. **Zorg dat het zaagblad het werkstuk niet raakt voordat u de trekschakelaar indrukt.**
9. **Houd uw handen uit de buurt van bewegende delen.**
10. **Laat het gereedschap niet draaiend achter. Schakel het gereedschap alleen in wanneer u het stevig vasthoudt.**
11. **Schakel het gereedschap uit en wacht totdat het zaagblad volledig tot stilstand is gekomen alvorens het zaagblad van het werkstuk te verwijderen.**
12. **Raak het zaagblad of het werkstuk niet aan onmiddellijk na het werk; deze kunnen gloeiend heet zijn en brandwonden veroorzaken.**
13. **Laat het gereedschap niet onbelast draaien wanneer zulks niet nodig is.**
14. **Draag altijd het stofmasker/gasmasker dat geschikt is voor het materiaal en de toepassing waarmee u werkt.**
15. **Bepaalde materialen kunnen giftige chemicaliën bevatten. Vermijd contact met uw huid en zorg dat u geen stof inademt. Volg de veiligheidsvoorschriften van de fabrikant van het materiaal.**
16. **Verzeker u er vóór gebruik van dat er geen verborgen voorwerpen, zoals elektriciteits-, water- en gasleidingen, in het werkstuk zitten.** Anders kan het reciprozaagblad deze raken, waardoor een elektrische schok, lekstroom of gaslek kan ontstaan.

## BEWAAR DEZE VOORSCHRIFTEN.



**⚠️ WAARSCHUWING:** Laat u NIET misleiden door een vals gevoel van comfort en bekendheid met het gereedschap (na veelvuldig gebruik) en neem alle veiligheidsvoorschriften van het betreffende gereedschap altijd strikt in acht. **VERKEERD GEBRUIK** of het niet naleven van de veiligheidsvoorschriften in deze gebruiksaanwijzing kan leiden tot ernstig letsel.

## Belangrijke veiligheidsinstructies voor een accu

1. Lees alle voorschriften en waarschuwingen op (1) de acculader, (2) de accu, en (3) het product waarvoor de accu wordt gebruikt, alvorens de accu in gebruik te nemen.
2. Haal de accu niet uit elkaar en saboteer hem niet. Dit kan leiden tot brand, buitensporige hitte of een explosie.
3. Als de gebruikstijd van een opgeladen accu aanzienlijk korter is geworden, moet u het gebruik ervan onmiddellijk stopzetten. Voortgezet gebruik kan oververhitting, brandwonden en zelfs een ontploffing veroorzaken.
4. Als elektrolyt in uw ogen is terechtgekomen, spoelt u uw ogen met schoon water en roept u onmiddellijk de hulp van een dokter in. Elektrolyt in de ogen kan blindheid veroorzaken.
5. Voorkom kortsluiting van de accu:
  - (1) Raak de accuklemmen nooit aan met een geleidend materiaal.
  - (2) Bewaar de accu niet in een bak waarin andere metalen voorwerpen zoals spijkers, munten e.d. worden bewaard.
  - (3) Stel de accu niet bloot aan water of regen. Kortsluiting van de accu kan oorzaak zijn van een grote stroomafgifte, oververhitting, brandwonden, en zelfs defecten.
6. Bewaar het gereedschap en de accu niet op plaatsen waar de temperatuur kan oplopen tot 50°C of hoger.
7. Werp de accu nooit in het vuur, ook niet wanneer hij zwaar beschadigd of volledig versleten is. De accu kan ontploffen in het vuur.
8. Laat de accu niet vallen, sla er geen spijker in, snijd er niet in, gooi er niet mee en stoot hem niet tegen een hard voorwerp. Dergelijke handelingen kunnen leiden tot brand, buitensporige hitte of een explosie.
9. Gebruik nooit een beschadigde accu.
10. De bijgeleverde lithium-ionbatterijen zijn onderhevig aan de vereisten in de wetgeving omtrent gevaarlijke stoffen.

Voor commercieel transport en dergelijke door derden en transporteurs moeten speciale vereisten ten aanzien van verpakking en etikettering worden nageleefd.

Als voorbereiding van het artikel dat wordt getransporteerd is het noodzakelijk een expert op het gebied van gevaarlijke stoffen te raadplegen. Houd u tevens aan mogelijk strengere nationale regelgeving. Blootliggende contactpunten moeten worden afgedekt met tape en de accu moet zodanig worden verpakt dat deze niet kan bewegen in de verpakking.

11. Wanneer u de accu wilt weggooien, verwijdert u de accu vanaf het gereedschap en gooit u hem op een veilige manier weg. Volg bij het weggooien van de accu de plaatselijke voorschriften.
12. Gebruik de accu's uitsluitend met de gereedschappen die door Makita zijn aanbevolen. Als de accu's worden aangebracht in niet-compatibele gereedschappen, kan dat leiden tot brand, buitensporige warmteontwikkeling, een explosie of lekkage van elektrolyt.
13. Als u het gereedschap gedurende een lange tijd niet denkt te gaan gebruiken, moet de accu vanaf het gereedschap worden verwijderd.
14. Tijdens en na gebruik, kan de accu heet worden waardoor brandwonden of koude brandwonden kunnen worden veroorzaakt. Wees voorzichtig bij het hanteren van een hete accu.
15. Raak de aansluitpunten van het gereedschap niet onmiddellijk na gebruik aan omdat deze heel genoeg kunnen zijn om brandwonden te veroorzaken.
16. Zorg ervoor dat geen steenslag, stof of grond vast komt te zitten op/in de aansluitpunten, openingen en groeven van de accu. Dit kan leiden tot slechte prestaties of een defect van het gereedschap of de accu.
17. Behalve indien gebruik van het gereedschap is toegestaan in de buurt van hoogspanningsleidingen, mag u de accu niet gebruiken in de buurt van een hoogspanningsleiding. Dit kan leiden tot een storing of een defect van het gereedschap of de accu.

## BEWAAR DEZE INSTRUCTIES.

**⚠️ LET OP:** Gebruik uitsluitend originele Makita accu's. Het gebruik van niet-originele accu's, of accu's die zijn gewijzigd, kan ertoe leiden dat de accu ontploft en brand, persoonlijk letsel en schade veroorzaakt. Ook vervalt daarmee de garantie van Makita op het gereedschap en de lader van Makita.

## Tips voor een maximale levensduur van de accu

1. Laad de accu op voordat hij volledig ontladen is. Stop het gebruik van het gereedschap en laad de accu op telkens wanneer u vaststelt dat het vermogen van het gereedschap is afgenomen.
2. Laad een volledig opgeladen accu nooit opnieuw op. Te lang opladen verkort de levensduur van de accu.
3. Laad de accu op bij een omgevingstemperatuur tussen 10°C en 40°C. Laat een warme accu afkoelen alvorens hem op te laden.
4. Als de accu niet wordt gebruikt, verwijdert u hem vanaf het gereedschap of de lader.
5. Laad de accu op als u deze gedurende een lange tijd (meer dan zes maanden) niet gaat gebruiken.

# BESCHRIJVING VAN DE FUNCTIES

**⚠ LET OP:** Zorg altijd dat het gereedschap is uitgeschakeld en de accu ervan is verwijderd alvorens de functies op het gereedschap af te stellen of te controleren.

## De accu aanbrengen en verwijderen

**⚠ LET OP:** Schakel het gereedschap altijd uit voordat u de accu aanbrengt of verwijderd.

**⚠ LET OP:** Houd het gereedschap en de accu stevig vast tijdens het aanbrengen of verwijderen van de accu. Als u het gereedschap en de accu niet stevig vasthoudt, kunnen deze uit uw handen glijpen en het gereedschap of de accu beschadigen, of kan persoonlijk letsel worden veroorzaakt.

► Fig. 1: 1. Rood deel 2. Knop 3. Accu

Om de accu te verwijderen verschuift u de knop aan de voorkant van de accu en schuift u tegelijkertijd de accu uit het gereedschap.

Om de accu aan te brengen lijnt u de lip op de accu uit met de groef in de behuizing en duwt u de accu op zijn plaats. Steek de accu zo ver mogelijk in het gereedschap tot u een klinkgeluid hoort. Als u het rode deel aan de bovenkant van de knop kunt zien, is de accu niet goed aangebracht.

**⚠ LET OP:** Breng de accu altijd helemaal aan totdat het rode deel niet meer zichtbaar is. Als u dit niet doet, kan de accu per ongeluk uit het gereedschap vallen en u of anderen in uw omgeving verwonden.

**⚠ LET OP:** Breng de accu niet met kracht aan. Als de accu niet gemakkelijk in het gereedschap kan worden geschoven, wordt deze niet goed aangebracht.

## Gereedschap-/accubeveiligingssysteem

Het gereedschap is voorzien van een gereedschap-/accubeveiligingssysteem. Dit systeem schakelt automatisch de voeding naar de motor uit om de levensduur van het gereedschap en de accu te verlengen. Het gereedschap kan tijdens het gebruik automatisch stoppen als het gereedschap of de accu aan één van de volgende omstandigheden wordt blootgesteld:

### Overbelastingsbeveiliging

Als de accu wordt gebruikt op een manier die ertoe leidt dat een abnormaal hoge stroomsterkte wordt getrokken, stopt het gereedschap automatisch zonder enige aanduiding. In dat geval schakelt u het gereedschap uit en stopt u met het gebruik dat er toe leidde dat het gereedschap overbelast raakte. Schakel vervolgens het gereedschap in om weer te starten.

## Oververhittingsbeveiliging

Wanneer het gereedschap of de accu oververhit is, stopt het gereedschap automatisch en knippert de lamp. In dat geval laat u het gereedschap en de accu afkoelen, voordat u het gereedschap opnieuw inschakelt.

## Beveiliging tegen te ver ontladen

Als de acculading onvoldoende is, stopt het gereedschap automatisch en knippert de lamp. In dat geval verwijderd u de accu vanaf het gereedschap en laadt u de accu op.

## De resterende acculading controleren

Druk op de testknop op de accu om de resterende acculading te zien. De indicatorlampjes branden gedurende enkele seconden.

► Fig. 2: 1. Indicatorlampjes 2. Testknop

Indicatorlampjes			Resterende acculading
Brandt	Uit	Knippert	
■	□	▩	75% tot 100%
■	■	■	50% tot 75%
■	■	□	25% tot 50%
■	□	□	0% tot 25%
▩	□	□	Laad de accu op.
■	■	□	Er kan een storing zijn opgetreden in de accu.
□	□	■	

**OPMERKING:** Afhankelijk van de gebruiksomstandigheden en de omgevingstemperatuur, is het mogelijk dat de aangegeven acculading verschilt van de werkelijke acculading.

## De trekkerschakelaar gebruiken

**⚠ LET OP:** Alvorens de accu in het gereedschap te plaatsen, moet u altijd controleren of de trekkerschakelaar goed werkt en bij het loslaten terugkeert naar de stand "OFF".

**KENNISGEVING:** Gebruik de vergrendel-/toerenalwisselknop niet terwijl het gereedschap in werking is. Het gereedschap kan worden beschadigd.

► Fig. 3: 1. Vergrendel-/toerenalwisselknop 2. Trekkerschakelaar 3. Status van de vergrendel-/toerenalwisselknop


#### ► Fig.4

Om het gereedschap te starten, duwt u tegen de vergrendel-/toerentalwisselknop vanaf kant A of B en knijpt u de trekkerschakelaar in.

Hoe harder u de trekkerschakelaar inknijpt, hoe sneller het gereedschap draait. Laat de trekkerschakelaar los om het gereedschap te stoppen.

Het toerental van het gereedschap kan worden ingesteld in 2 standen.

- Voor een hoog toerental  
Wanneer vanaf kant A tegen de vergrendel-/toerentalwisselknop wordt gedruwd, staat het aantal slagen ingesteld op stand "2".
- Voor een laag toerental  
Wanneer vanaf kant B tegen de vergrendel-/toerentalwisselknop wordt gedruwd, staat het aantal slagen ingesteld op stand "1".

Wanneer de vergrendel-/toerentalwisselknop in de stand  staat, is het gereedschap vergrendeld en kan de trekkerschakelaar niet worden ingeknepen.

### De lamp op de voorkant gebruiken

#### ► Fig.5: 1. Lamp

**▲LET OP:** Kijk niet direct in het lamplicht of in de lichtbron.

Knijp de trekkerschakelaar in om de lamp in te schakelen. De lamp blijft branden zo lang de trekkerschakelaar wordt ingeknepen. Ongeveer 10 seconden nadat u de trekkerschakelaar hebt losgelaten, gaat de lamp uit.

**OPMERKING:** Gebruik een droge doek om vuil van de lens van de lamp af te vegen. Wees voorzichtig dat u de lens van de lamp niet bekrast omdat dan de verlichting minder wordt.

**OPMERKING:** Als het gereedschap oververhit is, knippert de lamp gedurende één minuut. Laat in dat geval het gereedschap afkoelen voordat u het weer gebruikt.

### De schoen afstellen

Wanneer een gedeelte van de zaagrand van het reciprozaagblad niet meer goed zaagt, dient u de positie van de schoen te veranderen om een ongebruikt scherp gedeelte van de zaagrand te gebruiken. Het reciprozaagblad zal dan langer meegaan.

De positie van de schoen kan in 6 standen worden afgesteld.

Om de positie van de schoen te veranderen, opent u de schoenafstelhendel, kiest u de gewenste stand en sluit u de schoenafstelhendel.

► Fig.6: 1. Schoen 2. Schoenafstelhendel

**KENNISGEVING:** De schoen kan niet worden vastgezet als de verder uitsteekt dan het teken  van de gestanste markering **MAX** → 1. Sluit de schoenafstelhendel niet met kracht in een dergelijke stand. Hierdoor kan de hendel breken.

**OPMERKING:** De schoen kan niet worden afgesteld zonder eerst de schoenafstelhendel helemaal te openen.

### Haak

**▲LET OP:** Wanneer u het gereedschap ophangt, zet u de vergrendel-/toerentalwisselknop in de stand  om de trekkerschakelaar te vergrendelen. (Zie de paragraaf "Werking van de schakelaar gebruiken".)

**▲LET OP:** Hang het gereedschap nooit op een hoge of mogelijk instabiele plaats.

#### ► Fig.7: 1. Haak

De haak is handig om het gereedschap tijdelijk op te hangen. Om de haak te gebruiken, tilt u de haak op tot hij vastklikt in de geopende stand.

Als u de haak niet gebruikt, duwt u de haak omlaag tot hij vastklikt in de gesloten stand.

### Elektronische functies

Het gereedschap is uitgerust met elektronische functies voor een eenvoudige bediening.

### Constant-toerentalregeling

De toerentalregelfunctie zorgt voor een constant toerental ongeacht de belastingsomstandigheden.

## MONTAGE

**▲LET OP:** Zorg altijd dat het gereedschap is uitgeschakeld en de accu ervan is verwijderd alvorens enig werk aan het gereedschap uit te voeren.

### Het reciprozaagblad aanbrengen of verwijderen

**▲LET OP:** Verwijder altijd alle spaanders en verontreinigingen die aan het zaagblad en rondom de zaagbladklem zitten. Indien u dit niet doet, zal het zaagblad niet goed vastgezet zijn, hetgeen ernstige verwonding kan veroorzaken.

Om het reciprozaagblad aan te brengen, trekt u de ontgrendelhendel helemaal tot in zijn eindstand zodat de zaagbladklem in de ontgrendelde stand komt te staan voordat u het reciprozaagblad erin steekt.

► Fig.8: 1. Ontgrendelhendel 2. Zaagbladklem 3. Ontgrendelde stand 4. Vergrendelde stand

**OPMERKING:** Trek de ontgrendelhendel altijd helemaal tot in zijn eindstand. Als u dat niet doet, komt de zaagbladklem niet in de ontgrendelde stand te staan en kan het reciprozaagblad niet erin worden gestoken.

Steek het reciprozaagblad zo ver mogelijk in de gleuf van de zaagbladklem. De zaagbladklem vergrendelt het reciprozaagblad met een klik. Controleer of het reciprozaagblad niet eruit komt wanneer u eraan trekt.

► Fig.9: 1. Reciprozaagblad 2. Zaagbladklem

**⚠ LET OP:** Als het reciprozaagblad niet diep genoeg erin zit, kan het reciprozaagblad tijdens het zagen onverwachts eruit geworpen worden. Dit kan uitermate gevaarlijk zijn.

Om het reciprozaagblad te verwijderen, trekt u de ontgrendelhendel zo ver mogelijk in de richting van de pijl.

► Fig.10: 1. Reciprozaagblad 2. Ontgrendelhendel

**KENNISGEVING:** Bedien de ontgrendelhendel nooit terwijl de trekkerschakelaar wordt ingeknepen. Als u dit toch doet, kan een storing worden veroorzaakt.

## BEDIENING

**⚠ LET OP:** Druk tijdens het zagen de schoen altijd flink tegen het werkstuk aan. Als u tijdens het zagen de schoen niet tegen het werkstuk drukt, zal het zaagblad sterk gaan trillen en/of verdraaien, waardoor het zaagblad kan breken, hetgeen zeer gevaarlijk is.

**⚠ LET OP:** Trek voor zagen in metaal altijd handschoenen aan om uw handen te beschermen tegen wegvliegende hete metaaldeeltjes.

**⚠ LET OP:** Draag altijd geschikte oogbescherming die voldoet aan de geldende plaatselijke normen.

**⚠ LET OP:** Gebruik voor zagen in metaal altijd een geschikt koelmiddel (snijolie). Laat u dit na dan zal de gebruiksduur van het zaagblad voortijdig worden verkort.

**⚠ LET OP:** Twist het zaagblad niet tijdens het zagen.

Druk de schoen flink tegen het werkstuk aan. Zorg ervoor dat het gereedschap geen schokken maakt. Breng het reciprozaagblad licht in contact met het werkstuk. Maak eerst op lage zaagsnelheid een geleide-groef. U kunt daarna met hogere snelheid verder zagen.  
► Fig.11

**KENNISGEVING:** Zaag het werkstuk niet met de schoen op enige afstand van het werkstuk of zonder de schoen. Als u dit doet, wordt de reactiekracht groter, waardoor het reciprozaagblad kan breken.

## ONDERHOUD

**⚠ LET OP:** Zorg altijd dat het gereedschap is uitgeschakeld en de accu ervan is verwijderd alvorens te beginnen met onderhoud of inspectie.

**KENNISGEVING:** Gebruik nooit benzine, wasbenzine, thinner, alcohol en dergelijke. Hierdoor kunnen verkleuring, vervormingen en barsten worden veroorzaakt.

Om de VEILIGHEID en BETROUWBAARHEID van het gereedschap te handhaven, dienen alle reparaties, onderhoud of afstellingen te worden uitgevoerd bij een erkend Makita-servicecentrum of de Makita-fabriek, en altijd met gebruik van Makita-vervangingsonderdelen.

## OPTIONELE ACCESSOIRES

**⚠ LET OP:** Deze accessoires of hulpstukken worden aanbevolen voor gebruik met het Makita gereedschap dat in deze gebruiksaanwijzing is beschreven. Bij gebruik van andere accessoires of hulpstukken bestaat het gevaar van persoonlijke letsel. Gebruik de accessoires of hulpstukken uitsluitend voor hun bestemde doel.

Went u meer bijzonderheden over deze accessoires, neem dan contact op met het plaatselijke Makita-servicecentrum.

- Reciprozaagbladen
- Originele Makita accu's en acculaders

**OPMERKING:** Sommige items op de lijst kunnen zijn inbegrepen in de doos van het gereedschap als standaard toebehoren. Deze kunnen van land tot land verschillen.

## ESPECIFICACIONES

<b>Modelo:</b>		<b>JR001G</b>
Longitud de carrera		32 mm
Carreras por minuto	Altas (2)	0 - 3.000 min <sup>-1</sup>
	Bajas (1)	0 - 2.300 min <sup>-1</sup>
Capacidades máximas de corte	Tubería	130 mm
	Madera	255 mm
Tensión nominal		36 V - 40 V CC máx.
Longitud total	con BL4025	457 mm
	con BL4040	472 mm
Peso neto		4,2 - 4,5 kg

- Debido a nuestro continuado programa de investigación y desarrollo, las especificaciones aquí dadas están sujetas a cambios sin previo aviso.
- Las especificaciones y el cartucho de batería pueden diferir de país a país.
- El peso puede variar dependiendo del accesorio(s), incluyendo el cartucho de batería. La combinación menos pesada y la más pesada, de acuerdo con el procedimiento EPTA 01/2014, se muestran en la tabla.

### Cartucho de batería y cargador aplicables

Cartucho de batería	BL4025 / BL4040
Cargador	DC40RA

- Algunos de los cartuchos de batería y cargadores indicados arriba puede que no estén disponibles dependiendo de su región de residencia.

**⚠ADVERTENCIA:** Utilice solamente los cartuchos de batería y cargadores indicados arriba. La utilización de cualquier otro cartucho de batería y cargador puede ocasionar heridas y/o un incendio.

### Uso previsto

La herramienta ha sido prevista para serrar madera, plástico y materiales ferrosos.

### Ruido

El nivel de ruido A-ponderado típico determinado de acuerdo con la norma EN62841-2-11:

Nivel de presión sonora ( $L_{pA}$ ) : 85 dB (A)

Nivel de potencia sonora ( $L_{WA}$ ) : 96 dB (A)

Error (K) : 3 dB (A)

**NOTA:** El valor (o los valores) de emisión de ruido declarado ha sido medido de acuerdo con un método de prueba estándar y se puede utilizar para comparar una herramienta con otra.

**NOTA:** El valor (o valores) de emisión de ruido declarado también se puede utilizar en una valoración preliminar de exposición.

**⚠ADVERTENCIA:** Póngase protectores para oídos.

**⚠ADVERTENCIA:** La emisión de ruido durante la utilización real de la herramienta eléctrica puede variar del valor (o los valores) de emisión declarado dependiendo de las formas en las que la herramienta sea utilizada, especialmente qué tipo de pieza de trabajo se procesa.

**⚠ADVERTENCIA:** Asegúrese de identificar medidas de seguridad para proteger al operario que estén basadas en una estimación de la exposición en las condiciones reales de utilización (teniendo en cuenta todas las partes del ciclo operativo como las veces cuando la herramienta está apagada y cuando está funcionando en vacío además del tiempo de gatillo).

### Vibración

El valor total de la vibración (suma de vectores triaxiales) determinado de acuerdo con la norma EN62841-2-11:

Modo de trabajo: corte de tableros

Emisión de vibración ( $a_{h,B}$ ): 18,0 m/s<sup>2</sup>

Error (K) : 1,5 m/s<sup>2</sup>

Modo de trabajo: corte de travesaños de madera

Emisión de vibración ( $a_{h,WB}$ ) 19,5 m/s<sup>2</sup>

Error (K) : 2,0m/s<sup>2</sup>

**NOTA:** El valor (o los valores) total de emisión de vibración declarado ha sido medido de acuerdo con un método de prueba estándar y se puede utilizar para comparar una herramienta con otra.

**NOTA:** El valor (o los valores) total de emisión de vibración declarado también se puede utilizar en una valoración preliminar de exposición.

**⚠️ ADVERTENCIA:** La emisión de vibración durante la utilización real de la herramienta eléctrica puede variar del valor (o los valores) de emisión declarado dependiendo de las formas en las que la herramienta sea utilizada, especialmente qué tipo de pieza de trabajo se procesa.

**⚠️ ADVERTENCIA:** Asegúrese de identificar medidas de seguridad para proteger al operario que estén basadas en una estimación de la exposición en las condiciones reales de utilización (teniendo en cuenta todas las partes del ciclo operativo como las veces cuando la herramienta está apagada y cuando está funcionando en vacío además del tiempo de gatillo).

## Declaración CE de conformidad

### Para países europeos solamente

La declaración CE de conformidad está incluida como Anexo A de esta manual de instrucciones.

## ADVERTENCIAS DE SEGURIDAD

### Advertencias de seguridad para herramientas eléctricas en general

**⚠️ ADVERTENCIA:** Lea todas las advertencias de seguridad, instrucciones, ilustraciones y especificaciones provistas con esta herramienta eléctrica. Si no sigue todas las instrucciones indicadas abajo podrá resultar en una descarga eléctrica, un incendio y/o heridas graves.

### Guarde todas las advertencias e instrucciones para futuras referencias.

El término "herramienta eléctrica" en las advertencias se refiere a su herramienta eléctrica de funcionamiento con conexión a la red eléctrica (con cable) o herramienta eléctrica de funcionamiento a batería (sin cable).

### Advertencias de seguridad para la sierra recíproca inalámbrica

1. Cuando realice una operación en la que el accesorio de corte pueda entrar en contacto con cableado oculto, sujete la herramienta eléctrica por las superficies de aislamiento aisladas. El contacto del accesorio de corte con un cable con corriente hará que la corriente circule por las partes metálicas expuestas de la herramienta eléctrica y podrá soltar una descarga eléctrica al operario.

2. Utilice mordazas u otros medios de sujeción prácticos para sujetar y apoyar la pieza de trabajo en una plataforma estable. Sujetada con la mano o contra su cuerpo, la pieza de trabajo estará inestable y podrá ocasionar la pérdida del control.
3. Utilice siempre gafas de seguridad o pantalla facial. Las gafas normales o de sol NO son gafas de seguridad.
4. Evite cortar clavos. Inspeccione la pieza de trabajo por si tiene algún clavo y retírelos antes de empezar la operación.
5. No corte piezas de trabajo sobredimensionadas.
6. Compruebe que hay espacio suficiente debajo de la pieza de trabajo antes de cortar, de forma que la hoja de sierra no golpee contra el suelo, el banco de trabajo, etc.
7. Sujete la herramienta firmemente.
8. Asegúrese de que la hoja de sierra no está tocando la pieza de trabajo antes de activar el interruptor.
9. Mantenga las manos alejadas de las partes en movimiento.
10. No deje la herramienta en marcha. Tenga en marcha la herramienta solamente cuando la tenga en la mano.
11. Apague siempre la herramienta y espere hasta que la hoja de sierra se haya parado completamente antes de retirar la hoja de sierra de la pieza de trabajo.
12. No toque la hoja de sierra o la pieza de trabajo inmediatamente después de la operación; podrían estar muy calientes y quemarle la piel.
13. No utilice la herramienta en vacío innecesariamente.
14. Utilice siempre la mascarilla contra el polvo/respirador correcto para el material y la aplicación con que esté trabajando.
15. Algunos materiales contienen sustancias químicas que pueden ser tóxicas. Tenga precaución para evitar la inhalación de polvo y el contacto con la piel. Siga los datos de seguridad del abastecedor del material.
16. Antes de la operación, asegúrese de que no hay objetos enterrados como tubos de cables eléctricos, tuberías de agua o tuberías de gas en la pieza de trabajo. De lo contrario, la hoja de sierra recíproca podrá tocarlos, resultando en una descarga eléctrica, fuga eléctrica o fuga de gas.

## GUARDE ESTAS INSTRUCCIONES.

**⚠️ ADVERTENCIA:** NO deje que la comodidad o familiaridad con el producto (a base de utilizarlo repetidamente) sustituya la estricta observancia de las normas de seguridad para el producto en cuestión. El MAL USO o el no seguir las normas de seguridad establecidas en este manual de instrucciones podrá ocasionar heridas personales graves.



## Instrucciones de seguridad importantes para el cartucho de batería

1. Antes de utilizar el cartucho de batería, lea todas las instrucciones e indicaciones de precaución sobre (1) el cargador de baterías, (2) la batería, y (3) el producto con el que se utiliza la batería.
2. No desensamble ni manipule el cartucho de batería. Podrá resultar en un incendio, calor excesivo, o una explosión.
3. Si el tiempo de uso se acorta demasiado, cese la operación inmediatamente. Podría resultar en un riesgo de recalentamiento, posibles quemaduras e incluso una explosión.
4. Si entra electrólito en sus ojos, aclárelos con agua limpia y acuda a un médico inmediatamente. Existe el riesgo de poder perder la vista.
5. No cortocircuite el cartucho de batería:
  - (1) No toque los terminales con ningún material conductor.
  - (2) Evite guardar el cartucho de batería en un cajón junto con otros objetos metálicos, como clavos, monedas, etc.
  - (3) No exponga el cartucho de batería al agua ni a la lluvia.

Un cortocircuito en la batería puede producir una gran circulación de corriente, un recalentamiento, posibles quemaduras e incluso una rotura de la misma.
6. No guarde la herramienta y el cartucho de batería en lugares donde la temperatura pueda alcanzar o exceder los 50 °C.
7. Nunca incinere el cartucho de batería incluso en el caso de que esté dañado seriamente o ya no sirva en absoluto. El cartucho de batería puede explotar si se tira al fuego.
8. No clave, corte, aplaste, lance, deje caer el cartucho de batería, ni golpee contra un objeto duro el cartucho de batería. Tal conducta podrá resultar en un incendio, calor excesivo, o una explosión.
9. No utilice una batería dañada.
10. Las baterías de litio-ion contenidas están sujetas a los requisitos de la Legislación para Materiales Peligrosos.

Para transportes comerciales, p.ej., por terceras personas y agentes de transportes, se deberán observar requisitos especiales para el empaquetado y etiquetado.

Para la preparación del artículo que se va a enviar, se requiere consultar con un experto en materiales peligrosos. Por favor, observe también la posibilidad de reglamentos nacionales más detallados.

Cubra con cinta aislante o enmascare los contactos expuestos y empaquete la batería de tal manera que no se pueda mover alrededor dentro del embalaje.
11. Para desechar el cartucho de batería, retírelo de la herramienta y deséchelo en un lugar seguro. Siga los reglamentos locales referentes al desecho de la batería.
12. Utilice las baterías solamente con los productos especificados por Makita. La instalación de las baterías en productos no compatibles puede resultar en un incendio, calor excesivo, explosión, o fuga de electrólito.
13. Si la herramienta no va a ser utilizada durante un periodo de tiempo largo, la batería deberá ser retirada de la herramienta.
14. Durante y después de la utilización, el cartucho de batería podrá acumular calor, lo cual puede ocasionar quemaduras o quemaduras de baja temperatura. Preste atención al manejo de cartuchos de batería calientes.
15. No toque el terminal de la herramienta inmediatamente después de utilizar, dado que puede calentarse lo suficiente como para ocasionar quemaduras.
16. No permita que virutas, polvo, o tierra se adhieran dentro de los terminales, orificios, y ranuras del cartucho de batería. Podría resultar en un mal rendimiento o rotura de la herramienta o el cartucho de batería.
17. A menos que la herramienta pueda utilizarse cerca de cables eléctricos de alta tensión, no utilice el cartucho de batería cerca de cables eléctricos de alta tensión. Podrá resultar en un mal funcionamiento o rotura de la herramienta o el cartucho de batería.

## GUARDE ESTAS INSTRUCCIONES.

**⚠PRECAUCIÓN:** Utilice solamente baterías genuinas de Makita. La utilización de baterías no genuinas de Makita, o baterías que han sido alteradas, puede resultar en una explosión de la batería ocasionando incendios, heridas personales y daños. También anulará la garantía de Makita para la herramienta y el cargador de Makita.

## Consejos para alargar al máximo la vida de servicio de la batería

1. Cargue el cartucho de batería antes de que se descargue completamente. Detenga siempre la operación y cargue el cartucho de batería cuando note menos potencia en la herramienta.
2. No cargue nunca un cartucho de batería que esté completamente cargado. La sobrecarga acortará la vida de servicio de la batería.
3. Cargue el cartucho de batería a temperatura ambiente de 10 °C - 40 °C. Si un cartucho de batería está caliente, déjelo enfriar antes de cargarlo.
4. Cuando no esté utilizando el cartucho de batería, retírelo de la herramienta o del cargador.
5. Cargue el cartucho de batería si no lo utiliza durante un periodo de tiempo prolongado (más de seis meses).

## DESCRIPCIÓN DEL FUNCIONAMIENTO

**⚠️ PRECAUCIÓN:** Asegúrese siempre de que la herramienta esté apagada y el cartucho de batería retirado antes de realizar cualquier ajuste o comprobación en la herramienta.

### Instalación o extracción del cartucho de batería

**⚠️ PRECAUCIÓN:** Apague siempre la herramienta antes de instalar o retirar el cartucho de batería.

**⚠️ PRECAUCIÓN:** Sujete la herramienta y el cartucho de batería firmemente cuando instale o retire el cartucho de batería. Si no sujeta la herramienta y el cartucho de batería firmemente podrán caérsele de las manos y resultar en daños a la herramienta y al cartucho de batería y heridas personales.

► Fig.1: 1. Indicador rojo 2. Botón 3. Cartucho de batería

Para retirar el cartucho de batería, deslícelo de la herramienta mientras desliza el botón de la parte frontal del cartucho.

Para instalar el cartucho de batería, alinee la lengüeta del cartucho de batería con la ranura de la carcasa y deslícelo hasta que encaje en su sitio. Insértelo a tope hasta que se bloquee en su sitio produciendo un pequeño chasquido. Si puede ver el indicador rojo en el lado superior del botón, no estará bloqueado completamente.

**⚠️ PRECAUCIÓN:** Instale siempre el cartucho de batería completamente hasta que no pueda verse el indicador rojo. En caso contrario, podrá caerse accidentalmente de la herramienta y ocasionarle heridas a usted o a alguien que esté cerca de usted.

**⚠️ PRECAUCIÓN:** No instale el cartucho de batería empleando fuerza. Si el cartucho no se desliza al interior fácilmente, será porque no está siendo insertado correctamente.

### Sistema de protección de la herramienta / batería

La herramienta está equipada con un sistema de protección de la herramienta/batería. Este sistema corta automáticamente la alimentación al motor para alargar la vida de servicio de la herramienta y la batería. La herramienta se detendrá automáticamente durante la operación si la herramienta o la batería es puesta en una de las condiciones siguientes:

#### Protección contra sobrecarga

Cuando la batería sea operada de manera que le haga extraer una corriente anormalmente alta, la herramienta se detendrá automáticamente sin ninguna indicación. En esta situación, apague la herramienta y detenga la aplicación que ocasiona la sobrecarga de la herramienta. Después encienda la herramienta para volver a empezar.

#### Protección contra el recalentamiento

Cuando la herramienta o la batería se recalienta, la herramienta se detiene automáticamente y la lámpara parpadea. En este caso, deje que la herramienta y la batería se enfrien antes de encender la herramienta otra vez.

#### Protección contra descarga excesiva

Cuando la capacidad de batería no sea suficiente, la herramienta se detendrá automáticamente y la lámpara parpadeará. En este caso, retire la batería de la herramienta y cargue la batería.

#### Modo de indicar la capacidad de batería restante

Presione el botón de comprobación en el cartucho de batería para indicar la capacidad de batería restante. Las lámparas indicadoras se iluminan durante unos pocos segundos.

► Fig.2: 1. Lámparas indicadoras 2. Botón de comprobación

Lámparas indicadoras			Capacidad restante
Iluminada	Apagada	Parpadeando	
			75% a 100%
■	■	■	
			50% a 75%
■	■	□	
			25% a 50%
■	□	□	
			0% a 25%
■	□	□	
			Cargue la batería.
▩	□	□	
			Puede que la batería no esté funcionando bien.
■	□	□	

**NOTA:** Dependiendo de las condiciones de utilización y de la temperatura ambiente, la indicación podrá variar ligeramente de la capacidad real.

#### Accionamiento del interruptor

**⚠️ PRECAUCIÓN:** Antes de insertar el cartucho de batería en la herramienta, compruebe siempre para cerciorarse de que el gatillo interruptor se acciona debidamente y que vuelve a la posición "OFF" cuando lo suelta.

**AVISO:** No utilice la palanca de cambio de velocidad/bloqueo mientras la herramienta está en marcha. La herramienta se puede dañar.

► Fig.3: 1. Palanca de cambio de velocidad/bloqueo 2. Gatillo interruptor 3. Estado de la palanca de cambio de velocidad/bloqueo




## ► Fig.4

Para poner en marcha la herramienta, presione la palanca de cambio de velocidad/bloqueo desde el lado A o B y apriete el gatillo interruptor. La velocidad de la herramienta incrementa aumentando la presión en el gatillo interruptor. Suelte el gatillo interruptor para parar.

La velocidad máxima de la herramienta se puede cambiar en 2 pasos.

- Para velocidad alta  
Cuando la palanca de cambio de velocidad/bloqueo es presionada desde el lado A, la velocidad de carrera es "2".
- Para velocidad baja  
Cuando la palanca de cambio de velocidad/bloqueo es presionada desde el lado B, la velocidad de carrera es "1".

Cuando la palanca de cambio de velocidad/bloqueo está en la posición , la herramienta está bloqueada y el gatillo interruptor no se puede apretar.

## Encendido de la lámpara delantera

### ► Fig.5: 1. Lámpara

**PRECAUCIÓN:** No mire a la luz ni vea la fuente de luz directamente.

Apriete el gatillo interruptor para encender la lámpara. La lámpara seguirá encendida mientras el gatillo interruptor esté siendo apretado. La lámpara se apagará 10 segundos aproximadamente después de soltar el gatillo interruptor.

**NOTA:** Utilice un paño seco para quitar la suciedad de la lente de la lámpara. Tenga cuidado de no rayar la lente de la lámpara, porque podrá disminuir la iluminación.


**NOTA:** Cuando la herramienta está recalentada, la lámpara parpadea durante un minuto. En este caso, enfríe la herramienta antes de realizar otra operación.

## Ajuste de la zapata

Cuando la hoja de sierra recíproca pierda su eficacia de corte en un lugar a lo largo de su borde cortante, reposicione la zapata para utilizar una porción afilada y sin usar de su borde cortante. Esto ayudará a alargar la vida de servicio de la hoja de sierra recíproca.


La posición de la zapata se puede ajustar en 6 niveles. Para reposicionar la zapata, abra la palanca de ajuste de la zapata y seleccione la posición adecuada, después cierre la palanca de ajuste de la zapata.

► Fig.6: 1. Zapata 2. Palanca de ajuste de la zapata

**AVISO:** La zapata no se puede sujetar si se alarga más allá de la marca  del estampado <sup>MAX</sup> → 1. No cierre la palanca de ajuste de la zapata con fuerza en una posición como esa. Podría resultar en la rotura de la palanca.

**NOTA:** La zapata no se puede ajustar sin abrir completamente la palanca de ajuste de la zapata.

## Gancho

**PRECAUCIÓN:** Cuando cuelgue la herramienta, ajuste la palanca de cambio de velocidad/bloqueo en la posición  para bloquear el gatillo interruptor. (Consulte la sección titulada "Accionamiento del interruptor").

**PRECAUCIÓN:** No cuelgue nunca la herramienta en un lugar alto o potencialmente inestable.

### ► Fig.7: 1. Gancho

El gancho resulta útil para colgar la herramienta temporalmente.

Para utilizar el gancho, simplemente levántelo hasta que encaje con un chasquido en la posición abierta. Cuando no lo esté utilizando, baje siempre el gancho hasta que encaje con un chasquido en la posición cerrada.

## Función electrónica

La herramienta está equipada con funciones electrónicas para facilitar su funcionamiento.

## Control de velocidad constante

La función de control de velocidad brinda la velocidad de rotación constante independientemente de las condiciones de carga.

## MONTAJE

**PRECAUCIÓN:** Asegúrese siempre de que la herramienta está apagada y el cartucho de batería retirado antes de realizar cualquier trabajo en la herramienta.

## Para instalar o retirar la hoja de sierra recíproca

**PRECAUCIÓN:** Limpie siempre todas las virutas y materias extrañas adheridas a la hoja de sierra y alrededor de la abrazadera de la hoja de sierra. En caso contrario, la hoja de sierra podrá quedar insuficientemente apretada, pudiendo resultar en heridas graves.

Para instalar la hoja de sierra recíproca, tire de la palanca de liberación completamente de manera que el manguito de la abrazadera de la hoja de sierra se sitúe en la posición liberada antes de insertar la hoja de sierra recíproca.

► Fig.8: 1. Palanca de liberación 2. Manguito de la abrazadera de la hoja de sierra 3. Posición liberada 4. Posición fija

**NOTA:** Tire siempre de la palanca de liberación completamente hasta el final. Si no, el manguito de la abrazadera de la hoja de sierra no se situará en la posición liberada y la hoja de sierra recíproca no se podrá insertar.

Inserte la hoja de sierra recíproca en la ranura del manguito de la abrazadera de la hoja de sierra a tope. El manguito de la abrazadera de la hoja de sierra agarrará la hoja de sierra recíproca con un chasquido. Asegúrese de que la hoja de sierra recíproca no se pueda extraer aunque intente sacarla.

► **Fig.9:** 1. Hoja de sierra recíproca 2. Manguito de la abrazadera de la hoja de sierra

**⚠PRECAUCIÓN:** Si no inserta la hoja de sierra recíproca suficientemente a tope, la hoja de sierra recíproca podrá salirse inesperadamente durante la operación. Esto puede ser muy peligroso.

Para retirar la hoja de sierra recíproca, tire de la palanca de liberación en la dirección de la flecha completamente.

► **Fig.10:** 1. Hoja de sierra recíproca 2. Palanca de liberación

**AVISO:** No opere nunca la palanca de liberación cuando esté operando el gatillo interruptor. Si lo hace podrá ocasionar un mal funcionamiento.

## OPERACIÓN

**⚠PRECAUCIÓN:** Apriete siempre la zapata firmemente contra la pieza de trabajo durante la operación. Si se retira la zapata o se mantiene apartada de la pieza de trabajo durante la operación, se producirán fuertes vibraciones y/o torsiones, ocasionando que la hoja de sierra se rompa peligrosamente.

**⚠PRECAUCIÓN:** Póngase siempre guantes para proteger sus manos de las virutas calientes que saltan cuando se corta metal.

**⚠PRECAUCIÓN:** Asegúrese siempre de ponerse protección apropiada para los ojos que cumpla con las normas nacionales actuales.

**⚠PRECAUCIÓN:** Utilice siempre un refrigerante apropiado (aceite para cortar) cuando corte metal. De no hacerlo, ocasionará un desgaste prematuro de la hoja de sierra.

**⚠PRECAUCIÓN:** No doble abruptamente la hoja de sierra durante el corte.

Apriete la zapata firmemente contra la pieza de trabajo. No permita que la herramienta rebote. Acerque la hoja de sierra recíproca hasta entrar en ligero contacto con la pieza de trabajo. Primero, haga una ranura piloto utilizando una velocidad más lenta. Después, utilice una velocidad más rápida para continuar cortando.

► **Fig.11**

**AVISO:** No corte la pieza de trabajo con la zapata separada de la pieza de trabajo o sin la zapata. Si lo hace aumentará la fuerza de reacción, lo cual podrá romper la hoja de sierra recíproca.

## MANTENIMIENTO

**⚠PRECAUCIÓN:** Asegúrese siempre de que la herramienta está apagada y de que el cartucho de batería está retirado antes de intentar hacer una inspección o mantenimiento.

**AVISO:** No utilice nunca gasolina, bencina, disolvente, alcohol o similares. Podría producir descoloración, deformación o grietas.

Para mantener la SEGURIDAD y FIABILIDAD del producto, las reparaciones, y cualquier otra tarea de mantenimiento o ajuste deberán ser realizadas en centros de servicio o de fábrica autorizados por Makita, empleando siempre repuestos Makita.

## ACCESORIOS OPCIONALES

**⚠PRECAUCIÓN:** Estos accesorios o aditamentos están recomendados para su uso con la herramienta Makita especificada en este manual. El uso de cualquier otro accesorio o aditamento puede suponer un riesgo de heridas personales. Utilice el accesorio o aditamento solamente con la finalidad indicada para el mismo.

Si necesita cualquier ayuda para más detalles en relación con estos accesorios, pregunte al centro de servicio Makita local.

- Hojas de sierra recíproca
- Batería y cargador genuinos de Makita

**NOTA:** Algunos elementos de la lista podrán estar incluidos en el paquete de la herramienta como accesorios estándar. Pueden variar de un país a otro.

## ESPECIFICAÇÕES

<b>Modelo:</b>		<b>JR001G</b>
Comprimento de corte		32 mm
Cortes por minuto	Alto (2)	0 - 3.000 min <sup>-1</sup>
	Baixo (1)	0 - 2.300 min <sup>-1</sup>
Capacidade máx. de corte	Tubo	130 mm
	Madeira	255 mm
Tensão nominal		CC 36 V - 40 V máx.
Comprimento geral	com BL4025	457 mm
	com BL4040	472 mm
Peso líquido		4,2 - 4,5 kg

- Devido a um programa contínuo de pesquisa e desenvolvimento, estas especificações estão sujeitas a alteração sem aviso prévio.
- As especificações e a bateria podem variar de país para país.
- O peso poderá diferir em função do acessório(s), incluindo a bateria. A combinação mais leve e mais pesada, de acordo com o Procedimento EPTA 01/2014, é apresentada na tabela.

### Bateria e carregador aplicável

Bateria	BL4025 / BL4040
Carregador	DC40RA

- Algumas das baterias e carregadores listados acima poderão não estar disponíveis, dependendo da sua região de residência.

**⚠AVISO:** Utilize apenas as baterias e carregadores listados acima. A utilização de quaisquer outras baterias e carregadores pode causar ferimentos e/ou um incêndio.

### Utilização a que se destina

Esta ferramenta destina-se a cortar madeira, plástico e materiais ferrosos.

### Ruído

A característica do nível de ruído A determinado de acordo com a EN62841-2-11:

Nível de pressão acústica ( $L_{pA}$ ): 85 dB (A)

Nível de potência acústica ( $L_{WA}$ ): 96 dB (A)

Variabilidade (K): 3 dB (A)

**NOTA:** O(s) valor(es) da emissão de ruído indicado(s) foi medido de acordo com um método de teste padrão e pode ser utilizado para comparar duas ferramentas.

**NOTA:** O(s) valor(es) da emissão de ruído indicado(s) pode também ser utilizado na avaliação preliminar da exposição.

**⚠AVISO:** Utilize protetores auriculares.

**⚠AVISO:** A emissão de ruído durante a utilização real da ferramenta elétrica pode diferir do(s) valor(es) indicado(s), dependendo das formas como a ferramenta é utilizada, especialmente o tipo de peça de trabalho que é processada.

**⚠AVISO:** Certifique-se de identificar as medidas de segurança para proteção do operador que sejam baseadas em uma estimativa de exposição em condições reais de utilização (considerando todas as partes do ciclo de operação, tal como quando a ferramenta está desligada e quando está a funcionar em marcha lenta além do tempo de acionamento).

### Vibração

Valor total da vibração (soma vetorial tri-axial) determinado de acordo com a EN62841-2-11:

Modo de trabalho: cortar tábuas

Emissão de vibração ( $a_{h,B}$ ): 18,0 m/s<sup>2</sup>

Variabilidade (K): 1,5 m/s<sup>2</sup>

Modo de trabalho: cortar vigas de madeira

Emissão de vibração ( $a_{h,WB}$ ): 19,5 m/s<sup>2</sup>

Variabilidade (K): 2,0m/s<sup>2</sup>

**NOTA:** O(s) valor(es) total(ais) de vibração indicado(s) foi medido de acordo com um método de teste padrão e pode ser utilizado para comparar duas ferramentas.

**NOTA:** O(s) valor(es) total(ais) de vibração indicado(s) pode também ser utilizado na avaliação preliminar da exposição.

**⚠️ AVISO:** A emissão de vibração durante a utilização real da ferramenta elétrica pode diferir do(s) valor(es) indicado(s), dependendo das formas como a ferramenta é utilizada, especialmente o tipo de peça de trabalho que é processada.

**⚠️ AVISO:** Certifique-se de identificar as medidas de segurança para proteção do operador que sejam baseadas em uma estimativa de exposição em condições reais de utilização (considerando todas as partes do ciclo de operação, tal como quando a ferramenta está desligada e quando está a funcionar em marcha lenta além do tempo de acionamento).

## Declaração de conformidade da CE

### *Apenas para os países europeus*

A declaração de conformidade da CE está incluída como Anexo A neste manual de instruções.

## AVISOS DE SEGURANÇA

### Avisos gerais de segurança para ferramentas elétricas

**⚠️ AVISO:** Leia todos os avisos de segurança, instruções, ilustrações e especificações fornecidos com esta ferramenta elétrica. O não cumprimento de todas as instruções indicadas em baixo pode resultar em choque elétrico, incêndio e/ou ferimentos graves.

### Guarde todos os avisos e instruções para futuras referências.

O termo "ferramenta elétrica" nos avisos refere-se às ferramentas elétricas ligadas à corrente elétrica (com cabo) ou às ferramentas elétricas operadas por meio de bateria (sem cabo).

### Avisos de segurança da serra sabre a bateria

1. **Segure na ferramenta elétrica pelas superfícies de aderência isoladas quando executar uma operação em que o acessório de corte possa entrar em contacto com fios ocultos.** O contacto do acessório de corte com um fio elétrico "sob tensão" pode tornar as partes metálicas expostas da ferramenta elétrica "sob tensão" e pode causar um choque elétrico ao operador.

2. **Utilize grampos ou qualquer outro modo prático para prender e suportar a peça de trabalho numa superfície estável.** Segurar no peça de trabalho com a mão ou contra o corpo deixa-o instável e pode conduzir à perda de controlo.
3. **Utilize sempre óculos de segurança. Os óculos normais ou de sol NÃO são óculos de segurança.**
4. **Evite cortar pregos. Inspeccione a peça de trabalho e se tiver pregos, tire-os antes da operação.**
5. **Não corte peças de trabalho de tamanho muito grande.**
6. **Verifique se tem a folga adequada sob a peça de trabalho antes de cortar, de modo a que a lâmina não bata no chão, bancada, etc.**
7. **Segure a ferramenta firmemente.**
8. **Certifique-se de que a lâmina não está em contacto com a peça de trabalho antes de ligar o interruptor.**
9. **Mantenha as mãos afastadas das partes em movimento.**
10. **Não deixe a ferramenta a funcionar. Opere a ferramenta apenas quando a estiver a agarrar.**
11. **Desligue sempre e espere que a lâmina pare completamente antes de retirar a lâmina da peça de trabalho.**
12. **Não toque na lâmina ou na peça de trabalho imediatamente a seguir à operação pois podem estar extremamente quentes e provocar queimaduras.**
13. **Não utilize com a ferramenta em vazio desnecessariamente.**
14. **Utilize sempre a máscara de pó/respirador correto para o material e a aplicação com que está a trabalhar.**
15. **Alguns materiais contêm químicos que podem ser tóxicos. Tome cuidado para evitar a inalação de poeira e o contacto com a pele. Siga os dados de segurança do fornecedor do material.**
16. **Antes da operação, certifique-se de que não existem objetos enterrados, tais como tubos elétricos, tubos de água ou tubos de gás, na peça de trabalho. Caso contrário, a lâmina de serra sabre pode tocar nos mesmos, resultando em choque elétrico, fuga elétrica ou fuga de gás.**

## GUARDE ESTAS INSTRUÇÕES.

**⚠️ AVISO:** NÃO permita que conforto ou familiaridade com o produto (adquirido com o uso repetido) substitua a aderência estrita às regras de segurança da ferramenta. MÁ INTERPRETAÇÃO ou não seguimento das regras de segurança estabelecidas neste manual de instruções pode causar danos pessoais sérios.

## Instruções de segurança importantes para a bateria

1. **Antes de utilizar a bateria, leia todas as instruções e etiquetas de precaução no (1) carregador de bateria (2) bateria e (3) produto que utiliza a bateria.**
2. **Não desmonte ou manipule a bateria.** Pode resultar num incêndio, em calor excessivo ou numa explosão.
3. **Se o tempo de funcionamento se tornar excessivamente curto, pare o funcionamento imediatamente.** Pode resultar em sobreaquecimento, possíveis queimaduras e mesmo explosão.
4. **Se entrar eletrólito nos seus olhos, lave-os com água e consulte imediatamente um médico.** Pode resultar em perda de visão.
5. **Não coloque a bateria em curto-circuito:**
  - (1) **Não toque nos terminais com qualquer material condutor.**
  - (2) **Evite guardar a bateria juntamente com outros objetos metálicos tais como pregos, moedas, etc.**
  - (3) **Não exponha a bateria à água ou chuva.** Um curto-circuito pode ocasionar um enorme fluxo de corrente, sobreaquecimento, possíveis queimaduras e mesmo estragar-se.
6. **Não guarde a ferramenta e a bateria em locais onde a temperatura pode atingir ou exceder 50°C.**
7. **Não queime a bateria mesmo que esteja estragada ou completamente gasta. A bateria pode explodir no fogo.**
8. **Não pregue, corte, esmague, atire, deixe cair a bateria, nem bata a bateria contra um objeto rijo.** Esta conduta pode resultar num incêndio, em calor excessivo ou numa explosão.
9. **Não utilize uma bateria danificada.**
10. **As baterias de íões de lítio contidas na ferramenta são sujeitas aos requisitos da DGL (Dangerous Goods Legislation - Legislação de bens perigosos).**

Para o transporte comercial, por exemplo, por terceiros ou agentes de expedição, têm de ser observados os requisitos referentes à embalagem e etiquetagem.

Para preparação do artigo a ser expedido, é necessário consultar um perito em materiais perigosos. Tenha ainda em conta a possibilidade de existirem regulamentos nacionais mais detalhados.

Coloque fita-cola ou tape os contactos abertos e embale a bateria de tal forma que não possa mover-se dentro da embalagem.
11. **Quando eliminar a bateria, remova-a da ferramenta e elimine-a num local seguro. Siga os regulamentos locais relacionados com a eliminação de baterias.**
12. **Utilize as baterias apenas com os produtos especificados pela Makita.** Instalar as baterias em produtos não-conformes poderá resultar num incêndio, calor excessivo, explosão ou fuga de eletrólito.
13. **Se a ferramenta não for utilizada durante um período de tempo prolongado, a bateria deve ser removida da ferramenta.**
14. **Durante e após a utilização, a bateria pode aquecer, o que pode provocar queimaduras ou queimaduras a baixa temperatura.** Preste atenção ao manuseamento de baterias quentes.
15. **Não toque no terminal da ferramenta imediatamente após a utilização, pois pode ficar suficientemente quente para provocar queimaduras.**
16. **Não permita a adesão de aparas, pó ou sujidade nos terminais, nos orifícios e nas ranhuras da bateria.** Pode resultar no fraco desempenho ou na avaria da ferramenta ou bateria.
17. **A menos que a ferramenta suporte a utilização perto de linhas elétricas de alta tensão, não utilize a bateria perto de linhas elétricas de alta tensão.** Pode resultar no mau funcionamento ou na avaria da ferramenta ou bateria.

## GUARDE ESTAS INSTRUÇÕES.

**⚠PRECAUÇÃO:** Utilize apenas baterias genuínas da Makita. A utilização de baterias não genuínas da Makita ou de baterias que foram alteradas, pode resultar no rebentamento da bateria provocando incêndios, ferimentos pessoais e danos. Além disso, anulará da garantia da Makita no que se refere à ferramenta e ao carregador Makita.

## Conselhos para manter a máxima vida útil da bateria

1. **Carregue a bateria antes que esteja completamente descarregada. Pare sempre o funcionamento da ferramenta e carregue a bateria quando notar menos poder na ferramenta.**
2. **Nunca carregue uma bateria completamente carregada. Carregamento excessivo diminui a vida útil da bateria.**
3. **Carregue a bateria à temperatura ambiente de 10°C – 40°C. Deixe que uma bateria quente arrefeça antes de a carregar.**
4. **Quando não utilizar a bateria, remova-a da ferramenta ou do carregador.**
5. **Carregue a bateria se não a utilizar durante um longo período de tempo (mais de seis meses).**

## DESCRIÇÃO FUNCIONAL

**⚠️ PRECAUÇÃO:** Certifique-se sempre de que a ferramenta está desligada e a bateria foi retirada antes de regular ou verificar qualquer função na ferramenta.

### Instalação ou remoção da bateria

**⚠️ PRECAUÇÃO:** Desligue sempre a ferramenta antes de colocar ou retirar a bateria.

**⚠️ PRECAUÇÃO:** Segure firmemente a ferramenta e a bateria quando instalar ou remover a bateria. Se não segurar firmemente a ferramenta e a bateria pode fazer com que escorreguem das suas mãos resultando em danos na ferramenta e na bateria e ferimentos pessoais.

► Fig.1: 1. Indicador vermelho 2. Botão 3. Bateria

Para retirar a bateria, deslize-a para fora da ferramenta enquanto desliza o botão na frente da bateria.

Para instalar a bateria, alinhe a lingueta da bateria com a ranhura no compartimento e deslize-a no lugar. Empurre-a até o fim para que a mesma encaixe no lugar com um clique. Se puder ver a parte vermelha no lado superior do botão, significa que não está completamente bloqueada.

**⚠️ PRECAUÇÃO:** Instale sempre a bateria até ao fim, até deixar de ver o indicador vermelho. Caso contrário, a bateria poderá cair da ferramenta acidentalmente e provocar ferimentos em si mesmo ou em alguém próximo.

**⚠️ PRECAUÇÃO:** Não instale a bateria à força. Se a bateria não deslizar facilmente é porque não foi colocada corretamente.

### Sistema de proteção da ferramenta/bateria

A ferramenta está equipada com um sistema de proteção da ferramenta/bateria. Este sistema corta automaticamente a corrente para o motor para aumentar a vida da ferramenta e da bateria. A ferramenta para automaticamente durante o funcionamento se a ferramenta ou bateria for colocada mediante uma das seguintes condições:

### Proteção contra sobrecarga

Quando a bateria é operada de forma a puxar uma corrente anormalmente elevada, a ferramenta para automaticamente sem qualquer indicação. Nesse caso, desligue a ferramenta e pare a operação que provocou a sobrecarga da ferramenta. Em seguida, volte a ligar a ferramenta para a reiniciar.

### Proteção contra sobreaquecimento

Quando a ferramenta ou a bateria estiver sobreaquecida, a ferramenta para automaticamente e a lâmpada pisca. Neste caso, deixe a ferramenta e a bateria arrefecerem antes de ligar novamente a ferramenta.

### Proteção contra descarga excessiva

Quando a capacidade da bateria não for suficiente, a ferramenta para automaticamente e a lâmpada pisca. Neste caso, remova a bateria da ferramenta e carregue a bateria.

### Indicação da capacidade restante da bateria

Prima o botão de verificação na bateria para indicar a capacidade restante da bateria. As luzes indicadoras acendem durante alguns segundos.

► Fig.2: 1. Luzes indicadoras 2. Botão de verificação

Luzes indicadoras			Capacidade restante
Acaso	Apagado	A piscar	
			75% a 100%
			50% a 75%
			25% a 50%
			0% a 25%
			Carregar a bateria.
			A bateria pode estar avariada.

**NOTA:** Dependendo das condições de utilização e da temperatura ambiente, a indicação pode ser ligeiramente diferente da capacidade real.

### Ação do interruptor

**⚠️ PRECAUÇÃO:** Antes de colocar a bateria na ferramenta, verifique sempre se o gatilho do interruptor funciona corretamente e volta para a posição "OFF" quando libertado.

**OBSERVAÇÃO:** Não utilize a alavanca de bloqueio/mudança de velocidade enquanto a ferramenta está a funcionar. A ferramenta pode ficar danificada.

► Fig.3: 1. Alavanca de bloqueio/mudança de velocidade 2. Gatilho 3. Estado da alavanca de bloqueio/mudança de velocidade

► Fig.4

Para pôr a ferramenta a funcionar, carregue no lado A ou B da alavanca de bloqueio/mudança de velocidade e puxe o gatilho.


A velocidade da ferramenta aumenta, aumentando a pressão no gatilho. Liberte o gatilho para parar.

A velocidade máxima da ferramenta pode ser mudada em 2 passos.

- Para alta velocidade  
Quando a alavanca de bloqueio/mudança de velocidade é carregada a partir do lado A, a velocidade do curso está em "2".



- Para baixa velocidade  
Quando a alavanca de bloqueio/mudança de velocidade é carregada a partir do lado B, a velocidade do curso está em “1”.

Quando a alavanca de bloqueio/mudança de velocidade está na posição , a ferramenta está bloqueada e o gatilho não pode ser puxado.

## Acender a lâmpada da frente

► **Fig.5:** 1. Lâmpada

**⚠PRECAUÇÃO:** Não olhe para a luz ou para a fonte de iluminação diretamente.

Puxe o gatilho do interruptor para acender a lâmpada. A lâmpada mantém-se acesa enquanto o gatilho do interruptor estiver a ser premido. A lâmpada apaga-se aproximadamente 10 segundos após soltar o gatilho do interruptor.

**NOTA:** Utilize um pano seco para limpar a sujidade da lente da lâmpada. Tenha cuidado para não riscar a lente da lâmpada ou a iluminação pode ficar enfraquecida.


**NOTA:** Quando a ferramenta está sobreaquecida, a luz pisca durante um minuto. Neste caso, arrefeça a ferramenta antes de outra operação.

## Ajustar a sapata

Quando a lâmina da serra sabre perde a capacidade de corte num ponto ao longo da extremidade de corte, reposicione a sapata para utilizar uma porção afiada, não utilizada da sua extremidade de corte. Isto ajudará a prolongar a vida útil da lâmina da serra sabre.


A posição da sapata pode ser ajustada em 6 níveis. Para reposicionar a sapata, abra a alavanca de ajuste da sapata e selecione a posição adequada, depois feche a alavanca de ajuste da sapata.

► **Fig.6:** 1. Sapata 2. Alavanca de ajuste da sapata

**OBSERVAÇÃO:** A sapata não pode ser segurada se estiver estendida mais do que  a marcação da **MAX** → **estampagem. Não feche a alavanca de ajuste da sapata forçando-a nessa posição.** Pode resultar na quebra da alavanca.

**NOTA:** A sapata não pode ser ajustada sem se abrir completamente a alavanca de ajuste da sapata.

## Gancho

**⚠PRECAUÇÃO:** Quando se pendura a ferramenta, coloque a alavanca de bloqueio/mudança de velocidade na posição  para bloquear o gatilho. (Consulte a secção intitulada “Ação do interruptor”).

**⚠PRECAUÇÃO:** Nunca pendure a ferramenta num local alto ou potencialmente instável.

► **Fig.7:** 1. Gancho

O gancho é conveniente para pendurar temporariamente a ferramenta.

Para utilizar o gancho, basta levantar o gancho até encaixar na posição de aberto.

Quando não está a ser utilizada, baixe sempre o gancho até encaixar na posição de fechado.

## Função eletrónica

A ferramenta está equipada com as funções eletrónicas para fácil operação.

## Controlo constante da velocidade

A função de controlo da velocidade assegura a velocidade constante da rotação independentemente das condições de carga.

## MONTAGEM

**⚠PRECAUÇÃO:** Certifique-se sempre de que a ferramenta está desligada e a bateria retirada antes de executar qualquer trabalho na ferramenta.

## Instalar ou remover a lâmina da serra sabre

**⚠PRECAUÇÃO:** Limpe sempre todas as aparas ou matérias estranhas que se tenham colado à lâmina e em volta da fixação da lâmina. O não cumprimento desta recomendação, pode causar aperto insuficiente da lâmina resultando em ferimentos graves.

Para instalar a lâmina de serra sabre, puxe a alavanca de libertação completamente de modo que a manga de fixação da lâmina fique na posição de libertada antes de inserir a lâmina de serra sabre.

► **Fig.8:** 1. Alavanca de libertação 2. Manga do grampo da lâmina 3. Posição de libertada 4. Posição de fixa

**NOTA:** Puxe sempre a alavanca de libertação completamente até ao fim. Caso contrário, a manga de fixação da lâmina não fica na posição de libertada e a lâmina de serra sabre não pode ser inserida.

Insera a lâmina de serra sabre na ranhura da manga de fixação da lâmina o mais fundo possível. A manga de fixação da lâmina irá prender a lâmina de serra sabre com um clique. Certifique-se de que não é possível extrair a lâmina da serra de sabre mesmo que tente puxá-la.

► **Fig.9:** 1. Lâmina da serra de sabre 2. Manga do grampo da lâmina

**⚠PRECAUÇÃO:** Se não colocar a lâmina da serra de sabre suficientemente fundo, a lâmina da serra de sabre pode ser expelida inesperadamente durante o funcionamento. Isto pode ser extremamente perigoso.

Para retirar a lâmina de serra sabre, puxe completamente a alavanca de libertação na direção da seta.

► **Fig.10:** 1. Lâmina da serra de sabre 2. Alavanca de libertação

**OBSERVAÇÃO:** Nunca utilize a alavanca de libertação quando operar o gatilho do interruptor. Se o fizer poderá causar anomalias.



## OPERAÇÃO

**⚠PRECAUÇÃO:** Pressione sempre a sapata com firmeza contra a peça de trabalho durante o funcionamento. Se a sapata for removida ou mantida afastada da peça de trabalho durante o funcionamento, produzir-se-ão vibrações fortes e/ou torções que darão origem à rutura perigosa da lâmina.

**⚠PRECAUÇÃO:** Quando cortar metal use sempre luvas para proteger as mãos das fagulhas que saltam.

**⚠PRECAUÇÃO:** Certifique-se sempre de que usa proteção adequada para os olhos, que esteja de acordo com as normas nacionais atuais.

**⚠PRECAUÇÃO:** Utilize sempre um refrigerante adequado (óleo de corte) quando cortar metal. O não cumprimento desta recomendação pode provocar o desgaste prematura da lâmina.

**⚠PRECAUÇÃO:** Não torça a lâmina durante o corte.

Pressione a sapata firmemente contra a peça de trabalho. Não deixe a ferramenta ressaltar. Faça a lâmina da serra de sabre entrar ligeiramente em contacto com a peça de trabalho. Comece por fazer uma ranhura de referência a baixa velocidade. Seguidamente prossiga o corte numa velocidade mais rápida.

► Fig.11

**⚠OBSERVAÇÃO:** Não corte a peça de trabalho com a sapata afastada da peça de trabalho ou sem sapata. Ao fazê-lo aumenta a força de reação que pode partir lâmina de serra sabre.

## MANUTENÇÃO

**⚠PRECAUÇÃO:** Certifique-se sempre de que a ferramenta se encontra desligada e de que a bateria foi retirada antes de executar qualquer inspeção ou manutenção.

**⚠OBSERVAÇÃO:** Nunca utilize gasolina, benzina, diluente, álcool ou produtos semelhantes. Pode ocorrer a descoloração, deformação ou rachaduras.

Para manter a SEGURANÇA e a FIABILIDADE do produto, as reparações e qualquer outra manutenção ou ajuste devem ser levados a cabo pelos centros de assistência Makita autorizados ou pelos centros de assistência de fábrica, utilizando sempre peças de substituição Makita.

## ACESSÓRIOS OPCIONAIS

**⚠PRECAUÇÃO:** Estes acessórios ou peças são recomendados para utilização com a ferramenta Makita especificada neste manual. A utilização de outros acessórios ou peças pode ser perigosa para as pessoas. Utilize apenas acessórios ou peças para os fins indicados.

Se necessitar de informações adicionais relativas a estes acessórios, solicite-as ao seu centro de assistência Makita.

- Lâminas da serra de sabre
- Bateria e carregador genuínos da Makita

**NOTA:** Alguns itens da lista podem estar incluídos na embalagem da ferramenta como acessórios padrão. Eles podem variar de país para país.

## SPECIFIKATIONER

<b>Model:</b>		<b>JR001G</b>
Slaglængde		32 mm
Antal slag pr. minut	Højt (2)	0 - 3.000 min <sup>-1</sup>
	Løvt (1)	0 - 2.300 min <sup>-1</sup>
Maks. skærekapacitet	Rør	130 mm
	Træ	255 mm
Mærkespænding		D.C. 36 V - 40 V maks.
Længde i alt	med BL4025	457 mm
	med BL4040	472 mm
Nettovægt		4,2 - 4,5 kg

- På grund af vores kontinuerlige forsknings- og udviklingsprogrammer kan hosstående specifikationer blive ændret uden varsel.
- Specifikationer og akku kan variere fra land til land.
- Vægten kan være anderledes afhængigt af tilbehøret, inklusive akkuen. Den letteste og tungeste kombination i henhold til EPTA-procedure 01/2014 er vist i tabellen.

### Anvendelig akku og oplader

Akku	BL4025 / BL4040
Oplader	DC40RA

- Nogle af de akkuer og opladere, der er angivet ovenfor, er muligvis ikke tilgængelige, afhængigt af hvilket område du bor i.

**⚠ ADVARSEL: Brug kun de akkuer og opladere, der er angivet ovenfor.** Brug af andre akkuer og opladere kan medføre personskaade og/eller brand.

### Tilsligtet anvendelse

Maskinen er beregnet til savning i træ, plast og jernholdige materialer.

### Støj

Det typiske A-vægtede støjniveau bestemt i overensstemmelse med EN62841-2-11:  
 Lydtryksniveau ( $L_{pA}$ ) : 85 dB (A)  
 Lydeffektniveau ( $L_{WA}$ ) : 96 dB (A)  
 Usikkerhed (K): 3 dB (A)

**BEMÆRK:** De(n) angivne støjemissionsværdi(er) er målt i overensstemmelse med en standardtestmetode og kan anvendes til at sammenligne en maskine med en anden.

**BEMÆRK:** De(n) angivne støjemissionsværdi(er) kan også anvendes i en præliminær eksponeringsvurdering.

**⚠ ADVARSEL: Bær høreværn.**

**⚠ ADVARSEL: Støjemissionen under den faktiske anvendelse af maskinen kan være forskellig fra de(n) angivne værdi(er), afhængigt af den måde hvorpå maskinen anvendes, især den type arbejdsemne der behandles.**

**⚠ ADVARSEL: Sørg for at identificere de sikkerhedsforskrifter til beskyttelse af operatøren, som er baseret på en vurdering af eksponering under de faktiske brugsforhold (med hensyntagen til alle dele i brugscyklussen, f.eks. de gange, hvor maskinen er slukket, og når den kører i tomgang i tilgift til afbrydertiden).**

### Vibration

Vibrationens totalværdi (tre-aksial vektorsum) bestemt i overensstemmelse med EN62841-2-11:  
 Arbejdstilstand: skæring af plader  
 Vibrationsafgivelse ( $a_{h,B}$ ): 18,0 m/s<sup>2</sup>  
 Usikkerhed (K): 1,5 m/s<sup>2</sup>  
 Arbejdstilstand: skæring af træbjælker  
 Vibrationsafgivelse ( $a_{h,WB}$ ) 19,5 m/s<sup>2</sup>  
 Usikkerhed (K): 2,0m/s<sup>2</sup>

**BEMÆRK:** De(n) angivne totalværdi(er) for vibration er målt i overensstemmelse med en standardtestmetode og kan anvendes til at sammenligne en maskine med en anden.

**BEMÆRK:** De(n) angivne totalværdi(er) for vibration kan også anvendes i en præliminær eksponeringsvurdering.

**⚠ ADVARSEL:** Vibrationsemissionen under den faktiske anvendelse af maskinen kan være forskellig fra de(n) angivne værdi(er), afhængigt af den måde hvorpå maskinen anvendes, især den type arbejdsemne der behandles.

**⚠ ADVARSEL:** Sørg for at identificere de sikkerhedsforskrifter til beskyttelse af operatøren, som er baseret på en vurdering af eksponering under de faktiske brugsforhold (med hensyntagen til alle dele i brugscyklussen, f.eks. de gange, hvor maskinen er slukket, og når den kører i tomgang i tilgift til afbrydertiden).

## EF-overensstemmelseserklæring

### Kun for lande i Europa

EF-overensstemmelseserklæringen er inkluderet som Bilag A i denne brugsanvisning.

## SIKKERHEDSADVARSLER

### Almindelige sikkerhedsregler for el-værktøj

**⚠ ADVARSEL:** Læs alle de sikkerhedsadvarsler, instruktioner, illustrationer og specifikationer, der følger med denne maskine. Forsømmelse af at overholde alle nedenstående instruktioner kan medføre elektrisk stød, brand og/eller alvorlig personskade.

### Gem alle advarsler og instruktioner til fremtidig reference.

Ordet "el-værktøj" i advarslerne henviser til det netforsyede (netledning) el-værktøj eller batteriforsyede (akku) el-værktøj.

### Sikkerhedsadvarsler for akku bajonetsav

1. Hold maskinen i de isolerede håndtagsflader, når der udføres et arbejde, hvor det skærende tilbehør kan komme i kontakt med skjulte ledninger. Skærende tilbehør, som kommer i kontakt med en strømførende ledning, kan bevirke, at udsatte metaldele på maskinen bliver strømførende, hvorved operatøren kan få elektrisk stød.
2. Anvend spændestykker eller en anden praktisk måde til at fastspænde og støtte arbejdsemnet til en stabil flade. Hvis arbejdsemnet holdes med hånden eller støttes mod kroppen, vil det være ustabil, hvilket kan medføre, at De mister kontrollen over det.
3. Anvend altid sikkerhedsbriller. Almindelige briller eller solbriller er IKKE det samme som sikkerhedsbriller.
4. Undgå at save i søm. Tjek arbejdsemnet for søm, og fjern dem, før arbejdet påbegyndes.
5. Sav ikke i for store arbejdsemner.

6. Tjek for tilstrækkelig frigang under arbejdsemnet, før der saves, så klingens ikke rammer gulvet, arbejdsbænken eller lignende.
7. Hold godt fast i maskinen.
8. Sørg for, at klingens ikke er i kontakt med arbejdsemnet, før der trykkes på afbryderen.
9. Hold hænderne væk fra bevægelige dele.
10. Lad ikke maskinen køre i tomgang. Anvend kun maskinen håndholdt.
11. Sluk altid, og vent, indtil klingens står helt stille, før klingens fjernes fra arbejdsemnet.
12. Rør ikke ved klingens eller arbejdsemnet umiddelbart efter anvendelse. De kan begge være meget varme og forårsage forbrænding af huden.
13. Anvend ikke maskinen unødigt uden belastning.
14. Anvend altid korrekt støvmaske/åndebrætsværn i henhold til det materiale og den anvendelse, De arbejder med.
15. Nogle materialer indeholder kemikalier, som kan være giftige. Vær påpasselig med at forhindre inhalering af støv og hudkontakt. Følg materiale-leverandørens sikkerhedsdata.
16. Inden betjening skal du sikre dig, at der ikke er nogen begravet genstand, såsom elrør, vandrør eller gasrør, i arbejdsemnet. Ellers kan bajonetsavklingen muligvis komme i kontakt med dem, hvilket kan resultere i elektrisk stød, ellerskade eller gaslækage.

## GEM DENNE BRUGSANVISNING.

**⚠ ADVARSEL:** LAD IKKE bekvemmelighed eller kendskab til produktet (opnået gennem gentagen brug) forhindre, at sikkerhedsforskrifterne for produktet nøje overholdes. MISBRUG eller forsømmelse af at følge de i denne brugsvejledning givne sikkerhedsforskrifter kan føre til, at De kommer alvorligt til skade.

### Vigtige sikkerhedsinstruktioner for akkuen

1. Læs alle instruktioner og advarselmærkater på (1) akku-opladeren, (2) akkuen og (3) produktet, som anvender akku.
2. Adskil eller ændr ikke akkuen. Det kan muligvis resultere i en brand, overdreven varme eller eksplosion.
3. Hold straks op med anvendelsen, hvis brugstiden er blevet stærkt afkortet. Fortsat anvendelse kan resultere i risiko for overophedning, forbrændinger og endog eksplosion.
4. Hvis De har fået elektrolytvæske i øjnene, skal De straks skylle den ud med rent vand og derefter øjeblikkeligt søge lægehjælp. I modsat fald kan De miste synet.
5. Vær påpasselig med ikke at komme til at kortslutte akkuen:
  - (1) Rør ikke ved terminalerne med noget ledende materiale.
  - (2) Undgå at opbevare akkuen i en beholder sammen med andre genstande af metal, for eksempel søm, mønter og lignende.
  - (3) Udsæt ikke akkuen for vand eller regn.

Kortslutning af akkuen kan forårsage en kraftig øgning af strømmen, overophedning, mulige forbrændinger og endog værktøjstop.

6. Opbevar ikke værktøjet og akkuen på et sted, hvor temperaturen kan nå eller overstige 50 °C.
7. Lad være med at brænde akkuen, selv ikke i tilfælde, hvor den har lidt alvorlig skade eller er fuldstændig udtjent. Akkuen kan eksplodere, hvis man forsøger at brænde den.
8. Slå ikke søm i, skær ikke i, knus, kast, tab ikke akkuen og stød ikke akkuen mod en hård genstand. Sådan adfærd kan muligvis resultere i en brand, overdreven varme eller eksplosion.
9. Anvend ikke en beskadiget akku.
10. De indbyggede litium-ion-batterier er underlagt lovkrav vedrørende farligt gods.

Ved kommerciel transport, f.eks. af tredjeparts transportselskaber, skal særlige krav til forpakning og mærkning overholdes.

Ved forberedelse af udstyret til forsendelse skal du kontakte en ekspert i farligt gods. Overhold også eventuel mere detaljeret national lovgivning. Tape eller tildæk åbne kontakter, og pak batteriet på en måde, så det ikke kan flytte sig rundt i pakningen.

11. Når akkuen bortskaftes, skal du fjerne den fra maskinen og bortskaft den på et sikkert sted. Følg de lokale love vedrørende bortskaftelsen af batterier.
12. Brug kun batterierne med de produkter, som Makita specificerer. Hvis batterierne installeres i ikke-kompatible produkter, kan det medføre brand, kraftig varme, eksplosion eller udsivning af elektrolyt.
13. Hvis maskinen ikke skal bruges i længere tid ad gangen, skal du fjerne batteriet fra maskinen.
14. Akkuen kan muligvis under og efter brug være varm, hvilket kan forårsage forbrændinger eller lavtemperaturforbrændinger. Vær påpasselig med håndtering af varme akkuer.
15. Rør ikke terminalerne på maskinen straks efter brug, da den bliver varm nok til at forårsage forbrændinger.
16. Sørg for at spåner, støv eller jord ikke sætter sig fast inde i terminalerne, hullerne og rillerne på akkuen. Det kan muligvis medføre dårlig ydelse eller nedbrud af maskinen eller akkuen.
17. Medmindre maskinen understøtter brugen i nærheden af elektriske højspændingsledninger, skal du ikke anvende akkuen i nærheden af elektriske højspændingsledninger. Det kan muligvis medføre funktionsfejl på eller nedbrud af maskinen eller akkuen.

## GEM DENNE BRUGSANVISNING.

**⚠FORSIGTIG:** Brug kun originale batterier fra Makita. Brug af uoriginale Makita-batterier, eller batterier som er blevet ændret, kan muligvis medføre brud på batteriet, hvilket kan forårsage brand, personskade eller beskadigelse. Det ugyldiggør også Makita-garantien for Makita-maskinen og opladeren.

## Tips til opnåelse af maksimal akku-levetid

1. Oplad akkuen, inden den er helt afladet. Stop altid værktøjet, og oplad akkuen, hvis De bemærker, at værktøjeffekten er aftagende.
2. Genoplad aldrig en fuldt opladet akku. Overopladning vil afkorte akkuens levetid.
3. Oplad akkuen ved stuetemperatur ved 10 °C - 40 °C. Lad altid en varm akku få tid til at køle af, inden den oplades.
4. Når du ikke anvender akkuen, skal du fjerne den fra maskinen eller opladeren.
5. Oplad akkuen, hvis De ikke skal bruge den i længere tid (mere end seks måneder).

## FUNKTIONSBESKRIVELSE

**⚠FORSIGTIG:** Sørg altid for at maskinen er slukket, og at akkuen er taget ud, før der udføres justering eller kontrol af funktioner på maskinen.

### Isætning eller fjernelse af akkuen

**⚠FORSIGTIG:** Sluk altid for værktøjet, før De monterer eller fjerner akkuen.

**⚠FORSIGTIG:** Hold værktøjet og akkuen fast ved montering eller fjernelse af akkuen. Hvis De ikke holder værktøjet og akkuen fast, kan de glide ud af hænderne på Dem og forårsage beskadigelse af værktøjet og akkuen eller personskade.

► Fig. 1: 1. Rød indikator 2. Knap 3. Akku

Akkuen fjernes ved, at De trækker den ud af værktøjet, idet De skyder knappen på forsiden af akkuen i stilling.

Akkuen monteres ved, at De sætter tungen på akkuen ud for noten i kabinetet og lader den glide på plads. Sæt den hele vejen ind, så den låses på plads med et lille klik. Hvis den røde indikator på oversiden af knappen er synlig, betyder det, at den ikke er tilstrækkeligt låst.

**⚠FORSIGTIG:** Monter altid akkuen helt, indtil den røde indikator ikke længere er synlig. Hvis dette ikke gøres, kan den falde ud af værktøjet ved et uheld, hvorved De selv eller personer i nærheden kan komme til skade.

**⚠FORSIGTIG:** Brug ikke magt ved montering af akkuen. Hvis akkuen ikke glider på plads uden problemer, betyder det, at den ikke sættes i på korrekt vis.

## Beskyttelsessystem til værktøj/batteri

Maskinen er udstyret med et beskyttelsessystem til maskinen/batteriet. Dette system afbryder automatisk strømmen til motoren for at forlænge maskinens og batteriets levetid. Maskinen stopper automatisk under brugen, hvis maskinen eller batteriet udsættes for et af følgende forhold:

### Overbelastningsbeskyttelse

Hvis batteriet bruges på en måde, der får det til at trække en unormalt høj strøm, stopper maskinen automatisk uden indikation. Sluk i så fald for maskinen, og stop den anvendelse, der medførte overbelastningen af maskinen. Tænd derefter for maskinen for at starte igen.

### Beskyttelse mod overophedning

Hvis maskinen eller batteriet er overophedet, stopper maskinen automatisk, og lampen blinker. Lad i så fald maskinen og batteriet køle ned, før der tændes for maskinen igen.

### Beskyttelse mod overafledning

Hvis batteriladningen er for lav, stopper maskinen automatisk, og lampen blinker. Tag i så fald batteriet ud af maskinen, og lad batteriet op.

## Indikation af den resterende batteriladning

Tryk på kontrolknappen på akkuen for at få vist den resterende batteriladning. Indikatorlampen lyser i nogle sekunder.

► Fig.2: 1. Indikatorlamper 2. Kontrolknap

Indikatorlamper			Resterende ladning
Tændt	Slukket	Blinker	
			75% til 100%
			50% til 75%
			25% til 50%
			0% til 25%
			Genoplad batteriet.
			Der er muligvis fejl i batteriet.

**BEMÆRK:** Afhængigt af brugsforholdene og den omgivende temperatur kan indikationen afvige en smule fra den faktiske ladning.

## Afbryderbetjening

**⚠FORSIGTIG:** Inden akkuen sættes i maskinen, bør De altid kontrollere, at afbryderknappen fungerer korrekt, og returnerer til "OFF"-positionen, når den slippes.

**BEMÆRKNING:** Anvend ikke låsehåndtaget/hastighedsvælgeren, mens maskinen kører. Maskinen kan blive beskadiget.

► Fig.3: 1. Låsehåndtag/hastighedsvælger  
2. Afbryderknop 3. Status for låsehåndtaget/hastighedsvælgeren


► Fig.4

For at starte maskinen skal du trykke låsehåndtaget/hastighedsvælgeren ned fra enten A- eller B-siden og derefter trække afbryderknappen.

Maskinens hastighed øges ved øget tryk på afbryderknappen. Slip afbryderknappen for at stoppe.

Maskinens maksimale hastighed kan ændres i 2 trin.

- Høj hastighed  
Når låsehåndtaget/hastighedsvælgeren trykkes ned fra A-siden, er slag hastigheden "2".
- Lav hastighed  
Når låsehåndtaget/hastighedsvælgeren trykkes ned fra B-siden, er slag hastigheden "1".

Når låsehåndtaget/hastighedsvælgeren er i stillingen , er maskinen låst, og afbryderknappen kan ikke trækkes.

## Tænding af lampen foran

► Fig.5: 1. Lampe

**⚠FORSIGTIG:** Kig aldrig direkte på lyskilden. Lad ikke lyset falde i Deres øjne.

Tryk afbryderknappen ind for at tænde for lampen. Lampen fortsætter med at lyse, så længe afbryderknappen trykkes ind. Lampen slukker omkring 10 sekunder efter at afbryderknappen er udløst.

**BEMÆRK:** Brug en tør klud til at tørre snavset af lampens linse. Pas på ikke at ridse lampens linse, da dette muligvis kan dæmpe belysningen.

**BEMÆRK:** Når maskinen er overophedet, blinker lampen i et minut. Afkøl i så fald maskinen, før den anvendes igen.

## Indstilling af føringsanslaget

Når bajonetsavklingens skærekant er nedslidt på et sted, kan du ændre føringsanslagets indstilling, så du efterfølgende kan anvende et skarpt, ubrugt sted på savklingen. Derved forlænges bajonetsavklingens levetid.

Føringsanslagets indstilling kan justeres i 6 niveauer. For at ændre føringsanslagets indstilling skal du åbne føringsanslagets justeringshåndtag og vælge den passende indstilling og derefter lukke føringsanslagets justeringshåndtag.

► Fig.6: 1. Føringsanslag 2. Føringsanslagets justeringshåndtag

**BEMÆRKNING:** Føringsanslaget kan ikke fastgøres, hvis det er trukket længere ud end til **■**-mærket på **MAX** → **!**-stemplet. Undlad at lukke føringsanslagets justeringshåndtag med magt i en sådan position. Det kan medføre, at håndtaget brækker.

**BEMÆRK:** Føringsanslaget kan ikke indstilles uden at åbne føringsanslagets justeringshåndtag helt.

## Krog

**▲FORSIGTIG:** Ved ophængning af maskinen skal låsehåndtaget/hastighedsvælgeren sættes i stillingen **!** for at låse afbryderknappen. (Se afsnittet "Afbryderfunktion".)

**▲FORSIGTIG:** Ophæng aldrig maskinen på et højtliggende eller potentielt ustabilt sted.

► Fig.7: 1. Krog

Krogen er praktisk til midlertidig ophængning af maskinen.

For at bruge krogen skal du blot løfte krogen, indtil den fastlåses i den åbne stilling.

Når den ikke er i brug, skal du sænke krogen, indtil den fastlåses i den lukkede stilling.

## Elektronisk funktion

Maskinen er udstyret med elektroniske funktioner for nem betjening.

## Konstant hastighedskontrol

Funktionen til hastighedskontrol sørger for konstant rotationshastighed uanset belastningsforholdene.

## SAMLING

**▲FORSIGTIG:** Sørg altid for at maskinen er slukket, og at akkuen er taget ud, før der udføres noget arbejde på maskinen.

## Montering eller afmontering af bajonetsavklingen

**▲FORSIGTIG:** Fjern altid spån eller fremmedlegemer, der måtte klæbe til savklingen, og omkring klingefastholderen. Forsømmelse af dette kan resultere i utilstrækkelig tilspænding af savklingen, hvilket igen kan føre til alvorlig personskade.

For at installere bajonetsavklingen skal du trække udløserhåndtaget så langt det kan komme, så klingefastholdermuffen kommer i den frigjorte stilling, før bajonetsavklingen indsættes.

► Fig.8: 1. Udløserhåndtag 2. Klingefastholdermuffe 3. Frigjort stilling 4. Fastgjort stilling

**BEMÆRK:** Træk altid udløserhåndtaget helt til enden. Hvis ikke, kommer klingefastholdermuffen ikke hen til den frigjorte stilling, og bajonetsavklingen kan ikke indsættes.

Sæt bajonetsavklingen så langt som muligt ind i åbningsen på klingefastholdermuffen. Klingefastholdermuffen vil fange bajonetsavklingen med et klik. Kontrollér, at bajonetsavklingen ikke kan trækkes ud, selv om dette forsøges.

► Fig.9: 1. Bajonetsavklinge 2. Klingefastholdermuffe

**▲FORSIGTIG:** Hvis De ikke sætter bajonetsavklingen tilstrækkeligt langt ind, kan bajonetsavklingen pludselig blive skudt ud under brugen. Dette kan være ekstremt farligt.

For at afmontere bajonetsavklingen skal du trække udløserhåndtaget hele vejen i pilens retning.

► Fig.10: 1. Bajonetsavklinge 2. Udløserhåndtag

**BEMÆRKNING:** Betjen aldrig udløserhåndtaget, når afbryderknappen betjenes. Hvis du gør dette, kan det medføre funktionsfejl.

## ANVENDELSE

**▲FORSIGTIG:** De skal altid trykke føringsanslaget fast mod arbejdsemnet under brug. Hvis føringsanslaget fjernes eller holdes væk fra arbejdsemnet under arbejdet, vil der opstå kraftig vibration og/eller vridning, hvorved klingens kan springe farligt.

**▲FORSIGTIG:** Ved savning i metal bør De altid bære handsker for at beskytte hænderne mod flyvende, varme spåner.

**▲FORSIGTIG:** Sørg altid for at bære passende øjenbeskyttelse, som er i overensstemmelse med de gældende nationale standarder.

**▲FORSIGTIG:** Ved savning i metal bør De altid anvende et egnet kølemiddel (skæreolie). Hvis De ikke gør det, medfører det unødvendigt slid på savklingen.

**▲FORSIGTIG:** Bøj ikke klingens under skæringen.

Tryk føringsanslaget fast mod arbejdsemnet. Lad ikke maskinen springe. Hold saven således, at bajonetsavklingen netop berører arbejdsemnet. Start med at lave en styreille ved lav hastighed. Brug derefter en højere hastighed til at fortsætte snittet.

► Fig.11

**BEMÆRKNING:** Undlad at skære i arbejdsemnet, når føringsanslaget ikke er i kontakt med arbejdsemnet, eller uden føringsanslaget. Hvis du gør dette, forøges reaktionskraften, hvilket kan brække bajonetsavklingen.

## VEDLIGEHOJDELSE

**⚠FORSIGTIG:** Vær altid sikker på, at værktøjet er slukket, og at akkuen er taget ud, inden De begynder at udføre inspektion eller vedligeholdelse.

**BEMÆRKNING:** Anvend aldrig benzin, rensebenzin, fortynder, alkohol og lignende. Det kan medføre misfarvning, deformation eller revner.

For at opretholde produktets SIKKERHED og PÅLIDELIGHED må reparation, vedligeholdelse eller justering kun udføres af et autoriseret Makita servicecenter eller fabrikksservicecenter med anvendelse af Makita reservedele.

## EKSTRAUDSTYR

**⚠FORSIGTIG:** Det følgende tilbehør og ekstraudstyr er anbefalet til brug med Deres Makita maskine, der er beskrevet i denne brugsanvisning. Anvendelse af andet tilbehør eller ekstraudstyr kan udgøre en risiko for personskade. Anvend kun tilbehør og ekstraudstyr til det beskrevne formål.

Hvis De behøver hjælp ved valg af tilbehør eller ønsker yderligere informationer, bedes De kontakte Deres lokale Makita servicecenter.

- Bajonetsavklinger
- Original Makita-akku og oplader

**BEMÆRK:** Nogle ting på denne liste kan være inkluderet i værktøjspakken som standardtilbehør. Det kan være forskellige fra land til land.



## ΠΡΟΔΙΑΓΡΑΦΕΣ

<b>Μοντέλο:</b>		<b>JR001G</b>
Μήκος διαδρομής		32 mm
Διαδρομές ανά λεπτό	Υψηλές (2)	0 - 3.000 min <sup>-1</sup>
	Χαμηλές (1)	0 - 2.300 min <sup>-1</sup>
Μέγιστες ικανότητες κοπής	Σωλήνας	130 mm
	Ξύλο	255 mm
Όνομαστική τάση		D.C. 36 V - 40 V μέγ.
Συνολικό μήκος	με BL4025	457 mm
	μεBL4040	472 mm
Καθαρό βάρος		4,2 - 4,5 kg

- Λόγω του συνεχιζόμενου προγράμματος έρευνας και ανάπτυξης, οι προδιαγραφές αυτές υπόκεινται σε αλλαγές χωρίς προειδοποίηση.
- Οι προδιαγραφές και η κασέτα μπαταριών μπορεί να διαφέρουν ανάλογα με τη χώρα.
- Το βάρος μπορεί να διαφέρει ανάλογα με τα προσαρτήματα, συμπεριλαμβάνοντας την κασέτα μπαταριών. Ο ελαφρύτερος και ο βαρύτερος συνδυασμός, σύμφωνα με τη διαδικασία ΕΡΤΑ 01/2014, παρουσιάζονται στον πίνακα.

### Ισχύουσα κασέτα μπαταριών και φορτιστής

Κασέτα μπαταρίας	BL4025 / BL4040
Φορτιστής	DC40RA

- Ορισμένες από τις κασέτες και τους φορτιστές μπαταριών που αναγράφονται παραπάνω ίσως να μην είναι διαθέσιμοι, ανάλογα με την τοποθεσία κατοικίας σας.

**⚠ ΠΡΟΕΙΔΟΠΟΙΗΣΗ:** Να χρησιμοποιείτε μόνο τις κασέτες μπαταριών και τους φορτιστές που παρατίθενται ανωτέρω. Η χρήση οποιασδήποτε άλλης κασέτας μπαταριών ή φορτιστή μπορεί να προκαλέσει τραυματισμό ή/και πυρκαγιά.

### Προοριζόμενη χρήση

Το εργαλείο προορίζεται για πριόνισμα ξύλου, πλαστικού και σιδηρούχων υλικών.

### Θόρυβος

Το τυπικό A επίπεδο καταμετρημένου θορύβου καθορίζεται σύμφωνα με το EN62841-2-11:  
 Στάθμη ηχητικής πίεσης (L<sub>PA</sub>): 85 dB (A)  
 Στάθμη ηχητικής ισχύος (L<sub>WA</sub>): 96 dB (A)  
 Αβεβαιότητα (K): 3 dB (A)

**ΠΑΡΑΤΗΡΗΣΗ:** Η δηλωμένη τιμή(ές) εκπομπής θορύβου έχει μετρηθεί σύμφωνα με την πρότυπη μέθοδο δοκιμής και μπορεί να χρησιμοποιηθεί για τη σύγκριση ενός εργαλείου με κάποιο άλλο.

**ΠΑΡΑΤΗΡΗΣΗ:** Η δηλωμένη τιμή(ές) εκπομπής θορύβου μπορεί να χρησιμοποιηθεί και στην προκαταρκτική αξιολόγηση της έκθεσης.

**⚠ ΠΡΟΕΙΔΟΠΟΙΗΣΗ:** Να φοράτε ωτοασπίδες.

**⚠ ΠΡΟΕΙΔΟΠΟΙΗΣΗ:** Η εκπομπή θορύβου κατά τη χρήση του ηλεκτρικού εργαλείου σε πραγματικές συνθήκες μπορεί να διαφέρει από τη δηλωμένη τιμή(ές) ανάλογα με τους τρόπους χρήσης του εργαλείου, ιδιαίτερα το είδος του τεμαχίου εργασίας που υπόκειται επεξεργασία.

**⚠ ΠΡΟΕΙΔΟΠΟΙΗΣΗ:** Φροντίστε να λάβετε τα κατάλληλα μέτρα προστασίας του χειριστή βάσει ενός υπολογισμού της έκθεσης σε πραγματικές συνθήκες χρήσης (λαμβάνοντας υπόψη όλες τις συνιστώσες του κύκλου λειτουργίας όπως τους χρόνους που το εργαλείο είναι εκτός λειτουργίας και όταν βρίσκεται σε αδρανή λειτουργία πέραν του χρόνου ενεργοποίησης).

### Κραδασμός

Η ολική τιμή δόνησης (άθροισμα τρι-αξονικού διανύσματος) καθορίζεται σύμφωνα με το EN62841-2-11:  
 Είδος εργασίας: κοπή σανίδων  
 Εκπομπή δόνησης (a<sub>h,B</sub>): 18,0 m/s<sup>2</sup>  
 Αβεβαιότητα (K): 1,5 m/s<sup>2</sup>  
 Είδος εργασίας: κοπή ξύλινων δοκών  
 Εκπομπή δόνησης (a<sub>h,WB</sub>) 19,5 m/s<sup>2</sup>  
 Αβεβαιότητα (K): 2,0m/s<sup>2</sup>

**ΠΑΡΑΤΗΡΗΣΗ:** Η δηλωμένη τιμή(ές) συνολικών κραδασμών έχει μετρηθεί σύμφωνα με την πρότυπη μέθοδο δοκιμής και μπορεί να χρησιμοποιηθεί για τη σύγκριση ενός εργαλείου με κάποιο άλλο.

**ΠΑΡΑΤΗΡΗΣΗ:** Η δηλωμένη τιμή(ές) συνολικών κραδασμών μπορεί να χρησιμοποιηθεί και στην προ-καταρκτική αξιολόγηση της έκθεσης.

**▲ΠΡΟΕΙΔΟΠΟΙΗΣΗ:** Η εκπομπή κραδασμών κατά τη χρήση του ηλεκτρικού εργαλείου σε πραγματικές συνθήκες μπορεί να διαφέρει από τη δηλωμένη τιμή(ές) εκπομπής ανάλογα με τους τρόπους χρήσης του εργαλείου, ιδιαίτερα το είδος του τεμαχίου εργασίας που υπόκειται επεξεργασία.

**▲ΠΡΟΕΙΔΟΠΟΙΗΣΗ:** Φροντίστε να λάβετε τα κατάλληλα μέτρα προστασίας του χειριστή βάσει ενός υπολογισμού της έκθεσης σε πραγματικές συνθήκες χρήσης (λαμβάνοντας υπόψη όλες τις συνιστώσες του κύκλου λειτουργίας όπως τους χρόνους που το εργαλείο είναι εκτός λειτουργίας και όταν βρίσκεται σε αδρανή λειτουργία πέραν του χρόνου ενεργοποίησης).

## Δήλωση συμμόρφωσης ΕΚ

*Μόνο για χώρες της Ευρώπης*

Η δήλωση συμμόρφωσης ΕΚ περιλαμβάνεται ως Παράρτημα Α στο παρόν εγχειρίδιο οδηγιών.

## ΠΡΟΕΙΔΟΠΟΙΗΣΕΙΣ ΑΣΦΑΛΕΙΑΣ

### Γενικές προειδοποιήσεις ασφαλείας για το ηλεκτρικό εργαλείο

**▲ΠΡΟΕΙΔΟΠΟΙΗΣΗ:** Διαβάστε όλες τις προειδοποιήσεις ασφαλείας, οδηγίες, εικονογραφήσεις και προδιαγραφές που παρέχονται με αυτό το ηλεκτρικό εργαλείο. Η μη τήρηση όλων των οδηγιών που αναγράφονται κατωτέρω μπορεί να καταλήξει σε ηλεκτροπληξία, πυρκαγιά ή/και σοβαρό τραυματισμό.

### Φυλάξτε όλες τις προειδοποιήσεις και τις οδηγίες για μελλοντική παραπομπή.

Στις προειδοποιήσεις, ο όρος «ηλεκτρικό εργαλείο» αναφέρεται σε ηλεκτρικό εργαλείο που τροφοδοτείται από την κύρια παροχή ηλεκτρικού ρεύματος (με ηλεκτρικό καλώδιο) ή σε ηλεκτρικό εργαλείο που τροφοδοτείται από μπαταρία (χωρίς ηλεκτρικό καλώδιο).

### Προειδοποιήσεις ασφαλείας για το παλινδρομικό πριόνι μπαταρίας

1. Να κρατάτε το ηλεκτρικό εργαλείο από τις μονωμένες επιφάνειες λαβής όταν εκτελείτε εργασίες κατά τις οποίες το εξάρτημα κοπής μπορεί να έρθει σε επαφή με κρυμμένα καλώδια. Σε περίπτωση επαφής του εξαρτήματος κοπής με ηλεκτροφόρο καλώδιο, μπορεί να εκτεθειμένα μεταλλικά εξαρτήματα του ηλεκτρικού εργαλείου να καταστούν τα ίδια ηλεκτροφόρα και να προκαλέσουν ηλεκτροπληξία στο χειριστή.

2. Να χρησιμοποιείτε σφιγκτήρες ή κάποιο άλλο πρακτικό μέσο για να ασφαλίσετε και να στηρίξετε το τεμάχιο εργασίας σε μια σταθερή πλατφόρμα. Αν κρατάτε το τεμάχιο εργασίας με το χέρι σας ή επάνω στο σώμα σας, θα είναι ασταθές και μπορεί να χάσετε τον έλεγχο.
3. Να χρησιμοποιείτε πάντα γυαλιά ασφαλείας ή προστατευτικά γυαλιά. Τα συνηθισμένα γυαλιά οράσεως ή γυαλιά ηλίου ΔΕΝ είναι γυαλιά ασφαλείας.
4. Να αποφεύγετε την κοπή καρφιών. Να επιθεωρείτε το τεμάχιο εργασίας για καρφιά και αφαιρέστε τα πριν από τη λειτουργία.
5. Μην κόβετε υπερμεγέθη τεμάχια εργασίας.
6. Πριν από την κοπή, να ελέγχετε ότι υπάρχει επαρκής απόσταση πίσω από το τεμάχιο εργασίας ώστε η λάμα να μη χτυπήσει το δάπεδο, τον πάγκο εργασίας, κτλ.
7. Κρατήστε το εργαλείο σταθερά.
8. Να βεβαιώνετε ότι η λάμα δεν ακουμπάει το τεμάχιο εργασίας πριν ενεργοποιήσετε το διακόπτη.
9. Μην πλησιάζετε τα χέρια σας σε κινούμενα μέρη.
10. Μην αφήνετε το εργαλείο σε λειτουργία. Το εργαλείο πρέπει να βρίσκεται σε λειτουργία μόνο όταν το κρατάτε.
11. Να σβήνετε πάντα το εργαλείο και να περιμένετε να σταματήσει να κινείται εντελώς η λάμα πριν τη βγάλετε από το τεμάχιο εργασίας.
12. Μην αγγίζετε τη λάμα ή το τεμάχιο εργασίας αμέσως μετά τη λειτουργία. Μπορεί να είναι εξαιρετικά ζεστά και να σας προκαλέσουν εγκαύματα.
13. Μη θέτετε το εργαλείο σε λειτουργία χωρίς φορτίο όταν αυτό δεν είναι απαραίτητο.
14. Να χρησιμοποιείτε πάντα προσωπίδα κατά της σκόνης/αναπνευστήρα που είναι κατάλληλα για το υλικό και την εφαρμογή σας.
15. Μερικά υλικά περιέχουν χημικά που μπορεί να είναι τοξικά. Προσέχετε ώστε να αποφεύγετε την εισπνοή σκόνης και την επαφή με το δέρμα. Ακολουθείτε τα δεδομένα ασφαλείας υλικού που παρέχονται από τον προμηθευτή.
16. Πριν τη λειτουργία, βεβαιωθείτε ότι δεν υπάρχουν ενταφιασμένα αντικείμενα, όπως ηλεκτρικά καλώδια, σωλήνες νερού ή σωλήνες αερίου στο τεμάχιο εργασίας. Διαφορετικά, η λάμα σταθσοεγας μπορεί να τα αγγίξει, προκαλώντας ηλεκτροπληξία, διαρροή ηλεκτρικού ρεύματος ή διαρροή αερίου.

### ΦΥΛΑΞΤΕ ΤΙΣ ΟΔΗΓΙΕΣ ΑΥΤΕΣ.

**▲ΠΡΟΕΙΔΟΠΟΙΗΣΗ:** ΜΗΝ επιτρέψετε το βαθμό άνεσης ή εξοικείωσης με το προϊόν (λόγω επανειλημμένης χρήσης) να αντικαταστήσει την αυστηρή τήρηση των κανόνων ασφαλείας του παρόντος εργαλείου. Η ΛΑΝΘΑΣΜΕΝΗ ΧΡΗΣΗ ή η αμέλεια να ακολουθήσετε τους κανόνες ασφαλείας που διατυπώνονται στο παρόν εγχειρίδιο οδηγιών μπορεί να προκαλέσει σοβαρό προσωπικό τραυματισμό.

## Σημαντικές οδηγίες ασφάλειας για κασέτα μπαταριών


1. Πριν χρησιμοποιήσετε την κασέτα μπαταριών, διαβάστε όλες τις οδηγίες και σημειώσεις προφύλαξης (1) στον φορτιστή μπαταριών, (2) στην μπαταρία και (3) στο προϊόν που χρησιμοποιείτε την μπαταρία.
2. Μην απουναρμολογήσετε ή παραβιάσετε την κασέτα μπαταριών. Μπορεί να έχει ως αποτέλεσμα πυρκαγιά, υπερθέρμανση ή έκρηξη.
3. Εάν ο χρόνος λειτουργίας έχει γίνει υπερβολικά βραχύς, σταματήστε τη λειτουργία αμέσως. Αλλιώς, μπορεί να έχει ως αποτέλεσμα κίνδυνο υπερθέρμανσης, πιθανά εγκαύματα ή ακόμη και έκρηξη.
4. Εάν ηλεκτρολύτης μπει στα μάτια σας, ξεπλύνετε τα με καθαρό νερό και ζητήστε ιατρική φροντίδα αμέσως. Αλλιώς, μπορεί να έχει ως αποτέλεσμα απώλεια της όρασης σας.
5. Μην βραχυκυκλώνετε την κασέτα μπαταριών:
  - (1) Μην αγγίζετε τους πόλους με οτιδήποτε αγώγιμο υλικό.
  - (2) Αποφεύγετε να αποθηκεύετε την κασέτα μπαταριών μέσα σε ένα δοχείο μαζί με άλλα μεταλλικά αντικείμενα όπως καρφιά, νομίσματα, κλπ.
  - (3) Μην εκθέτετε την κασέτα μπαταριών στο νερό ή στη βροχή.Ένα βραχυκύκλωμα μπαταρίας μπορεί να προκαλέσει μεγάλη ροή ρεύματος, υπερθέρμανση, πιθανά εγκαύματα ακόμη και σοβαρή βλάβη.
6. Μην αποθηκεύετε το εργαλείο και την κασέτα μπαταριών σε τοποθεσίες όπου η θερμοκρασία μπορεί να φτάσει ή να ξεπεράσει τους 50°C.
7. Μην καίτε την κασέτα μπαταριών ακόμη και εάν έχει σοβαρή ζημιά ή είναι εντελώς φθαρμένη. Η κασέτα μπαταριών μπορεί να εκραγεί στη φωτιά.
8. Μην καρφώσετε, κόψετε, συνθλίψετε, πετάξετε ή ρίξετε κάτω την κασέτα μπαταριών, ούτε να χτυπήσετε ένα σκληρό αντικείμενο επάνω στην κασέτα μπαταριών. Τέτοια συμπεριφορά μπορεί να έχει ως αποτέλεσμα πυρκαγιά, υπερθέρμανση ή έκρηξη.
9. Μην χρησιμοποιείτε μπαταρία που έχει υποστεί ζημιά.
10. Οι μπαταρίες ιόντων λιθίου που περιέχονται υπόκεινται στις απαιτήσεις της νομοθεσίας για επικίνδυνα αγαθά.

Για εμπορικές μεταφορές, για παράδειγμα από τρίτα μέρη, πρέπει να τηρούνται οι διαμεταφορές, οι ειδικές απαιτήσεις στη συσκευασία και η επισήμανση.

Για προετοιμασία του στοιχείου που αποστέλλεται, είναι απαραίτητο να συμβουλευτείτε έναν ειδικό για επικίνδυνα υλικά. Επίσης, τηρήστε τους πιθανούς, πιο αναλυτικούς εθνικούς κανονισμούς. Καλύψτε με αυτοκόλλητη ταινία ή κρύψτε τις ανοικτές επαφές και συσκευάστε την μπαταρία με τρόπο που να μην μπορεί να μετακινείται μέσα στη συσκευασία.

11. Όταν απορρίπτετε την κασέτα μπαταριών, αφαιρέστε την από το εργαλείο και διαθέστε την σε ένα ασφαλές μέρος. Τηρήστε τους τοπικούς κανονισμούς που σχετίζονται με τη διάθεση της μπαταρίας.
12. Χρησιμοποιήστε τις μπαταρίες μόνο με τα προϊόντα που καθορίζει η Makita. Αν τοποθετήσετε τις μπαταρίες σε μη συμβατά προϊόντα μπορεί να έχει ως αποτέλεσμα πυρκαγιά, υπερβολική θερμότητα, έκρηξη ή διαρροή ηλεκτρολύτη.
13. Αν δεν χρησιμοποιείτε το εργαλείο για μεγάλο χρονικό διάστημα, πρέπει να βγάλετε την μπαταρία από το εργαλείο.
14. Κατά τη διάρκεια και μετά τη χρήση, η κασέτα μπαταριών μπορεί να θερμανθεί, γεγονός που μπορεί να προκαλέσει εγκαύματα ή εγκαύματα από χαμηλή θερμοκρασία. Προσέχετε το χειρισμό των ζεστών κασετών μπαταριών.
15. Μην αγγίζετε τον ακροδέκτη του εργαλείου αμέσως μετά τη χρήση επειδή μπορεί να έχει ζεσταθεί αρκετά για να προκαλέσει εγκαύματα.
16. Μην αφήνετε θραύσματα, σκόνη ή βρομιά να κολλήσει στους ακροδέκτες, τις σπές και τις εγκοπές της κασέτας μπαταριών. Μπορεί να έχει ως αποτέλεσμα κακή απόδοση ή σπάσιμο του εργαλείου ή της κασέτας μπαταριών.
17. Εκτός αν το εργαλείο υποστηρίζει τη χρήση κοντά σε ηλεκτρικές γραμμές υψηλής τάσης, μην χρησιμοποιείτε την κασέτα μπαταριών κοντά σε ηλεκτρικές γραμμές υψηλής τάσης. Μπορεί να έχει ως αποτέλεσμα δυσλειτουργία ή σπάσιμο του εργαλείου ή της κασέτας μπαταριών.

## ΦΥΛΑΞΤΕ ΤΙΣ ΟΔΗΓΙΕΣ ΑΥΤΕΣ.

 **ΠΡΟΣΟΧΗ:** Να χρησιμοποιείτε μόνο γνήσιες μπαταρίες της Makita. Η χρήση μη γνήσιων μπαταριών Makita, ή μπαταριών που έχουν τροποποιηθεί, μπορεί να έχει ως αποτέλεσμα τη ρήξη της μπαταρίας, προκαλώντας πυρκαγιά, προσωπικό τραυματισμό και βλάβη. Επίσης, θα ακυρωθεί η εγγύηση της Makita για το εργαλείο και φορτιστή Makita.

## Συμβουλές για τη διατήρηση της μέγιστης ζωής μπαταρίας

1. Φορτίζετε την κασέτα μπαταριών πριν από την πλήρη αποφόρτισή της. Πάντοτε να σταματάτε τη λειτουργία του εργαλείου και να φορτίζετε την κασέτα μπαταριών όταν παρατηρείτε μειωμένη ισχύ εργαλείου.
2. Ποτέ μην επαναφορτίζετε μια πλήρως φορτισμένη κασέτα μπαταριών. Η υπερφόρτιση μειώνει την ωφέλιμη ζωή της μπαταρίας.
3. Να φορτίζετε την κασέτα μπαταριών σε θερμοκρασία δωματίου, δηλαδή στους 10°C έως 40°C. Αφήστε μια θερμή κασέτα μπαταριών να κρυώσει πριν την φορτίσετε.
4. Όταν δεν χρησιμοποιείτε την κασέτα μπαταριών, αφαιρέστε την από το εργαλείο ή τον φορτιστή.
5. Να φορτίζετε την κασέτα μπαταριών εάν δεν τη χρησιμοποιείτε για μεγάλη χρονική περίοδο (περισσότερο από έξι μήνες).

## ΠΕΡΙΓΡΑΦΗ ΛΕΙΤΟΥΡΓΙΑΣ

**▲ ΠΡΟΣΟΧΗ:** Να φροντίζετε πάντα για την απενεργοποίηση του εργαλείου και την αφαίρεση της κασέτας μπαταρίας, πριν από οποιαδήποτε ρύθμιση ή έλεγχο της λειτουργίας του.

### Τοποθέτηση ή αφαίρεση της κασέτας μπαταριών

**▲ ΠΡΟΣΟΧΗ:** Να σβήνετε πάντα το εργαλείο πριν τοποθετήσετε ή αφαιρέσετε την κασέτα μπαταριών.

**▲ ΠΡΟΣΟΧΗ:** Κρατήστε το εργαλείο και την κασέτα μπαταριών σταθερά κατά την τοποθέτηση ή αφαίρεση της κασέτας μπαταριών. Εάν δεν κρατάτε το εργαλείο και την κασέτα μπαταριών σταθερά μπορεί να γλιστρήσουν από τα χέρια σας και να προκληθεί βλάβη στο εργαλείο και την κασέτα μπαταριών και προσωπικός τραυματισμός.

► **Εικ.1:** 1. Κόκκινη ένδειξη 2. Κουμπί 3. Κασέτα μπαταριών

Για να αφαιρέσετε την κασέτα μπαταριών, ολισθήστε την από το εργαλείο ενώ σύρετε το κουμπί στο μπροστινό μέρος της κασέτας.

Για να τοποθετήσετε την κασέτα μπαταριών, ευθυγραμμίστε τη γλώσσα στην κασέτα μπαταριών με την αυλάκα στην υποδοχή και ολισθήστε τη στη θέση της. Να την τοποθετείτε πλήρως μέχρι να ασφαλίσει στη θέση της, γεγονός που υποδεικνύεται με ένα χαρακτηριστικό ήχο. Εάν μπορείτε να δείτε την κόκκινη ένδειξη στην επάνω πλευρά του κουμπιού, δεν έχει κλειδώσει τελείως.

**▲ ΠΡΟΣΟΧΗ:** Να τοποθετείτε πάντα την κασέτα μπαταριών πλήρως μέχρι να μη βλέπετε την κόκκινη ένδειξη. Εάν δεν ασφαλιστεί, μπορεί να πέσει από το εργαλείο τυχαία, προκαλώντας σωματική βλάβη σε εσάς ή κάποιον άλλο γύρω σας.

**▲ ΠΡΟΣΟΧΗ:** Μην τοποθετείτε την κασέτα μπαταριών με βία. Εάν η κασέτα δεν ολισθαίνει με ευκολία, τότε δεν έχει τοποθετηθεί κατάλληλα.

### Σύστημα προστασίας εργαλείου/ μπαταρίας

Το εργαλείο είναι εξοπλισμένο με σύστημα προστασίας εργαλείου/μπαταρίας. Αυτό το σύστημα αποκρίνει αυτόματα την ισχύ προς το μοτέρ για να παραταθεί η διάρκεια λειτουργίας του εργαλείου και της μπαταρίας. Το εργαλείο σταματάει αυτόματα κατά τη διάρκεια της λειτουργίας εάν το εργαλείο ή η μπαταρία βρεθούν κάτω από τις παρακάτω συνθήκες:

### Προστασία υπερφόρτωσης

Όταν η μπαταρία λειτουργεί με τρόπο ώστε να αναγκάζεται να καταναλώνει ασυνήθιστα υψηλό ρεύμα, το εργαλείο σταματάει αυτόματα χωρίς καμία ένδειξη. Σε αυτή την κατάσταση, σβήστε το εργαλείο και διακόψτε την εφαρμογή που προκαλεί την υπερφόρτωση του εργαλείου. Μετά, ενεργοποιήστε το εργαλείο για επανεκκίνηση.

### Προστασία υπερθέρμανσης

Όταν το εργαλείο ή η μπαταρία υπερθερμανθεί, η λειτουργία του εργαλείου σταματάει αυτόματα και η λάμπα αναβοσβήνει. Σε αυτή την περίπτωση, αφήστε το εργαλείο και την μπαταρία να ψυχθούν πριν ενεργοποιηθείτε ξανά το εργαλείο.

### Προστασία υπερβολικής αποφόρτισης

Όταν η κατάσταση φόρτισης της μπαταρίας δεν επαρκεί, η λειτουργία του εργαλείου σταματάει αυτόματα και η λυχνία αναβοσβήνει. Σε αυτή την περίπτωση, βγάλτε την μπαταρία από το εργαλείο και φορτίστε τη μπαταρία.

### Εμφάνιση υπολειπόμενης χωρητικότητας μπαταρίας

Πέστε το κουμπί ελέγχου στην κασέτα μπαταριών για να υποδείξετε την υπολειπόμενη χωρητικότητα μπαταρίας. Οι ενδεικτικές λυχνίες ανάβουν για λίγα δευτερόλεπτα.

► **Εικ.2:** 1. Ενδεικτικές λυχνίες 2. Κουμπί ελέγχου

Ενδεικτικές λυχνίες			Υπολειπόμενη χωρητικότητα
■ Αναμμένες	□ Σβηστές	▧ Αναβοσβήνουν	
■ ■ ■ ■			75% έως 100%
■ ■ ■ □			50% έως 75%
■ ■ □ □			25% έως 50%
■ □ □ □			0% έως 25%
▧ □ □ □			Φορτίστε την μπαταρία.
■ ■ □ □			Μπορεί να προκύψει δυσλειτουργία στην μπαταρία.
□ □ ■ ■			

**ΠΑΡΑΤΗΡΗΣΗ:** Ανάλογα με τις συνθήκες χρήσης και τη θερμοκρασία περιβάλλοντος, η ένδειξη μπορεί να διαφέρει λίγο από την πραγματική χωρητικότητα.

### Δράση διακοπής

**▲ ΠΡΟΣΟΧΗ:** Πριν βάλετε την κασέτα μπαταρίας μέσα στο εργαλείο, να ελέγχετε πάντα να δείτε αν η σκανδάλη διακοπής ενεργοποιείται κανονικά και επιστρέφει στη θέση «OFF» όταν ελευθερώνεται.

**ΕΙΔΟΠΟΙΗΣΗ:** Μη χρησιμοποιείτε το μοχλό ασφάλισης/αλλαγής ταχύτητας όταν λειτουργεί το εργαλείο. Μπορεί να προκληθεί βλάβη στο εργαλείο.

► **Εικ.3:** 1. Μοχλός ασφάλισης/αλλαγής ταχύτητας 2. Σκανδάλη διακοπής 3. Κατάσταση του μοχλού ασφάλισης/αλλαγής ταχύτητας

#### ► Εικ.4

Για να ξεκινήσετε τη λειτουργία του εργαλείου, πιέστε το μοχλό ασφάλισης/αλλαγής ταχύτητας από την πλευρά Α ή Β και τραβήξτε τη σκανδάλη διακόπτη. Η ταχύτητα του εργαλείου αυξάνεται αν αυξήσετε την πίεση στη σκανδάλη διακόπτη. Για διακοπή της λειτουργίας, αφήστε τη σκανδάλη-διακόπτη.

Μπορείτε να αλλάξετε τη μέγιστη ταχύτητα εργαλείου σε 2 βήματα.

- Για υψηλή ταχύτητα  
Όταν πατάτε το μοχλό ασφάλισης/αλλαγής ταχύτητας από την πλευρά Α, η ταχύτητα διαδρομής βρίσκεται στο «2».
- Για χαμηλή ταχύτητα  
Όταν πατάτε το μοχλό ασφάλισης/αλλαγής ταχύτητας από την πλευρά Β, η ταχύτητα διαδρομής βρίσκεται στο «1».

Όταν ο μοχλός ασφάλισης/αλλαγής ταχύτητας βρίσκεται στη θέση **1**, το εργαλείο είναι ασφαλισμένο και η σκανδάλη διακόπτης δεν μπορεί να τραβηχθεί.

### Αναμμα της μπροστινής λάμπας

#### ► Εικ.5: 1. Λάμπα

**ΠΡΟΣΟΧΗ:** Μην κοιτάζετε κατευθείαν μέσα στο φως ή στην πηγή φωτός.

Τραβήξτε τη σκανδάλη διακόπτη για να ενεργοποιήσετε τη λάμπα. Η λάμπα εξακολουθεί να είναι αναμμένη όσο τραβάτε τη σκανδάλη διακόπτη. Η λάμπα σβήνει περίπου 10 δευτερόλεπτα αφού αφήσετε τη σκανδάλη διακόπτη.

**ΠΑΡΑΤΗΡΗΣΗ:** Χρησιμοποιήστε ένα στεγνό πανί για να σκουπίσετε τη σκόνη από το φακό της λάμπας. Προσέχετε να μη γρατζουνίσετε το φακό της λάμπας, επειδή μπορεί να μειωθεί η ένταση του φωτισμού.

**ΠΑΡΑΤΗΡΗΣΗ:** Όταν το εργαλείο υπερθερμανθεί, το φωτάκι αναβοσβήνει για ένα λεπτό. Σε αυτή την περίπτωση, αφήστε το εργαλείο να κρυώσει πριν μια άλλη λειτουργία.

### Ρύθμιση του πέλματος

Όταν μειωθεί η απόδοση κοπής της λάμψας σπαθοσέγας σε κάποιο σημείο κατά μήκος του άκρου κοπής της, τοποθετήστε ξανά το πέλμα ώστε να χρησιμοποιήσετε ένα κοφτερό, αχρησιμοποίητο τμήμα του άκρου κοπής. Έτσι επιμηκύνεται η διάρκεια λειτουργίας της λάμψας σπαθοσέγας.

Η θέση του πέλματος μπορεί να ρυθμιστεί σε 6 επίπεδα. Για αλλαγή της θέσης του πέλματος, ανοίξτε το μοχλό ρύθμισης πέλματος και επιλέξτε την κατάλληλη θέση, μετά κλείστε το μοχλό ρύθμισης πέλματος.

► **Εικ.6:** 1. Πέλμα 2. Μοχλός ρύθμισης πέλματος

**ΕΙΔΟΠΟΙΗΣΗ:** Το πέλμα δεν μπορεί να ασφαλιστεί αν εκταθεί πέρα από το σημάδι **1** της ένδειξης **MAX** → **1**. Μην κλείσετε το μοχλό ρύθμισης πέλματος εξαναγκαστικά σε μια τέτοια θέση. Μπορεί να σπάσει ο μοχλός.

**ΠΑΡΑΤΗΡΗΣΗ:** Η ρύθμιση του πέλματος δεν μπορεί να πραγματοποιηθεί χωρίς να ανοίξετε πλήρως το μοχλό ρύθμισης πέλματος.

### Γάντζος

**ΠΡΟΣΟΧΗ:** Όταν κρεμάτε το εργαλείο, ρυθμίστε το μοχλό ασφάλισης/αλλαγής ταχύτητας στη θέση **1** για να ασφαλίσετε τη σκανδάλη διακόπτη. (Βλέπε παράγραφο με τίτλο «Δράση διακόπτη»).

**ΠΡΟΣΟΧΗ:** Μην κρεμάτε ποτέ το εργαλείο σε υψηλές ή σε πιθανώς ασταθές τοποθεσίες.

#### ► Εικ.7: 1. Γάντζος

Ο γάντζος χρησιμεύει για το προσωρινό κρέμασμα του εργαλείου.

Για να χρησιμοποιήσετε το γάντζο, απλά σηκώστε τον έως ότου ασφαλίσει στην ανοιχτή θέση. Όταν δεν χρησιμοποιείτε το γάντζο, πάντα να τον χαμηλώνετε έως ότου ασφαλίσει στην κλειστή θέση.

### Ηλεκτρονική λειτουργία

Το εργαλείο είναι εξοπλισμένο με ηλεκτρονικές λειτουργίες για εύκολη λειτουργία.

### Έλεγχος σταθερής ταχύτητας

Η λειτουργία ελέγχου ταχύτητας παρέχει σταθερή ταχύτητα περιστροφής, ανεξάρτητα από τις συνθήκες φόρτου.

## ΣΥΝΑΡΜΟΛΟΓΗΣΗ

**ΠΡΟΣΟΧΗ:** Να βεβαιώνετε πάντα ότι το εργαλείο είναι βριστό και η κασέτα μπαταρίας έχει αφαιρεθεί πριν εκτελέσετε κάποια εργασία στο εργαλείο.

### Τοποθέτηση ή αφαίρεση της λάμψας σπαθοσέγας

**ΠΡΟΣΟΧΗ:** Να καθαρίζετε πάντα όλα τα θραύσματα και τα ξένα σώματα που έχουν προσκολληθεί στη λάμπα και γύρω από το σφιγκτήρα λάμψας. Αν δεν το κάνετε αυτό, μπορεί να μην είναι αρκετά σφιγμένη η λάμπα και να προκαληθεί σοβαρός τραυματισμός.

Για να τοποθετήσετε τη λάμπα σπαθοσέγας, τραβήξτε πλήρως το μοχλό ελευθέρωσης ώστε το περίβλημα σφιγκτήρα λάμψας να έρθει στην ελευθερωμένη θέση πριν τοποθετήσετε τη λάμπα σπαθοσέγας.

► **Εικ.8:** 1. Μοχλός ελευθέρωσης 2. Περίβλημα σφιγκτήρα λάμψας 3. Ελευθερωμένη θέση 4. Σταθεροποιημένη θέση

**ΠΑΡΑΤΗΡΗΣΗ:** Πάντα να τραβάτε το μοχλό ελευθέρωσης εντελώς μέχρι τέρμα. Αν δεν το κάνετε αυτό, το περίβλημα σφιγκτήρα λάμψας δεν έρχεται στην ελευθερωμένη θέση και η λάμπα σπαθοσέγας δεν μπορεί να εισαχθεί.

Εισαγάγετε τη λάμα σπαθοσέγας στη σχισμή του περιβλήματος σφικτήρα λάμας μέχρι τέρμα. Το περίβλημα σφικτήρα λάμας θα ασφαλίσει τη λάμα σπαθοσέγας με έναν χαρακτηριστικό ήχο. Βεβαιωθείτε ότι η λάμα σπαθοσέγας δεν βγαίνει ακόμα κι όταν προσπαθείτε να την τραβήξετε για να βγει.

► **Εικ.9:** 1. Λάμα σπαθοσέγας 2. Περιβλήμα σφικτήρα λάμας

**ΠΡΟΣΟΧΗ:** Εάν δεν τοποθετήσετε τη λάμα σπαθοσέγας αρκετά βαθιά, αυτή μπορεί να πεταχτεί απρόσμενα κατά τη λειτουργία. Αυτό μπορεί να είναι εξαιρετικά επικίνδυνο.

Για να βγάλετε τη λάμα σπαθοσέγας, τραβήξτε το μοχλό ελευθέρωσης εντελώς προς την κατεύθυνση του βέλους.

► **Εικ.10:** 1. Λάμα σπαθοσέγας 2. Μοχλός ελευθέρωσης

**ΕΙΔΟΠΟΙΗΣΗ:** Μην χρησιμοποιείτε το μοχλό ελευθέρωσης όταν χρησιμοποιείτε τη σκανδάλη διακόπτη. Αν το κάνετε αυτό, μπορεί να προκληθεί δυσλειτουργία.

## ΛΕΙΤΟΥΡΓΙΑ

**ΠΡΟΣΟΧΗ:** Κατά τη λειτουργία, να πιέζετε πάντα το πέλμα σταθερά επάνω στο τεμάχιο εργασίας. Αν το πέλμα αφαιρεθεί ή κρατιέται μακριά από το τεμάχιο εργασίας κατά τη διάρκεια της λειτουργίας, θα προκληθούν δυνατές δονήσεις ή/και στρίψιμο με αποτέλεσμα την επικίνδυνη εκτόξευση της λάμας.

**ΠΡΟΣΟΧΗ:** Όταν κόβετε μέταλλο, να φοράτε πάντα γάντια για να προστατεύετε τα χέρια σας από εκτοξευόμενα, ζεστά θραύσματα.

**ΠΡΟΣΟΧΗ:** Να φροντίζετε να φοράτε πάντα κατάλληλη προστασία ματιών που συμμορφώνεται με τα ισχύοντα εθνικά πρότυπα.

**ΠΡΟΣΟΧΗ:** Όταν κόβετε μέταλλο, να χρησιμοποιείτε πάντα ένα κατάλληλο ψυκτικό υγρό (λάδι κοπής). Αν δεν το κάνετε αυτό, θα προκληθεί πρόωρη φθορά της λάμας.

**ΠΡΟΣΟΧΗ:** Μη συστρέψετε τη λάμα κατά τη διάρκεια της κοπής.

Να πιέζετε το πέλμα σταθερά επάνω στο τεμάχιο εργασίας. Μην αφήνετε το εργαλείο να αναπηδήσει. Φέρτε τη λάμα σπαθοσέγας ώστε να αγγίζει ελαφρά το τεμάχιο εργασίας. Πρώτα, κάντε ένα δοκιμαστικό αυλάκι χρησιμοποιώντας μικρή ταχύτητα. Κατόπιν, χρησιμοποιήστε μεγαλύτερη ταχύτητα για να συνεχίσετε την κοπή.

► **Εικ.11**

**ΕΙΔΟΠΟΙΗΣΗ:** Μην κόβετε το τεμάχιο εργασίας όταν το πέλμα βρίσκεται μακριά από το τεμάχιο εργασίας αλλά ούτε χωρίς το πέλμα. Αν το κάνετε αυτό, αυξάνεται η δύναμη αντίδρασης, η οποία μπορεί να σπάσει τη λάμα σπαθοσέγας.

## ΣΥΝΤΗΡΗΣΗ

**ΠΡΟΣΟΧΗ:** Πριν την εκτέλεση εργασιών επιθεώρησης ή συντήρησης, πάντοτε να βεβαιώνετε ότι η συσκευή απενεργοποιήθηκε και η κασέτα μπαταριών έχει αφαιρεθεί.

**ΕΙΔΟΠΟΙΗΣΗ:** Μην χρησιμοποιείτε ποτέ βενζίνη, πετρελαϊκό αιθέρα, διαλυτικό, αλκοόλη ή παρόμοιες ουσίες. Μπορεί να προκληθεί αποχρωματισμός, παραμόρφωση ή ρωγμές.

Για τη διατήρηση της ΑΣΦΑΛΕΙΑΣ και ΑΞΙΟΠΙΣΤΙΑΣ του προϊόντος, οι επισκευές και οποιαδήποτε άλλη εργασία συντήρησης ή ρύθμισης πρέπει να εκτελούνται από εξουσιοδοτημένα ή εργοστασιακά κέντρα εξυπηρέτησης της Makita, χρησιμοποιώντας πάντοτε ανταλλακτικά της Makita.

## ΠΡΟΑΙΡΕΤΙΚΑ ΕΞΑΡΤΗΜΑΤΑ

**ΠΡΟΣΟΧΗ:** Αυτά τα εξαρτήματα ή προσαρτήματα συνιστώνται για χρήση με το εργαλείο Makita που περιγράφηκε στις οδηγίες αυτές. Η χρήση οποιωνδήποτε άλλων εξαρτημάτων ή προσαρτημάτων μπορεί να προκαλέσει κίνδυνο τραυματισμού σε άτομα. Να χρησιμοποιείτε τα εξαρτήματα ή προσαρτήματα μόνο για την χρήση που προορίζονται.

Εάν χρειάζεστε οποιαδήποτε βοήθεια για περισσότερες πληροφορίες σε σχέση με αυτά τα εξαρτήματα, αποσπείτε στο τοπικό σας κέντρο εξυπηρέτησης Makita.

- Λάμα σπαθοσέγας
- Γνήσια μπαταρία και φορτιστής της Makita

**ΠΑΡΑΤΗΡΗΣΗ:** Μερικά στοιχεία στη λίστα μπορεί να συμπεριλαμβάνονται στη συσκευασία εργαλείου ως στάνταρ εξαρτήματα. Μπορεί να διαφέρουν ανάλογα με τη χώρα.



## TEKNİK ÖZELLİKLER

Model:	JR001G	
Vuruş uzunluğu	32 mm	
Dakikada vuruş	Yüksek (2)	0 - 3.000 min <sup>-1</sup>
	Düşük (1)	0 - 2.300 min <sup>-1</sup>
Maksimum kesme kapasiteleri	Boru	130 mm
	Tahta	255 mm
Anma voltajı	D.C. 36 V - 40 V maks	
Toplam uzunluk	BL4025 ile	457 mm
	BL4040 ile	472 mm
Net ağırlık	4,2 - 4,5 kg	

- Sürekli yapılan araştırma ve geliştirmelerden dolayı, burada belirtilen özellikler önceden bildirilmeksizin değiştirilebilir.
- Özellikler ve batarya kartuşu ülkeden ülkeye değişebilir.
- Ağırlık, ekli aksesuar/aksesuarlara ve batarya kartuşuna bağlı olarak farklılık gösterebilir. EPTA-Prosedürü 01/2014'e göre en hafif ve en ağır kombinasyonlar tabloda verilmiştir.

### Geçerli batarya kartuşu ve şarj aleti

Batarya kartuşu	BL4025 / BL4040
Şarj aleti	DC40RA

- Yukarıda listelenen batarya kartuşlarının ve şarj aletlerinin bazıları yaşadığınız bölgeye bağlı olarak mevcut olmayabilir.

**UYARI:** Sadece yukarıda listelenen batarya kartuşlarını ve şarj aletlerini kullanın. Başka batarya kartuşlarının ve şarj aletlerinin kullanılması yaralanma ve/veya yangına neden olabilir.

### Kullanım amacı

Bu alet ahşap, plastik ve demir malzemeleri kesmek amacıyla kullanılır.

### Gürültü

Tipik A-ağırlıklı gürültü düzeyi (EN62841-2-11 standardına göre belirlenen):

Ses basınç seviyesi ( $L_{pA}$ ): 85 dB (A)

Ses gücü düzeyi ( $L_{WA}$ ): 96 dB (A)

Belirsizlik (K): 3 dB (A)

**NOT:** Beyan edilen gürültü emisyonu değer(ler)ji bir standart test yöntemine uygun şekilde ölçülmüştür ve bir aleti bir başkasıyla karşılaştırmak için kullanılabilir.

**NOT:** Beyan edilen gürültü emisyonu değer(ler)ji bir ön maruz kalma değerlendirmesi olarak da kullanılabilir.

**UYARI:** Kulak koruyucuları takın.

**UYARI:** Elektrikli aletin gerçek kullanımı sırasındaki gürültü emisyonu, aletin kullanım biçimlerine, özellikle işlenen iş parçasının türüne bağlı olarak beyan edilen değer(ler)den farklı olabilir.

**UYARI:** Gerçek kullanım koşullarındaki tahmini maruziyeti baz alan, operatörü koruyacak güvenlik önlemlerini mutlaka belirleyin (çalışma döngüsü içerisinde aletin kapalı olduğu ve aktif durumda olmasının yanı sıra boşta çalıştığı zamanlar gibi, bütün zaman dilimleri göz önünde bulundurarak).

### Titreşim

Titreşim toplam değeri (üç eksenli vektör toplamı) (EN62841-2-11 standardına göre hesaplanan):

Çalışma modu: tahtaları kesme

Titreşim emisyonu ( $a_{h,B}$ ): 18,0 m/s<sup>2</sup>

Belirsizlik (K): 1,5 m/s<sup>2</sup>

Çalışma modu: kalasları kesme

Titreşim emisyonu ( $a_{h,yB}$ ): 19,5 m/s<sup>2</sup>

Belirsizlik (K): 2,0 m/s<sup>2</sup>

**NOT:** Beyan edilen titreşim toplam değer(ler)ji bir standart test yöntemine uygun şekilde ölçülmüştür ve bir aleti bir başkasıyla karşılaştırmak için kullanılabilir.

**NOT:** Beyan edilen titreşim toplam değer(ler)ji bir ön maruz kalma değerlendirmesi olarak da kullanılabilir.

**UYARI:** Elektrikli aletin gerçek kullanımı sırasındaki titreşim emisyonu, aletin kullanım biçimlerine, özellikle işlenen iş parçasının türüne bağlı olarak beyan edilen değer(ler)den farklı olabilir.

**UYARI:** Gerçek kullanım koşullarındaki tahmini maruziyeti baz alan, operatörü koruyacak güvenlik önlemlerini mutlaka belirleyin (çalışma döngüsü içerisinde aletin kapalı olduğu ve aktif durumda olmasının yanı sıra boşta çalıştığı zamanlar gibi, bütün zaman dilimleri göz önünde bulundurarak).



## EC Uygunluk Beyanı

### Sadece Avrupa ülkeleri için

EC uygunluk beyanı bu kullanım kılavuzuna Ek A olarak eklenmiştir.

## GÜVENLİK UYARILARI

### Genel elektrikli alet güvenliği uyarıları

**⚠UYARI:** Bu elektrikli aletle birlikte sunulan tüm güvenlik uyarılarını, talimatları, çizimleri ve teknik özellikleri okuyun. Aşağıda verilen talimatlara uyulmaması elektrik şoku, yangın ve/veya ciddi yaralanmalar ile sonuçlanabilir.

### Tüm uyarıları ve talimatları ile-ride başvurmak için saklayın.

Uyarılardaki "elektrikli alet" terimi ile ya prizden çalışan (kordonlu) elektrikli aletiniz ya da kendi aküsü ile çalışan (kordsuz) elektrikli aletiniz kastedilmektedir.

### Akülü kılıç testere güvenlik uyarıları

1. Kesici aksesuarın görünmeyen kablolarla temas etme olasılığı bulunan yerlerde çalışırken elektrikli aleti sadece yalıtımlı kavrama yüzeyinden tutun. Kesici aksesuarın "akımlı" bir telle temas etmesi elektrikli aletin yalıtımsız metal kısımlarını "akımlı" hale getirebilir ve kullanıcıyı elektrik şokuna maruz bırakabilir.
2. İş parçasını sabit bir platforma bağlamak ve desteklemek için mengene veya başka bir pratik yol kullanın. İş parçasını elle veya vücudunuza dayayarak tutma onu dengesiz bırakır ve kontrol kaybına yol açabilir.
3. Daima koruyucu gözlükler kullanın. Normal gözlükler veya güneş gözlükleri koruyucu gözlük DEĞİLDİR.
4. Çivi kesmekten kaçının. İşleme başlamadan önce iş parçasını kontrol edip çivi varsa çıkarın.
5. Çok büyük parçalar kesmeyin.
6. Kesmeye başlamadan önce iş parçasının gerisinde bıçağın zemine, çalışma tezgahına, vs. çarpmaması için yeterli boşluk bulunduğundan emin olun.
7. Aleti sıkıca tutun.
8. Anahtar açmadan önce bıçağın iş parçasına değmediğinden emin olun.
9. Ellerinizi hareketli parçalardan uzak tutun.
10. Aleti çalışır durumda bırakmayın. Aleti sadece elinizde iken çalıştırın.
11. Aleti iş parçasından çıkarmadan önce daima anahtarı kapatın ve bıçağın tamamen durmasını bekleyin.
12. Çalıştıktan hemen sonra bıçağa ya da iş parçasına dokunmayın; çok sıcak olabilir ve cildinizi yakabilirler.
13. Bu aleti gereksiz yere yüksüz çalıştırmayın.
14. Daima çalıştığınız malzeme ve yaptığınız işe uygun maske/respiratör kullanın.

15. Bazı malzemeler zehirli olabilen kimyasallar içerirler. Toz yutmayı ve cilt temasını önlemek için tedbir alın. Malzeme sağlayıcısının güvenlik bilgilerine uyun.
16. Çalışma öncesinde iş parçasında elektrik borusu, su borusu veya gaz borusu gibi gömülü nesne olmadığından emin olun. Aksi takdirde kılıç testere bıçağı bunlara dokunarak elektrik çarpmasına, elektrik kaçağına veya gaz kaçağına yol açabilir.

### BU TALİMATLARI SAKLAYIN.

**⚠UYARI:** Ürünü kullanırken (defalarca kullanınca kazanılan) rahatlık ve tanıdıklık duygusunun ilgili ürünün güvenli kurallarına sıkı sıkıya bağlı kalmanın yerine geçmesine İZİN VERMEYİN. YANLIŞ KULLANIM veya bu kullanma kılavuzunda belirtilen emniyet kurallarına uymama ciddi yaralanmaya neden olabilir.

### Batarya kartuşu hakkında önemli güvenlik talimatları

1. Batarya kartuşunu kullanmadan önce, tüm talimatları ve (1) batarya kartuşu, (2) batarya ve (3) ürün üzerindeki tüm uyarı işaretlerini okuyun.
2. Batarya kartuşunu parçalarına ayırmayın veya kurcalamayın. Yangın, aşırı ısı veya patlamaya neden olabilir.
3. Çalışma süresi aşırı derecede kısalırsa kullanmayı derhal bırakın. Aşırı ısınma, yanma riski hatta patlamaya neden olabilir.
4. Gözünüze elektrolit kaçar, gözlerinizi temiz suyla durulayın ve hemen tıbbi yardım alın. Görme kaybına yol açabilir.
5. Batarya kartuşuna kısa devre yaptırmayın:
  - (1) Terminallere herhangi bir iletken madde değiştirmeyin.
  - (2) Batarya kartuşunu çiviler, madeni paralar, vb. gibi başka metal nesnelere aynı kaba koymaktan kaçının.
  - (3) Batarya kartuşunu yağmura ya da suya maruz bırakmayın.Kısa devre, büyük bir akım akışına, aşırı ısınmaya, olası yanıklara hatta bataryanın bozulmasına yol açabilir.
6. Aleti ve batarya kartuşunu sıcaklığın 50°C ya da daha yüksekçe ulaştığı yerlerde saklamayın.
7. Aşırı derecede hasar görmüş ya da tamamen kullanılamaz durumda olsa bile batarya kartuşunu yakmayın. Batarya kartuşu ateşe atılırsa patlayabilir.
8. Batarya kartuşunu çivilemeyin, kesmeyin, ezmeyin, fırlatmayın, düşürmeyin ya da batarya kartuşuna sert bir nesne ile vurmeyin. Bu eylemler yangın, aşırı ısı veya patlamaya neden olabilir.
9. Hasarlı bataryayı kullanmayın.
10. Aletin içerdiği lityum-iyon bataryalar Tehlikeli Eşyalar Yönetmeliğinin gereksinimlerine tabidir. Ticari nakliye işlemleri için, örneğin üçüncü taraflar, nakliye acenteleri tarafından yapılan nakliyelerde, paketleme ve etiketleme gereksinimlerine uyulmalıdır.

Nakliyesi yapılacak ürünün hazırlanması için, tehlikeli maddeler konusunda uzman bir kişiye danışın. Lütfen muhtemelen daha ayrıntılı olan ulusal yönetmeliklere de uyun.

Açık kontakları bantlayın ya da maskeleyin ve bataryayı paketin içinde hareket etmeyecek şekilde paketlenin.

11. **Batarya kartuşunu bertaraf ederken aletten çıkarın ve güvenli bir yerde bertaraf edin. Bataryanın bertaraf edilmesi ile ilgili yerel düzenlemelere uyunuz.**
12. **Bataryaları sadece Makita tarafından belirtilen ürünlerle kullanın.** Bataryaların uyumsuz ürünlere takılması; yangın, aşırı ısınma, patlama ya da elektrolit sızıntısına neden olabilir.
13. **Alet uzun süre kullanılmıyacaksa batarya aletten çıkarılmalıdır.**
14. **Kullanma sırasında ve sonrasında batarya kartuşu ısınarak yanıklara veya düşük sıcaklık yanıklarına yol açabilir. Sıcak batarya kartuşları ile işlem yaparken dikkat edin.**
15. **Yanıklara neden olabilecek kadar sıcak olabileceğinden kullandıktan hemen sonra aletin terminaline dokunmayın.**
16. **Batarya kartuşunun terminallerine, deliklerine ve kanallarına micir, toz veya toprak girmesine izin vermeyin.** Aletin veya batarya kartuşunun zayıf performans göstermesine veya bozulmasına neden olabilir.
17. **Alet yüksek gerilim elektrik güç hatları yakınında kullanımı desteklemediği sürece batarya kartuşunu yüksek gerilim elektrik güç hatlarının yakınında kullanmayın.** Aletin veya batarya kartuşunun arızalanmasına veya bozulmasına neden olabilir.

## BU TALİMATLARI MUHAFAZA EDİNİZ.

**⚠DİKKAT:** Sadece orijinal Makita bataryalarını kullanın. Orijinal olmayan Makita bataryaları ya da üzerine değişiklik yapılmış bataryaların kullanımı bataryanın patlamasına ve sonuç olarak yangın, kişisel yaralanma ve hasara neden olabilir. Ayrıca Makita aleti ve şarj aletinin Makita tarafından sunulan garantisini de geçersiz olur.

## Maksimum batarya ömrü için ipuçları

1. **Batarya kartuşunu tamamen boşalmadan önce şarj edin. Aletin gücünün zayıflamaya başladığını fark ettiğinizde aleti durdurun ve batarya kartuşunu şarj edin.**
2. **Tam dolu bir batarya kartuşunu asla yeniden şarj etmeyin. Aşırı şarj etme bataryanın hizmet ömrünü kısaltır.**
3. **Batarya kartuşunu 10°C - 40°C oda sıcaklığında şarj edin. Sıcak bir batarya kartuşunu şarj etmeden önce soğumasını bekleyin.**
4. **Batarya kartuşunu kullanılmıyorken aletten veya şarj aletinden çıkarın.**
5. **Uzun bir süre (altı aydan daha fazla) kullanmadığınız durumlarda batarya kartuşunu şarj edin.**

## İŞLEVSEL NİTELİKLER

**⚠DİKKAT:** Alet üzerinde ayarlama veya işleyiş kontrolü yapmadan önce aletin kapalı ve batarya kartuşunun ayrılmış olduğundan daima emin olun.

## Batarya kartuşunun takılması ve çıkarılması

**⚠DİKKAT:** Batarya kartuşunu takmadan ya da çıkarmadan önce aleti daima kapatın.

**⚠DİKKAT:** Batarya kartuşunu takarken veya çıkarırken aleti ve batarya kartuşunu sıkıca tutun. Aletin ve batarya kartuşunun sıkıca tutulmaması bunların düşürülmesine sebep olabilir ve alet ve batarya kartuşunun zarar görmesine ya da ciddi yaralanmasına yol açabilir.

► **Şek. 1:** 1. Kırmızı gösterge 2. Düğme 3. Batarya kartuşu

Batarya kartuşunu çıkarmak için, kartuşun ön tarafındaki düğmeyi kaydırarak kartuşu aletten çıkarın.

Batarya kartuşunu takmak için, batarya kartuşu üzerindeki dili yuvanın çentiği ile hizalayın ve yerine oturtun. Hafif bir tık sesi duyulana kadar itip yerine tam oturmasını sağlayın. Düğmenin üst tarafındaki kırmızı gösterge görünüyorsa tam yerine kilitlenmemiş demektir.

**⚠DİKKAT:** Batarya kartuşunu daima kırmızı gösterge görünmeyecek şekilde tam olarak takın. Yerine tam oturmazsa, aletten yanlışlıkla düşebilir, sizin ya da çevrenizdeki kişilerin yaralanmasına neden olabilir.

**⚠DİKKAT:** Batarya kartuşunu zorlayarak takmayın. Kartuş kolay bir şekilde kaymıyorsa doğru yerleştirilmemiş demektir.

## Alet/batarya koruma sistemi

Bu alet bir alet/batarya koruma sistemi ile donatılmıştır. Bu sistem motora giden gücü otomatik olarak keserek uzun alet ve batarya ömrü sağlar. Alet veya batarya için aşağıdaki durumlardan biri söz konusu olduğunda aletin işleyişi otomatik olarak durur:

### Aşırı yük koruması

Batarya, anormal derecede yüksek akım çekmesine neden olacak şekilde kullanıldığında, alet hiçbir belirti vermeden otomatik olarak durur. Bu durumda, aleti kapatın ve aletin aşırı yüklenmesine neden olan uygulamayı durdurun. Daha sonra aleti yeniden başlaması için çalıştırın.

### Aşırı ısınma koruması

Alet veya batarya aşırı ısındığında otomatik olarak durur ve lamba yanıp söner. Bu durumda, yeniden çalıştırmadan önce aletin ve bataryanın soğumasını bekleyin.

### Aşırı deşarj koruması

Batarya kapasitesi yeterli değilse alet otomatik olarak durur ve lamba yanıp söner. Bu durumda, bataryayı aletten çıkarın ve bataryayı şarj edin.

## Kalan batarya kapasitesinin gösterilmesi

Kalan batarya kapasitesini göstermesi için batarya kartuşu üzerindeki kontrol düğmesine basın. Gösterge lambaları birkaç saniye yanar.

► **Şek.2:** 1. Gösterge lambaları 2. Kontrol düğmesi

Gösterge lambaları			Kalan kapasite
Yanıyor	Kapalı	Yanıp sönyüyor	
■	□	▣	
■ ■ ■ ■			%75 ila %100
■ ■ ■ □			%50 ila %75
■ ■ □ □			%25 ila %50
■ □ □ □			%0 ila %25
▣ □ □ □			Bataryayı şarj edin.
■ ■ □ □			Batarya arızalanmış olabilir.
□ □ ■ ■			

**NOT:** Kullanım koşullarına ve ortam sıcaklığına bağlı olarak, gösterilen değer gerçek kapasiteden biraz farklılık gösterebilir.

## Anahtar işlemleri

**⚠ DİKKAT:** Batarya kartuşunu alete takmadan önce anahtar tetiğinin doğru çalıştığından ve bırakıldığında "OFF" (kapalı) konumuna döndüğünden emin olun.

**ÖNEMLİ NOT:** Alet çalışırken kilit/hız değiştirme kolunu kullanmayın. Alet zarar görebilir.

► **Şek.3:** 1. Kilit/hız değiştirme kolu 2. Anahtar tetik 3. Kilit/hız değiştirme kolunun durumu

► **Şek.4**

Aleti başlatmak için A veya B tarafından kilit/hız değiştirme koluna bastırın ve anahtar tetiği çekin. Anahtar tetiğinin üzerine yapılan baskı artırılarak aletin hızı artırılır. Durdurmak için anahtar tetiği serbest bırakın.

Aletin maksimum hızı 2 kademeli olarak değiştirilebilir.

- Yüksek hız için Kilit/hız değiştirme koluna A tarafından bastırıldığında, vuruş hızı "2" olur.
- Düşük hız için Kilit/hız değiştirme koluna B tarafından bastırıldığında, vuruş hızı "1" olur.

Kilit/hız değiştirme kolu  konumunda olduğunda, alet kilitlidir ve anahtar tetik çekilemez.

## Ön lambanın yakılması

► **Şek.5:** 1. Lamba

**⚠ DİKKAT:** Işığa bakmayın ya da ışık kaynağını doğrudan görmeyin.

Lambayı yakmak için anahtar tetiği çekin. Anahtar tetik çekilirken lamba yanmaya devam eder. Anahtar tetik serbest bırakıldıktan yaklaşık 10 saniye sonra lamba söner.

**NOT:** Lamba lensini temizlemek için kuru bir bez kullanın. Aydınlatmayı azaltacağı için lamba lensinin çizilmemesine dikkat edin.

**NOT:** Alet aşırı ısındığında, lamba bir dakika boyunca yanıp söner. Bu durumda, başka bir işlemden önce aleti soğutun.


## Pabucun ayarlanması

Kılıç testere bıçağı kesici kenarının bir yerinde kesme verimliliğini kaybettiği zaman, pabucun konumunu kesici kenarının kullanılmamış keskin bir bölümünü kullanacak şekilde değiştirin. Bu, kılıç testere bıçağının ömrünü uzatmaya yardımcı olur.

Pabucun konumu 6 seviyede ayarlanabilir.


Pabucu yeniden konumlandırmak için, pabuç ayar kolunu açın ve uygun konumu seçin, ardından pabuç ayar kolunu kapatın.

► **Şek.6:** 1. Pabuç 2. Pabuç ayar kolu

**ÖNEMLİ NOT:** Pabuç, <sup>MAX</sup> → kabartmasının  işaretinden daha fazla uzatılırsa sabitlenemez. Pabuç ayar kolunu böyle bir konumda zorlayarak kapatmayın. Kolun kırılmasına neden olabilir.

**NOT:** Pabuç ayar kolu sonuna kadar açılmadan pabuç ayarlanamaz.

## Kanca

**⚠ DİKKAT:** Aleti asarken, anahtar tetiği kilitlemek için kilit/hız değiştirme kolunu  konumuna ayarlayın. ("Anahtar işlemleri" başlıklı bölüme bakın.)

**⚠ DİKKAT:** Aleti yüksek ya da dengesi bozulabilecek bir konuma asla asmayın.

► **Şek.7:** 1. Kanca

Kanca, aleti geçici olarak asmak için kullanılırdır. Kancayı kullanmak için, açık konuma kilitlemeye kadar kancayı yukarı doğru kaldırmamız yeterlidir. Kullanılmadığı zaman, kancayı daima aşağı doğru indirerek kapalı konuma kilitleyin.

## Elektronik fonksiyonu

Alet kolay kullanım için elektronik fonksiyonlarla donatılmıştır.

## Sabit hız kontrolü

Hız kontrol fonksiyonu, yük koşullarından bağımsız olarak sabit devir hızı sağlar.

## MONTAJ

**⚠ DİKKAT:** Alet üzerinde herhangi bir iş yapmadan önce aletin kapalı ve batarya kartuşunun ayrılmış olduğundan daima emin olun.

### Kılıç testere bıçağının takılması veya sökülmesi

**⚠ DİKKAT:** Bıçağa ve bıçak kelepçesinin etrafına yapışmış tüm yonga veya yabancı maddeleri daima temizleyin. Böyle yapılmaması bıçağın gevşek kalmasına neden olarak, ciddi bir yaralanmaya yol açabilir.

Kılıç testere bıçağını takmak için, kılıç testere bıçağını takmadan önce serbest bırakma kolunu, bıçak kıskaç manşonu serbest konuma gelecek şekilde sonuna kadar çekin.

► **Şek.8:** 1. Serbest bırakma kolu 2. Bıçak kıskaç manşonu 3. Serbest konum 4. Sabit konum

**NOT:** Serbest bırakma kolunu daima sonuna kadar çekin. Çekilmezse bıçak kıskaç manşonu serbest konuma gelmez ve kılıç testere bıçağı takılamaz.

Kılıç testere bıçağını bıçak kıskaç manşonunun yuvasına sonuna kadar geçirin. Bıçak kıskaç manşonu, kılıç testere bıçağını bir tık sesi ile yakalar. Kılıç testere bıçağını dışarı çekmeye çalışsanız bile çıkarılamayacağından emin olun.

► **Şek.9:** 1. Kılıç testere bıçağı 2. Bıçak kıskaç manşonu

**⚠ DİKKAT:** Kılıç testere bıçağını yeterince derine sokamazsanız, kılıç testere bıçağı çalışırken beklenmedik bir şekilde yerinden fırlayabilir. Bu son derecede tehlikeli olabilir.

Kılıç testere bıçağını çıkarmak için, serbest bırakma kolunu ok yönünde sonuna kadar çekin.

► **Şek.10:** 1. Kılıç testere bıçağı 2. Serbest bırakma kolu

**ÖNEMLİ NOT:** Anahtar tetiği kullanırken serbest bırakma kolunu asla çalıştırmayın. Aksi takdirde arızaya neden olabilir.

## KULLANIM

**⚠ DİKKAT:** İşlem sırasında her zaman, pabuca sağlamca iş parçasına doğru bastırın. İşlem sırasında pabuç iş parçasından ayrılır ya da uzak tutulursa, güçlü titreşim ve/veya dönme oluşup, bıçağın tehlikeli bir şekilde kırılmasına sebep olabilir.

**⚠ DİKKAT:** Metal keserken sıcak uçuşan parçalardan korunmak için, her zaman eldiven kullanın.

**⚠ DİKKAT:** Yürürlükteki ulusal standartlara uygun bir göz korumasını her zaman kullandığınızdan emin olun.

**⚠ DİKKAT:** Metal keserken her zaman uygun bir soğutucu (kesme yağı) kullanın. Böyle yapmamak, bıçağın erken yıpranmasına sebep olur.

**⚠ DİKKAT:** Kesim sırasında bıçağı oynatmayın.

Pabuca sağlamca iş parçasına doğru bastırın. Aletin geri tepmesine izin vermeyin. Kılıç testere bıçağını iş parçası ile hafifçe temas ettirin. Önce düşük hızda bir deneme çentiği açın. Sonra kesmeye devam etmek için daha yüksek bir hız kullanın.

► **Şek.11**

**ÖNEMLİ NOT:** İş parçasını, pabuç iş parçasından uzakta veya pabuç olmadan kesmeyin. Aksi durum tepki kuvvetini artırarak kılıç testere bıçağını kırabilir.

## BAKIM

**⚠ DİKKAT:** Muayene ya da bakım yapmadan önce aletin kapalı ve batarya kartuşunun çıkartılmış olduğundan daima emin olun.

**ÖNEMLİ NOT:** Benzin, tiner, alkol ve benzeri maddeleri kesinlikle kullanmayın. Renk değişimi, deformasyon veya çatlaklar oluşabilir.

Aleti EMNİYETLİ ve ÇALIŞMAYA HAZIR durumda tutmak için onarımlar, başka her türlü bakım ve ayarlamalar daima Makita yedek parçaları kullanılarak Makita yetkili servis merkezleri veya Fabrikasının Servis Merkezleri tarafından yapılmalıdır.

## İSTEĞE BAĞLI AKSESUARLAR

**⚠ DİKKAT:** Bu aksesuarlar ve ek parçalar bu el kitabında belirtilen Makita aletiniz ile kullanılmak için tavsiye edilmektedir. Herhangi başka bir aksesuar ya da ek parça kullanılması insanlar için bir yaralanma riski getirebilir. Aksesuarları ya da ek parçaları yalnızca belirtilmiş olan kullanım amaçlarına uygun olarak kullanın.

Bu aksesuarlarla ilgili daha fazla bilgiye ihtiyaç duyar-sanız bulunduğunuz yerdeki yetkili Makita servisine başvurun.

- Kılıç testere bıçağı
- Orijinal Makita batarya ve şarj aleti

**NOT:** Listedeki parçaların bazıları alet paketi içerisinde standart aksesuar olarak dahil edilmiş olabilir. Bunlar ülkeden ülkeye farklılık gösterebilir.





**Makita Europe N.V.** Jan-Baptist Vinkstraat 2,  
3070 Kortenberg, Belgium

**Makita Corporation** 3-11-8, Sumiyoshi-cho,  
Anjo, Aichi 446-8502 Japan

[www.makita.com](http://www.makita.com)

885755-993  
EN, FR, DE, IT, NL,  
ES, PT, DA, EL, TR  
20190822