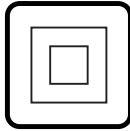
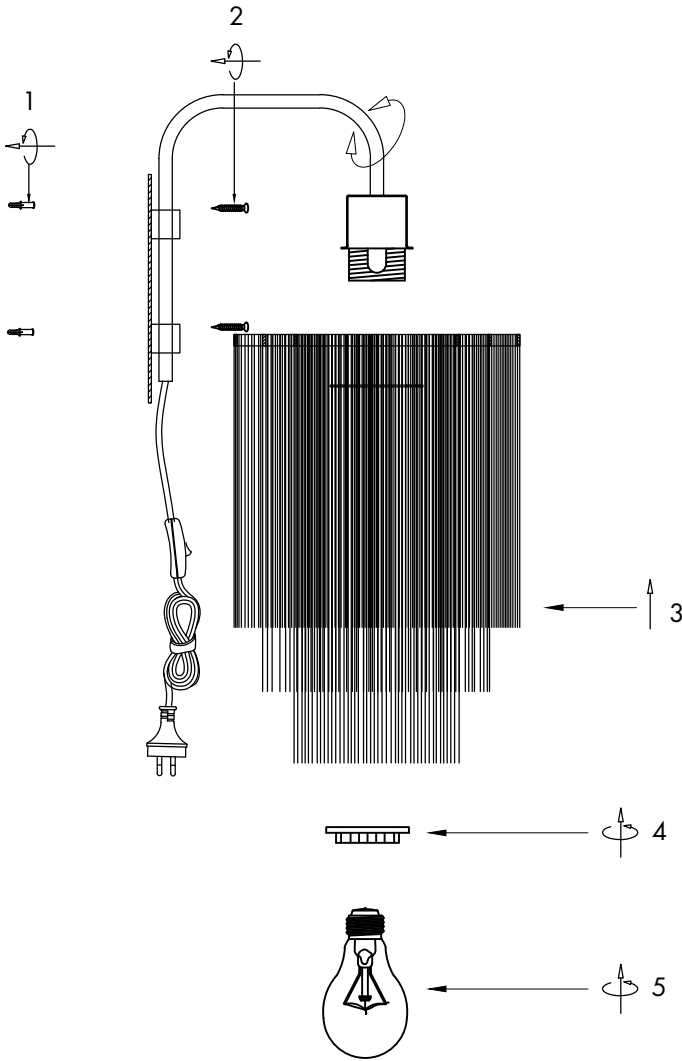


# INSTRUCTION MANUAL



Franxa WL  
103497, 103498, 103499



Overall Sizes:

