

EN | Adjustable TV wall bracket  
 PL | Regulowany uchwyty do TV  
 DE | Verstellbare TV-Halterung  
 FR | Support TV réglable

ES | Soporte de tv ajustable  
 IT | Supporto tv regolabile  
 NL | Verstellbare tv-beugel  
 CZ | Nastavitelný držák na TV  
 RO | Suport reglabil pentru TV

MC-986

Max VESA: 800x400; Maximum load: 55kg.

2. Parts List

Package A



(S-1) Shaped fasteners (1) (S-2) Shaped fasteners (1) (S-3) M6x16 screws (2) (S-4) Wrench (1) (S-5) Wrench (1)

Package B



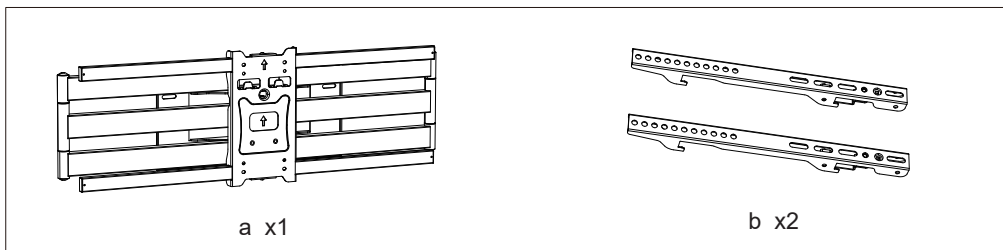
(A) 15mm Plastic Sleeve (4) (B) 5mm Plastic Sleeve (4) (C) Square Washer (4) (D) M8x16 washer (5)



(E) M4x14 screws (4) (F) M6x14 screws (4) (G) M8x20 screws (4) (H) M6x30 screws (4)



(I) M8x45 screws (4) (J) 12x60 Plastic Anchor (5) (K) M8x80 Self-tap Screw (5)

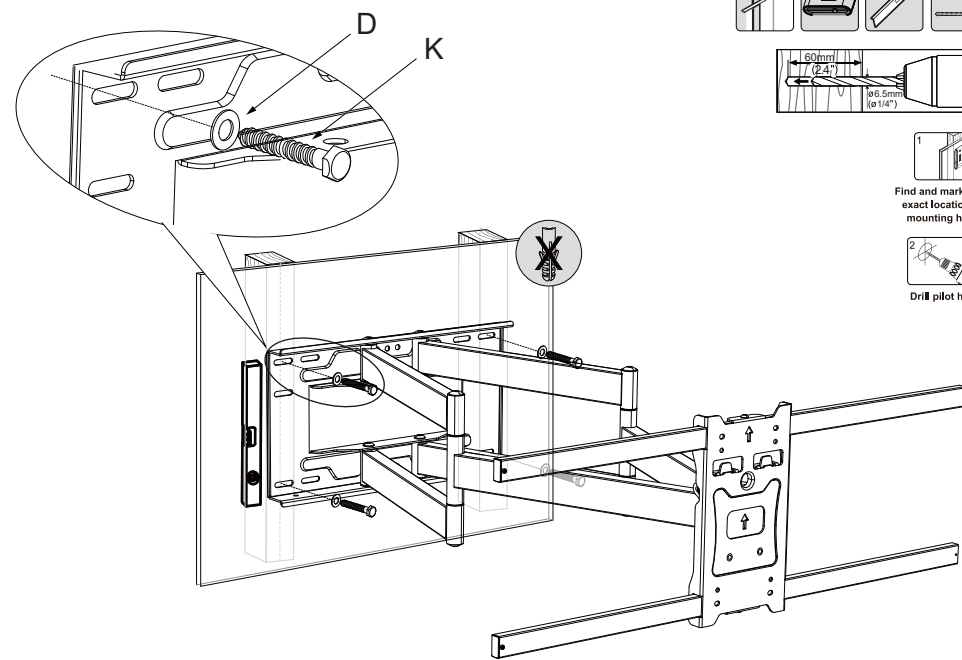


3. Installation and operation instructions

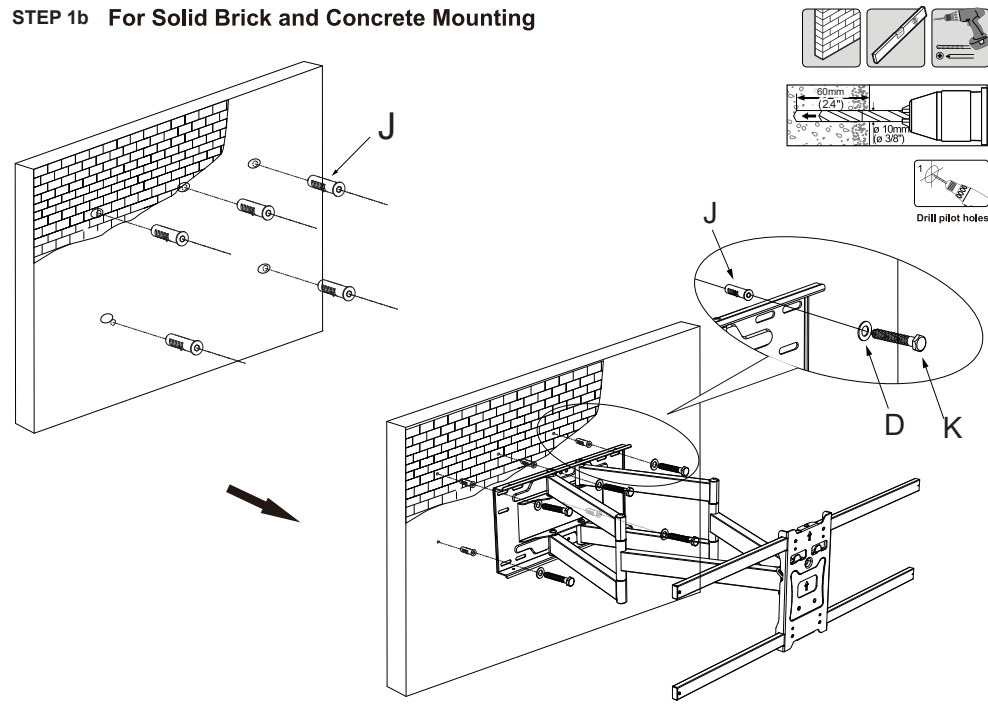
Note: please read the instructions carefully before installation!



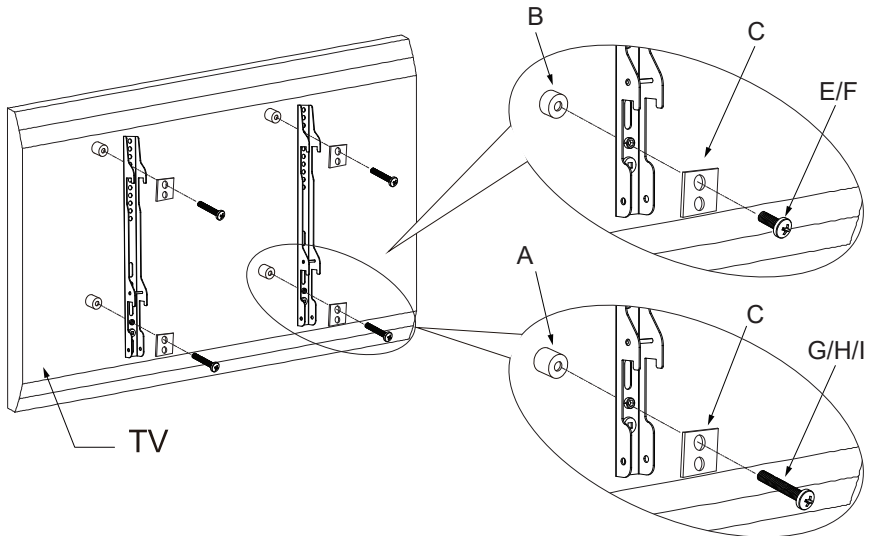
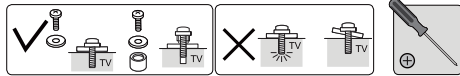
STEP 1a For Wood Stud Wall Mounting



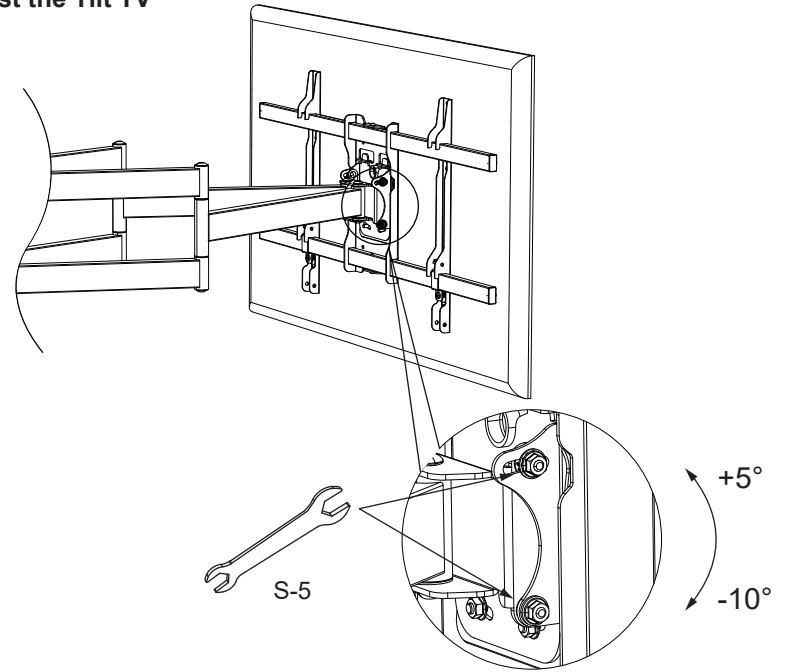
STEP 1b For Solid Brick and Concrete Mounting



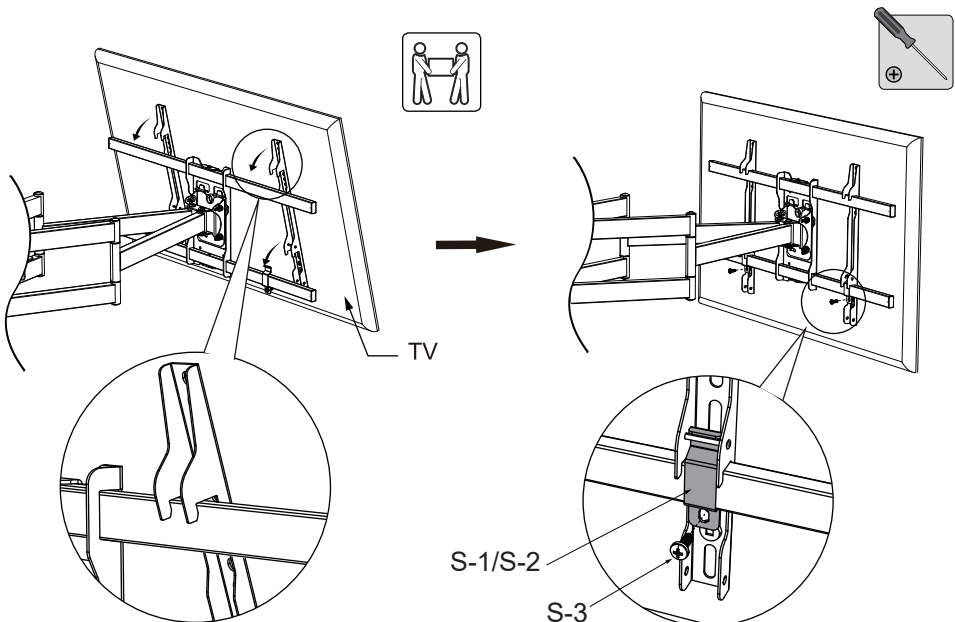
**STEP 2 Install the bracket rail onto the back of the TV**



**STEP 4 Adjust the Tilt TV**



**STEP 3 Hang TV to the mount and Lock the TV Mounting Bracket**



**Optional: Horizontal Level Adjustment (Roll)**

