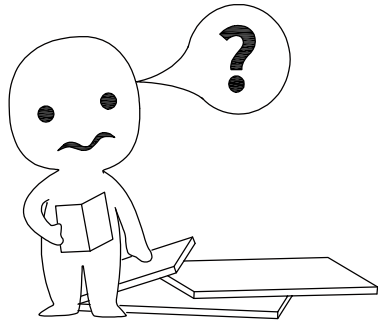
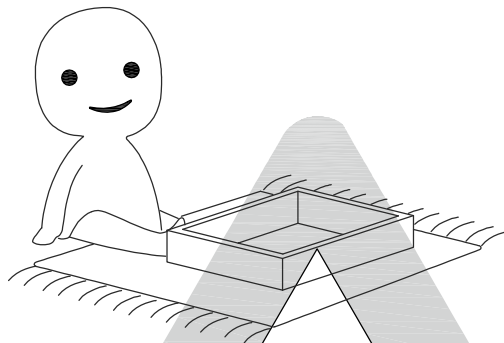
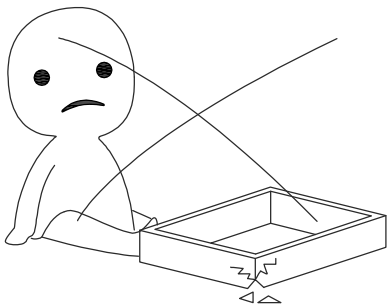


**NOTE:** Please contact us in time. If you find any accessories missing or damaged in the package, we will send you the corresponding accessories for free.



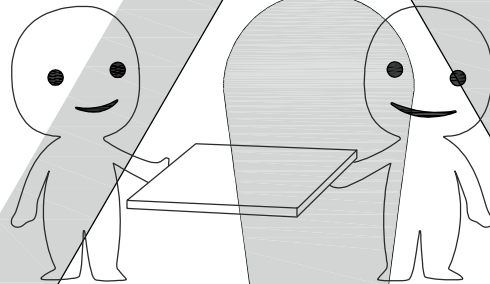
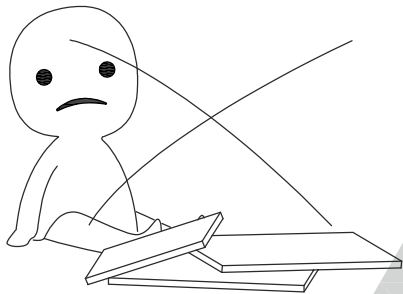
**IMPORTANT INFORMATION!**

please read the entire manual before starting to assemble and/or using this product. follow the manual thoroughly and keep it for further reference.



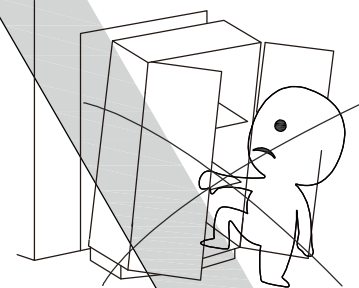
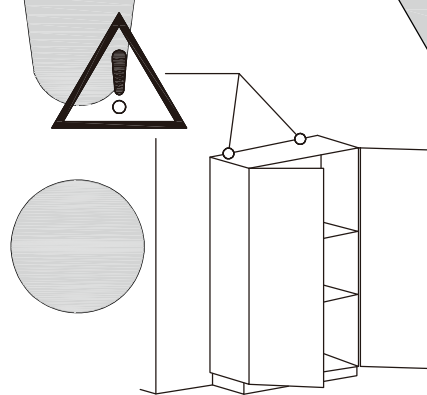
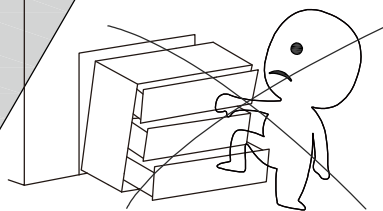
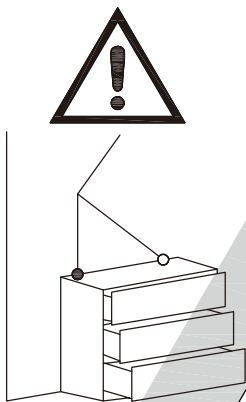
**AVOID SCRATCHES!**

In order to avoid scratching this furniture should be assembled on a soft layer - could be a rug.



**IMPROVE EFFICIENCY !**

Try to find a partner to install with you, which can speed up the installation efficiency and shorten the time.



**ANTI-TOPPLE WARNING !**

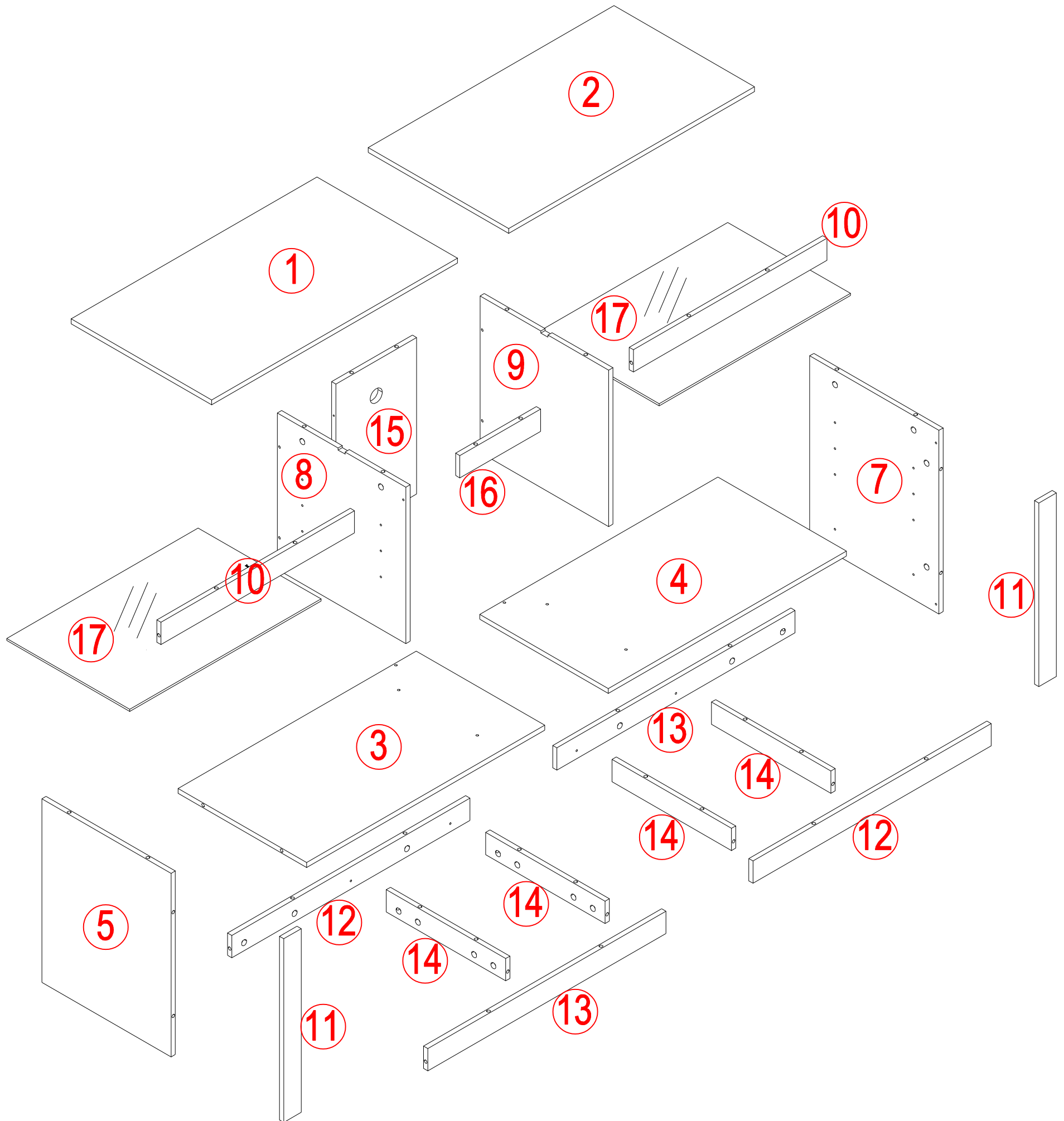
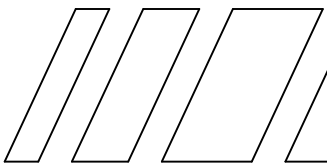
Overtured furniture can cause serious or fatal crush injuries. To prevent tipping over, be sure to use the wall attachment, if not included with this product. Please purchase the wall attachment that fit your wall. If unsure, seek professional advice. Please read and follow each step of the instructions carefully.

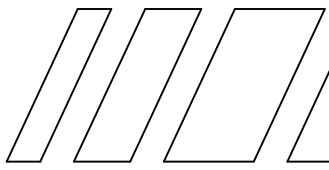
**IMPORTANT !**

It is important that any product which is assembled using any kind of screw is re-tightened 2 weeks after assembly, and once every 3 months - in order to assure stability through-out the lifespan of the product.

For regular maintenance and cleaning of the product, for the frame, please use a rag dipped in neutral detergent to fully wipe it, and then dry it with a clean rag. For glass materials, wipe with a rag dampened with water glass cleaner, and then dry with a dry rag.

Do not use an electric screwdriver, and do not use too much force when installing, because the board is easy to break.



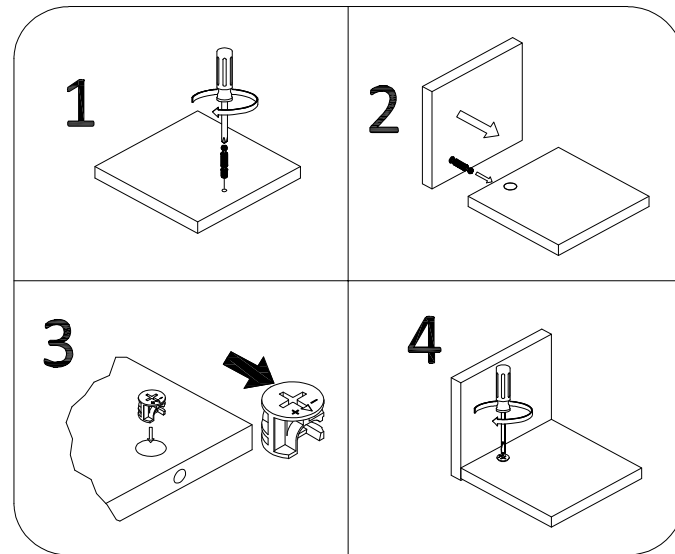
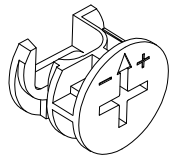
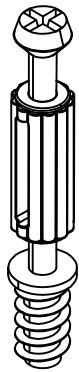


# TTPJ015

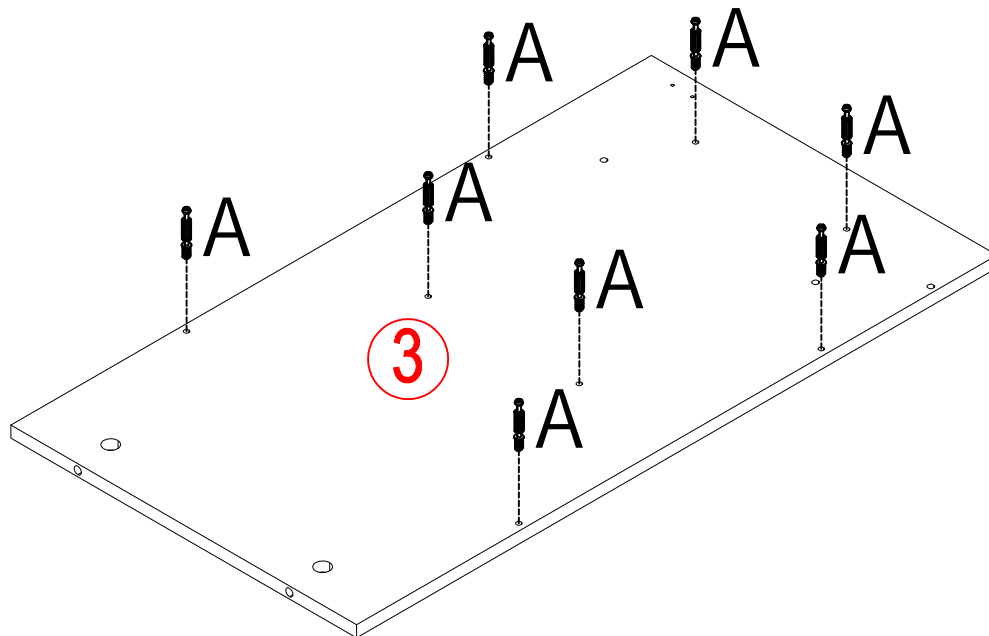
<p><b>1</b></p>	<p><b>2</b></p>	<p><b>3</b></p>						
<p><b>4</b></p>	<p><b>5</b></p>	<p><b>7</b></p>						
<p><b>8</b></p>	<p><b>9</b></p>	<p><b>10</b></p> <p>2 PCS</p>						
<p><b>11</b></p> <p>2 PCS</p>	<p><b>12</b></p> <p>2 PCS</p>	<p><b>13</b></p> <p>2 PCS</p>						
<p><b>14</b></p> <p>4 PCS</p>	<p><b>15</b></p>	<p><b>16</b></p>	<p><b>17</b></p> <p>2 PCS</p>					
<p>A M5x42</p> <p>56 PCS</p>	<p>B Ø15x10</p> <p>56 PCS</p>	<p>C M5x40</p> <p>10 PCS</p>	<p>D Ø3.5x12</p> <p>4 PCS</p>	<p>E</p> <p>1 PCS</p>	<p>F</p> <p>8 PCS</p>	<p>G</p> <p>1 SET</p>		

## Cam Lock Fastening System

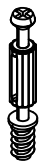
This Cam Lock Fastening System will be used throughout the assembly process



1

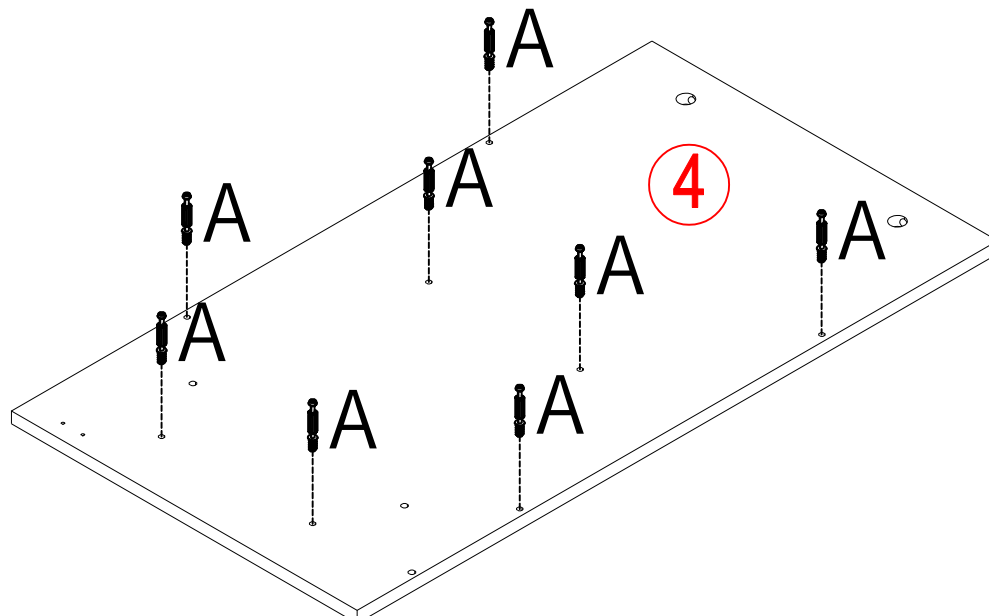


A M5x42

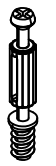


8 PCS

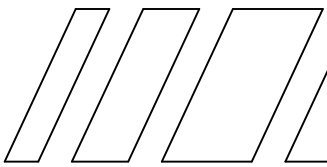
2



A M5x42

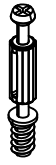


8 PCS

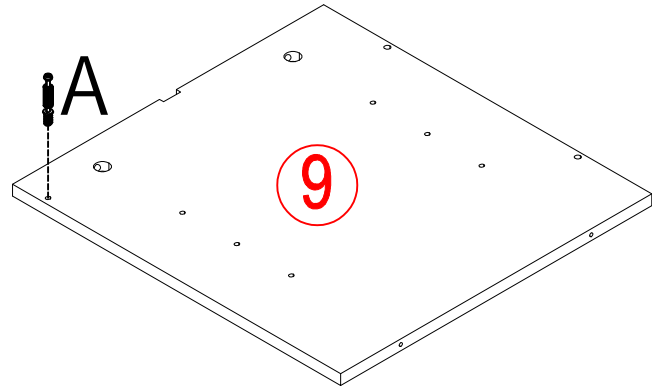
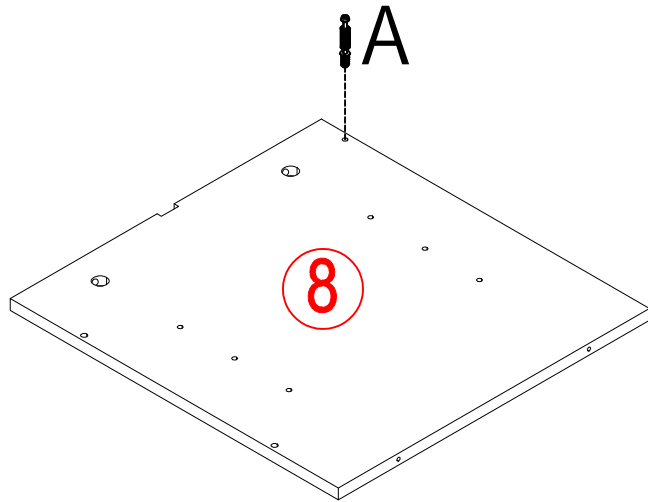


3

A M5x42

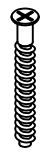


2 PCS

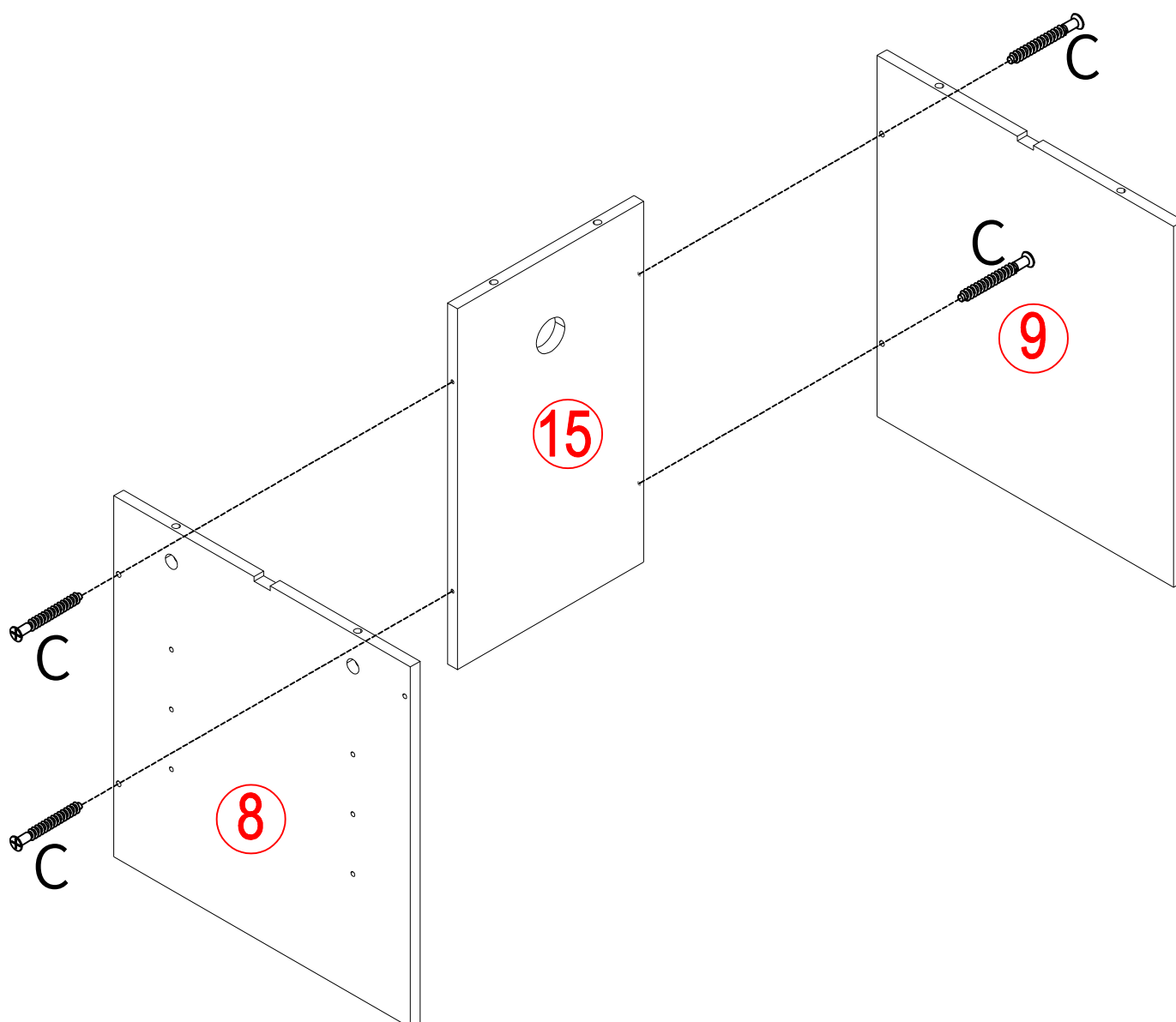


4

C M5x40



4 PCS

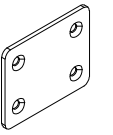


5

C M5x40

D Ø3.5x12

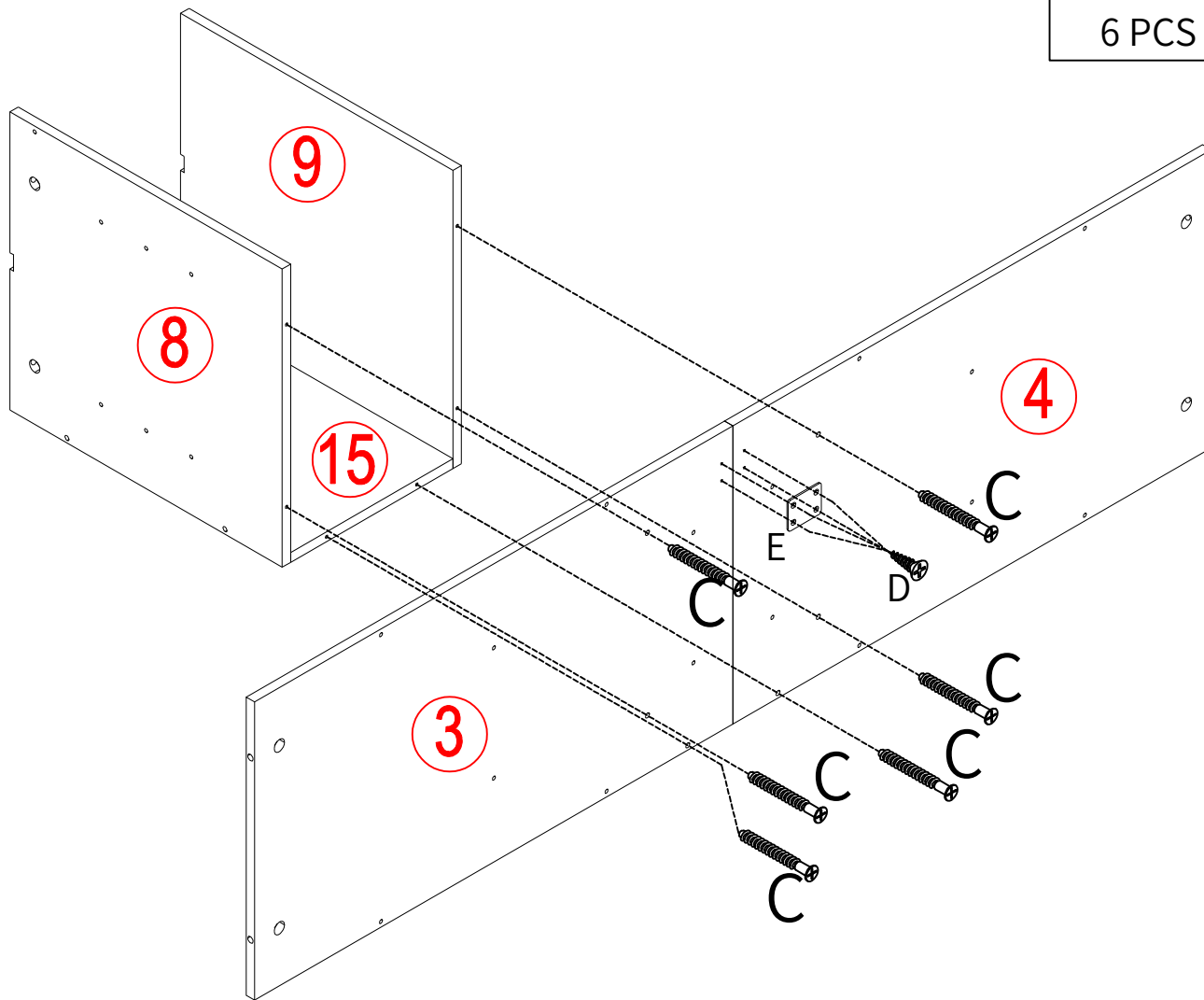
E



6 PCS

4 PCS

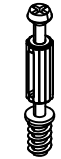
1 PCS



6

A M5x42

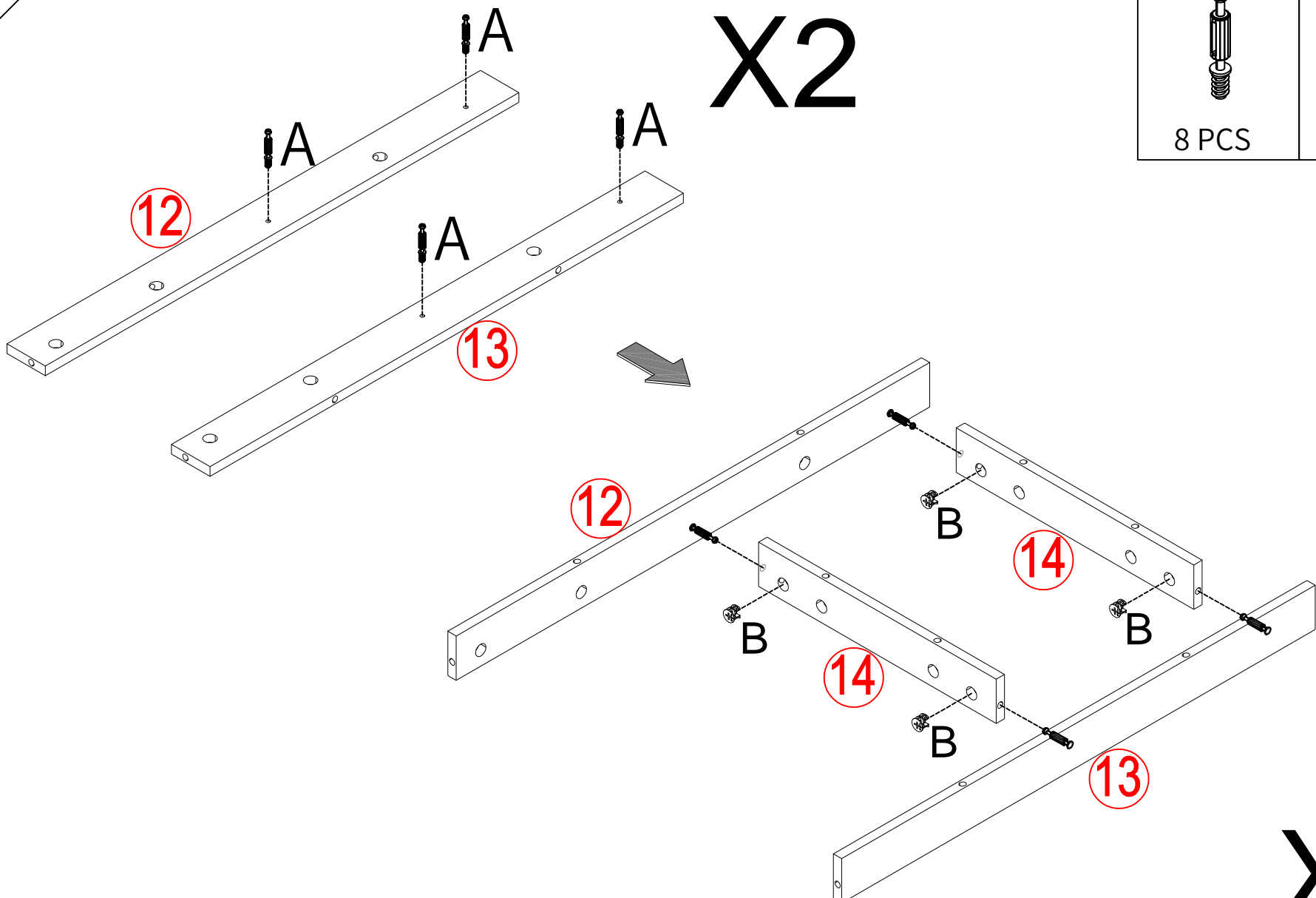
B Ø15x10



8 PCS

8 PCS

X2



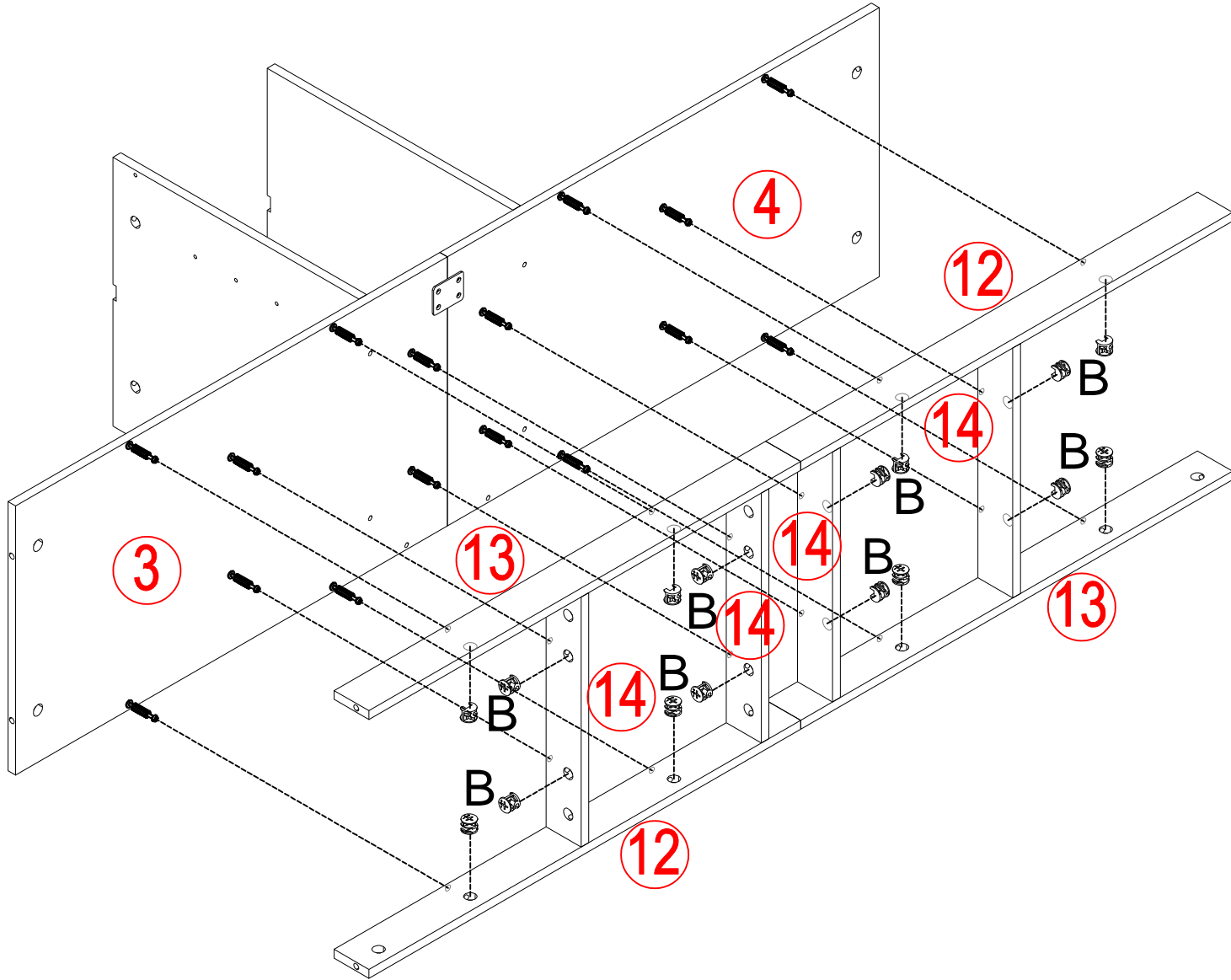
X2

7

B Ø15x10



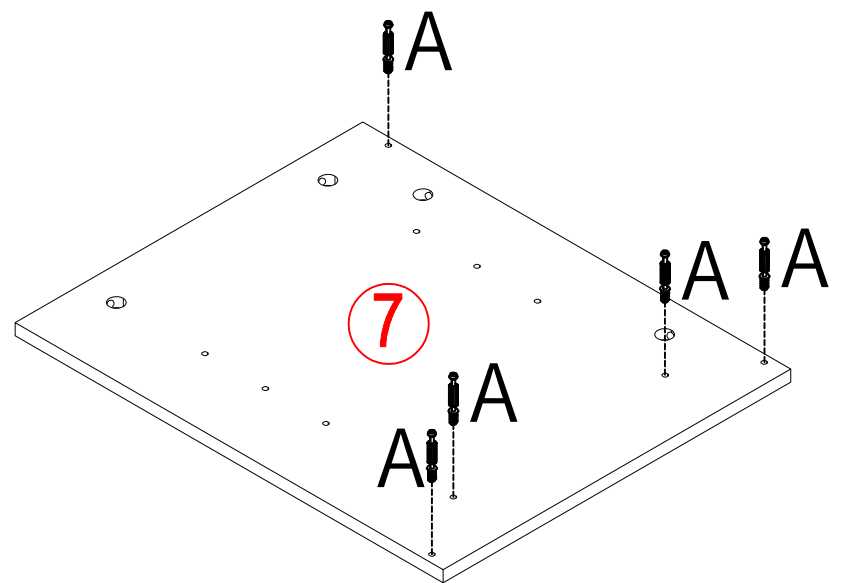
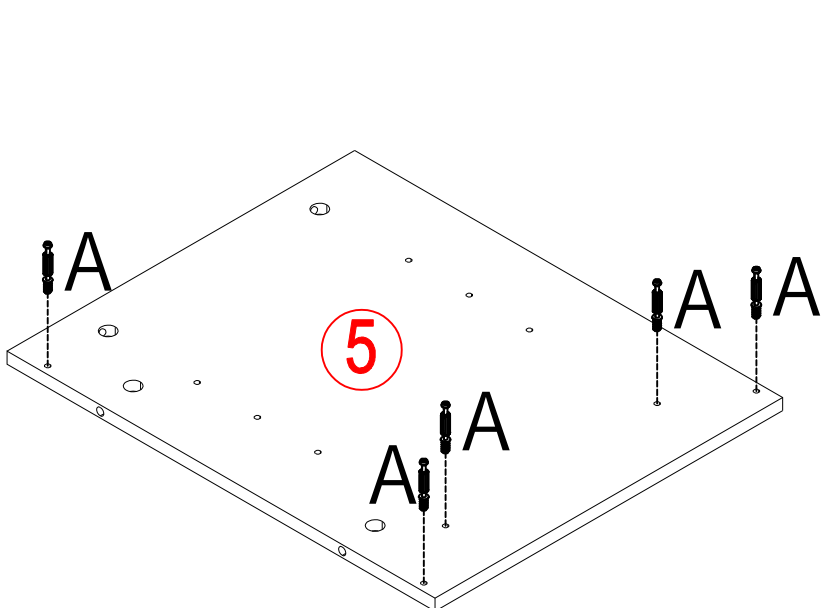
16 PCS



A M5x42



10 PCS



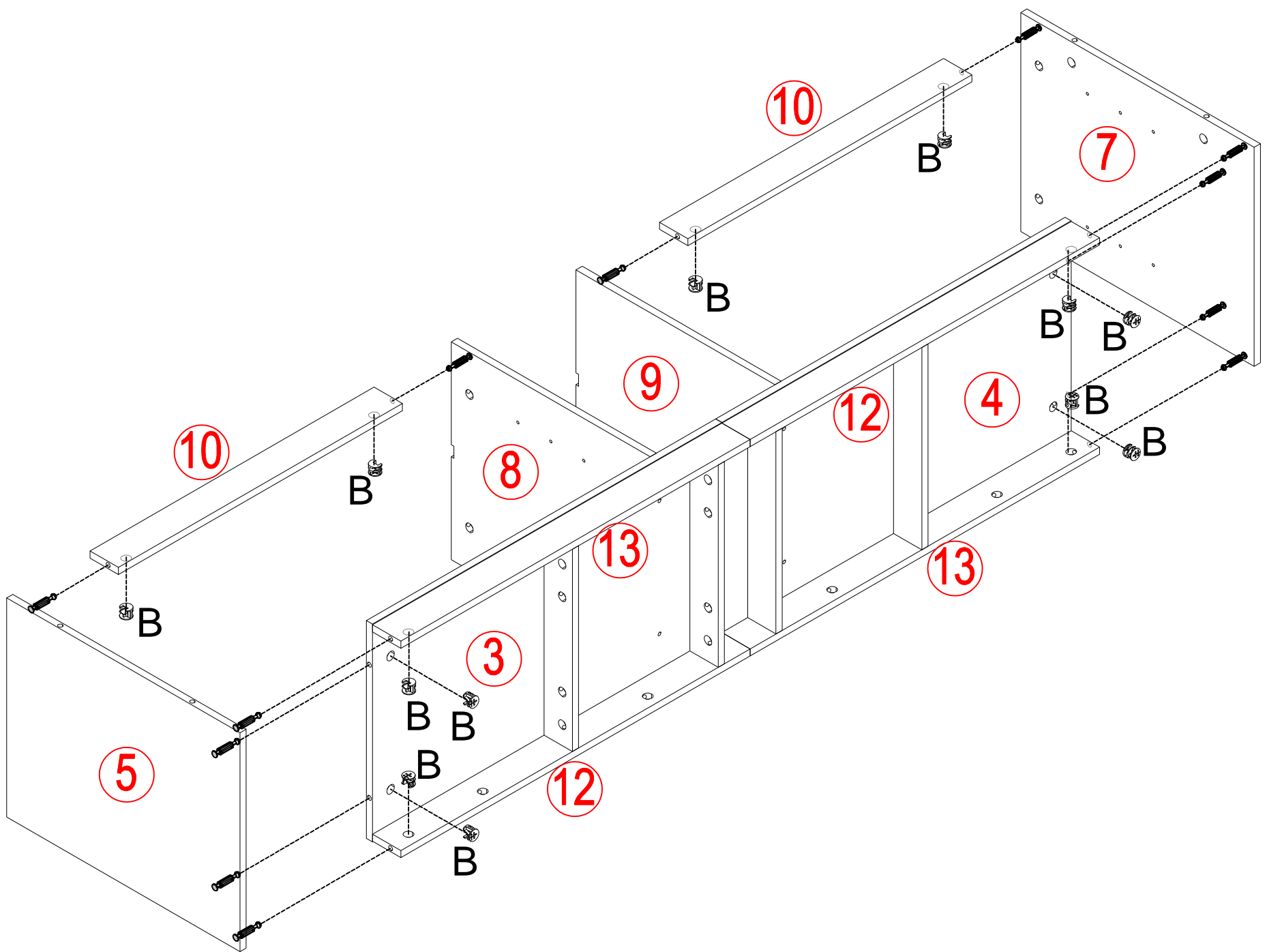


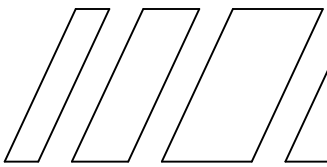
8

B Ø15x10



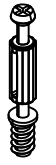
12 PCS



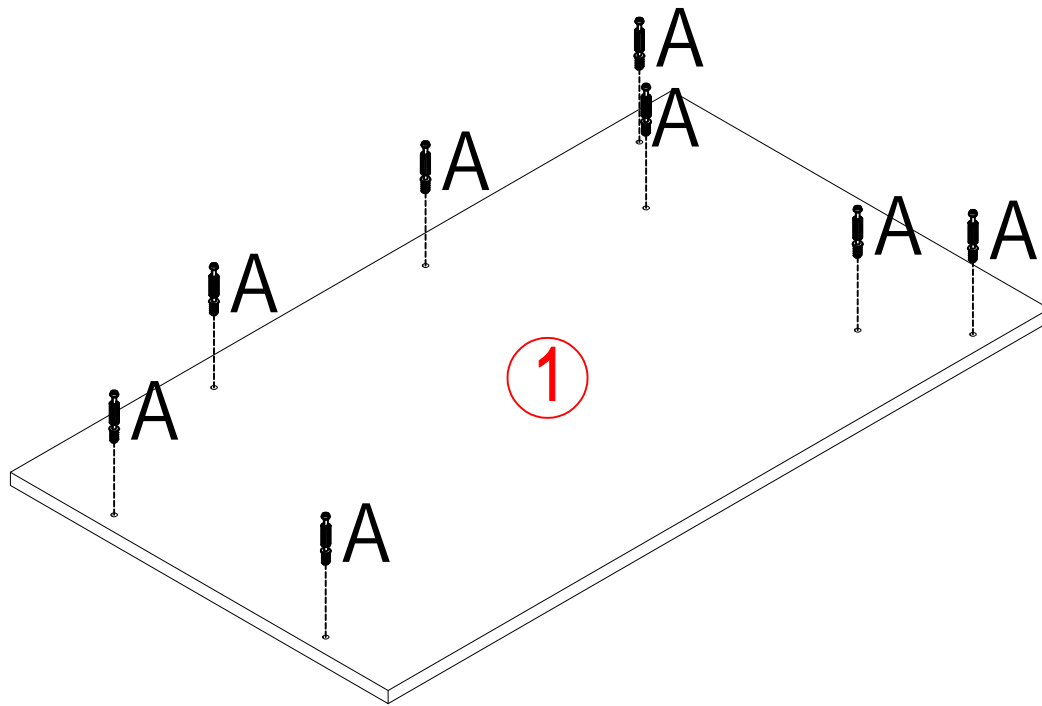


10

A M5x42

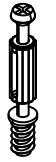


8 PCS

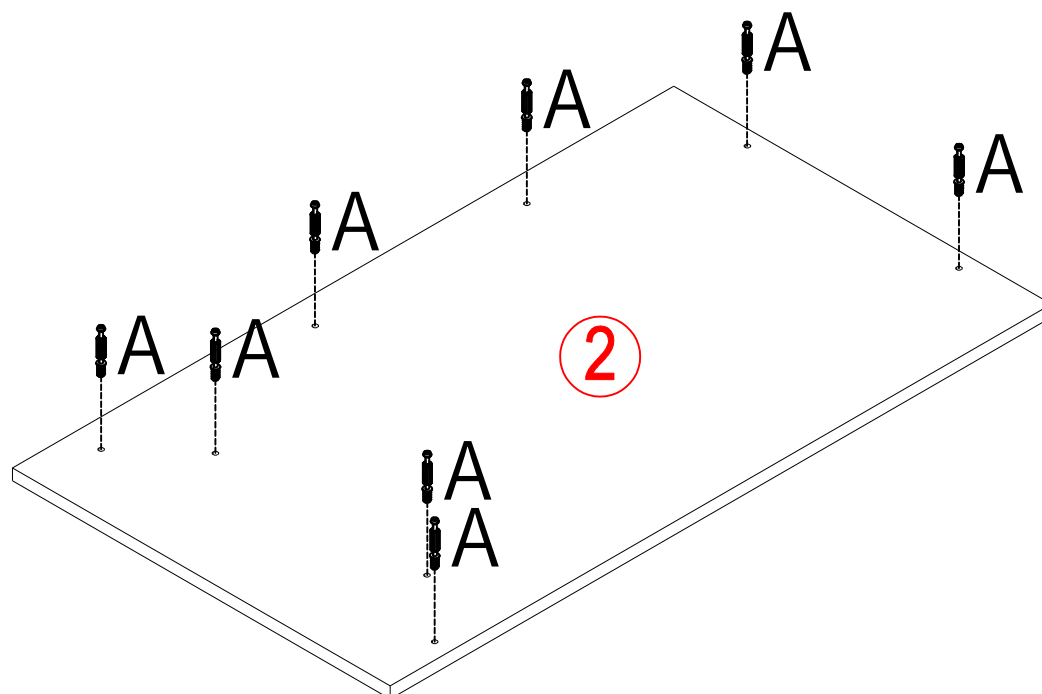


9

A M5x42



8 PCS

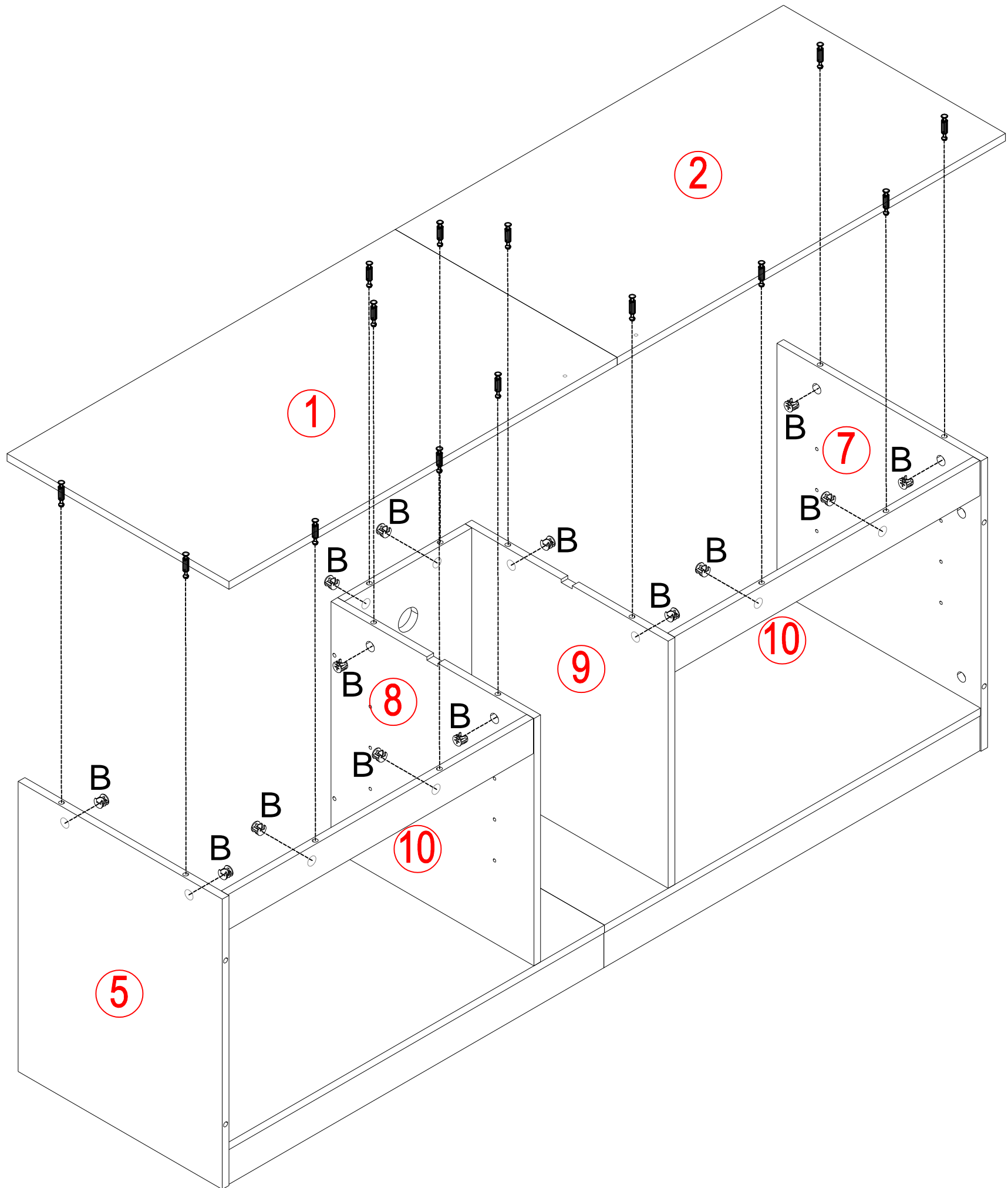


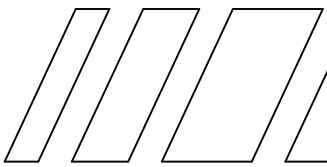
11

B Ø15x10



14 PCS



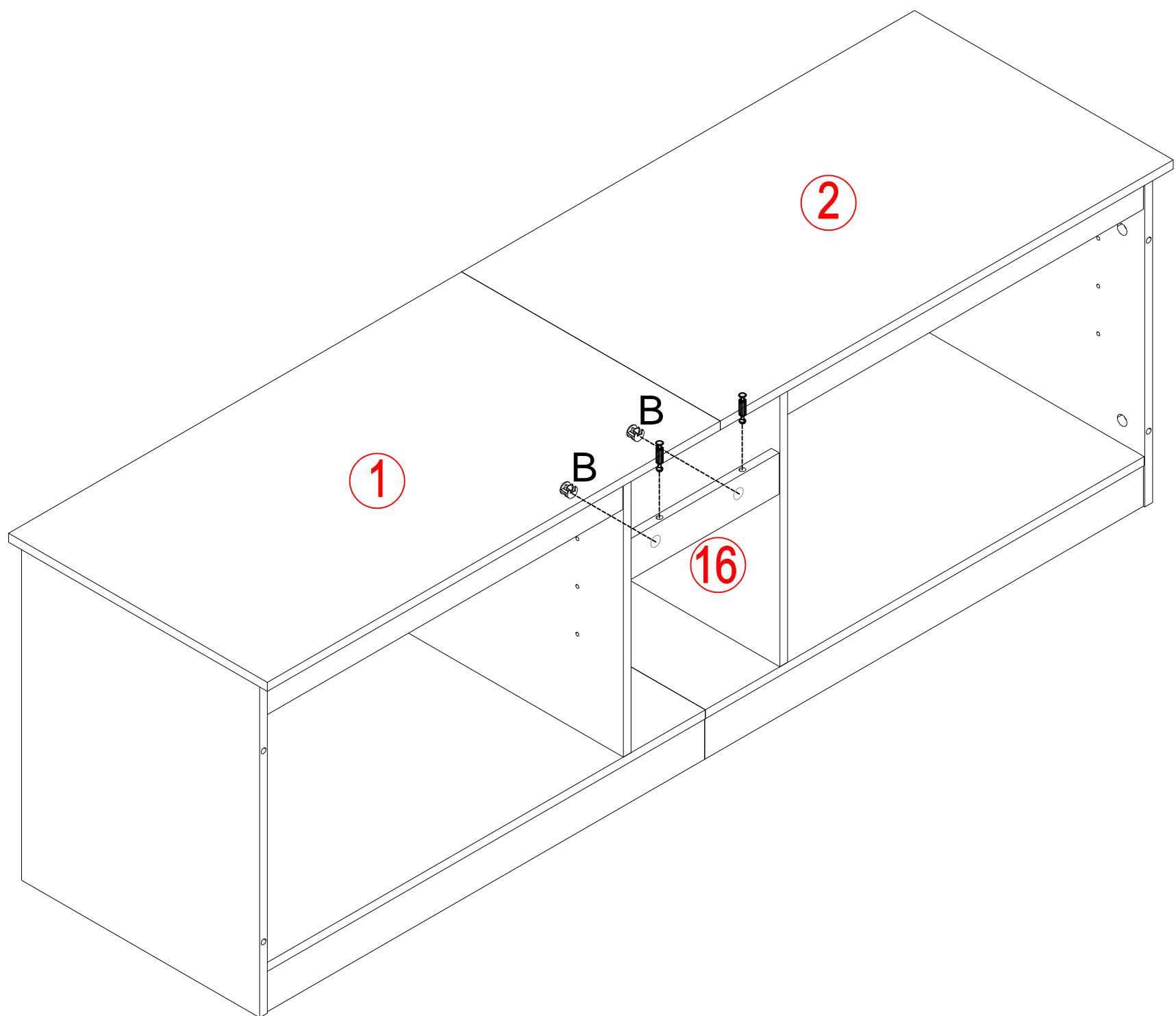


12

B Ø15x10



2 PCS

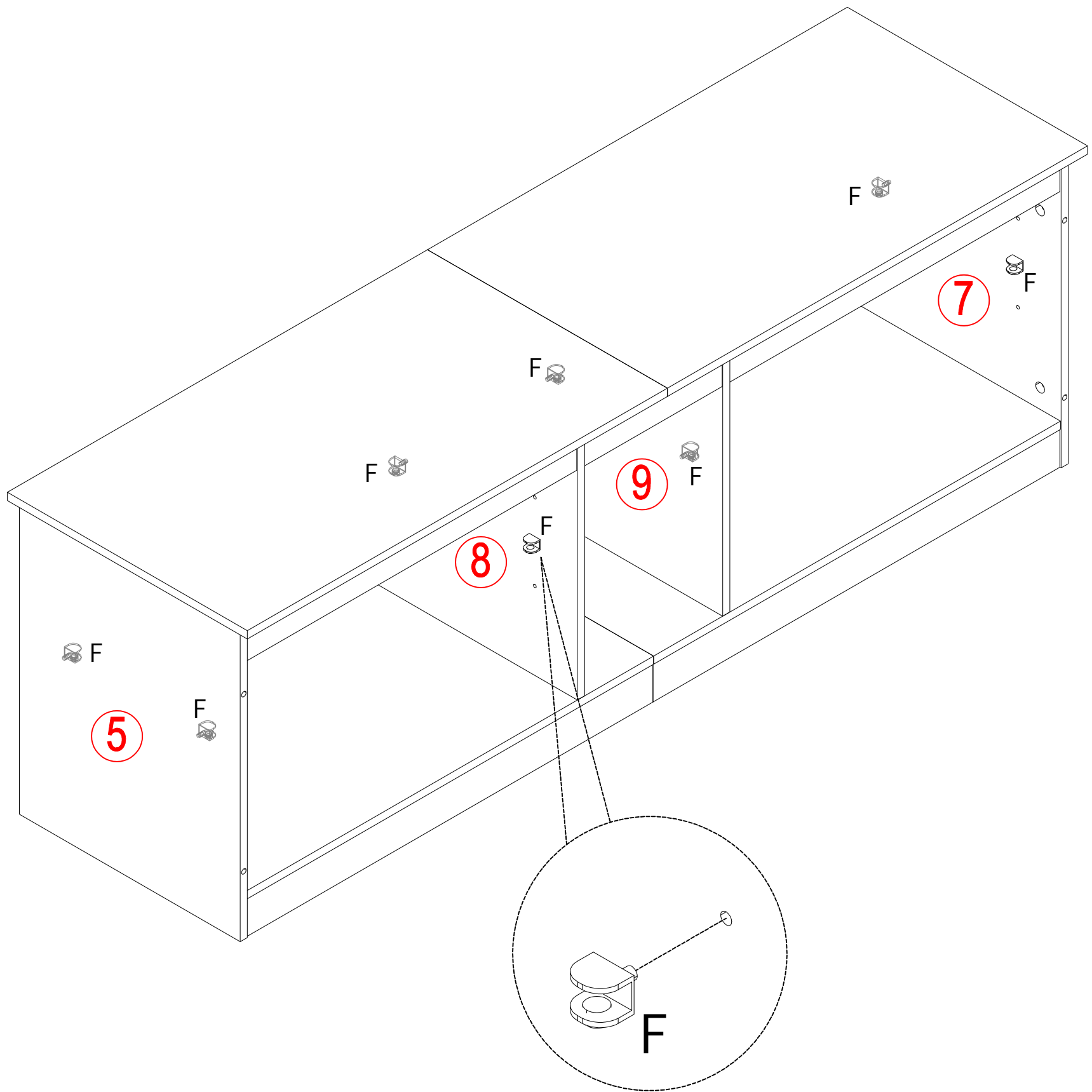


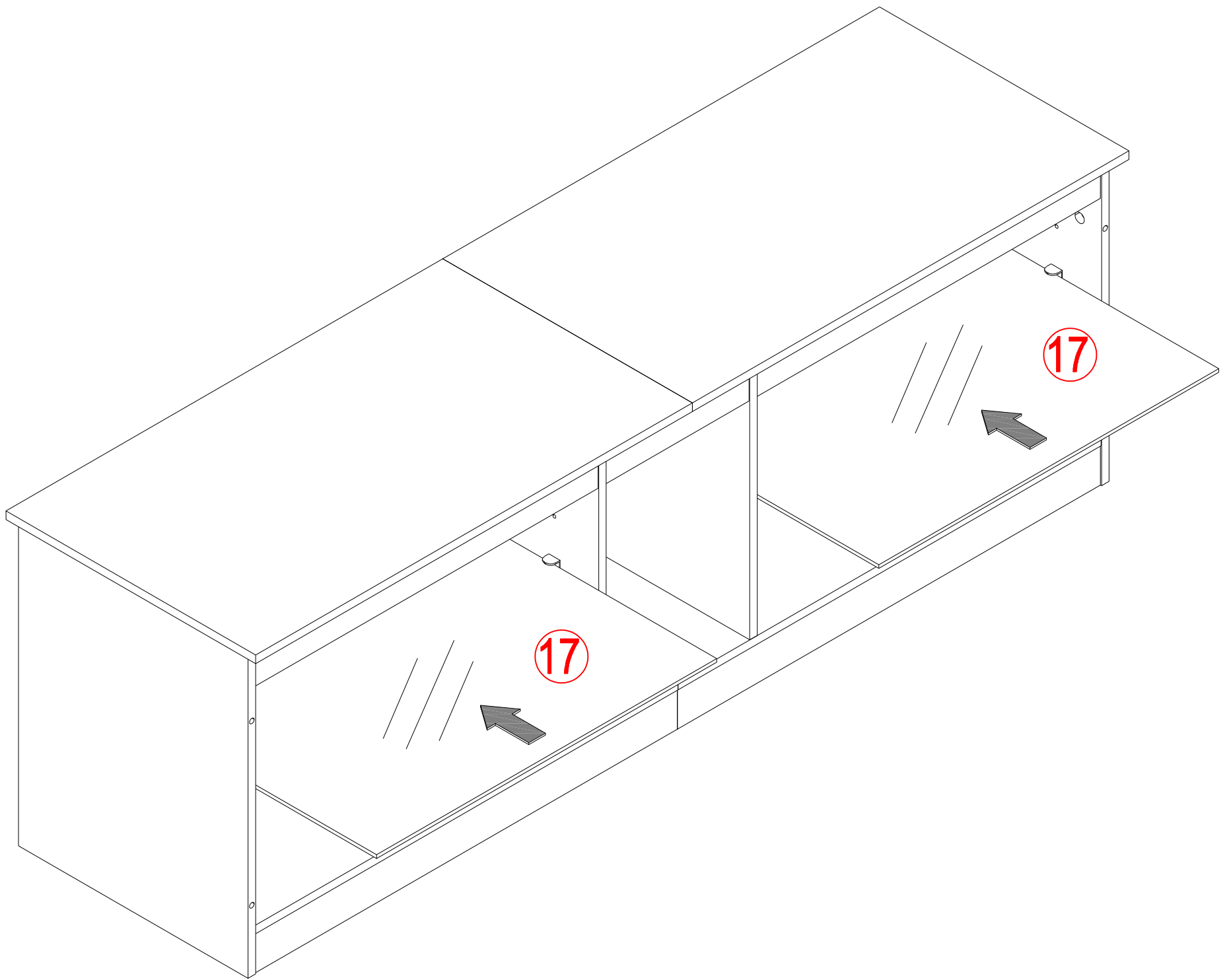
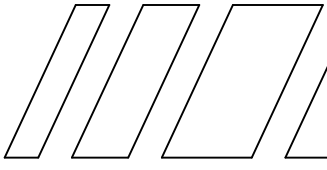
14



F

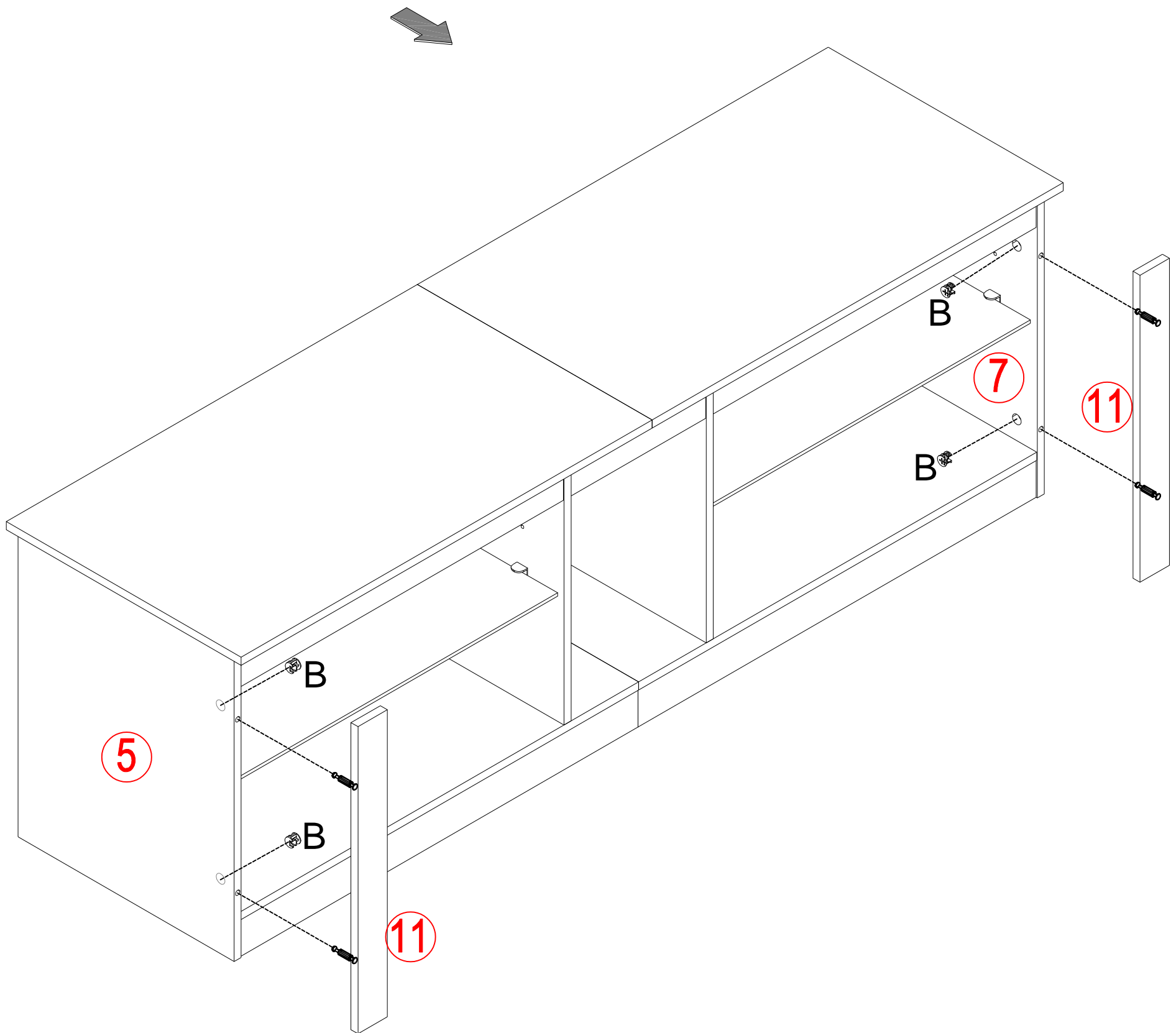
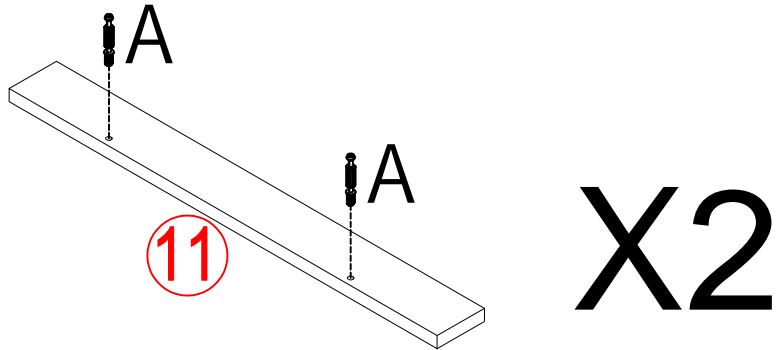


8 PCS

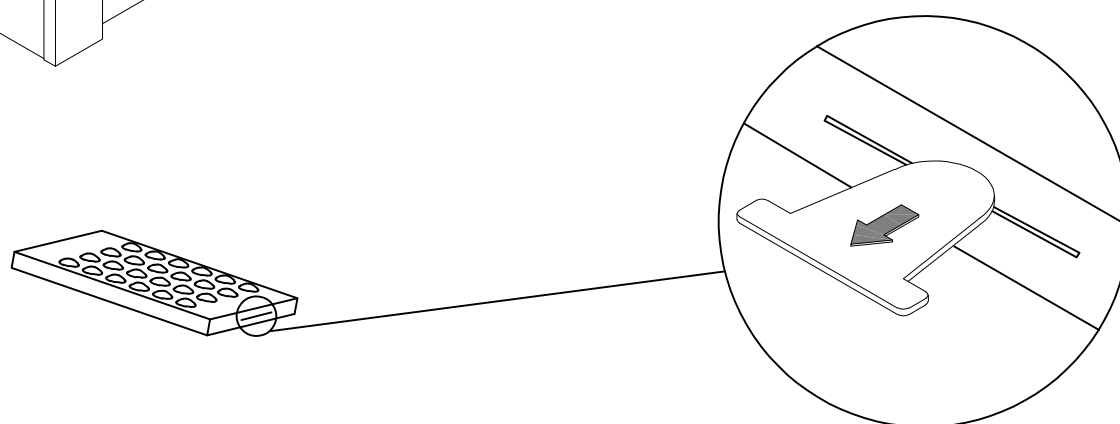
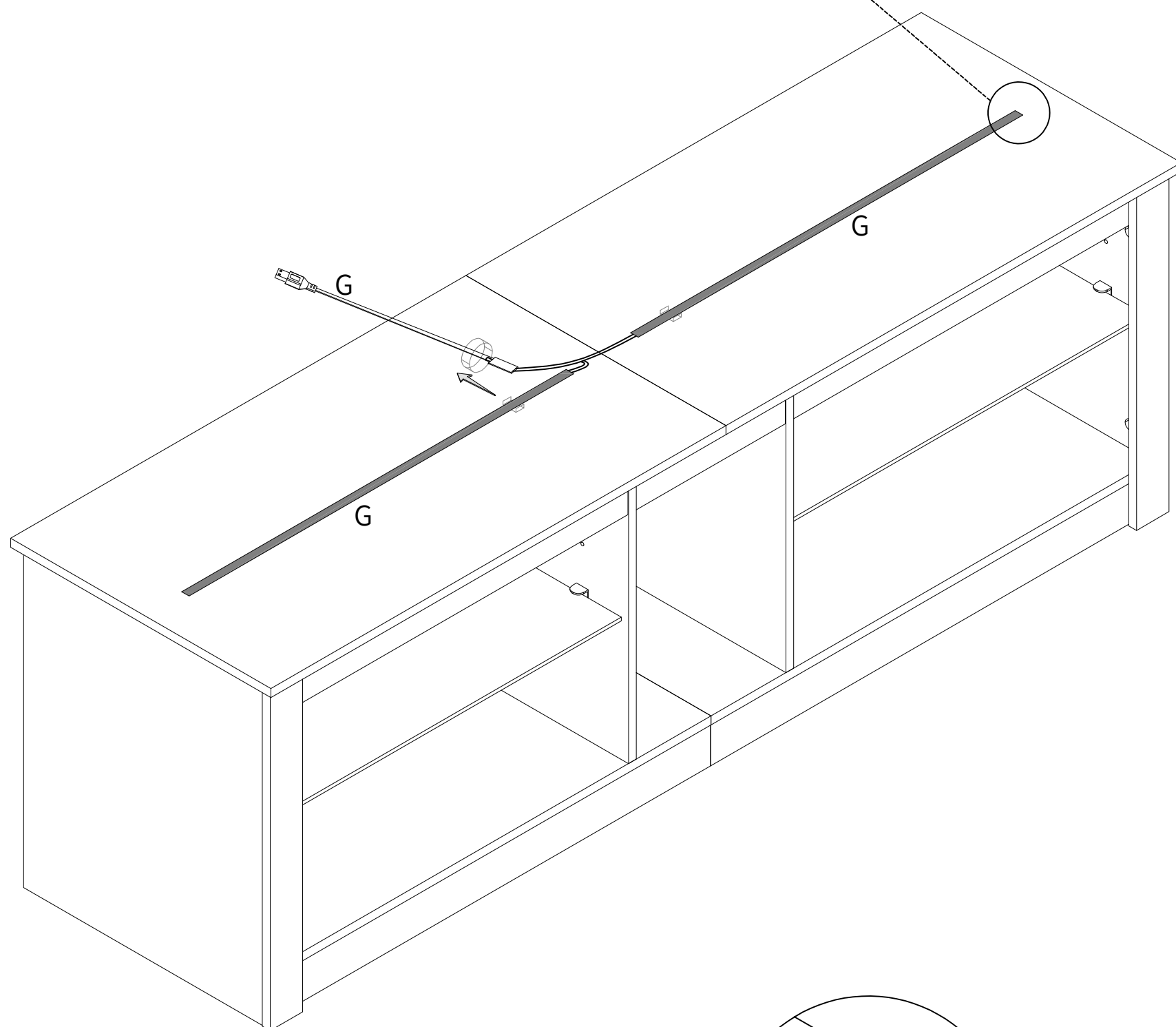
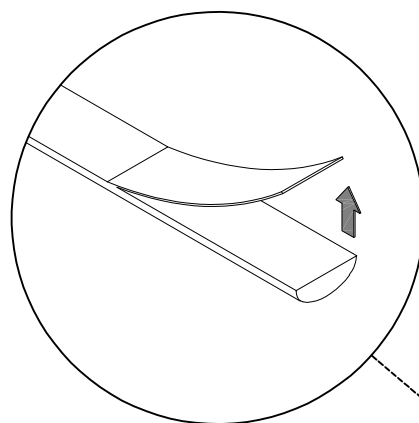
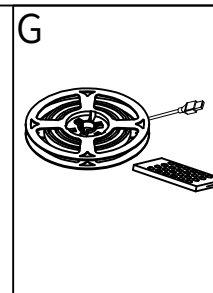




A M5x42	B Ø15x10
	
4 PCS	4 PCS



Tear off the tape and apply it to the plate, Then press it firmly with your hand



Remove the plastic piece before using the remote .  
Read the manual for the remote control .