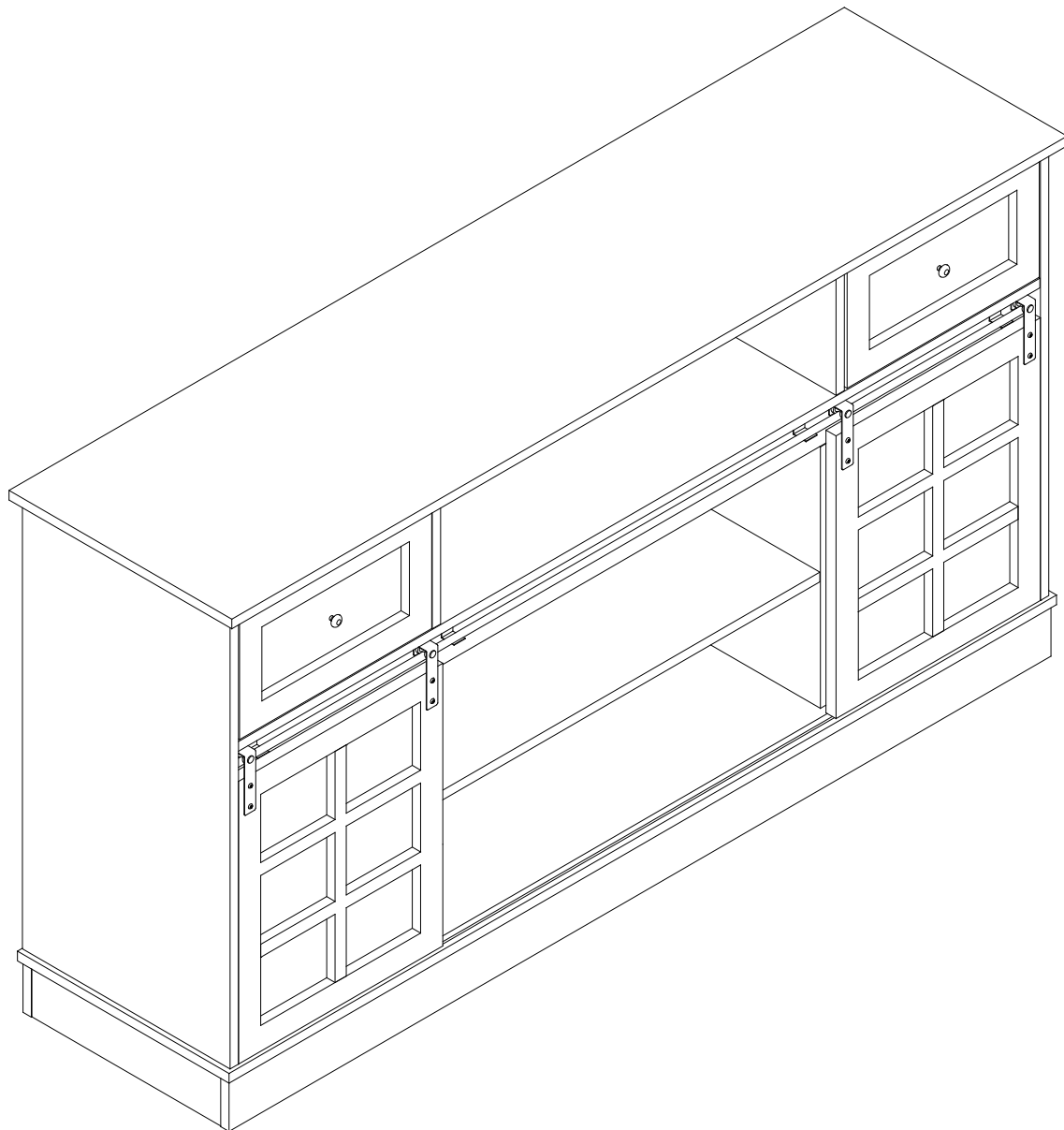
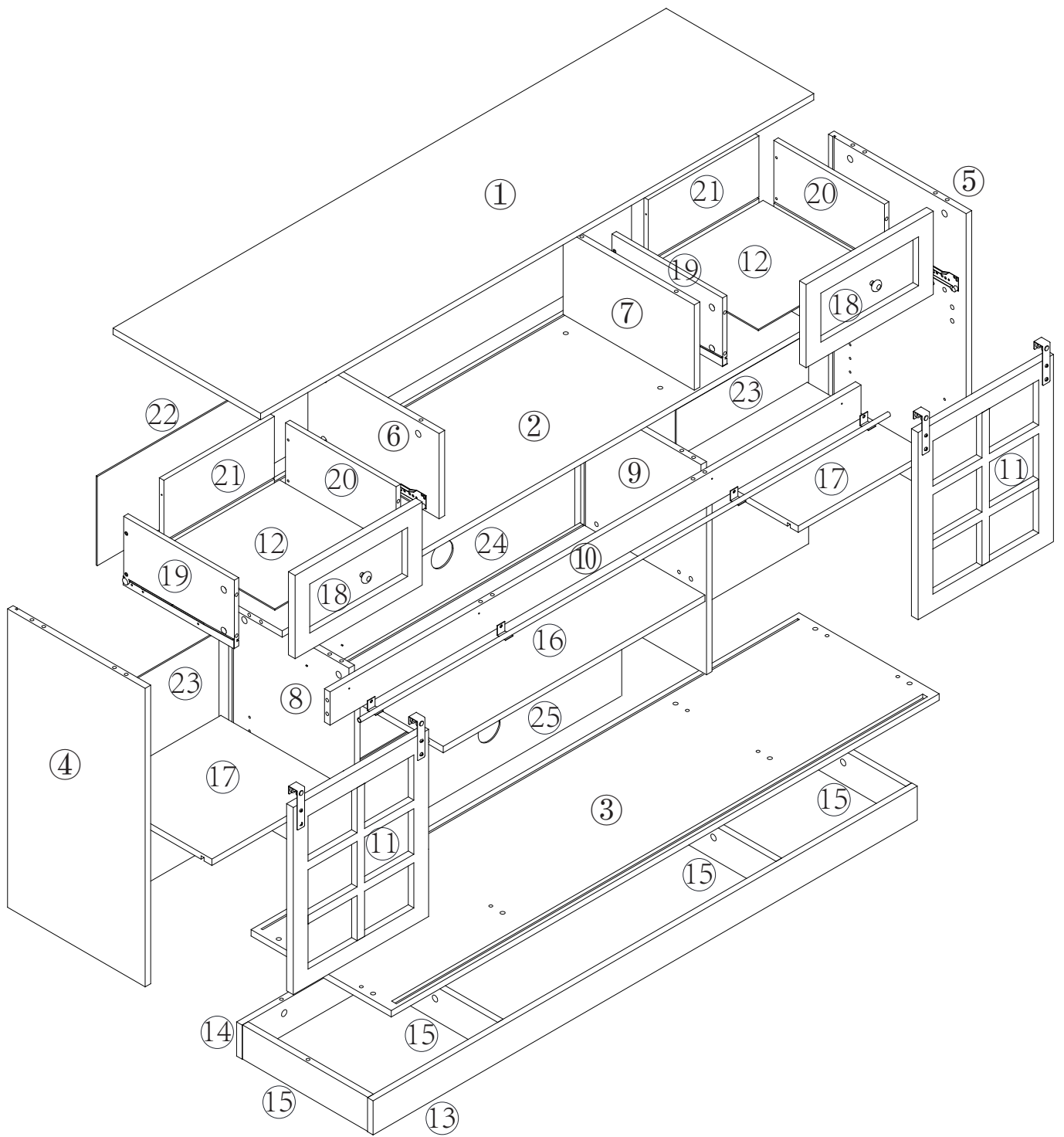
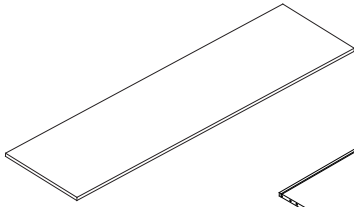


WF306440
WF306441

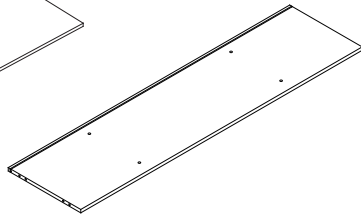




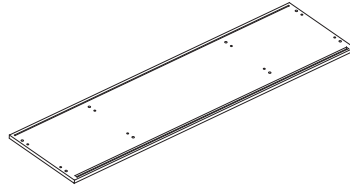
① x 1



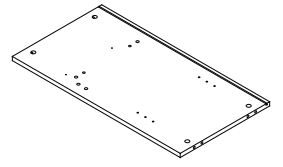
② x 1



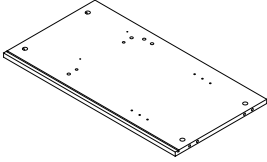
③ x 1



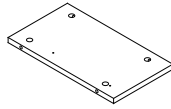
④ x 1



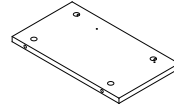
⑤ x 1



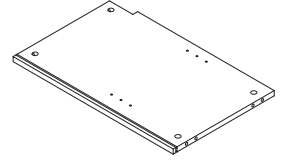
⑥ x 1



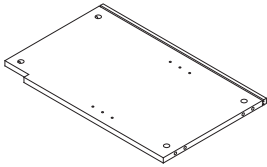
⑦ x 1



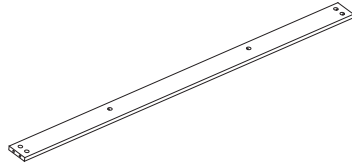
⑧ x 1



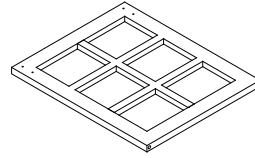
⑨ x 1



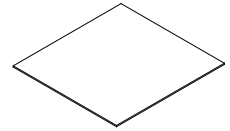
⑩ x 1



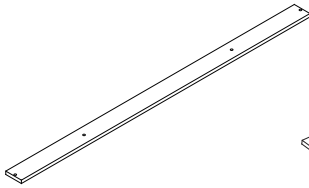
⑪ x 2



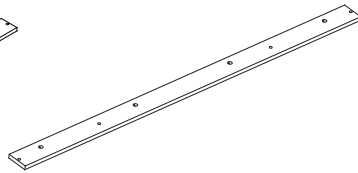
⑫ x 2



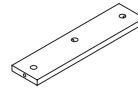
⑬ x 1



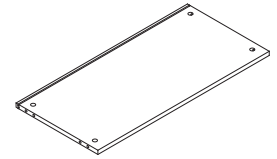
⑭ x 1



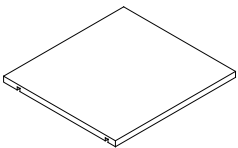
⑮ x 4



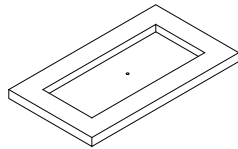
⑯ x 1



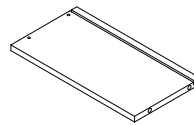
⑰ x 2



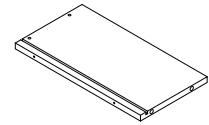
⑱ x 2



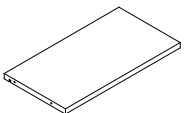
⑲ x 2



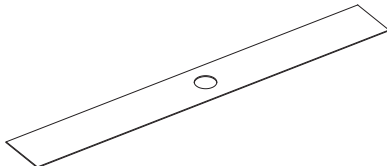
⑳ x 2



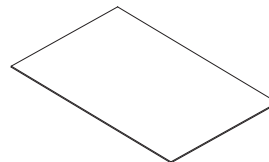
㉑ x 2



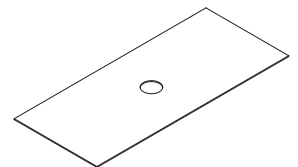
㉒ x 1



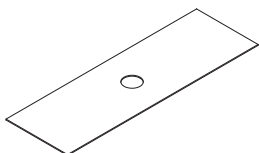
㉓ x 2



㉔ x 1



㉕ x 1



Hardwareliste

Größe

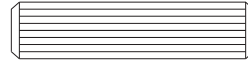


$\phi 15 \times 9.5 \text{mm}$

A X 62

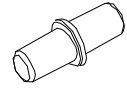


B X 62

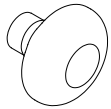


$\phi 8 \times 30 \text{mm}$

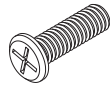
C X 28



DX 8

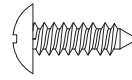


EX 2



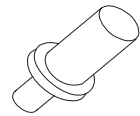
M4x8mm

FX 2

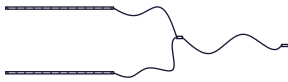


$\phi 4 \times 14 \text{mm}$

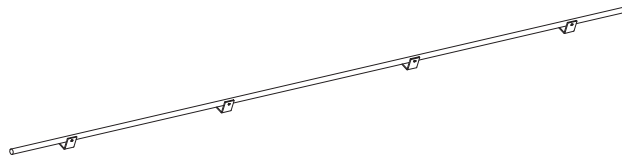
G X 12



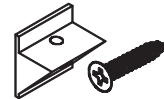
H X 4



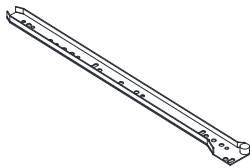
I X 1



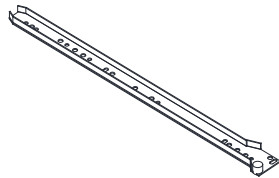
J X 1



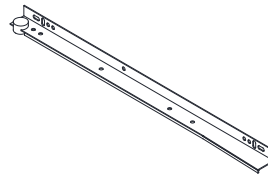
K X 4



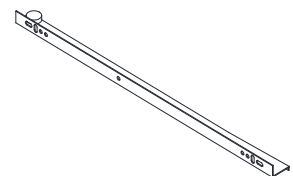
L X 2



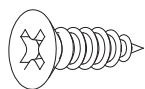
MX 2



N X 2

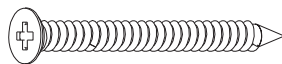


OX 2



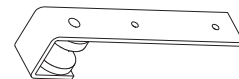
3.5x12mm

P X 16



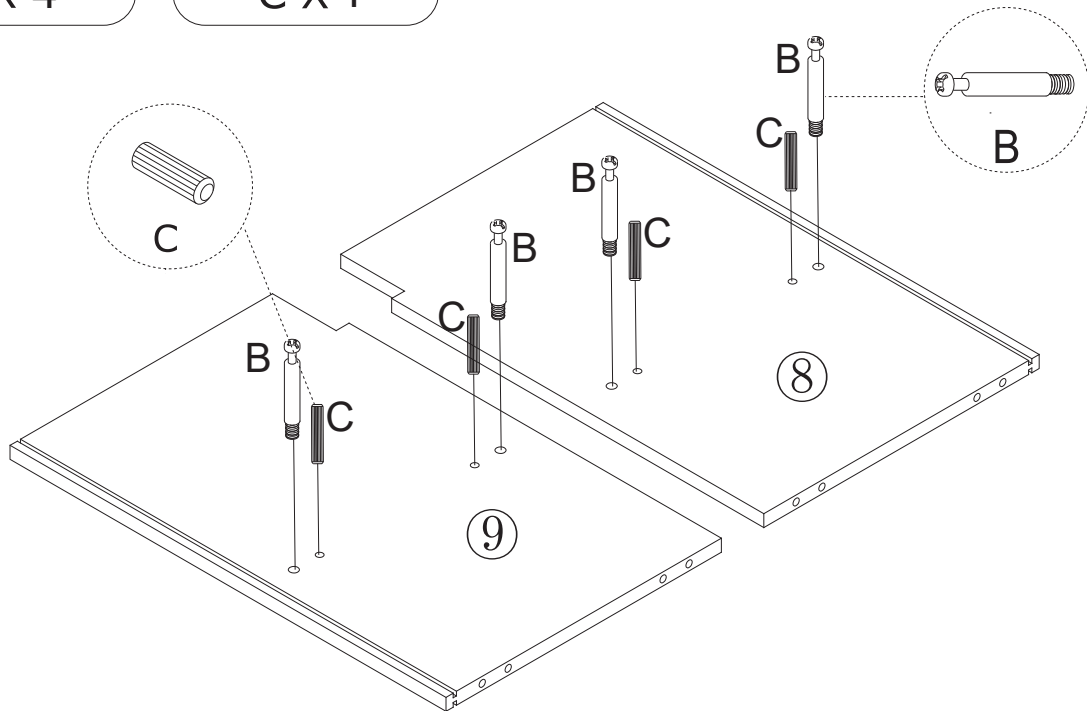
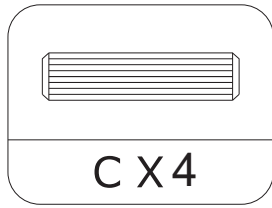
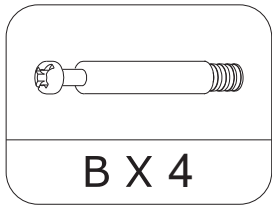
3.5x35mm

Q X 8

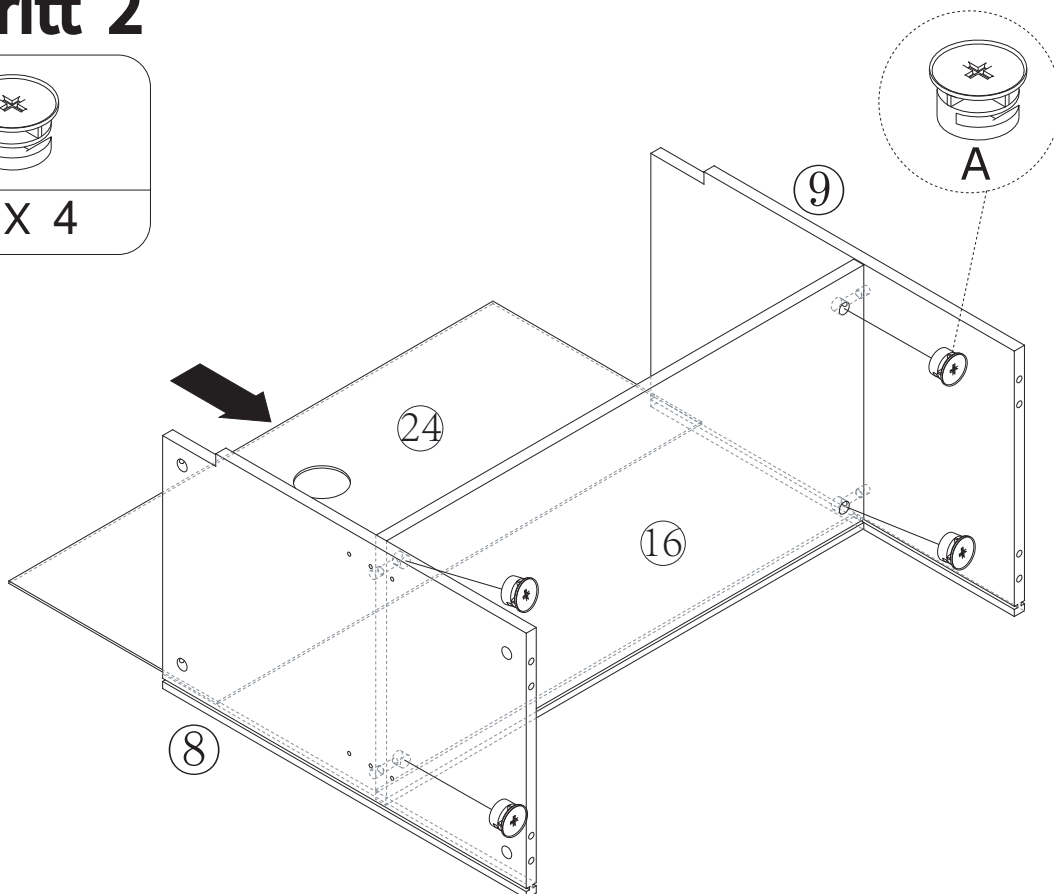
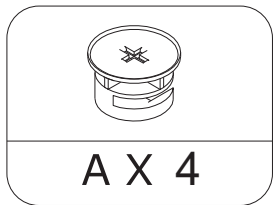


R X 4

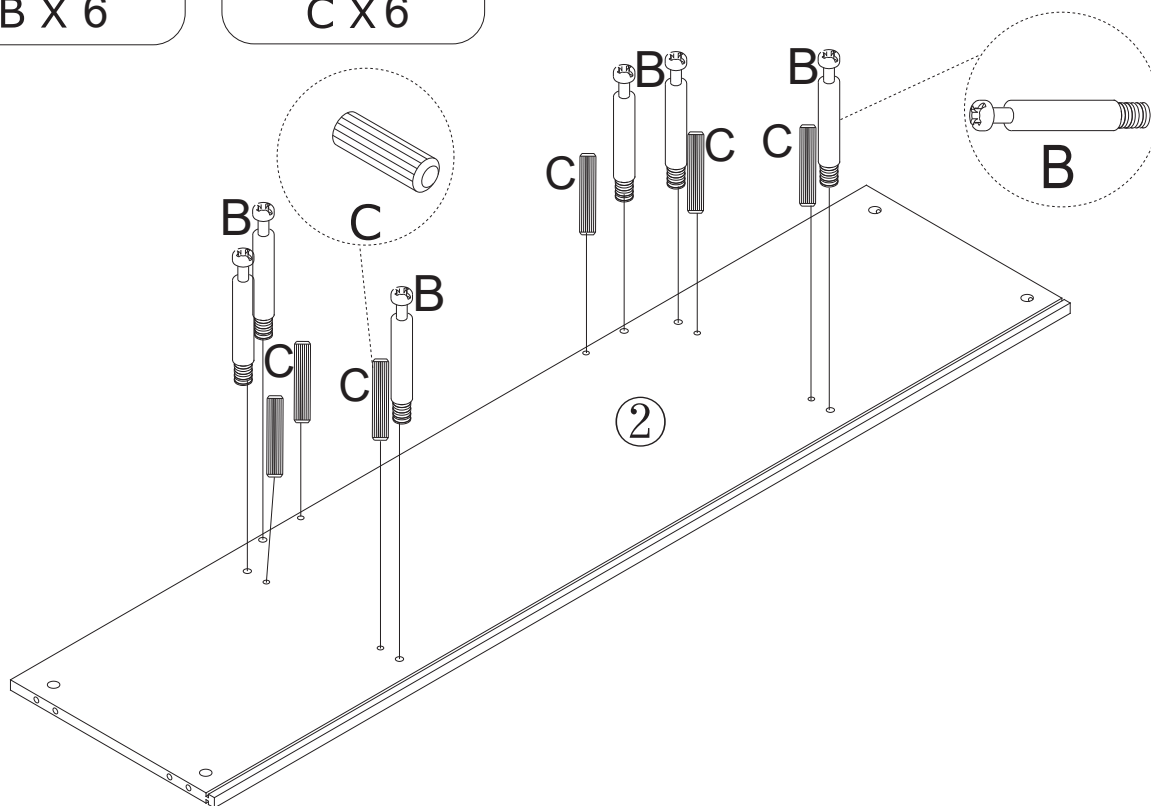
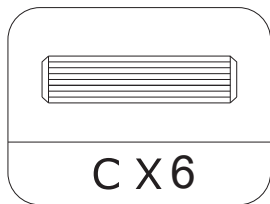
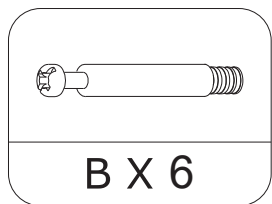
Schritt 1



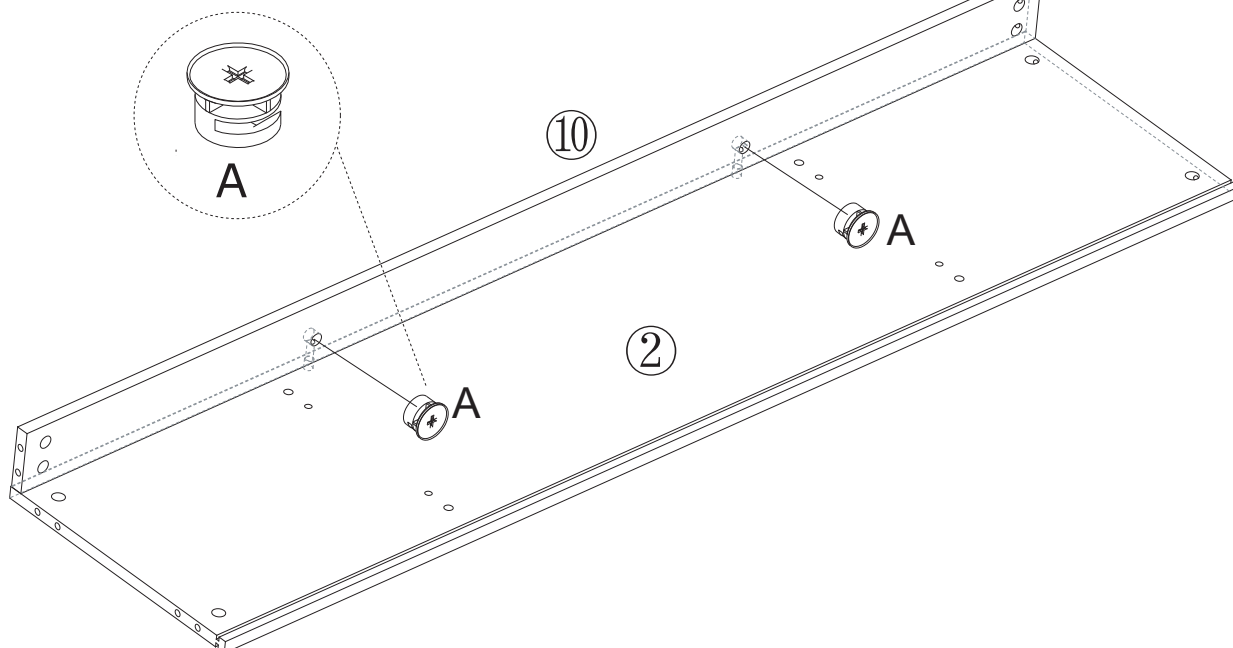
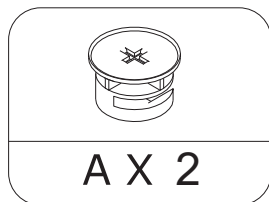
Schritt 2



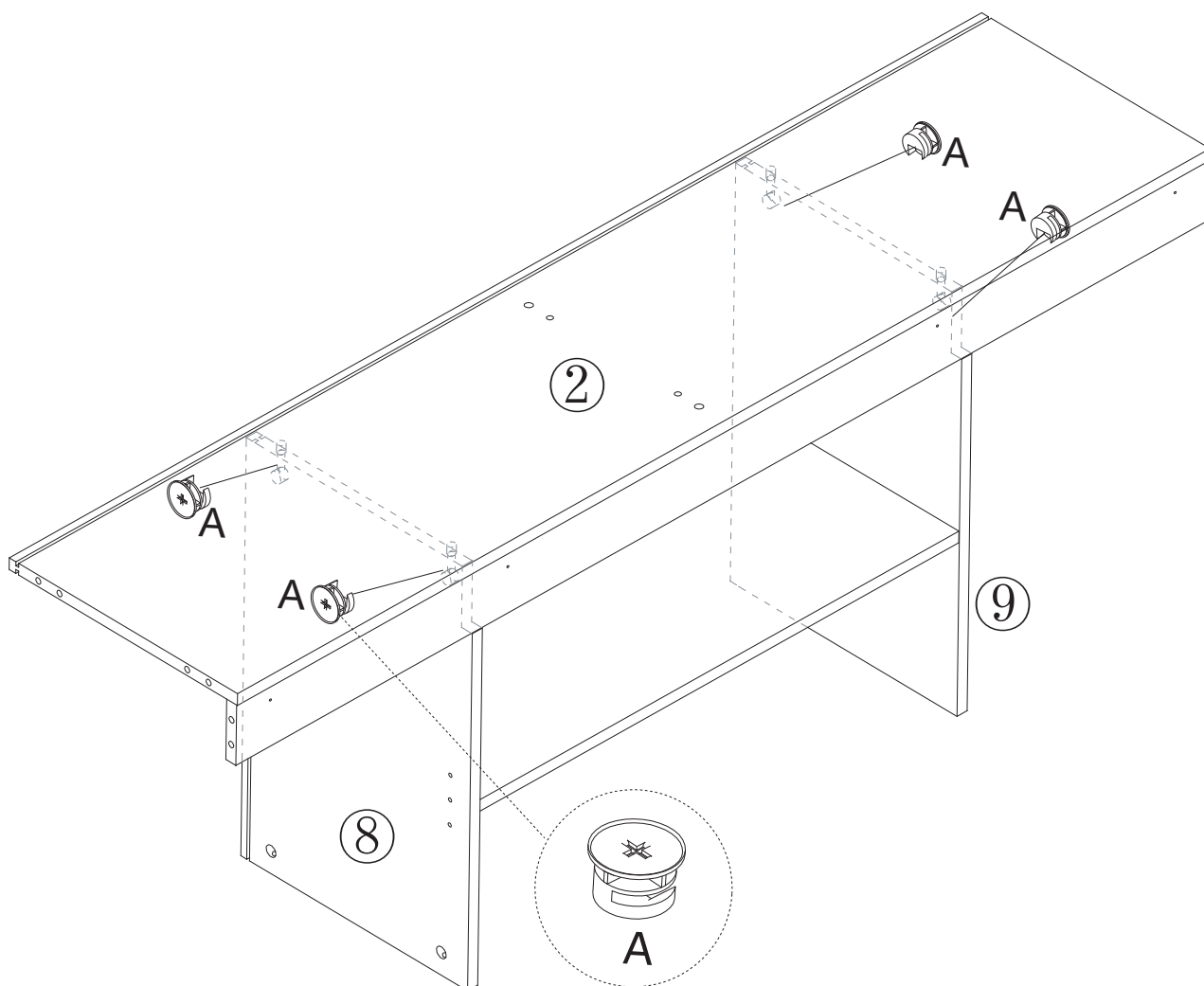
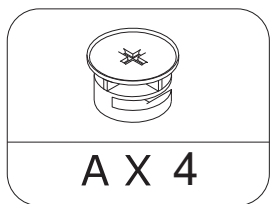
Schritt 3



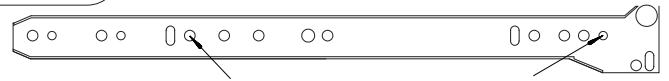
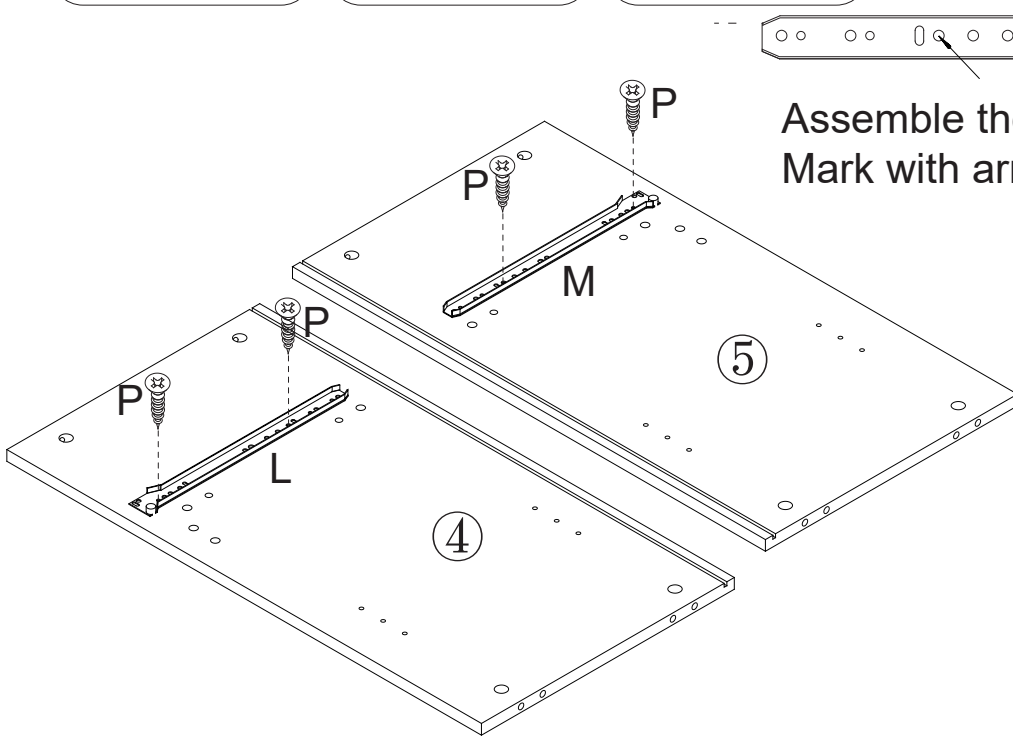
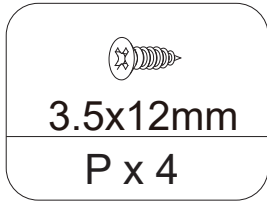
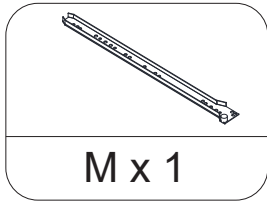
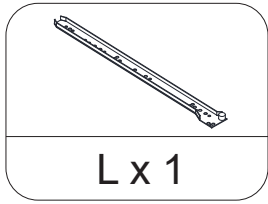
Schritt 4



Schritt 5

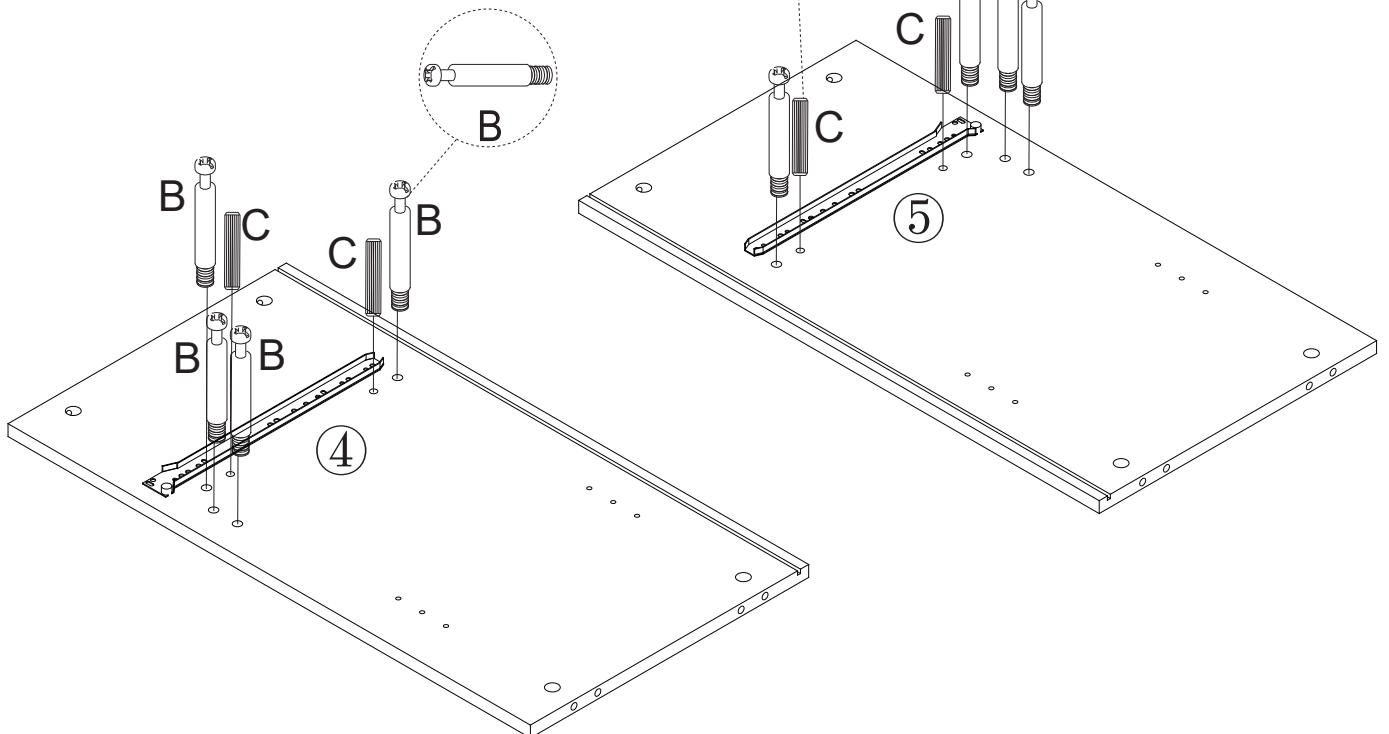
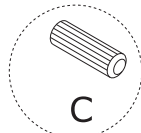
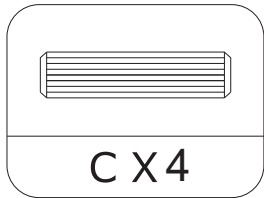
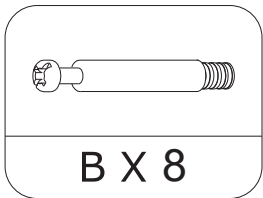


Schritt 6

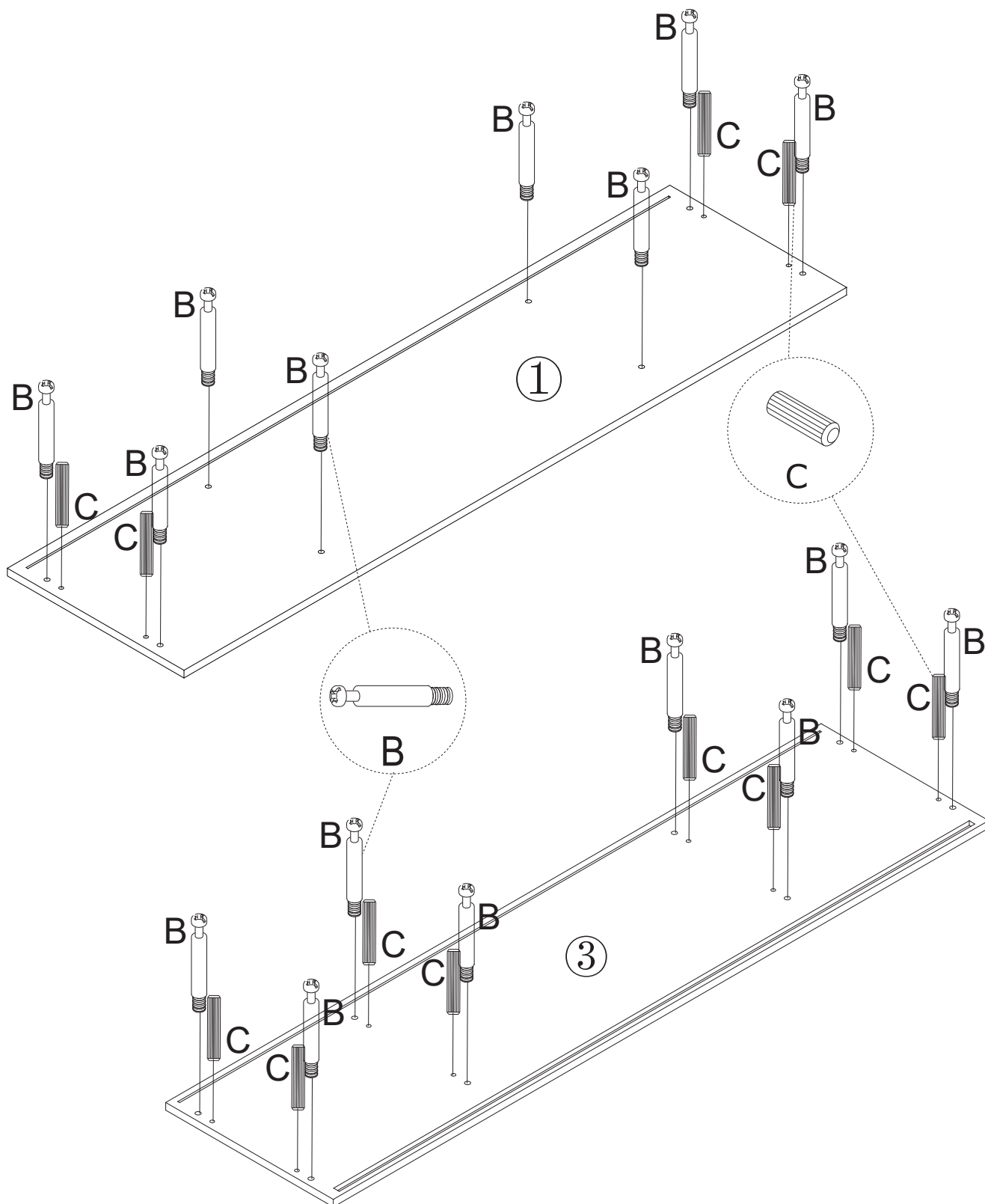
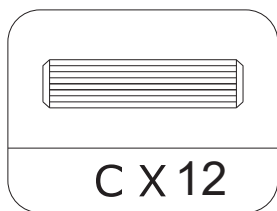
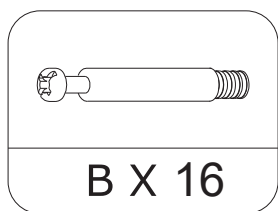


Assemble the screw into the hole
Mark with arrows

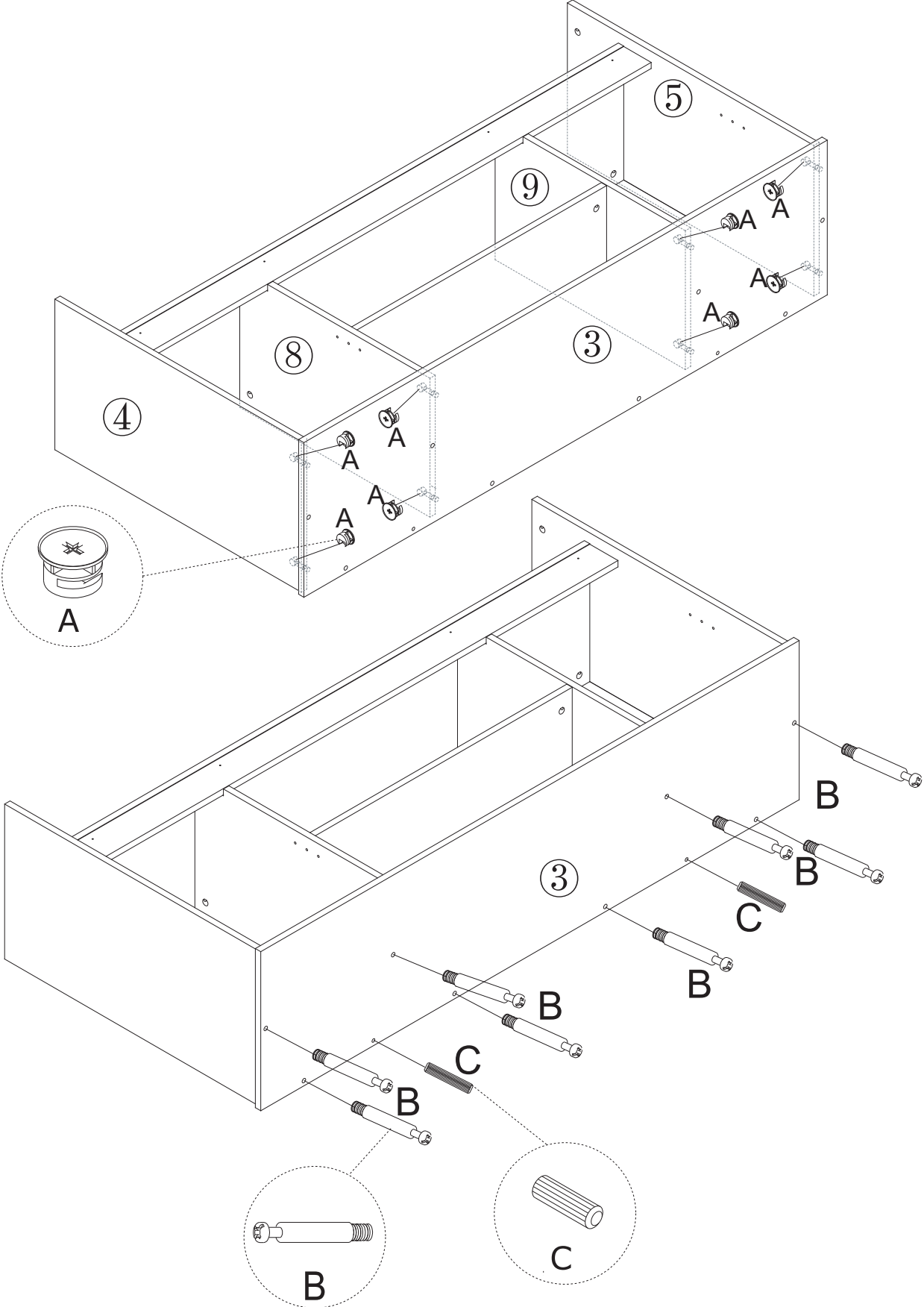
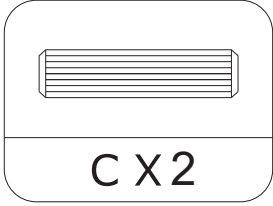
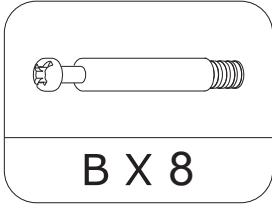
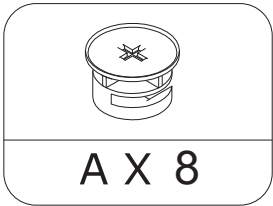
Schritt 7



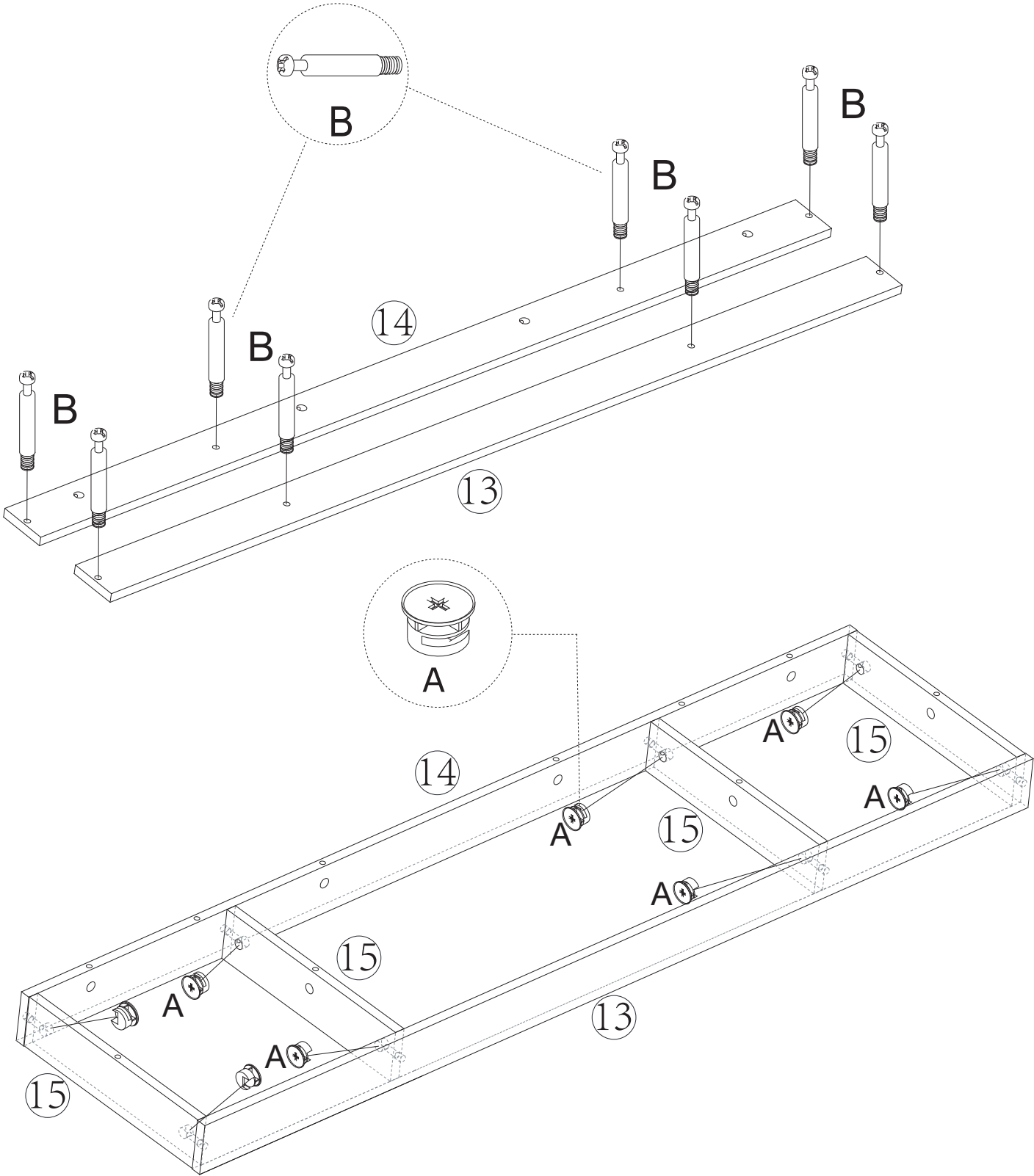
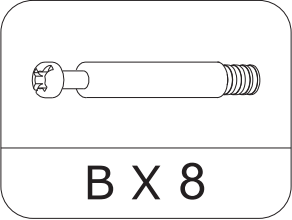
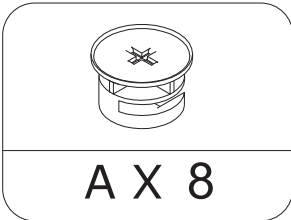
Schritt 10



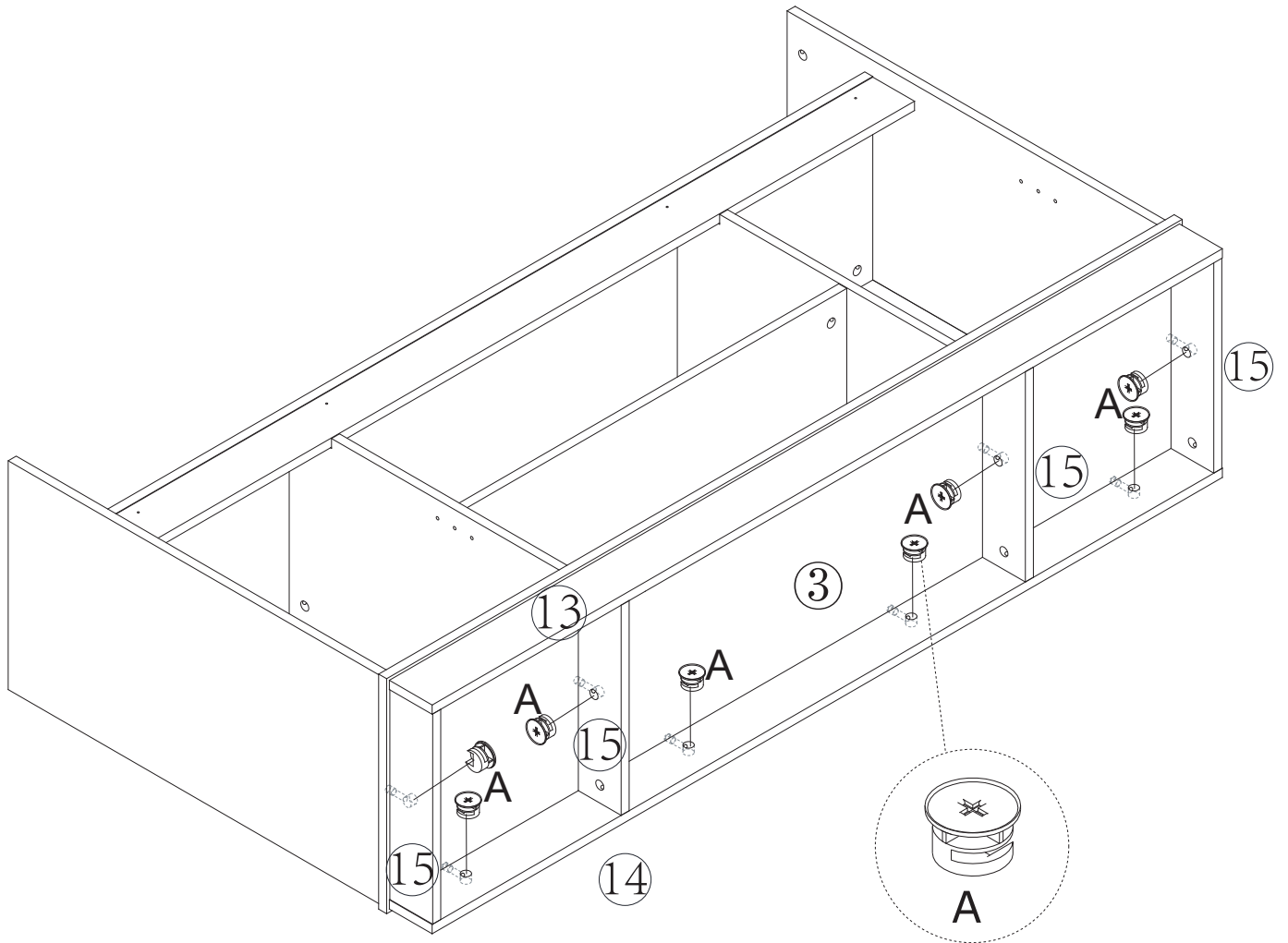
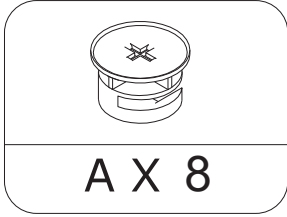
Schritt 11



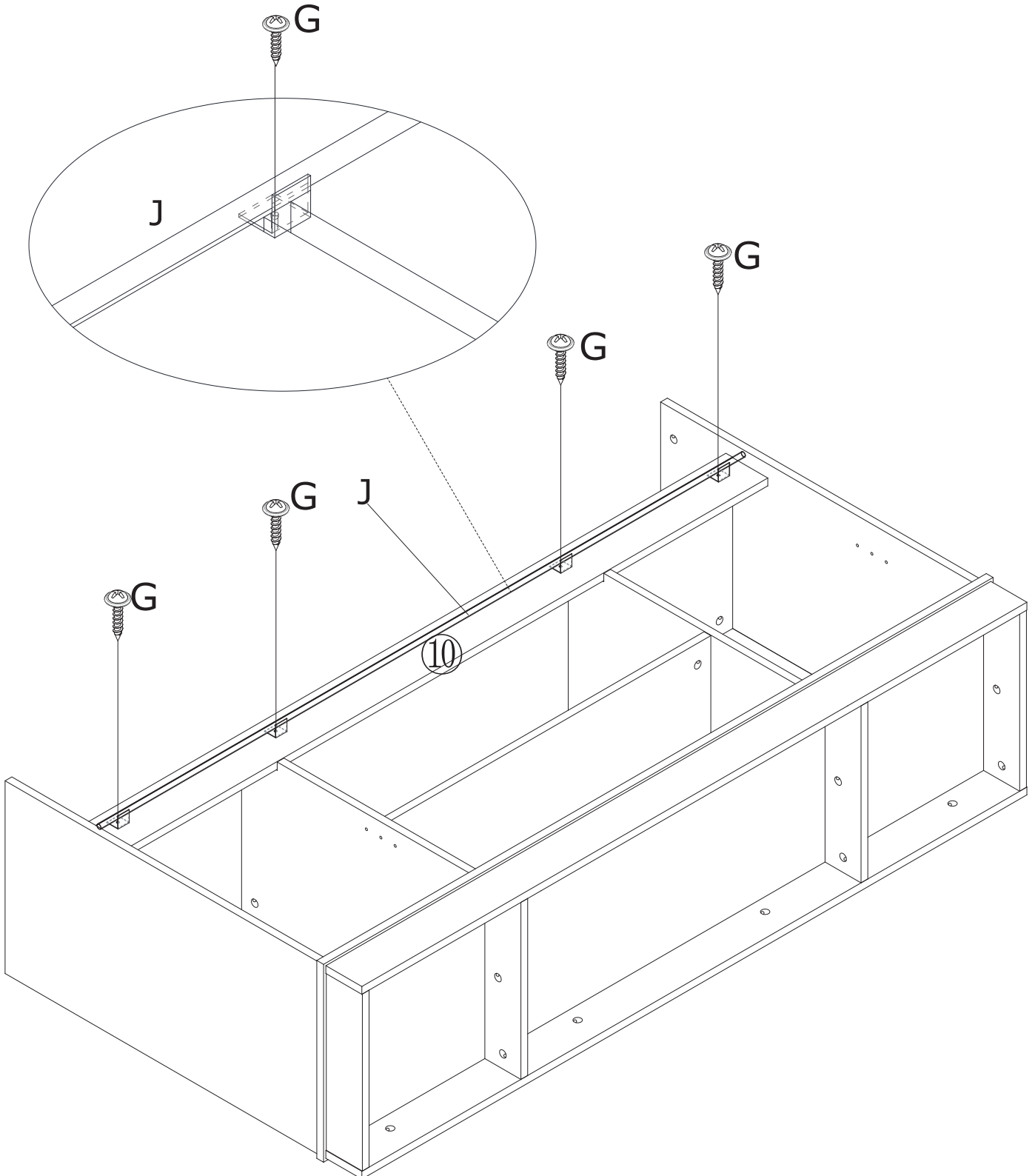
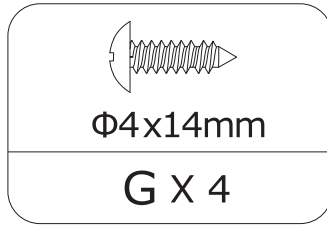
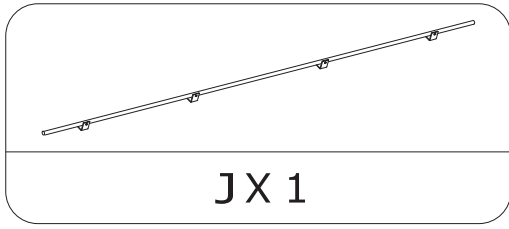
Schritt 12



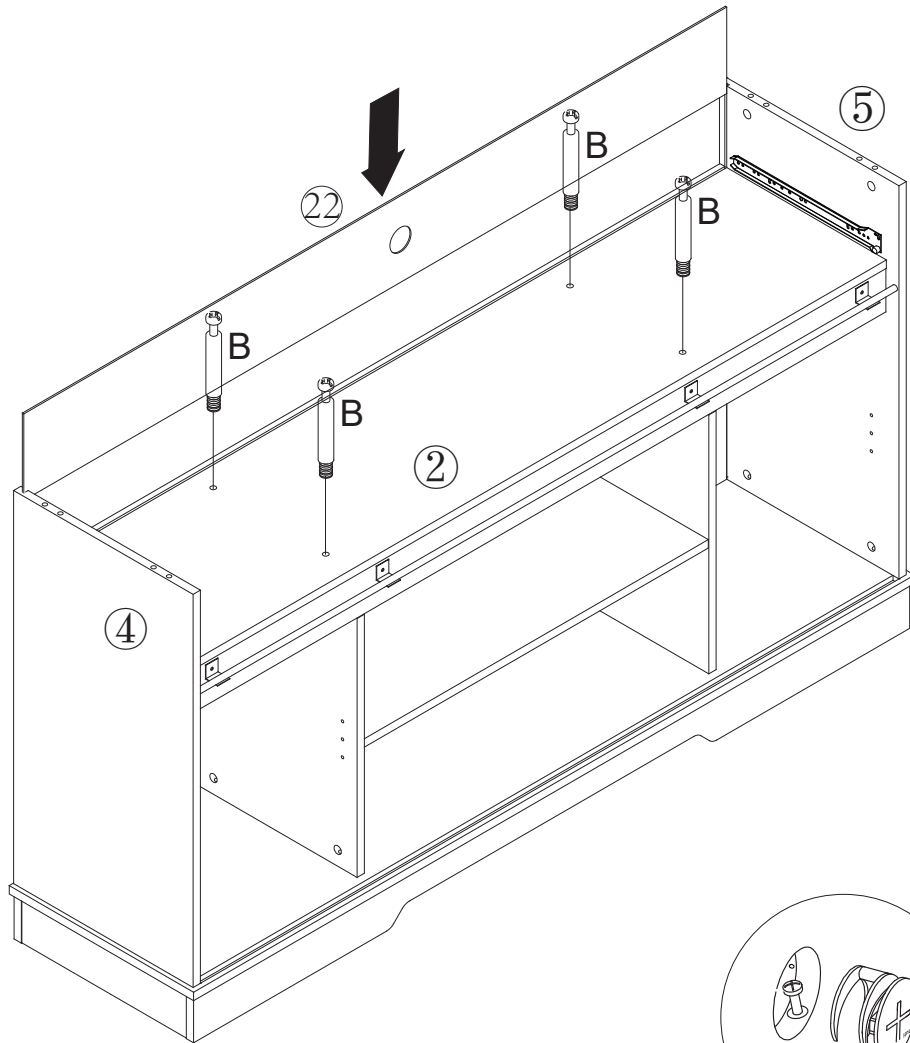
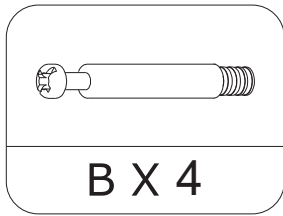
Schritt 13



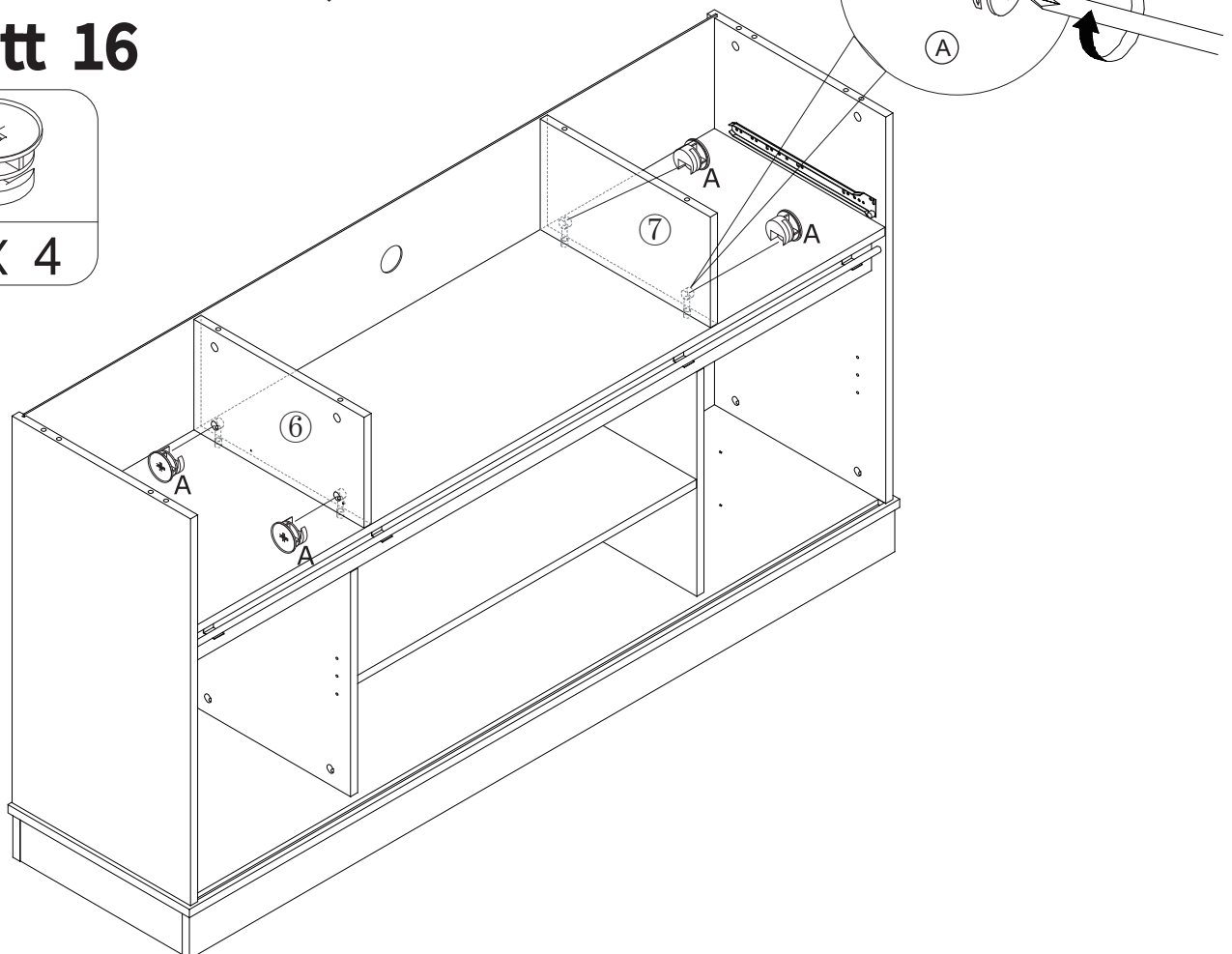
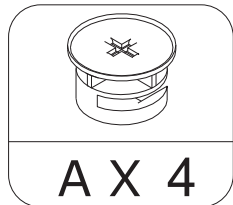
Schritt 14



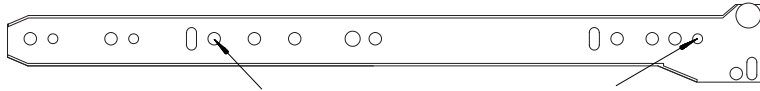
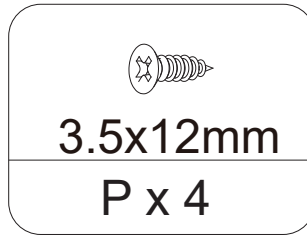
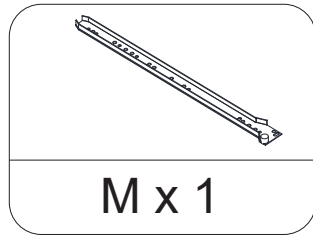
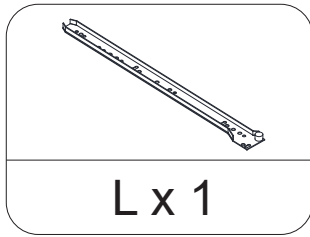
Schritt 15



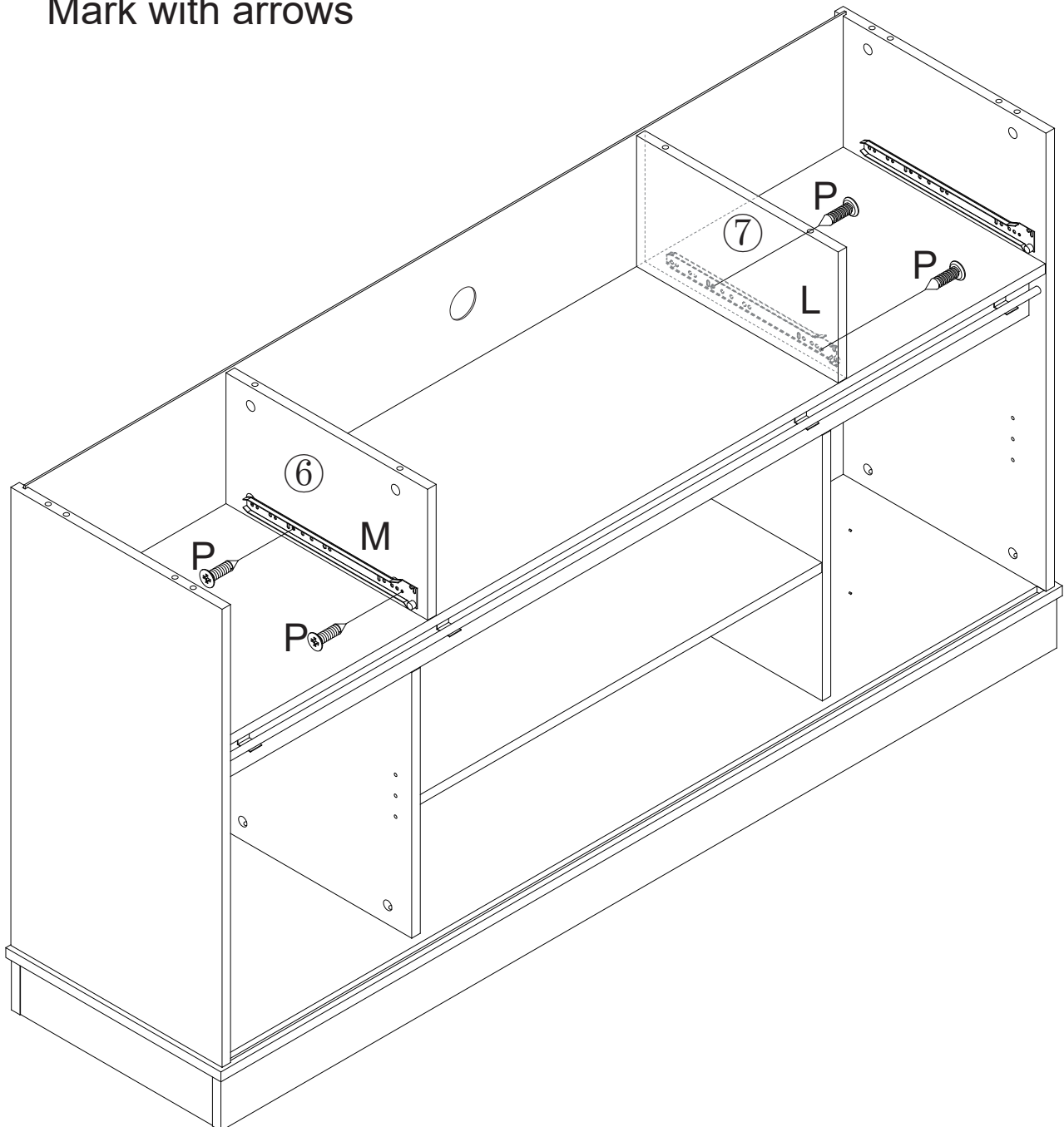
Schritt 16



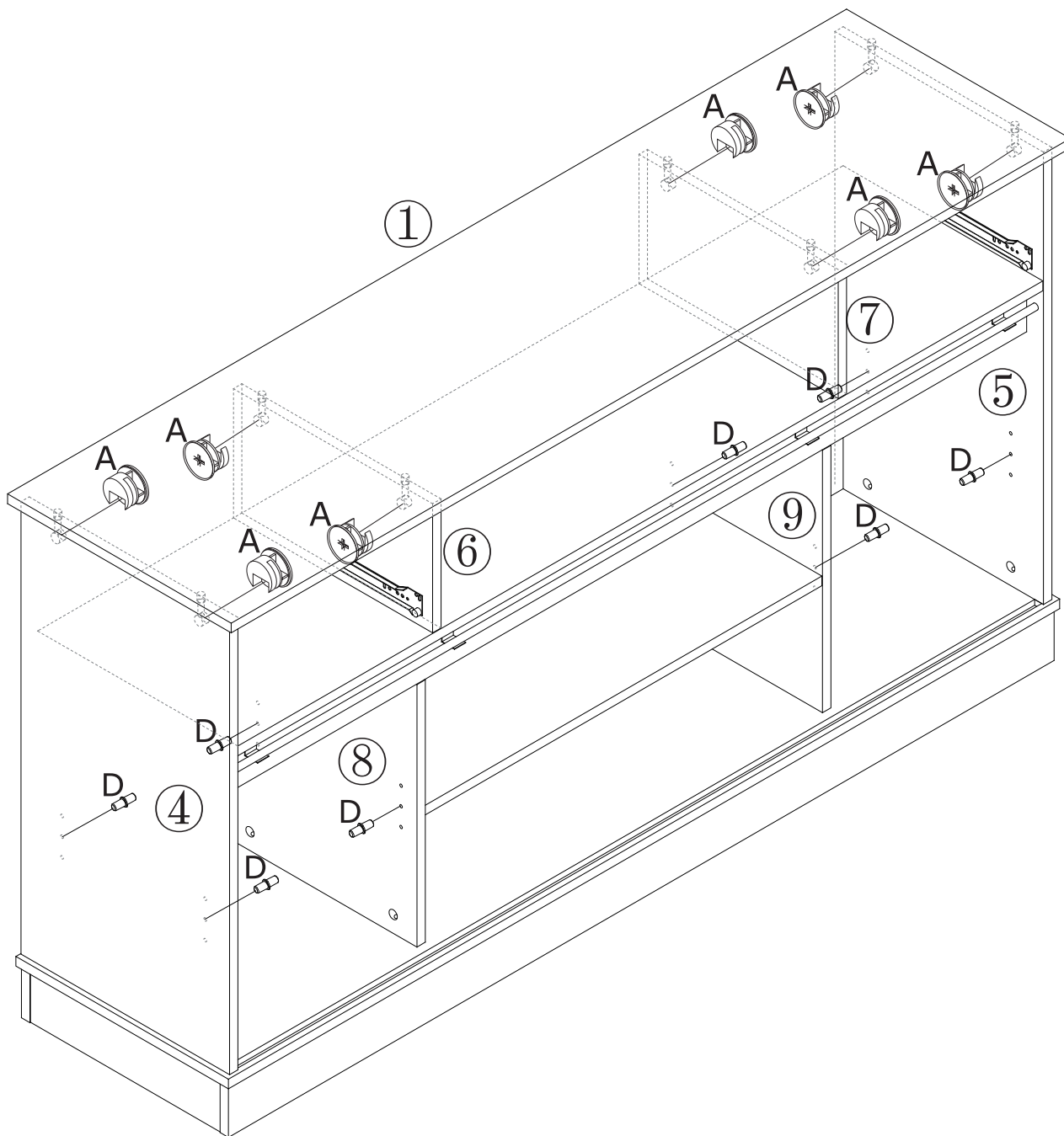
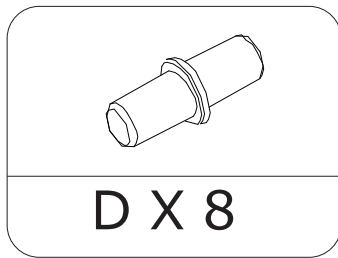
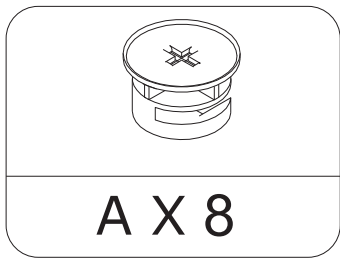
Schritt 17



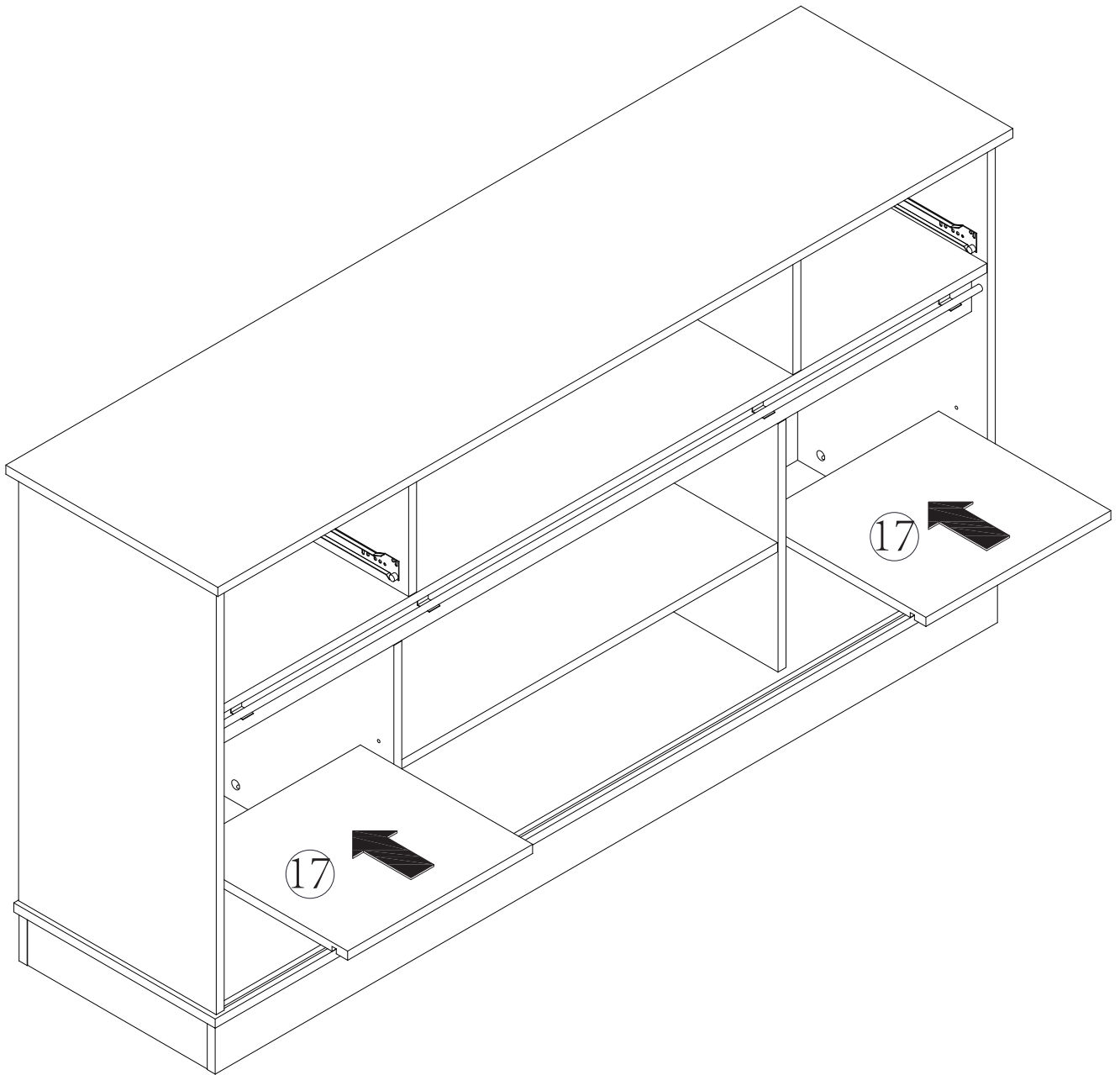
Assemble the screw into the hole
Mark with arrows



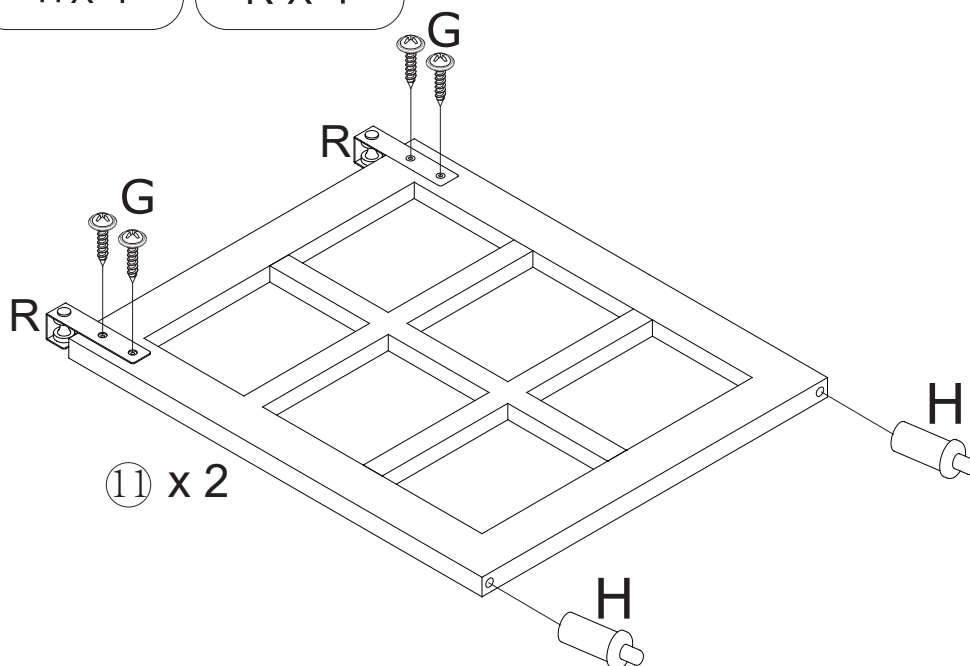
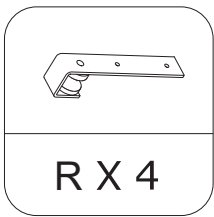
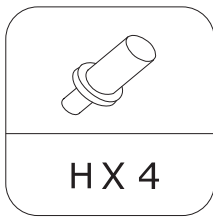
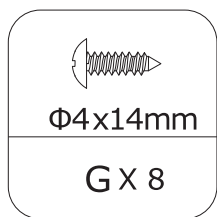
Schritt 18



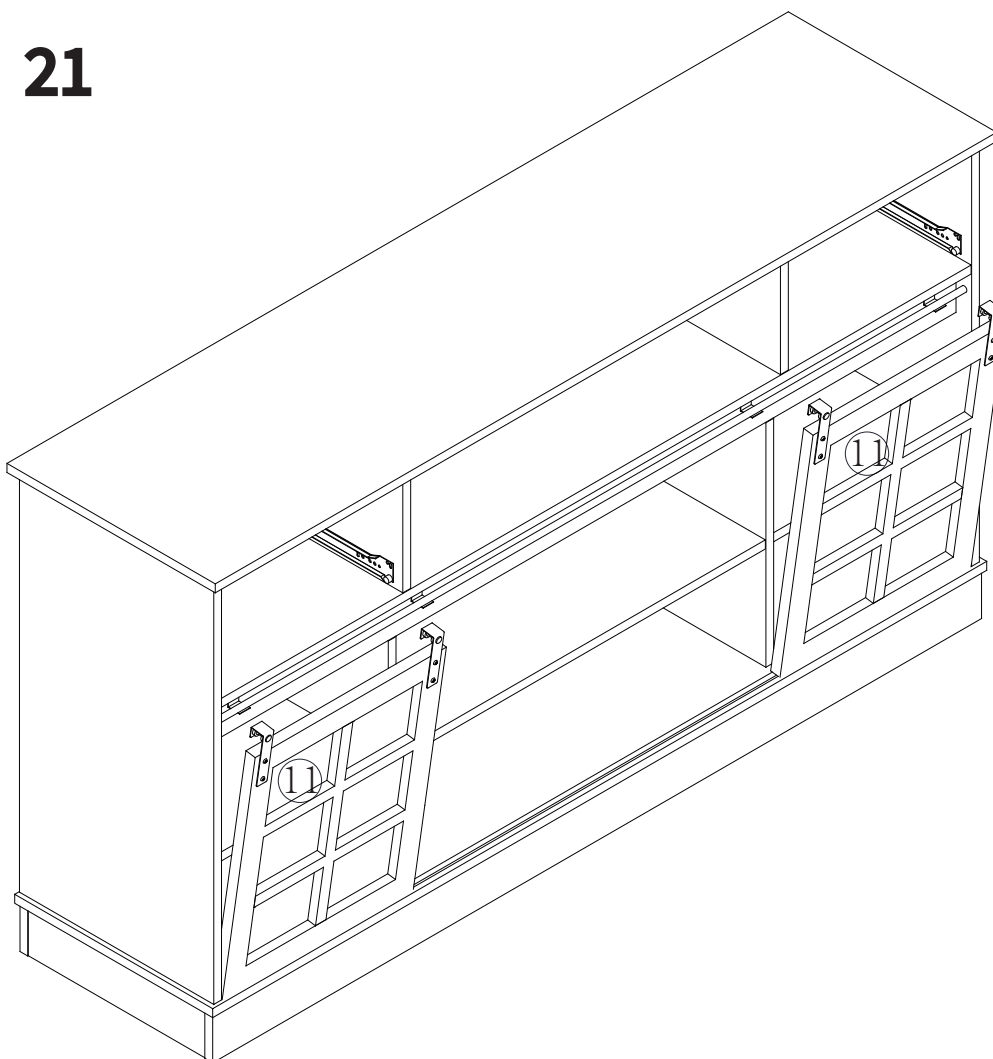
Schritt 19



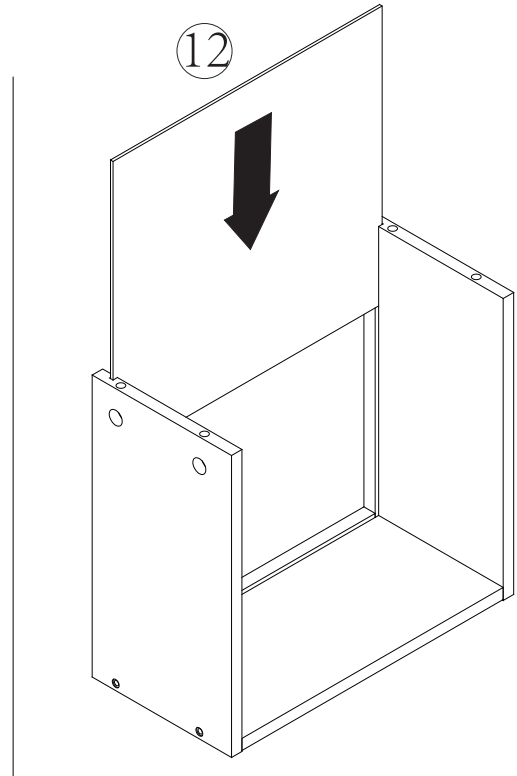
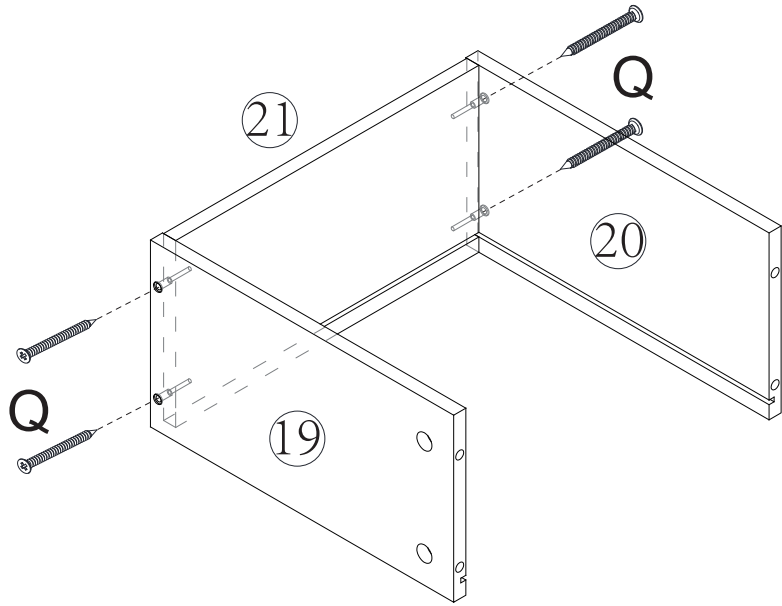
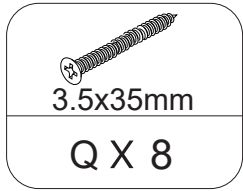
Schritt 20



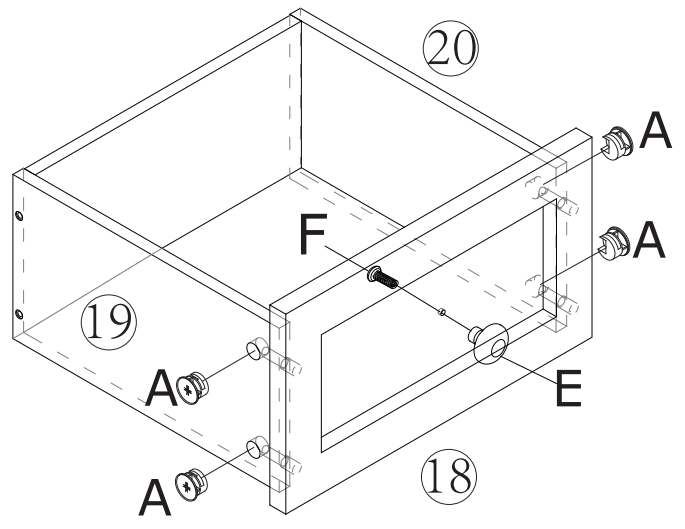
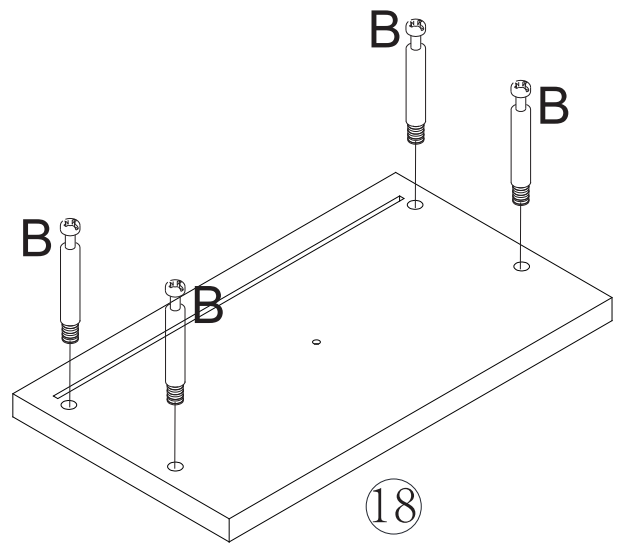
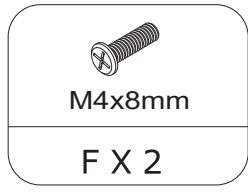
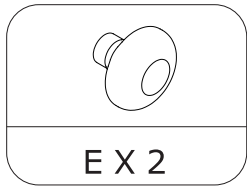
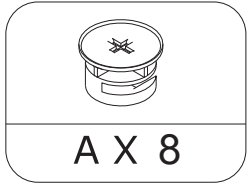
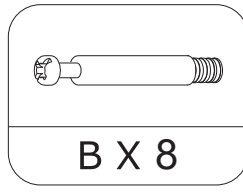
Schritt 21



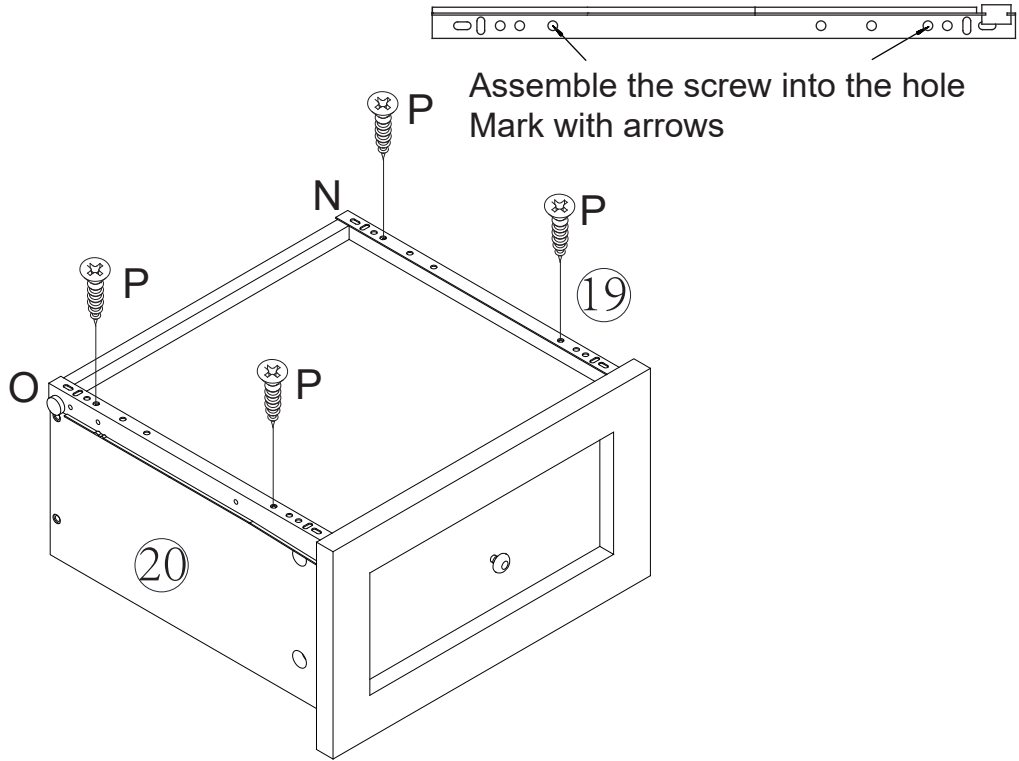
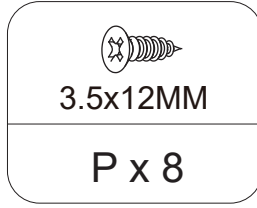
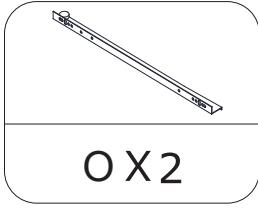
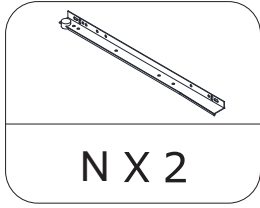
Schritt 22 x2



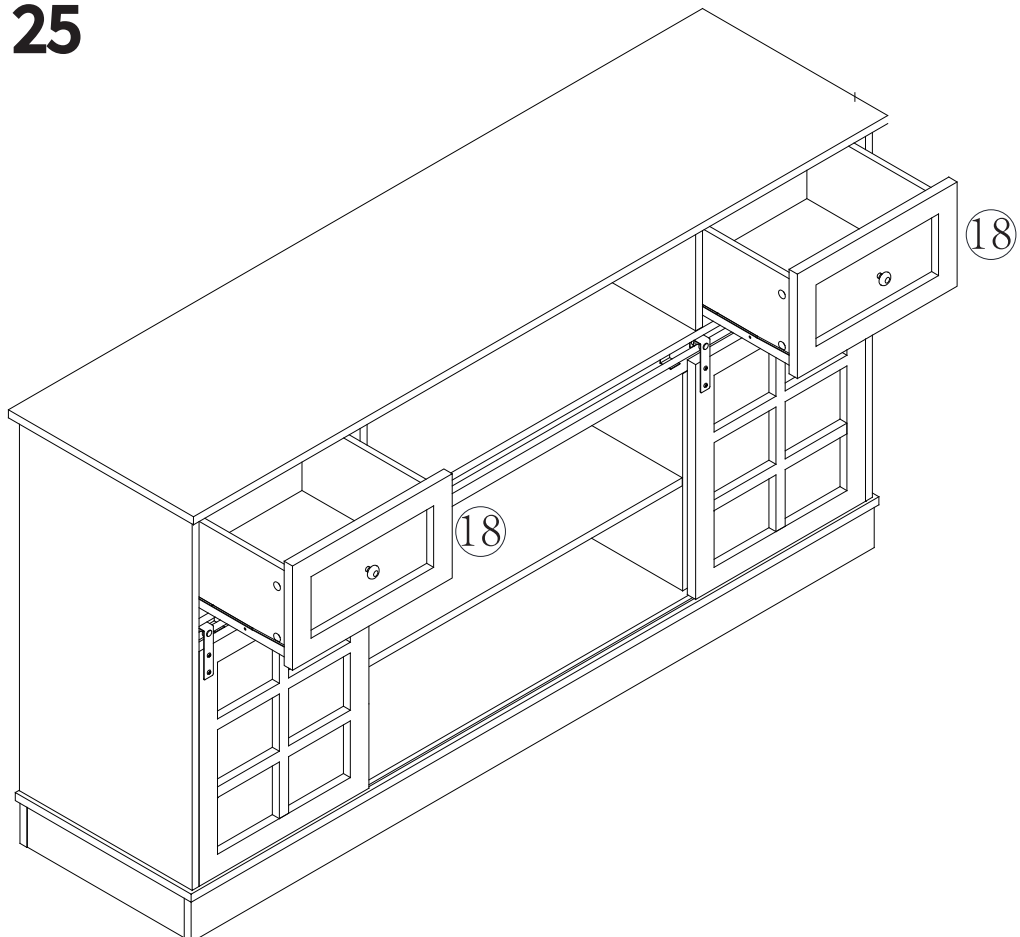
Schritt 23 x2



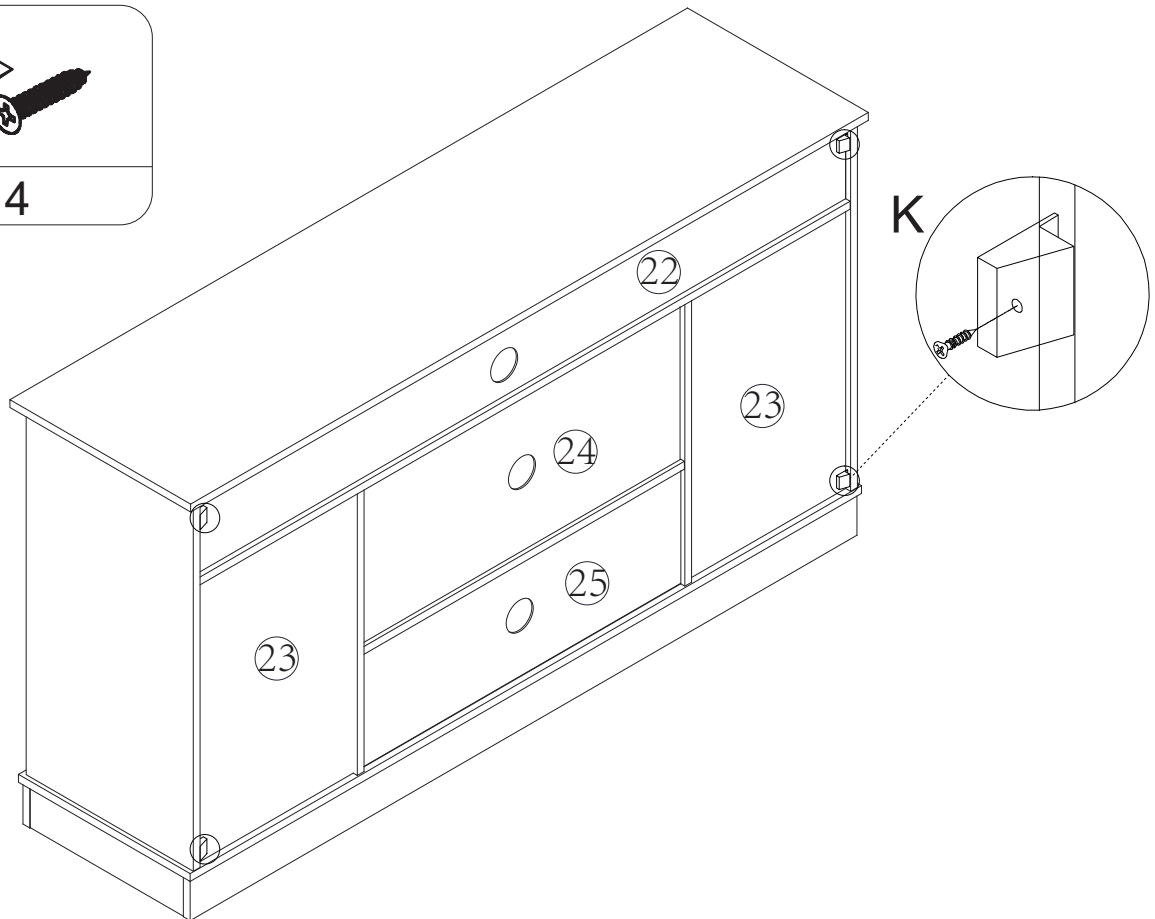
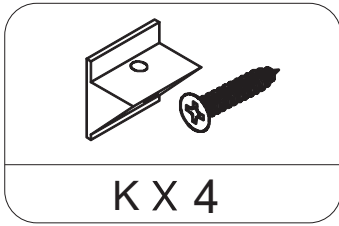
Schritt 24 x2



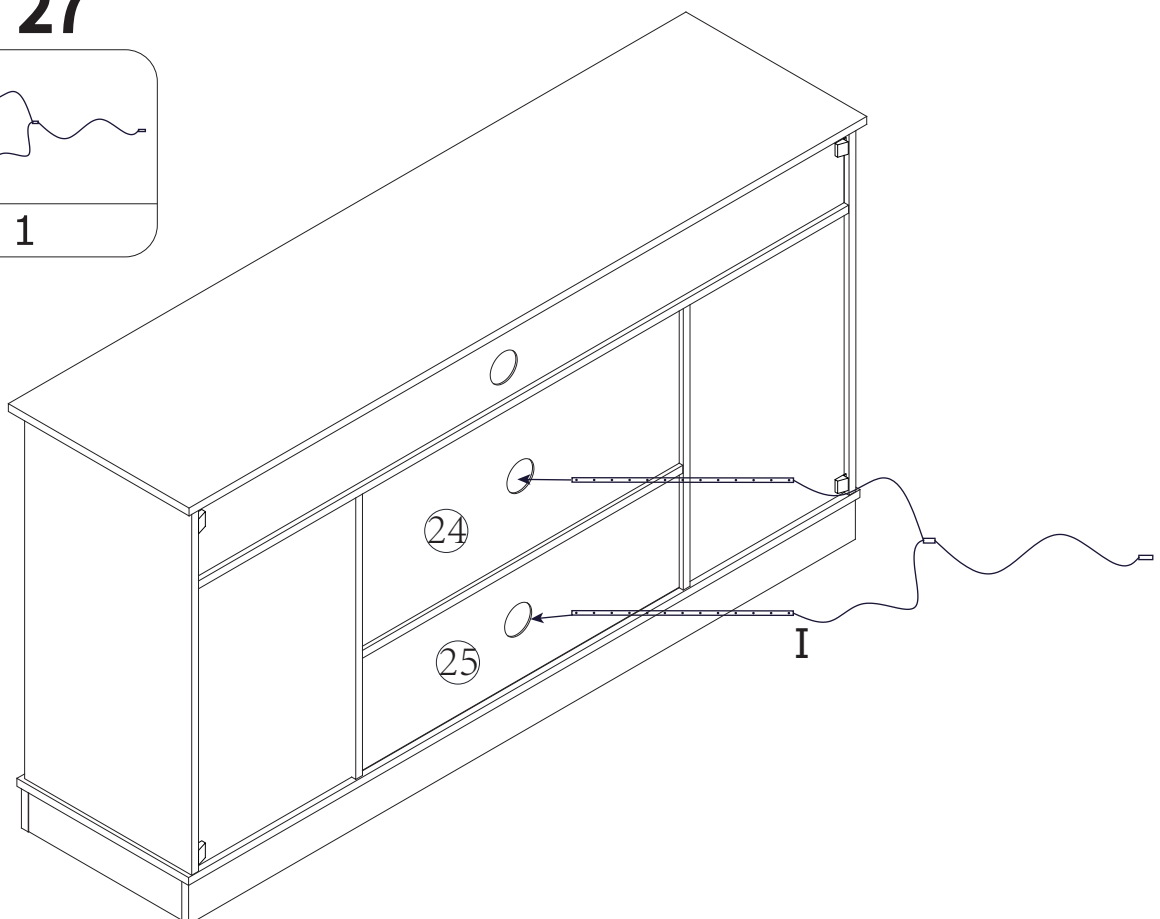
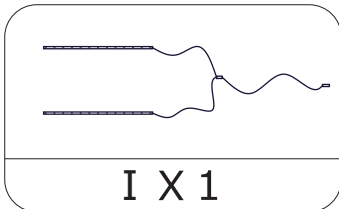
Schritt 25



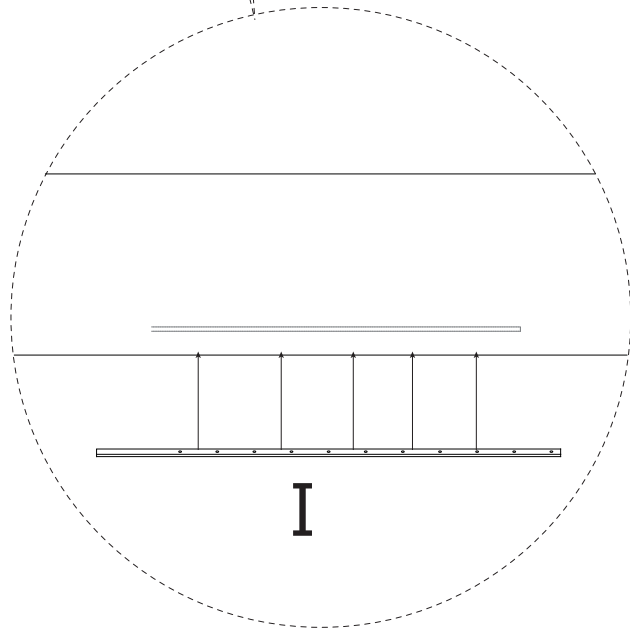
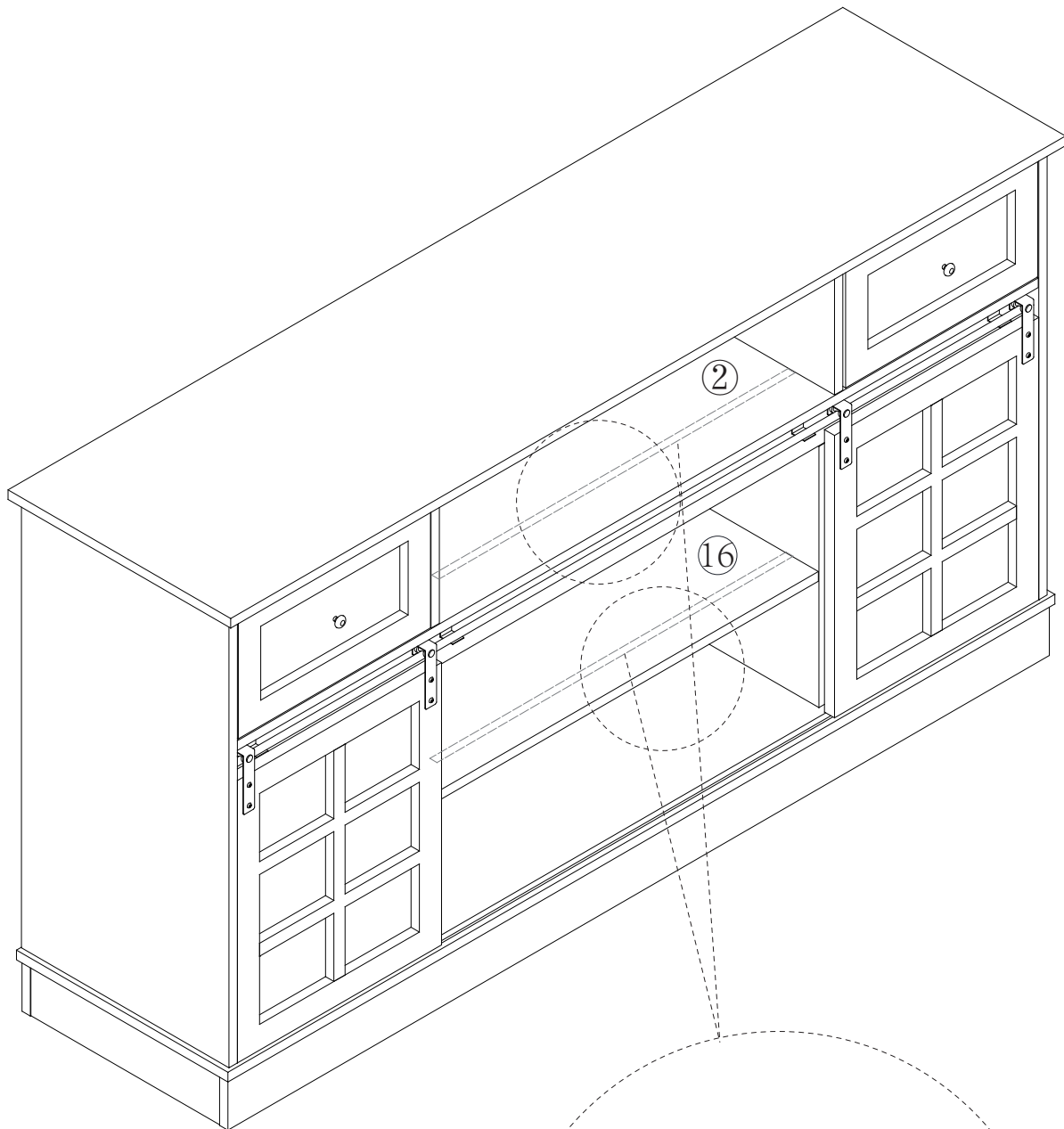
Schritt 26



Schritt 27



Schritt 28



FINISH

