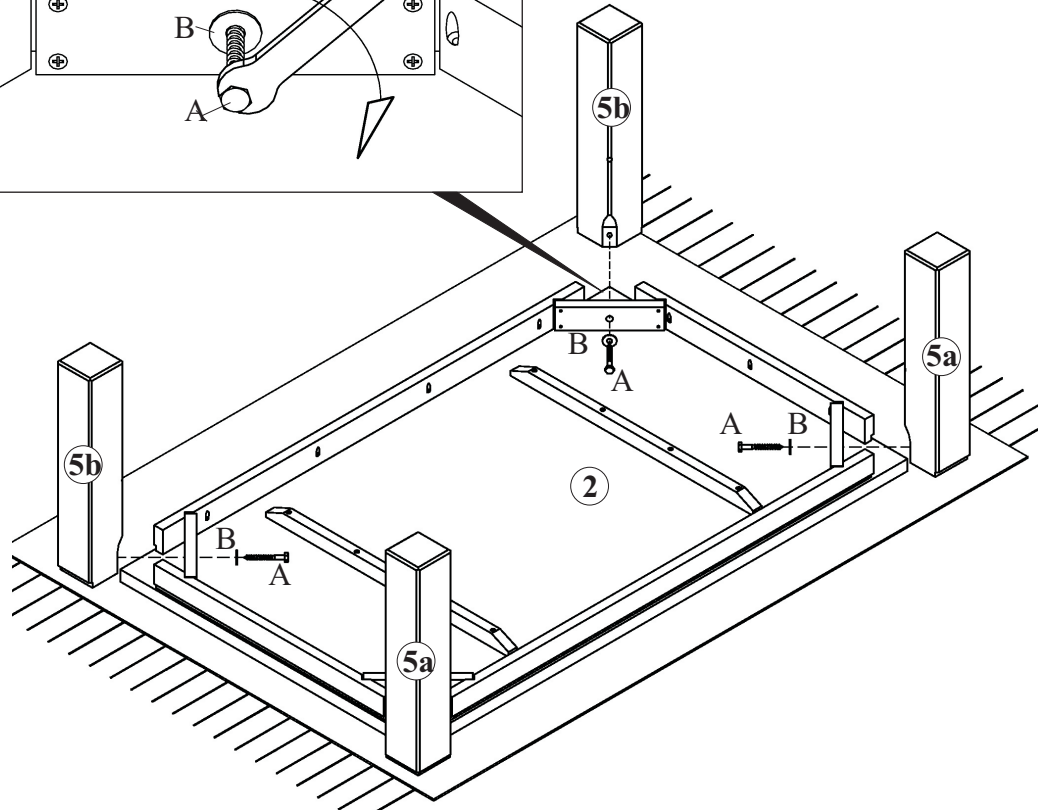
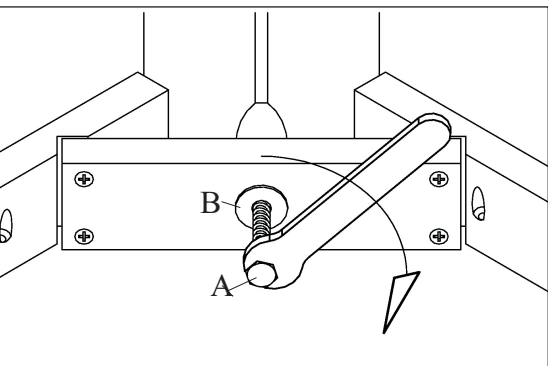


MONTAGE INFORMATION "GORDON" 58721

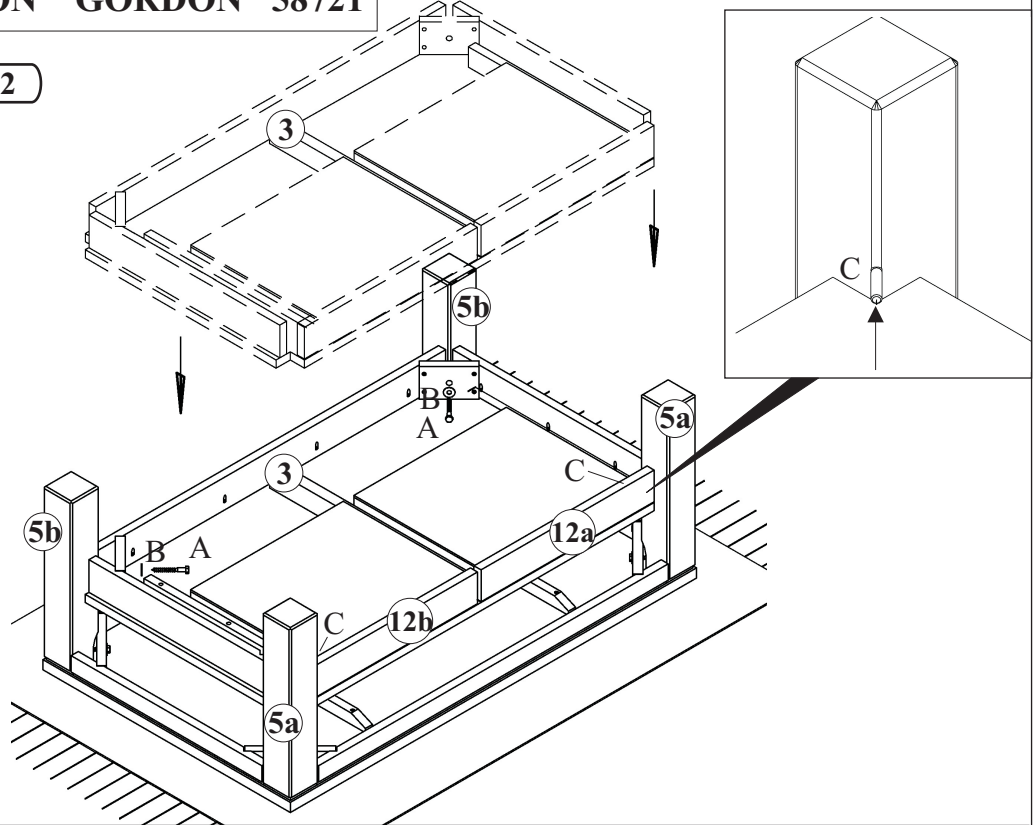
A		B		C	
$\Phi 8 \times 70$ mm	Kom. 6	M8	Kom. 6	$\Phi 8 \times 35$ mm	Kom. 2

1	425x80x80	4x
2	1150x700x75	1x
3	1070x620x100	1x

1



2



3

