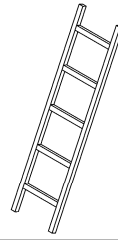
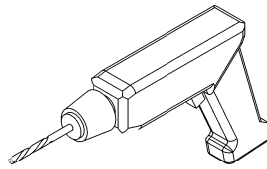
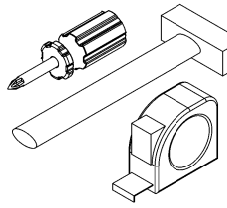
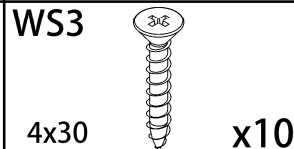
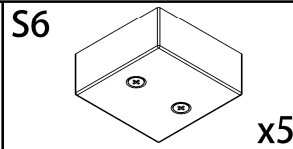
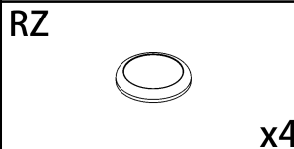
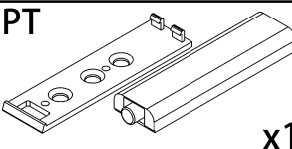
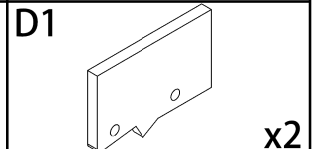
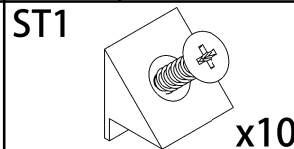
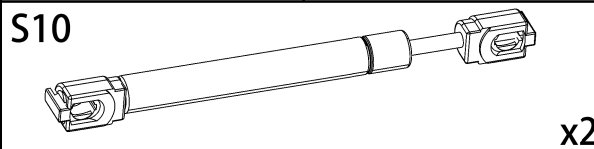
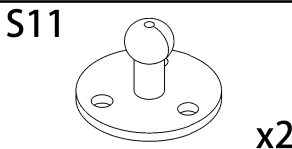
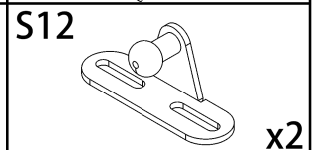
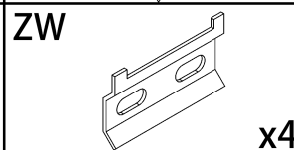
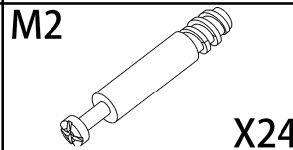
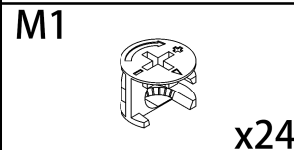
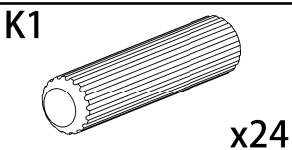
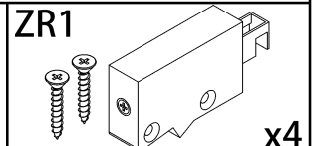
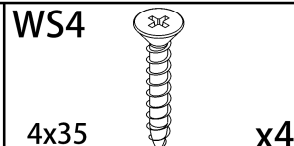
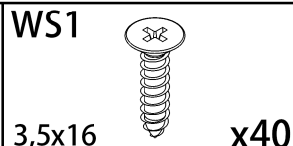
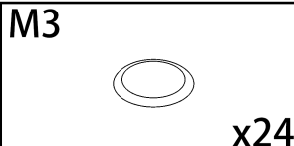
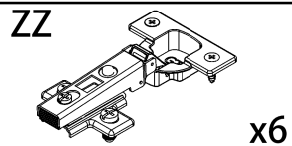
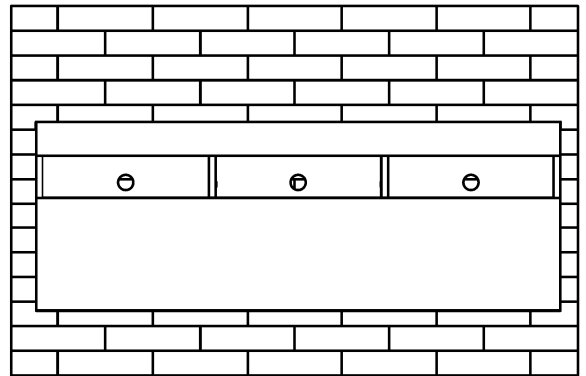
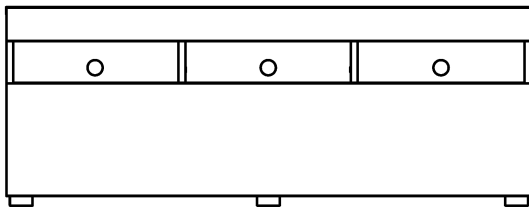
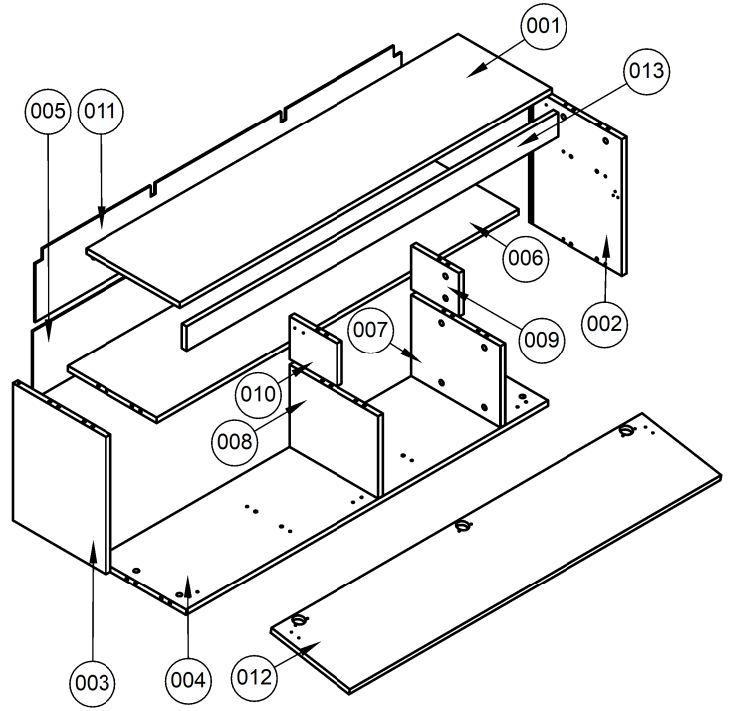


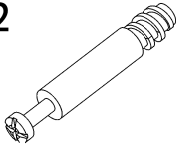
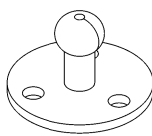
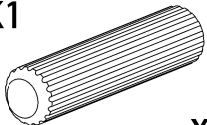


- 90 min.



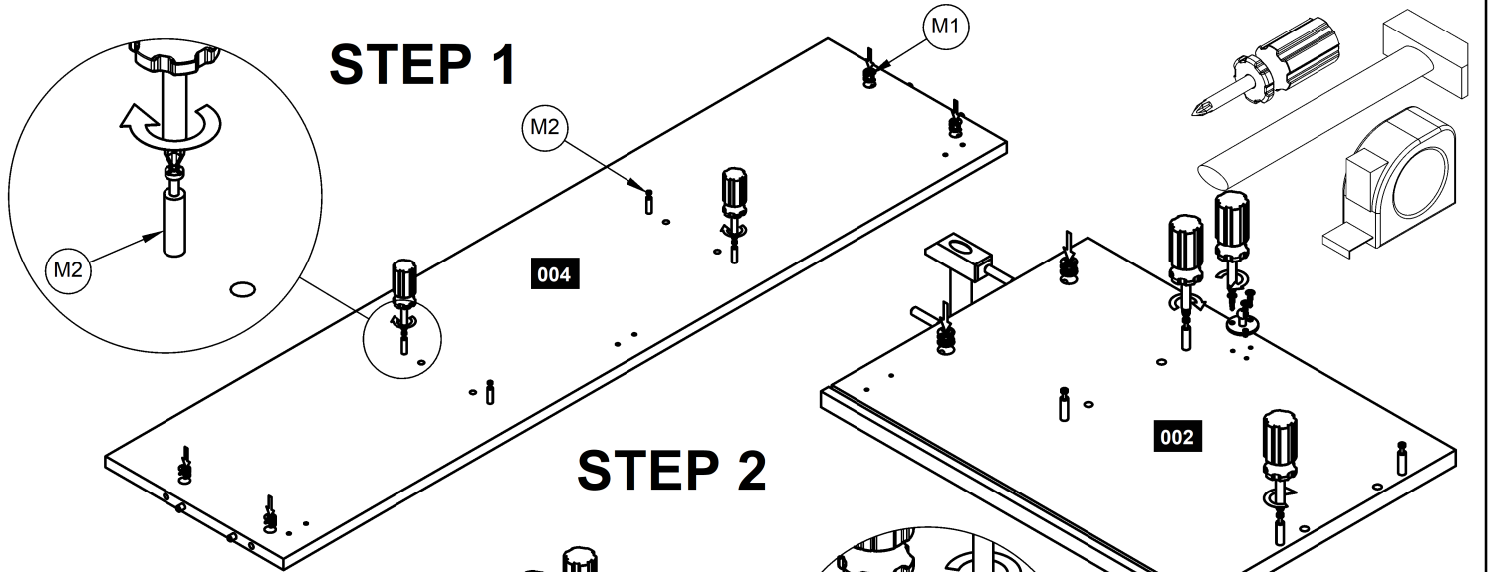
RTV140-502

Number	Qty	Size A	Size B
001	1	1390	350
002	1	442	349
003	1	442	349
004	1	1352	334
005	1	224	1370
006	1	1352	334
007	1	265	333
008	1	265	333
009	1	141	178
010	1	141	178
012	1	299	1388
011	1	224	1370
013	1	80	1388

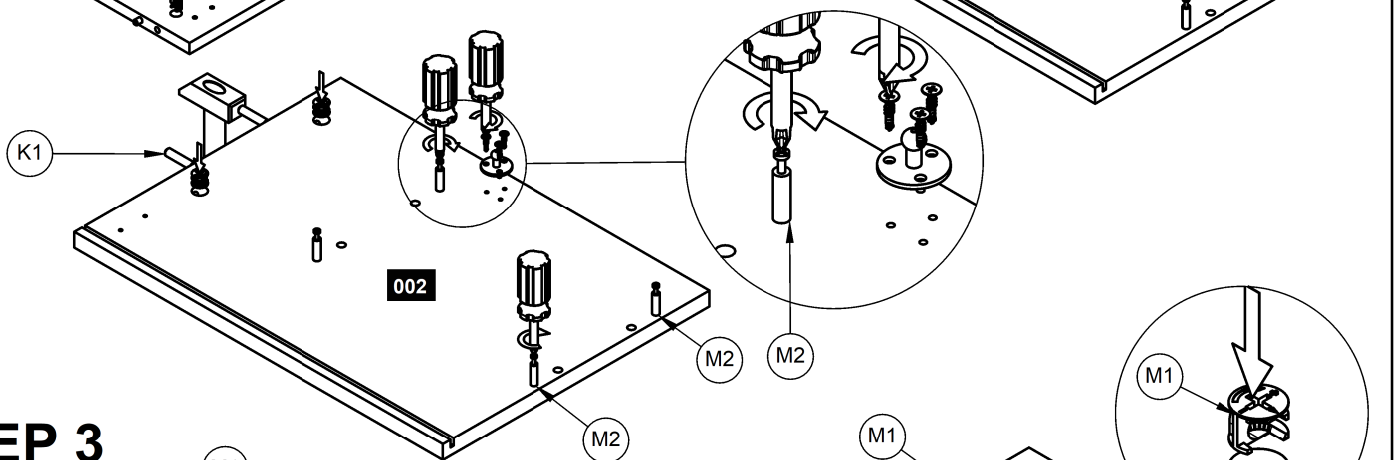


M2  X24	S11  x2	K1  x24	WS1  3,5x16 x40	M1  x24
--	---	---	---	---

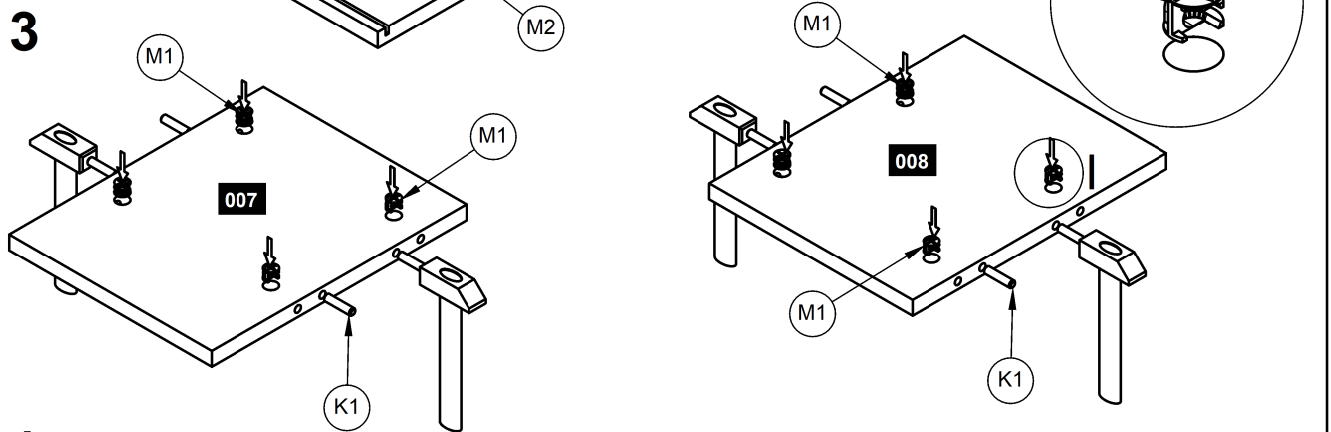
STEP 1



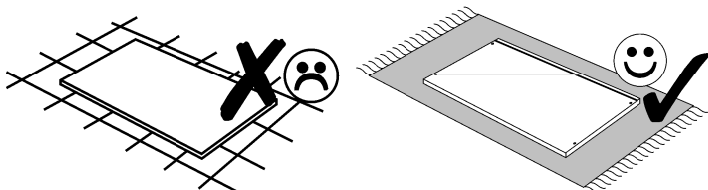
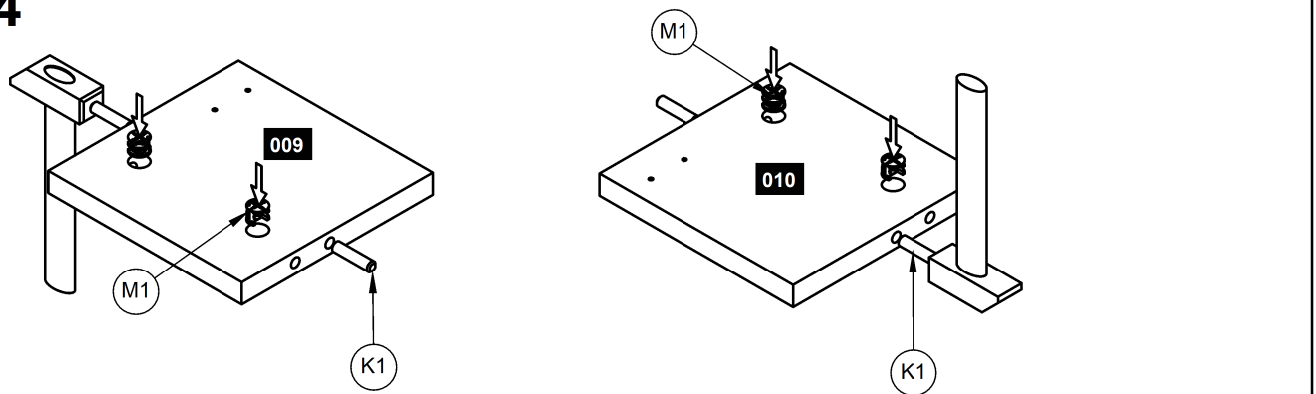
STEP 2

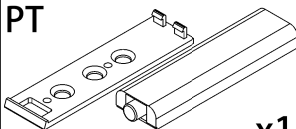
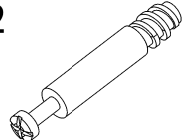
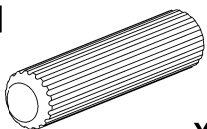
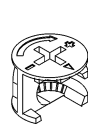
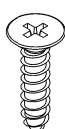


STEP 3

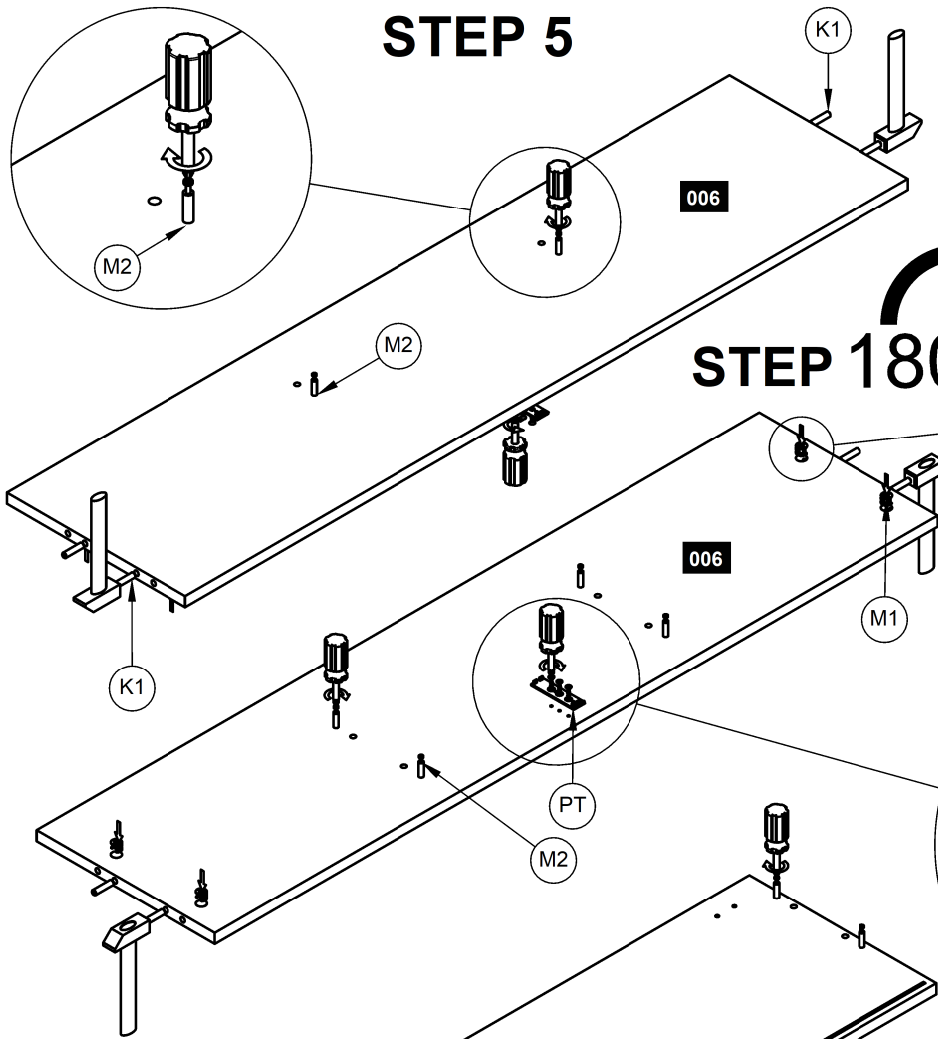


STEP 4



PT	M2	K1	M1	WS1
				
x1	x24	x24	x24	3,5x16 x40

STEP 5

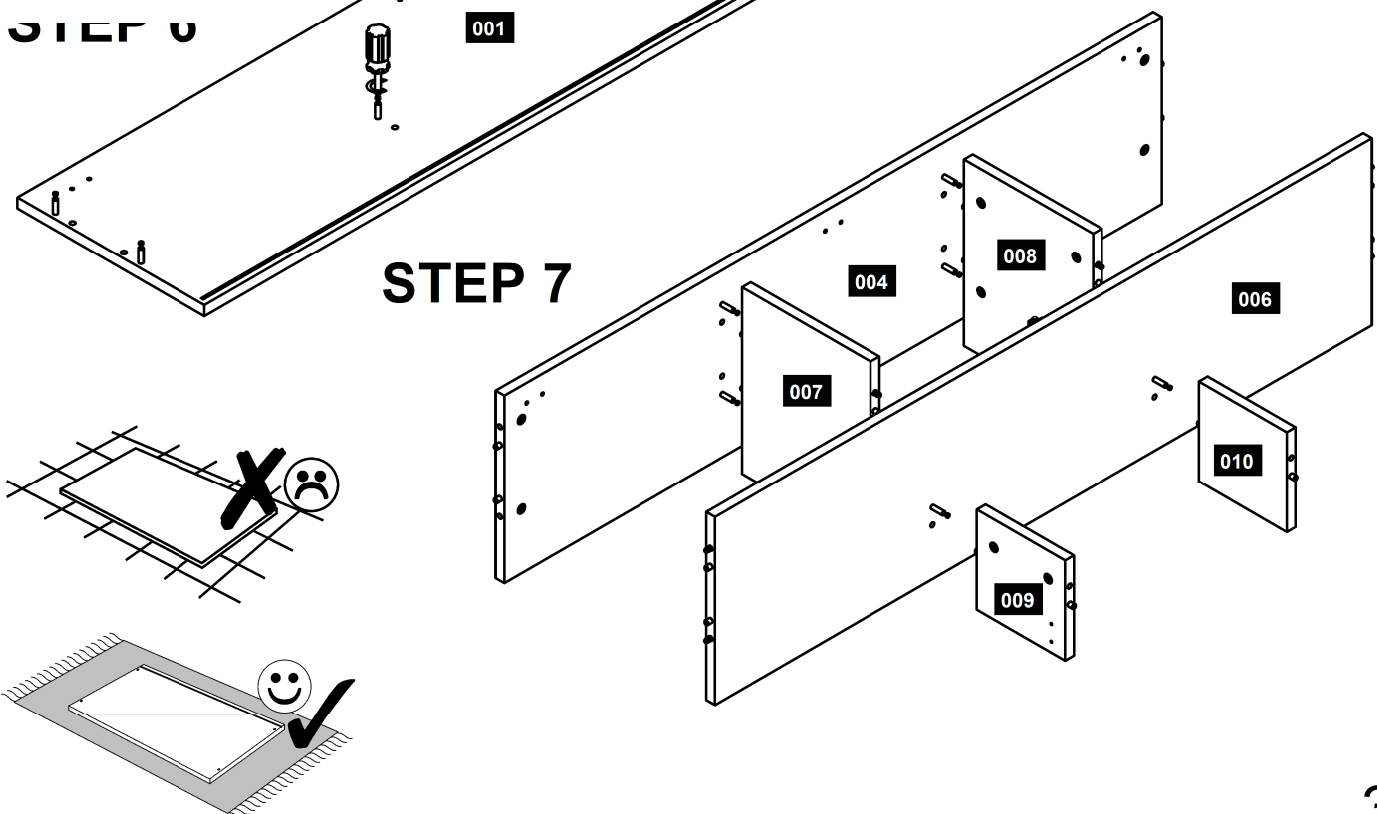


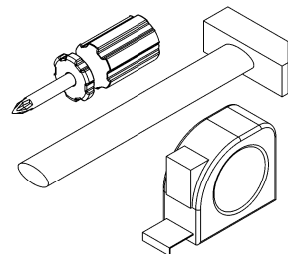
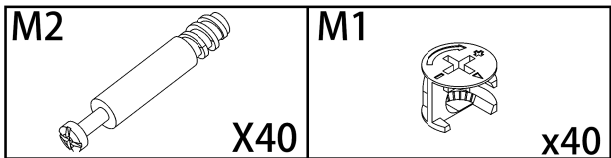
STEP 180°

STEP 6

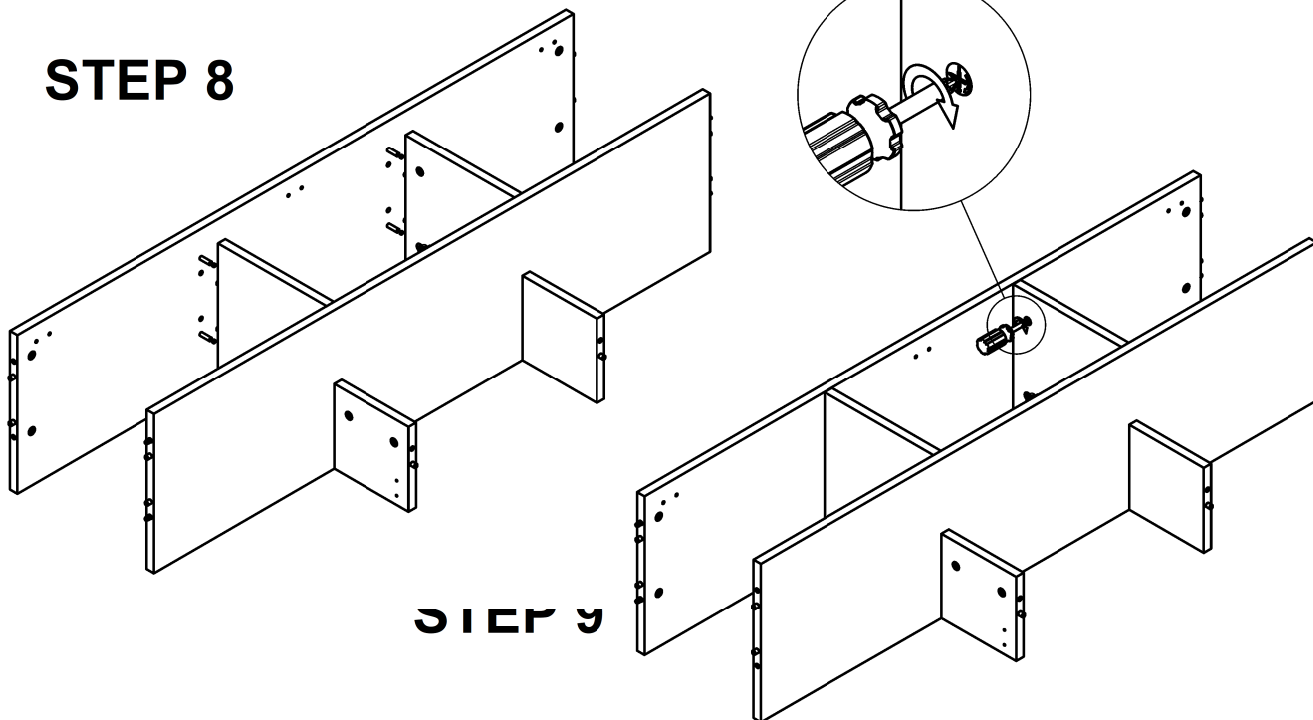
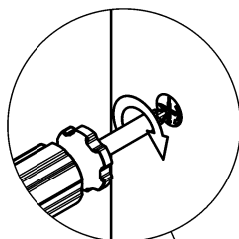
001

STEP 7



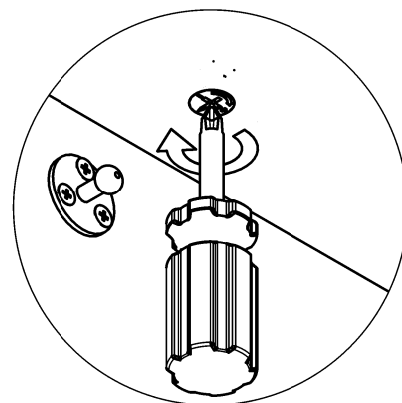
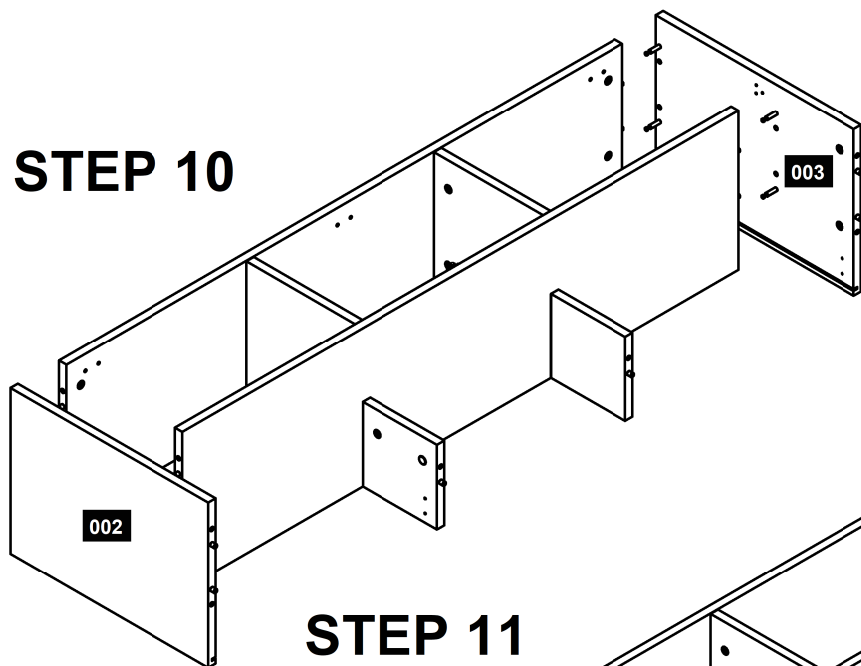


STEP 8

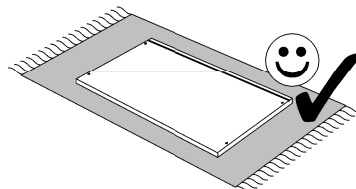
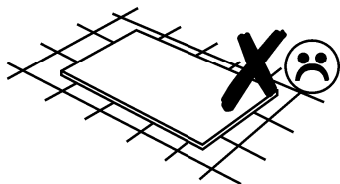
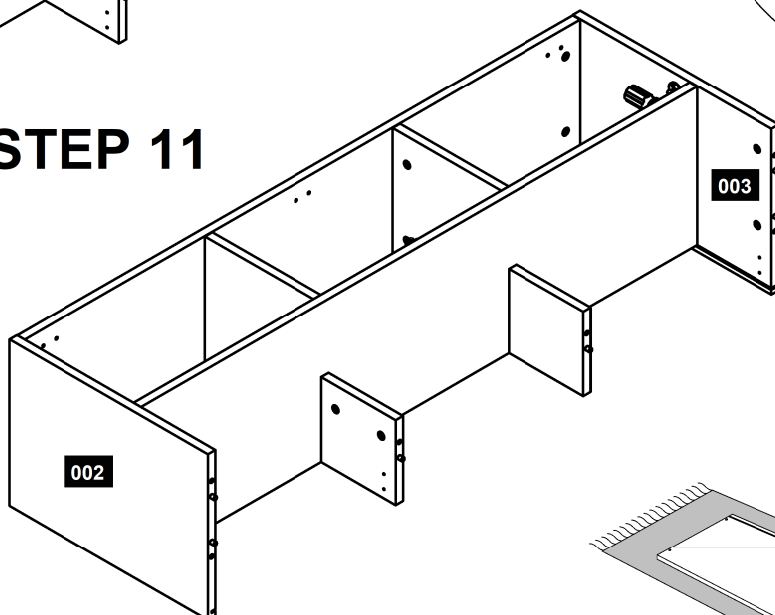


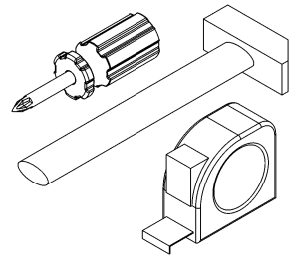
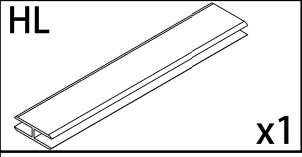
STEP 9

STEP 10

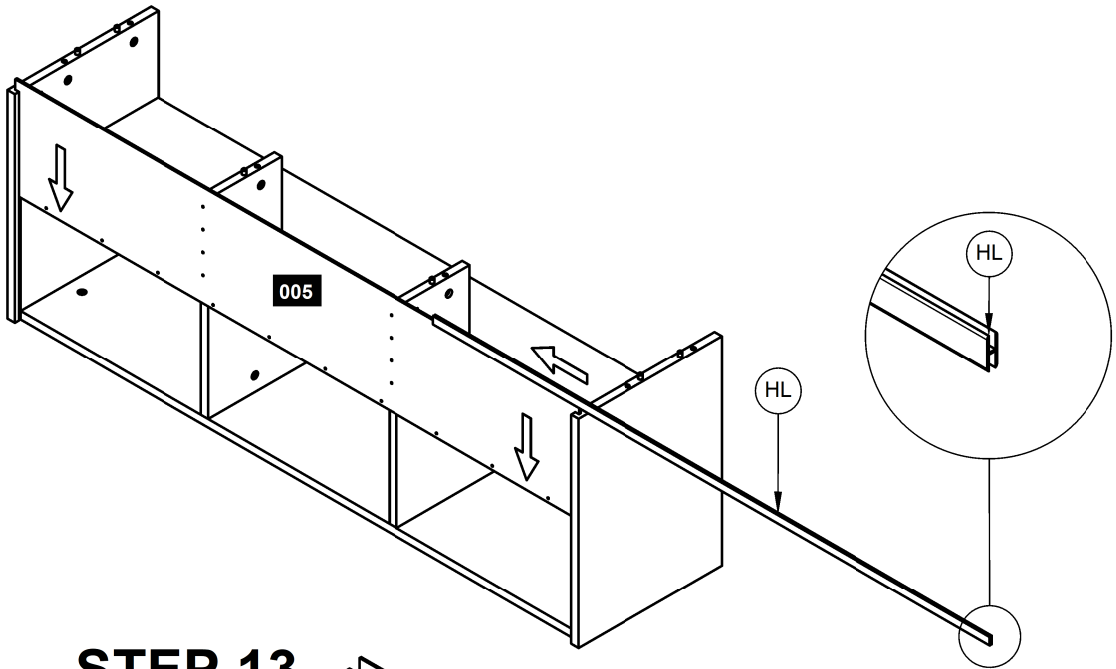


STEP 11

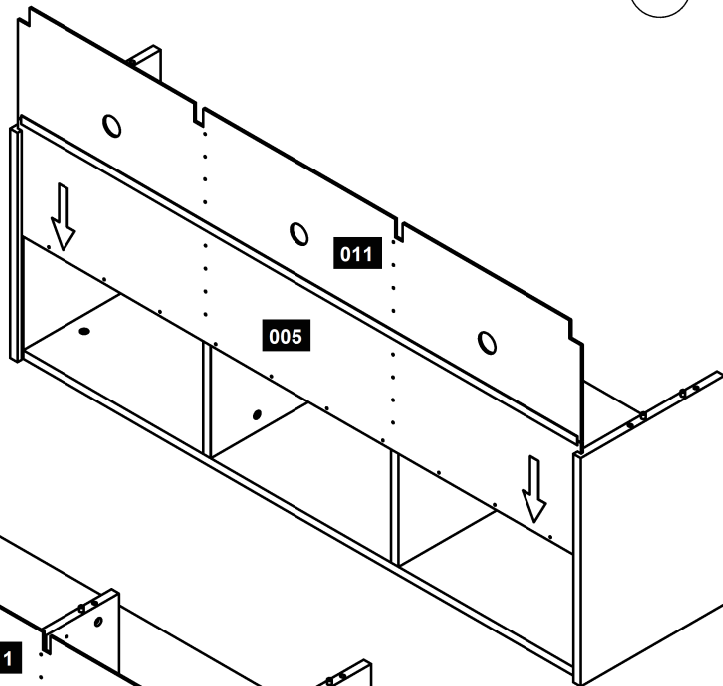




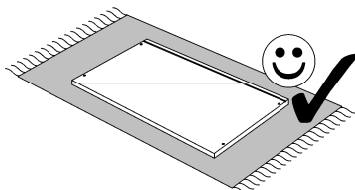
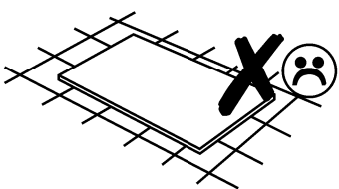
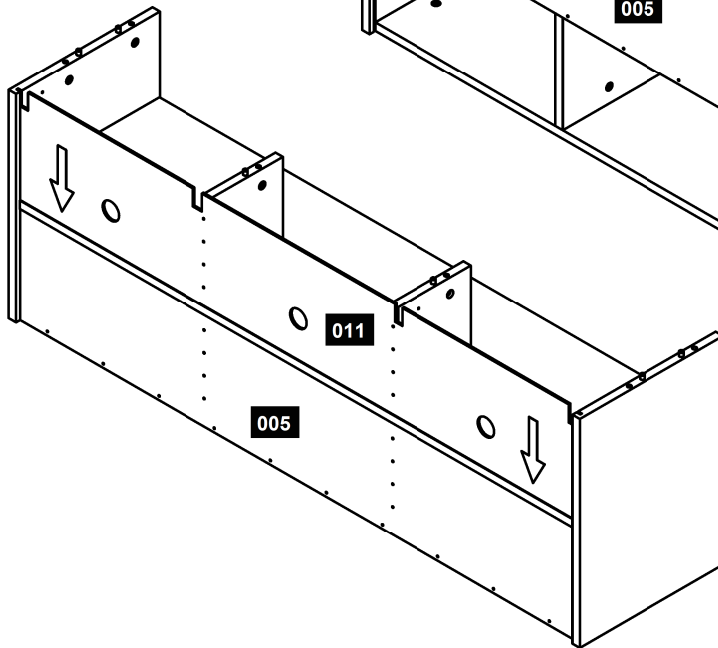
STEP 12

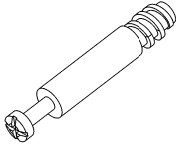
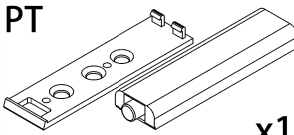
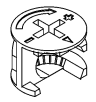
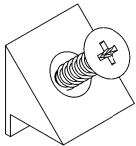



STEP 13

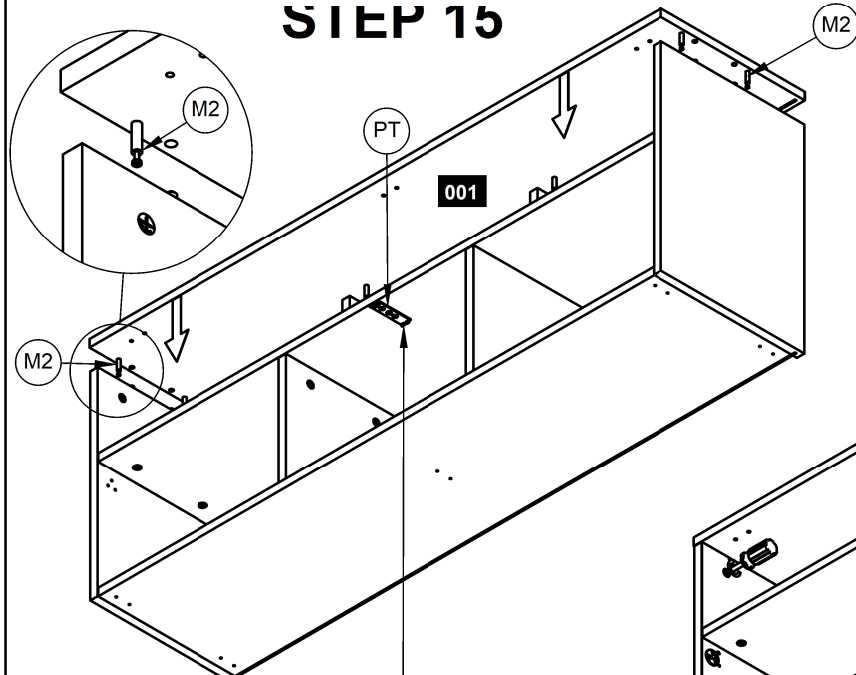


STEP 14

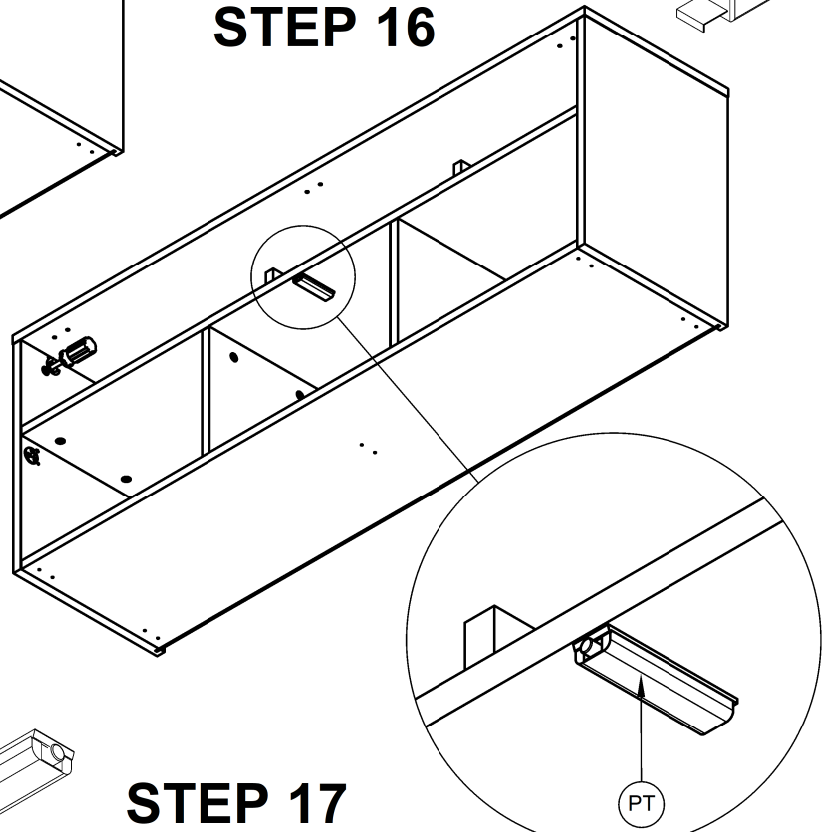


M2  x24	PT  x1	M1  x24	ST1  x16	WS1  3,5x16 x40
---	---	--	---	--

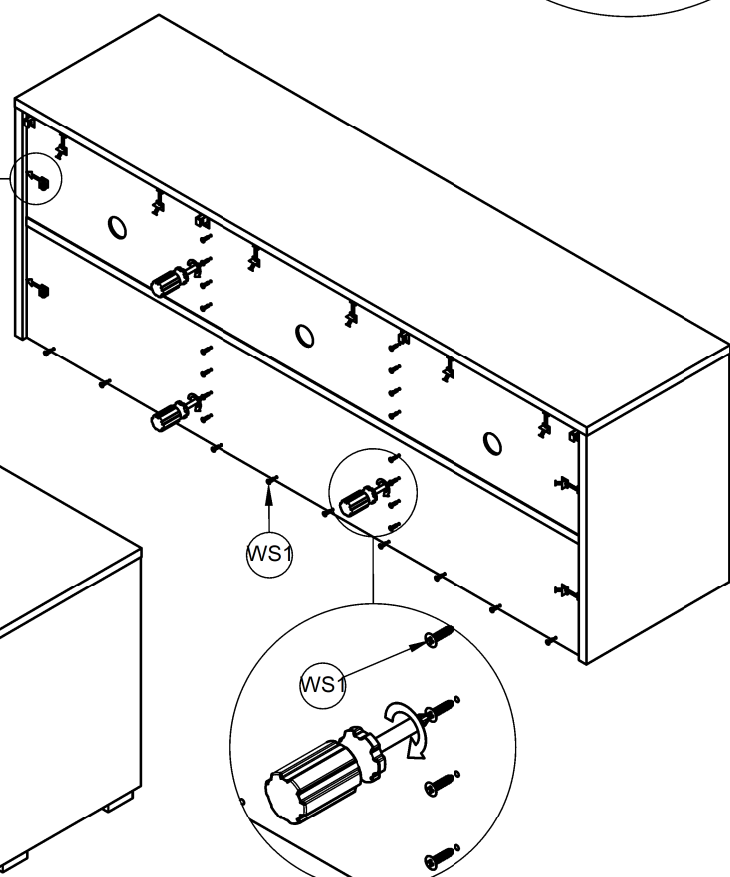
STEP 15



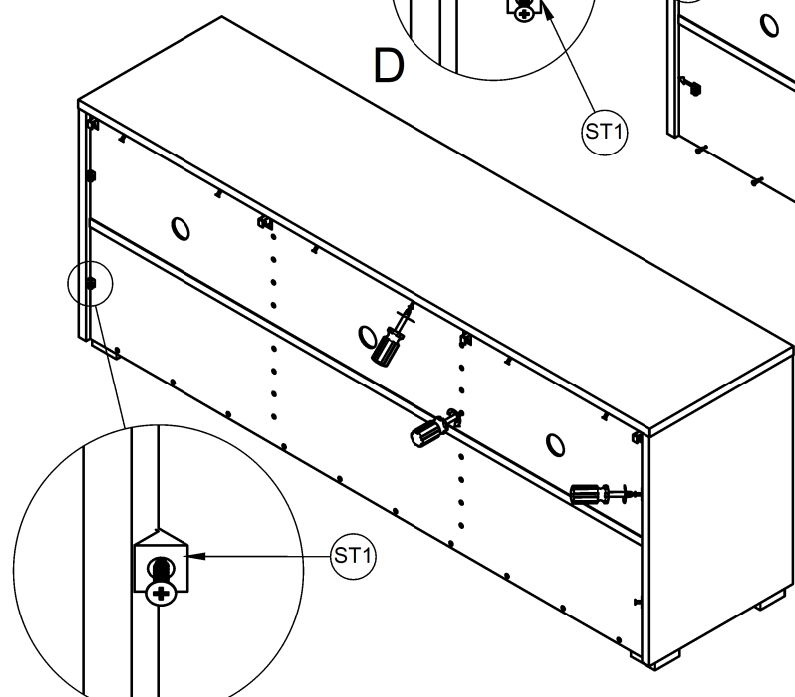
STEP 16



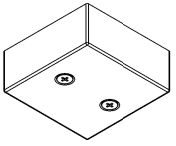
STEP 17



STEP 18

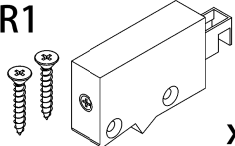


S6



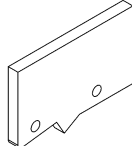
x5

ZR1



x4

D1



x2

WS4

4x35



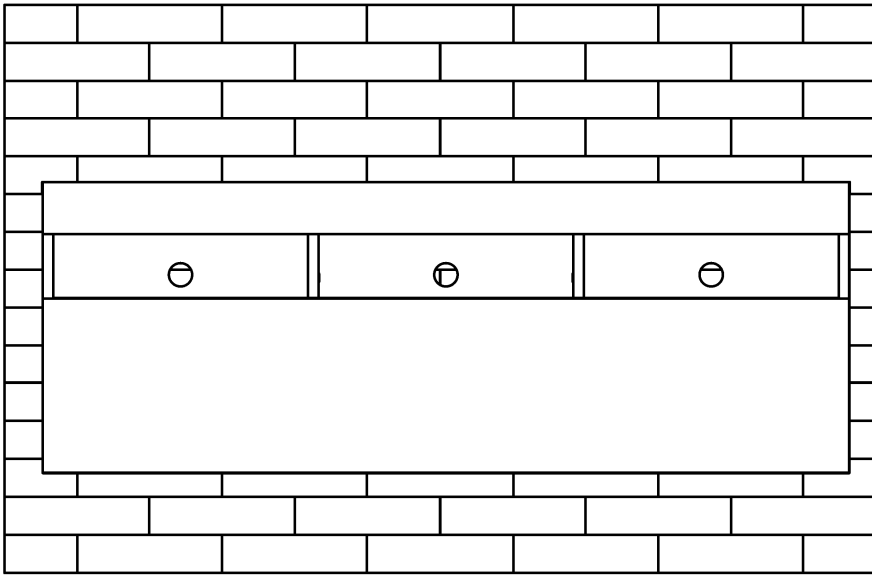
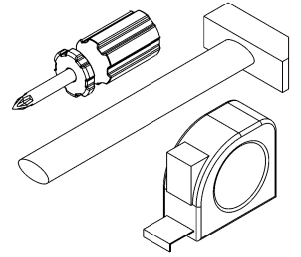
x4

WS3

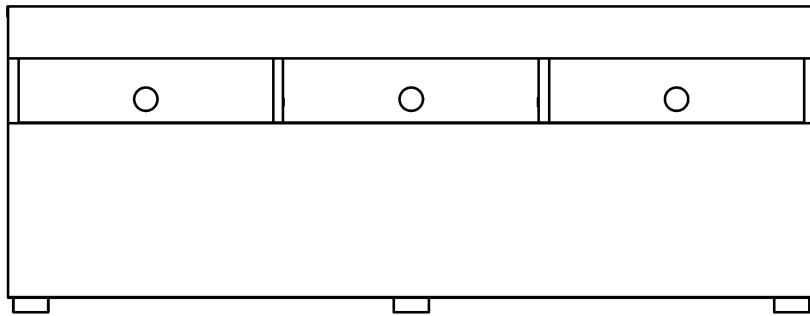
4x30



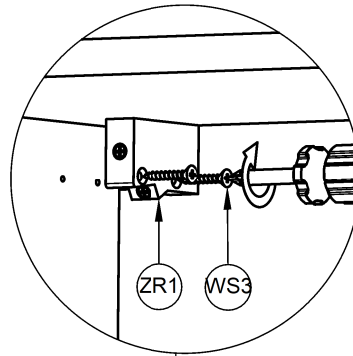
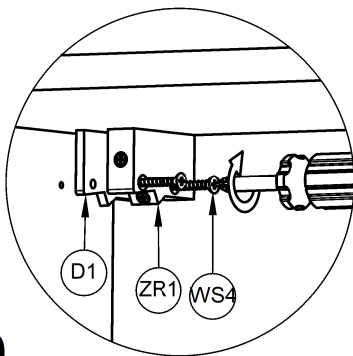
x10



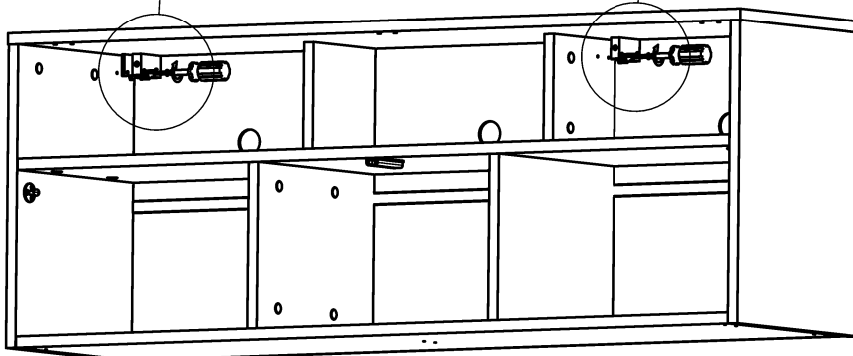
➔ **STEP 19**



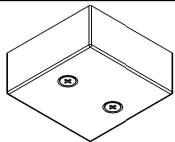
➔ **STEP 26**



STEP 19

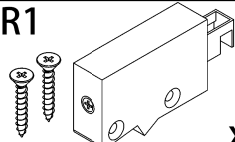


S6



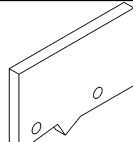
x5

ZR1



x4

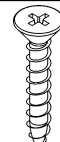
D1



x2

WS4

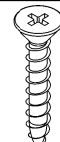
4x35



x4

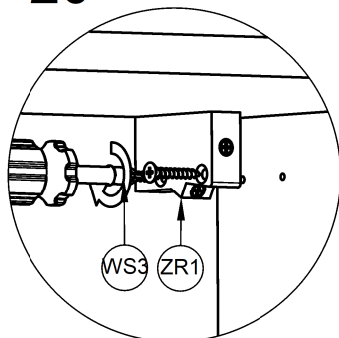
WS3

4x30



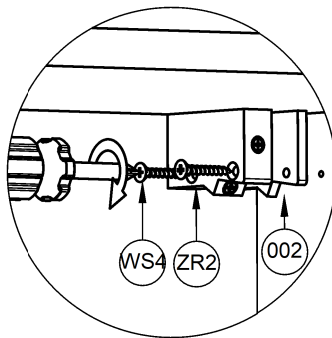
x10

STEP 20



WS3

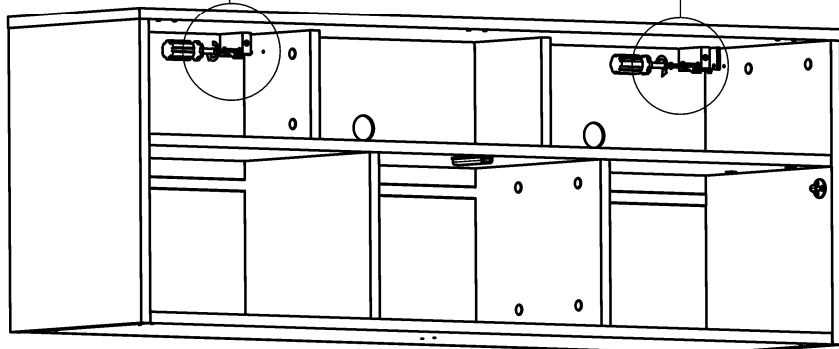
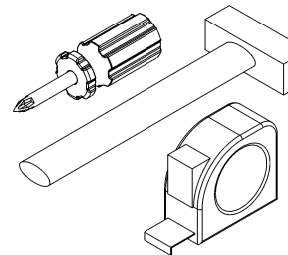
ZR1



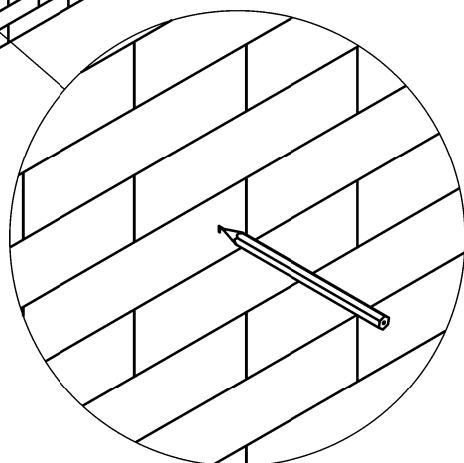
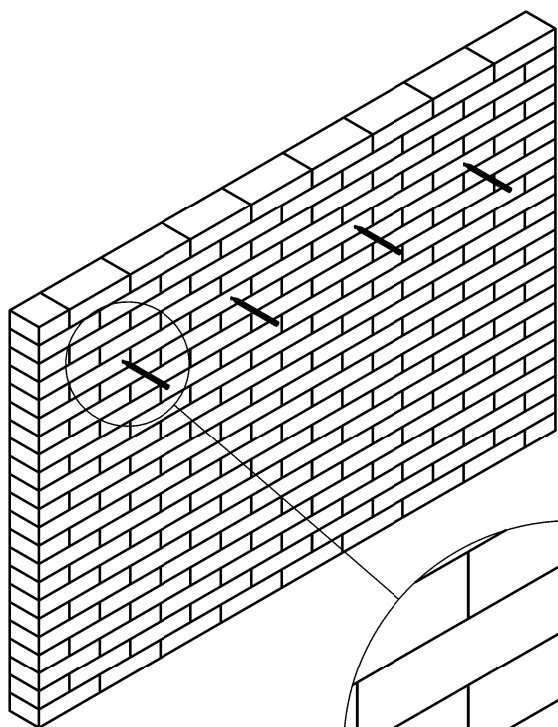
WS4

ZR2

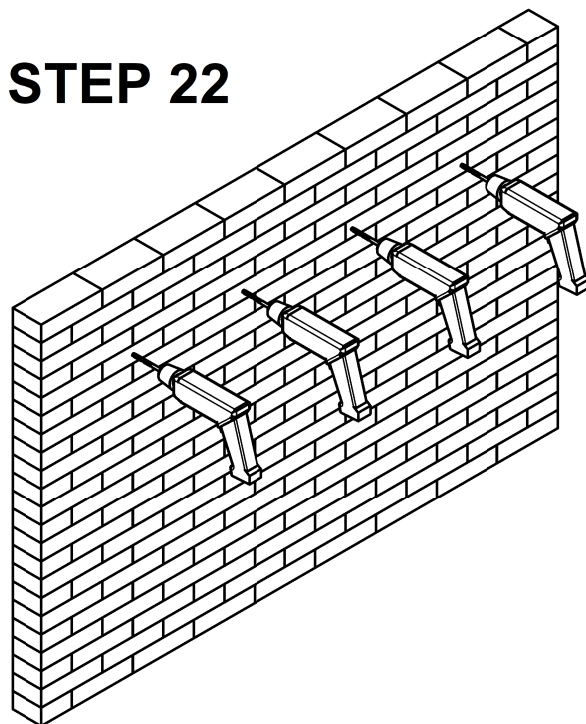
002



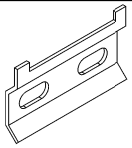
STEP 21



STEP 22

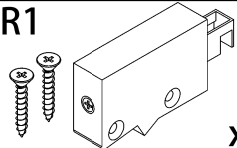


ZW

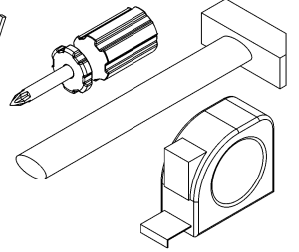
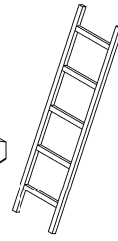
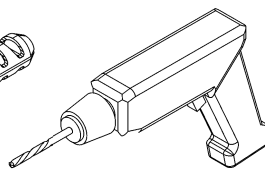
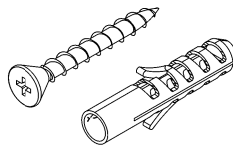


x4

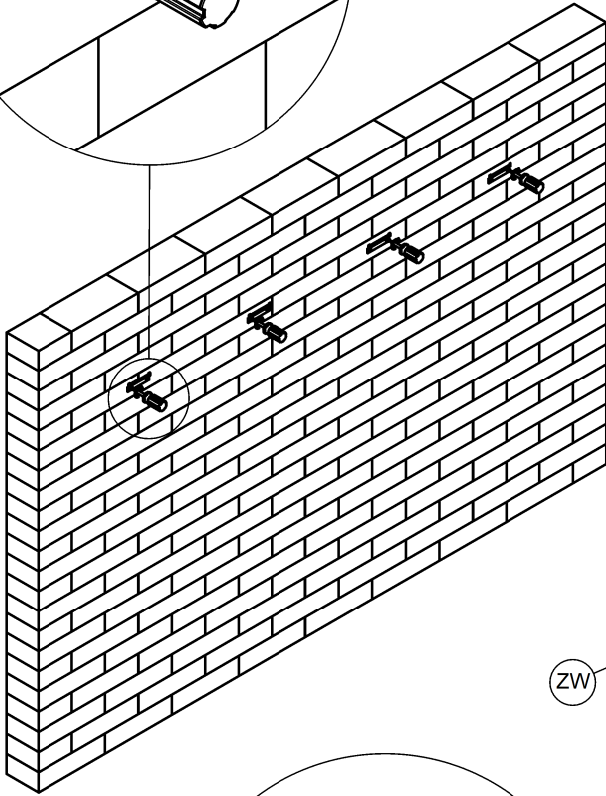
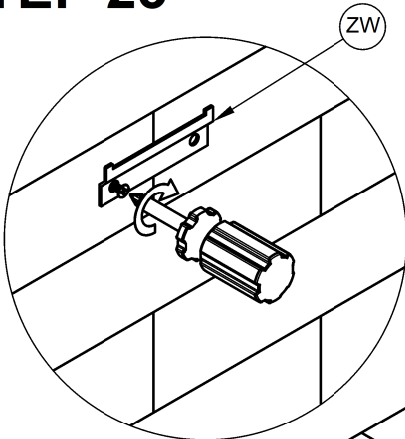
ZR1



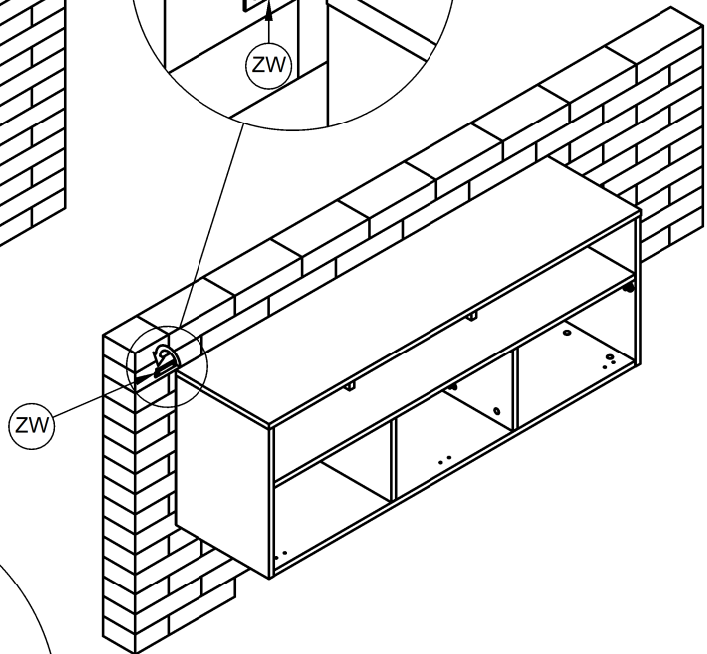
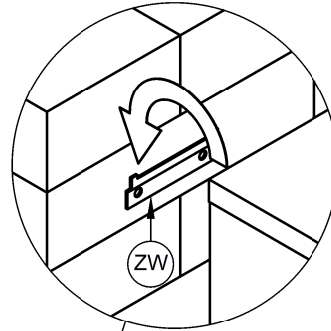
x4



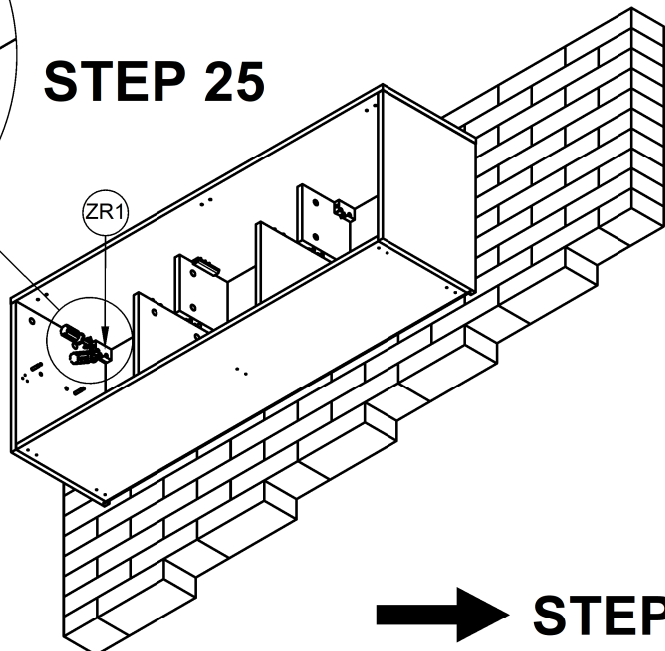
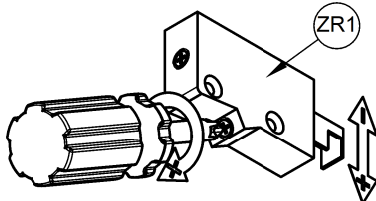
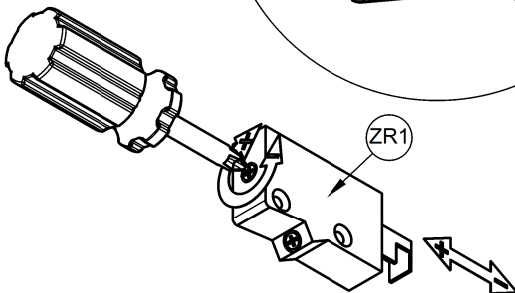
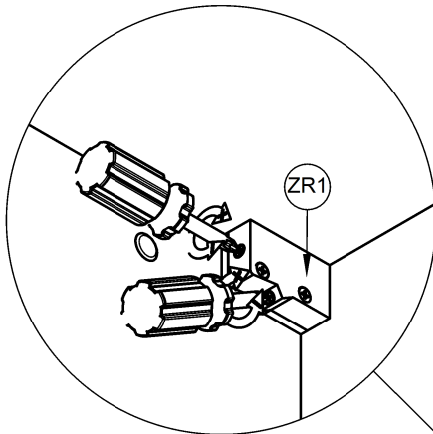
STEP 23



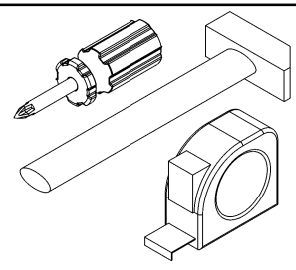
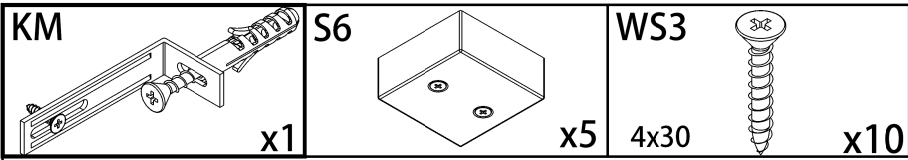
STEP 24



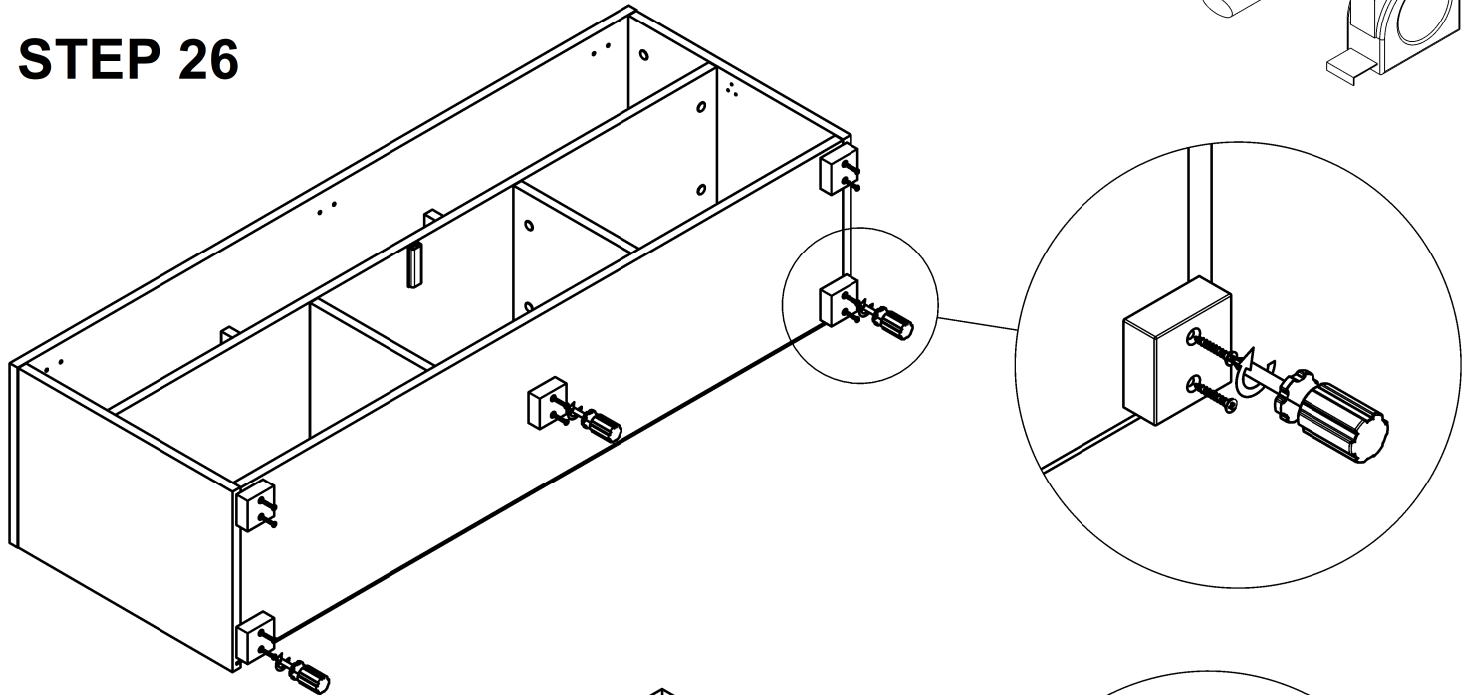
STEP 25



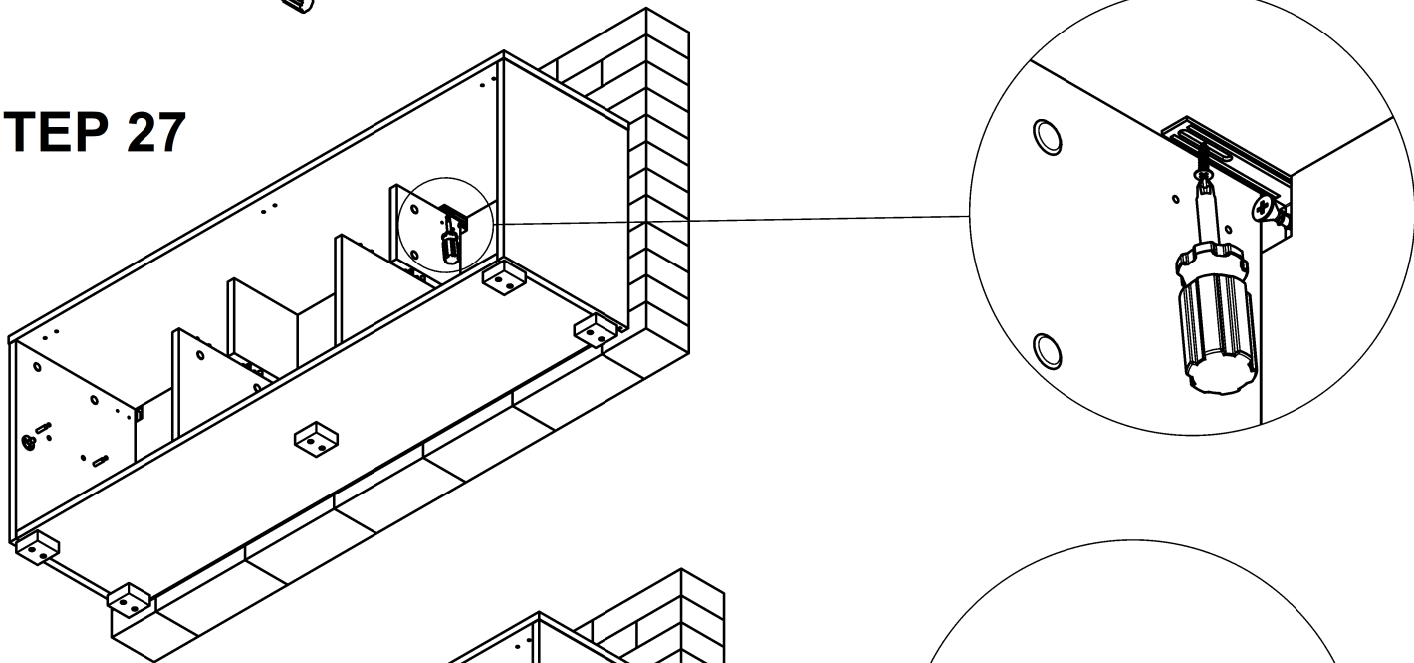
→ STEP 31



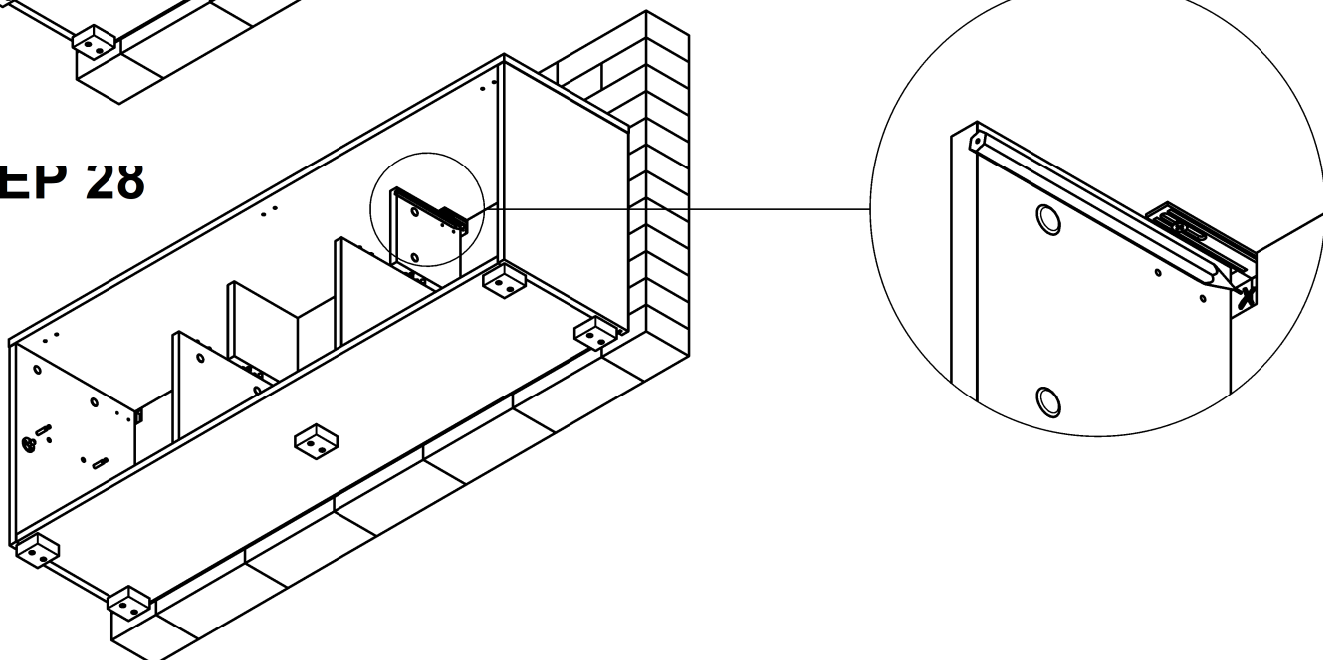
STEP 26

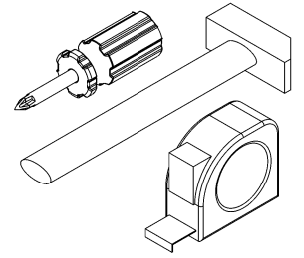
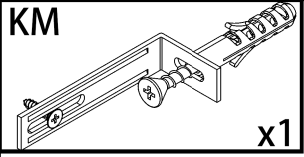


STEP 27

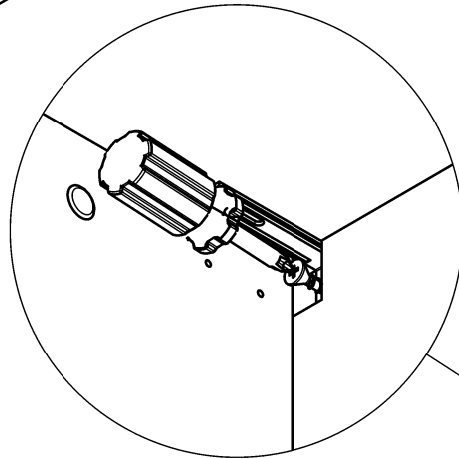
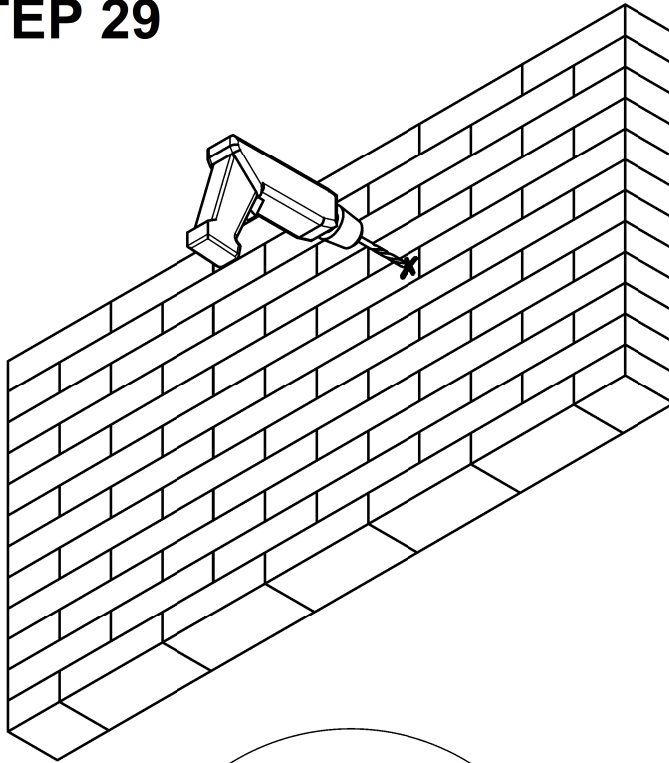


STEP 28

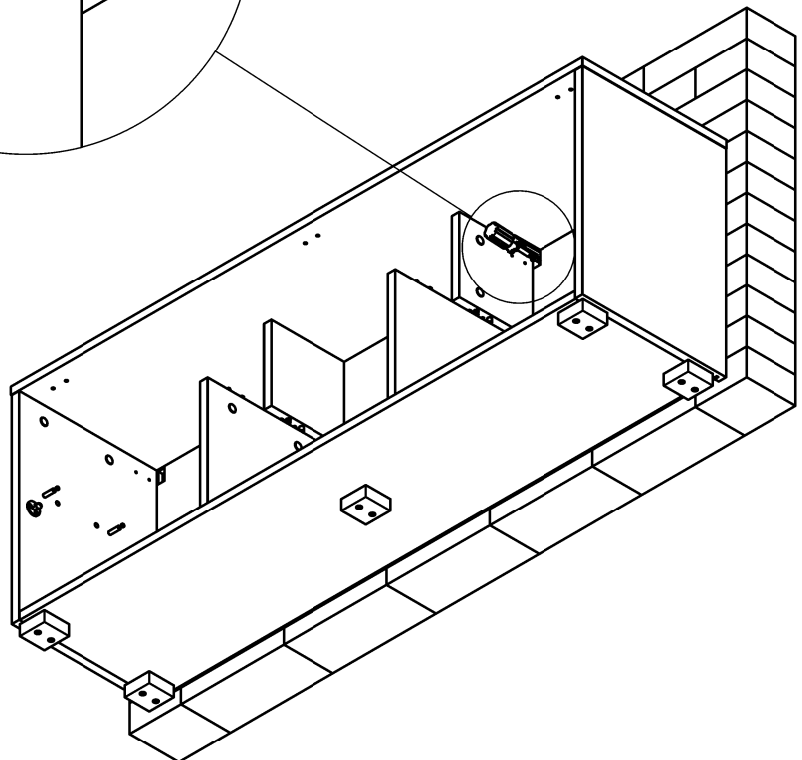


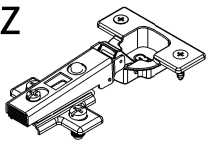
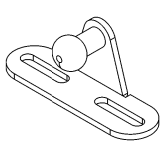
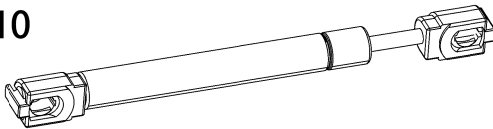
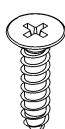


STEP 29

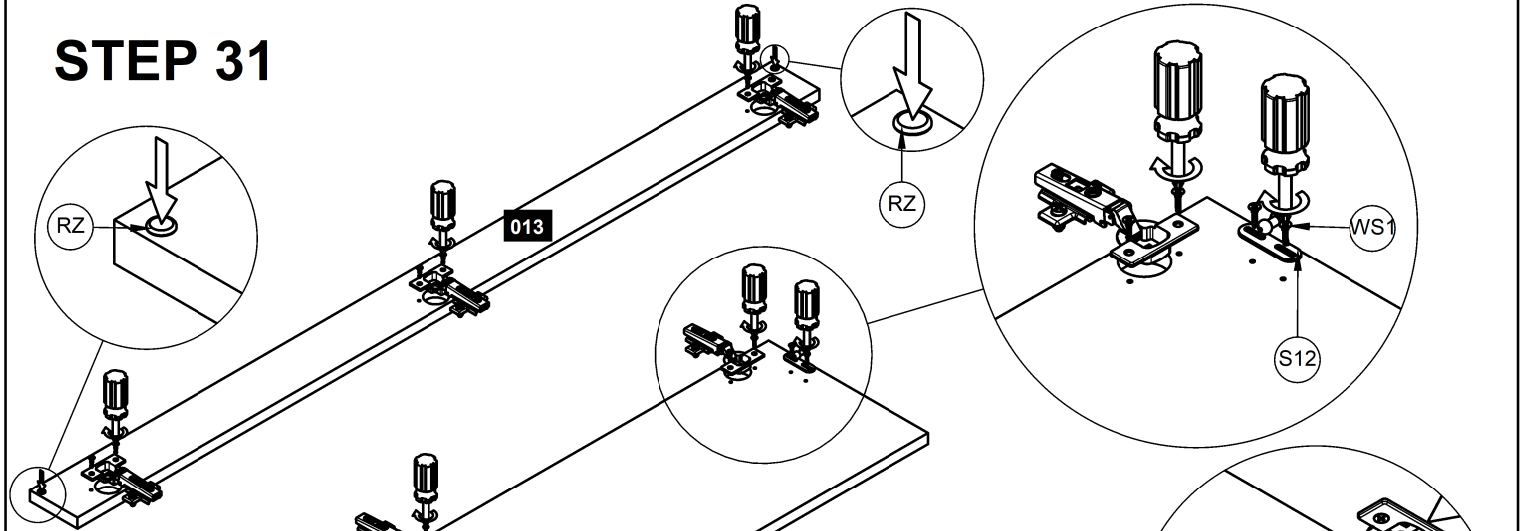


STEP 30

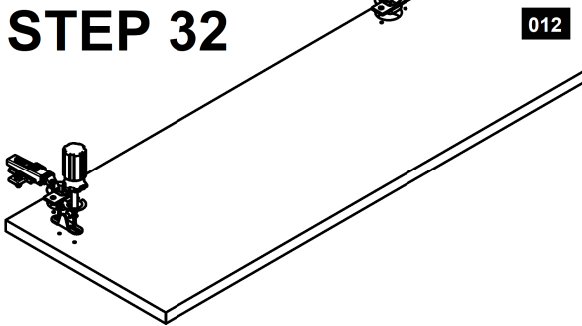


ZZ  x6	S12  x2	S10  x2	WS1  3,5x16 x40
---	---	--	---

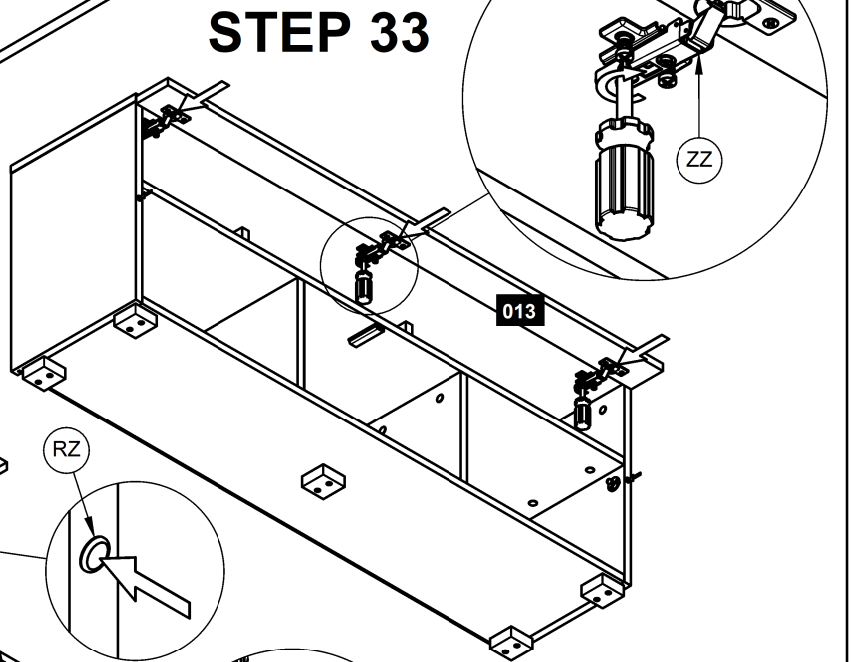
STEP 31



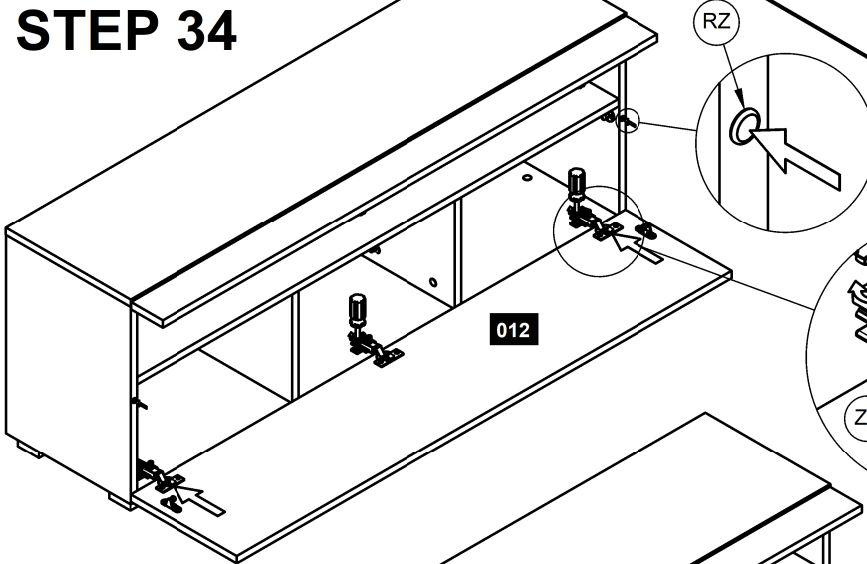
STEP 32



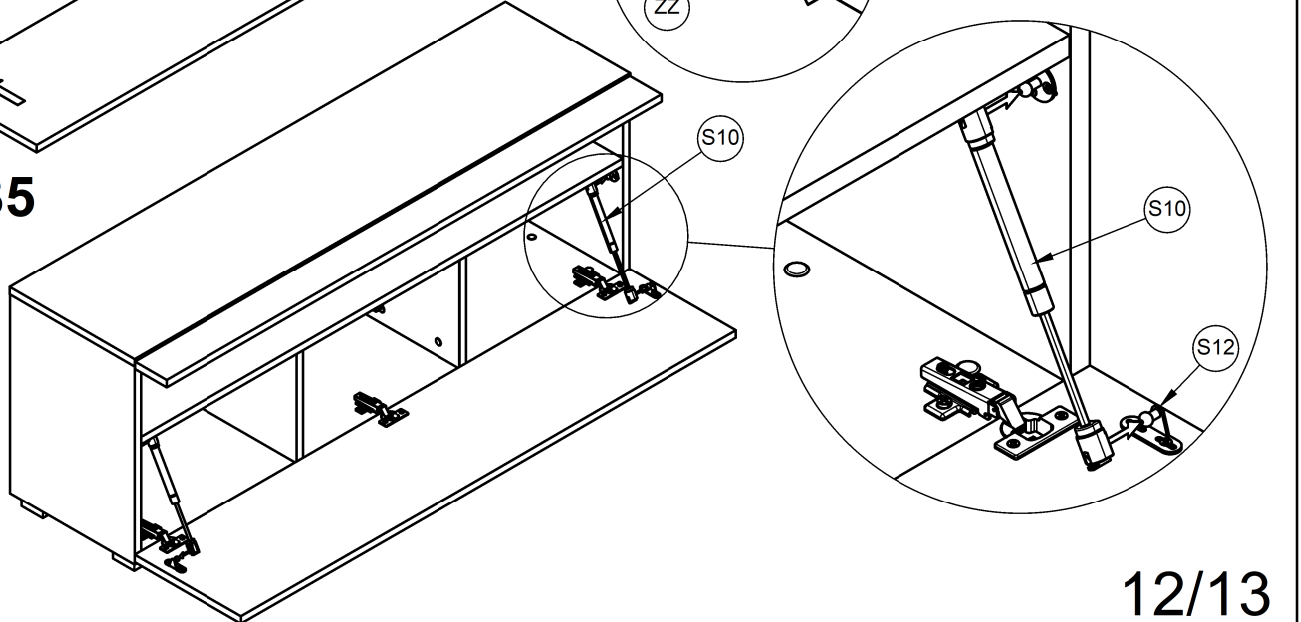
STEP 33



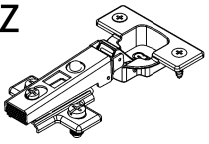
STEP 34



STEP 35



ZZ



x6

