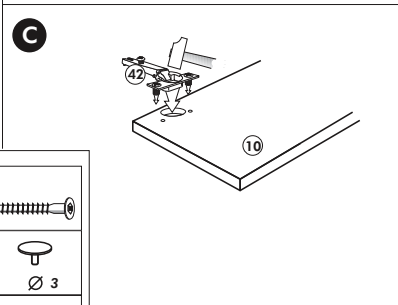
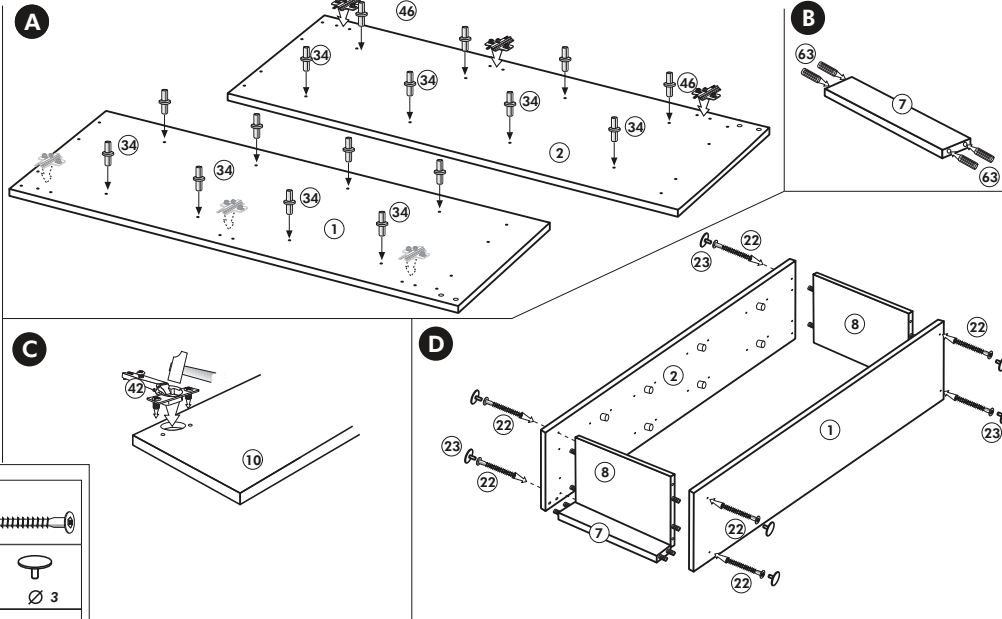
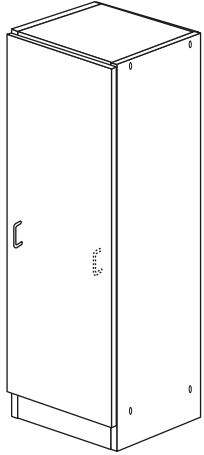
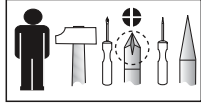


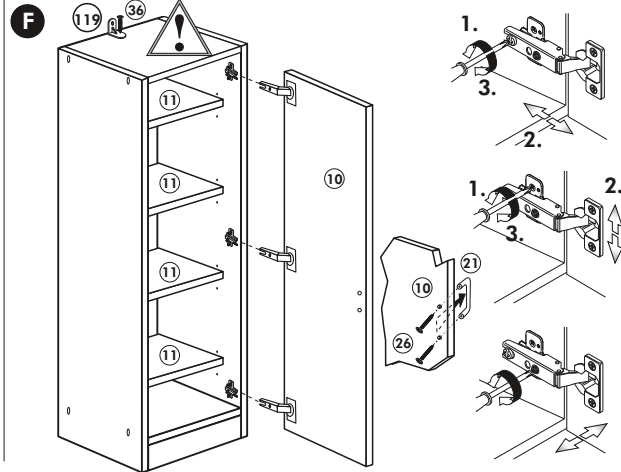
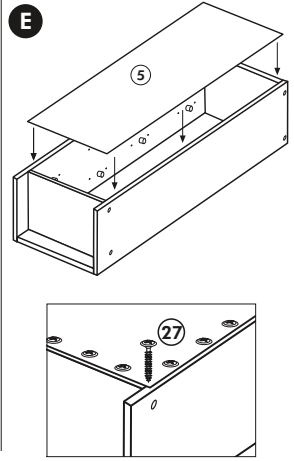
Wilhelm Hoffmeister GmbH + Co KG, Hueckerstr. 19, 32257 Bünde

# Seitenschrank

Nr. 303 Rev.00

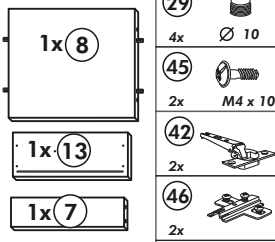
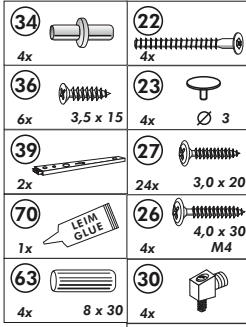
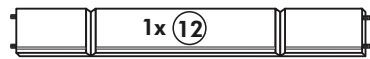
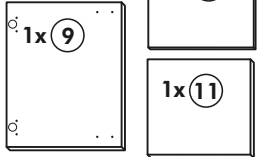
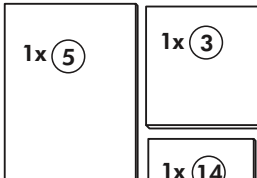
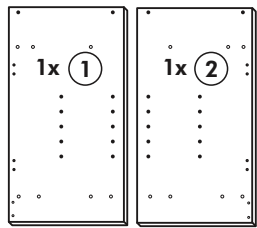
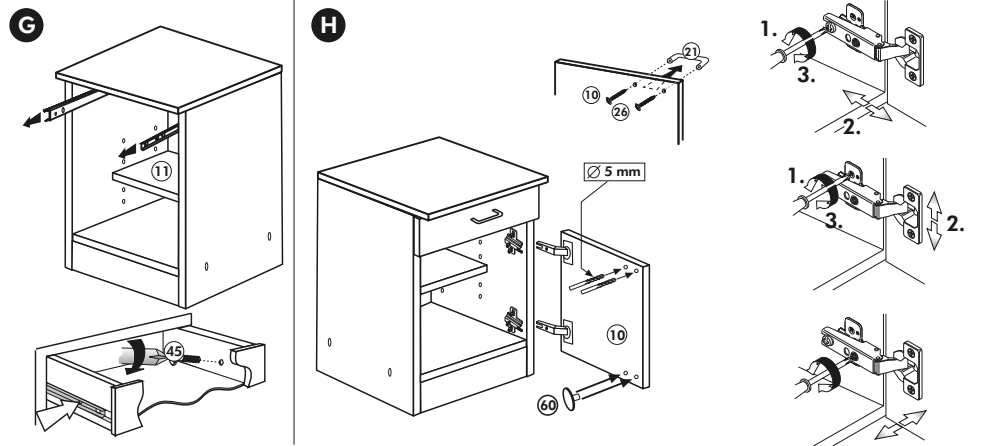
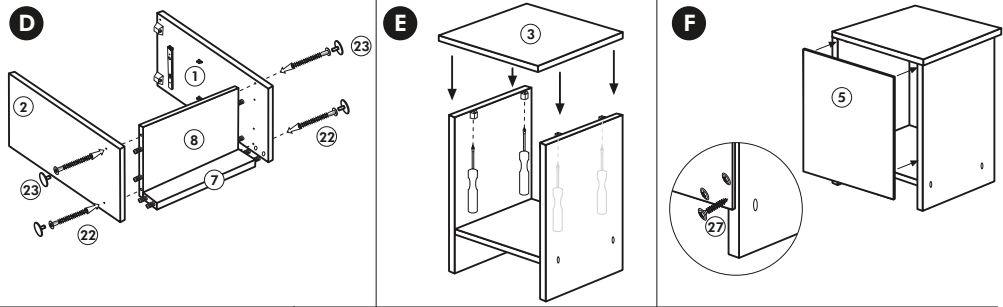
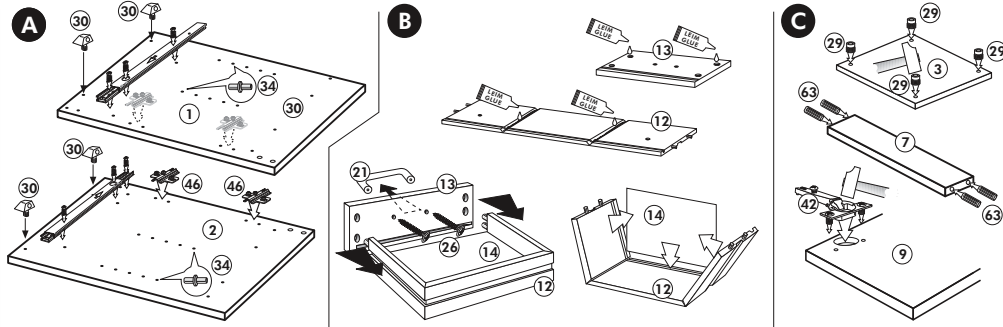
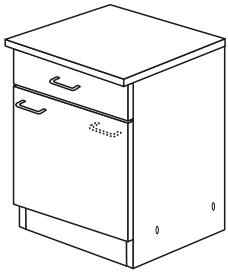
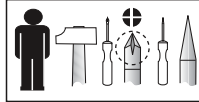


|      |       |       |      |          |              |                 |           |                      |           |          |                    |          |          |
|------|-------|-------|------|----------|--------------|-----------------|-----------|----------------------|-----------|----------|--------------------|----------|----------|
| 1x 1 | 1x 2  | 1x 10 | 1x 5 | 22<br>8x | 23<br>8x Ø 3 | 63<br>4x 8 x 30 | 34<br>16x | 26<br>2x 4,0 x 30 M4 | 119<br>1x | 42<br>3x | 27<br>35x 3,0 x 20 | 46<br>3x | 21<br>1x |
| 2x 8 | 4x 11 |       |      |          |              |                 |           |                      |           |          |                    |          |          |
| 1x 7 |       |       |      |          |              |                 |           |                      |           |          |                    |          |          |



# Unterschrank

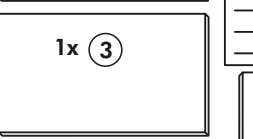
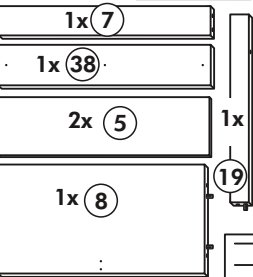
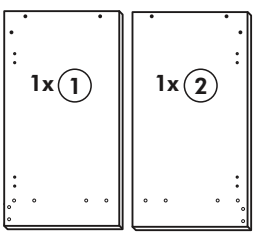
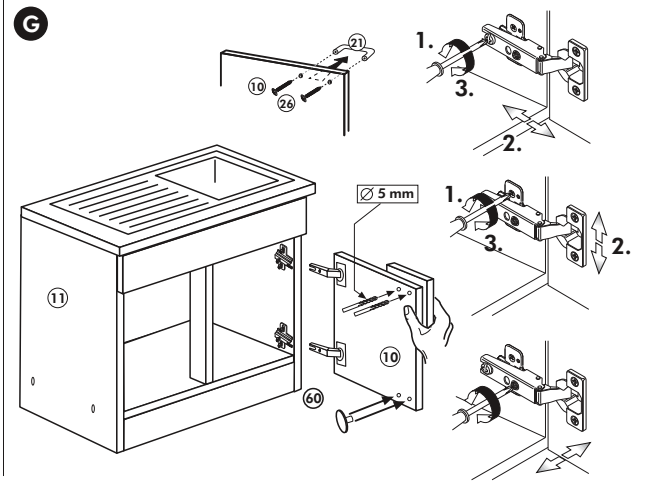
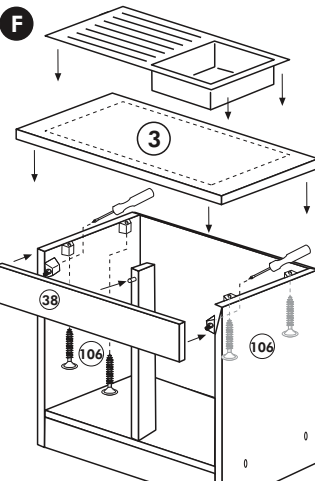
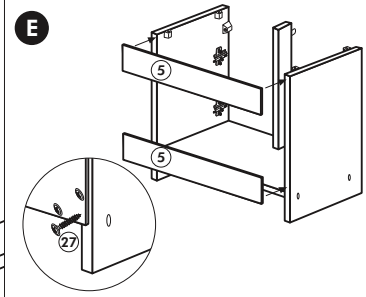
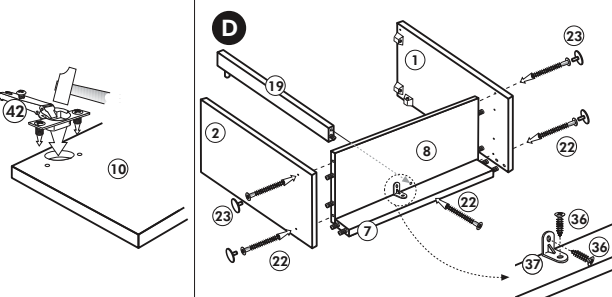
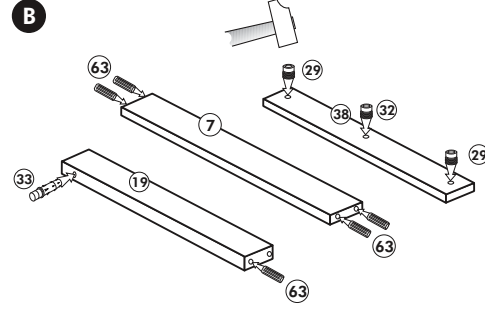
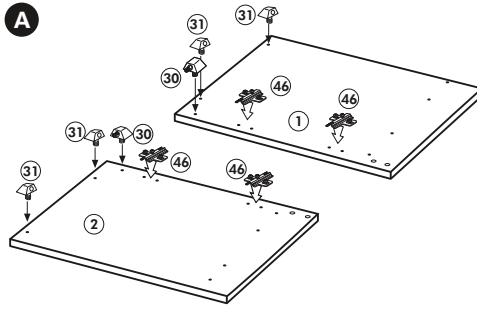
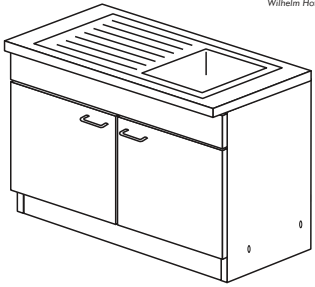
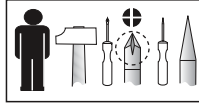
Nr. 001 Rev.00



Wilhelm Hoffmeister GmbH + Co KG, Hueckerstr. 19, 32257 Bünde

# Spüle-Unterschrank

Nr. 404 Rev.00

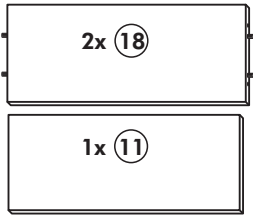
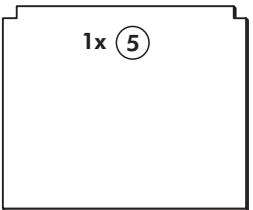
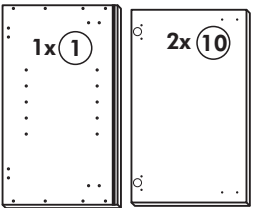
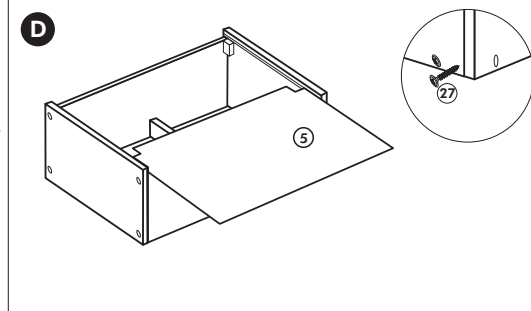
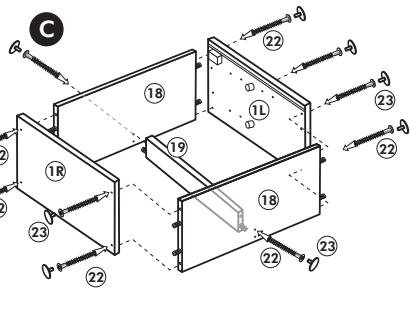
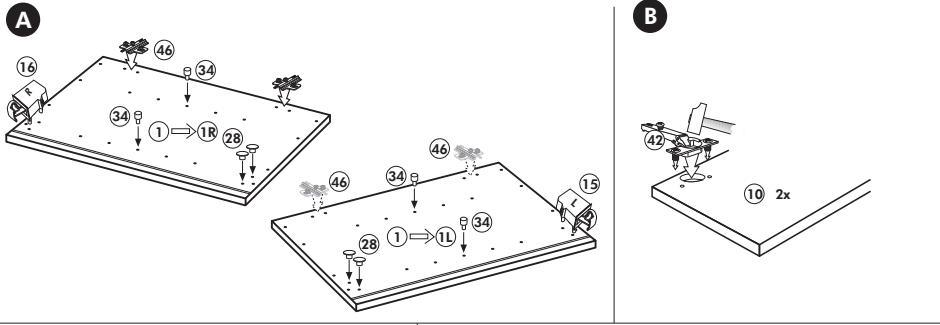
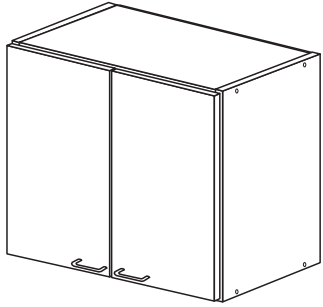


|                                  |                                       |
|----------------------------------|---------------------------------------|
| <b>37</b><br>1x<br>              | <b>30</b><br>2x<br>                   |
| <b>36</b><br>2x<br>3,5 x 15<br>  | <b>29</b><br>2x<br>Ø 10<br>           |
| <b>32</b><br>1x<br>Ø 12<br>      | <b>22</b><br>5x<br>                   |
| <b>23</b><br>4x<br>Ø 3<br>       | <b>26</b><br>4x<br>4,0 x 30<br>M4<br> |
| <b>46</b><br>4x<br>              | <b>31</b><br>4x<br>                   |
| <b>42</b><br>4x<br>              | <b>60</b><br>4x<br>Ø 5<br>            |
| <b>63</b><br>4x<br>8 x 30<br>    | <b>27</b><br>24x<br>3,0 x 20<br>      |
| <b>21</b><br>2x<br>              | <b>33</b><br>1x<br>                   |
| <b>106</b><br>4x<br>4,0 x 30<br> |                                       |

Wilhelm Hoffmeister GmbH + Co KG, Hueckerstr. 19, 32257 Bünde

# Hängeschrank

Nr. 102 Rev.00



|                           |  |
|---------------------------|--|
| 68<br>2x<br>Spring        | 23<br>10x<br>Ø 3<br>Washer               |
| 28<br>4x<br>Ø 10<br>Screw | 27<br>18x<br>3,0 x 20<br>Screw           |
| 60<br>4x<br>Ø 5<br>Screw  | 26<br>4x<br>4,0 x 30<br>M4 x 30<br>Screw |
| 22<br>10x<br>Screw        | 15<br>1x<br>Bracket                      |
| 34<br>4x<br>Screw         | 16<br>1x<br>Bracket                      |
| 69<br>2x<br>Screw         | 42<br>4x<br>Bracket                      |
| 46<br>4x<br>Bracket       | 21<br>2x<br>Bracket                      |

