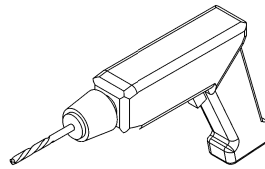
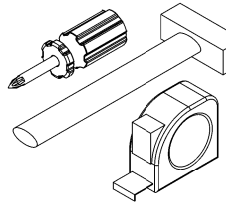
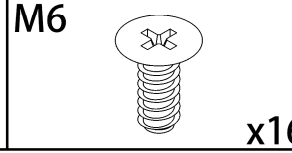
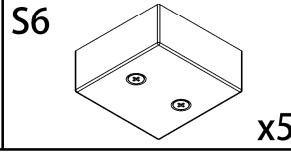
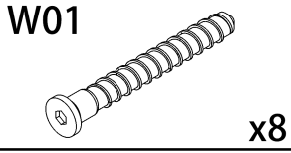
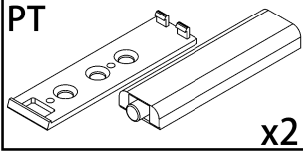
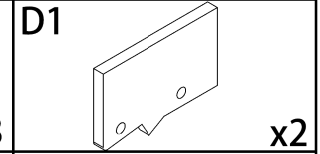
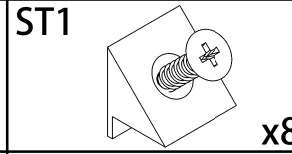
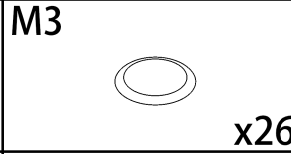
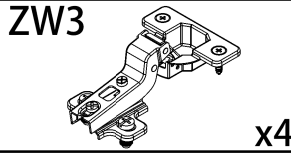
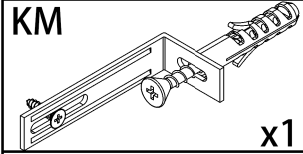
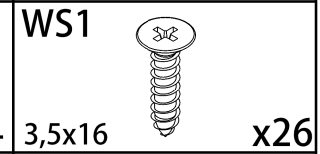
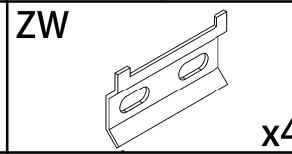
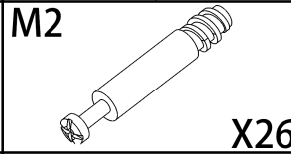
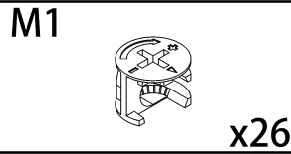
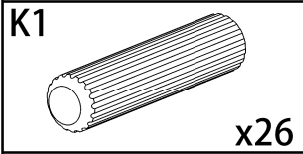
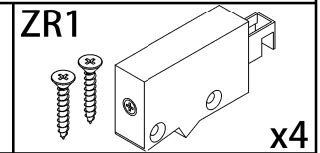
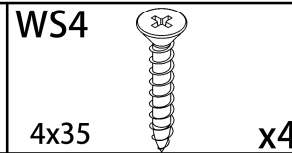
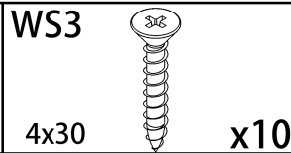
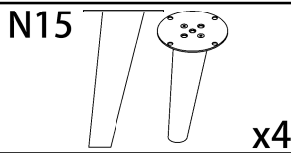
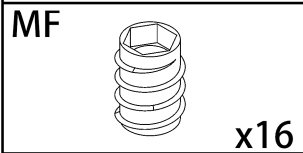
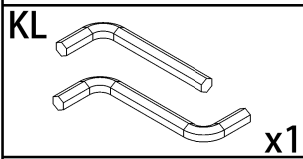
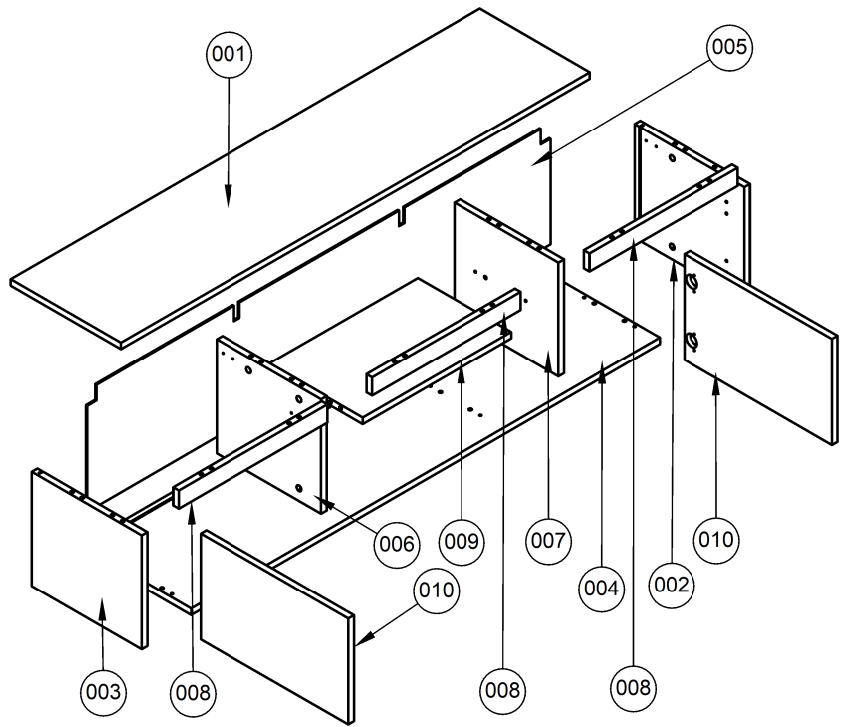


- 90 min.

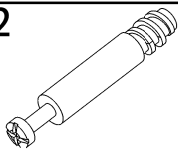


**K150-302-2**

Number	Qty	Size A	Size B
001	1	1490	350
002	1	314	349
003	1	314	349
004	1	1490	350
005	1	334	1472
006	1	314	331
007	1	314	331
008	3	50	472
009	1	472	297
010	2	292	468

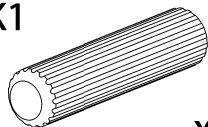


M2



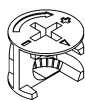
x26

K1

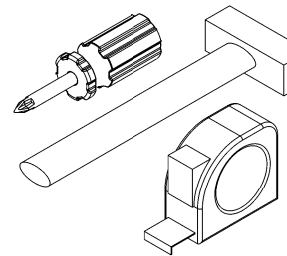


x26

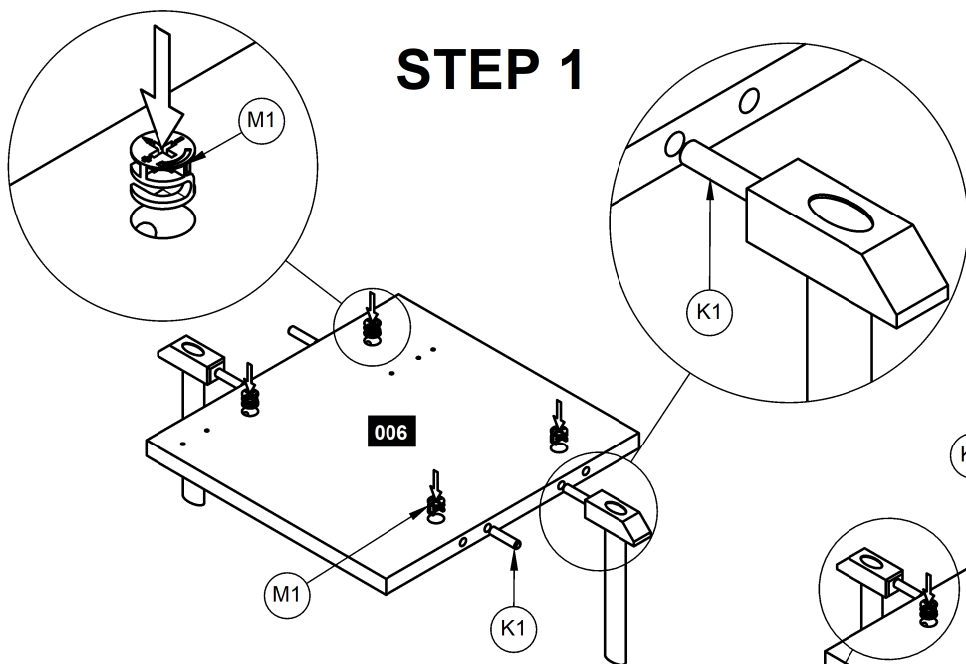
M1



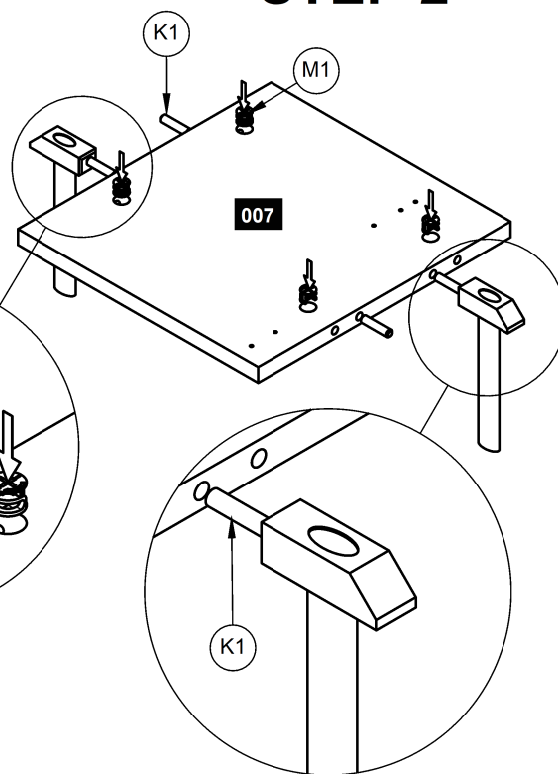
x26



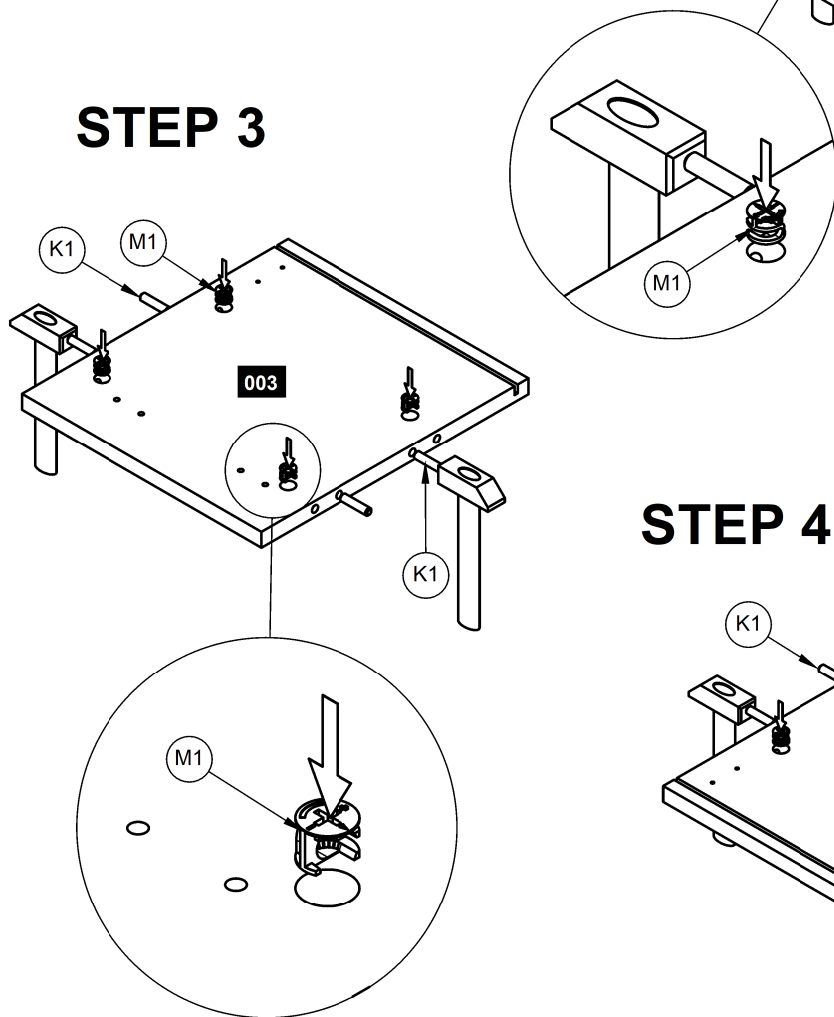
### STEP 1



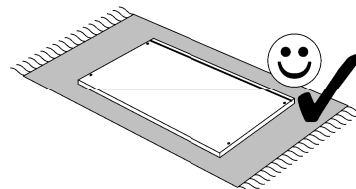
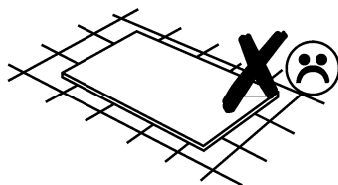
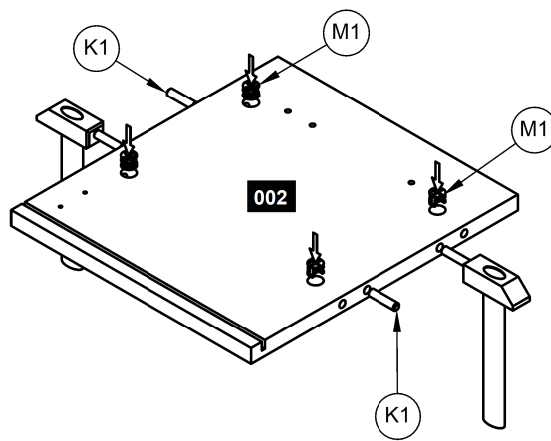
### STEP 2

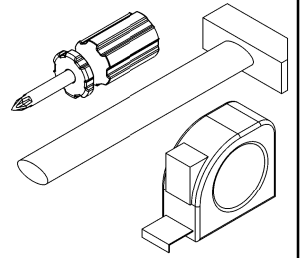
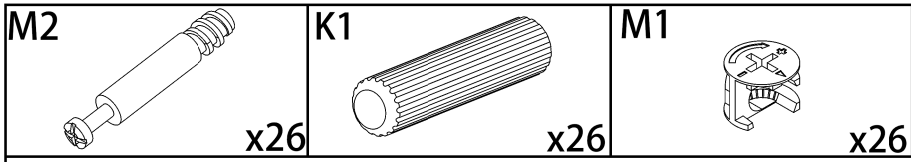


### STEP 3

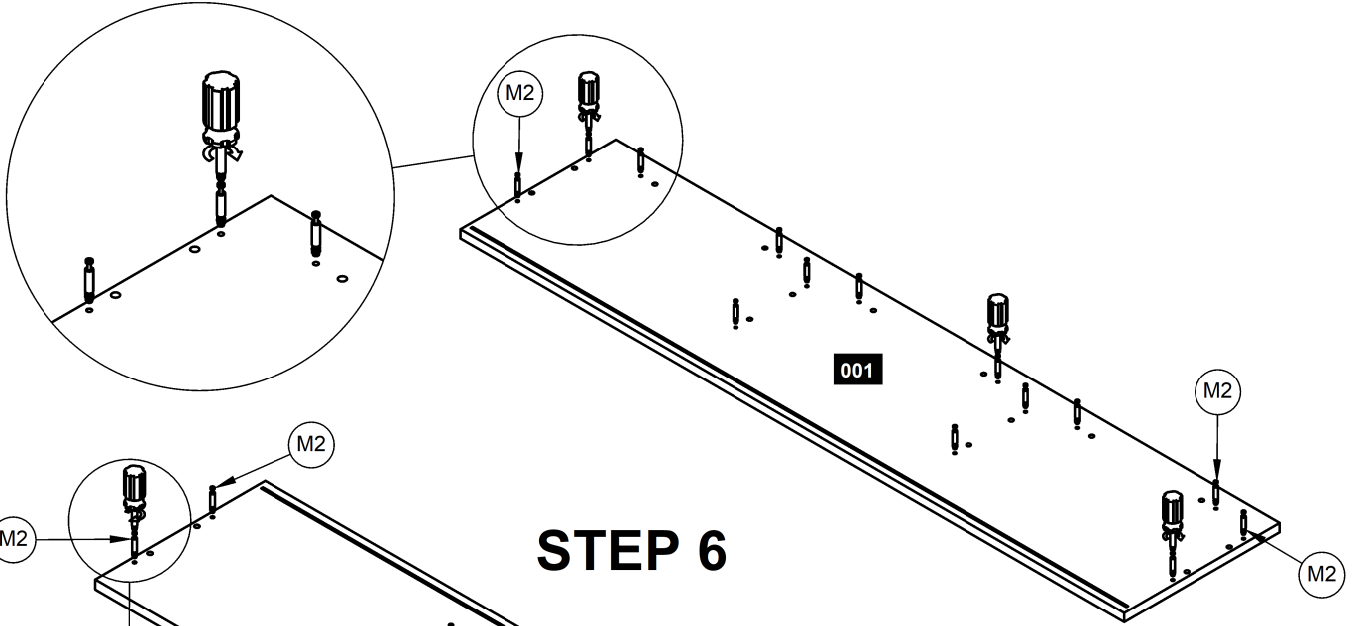


### STEP 4

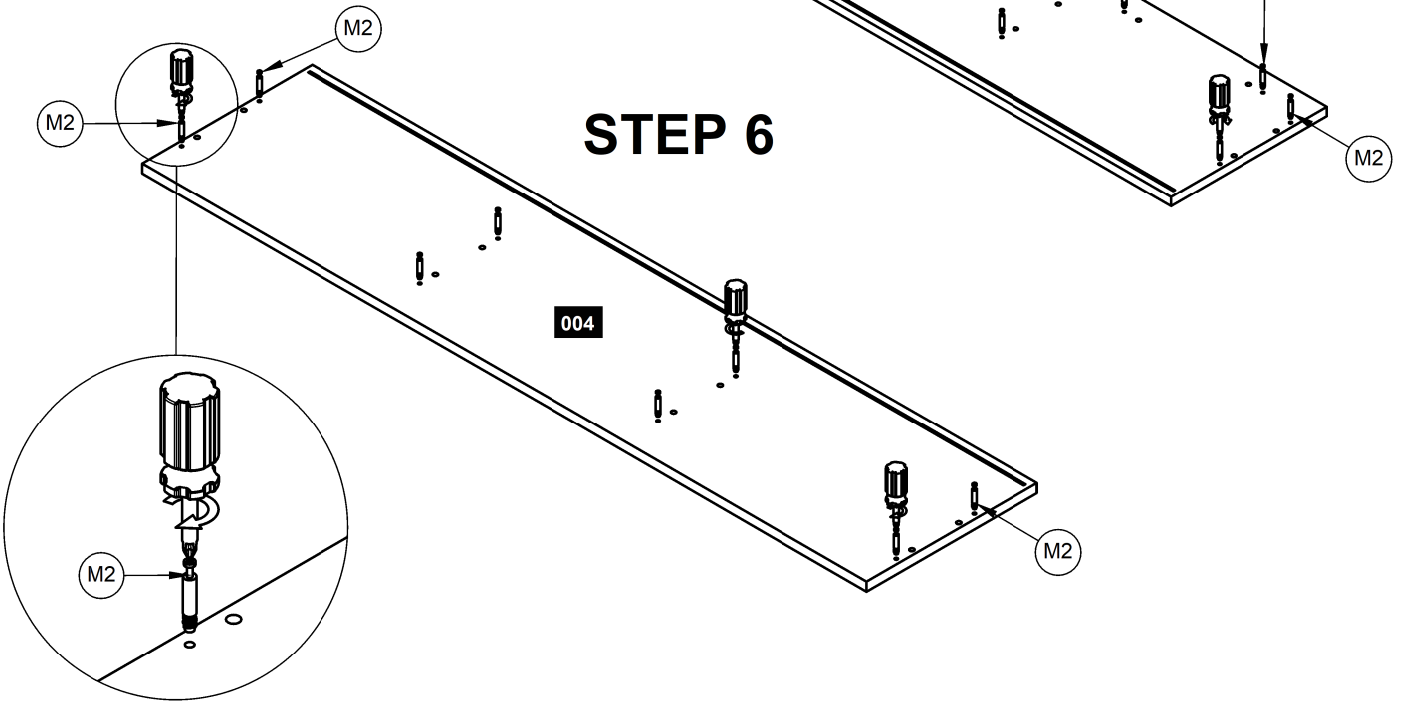




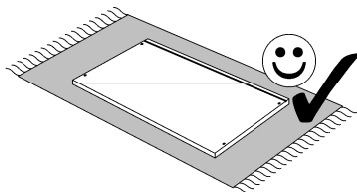
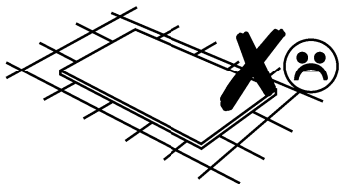
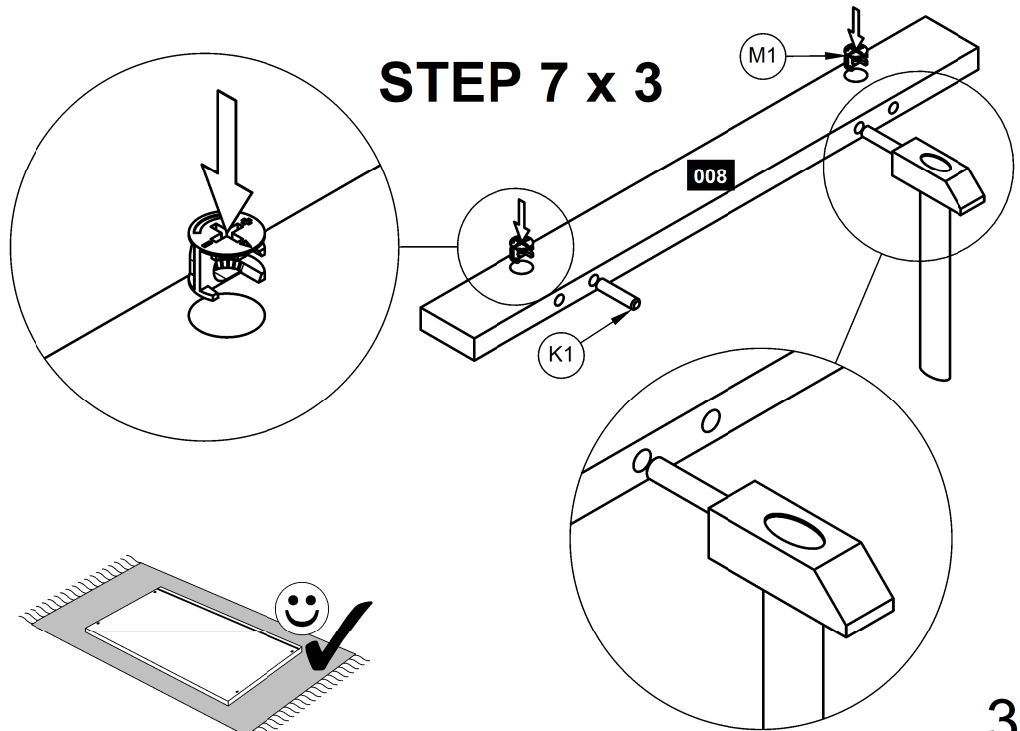
# STEP 5



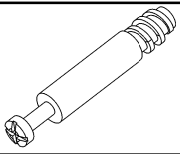
# STEP 6



# STEP 7 x 3



M2

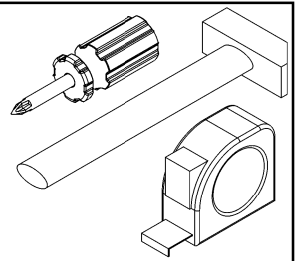


X26

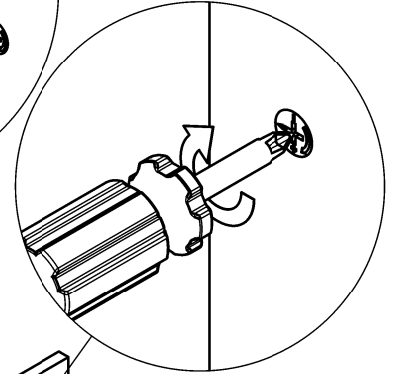
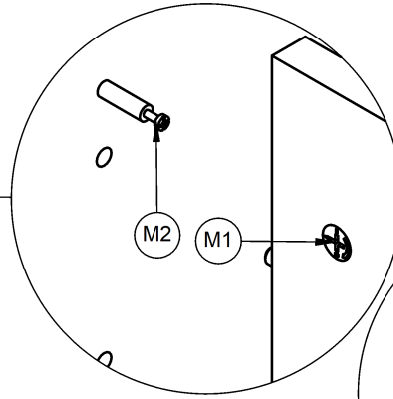
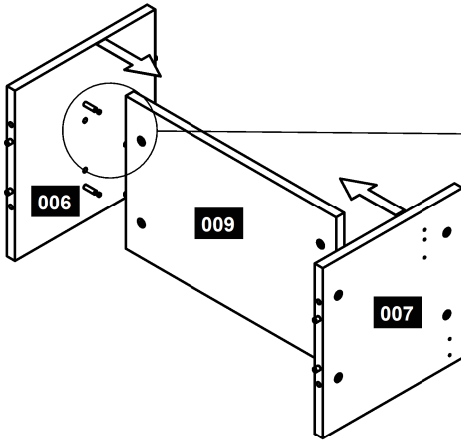
M1



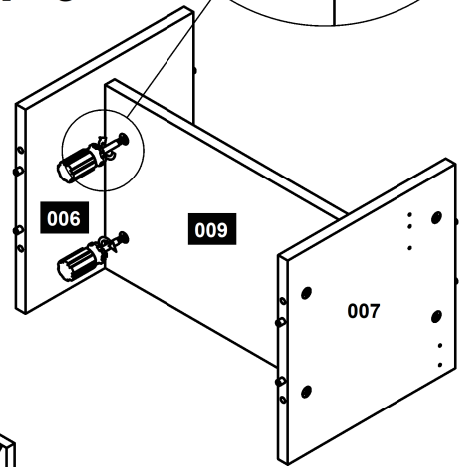
x26



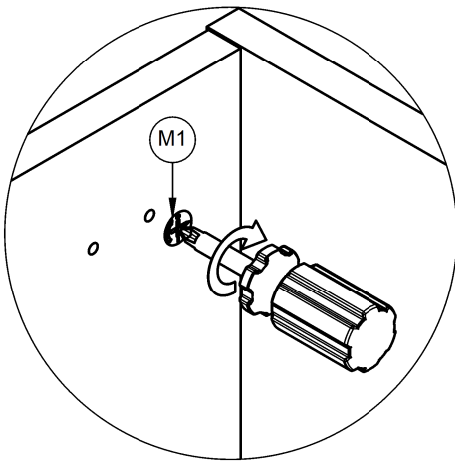
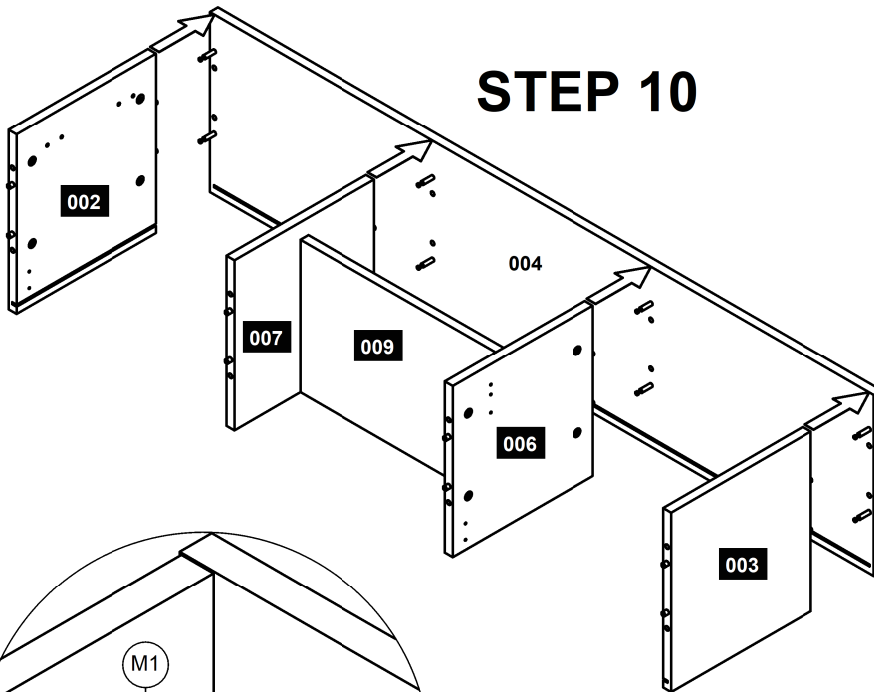
### STEP 8



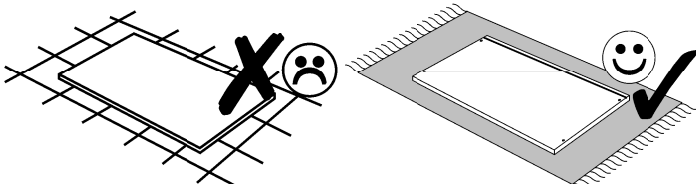
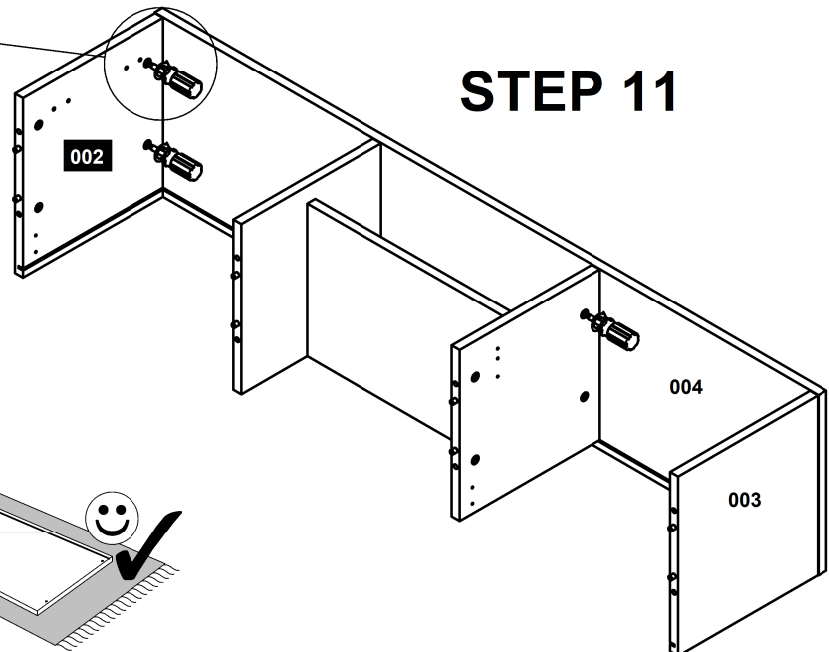
### STEP 9

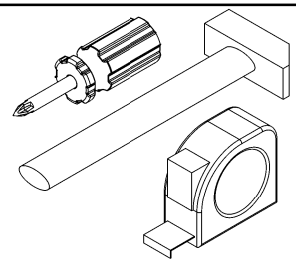
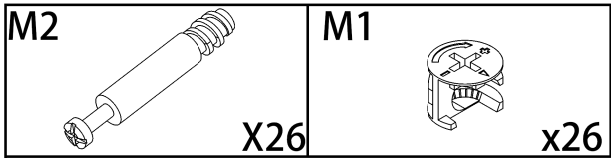


### STEP 10

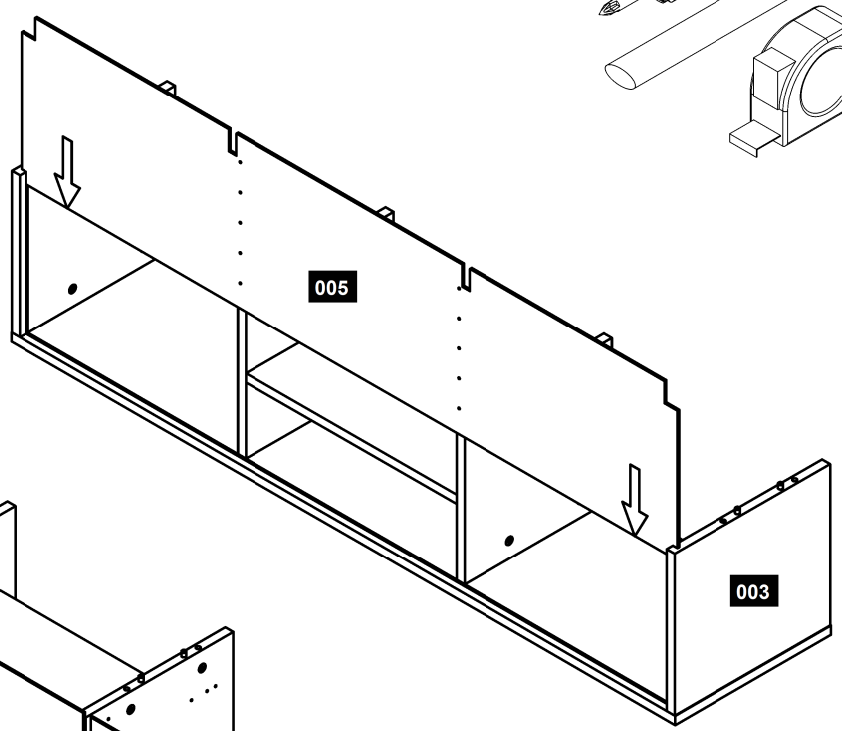


### STEP 11

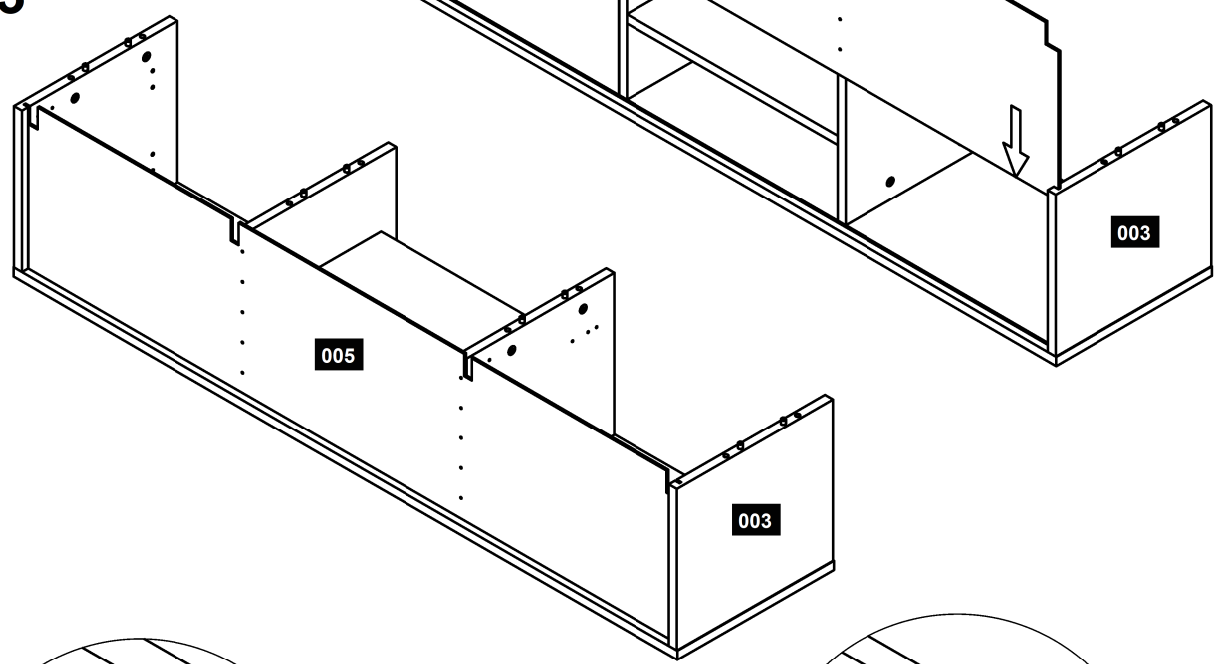




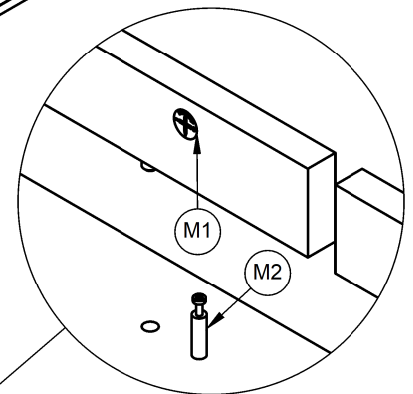
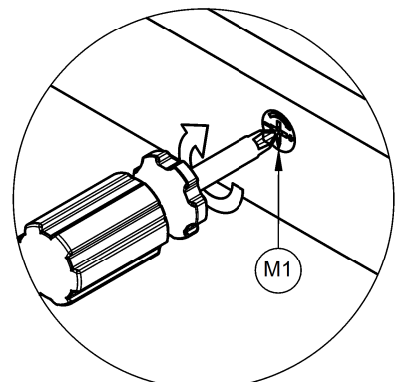
### STEP 12



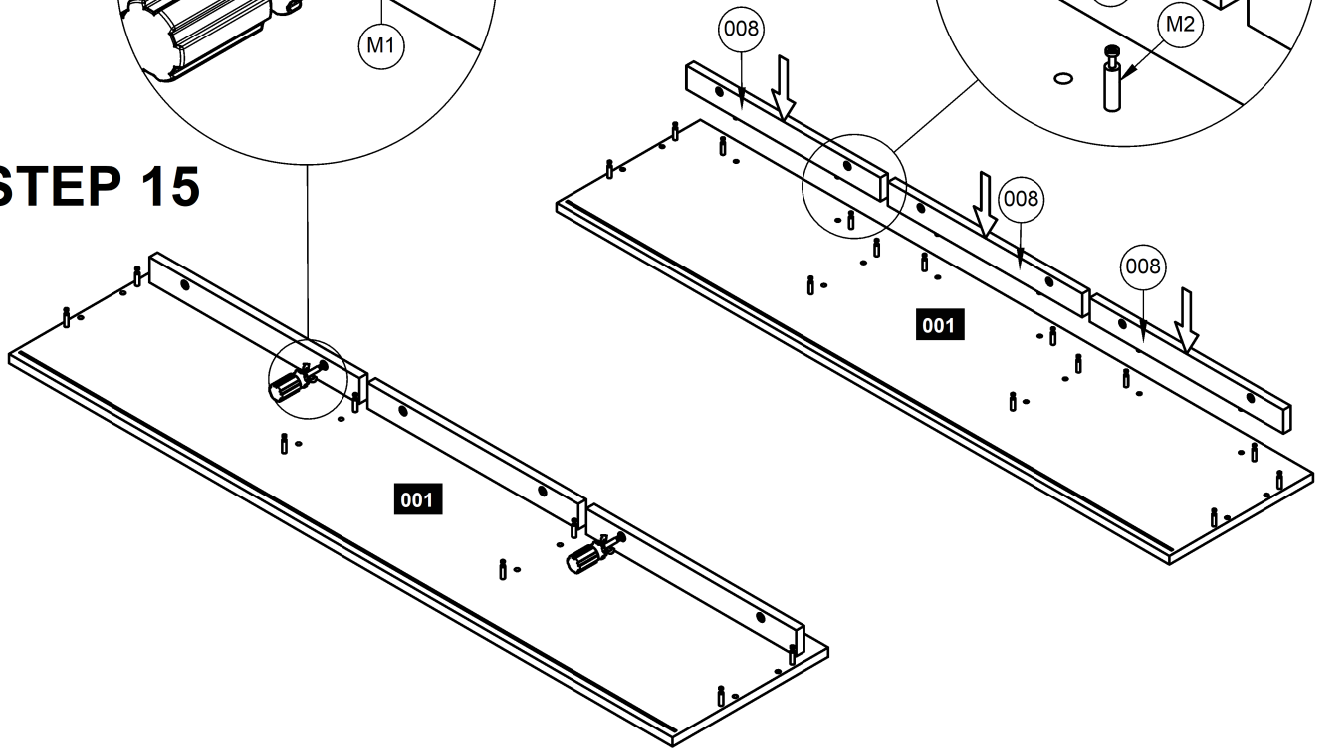
### STEP 13

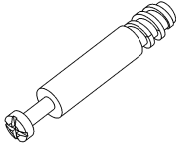
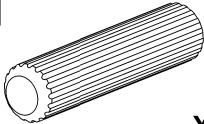
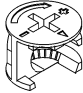
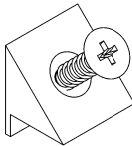



### STEP 14

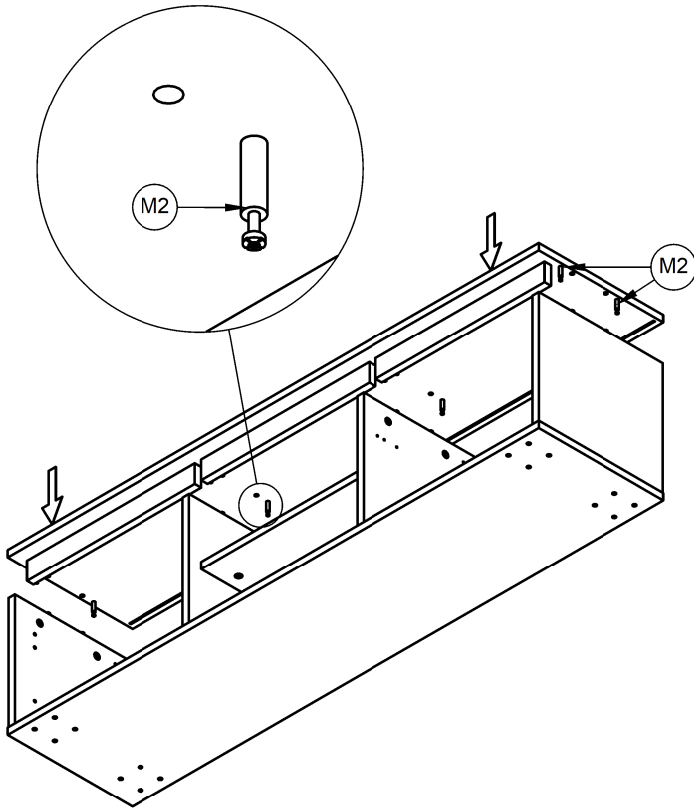


### STEP 15

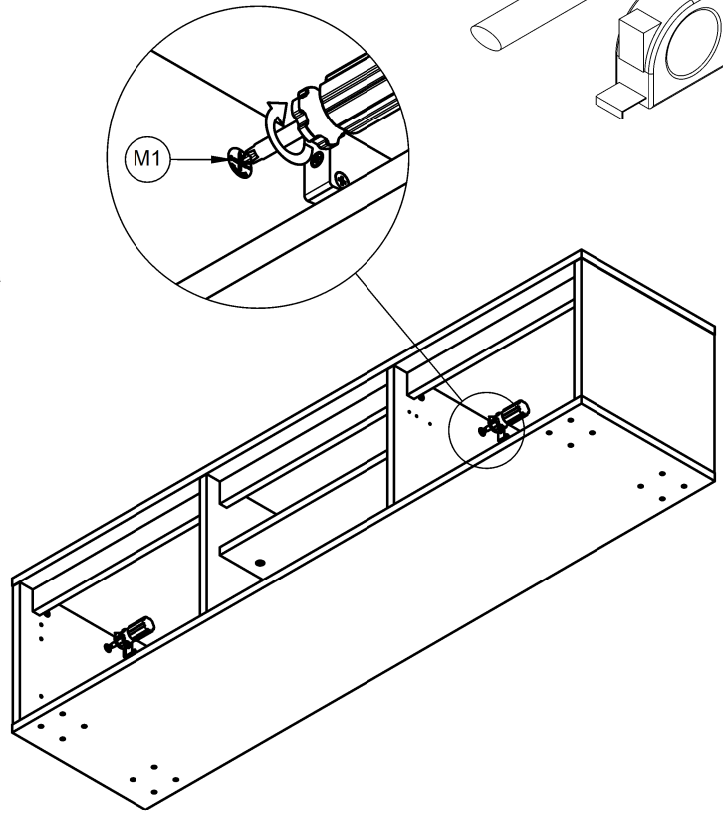


<b>M2</b>  <b>x26</b>	<b>K1</b>  <b>x26</b>	<b>M1</b>  <b>x26</b>	<b>ST1</b>  <b>x8</b>	<b>WS1</b>  <b>3,5x16</b> <b>x30</b>
--	---	---	---	---

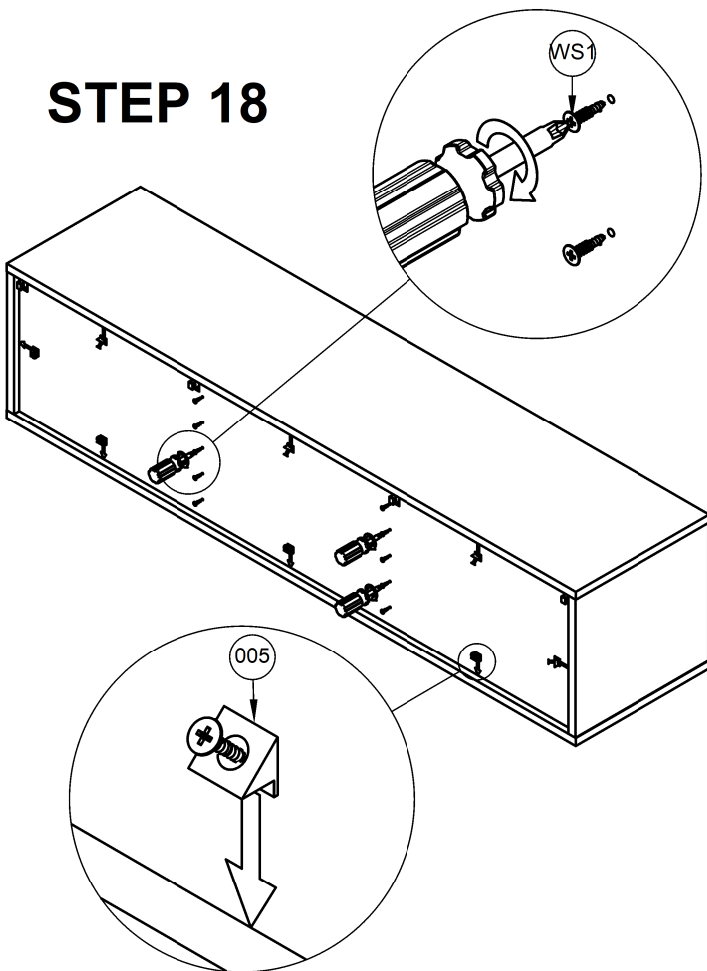
### STEP 16



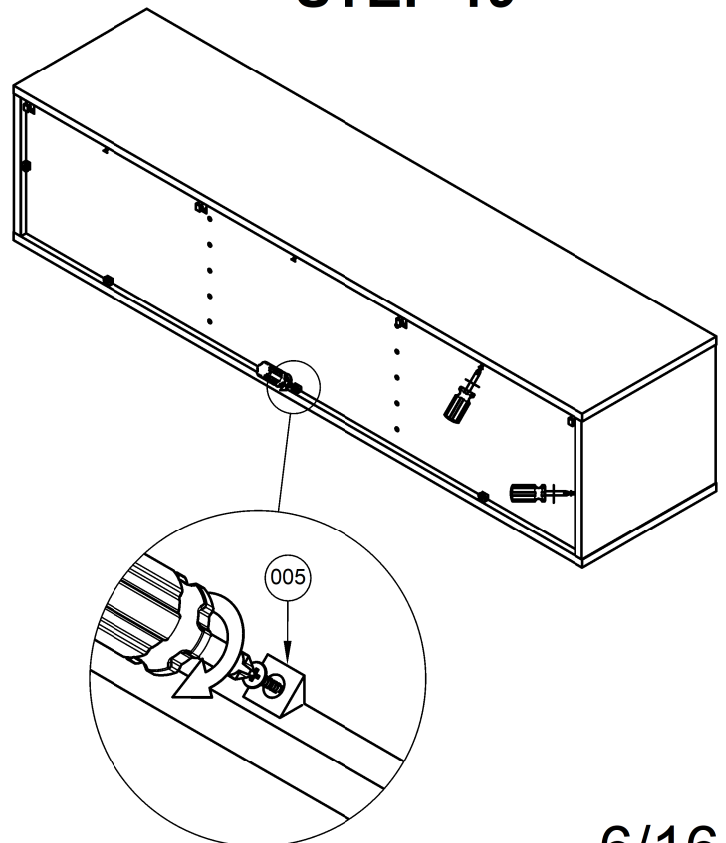
### STEP 17



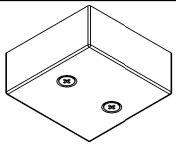
### STEP 18



### STEP 19

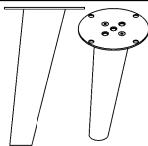


S6



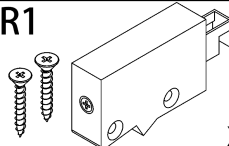
x5

N15



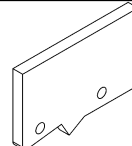
x4

ZR1

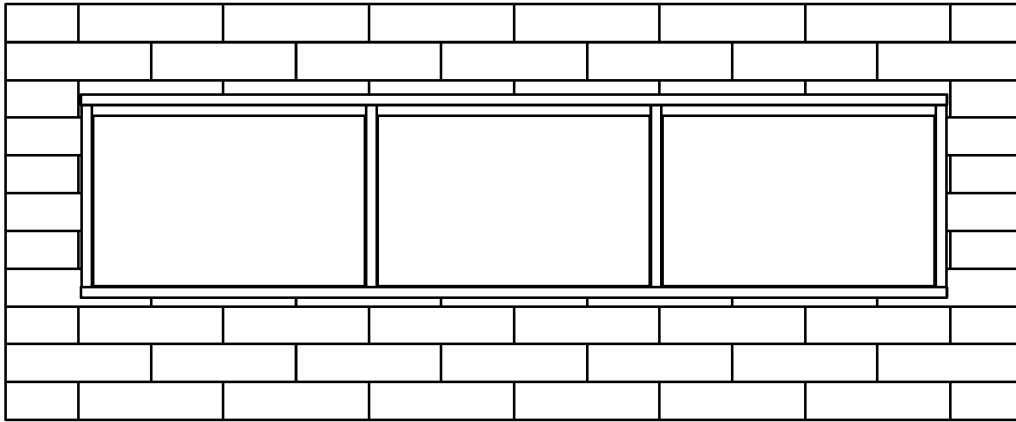
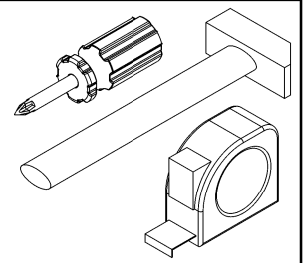


x4

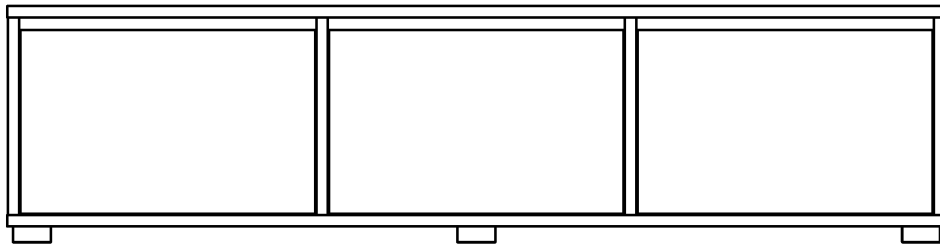
D1



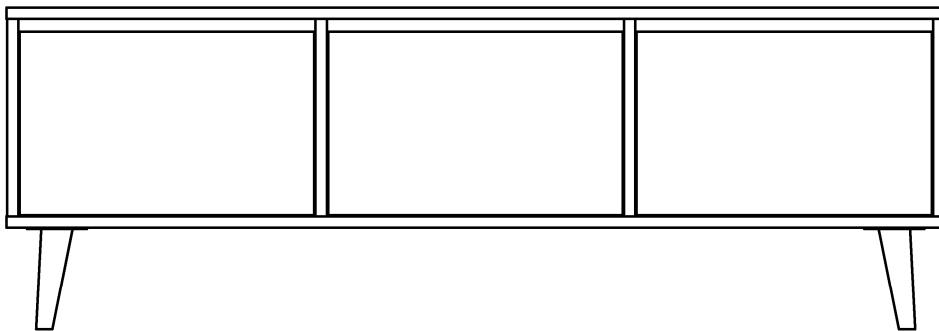
x2



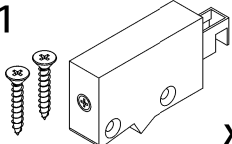
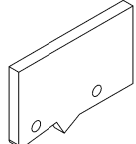
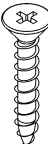
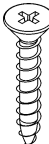

➔ **STEP 20**



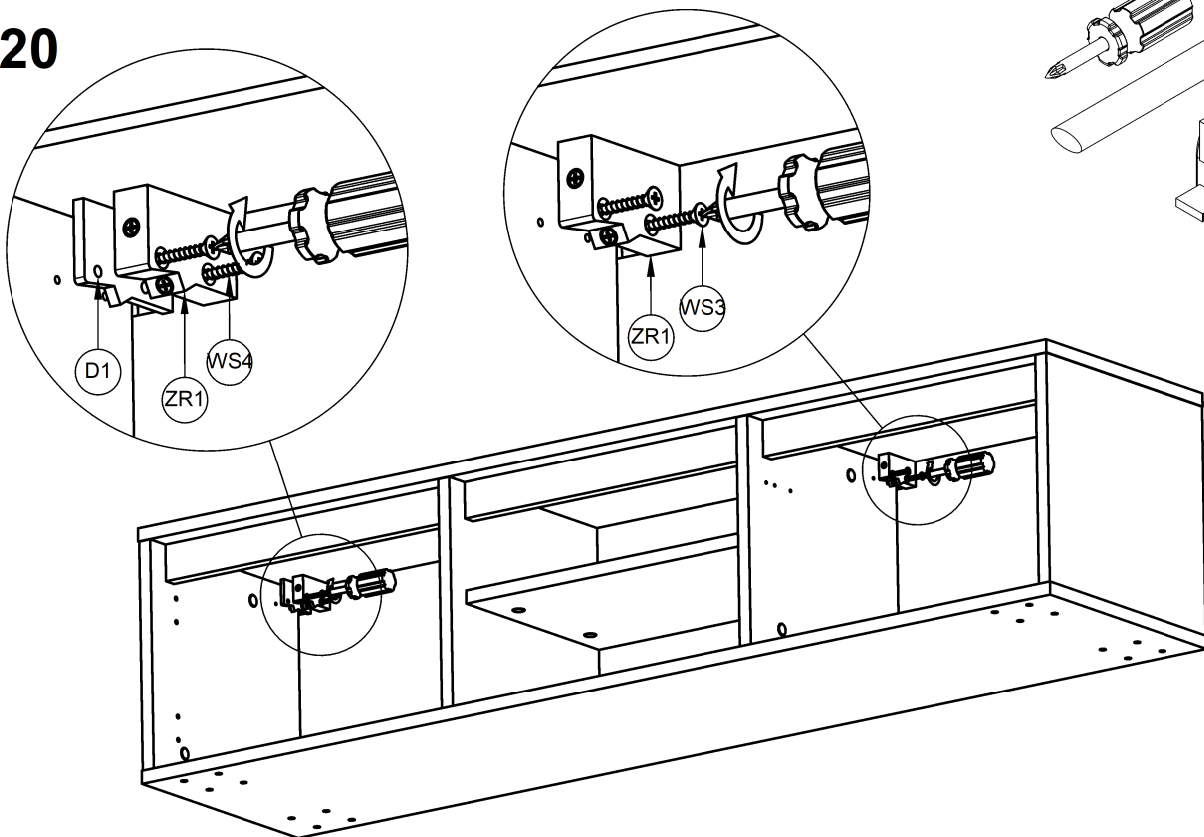
➔ **STEP 29**



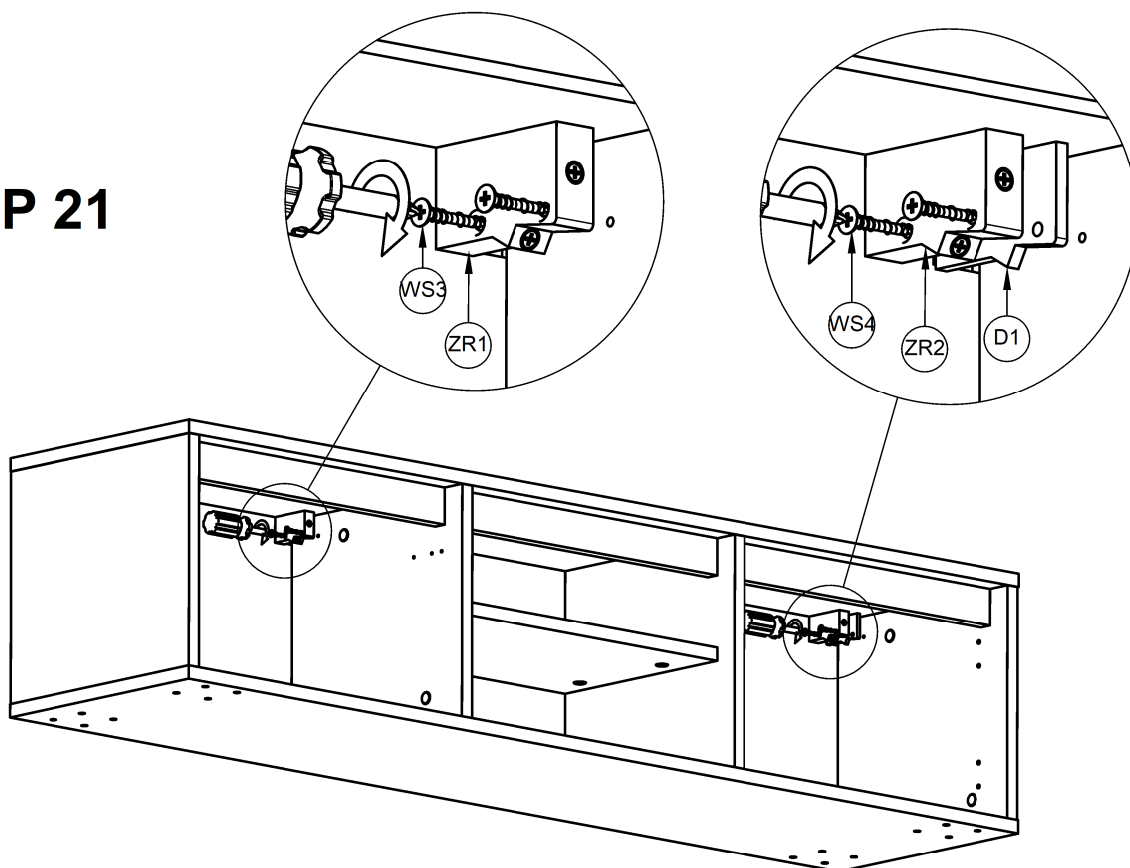
➔ **STEP 26**

<b>K1</b>  <b>x4</b>	<b>D1</b>  <b>x2</b>	<b>WS4</b>  <b>4x35</b> <b>x4</b>	<b>WS3</b>  <b>4x30</b> <b>x10</b>	<b>M3</b>  <b>x26</b>
---	--	--	---	---

## STEP 20

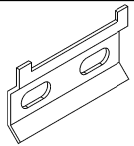


## STEP 21

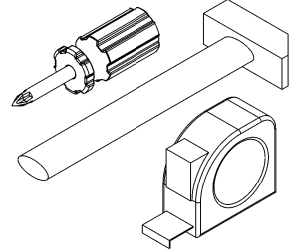
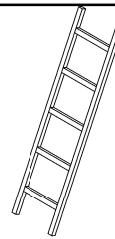
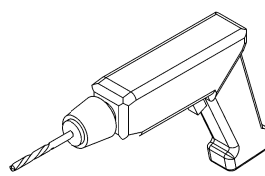
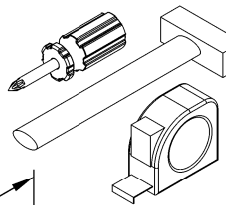




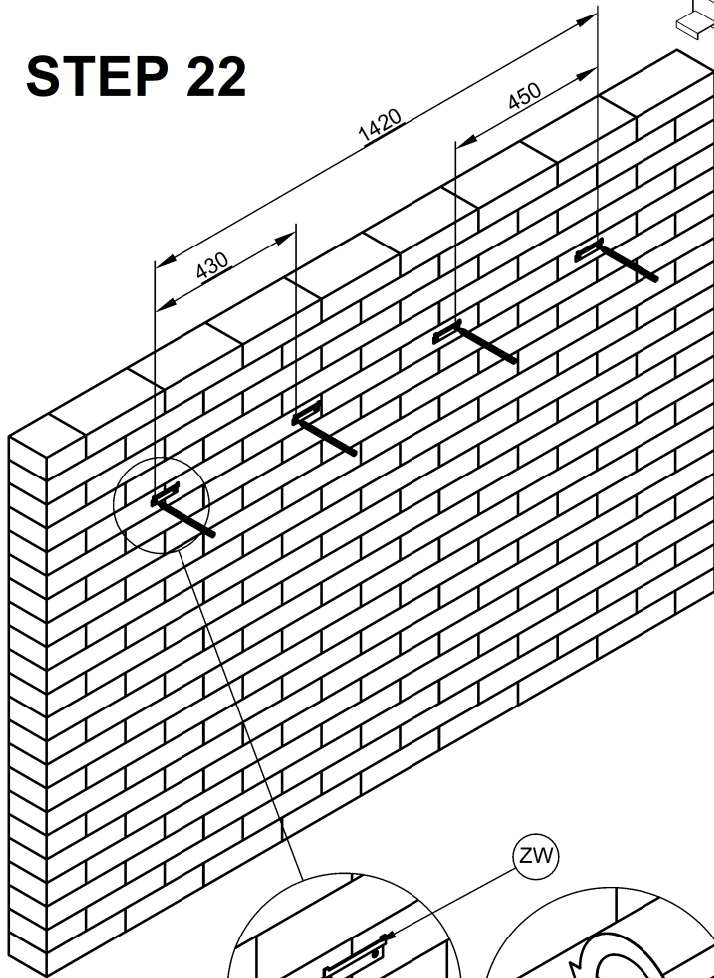
ZW



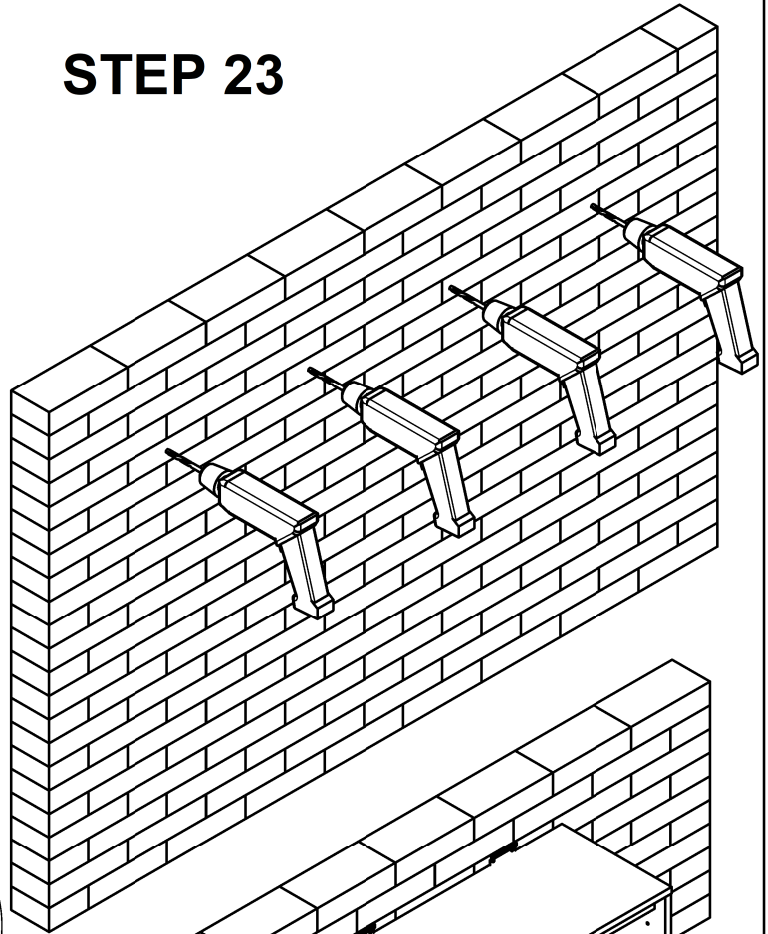
x4



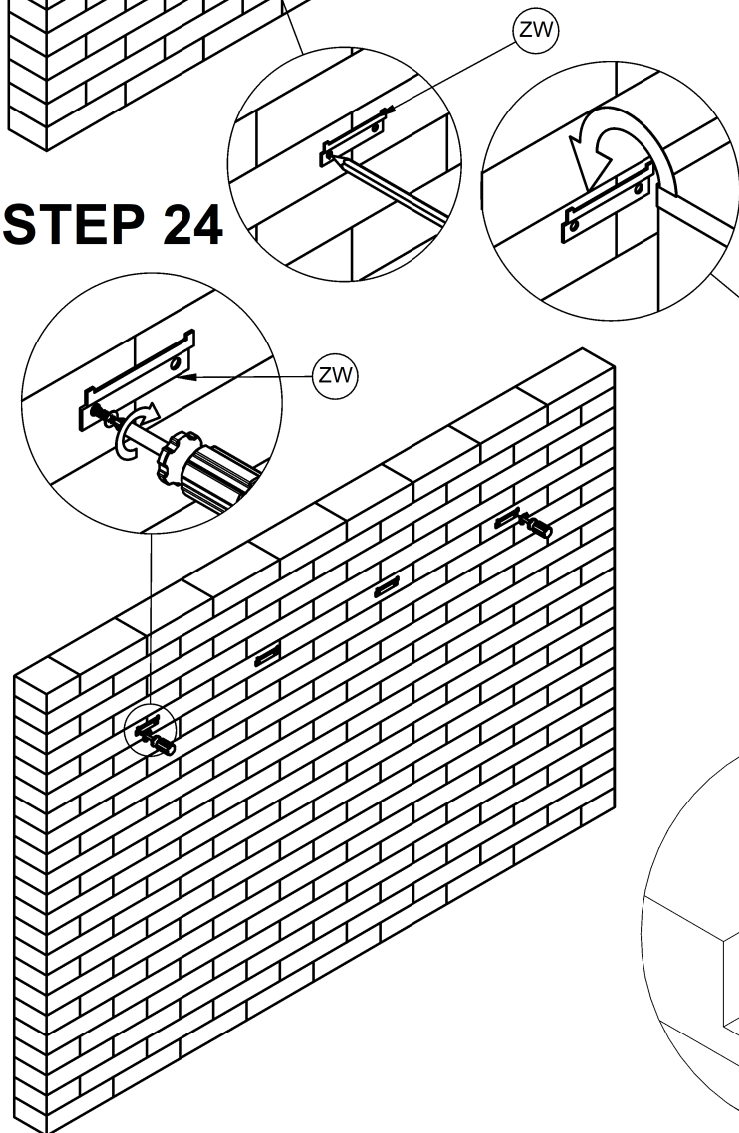
### STEP 22



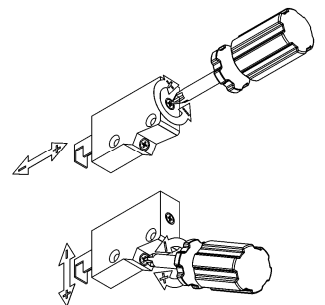
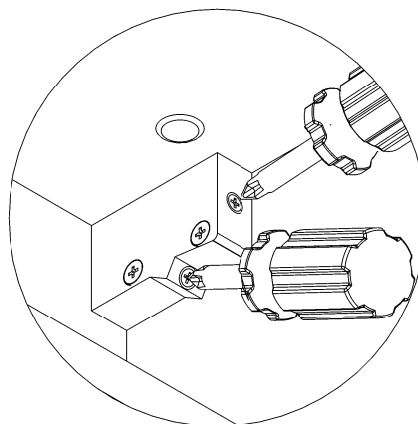
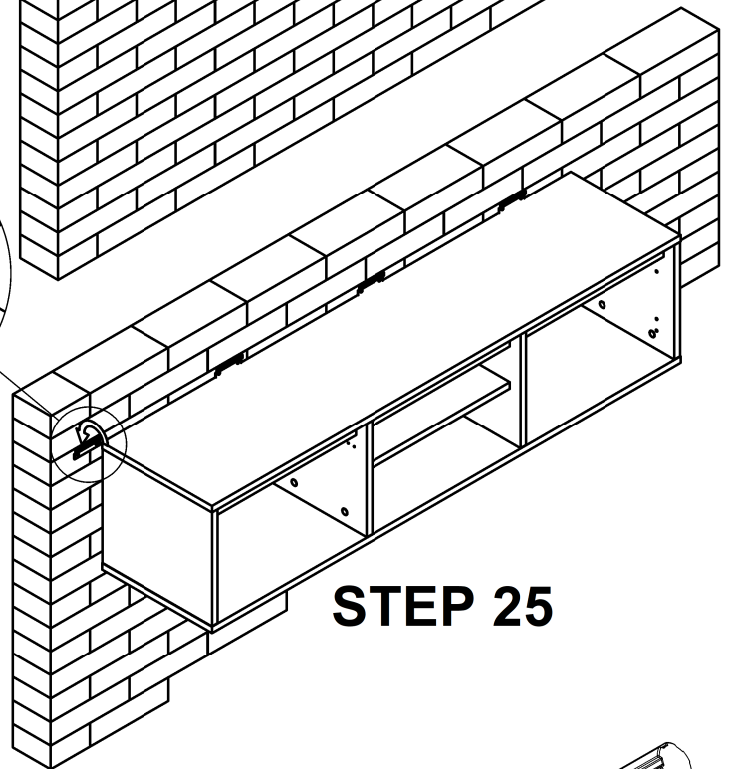
### STEP 23



### STEP 24



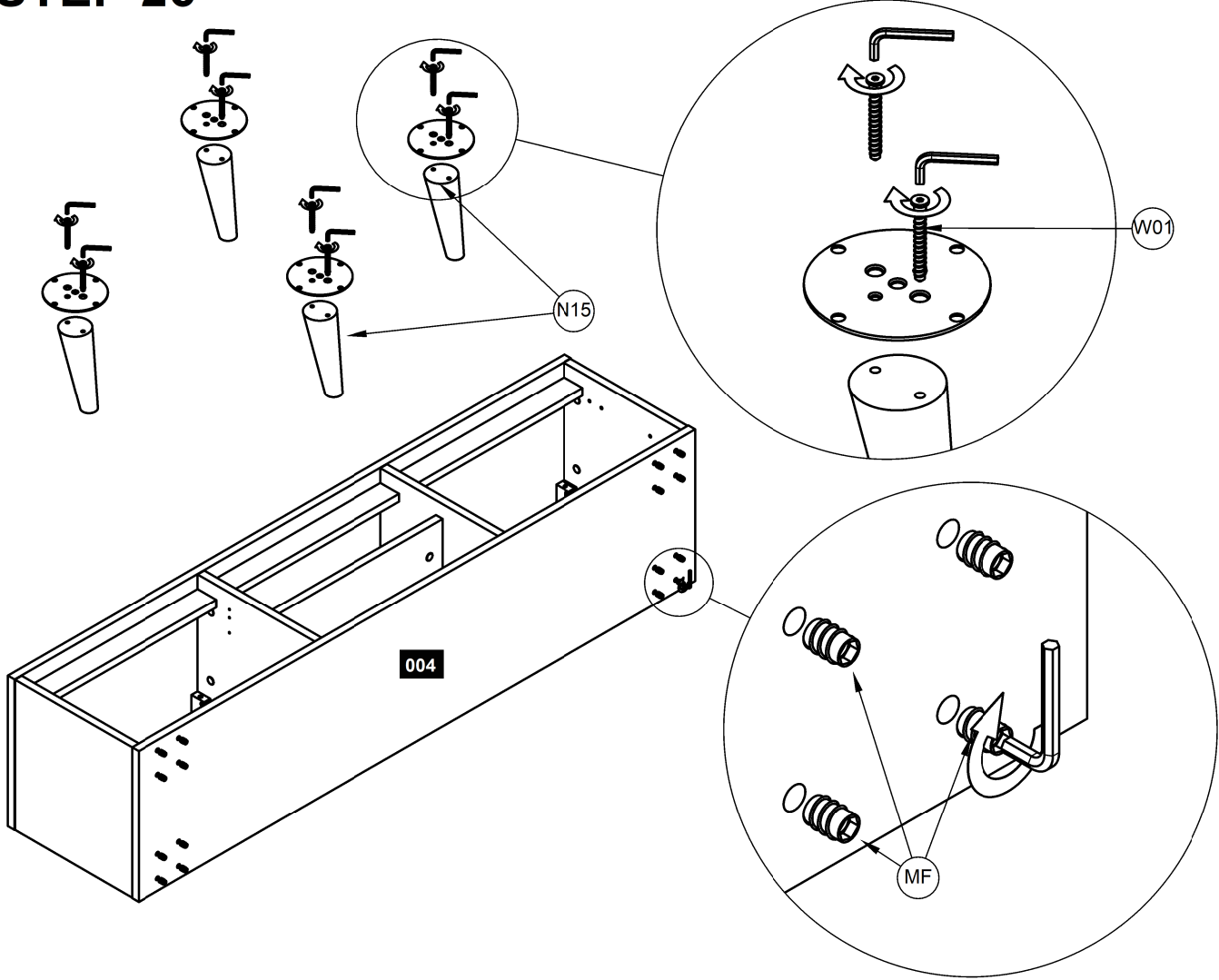
### STEP 25



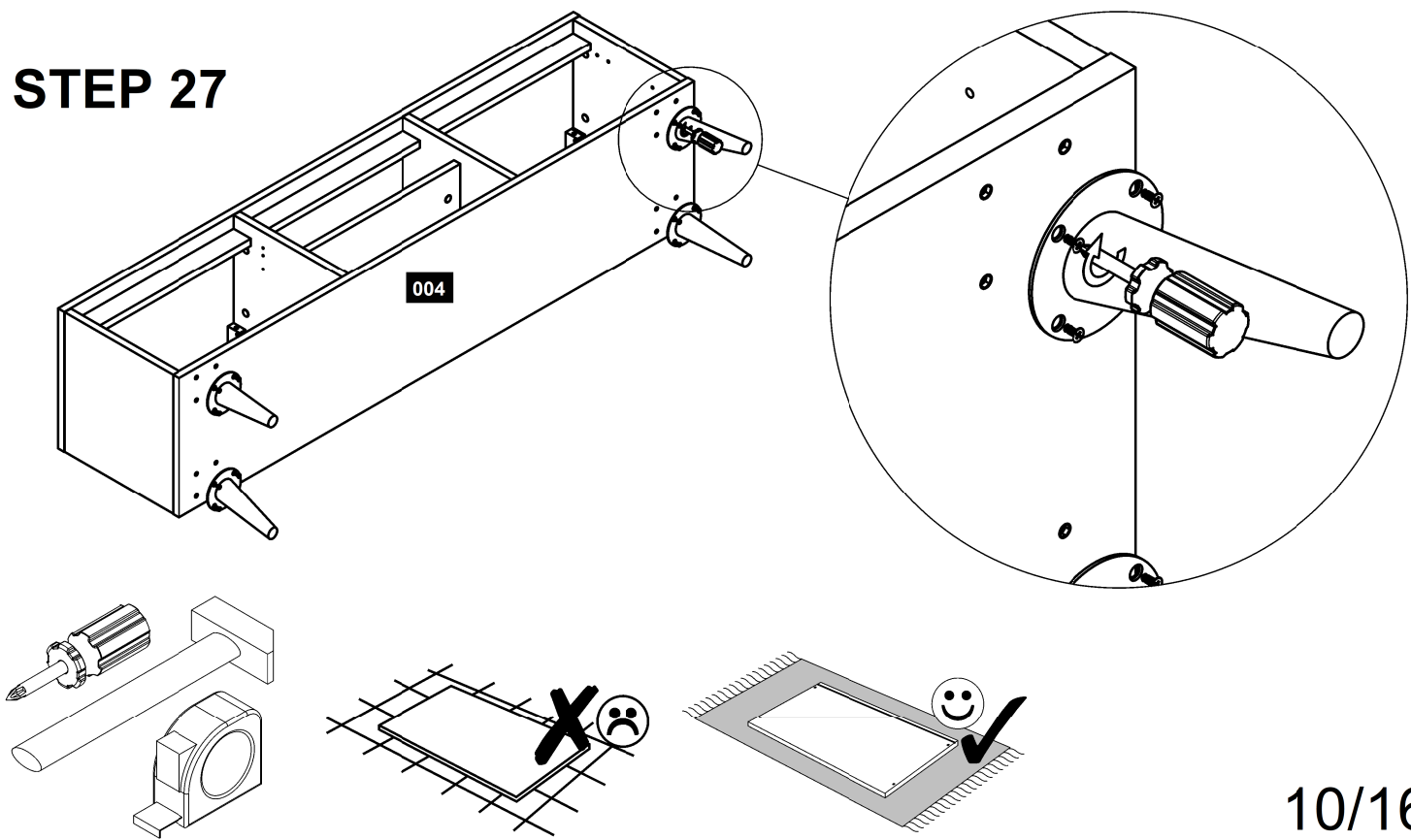
### STEP 34

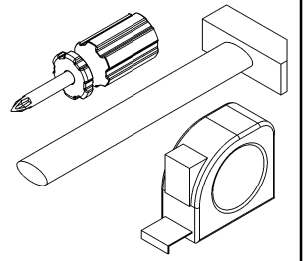
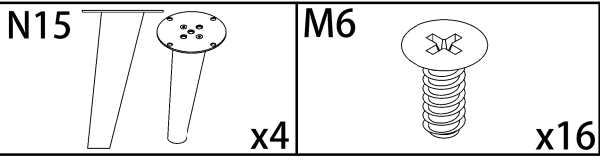
<p>N15</p> <p>x4</p>	<p>KL</p> <p>x1</p>	<p>MF</p> <p>x16</p>	<p>M6</p> <p>x16</p>	<p>W01</p> <p>x8</p>
----------------------	---------------------	----------------------	----------------------	----------------------

## STEP 26

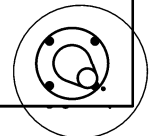
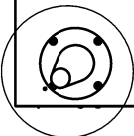
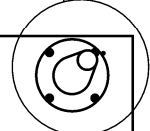
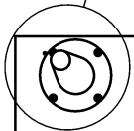
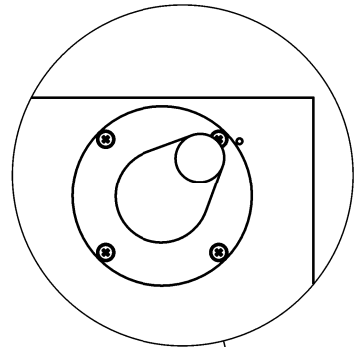
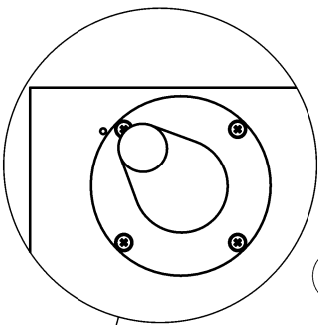
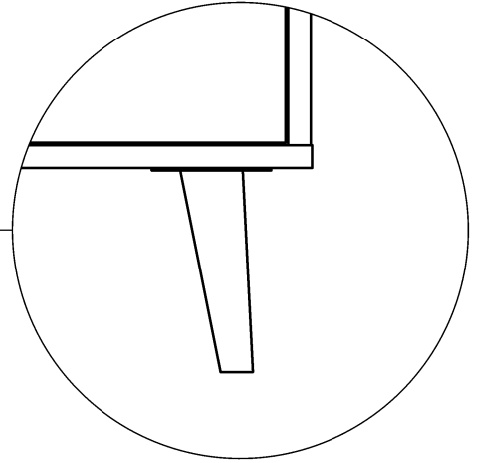
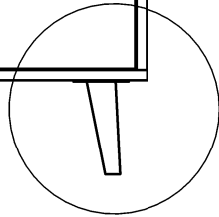
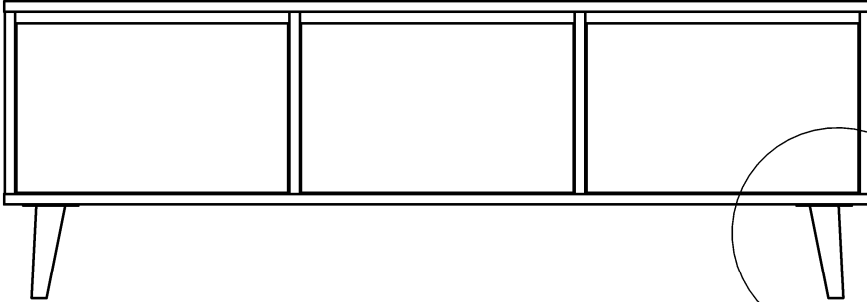


## STEP 27

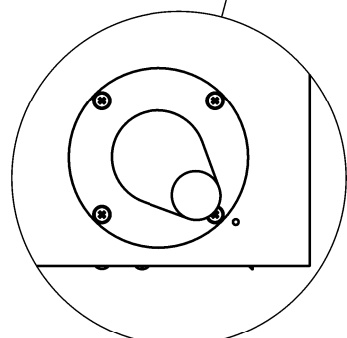
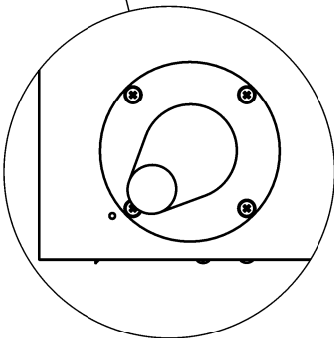




# STEP 28

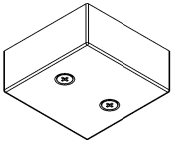


004



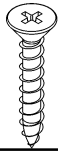
➔ **STEP 30**

S6



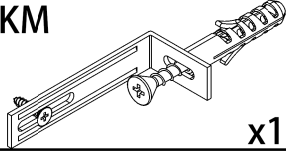
x5 4x30

WS3

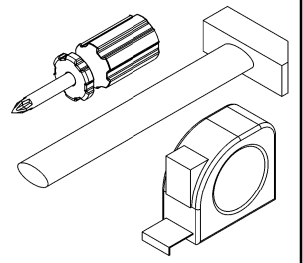


x10

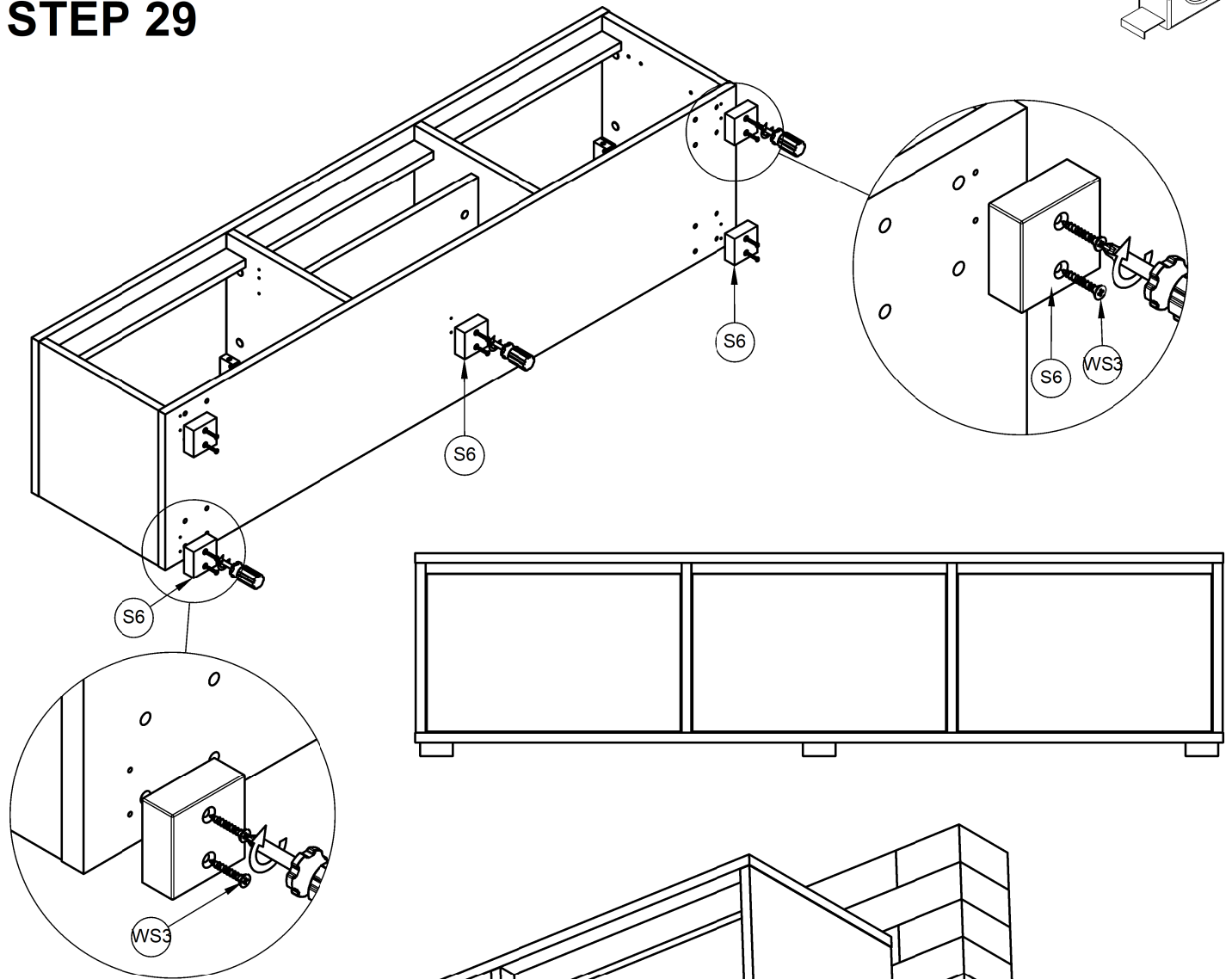
KM



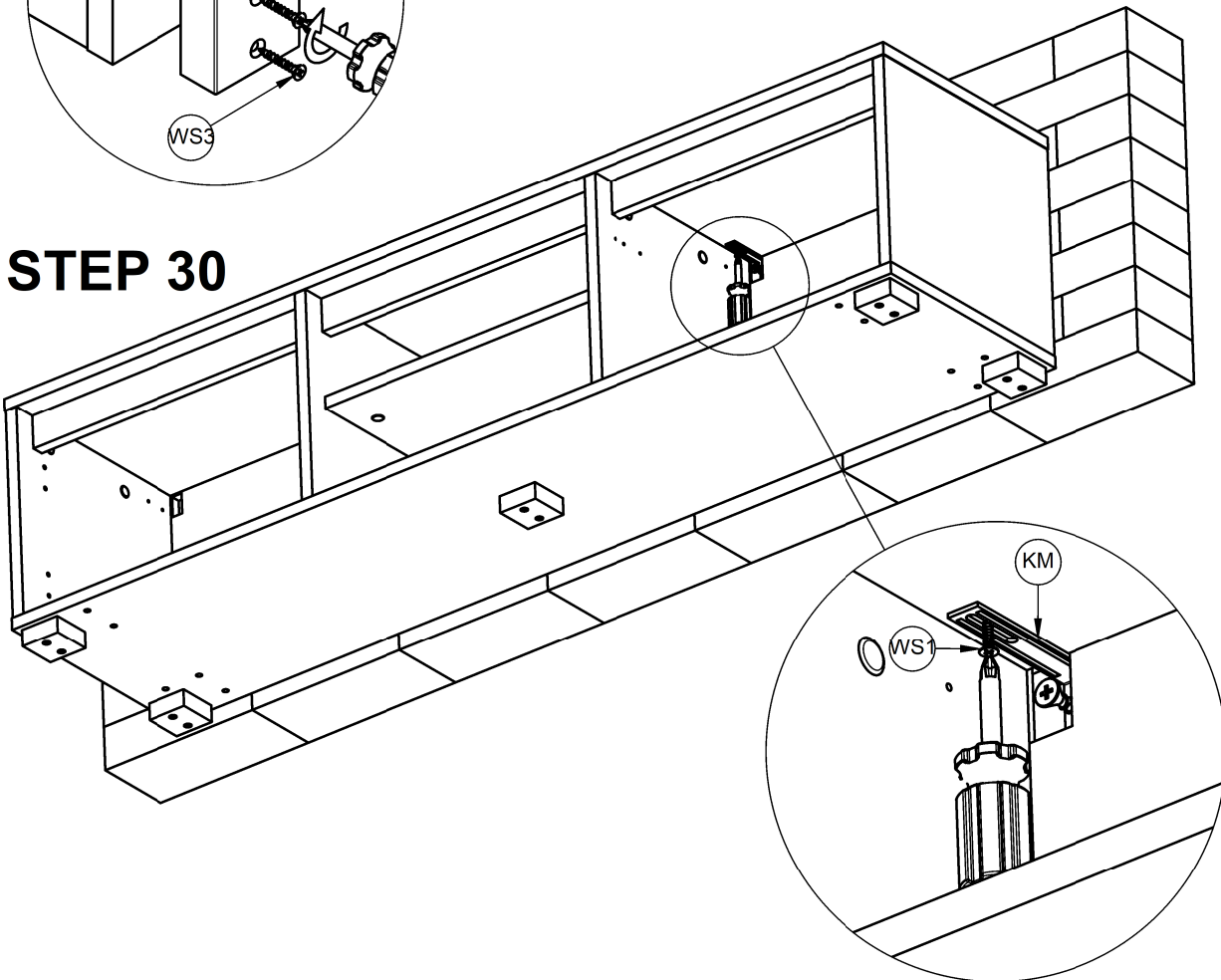
x1

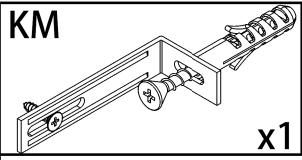


# STEP 29

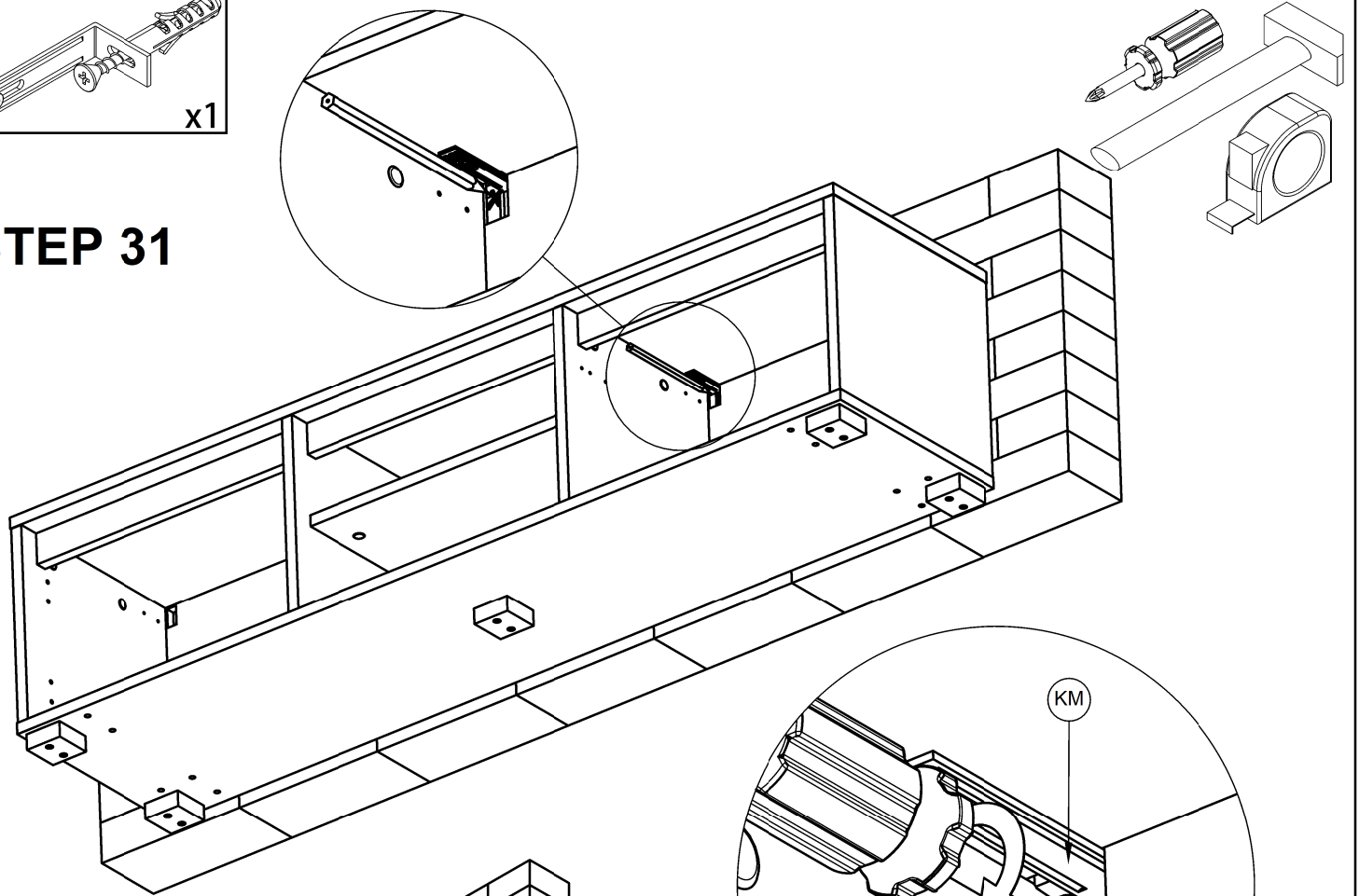


# STEP 30

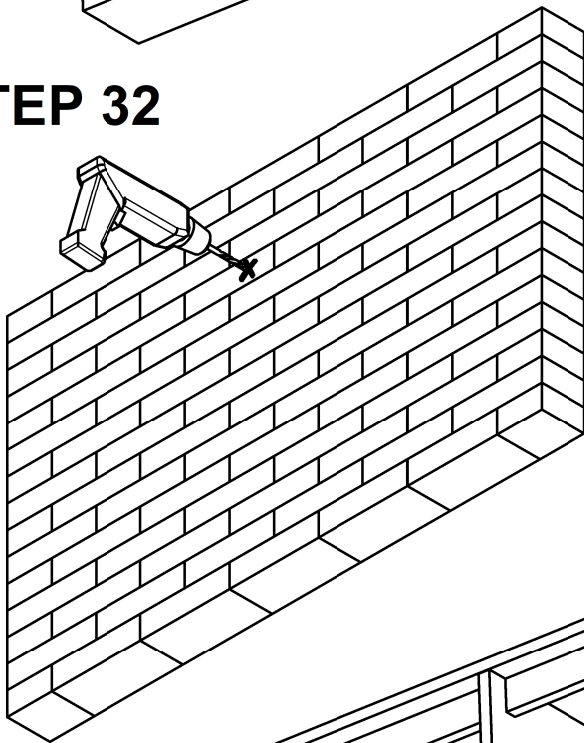




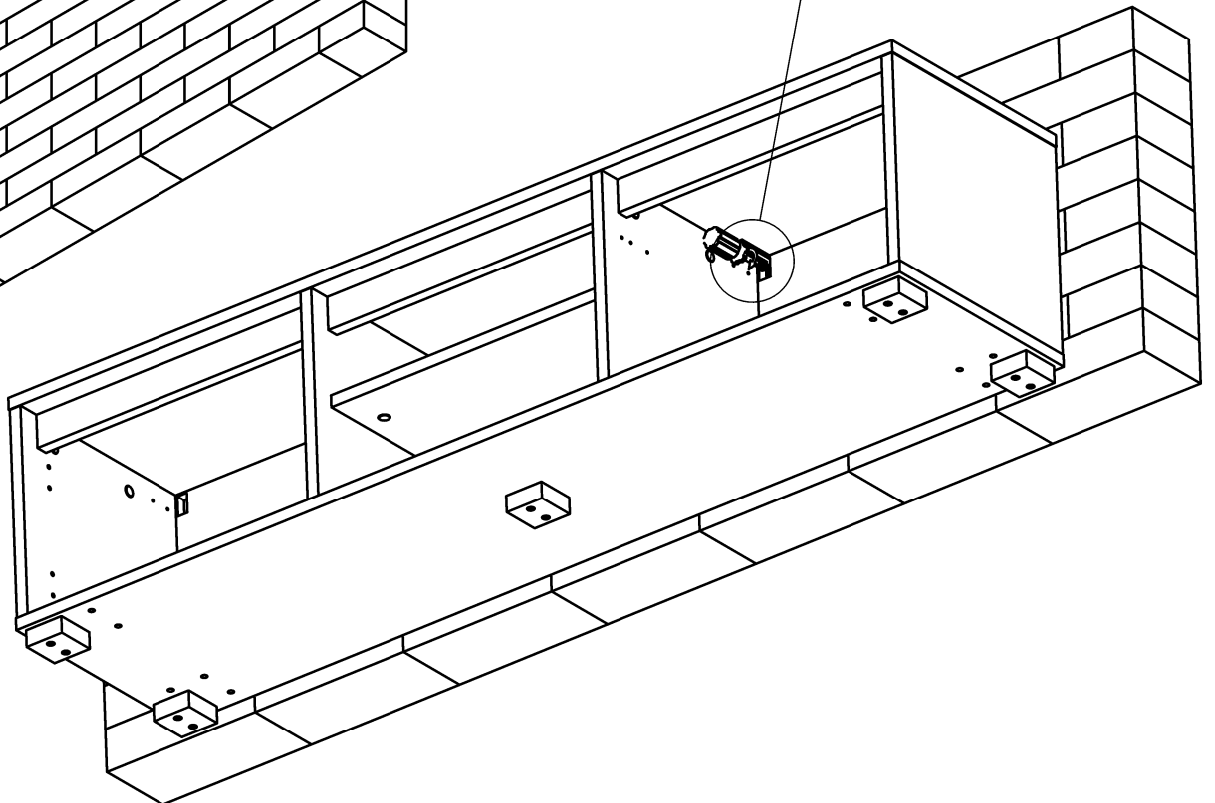
### STEP 31

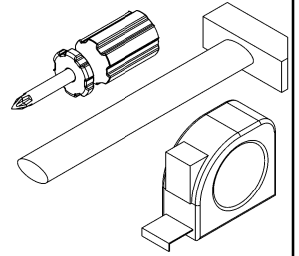
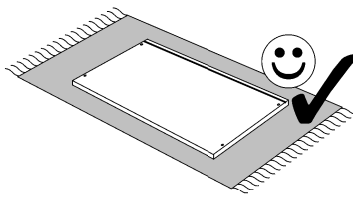
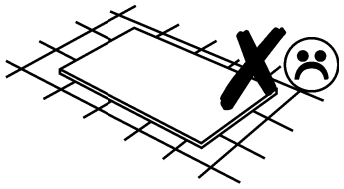
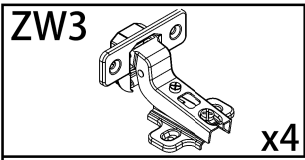


### STEP 32

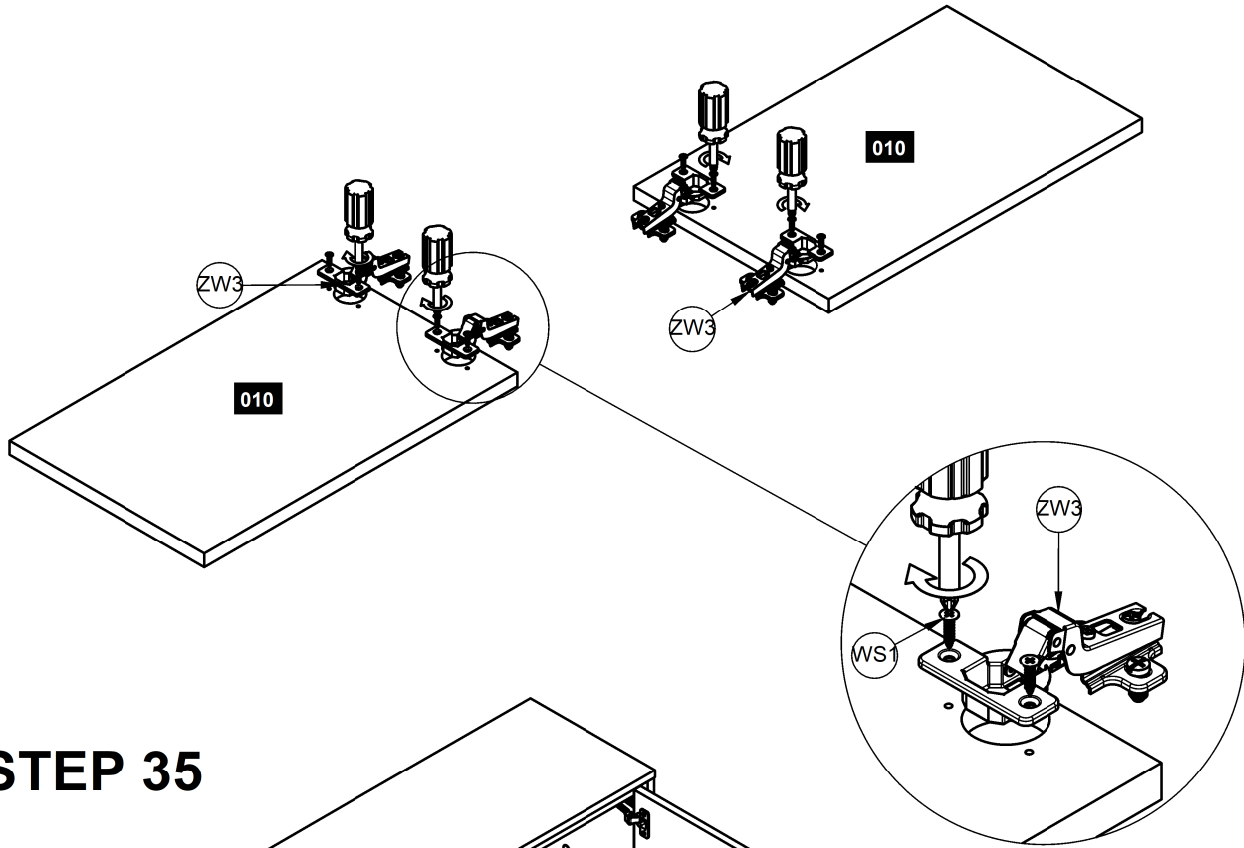


### STEP 33

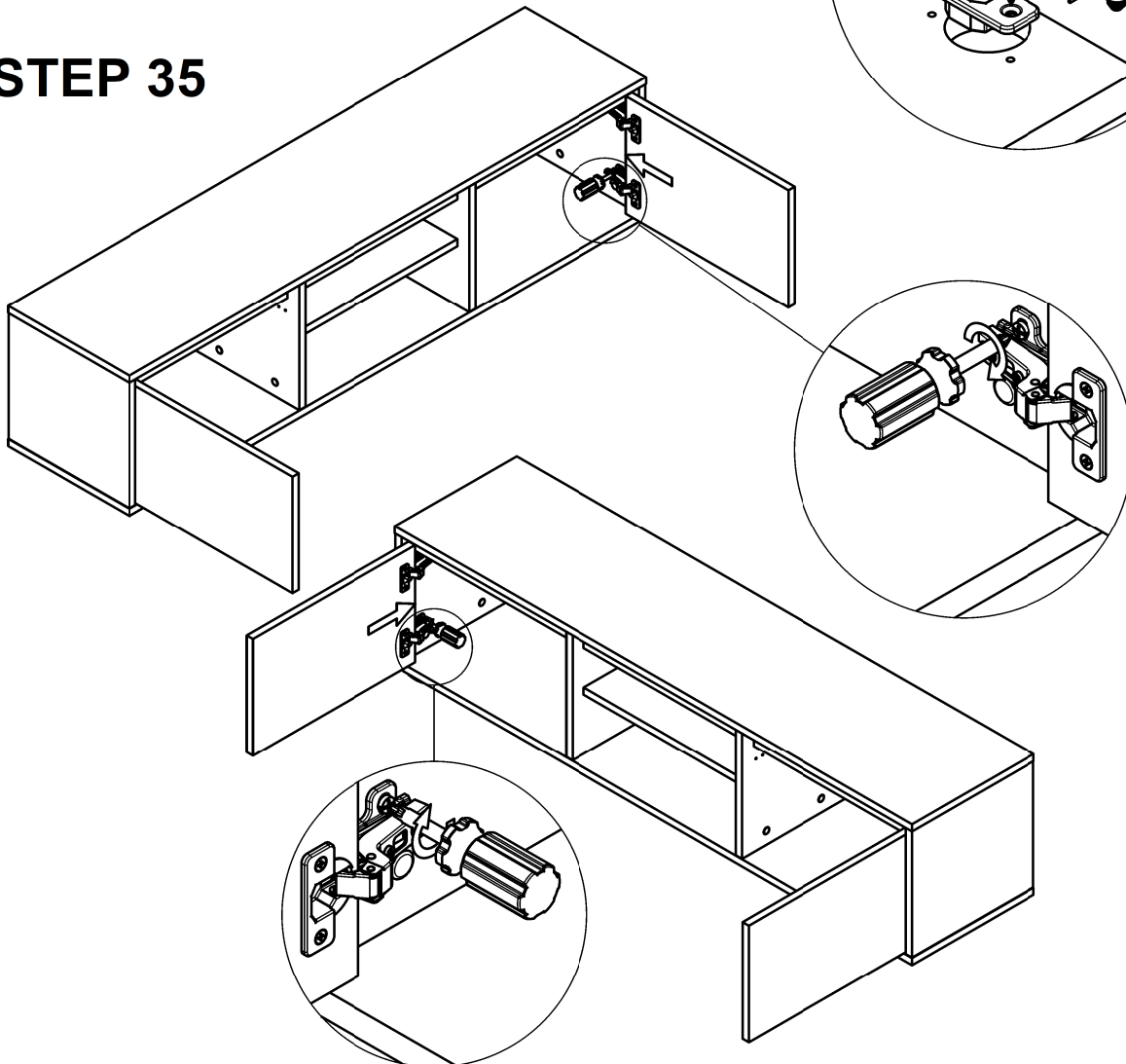


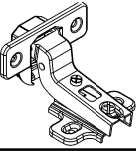
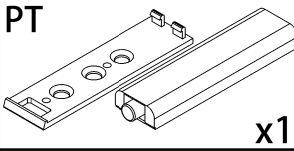

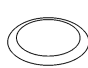
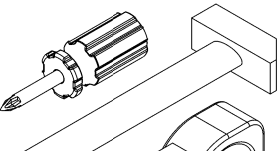


## STEP 34

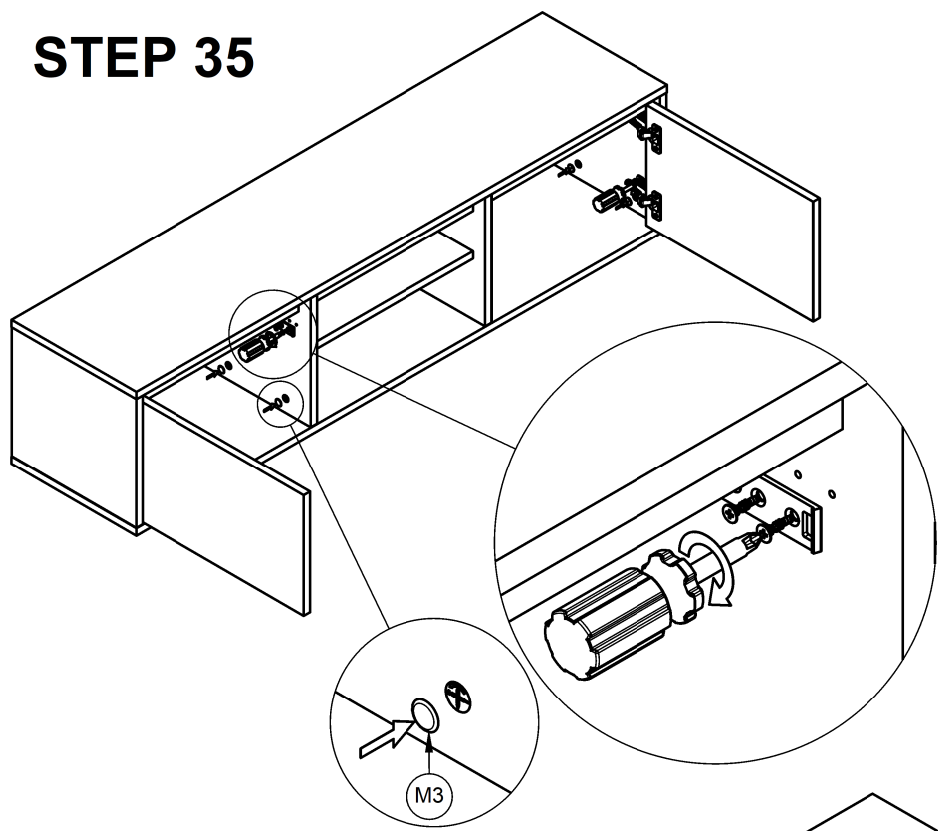


## STEP 35

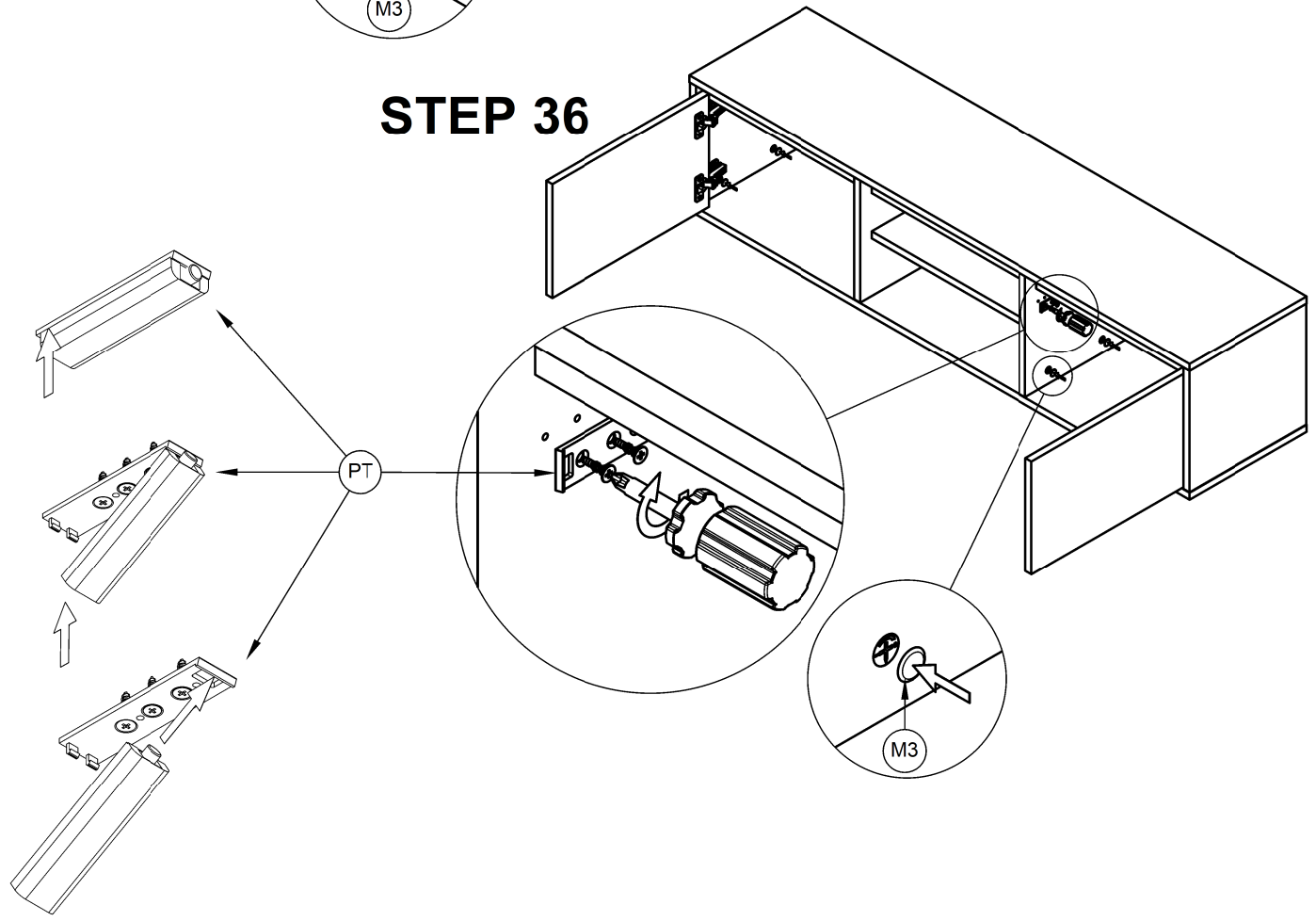


ZW3  x4	PT  x1	WS1  3,5x16 x30	M3  x26	
---	--	--	---	--

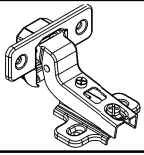
## STEP 35



## STEP 36



ZW3



x4

