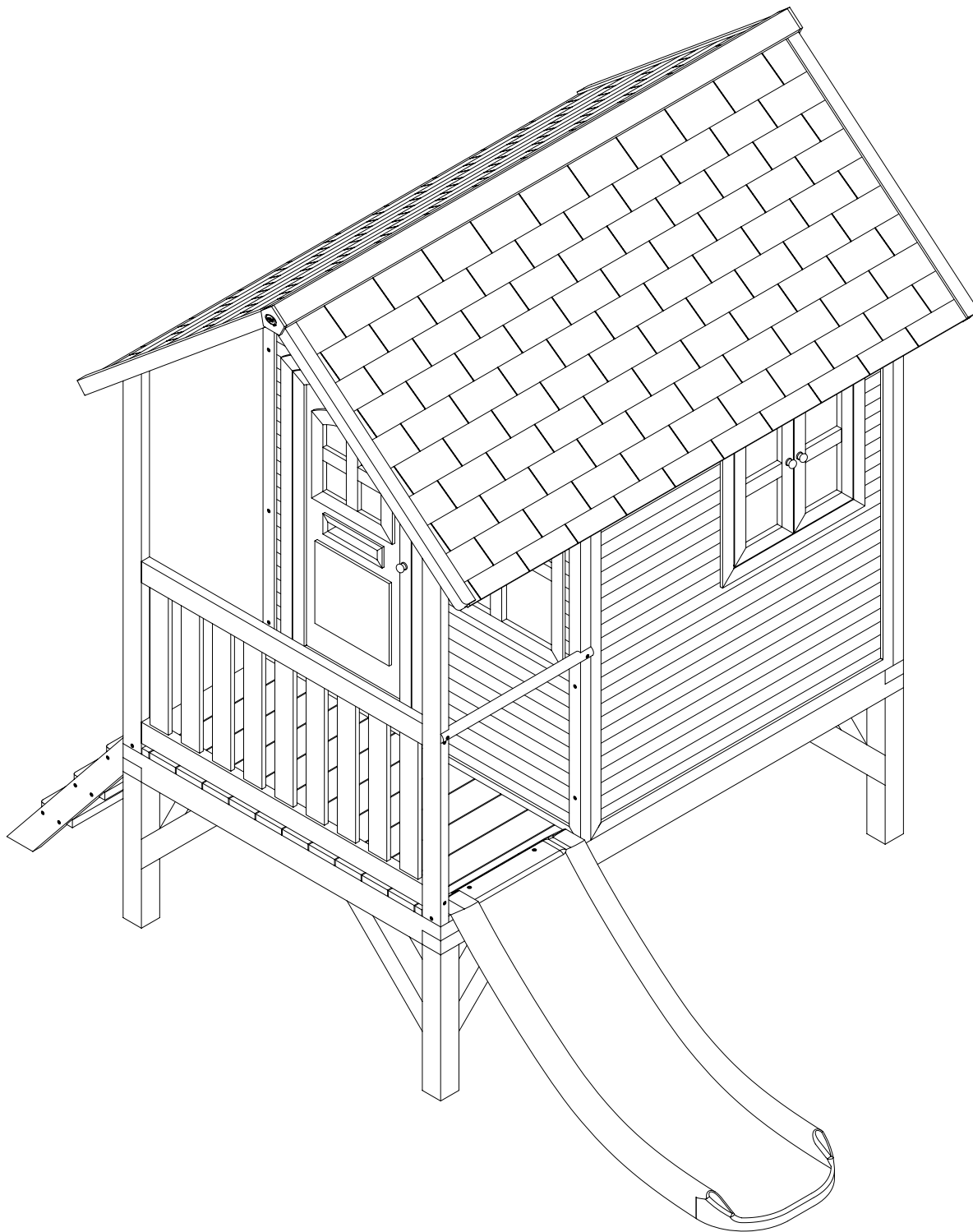
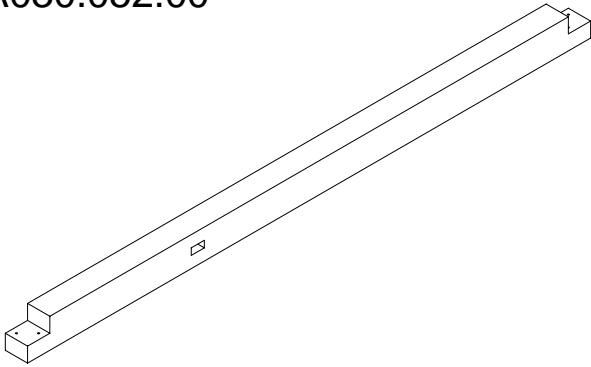


A030.031.00
A030.046.00
A030.047.00
A030.049.00
A030.050.00
A030.052.00

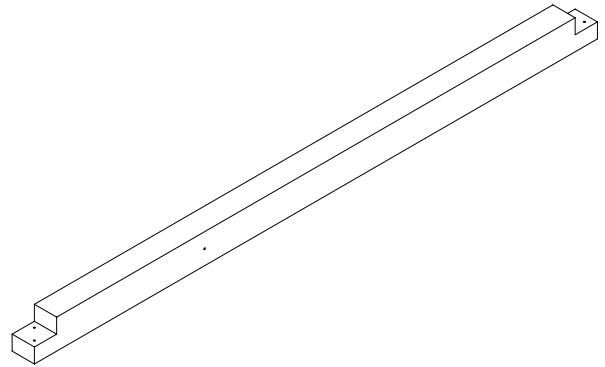




A030.052.00



2

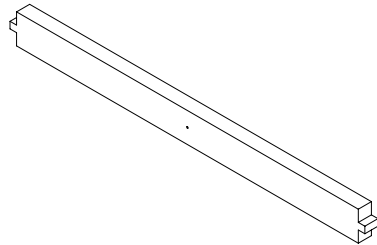


3

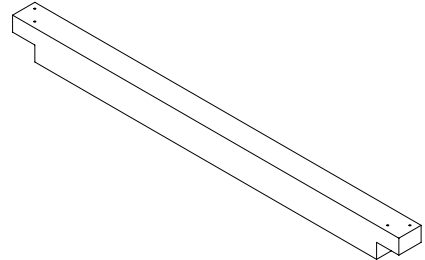


1

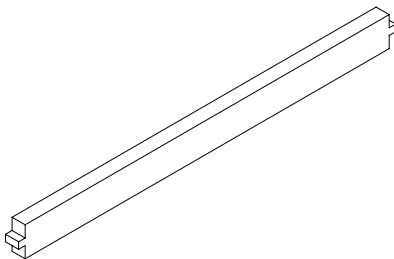
4x



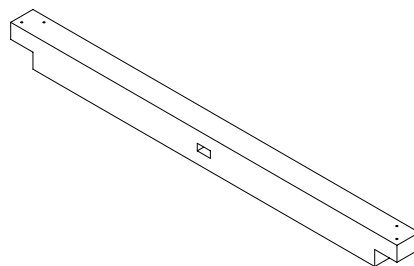
4



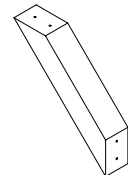
5



6

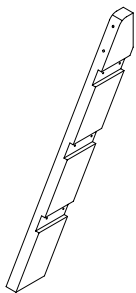


7

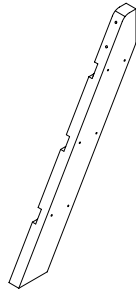


8

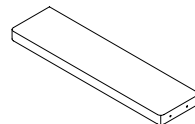
8x



20

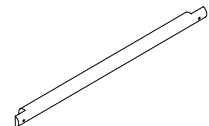


21



22

3x

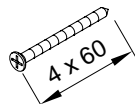


23



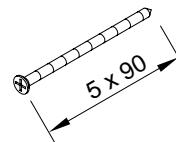
s1

14x



s2

34x

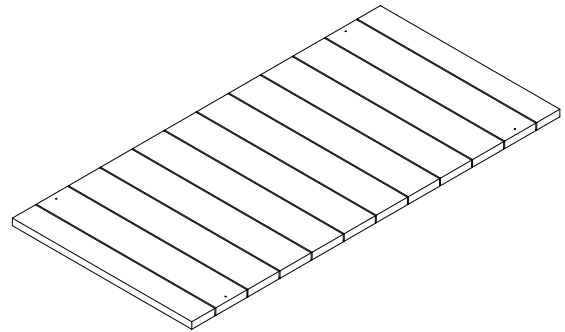
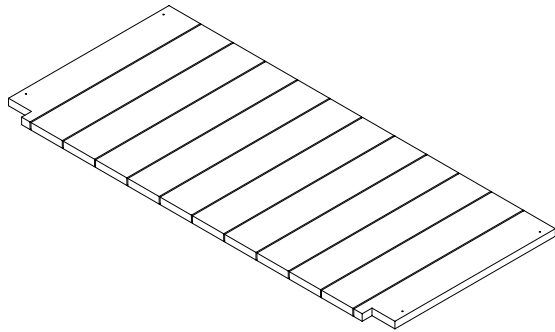


s5

24x



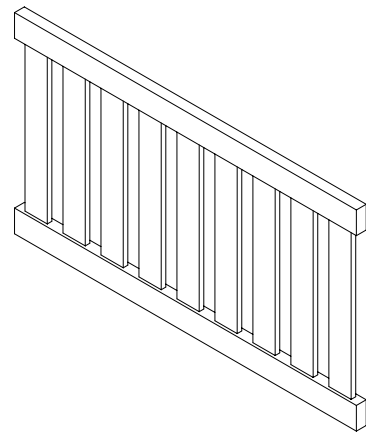
A030.050.00



13

14

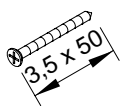
2x



18

2x

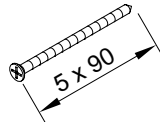
19



s1

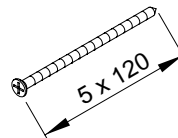
16x

s5



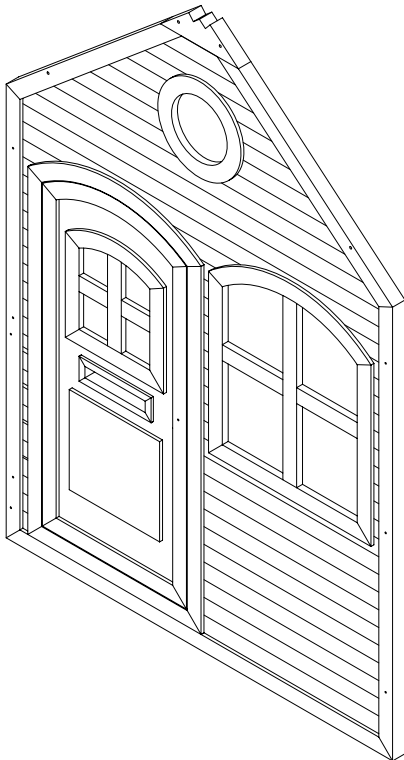
2x

s7

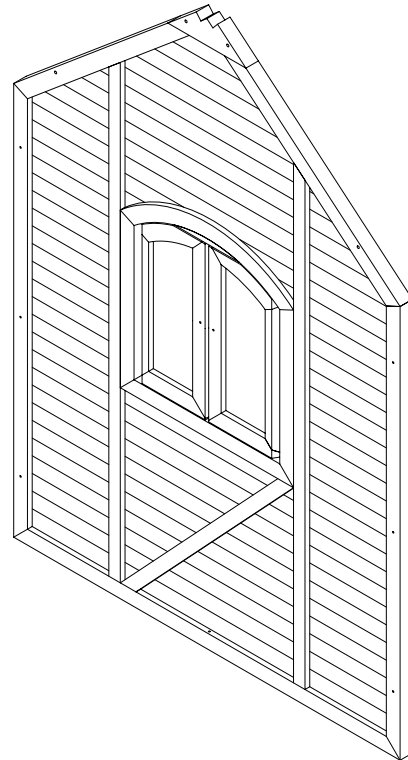


4x

A030.046.00



9



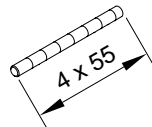
11



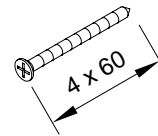
12

14x

t1



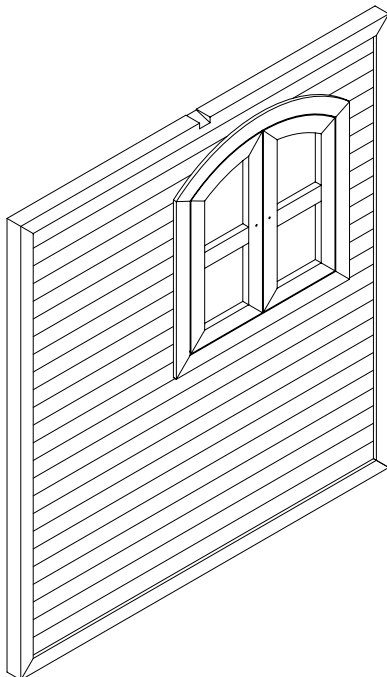
7x



s2

16x

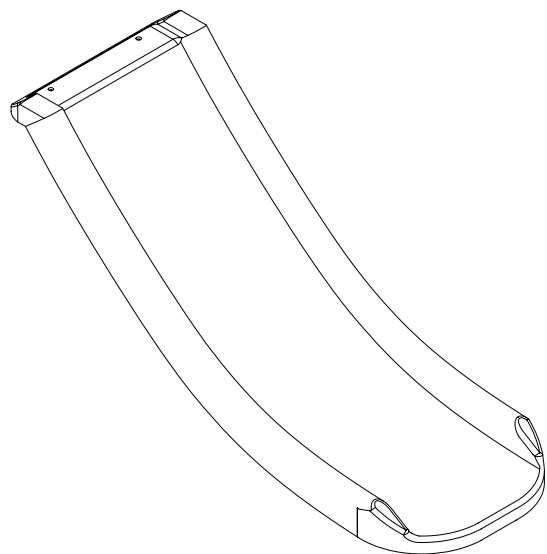
A030.047.00



10

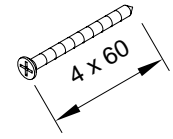
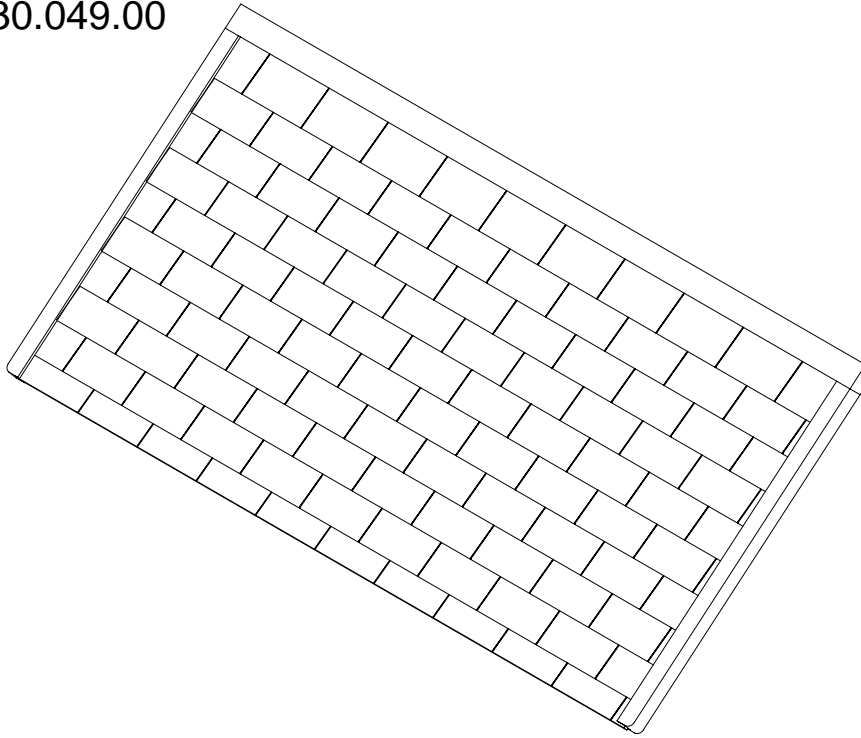
2x

A030.031.00



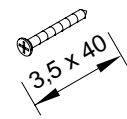
24

A030.049.00



s2

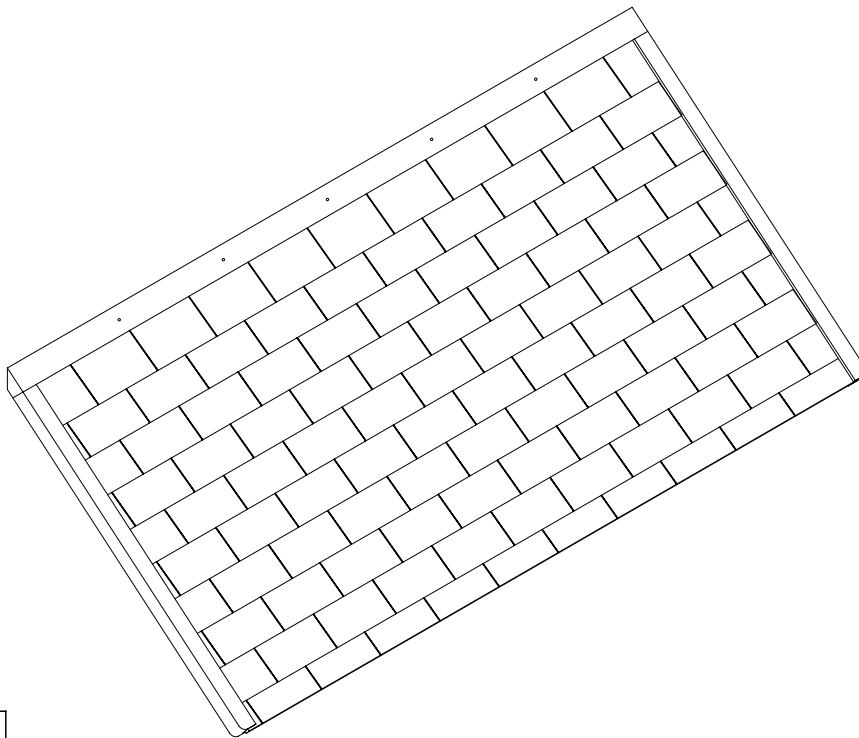
8x



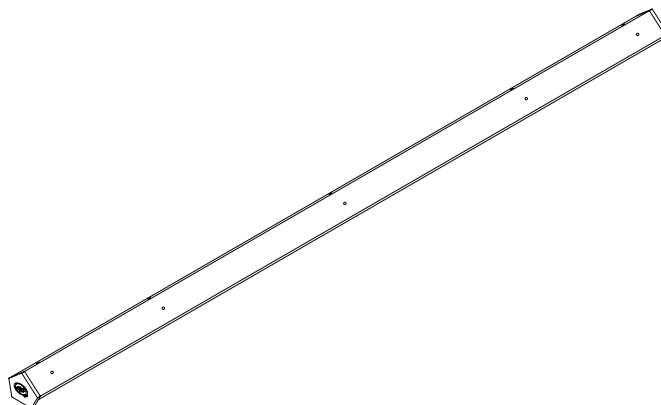
s3

15x

15




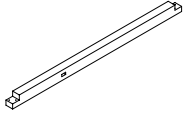
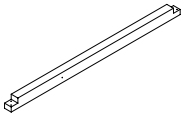
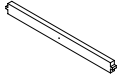
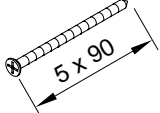
16



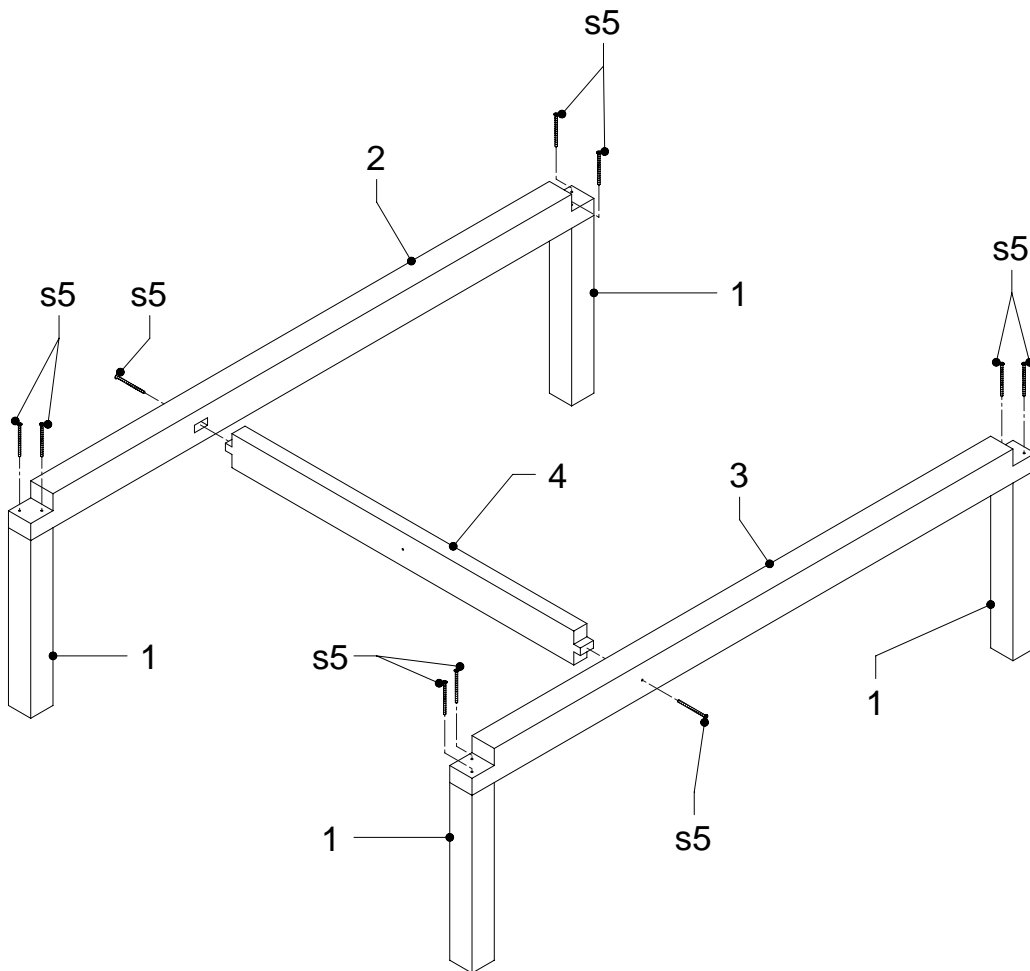
17



Tom

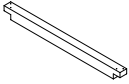
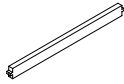
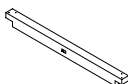

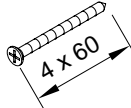
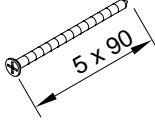
						
1	4x	2	3	4	s5	10x

A030.052.00

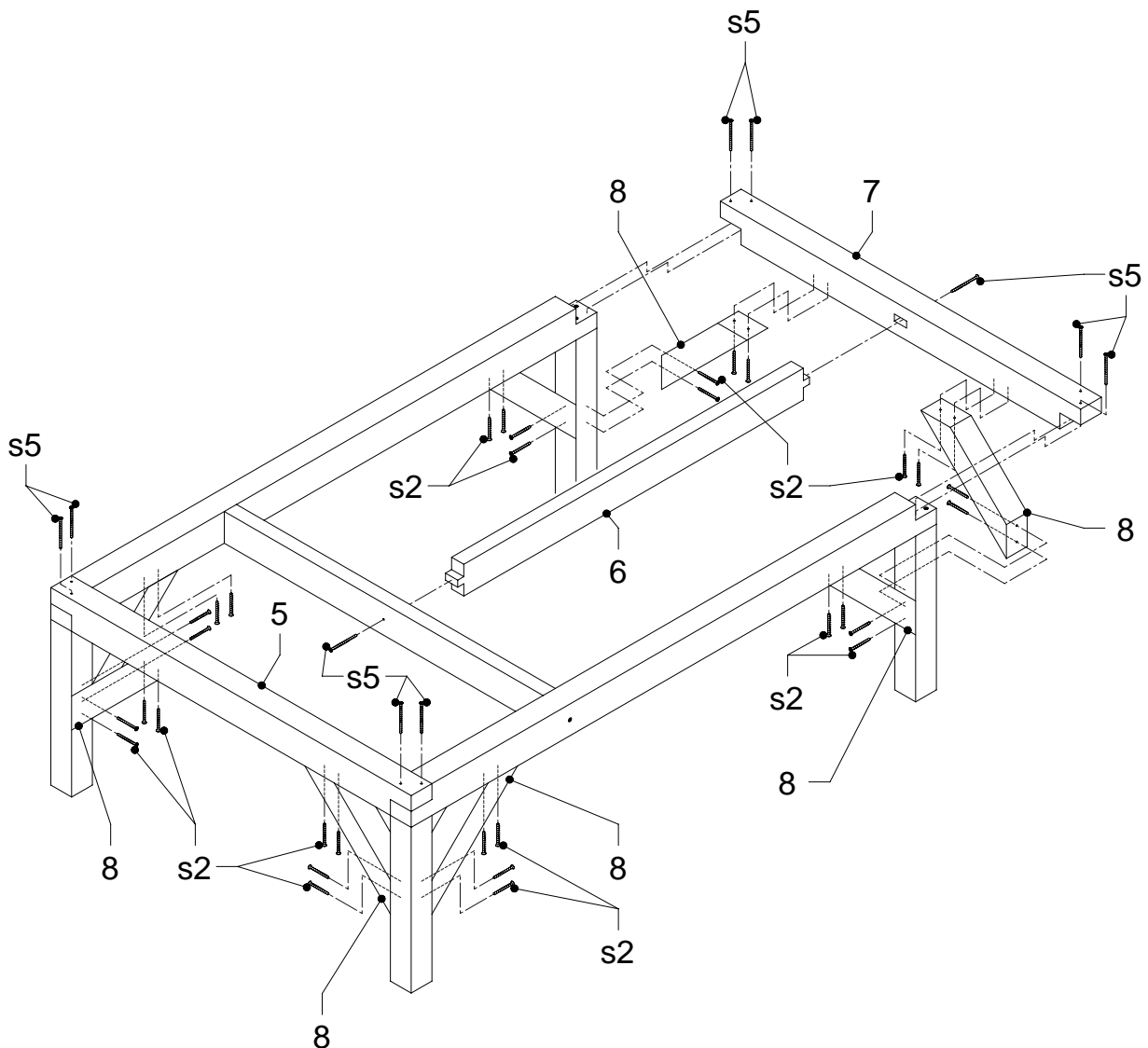




Tom


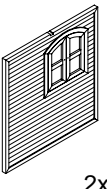
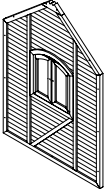
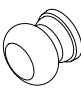
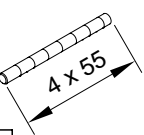
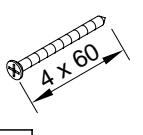
					
5	6	7	8	8x s2	32x s5

A030.052.00

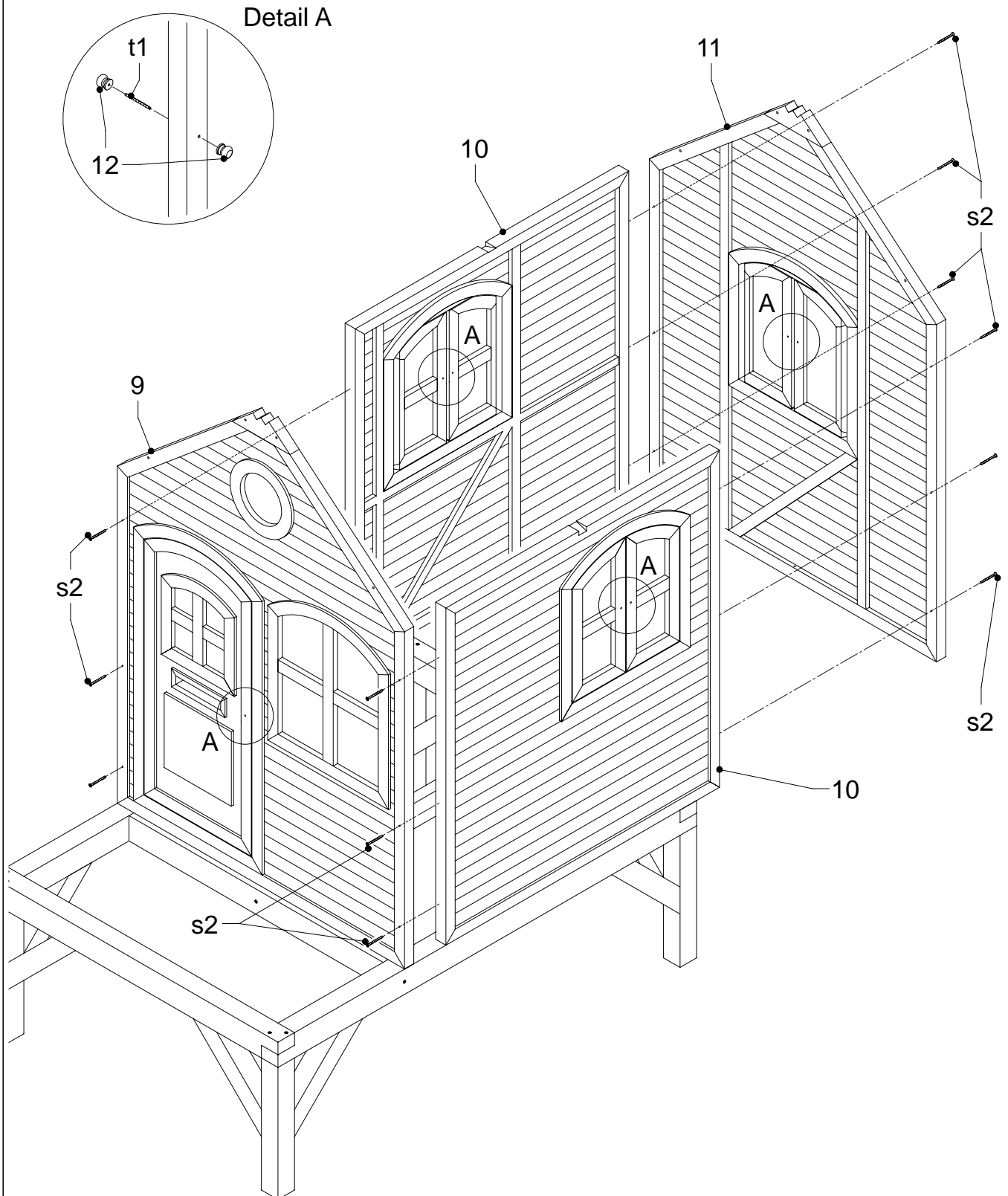


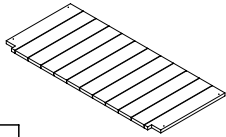


Tom

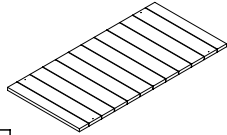
									
9	10	2x	11	12	14x	t1	7x	s2	12x

A030.046.00 + A030.047.00





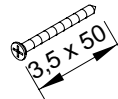
13



14

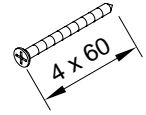
2x

s1



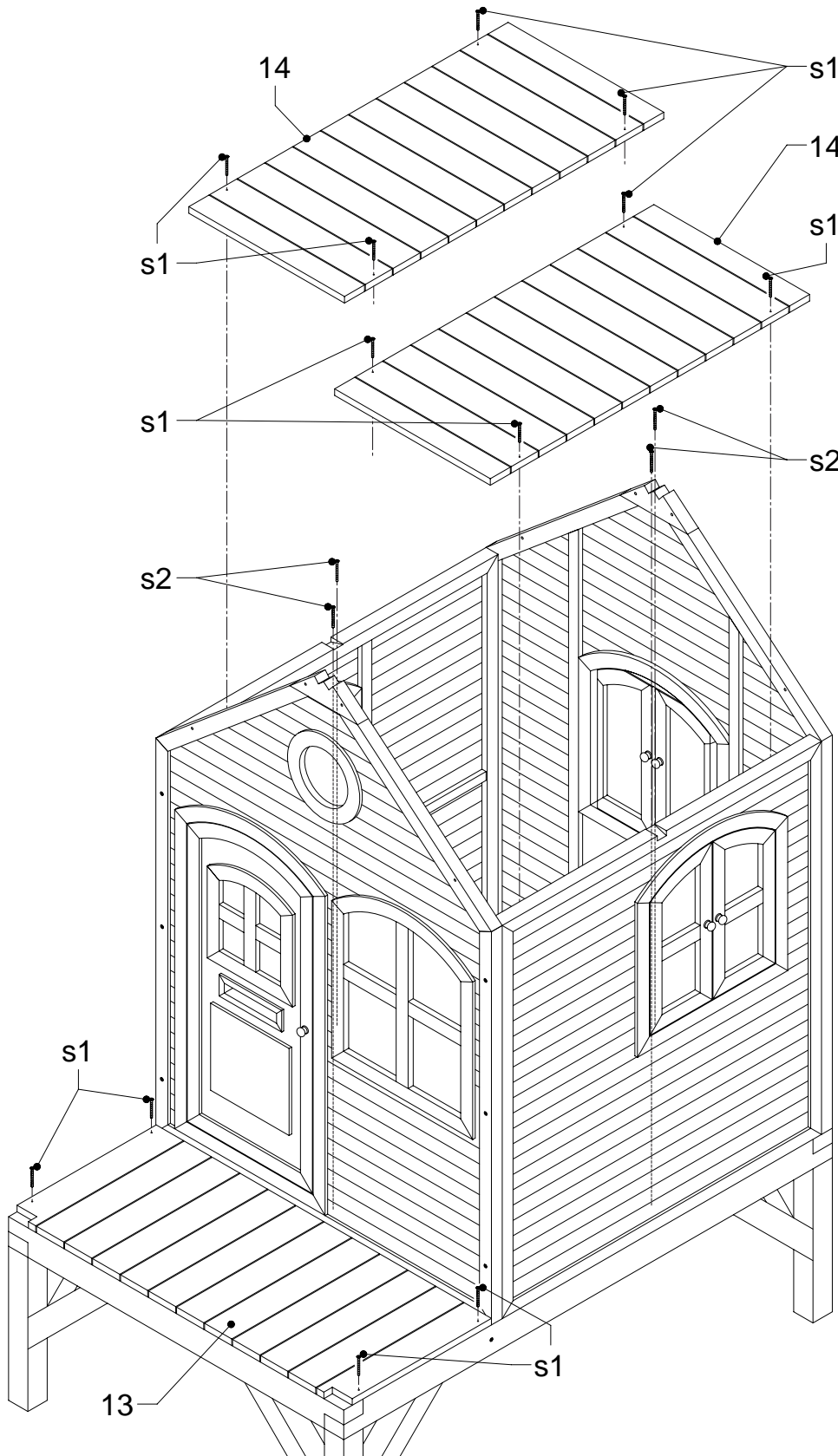
12x

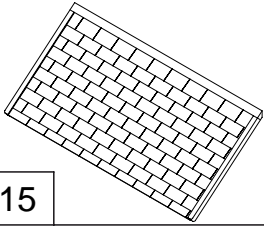
s2



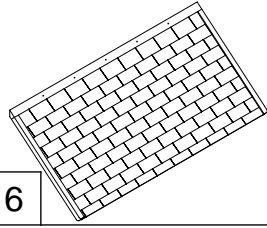
4x

A030.050.00

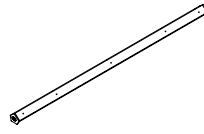




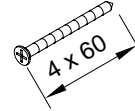
15



16

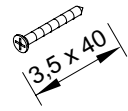


17



s2

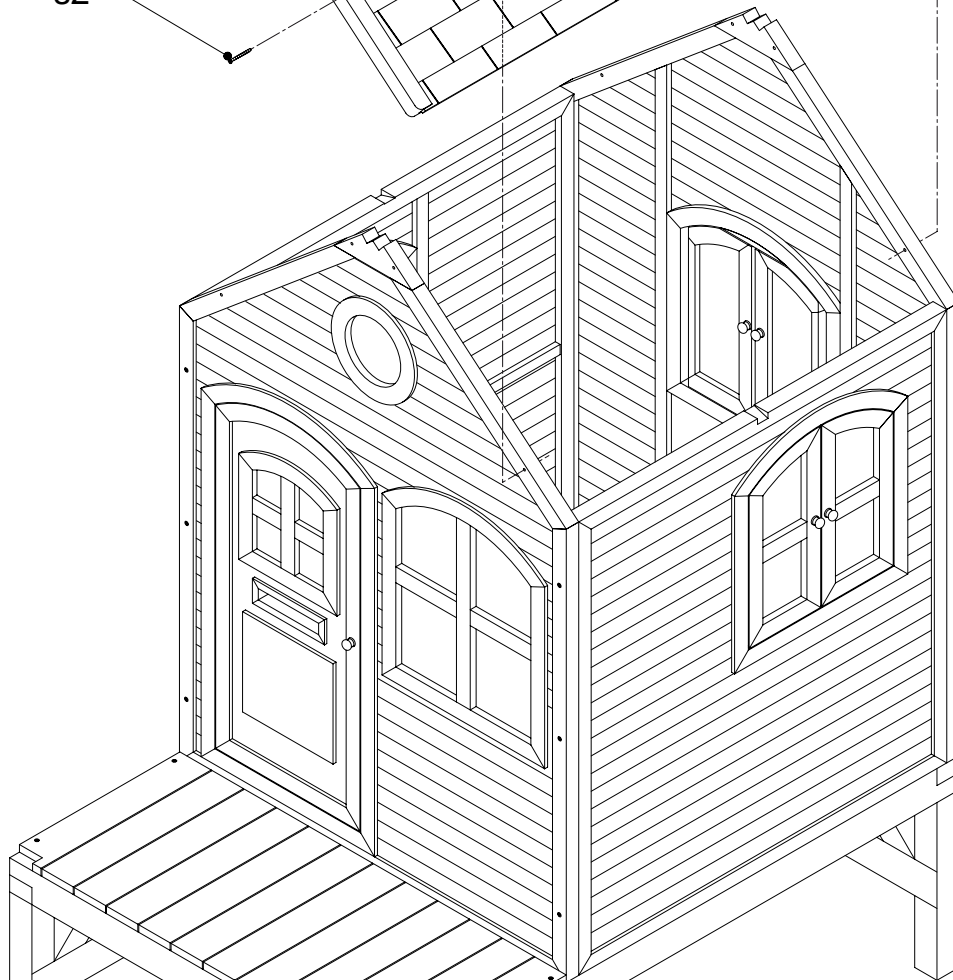
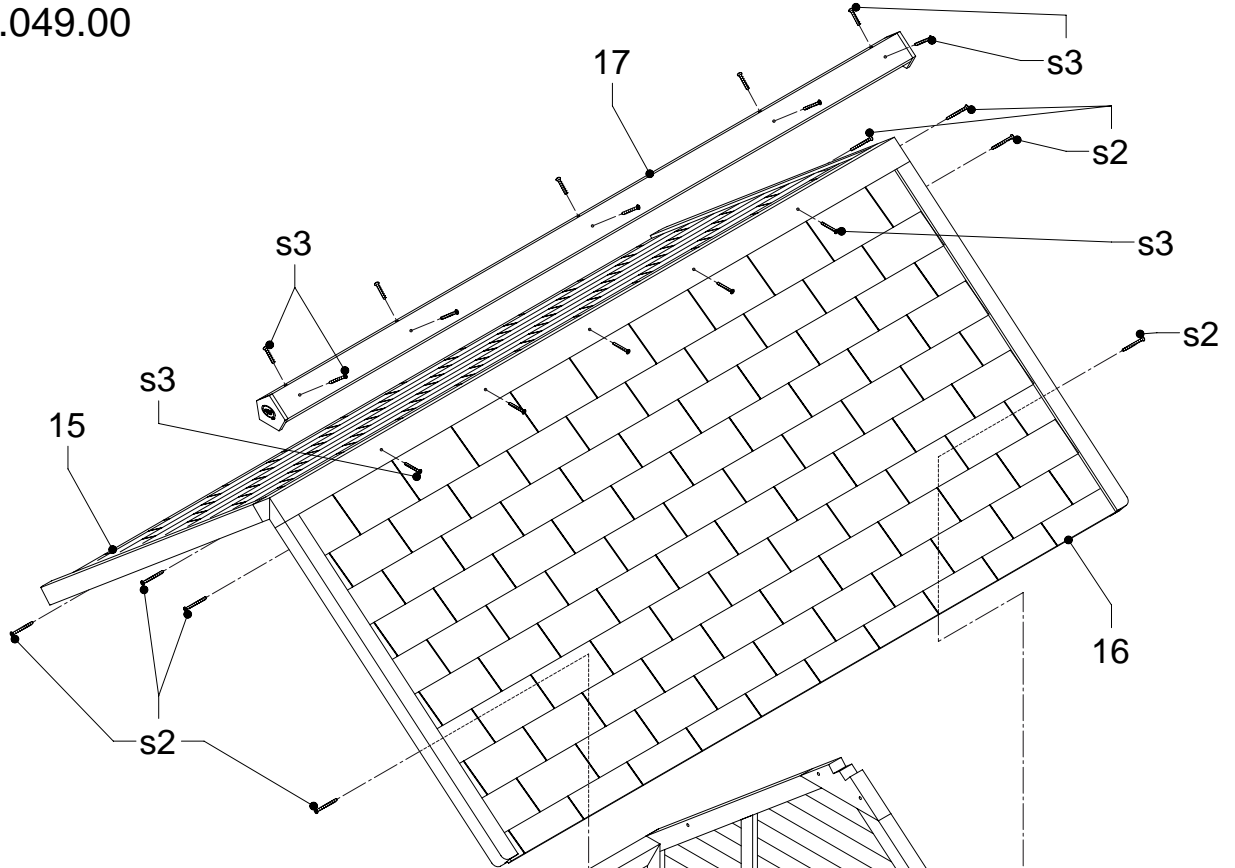
8x


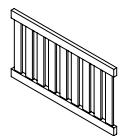
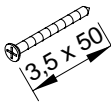
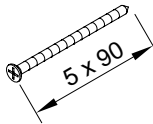
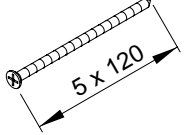


s3

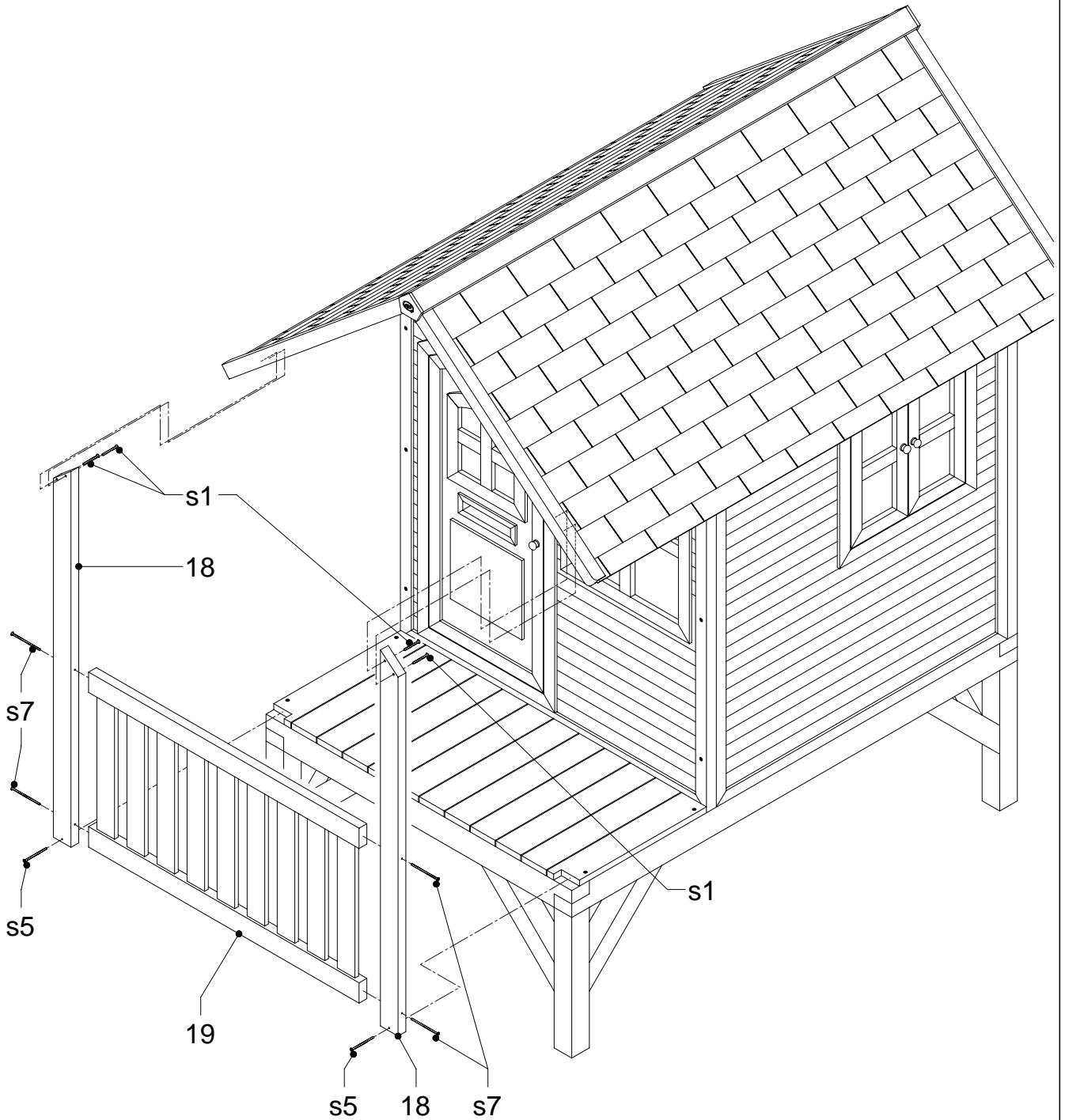
15x

A030.049.00



					
18	2x 19	s1	4x s5	2x s7	4x

A030.050.00





20	21	22	3x	23	24	s1	14x	s2	2x	s5	4x

A030.031.00 + A030.052.00

