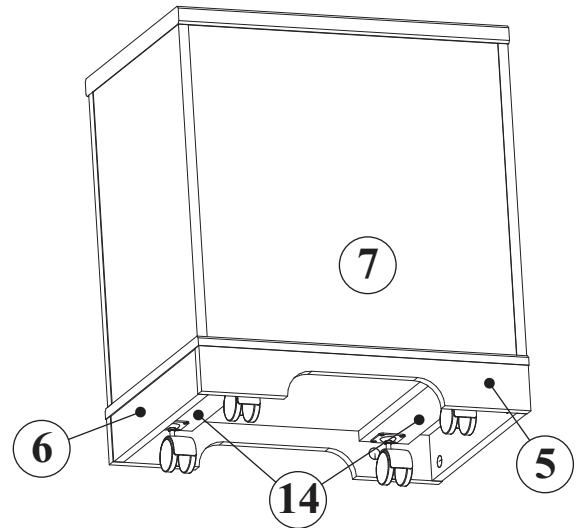
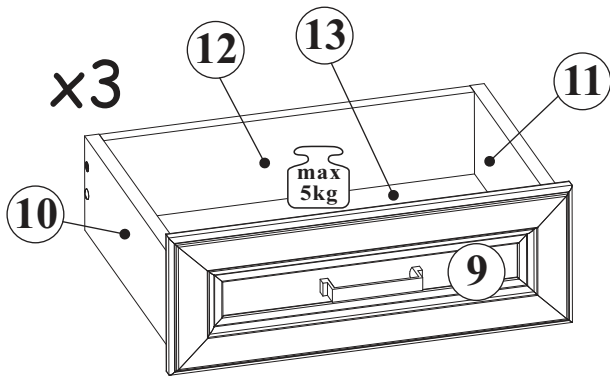
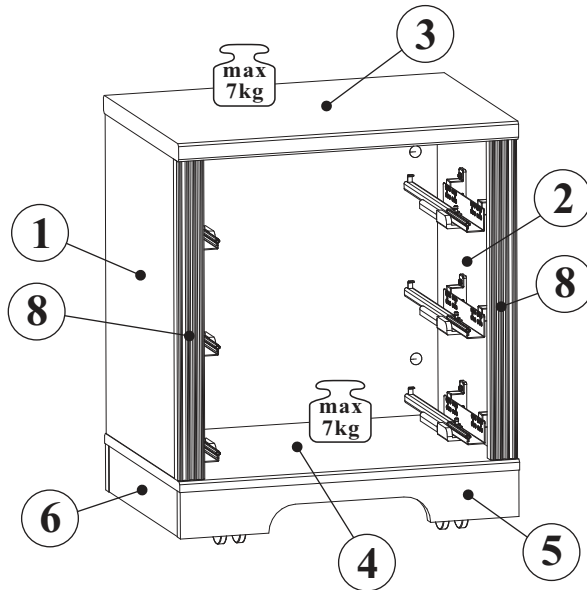
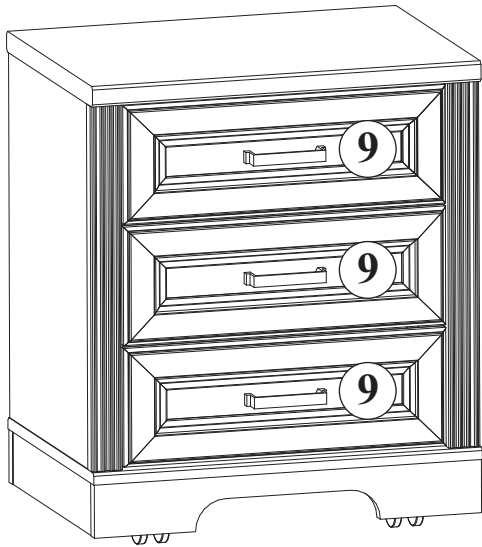
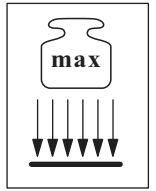
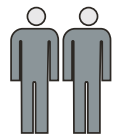


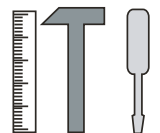
JASMIN 5K 21--16

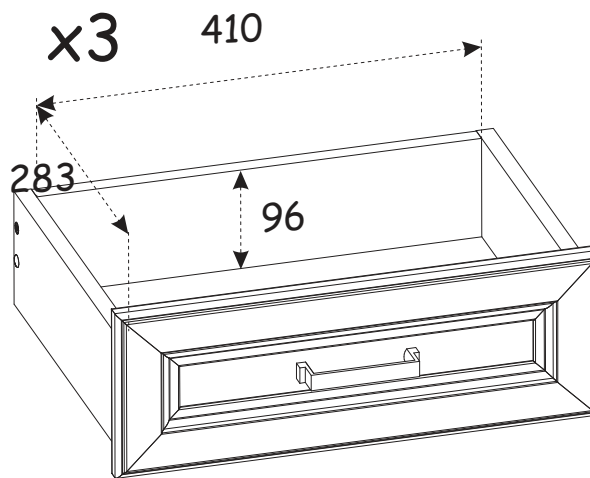
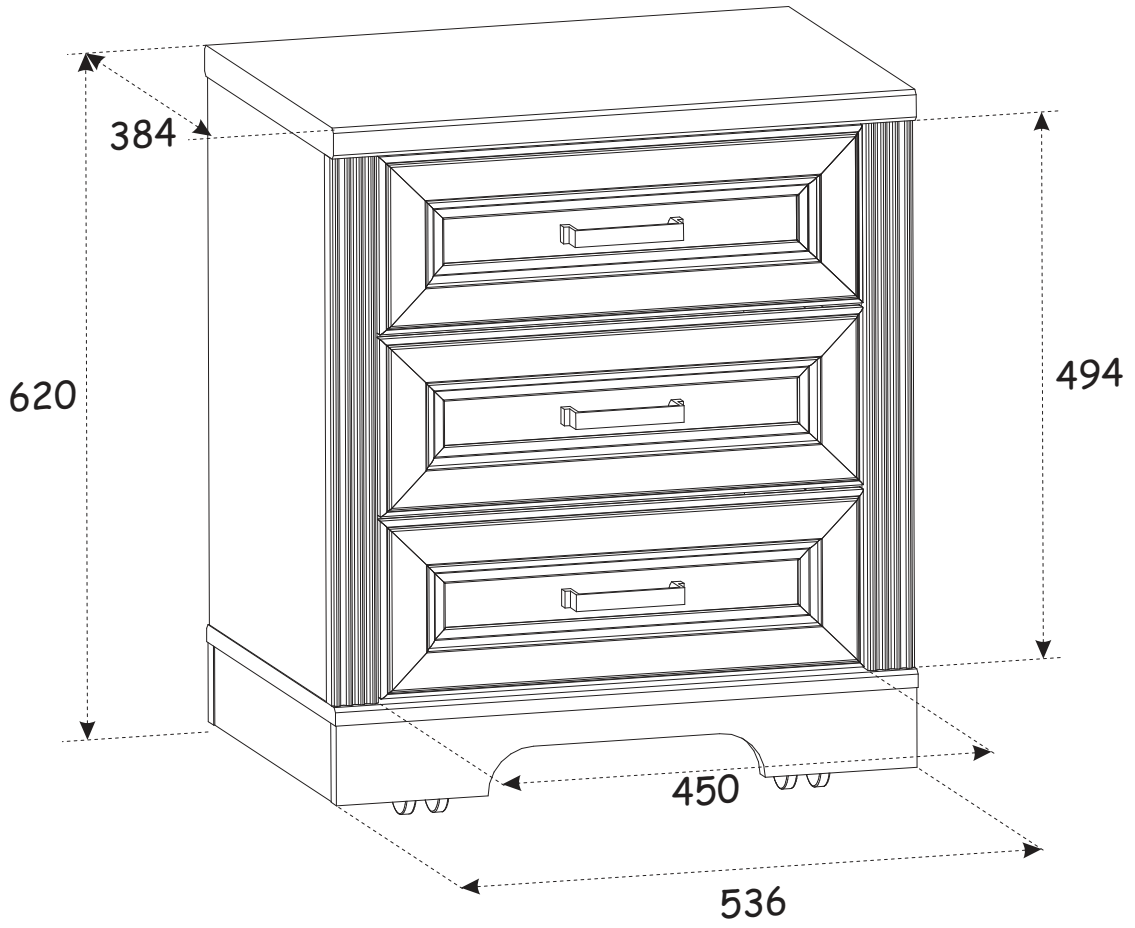


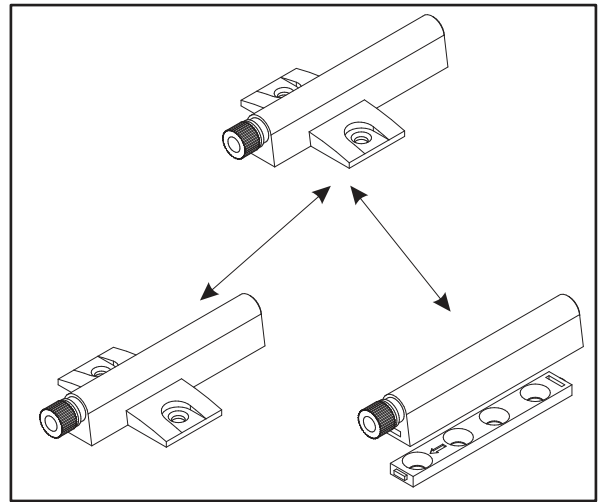
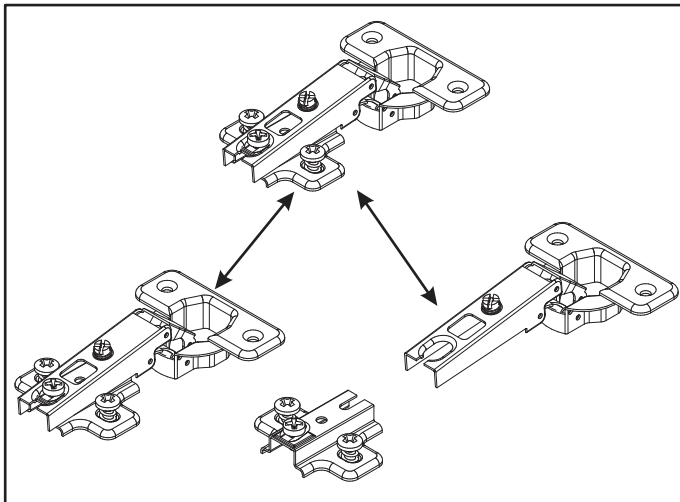
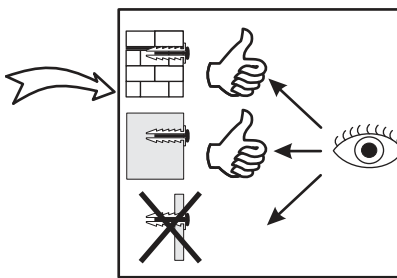
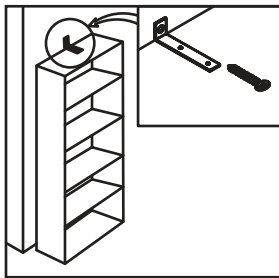
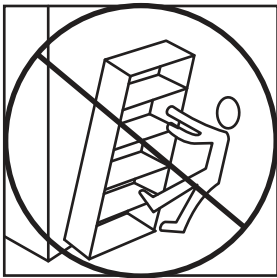
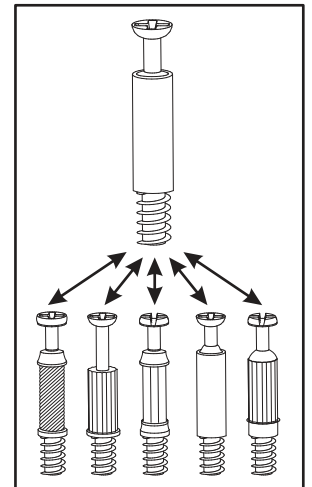
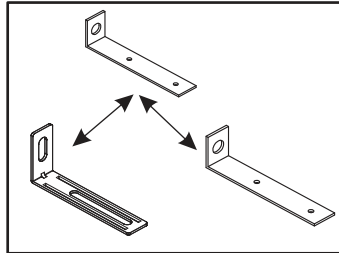
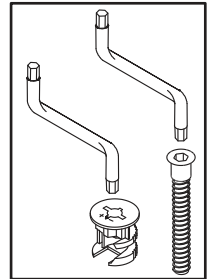
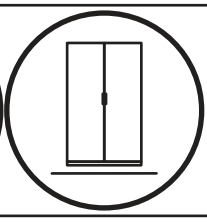
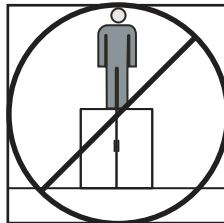
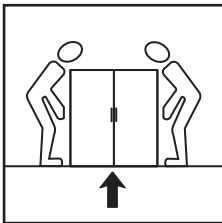
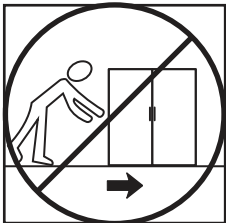
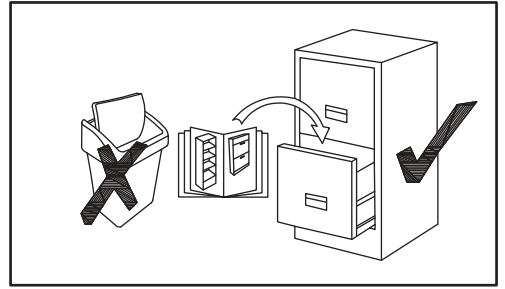
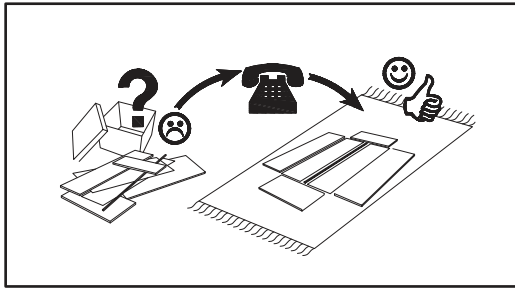
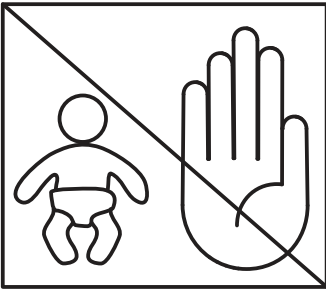
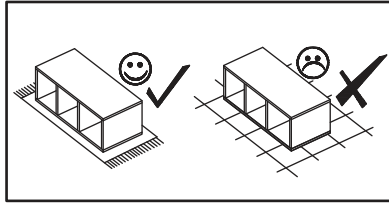
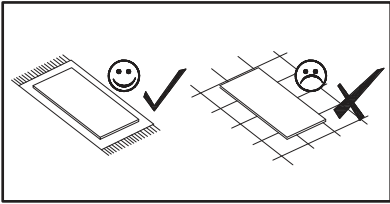
NO	Dim.			Col.-No	Qty
1	494	352	16	1	1
2	494	352	16	1	1
4	538	384	16	1	1
3	538	384	28	1	1
7	494	504	16	1	1
8	494	43	19	1	2
5	536	72	16	1	2
6	350	72	16	1	2
9	446	160	22	1	3
10	300	110	16	1	3
11	300	110	16	1	3
12	410	96	16	1	3
13	304	422	3	1	3
14	348	80	16	1	2



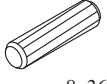
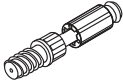




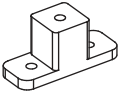
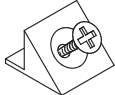



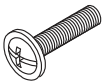



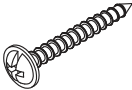

180 min





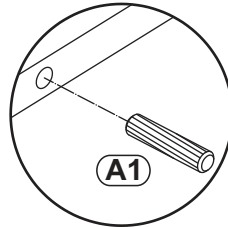
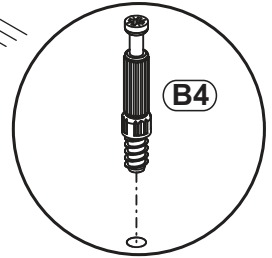
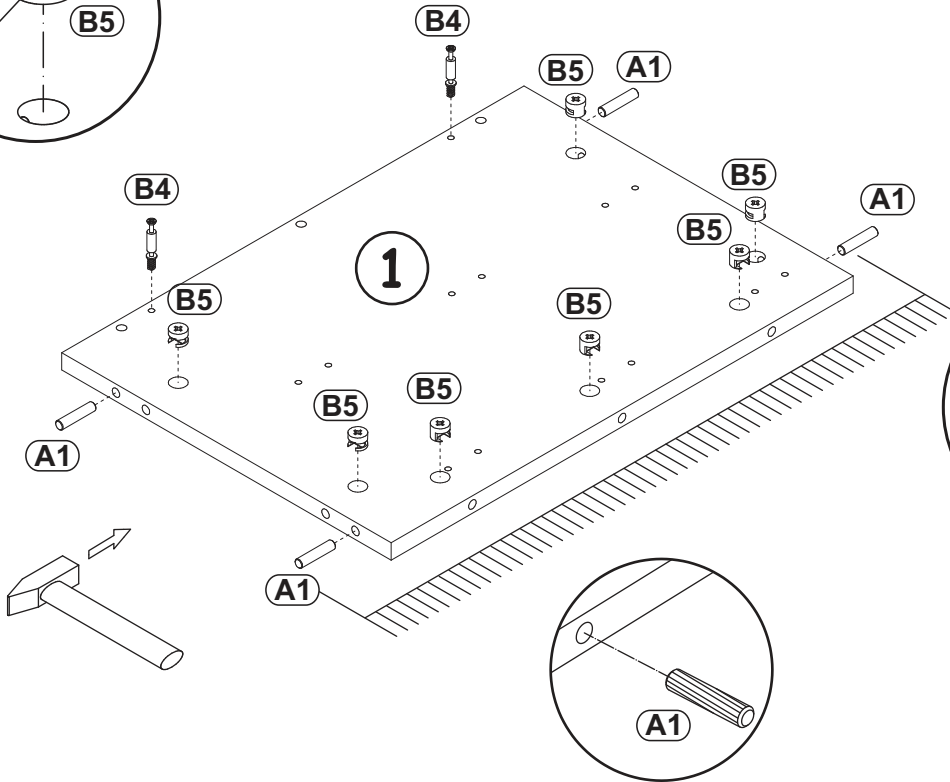
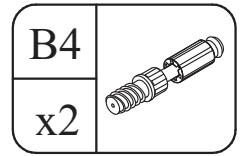
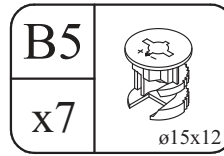
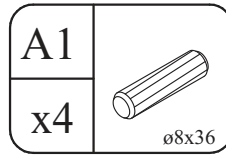
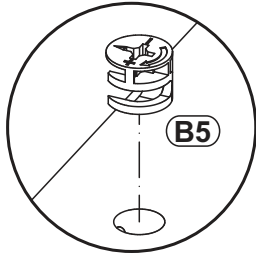


JASMIN 5K 21 -- 16

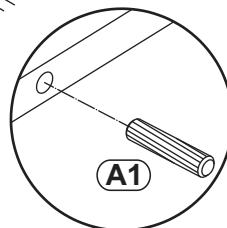
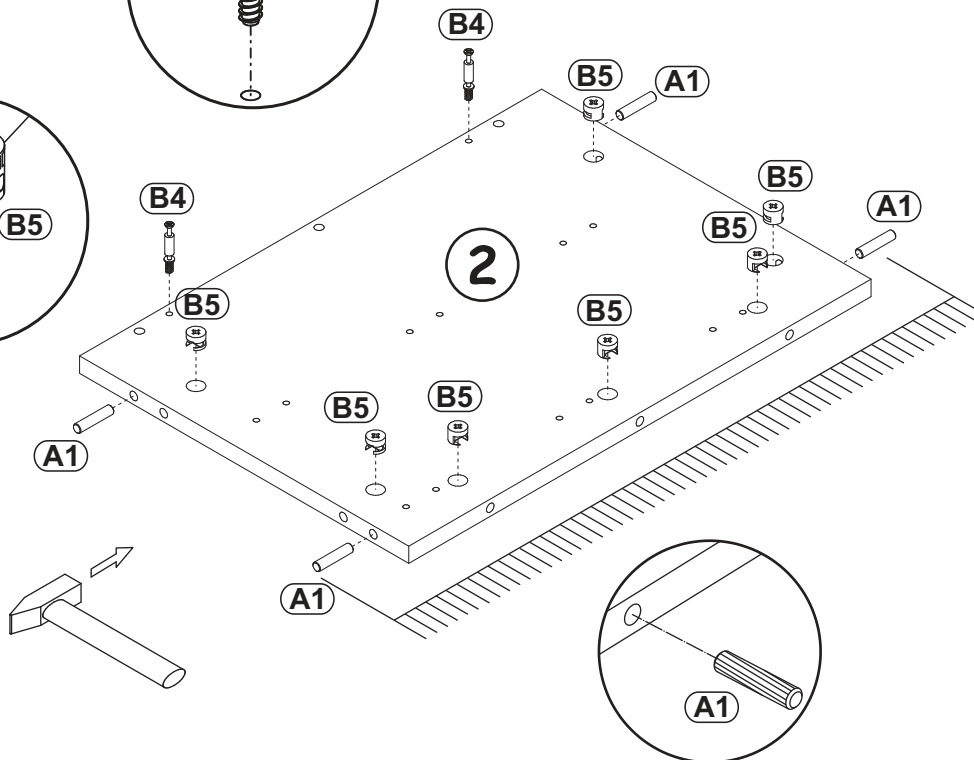
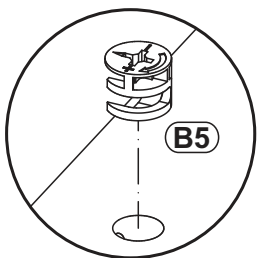
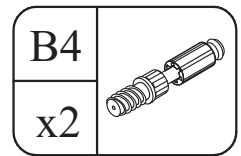
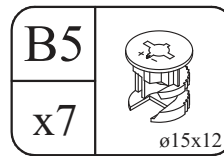
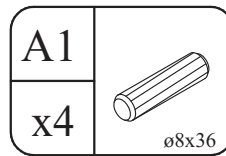
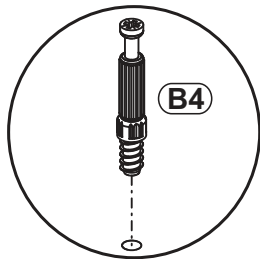
A1 x32  ø8x36	B4 x34 	B5 x34  ø15x12	G5 x34 	B11 x12  ø7x50	G4 x12 
H1 x12 	S1 x3 	K16 x4  Ø50 H-65	QU x3  L-300	C19 x3 	D34 x6  M4x16
D20 x12  ESØ6x9,5	EK6 x24  EKØ6,3x13	UP13 x9  UPØ3x16	UP6 x16  UPØ4x30	G2 x1 	



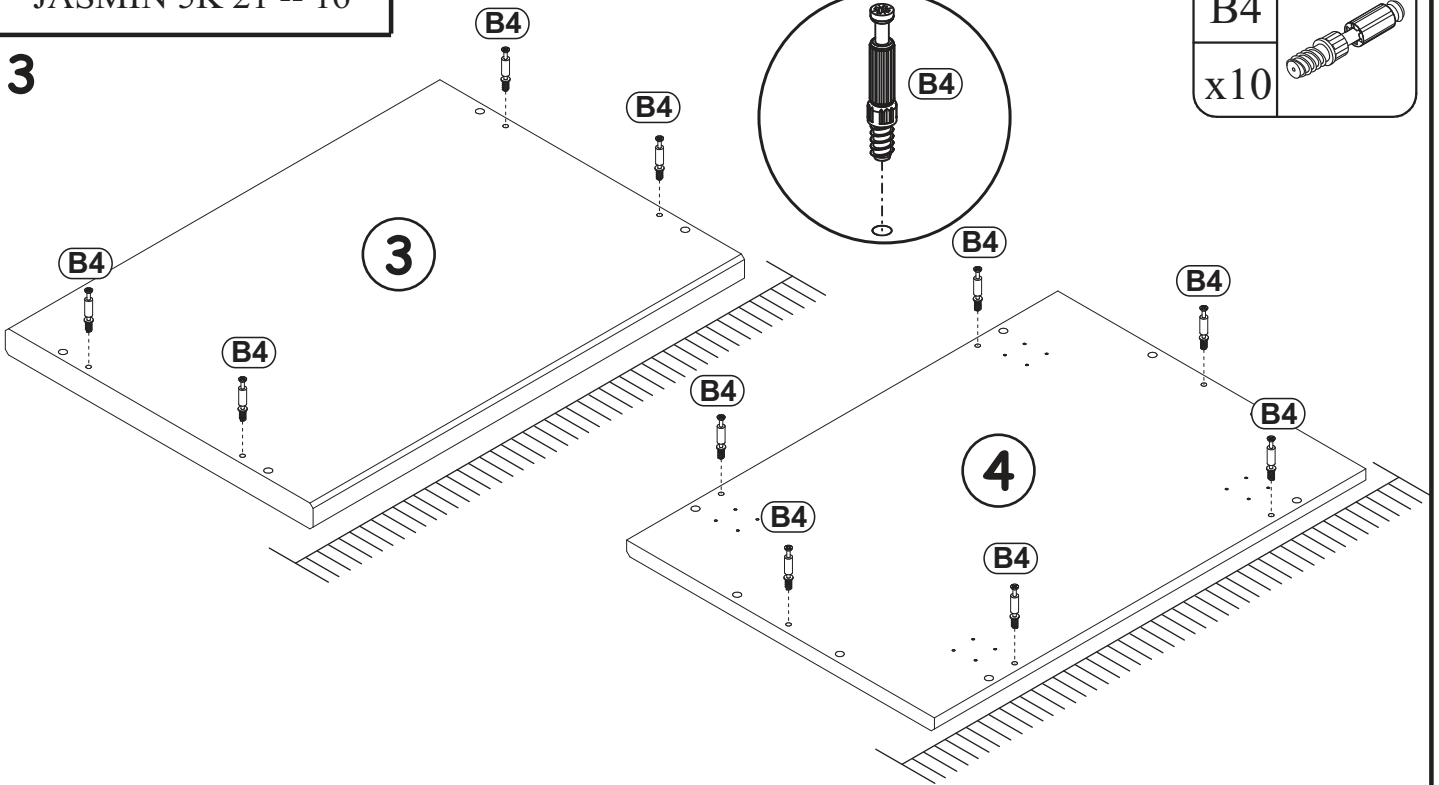
1



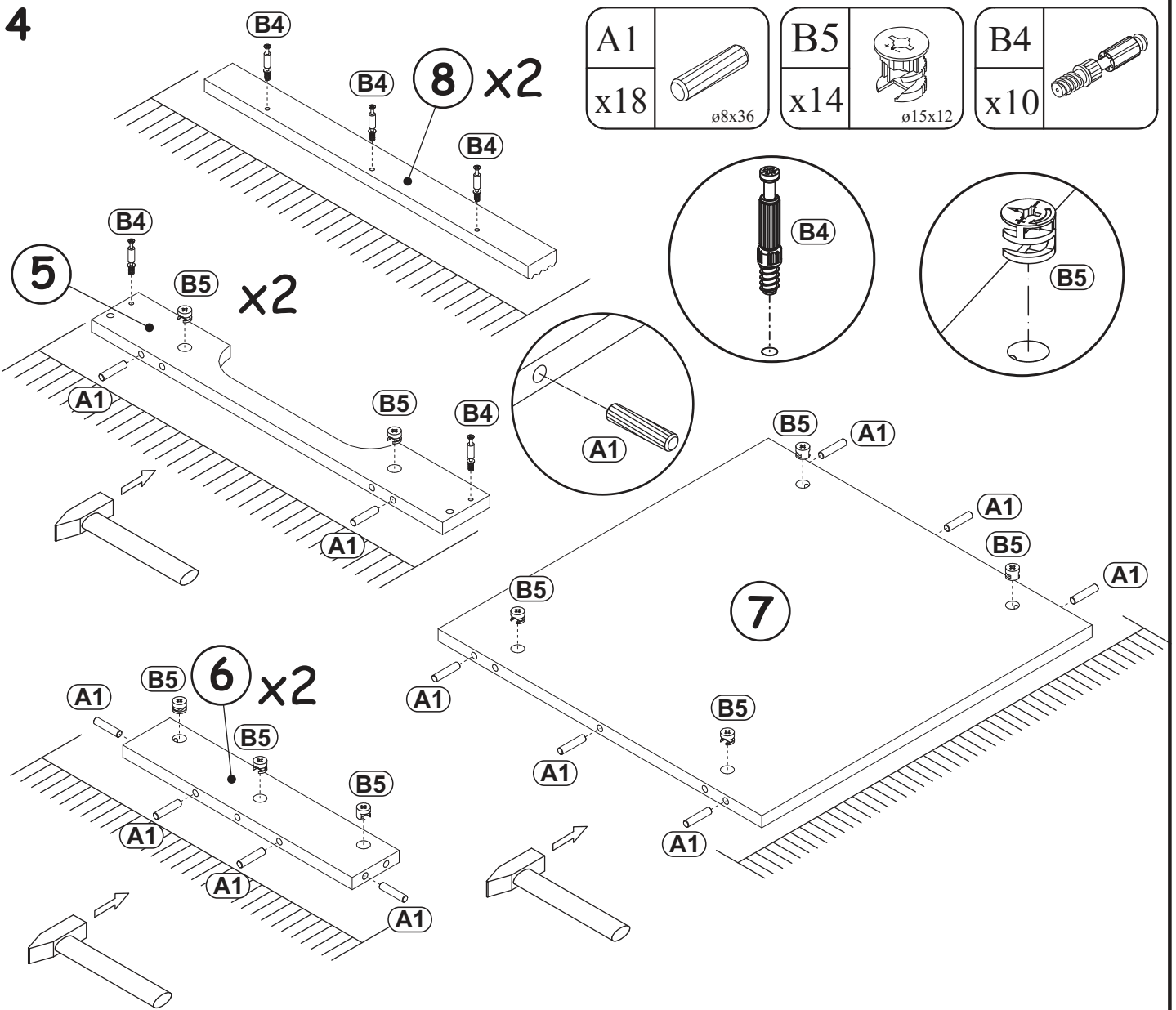
2



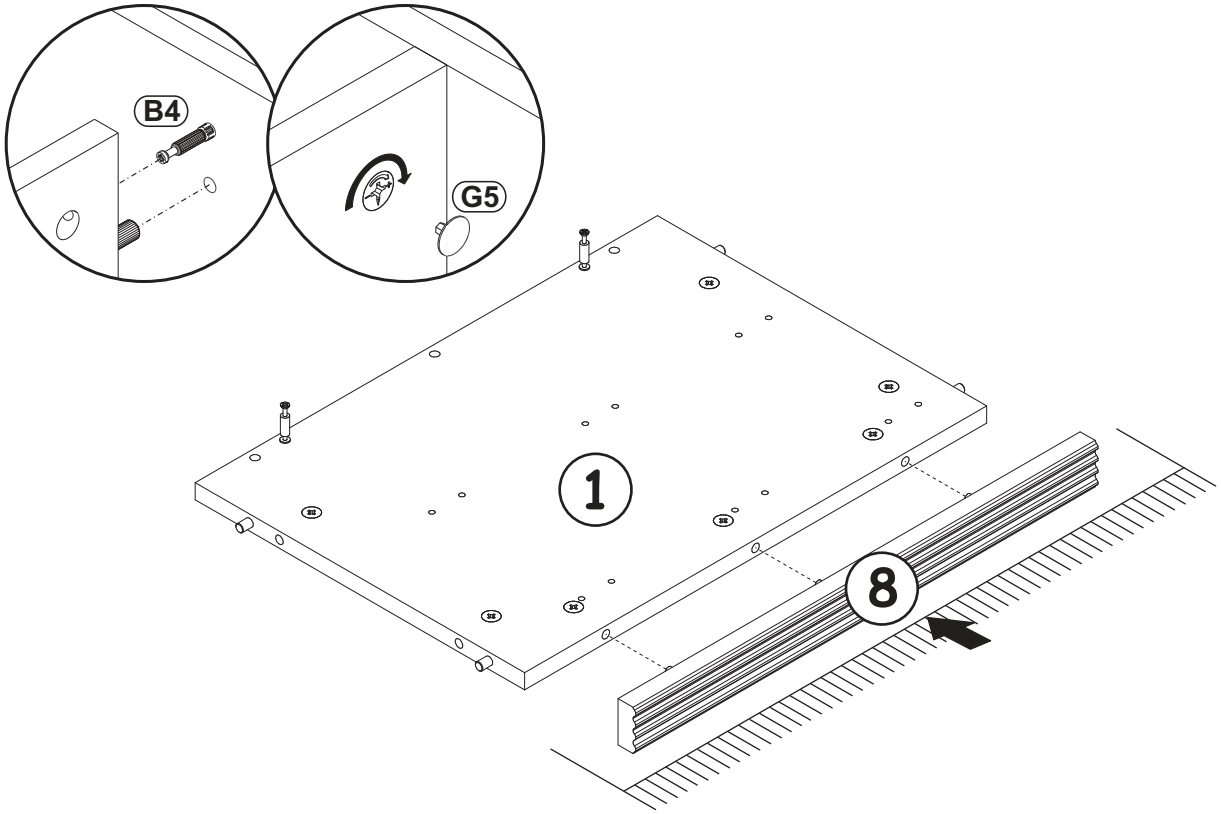
3



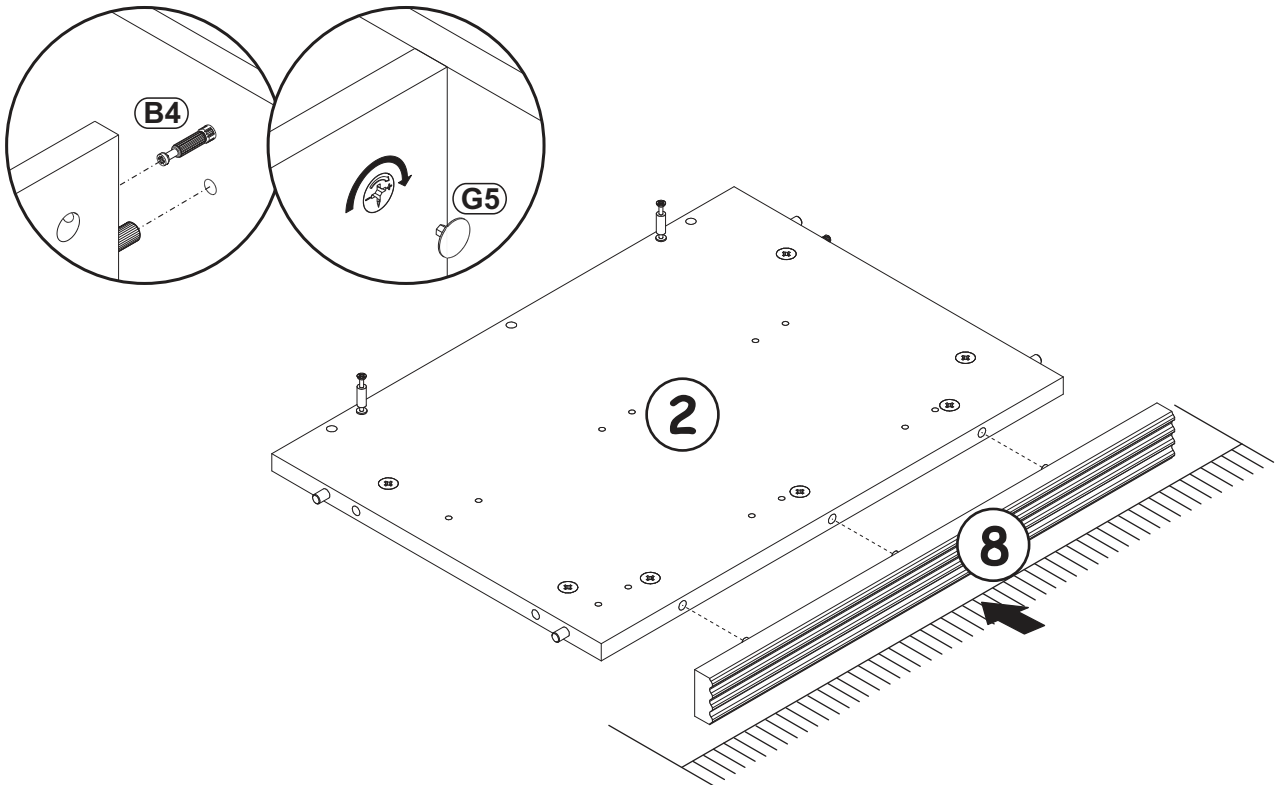
4

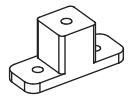
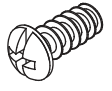


5

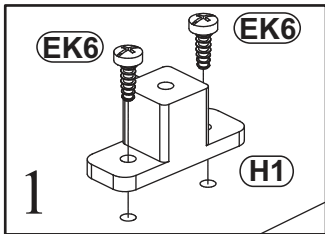
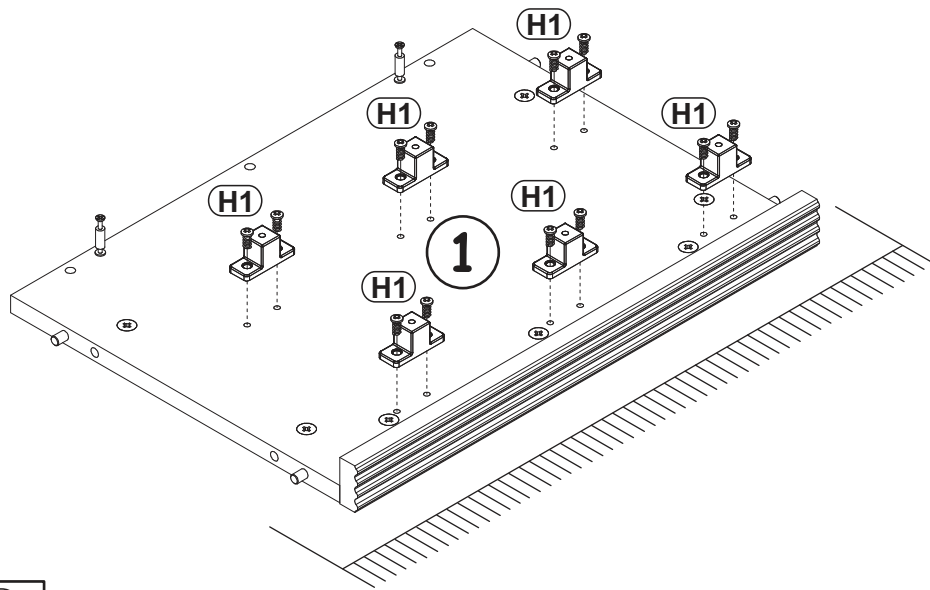


6

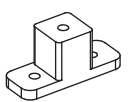
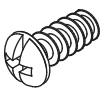


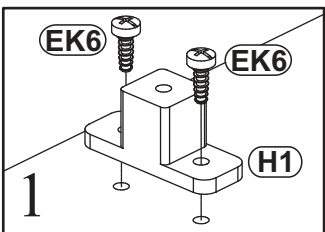
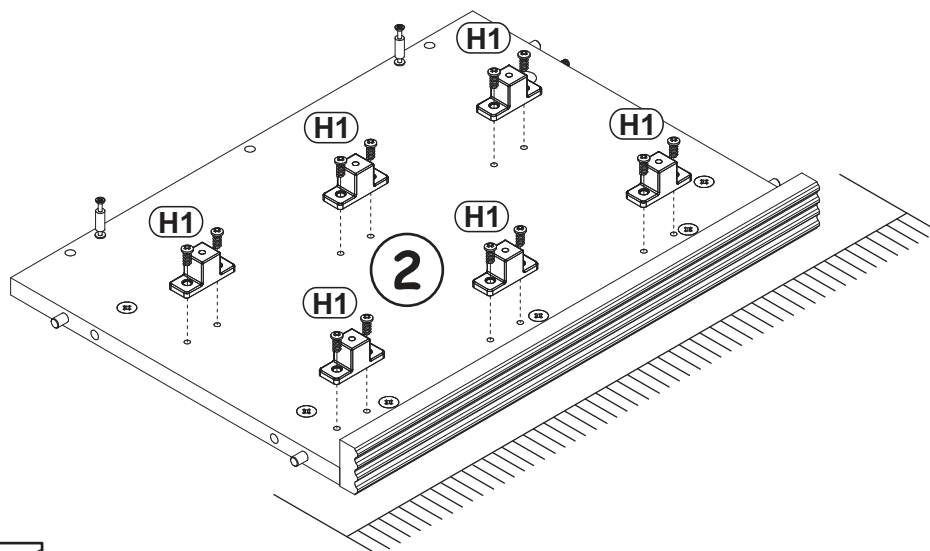
H1		EK6	
x6		x12	

7

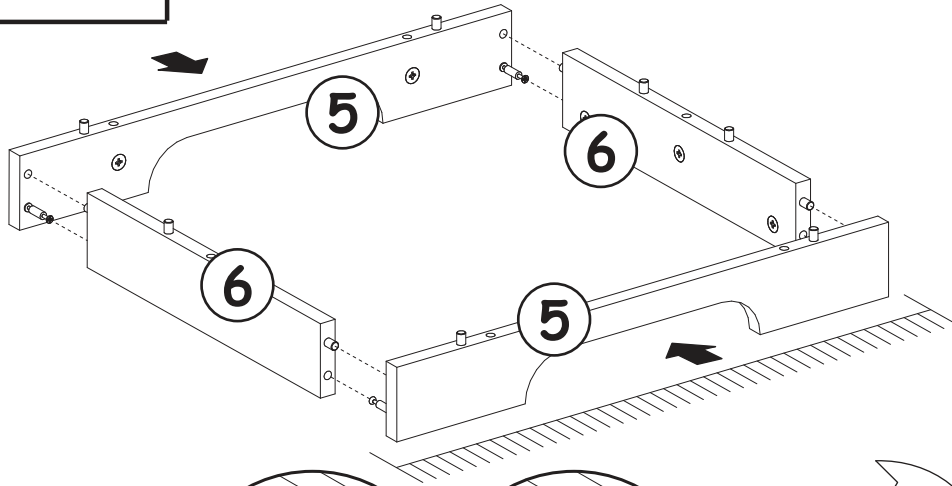



8

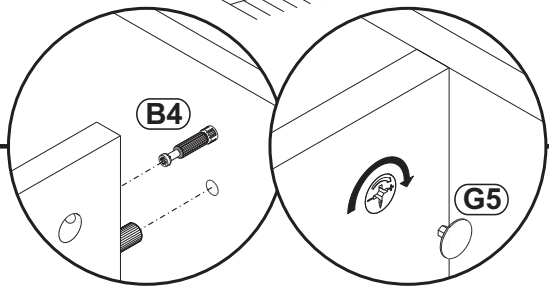
H1		EK6	
x6		x12	



9

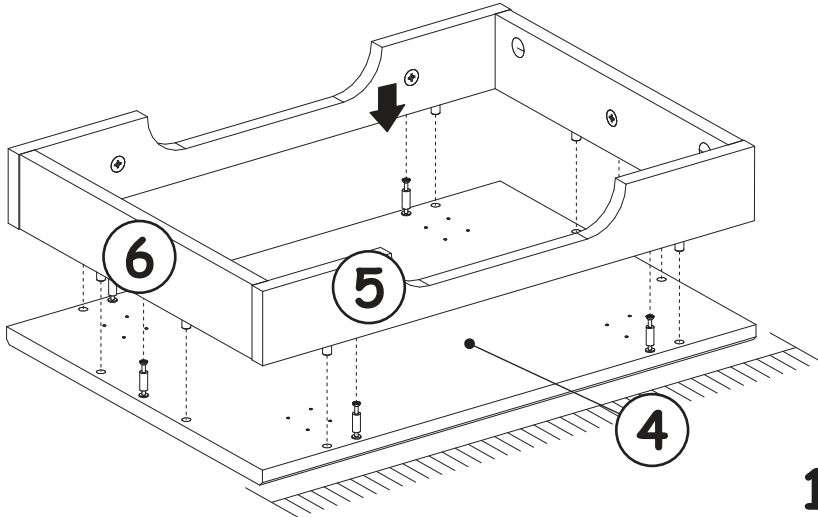



G5	
x4	



180°

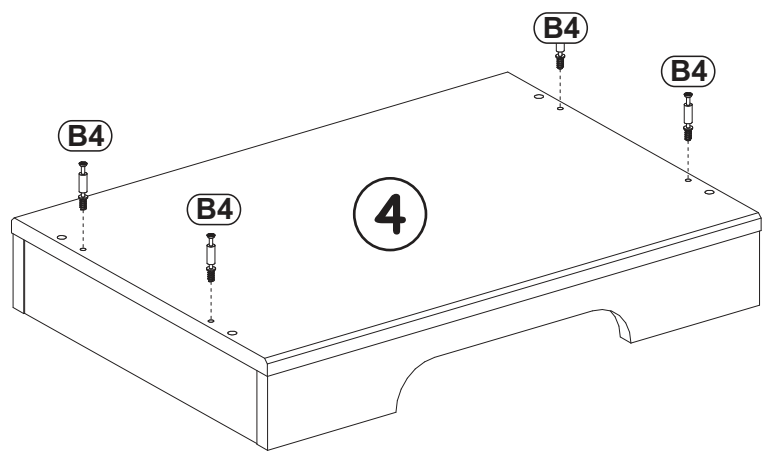
10

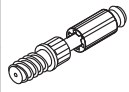


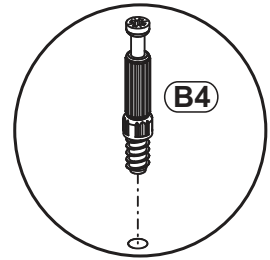
G5	
x6	

180°

11



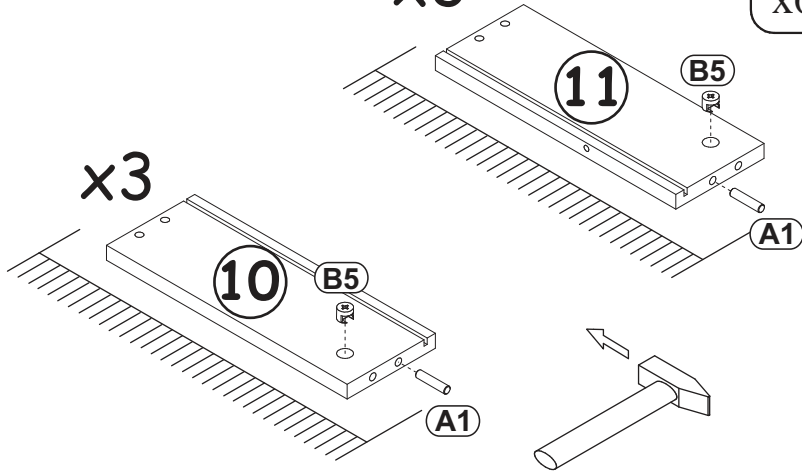
B4	
x4	



12

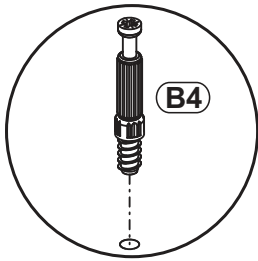
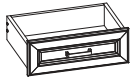


x3

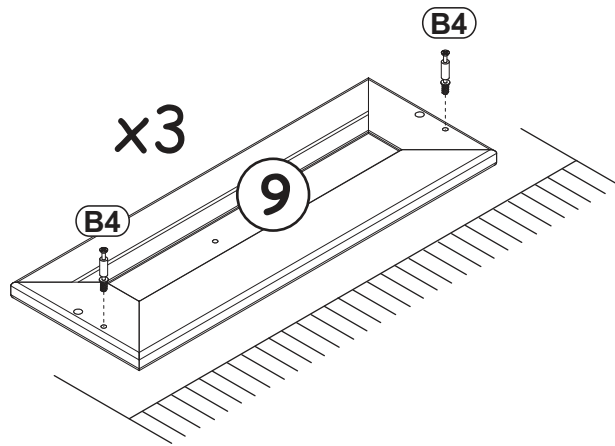


A1		B5	
x6	ø8x36	x6	ø15x12

13

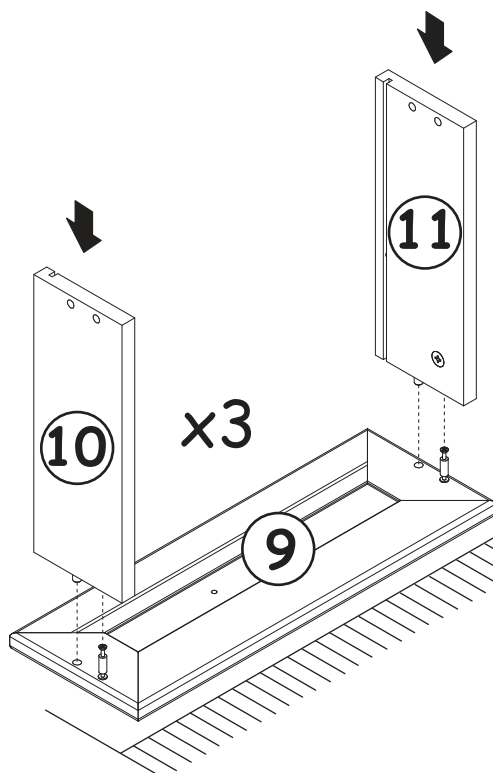


x3



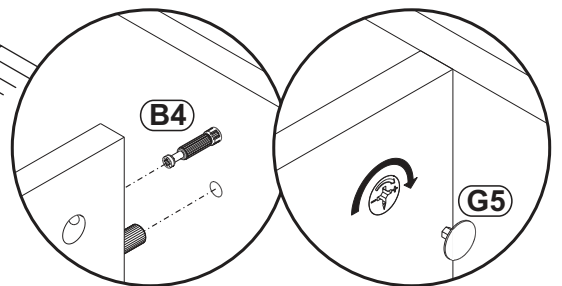
B4	
x6	

14

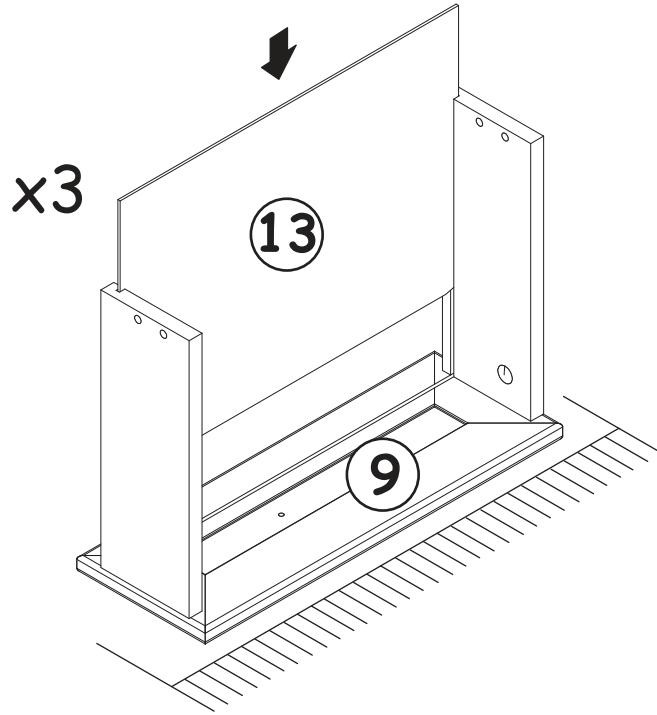
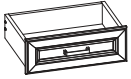


x3

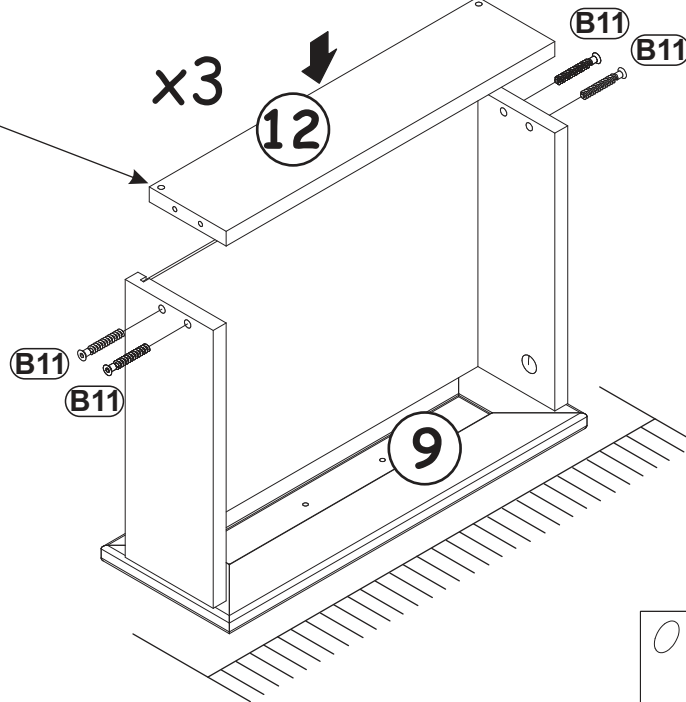
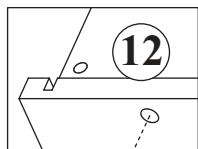
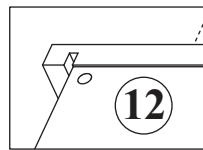
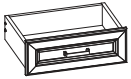
G5	
x6	





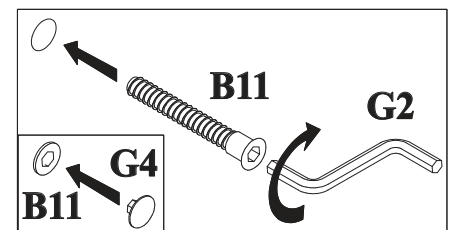
15



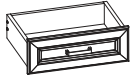
16



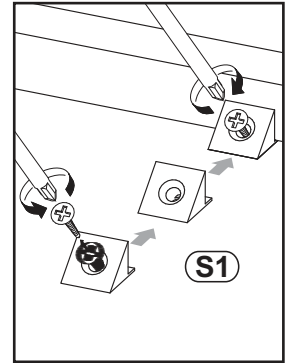
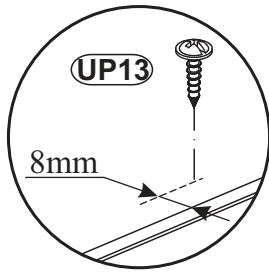
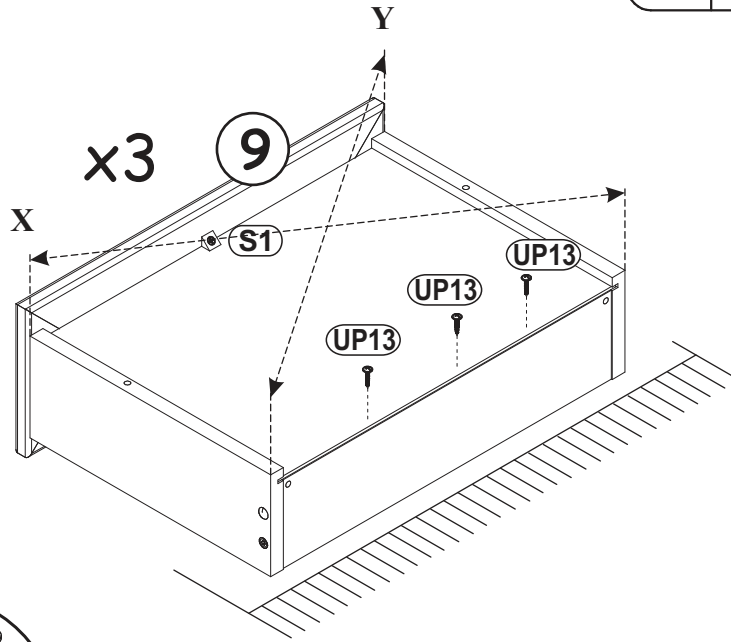
B11		G4	
x12	Ø7x50	x12	



17



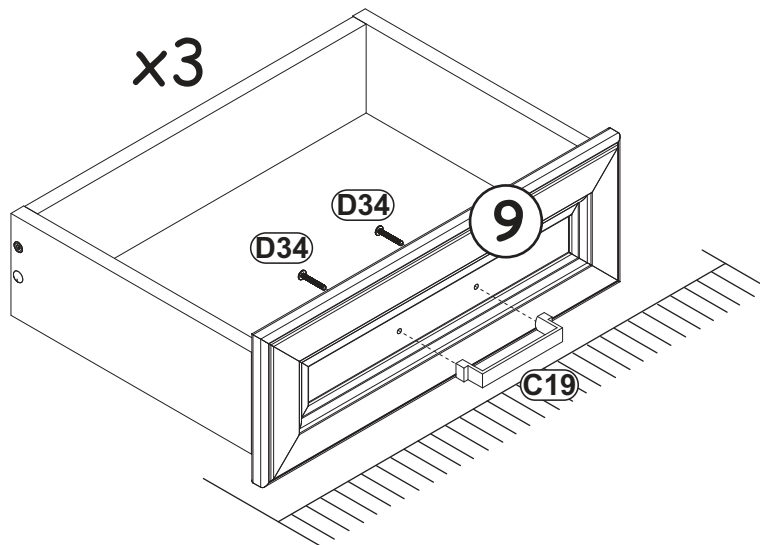
S1		UP13	
x3		x9	UPØ3x16




18

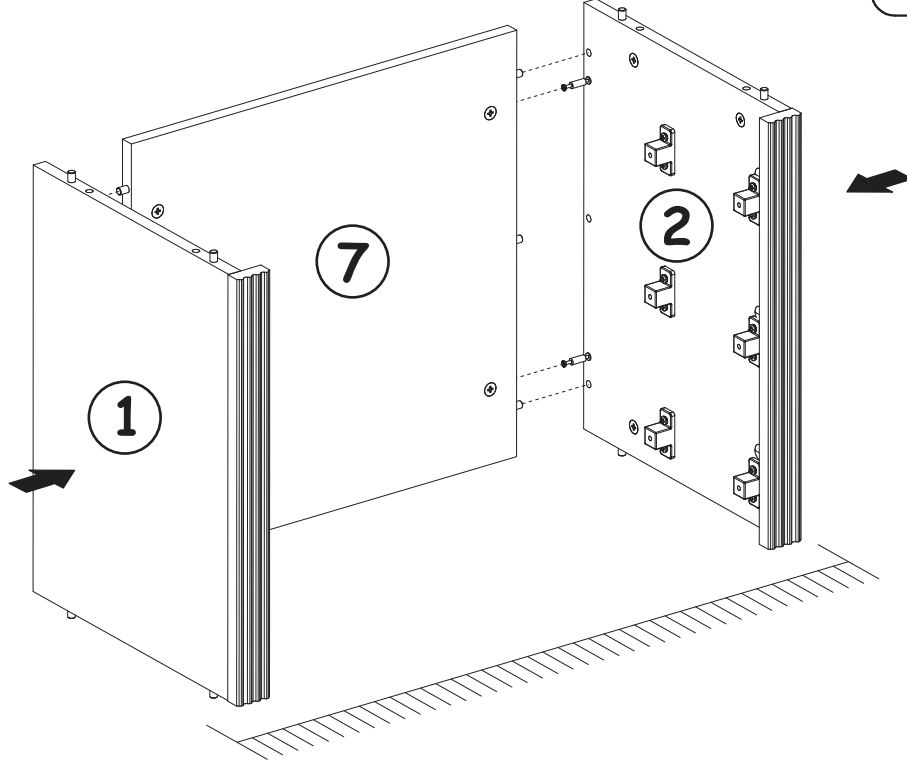
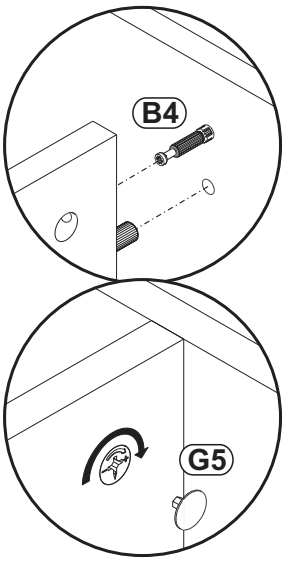


C19		D34	
x3		x6	M4x16




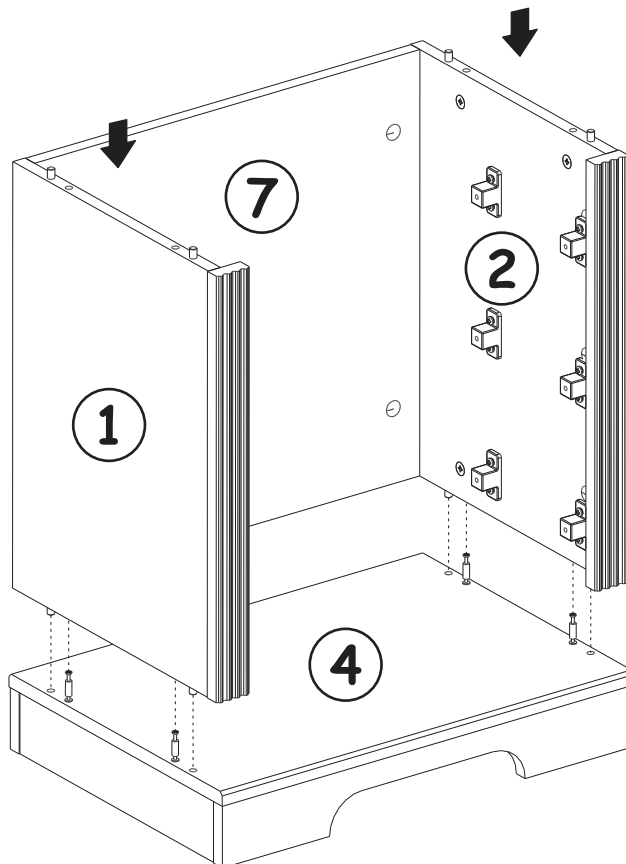
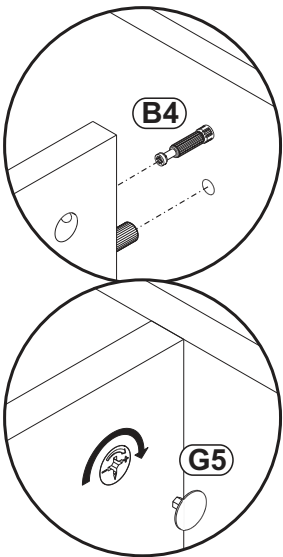
19

G5	
x4	




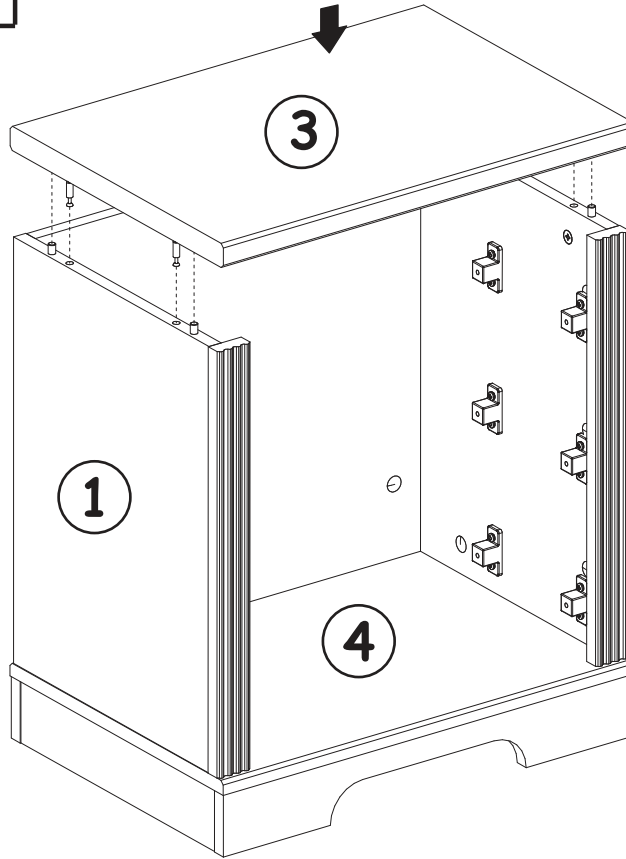
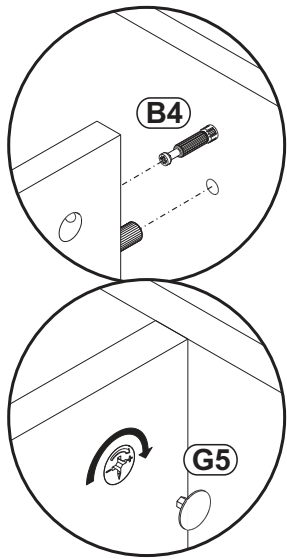
20

G5	
x4	




21


G5	
x4	

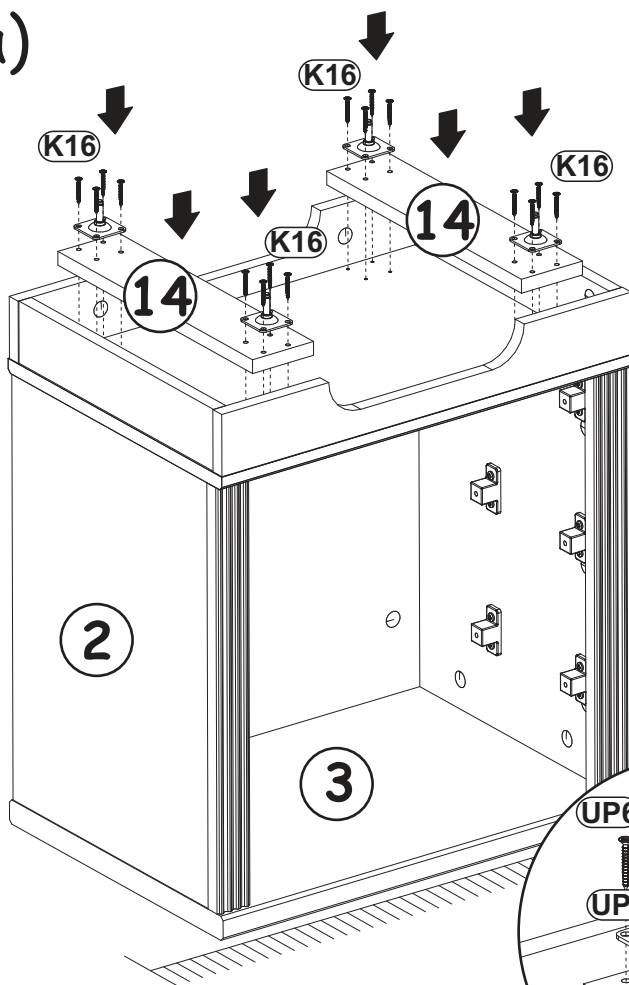


180°

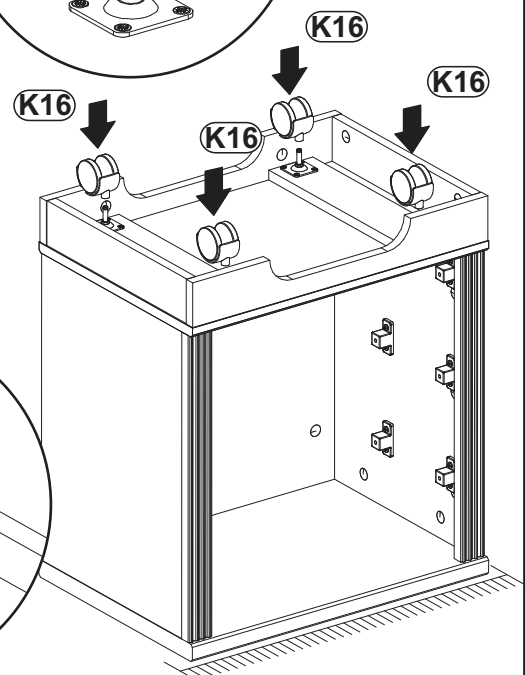
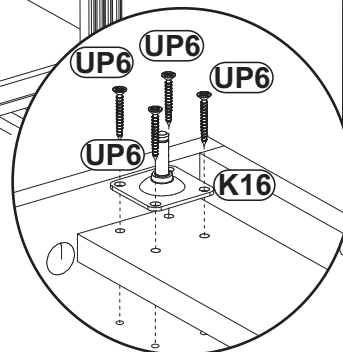
22 a)

UP6	
x16	UPØ4x30


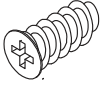
K16	
x4	Ø50 H-65

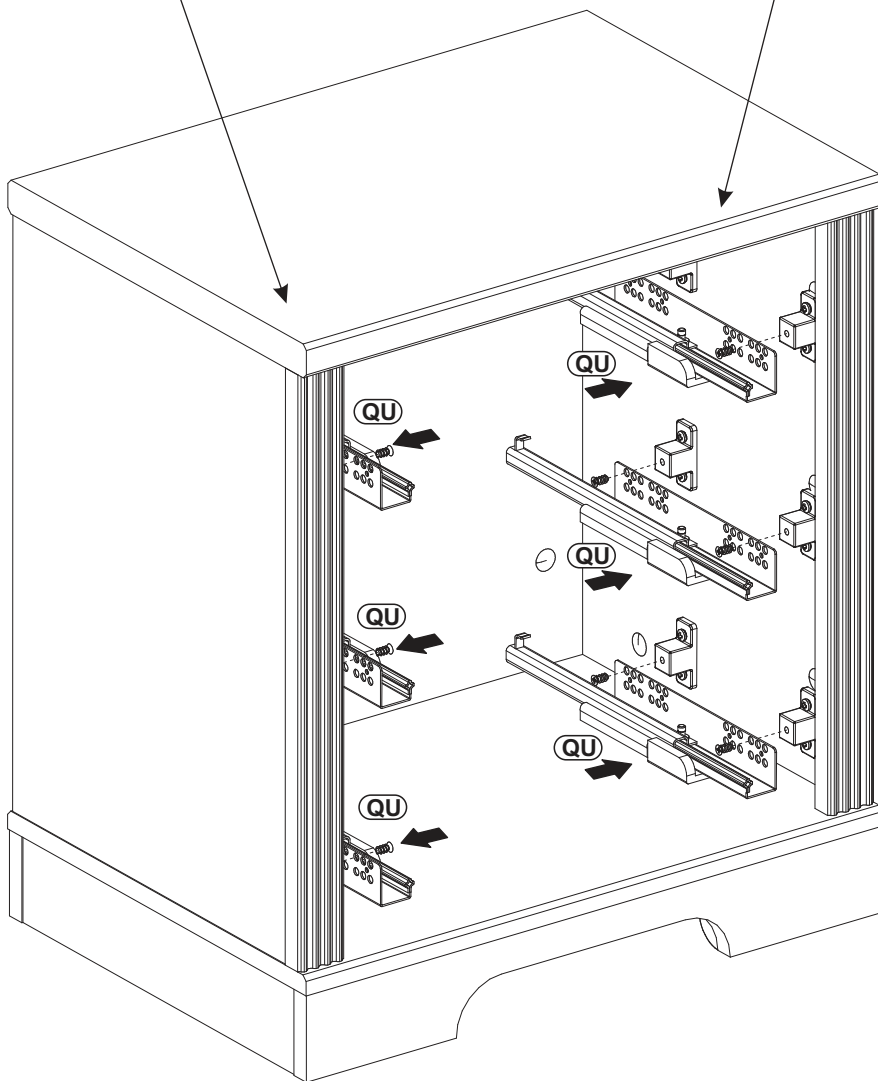
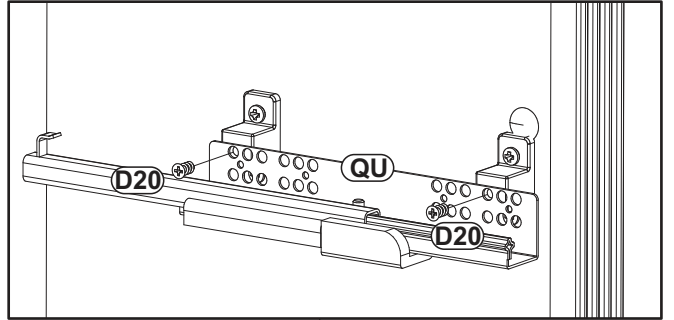
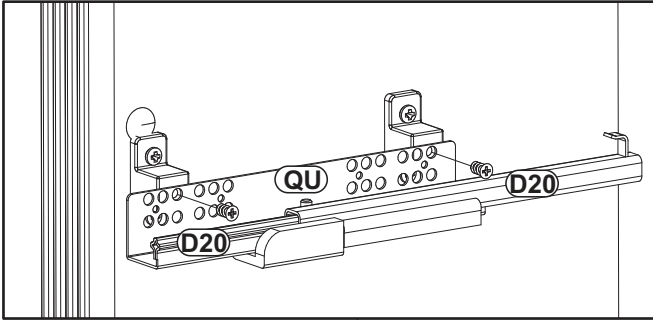


b)

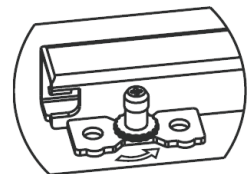
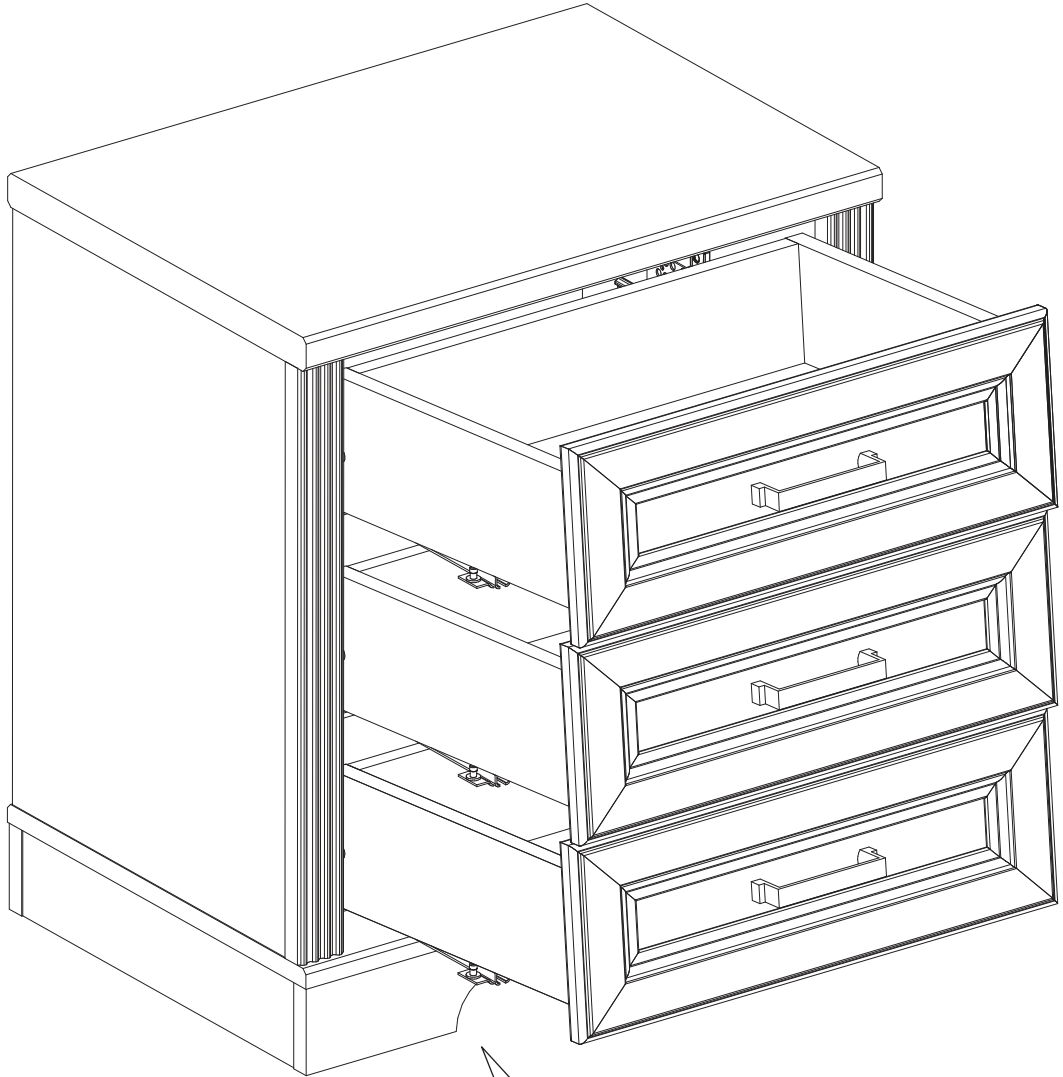
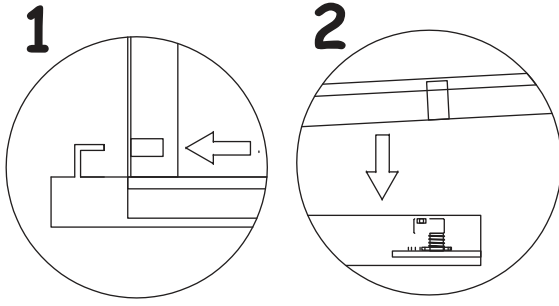


23

QU		D20	
x3	L-300	x12	ESØ6x9,5



24



↑ +4 mm