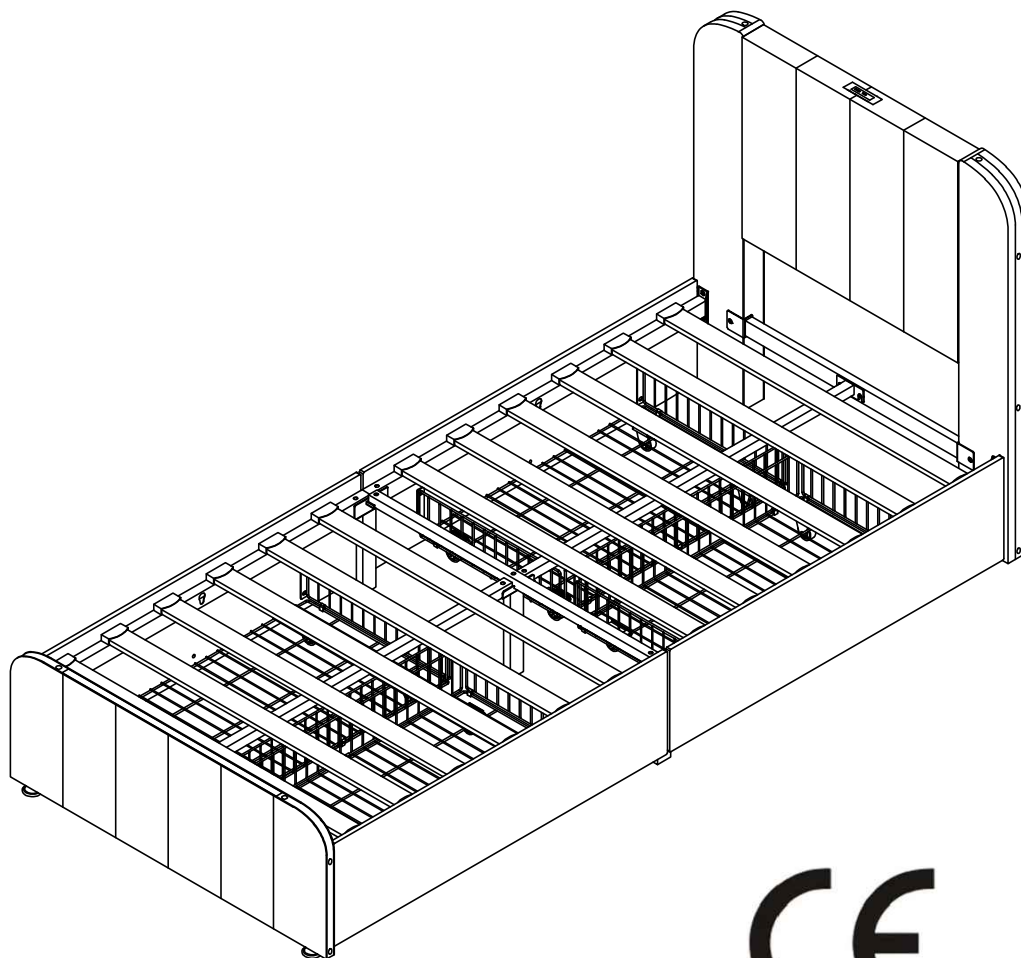


Montageanleitung | Instructions de montage Assembly Instructions | Instrucciones de montaje

SKU NUMBER: N616P180171B

N616P180172B



GB This set comes in 2 boxes. If you do not receive a full set of 2 boxes, please contact our customer service.

DE Dieses Set wird in 2 Schachteln geliefert. Wenn Sie nicht ein komplettes Set von 2 Boxen erhalten, kontaktieren Sie bitte unseren Kundenservice.

FR Ce set est livré en 2 boîtes. Si vous ne recevez pas un jeu complet de 2 boîtes, veuillez contacter notre service clientèle.

English**IMPORTANT ! KEEP FOR FUTURE REFERENCE : READ CAREFULLY**

- To be assembled by an adult. Assembly must be checked by an adult before use
- WARNING ! Keep all screws, small parts and plastic bags out of the reach of children
- Properly identify all parts before assembling
- Never use your item if any of its parts are broken or missing
- Should any problems arise, please contact our After Sales Service
- Manufacturer's instructions shall be followed at all times
- Care: Clean with a soft, dry cloth. In case of larger stains, carefully rub with a slightly damp, non-abrasive sponge
- Avoid the risk of fire by not placing furniture near sources of ignition or hot items
- Do not jump on the bed

Deutsch**WICHTIG ! ZUM SPÄTEREN NACHSCHLAGEN AUFBEWAHREN: SORGFÄLTIG LESEN**

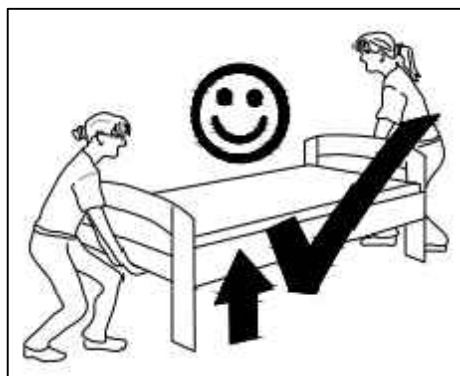
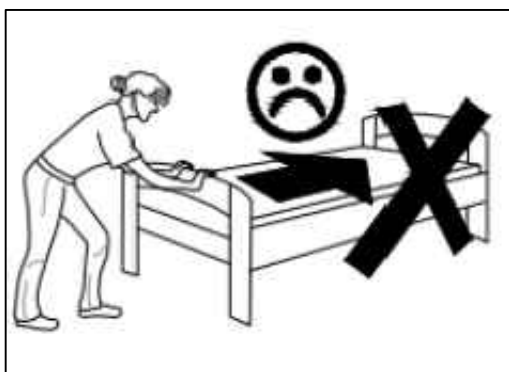
- Muss von einem Erwachsenen zusammengebaut werden. Der Zusammenbau muss vor dem Gebrauch von einem Erwachsenen überprüft werden
- WARNUNG! Bewahren Sie alle Schrauben, Kleinteile und Plastikbeutel außerhalb der Reichweite von Kindern auf
- Kennzeichnen Sie vor dem Zusammenbau alle Teile richtig
- Benutzen Sie Ihren Artikel niemals, wenn Teile gebrochen sind oder fehlen
- Sollten Probleme auftreten, wenden Sie sich bitte an unseren Kundendienst
- Die Anweisungen des Herstellers sind stets zu befolgen
- Pflege: Mit einem weichen, trockenen Tuch reinigen. Bei größeren Flecken vorsichtig mit einem leicht feuchten, nicht scheuernden Schwamm abreiben. nicht scheuernden Schwamm
- Vermeiden Sie die Gefahr eines Brandes, indem Sie die Möbel nicht in der Nähe von Zündquellen oder heißen Gegenständen aufstellen
- Nicht auf das Bett springen

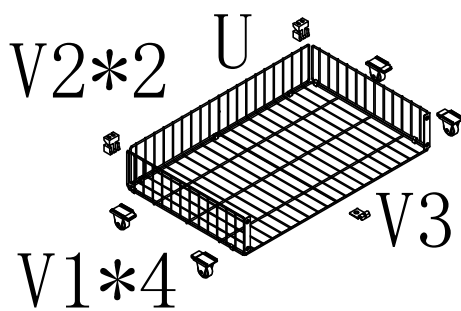
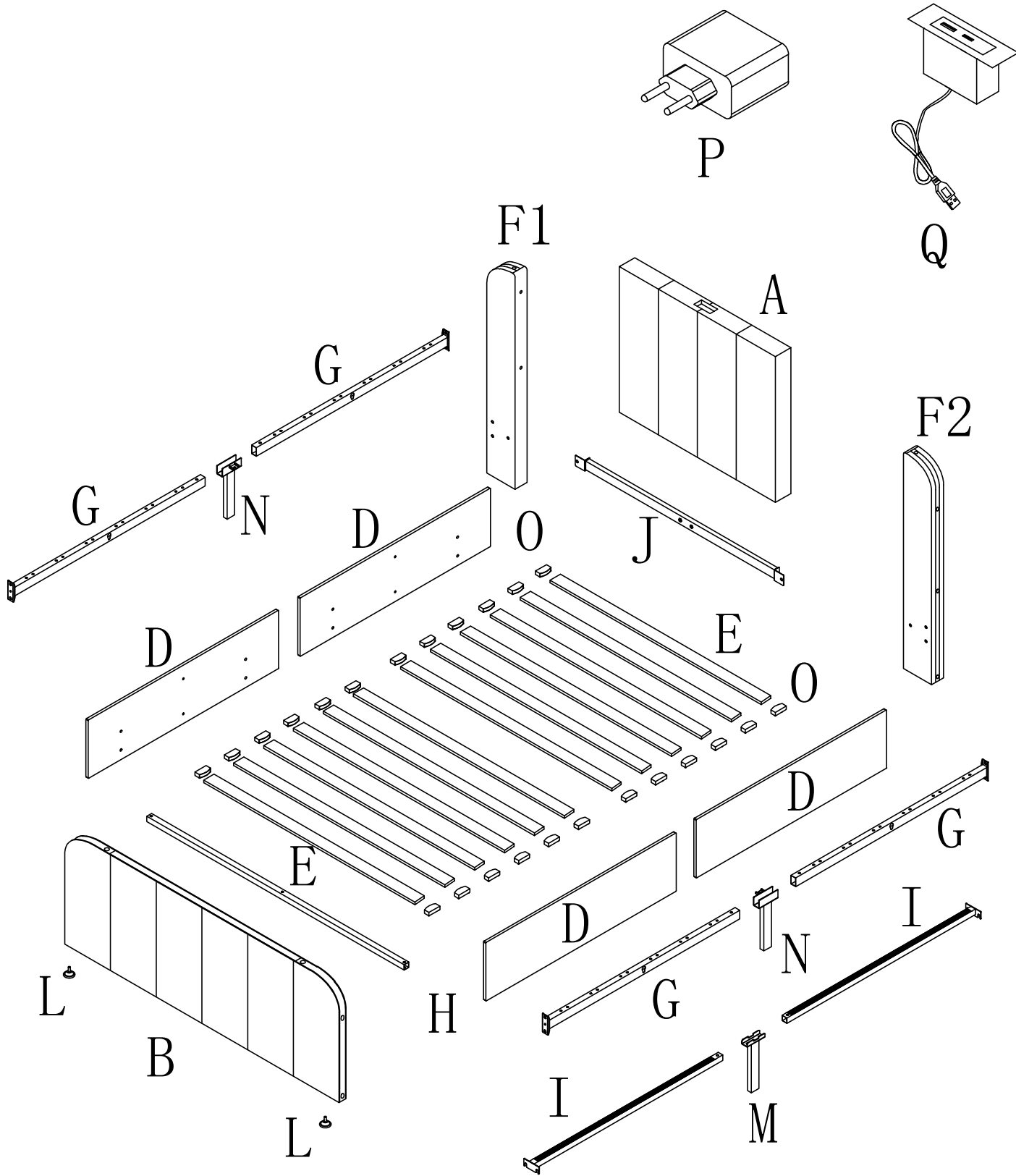
Français**IMPORTANT ! CONSERVER POUR RÉFÉRENCE ULTÉRIEURE : LIRE ATTENTIVEMENT**

- Le montage doit être effectué par un adulte. Le montage doit être vérifié par un adulte avant Utilisation
- ATTENTION ! Tenir les vis, les petites pièces et les sachets en plastique hors de portée des enfants
- Identifiez correctement toutes les pièces avant de les assembler
- N'utilisez jamais votre article si l'une de ses pièces est cassée ou manquante
- En cas de problème, veuillez contacter notre service après-vente
- Les instructions du fabricant doivent être respectées à tout moment
- Entretien : nettoyer avec un chiffon doux et sec. En cas de taches plus importantes, frotter soigneusement avec une éponge non abrasive légèrement humide. légèrement humide et non Abrasive
- Évitez les risques d'incendie en ne plaçant pas les meubles à proximité de sources d'inflammation ou d'objets chauds
- Ne pas sauter sur le lit

- Deve essere assemblato da un adulto. L'assemblaggio deve essere controllato da un adulto prima dell'uso
- ATTENZIONE! Tenere tutte le viti, le piccole parti e i sacchetti di plastica fuori dalla portata dei bambini
- Identificare correttamente tutte le parti prima dell'assemblaggio
- Non utilizzare mai l'articolo se alcune parti sono rotte o mancanti
- In caso di problemi, si prega di contattare il nostro Servizio Post Vendita
- Le istruzioni del produttore devono essere sempre seguite
- Cura: Pulire con un panno morbido e asciutto. In caso di macchie più estese, strofinare accuratamente con una spugna leggermente umida e nonspugna leggermente umida e non abrasiva
- Evitare il rischio di incendio, non collocando i mobili vicino a fonti di accensione o a oggetti caldi
- Non saltare sul letto

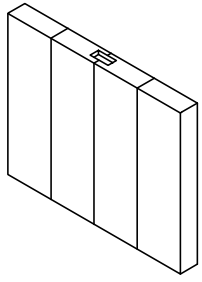
- Debe ser montado por un adulto. El montaje debe ser comprobado por un adulto antes del uso
- ADVERTENCIA Mantenga todos los tornillos, piezas pequeñas y bolsas de plástico fuera del alcance de los niños.
- Identifique correctamente todas las piezas antes de montarlas
- Nunca utilice su artículo si alguna de sus piezas está rota o falta
- Si surge algún problema, póngase en contacto con nuestro Servicio Postventa
- Las instrucciones del fabricante deben seguirse en todo momento
- Cuidado: Limpiar con un paño suave y seco. En caso de manchas más grandes, frote cuidadosamente con una esponja no abrasiva ligeramente humedecida.
- Evite el riesgo de incendio no colocando los muebles cerca de fuentes de ignición u objetos calientes.
- No saltar sobre la cama.



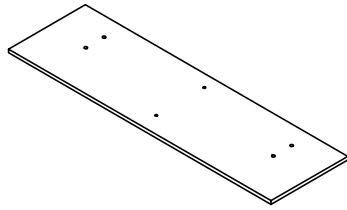


X4

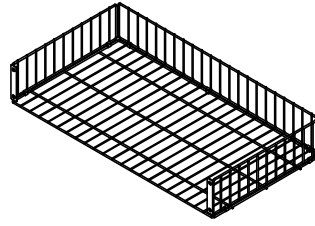
Part list N616P180172B



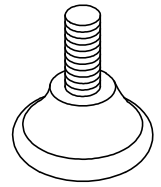
A*1PC



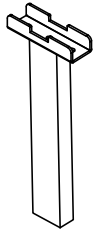
D*4PCS



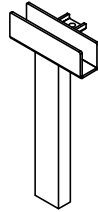
U*4PCS



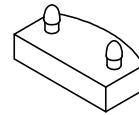
L*2PCS



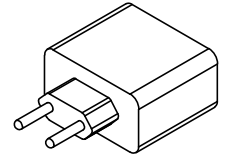
M*1PC



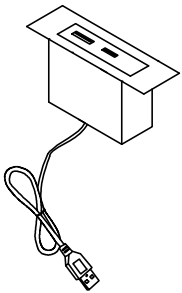
N*2PCS



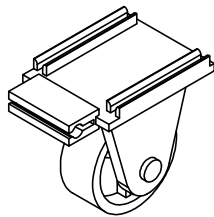
O*24PCS



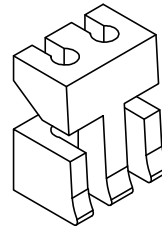
P*1PC



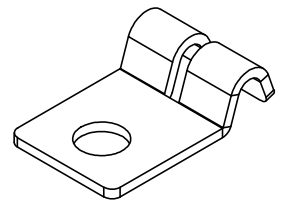
Q*1PC



V1*16PCS

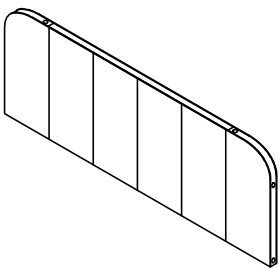


V2*8PCS

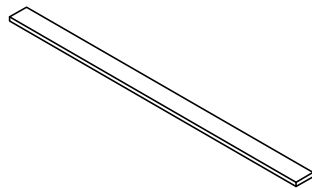


V3*4PCS

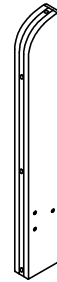
Part list N616P180171B



B*1PC



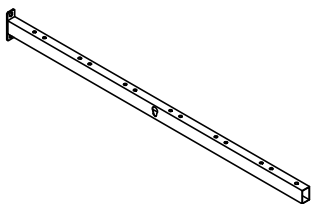
E*12PCS



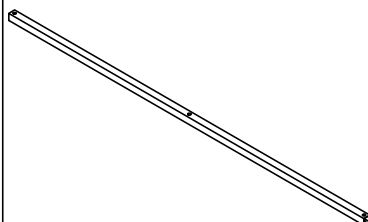
F1*1PC



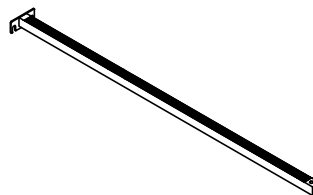
F2*1PC



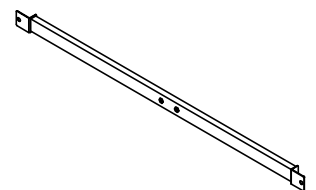
G*4PCS



H*1PC

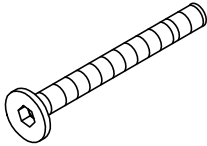
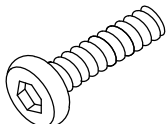
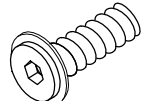
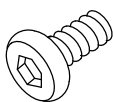
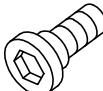

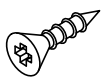


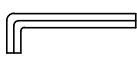


I*2PCS



J*1PC

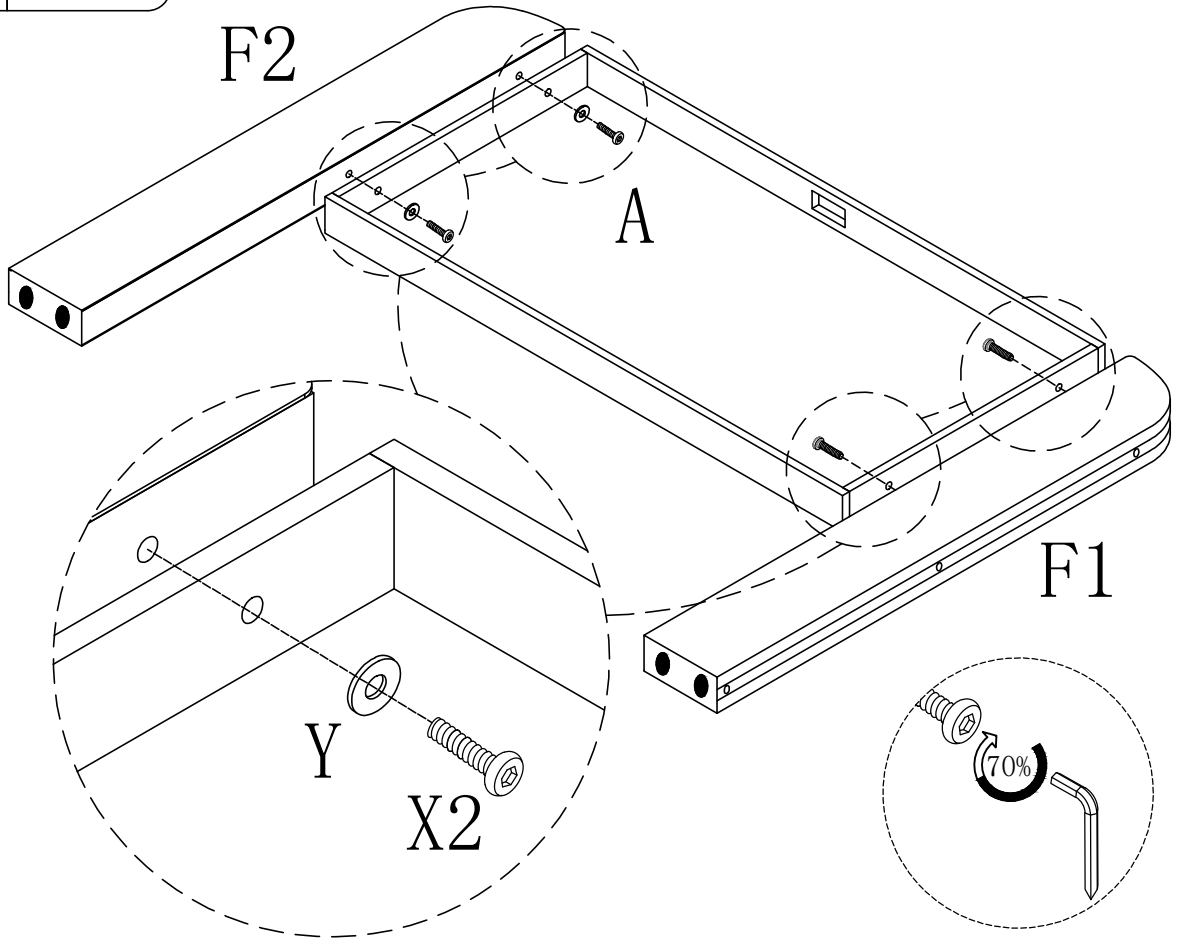
Hardware list N616P180172B

| | | |
|---|---|--|
| <p>X1 5PCS</p>  <p>M8*50mm</p> | <p>X2 8PCS</p>  <p>M8*40mm</p> | <p>X3 12PCS</p>  <p>M8*25mm</p> |
| <p>X4 2PCS</p>  <p>M8*18mm</p> | <p>X5 4PCS</p>  <p>M8*12</p> | <p>X6 20PCS</p>  <p>M6*14</p> |
| <p>X7 2PCS</p>  <p>M3*15mm</p> | <p>Y 8PCS</p>  <p>Ø22*Ø8.5</p> | <p>Z1 1PC</p>  <p>M8</p> |
| <p>Z2 1PC</p>  <p>M6</p> | | |

1

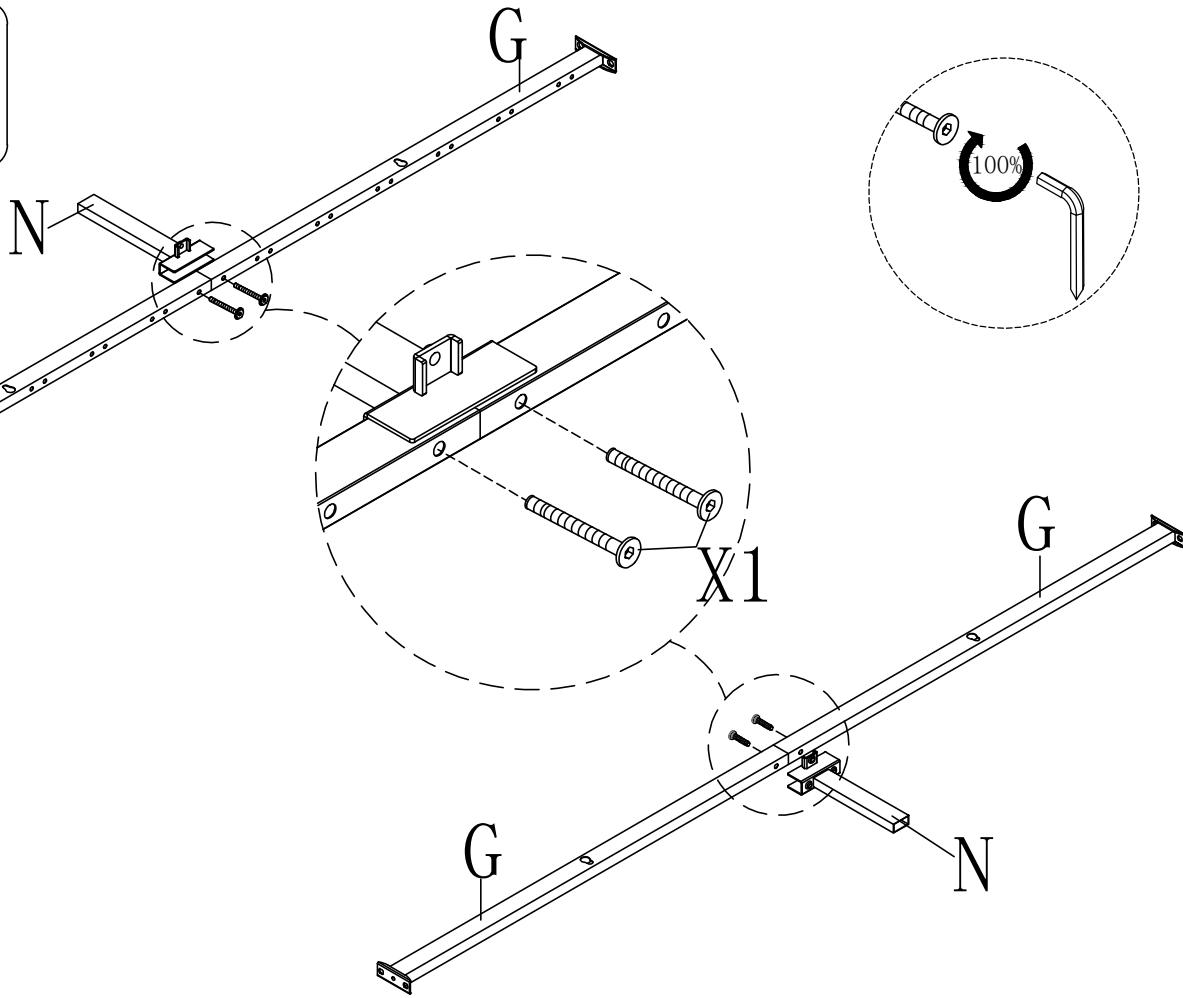
X2*4
M8*40mm

Y*4

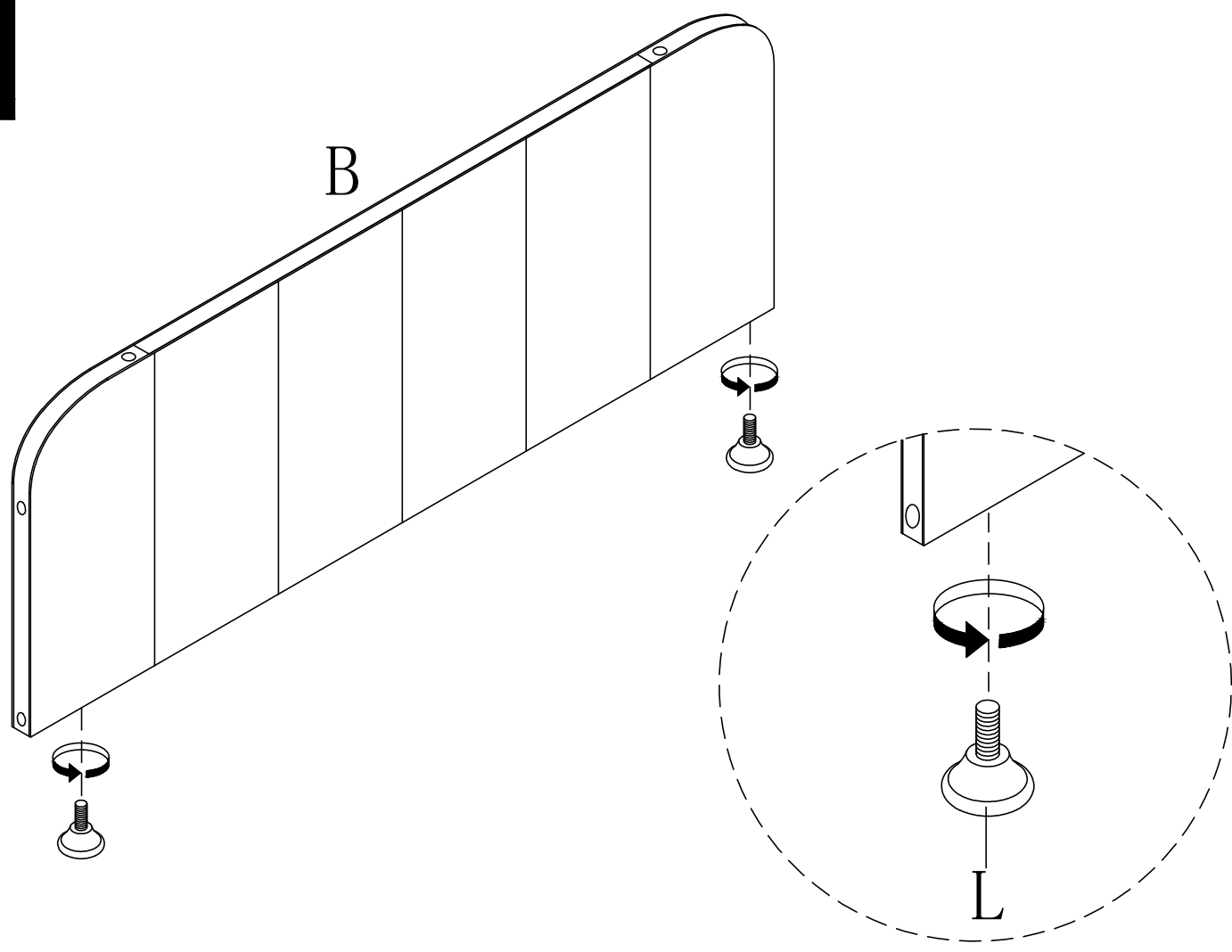


2

X1*4
M8*50mm

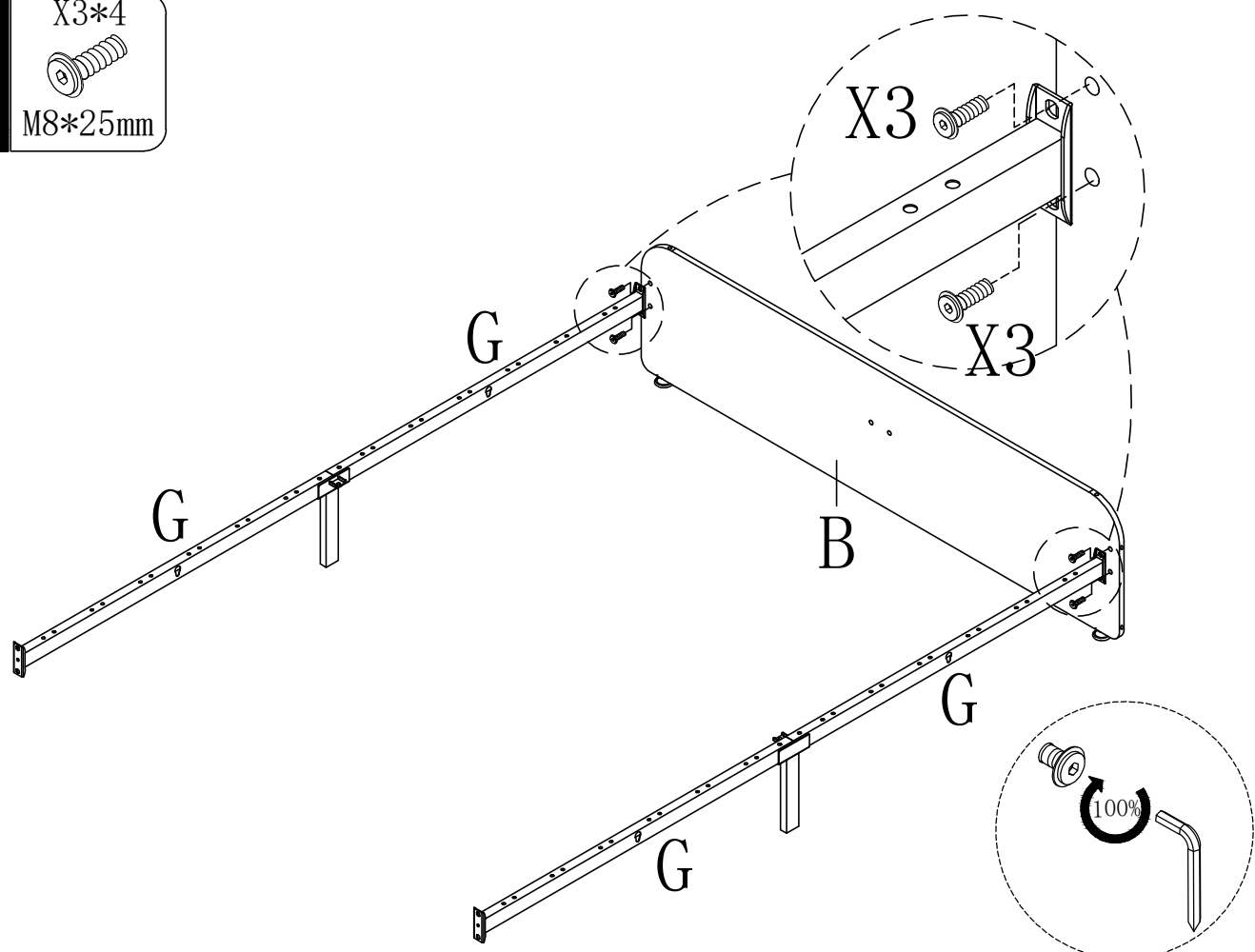


3

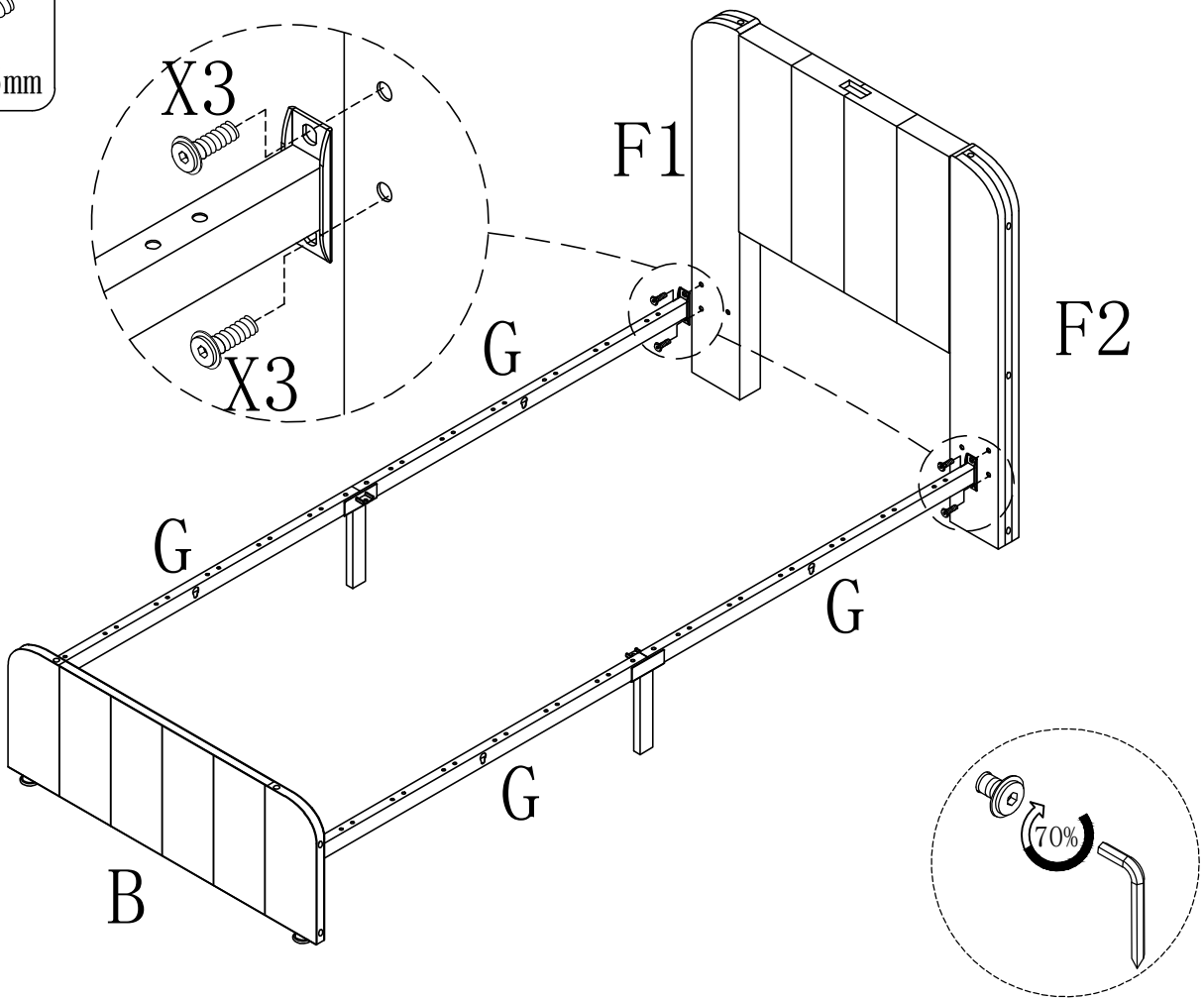


4

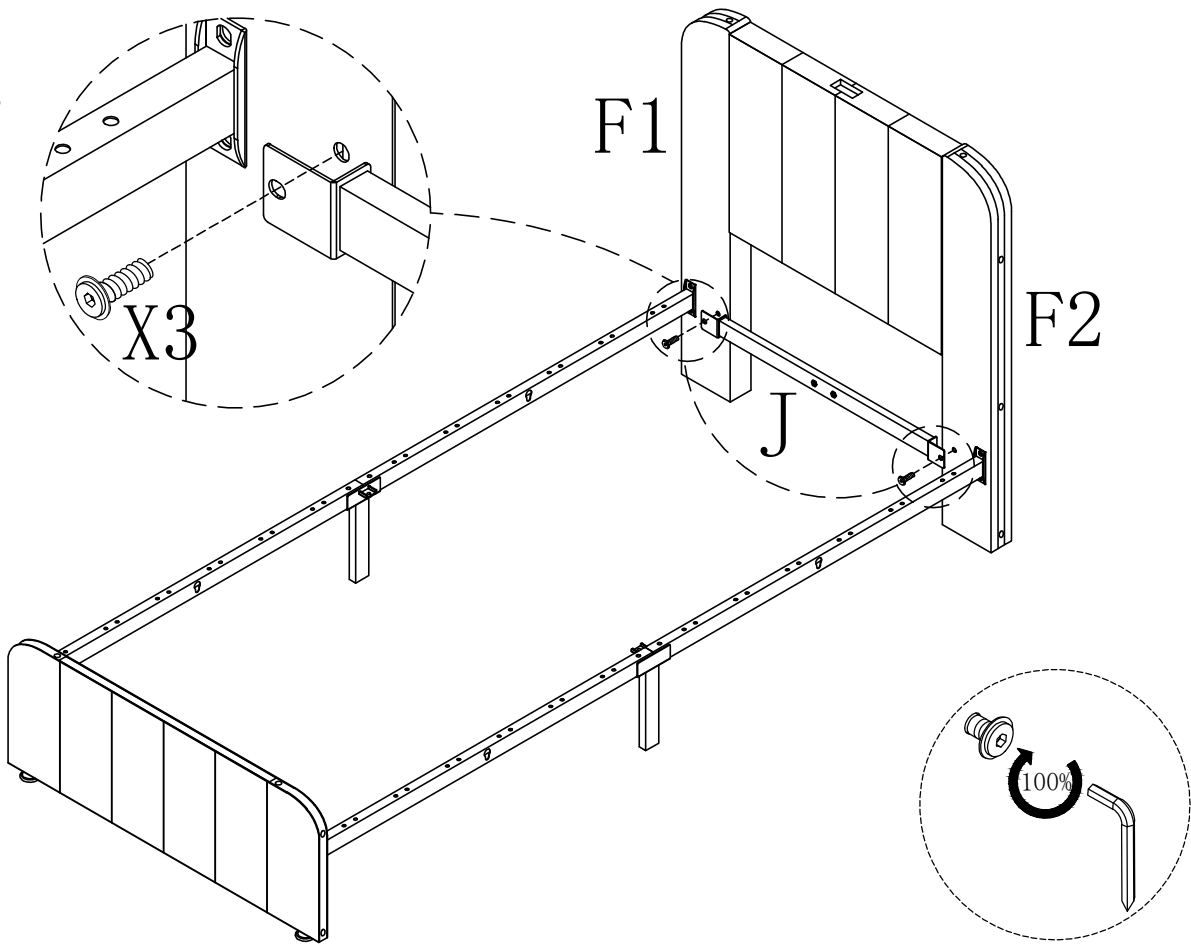
X3*4
M8*25mm






5 X3*4
M8*25mm

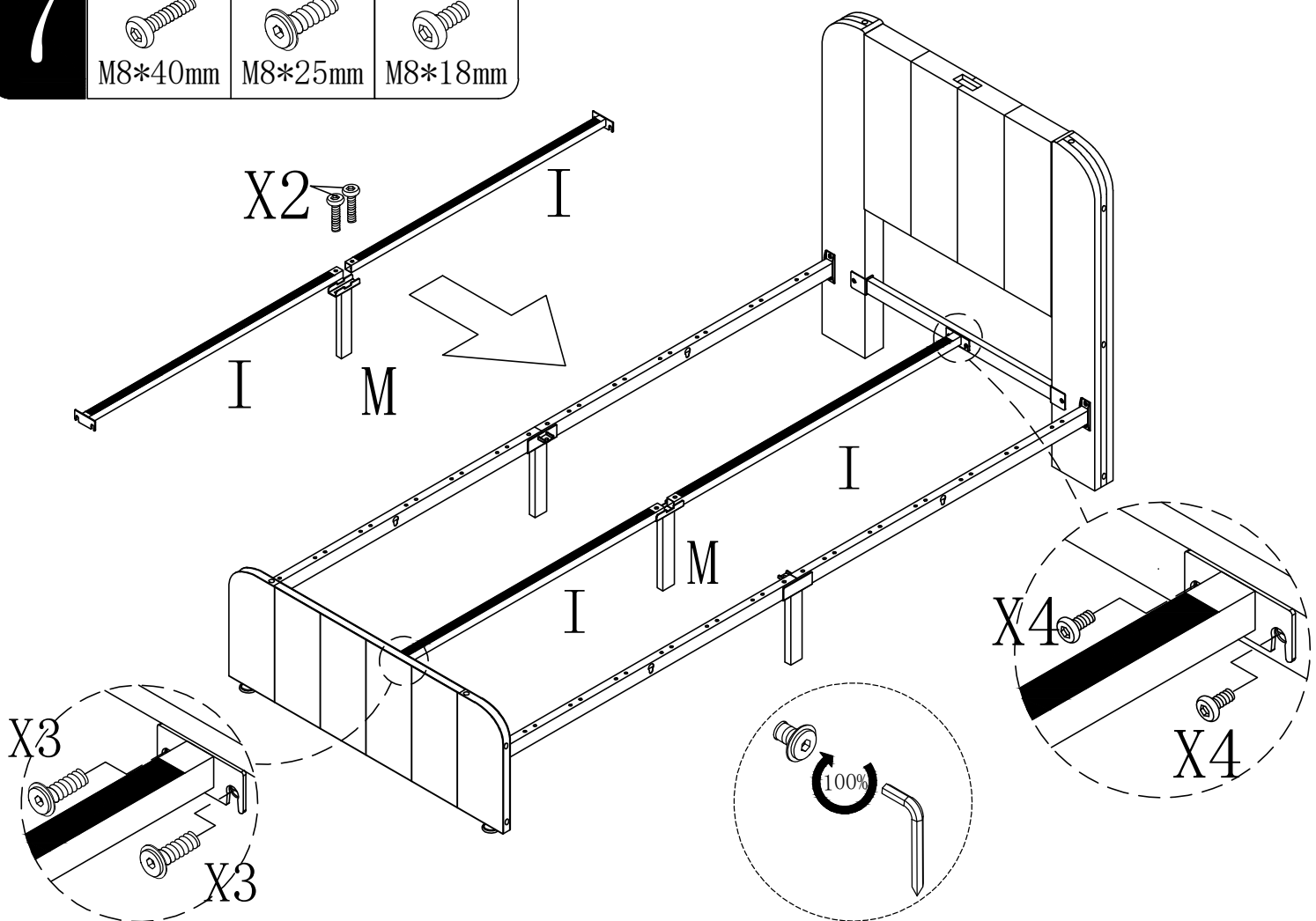


6 X3*2
M8*25mm





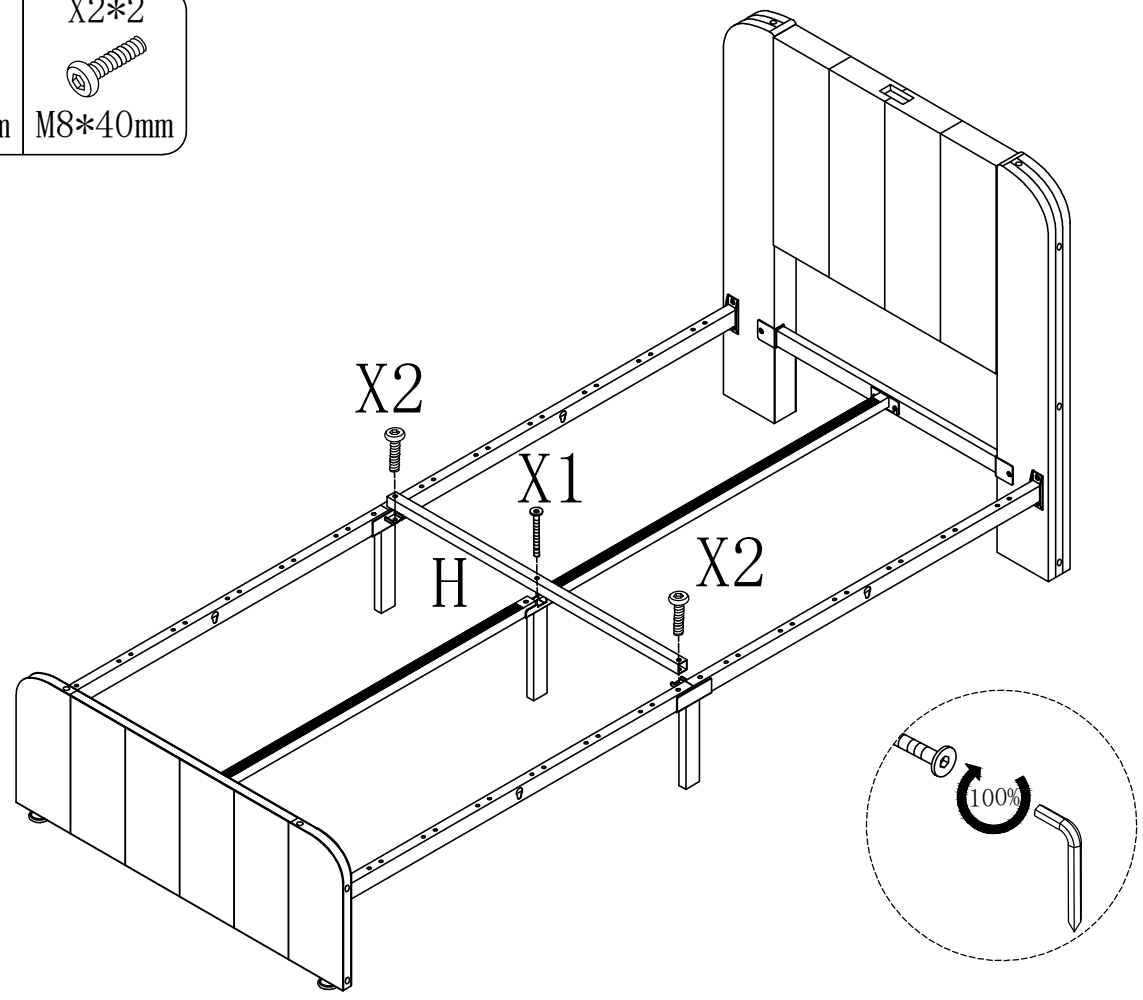
7

| | | |
|---|---|---|
| X2*2  M8*40mm | X3*2  M8*25mm | X4*2  M8*18mm |
|---|---|---|

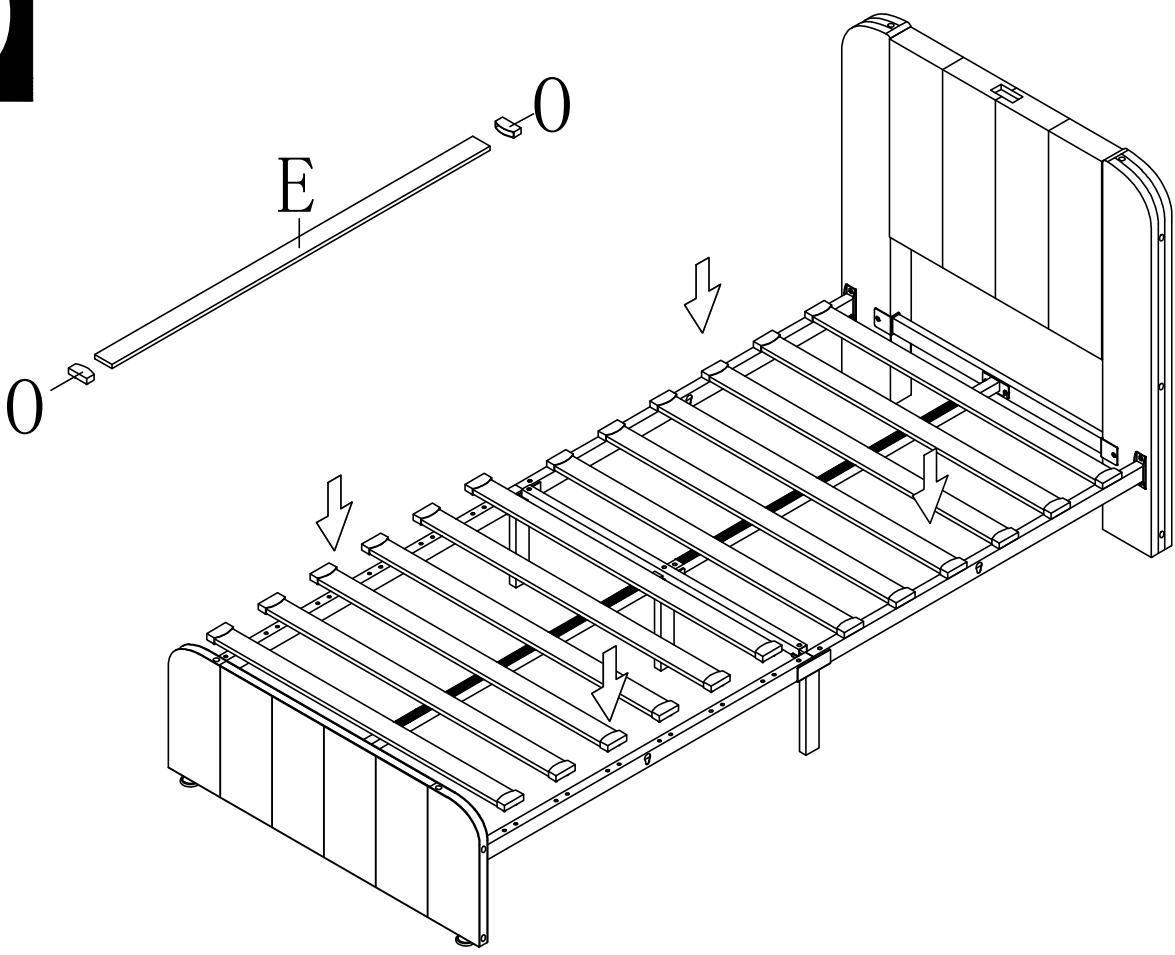


8

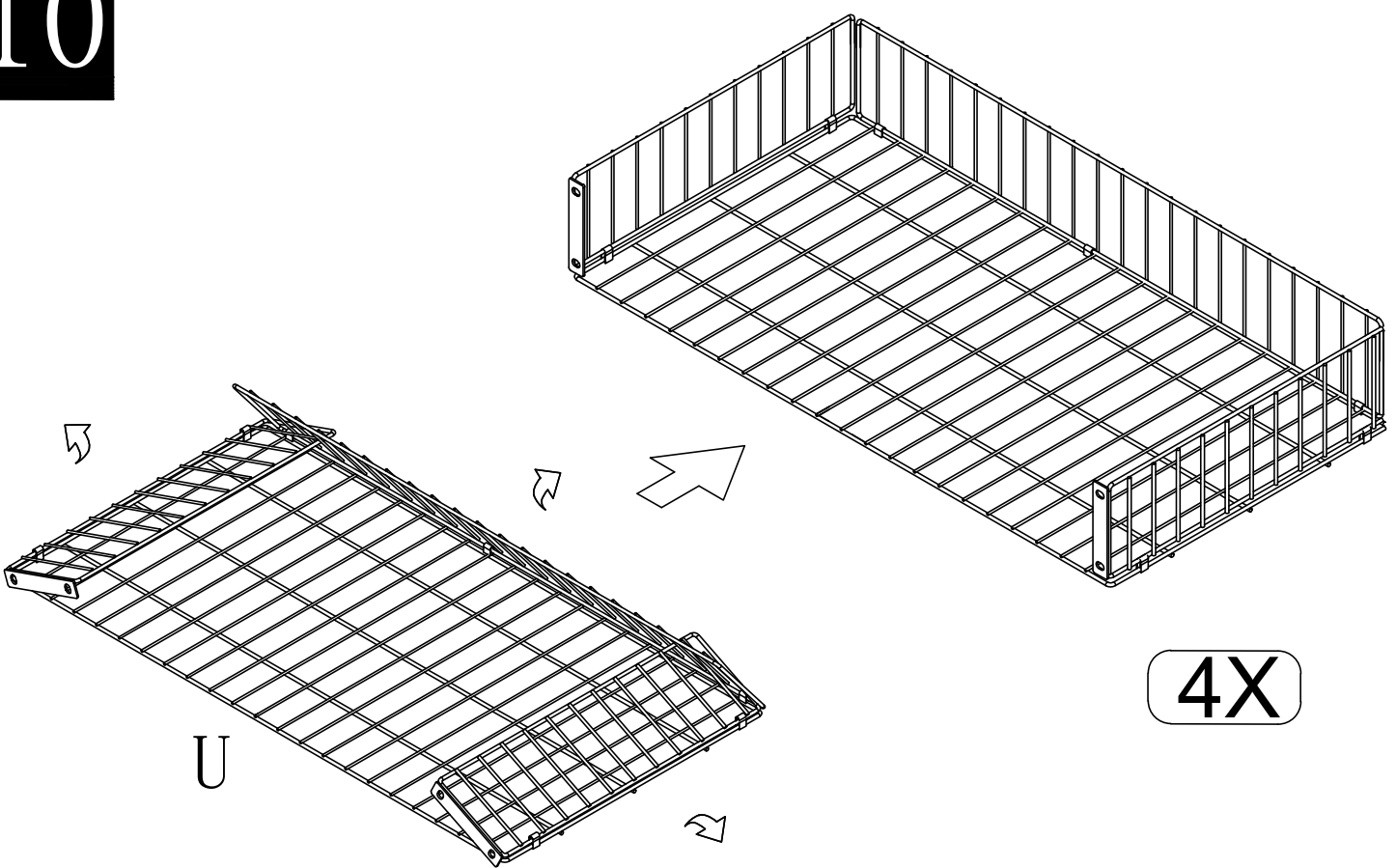
| | |
|--|--|
| X1*1  M8*50mm | X2*2  M8*40mm |
|--|--|



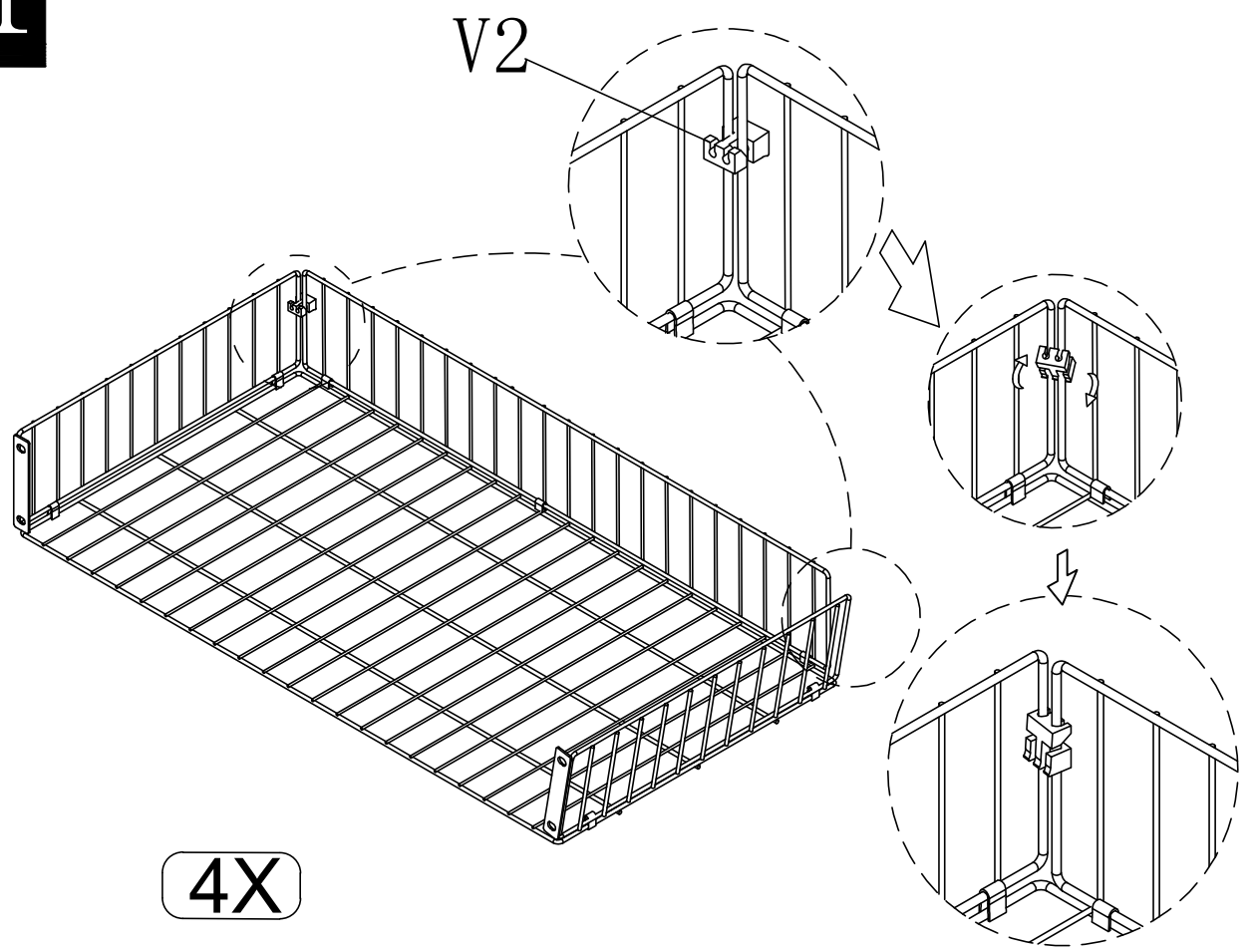
9



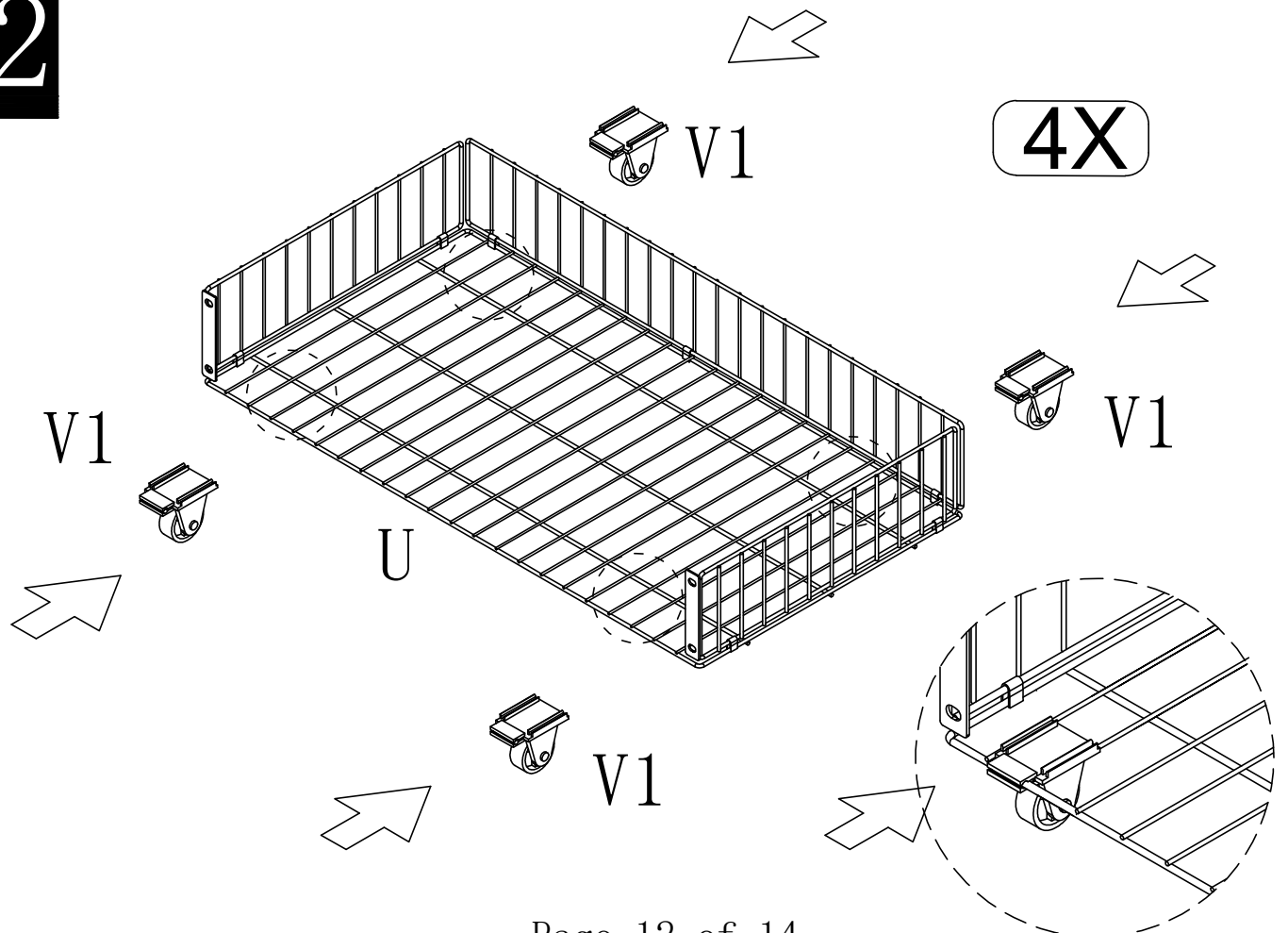
10



11

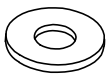


12

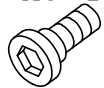


13

Y*4



X5*4

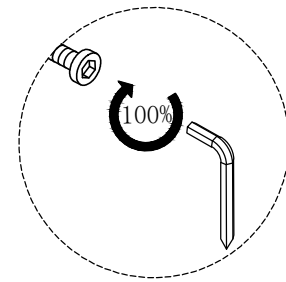


M8*12mm

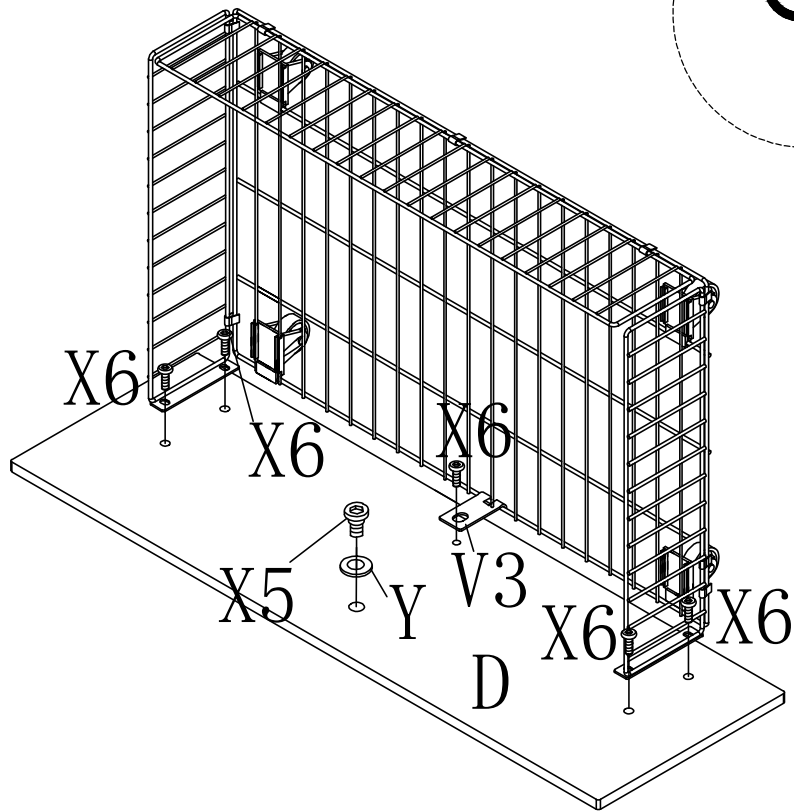
X6*20



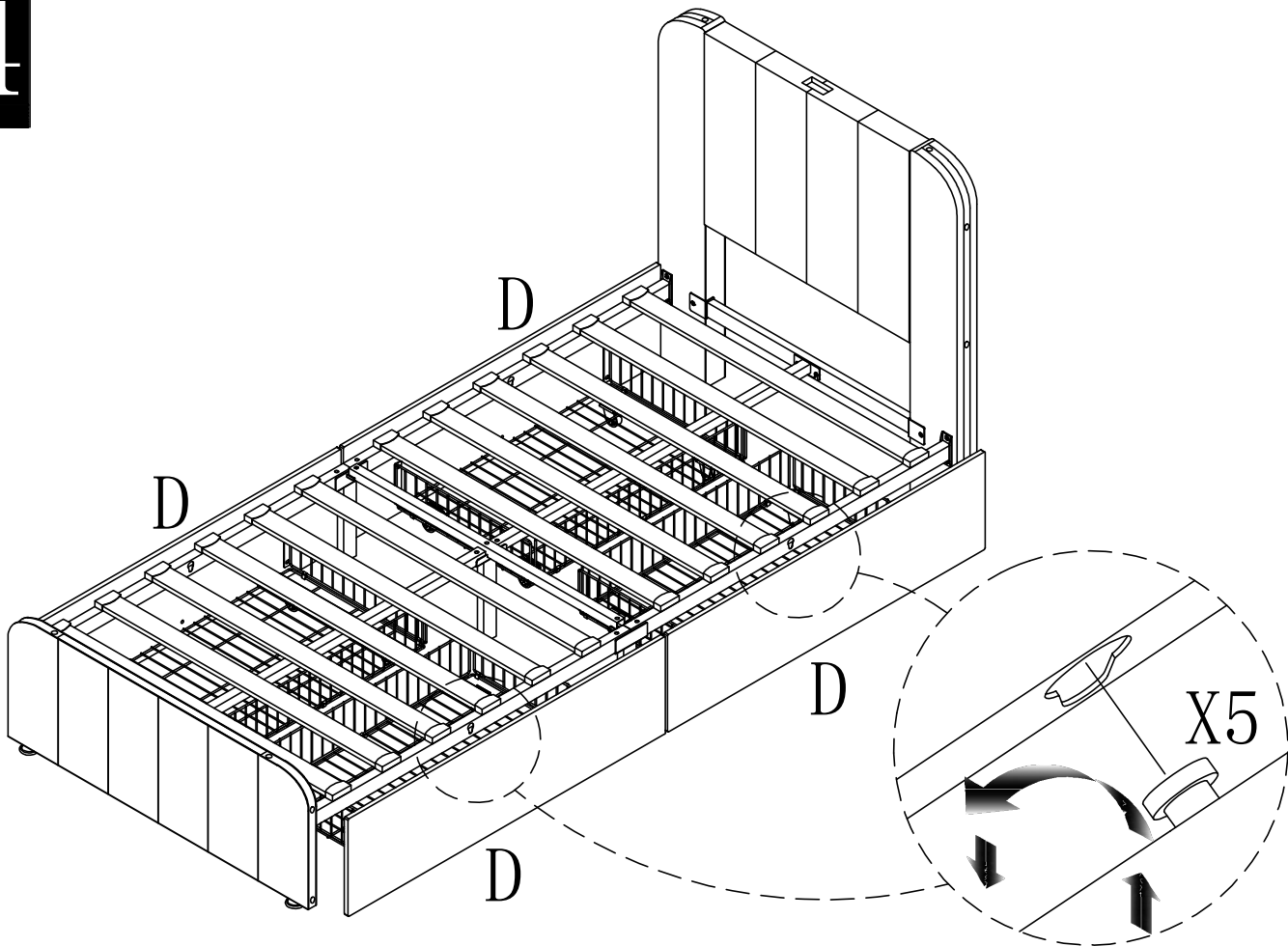
M6*14mm



4X

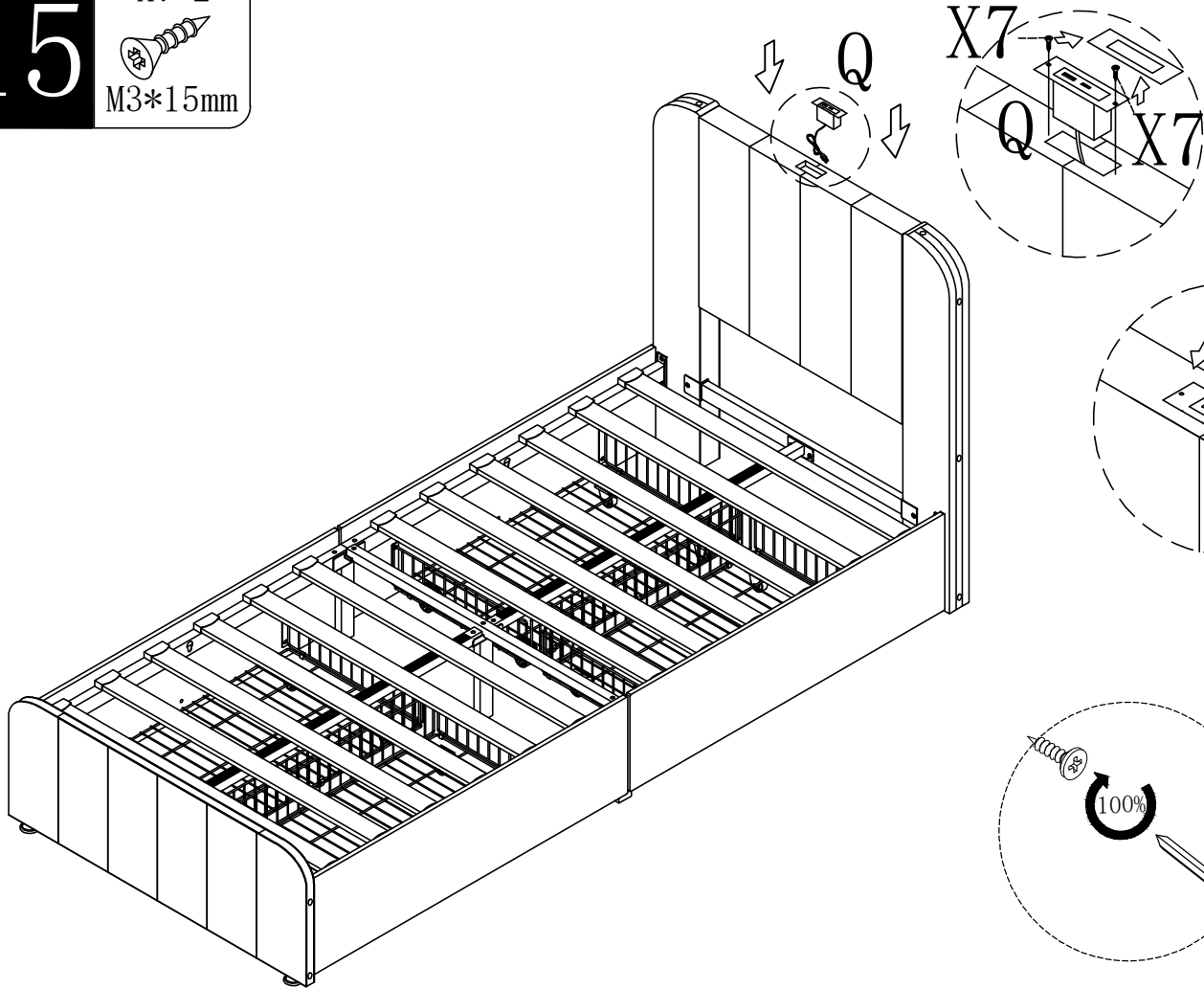
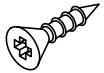


14

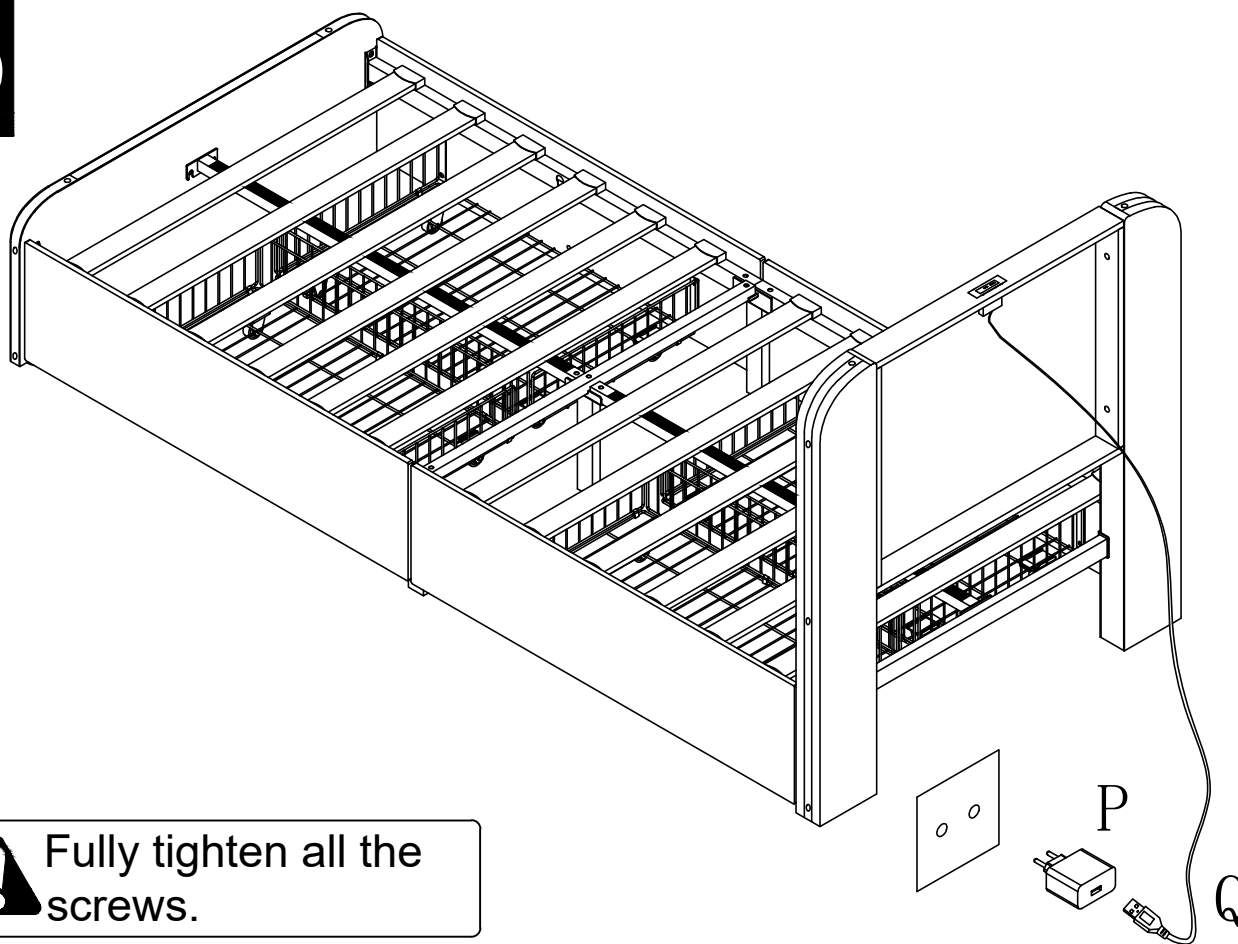



15

X7*2
M3*15mm



16



 Fully tighten all the screws.

Reference No. : WTN22D07148186Z
Applicant : Guangdong Zhangong Electric Technology Co., Ltd.
Address : Room 701, Building 29, Shunde Zhifu Park, No.8, 2nd Ring Road, Gaozan village committee, Xingt an town, Shunde District, Foshan City, Guangdong Province
Manufacturer : The same as above
Address : The same as above
Product : Power Strip
Model No. : See model list
Technical data : Input:250V~, 50/60Hz, 16A USB Output:DC 5V,2.0A

**Test Standards:**

DIN VDE 0620-1(VDE 0620-1) : 2019

The above product has been tested by us with the listed standards and found in compliance with the European Directive LVD 2014/35/EU. It is possible to use CE marking to demonstrate the compliance with this LVD Directive.

Plugs and socket-outlets for household and similar purposes Part 1: General requirements

The referred test report(s) show that the product complies with standard(s) recognized as giving presumption of compliance with the essential requirements in the above mentioned EU Directive. Other relevant Directives have to be observed.

After preparation of the necessary technical documentation as well as the EU Declaration of Conformity, the CE marking as shown below can be affixed on the equipment under the sole responsibility of the manufacturer.



Manager: Deval Qin
Date:2022-8-25

The statement is based on a single evaluation of the sample of above mentioned product. It does not imply an assessment of the whole production.

Waltek Testing Group Co., Ltd.

Hotline:400-840-2288

E-mail:info@waltek.com.cn

Http://www.waltek.com.cn

Ver.02. 29.07.2022, WALTEK is registered trademark. Utilisation and application requires prior approval.

Attachment

Model list



Reference No.: WTN22D07148186Z

Model list

| Product name | Model Name | Description |
|--------------------|------------------|--|
| Power Strip | G-PDUM0/12A/15A | 250V~ 16A, IP20, Class I, with multi-ways DIN49440-1 socket-outlets with shutter, with USB output, with a non-rewirable plug with cord H05VV-F 3G1,5mm2. |
| | ZG-PDUG1/10A/16A | |
| | ZG-PDUG2/10A/16A | |
| | ZG-PDUG3/10A/16A | |
| | ZG-PDUG4/10A/16A | |
| | ZG-PDUF/10A/16A | |
| | ZG-PDUW1/10A/16A | |
| | ZG-PDUW2/10A/16A | |
| | ZG-PDUB/10A/16A | |
| | ZG-PDUC3/10A/15A | |
| | ZG-PDUC9/10A/15A | |
| | ZG-PDUA/10A/15A | |
| | ZG-PDUY/10A/15A | |
| | ZG-JJ/12A/15A | |
| | ZG-HG/12A/15A | |
| | ZG-ZJ/12A/15A | |
| | ZG-SJ/12A/15A | |
| | ZG-DQ/12A/15A | |
| ZG-PC/12A/15A | | |
| ZG-PDU J00/10A/16A | | |

=====End of Attachment=====

Waltek Testing Group Co., Ltd.

Hotline:400-840-2288

E-mail:info@waltek.com.cn

Http://www.waltek.com.cn

Ver.02. 29.07.2022, WALTEK is registered trademark. Utilisation and application requires prior approval.