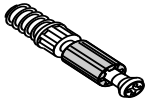
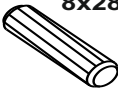

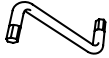
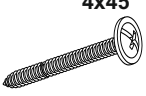



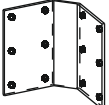
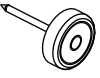

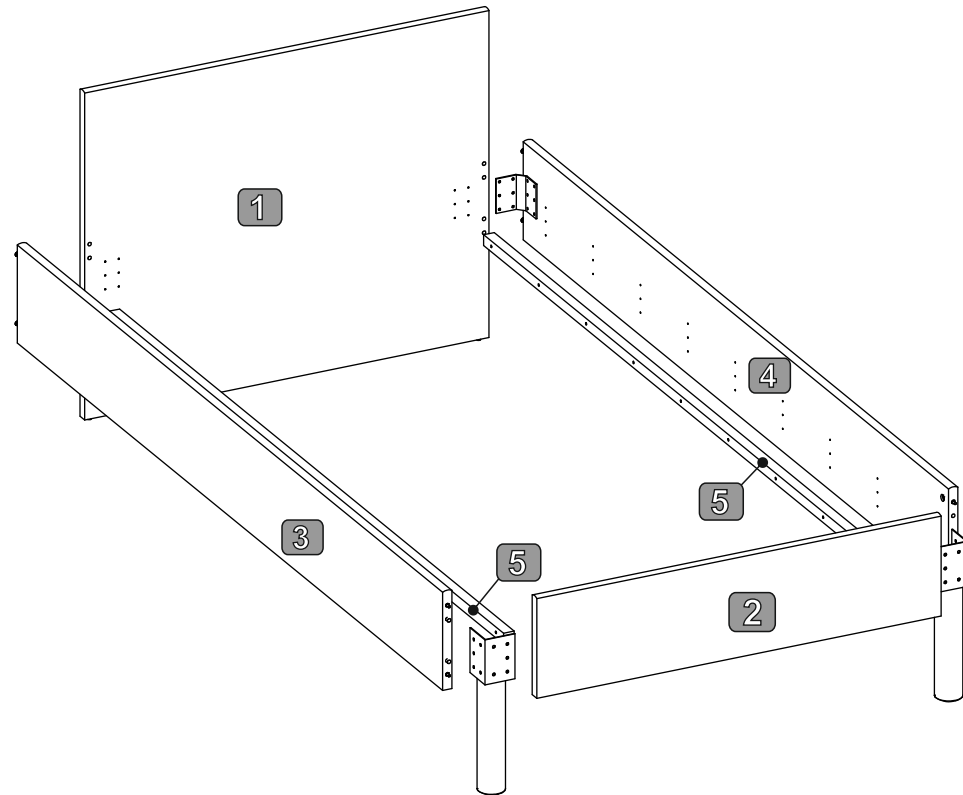
 15x12 4x T02	 4x T01	 8x28 8x D01	 7x70 4x W70	 1x K01	 4x45 18x W17	 3,5x16 24x W26	 6,3x20 12x W29	 4x20 8x W27	 2x K80
 2x S01	 2x S08								

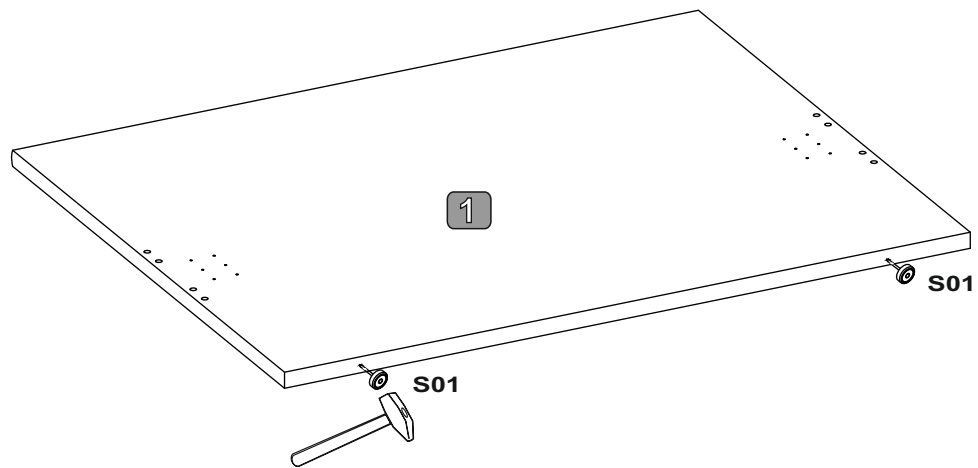
NR	DIM	QTE	COLLI
1	955x760x22	1	2/2
2	955x234x22	1	1/2
3	2010x230x22	1	1/2
4	2010x230x22	1	1/2
5	1864x25x25	2	1/2
S08	364x70x70	2	1/2


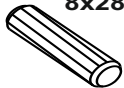

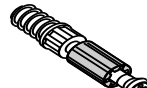
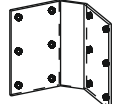


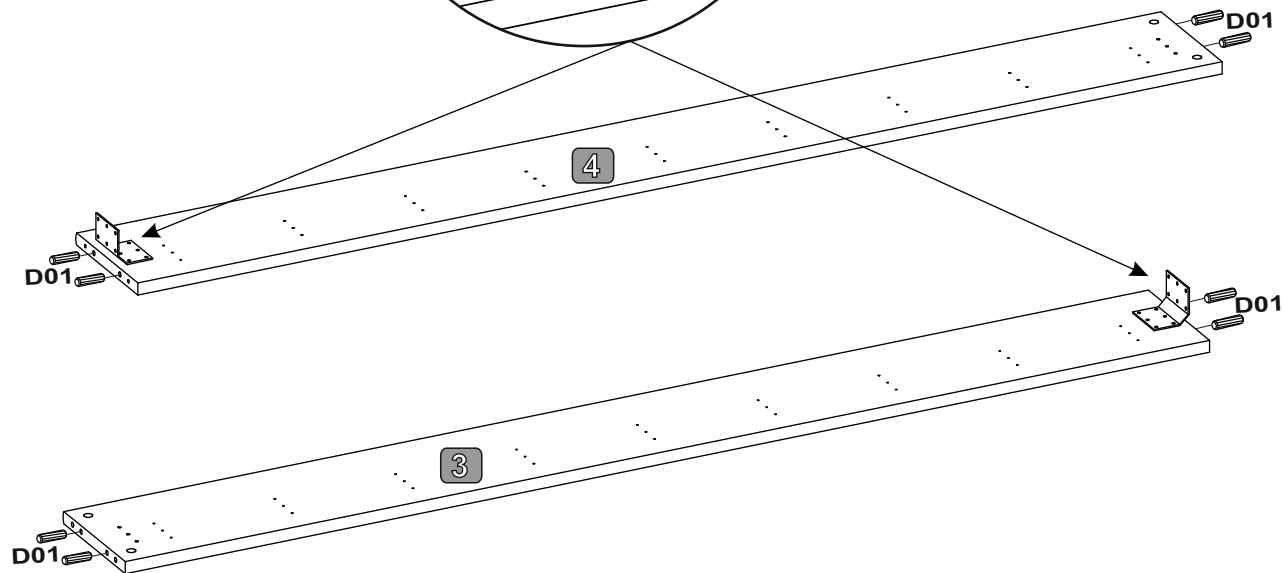
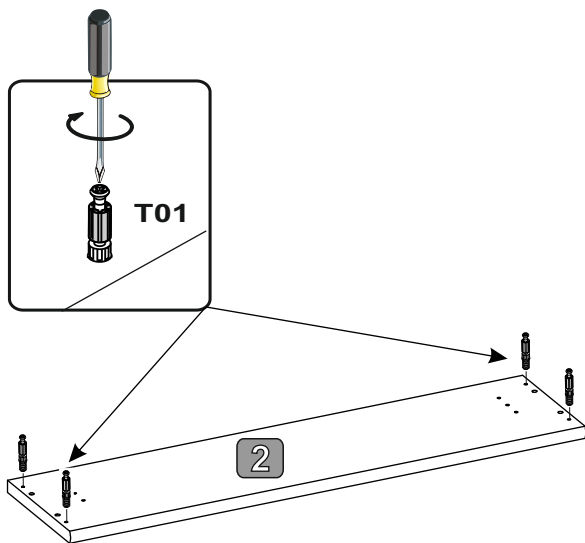
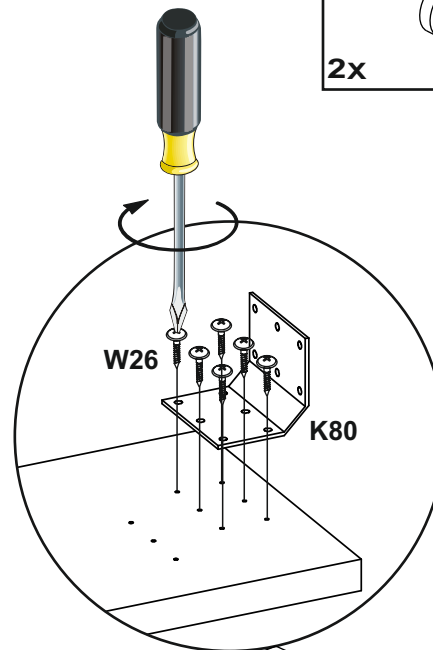
0 10 20 30 40 50 60 70 80 90 100 110 120 130 140 150 160 170 180 190 200



# 1

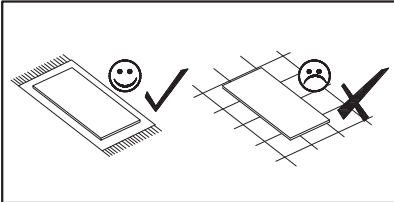
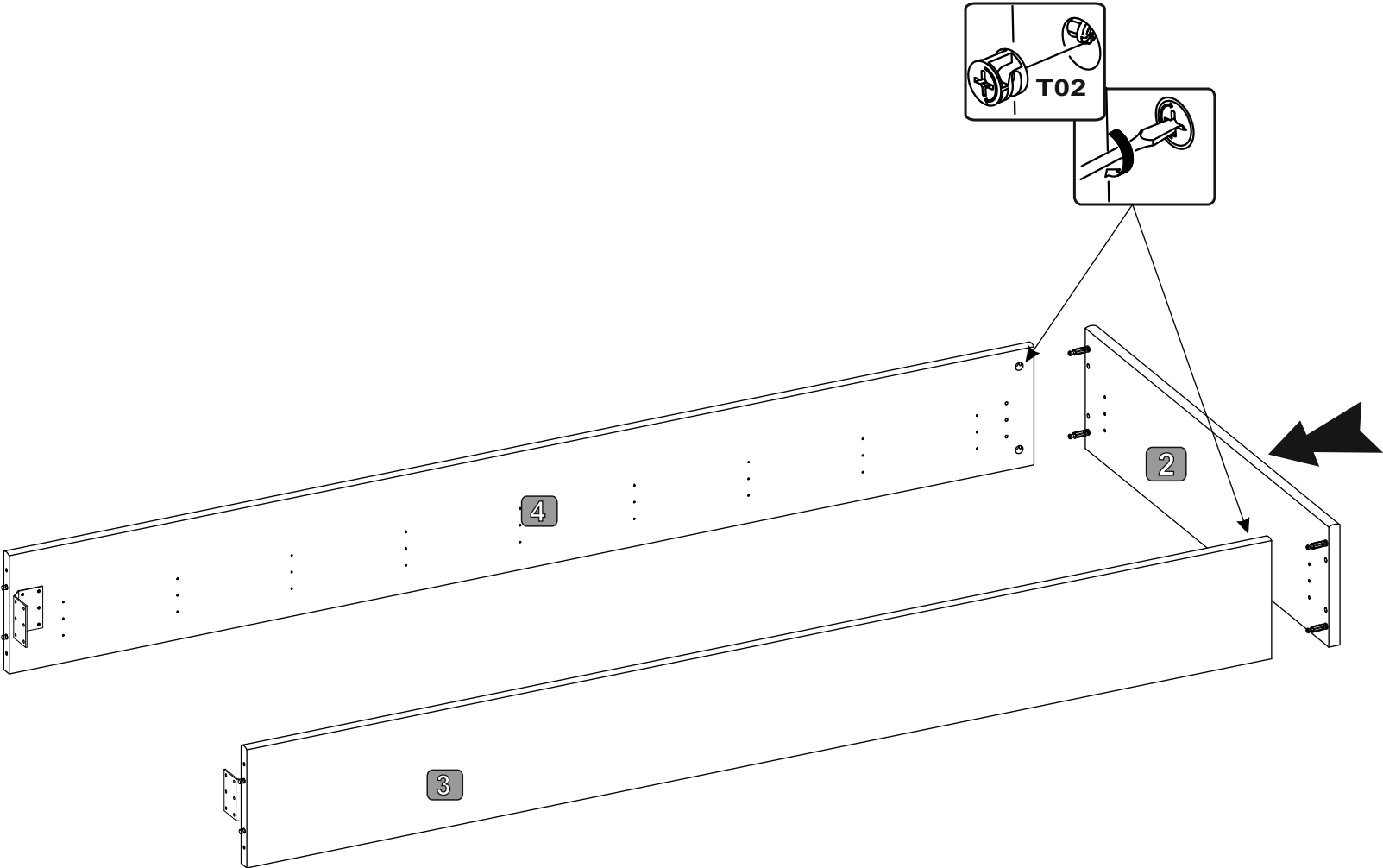
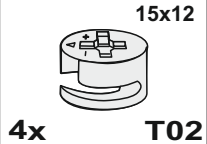


2x		S01	8x		D01	12x		W26
4x		T01	2x		K80			

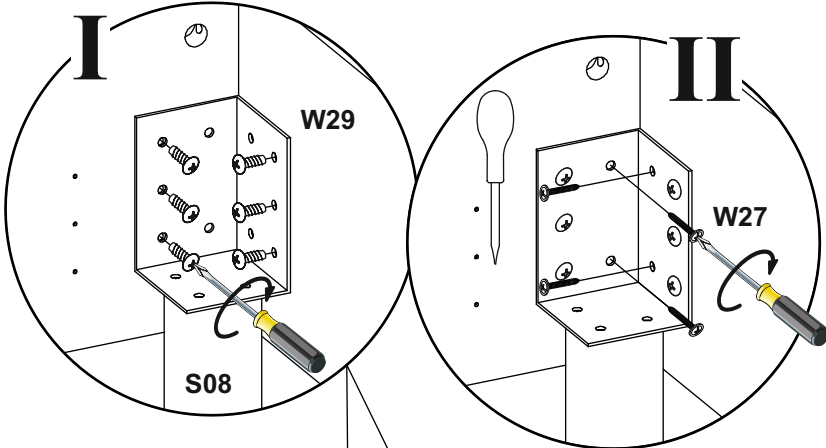


2

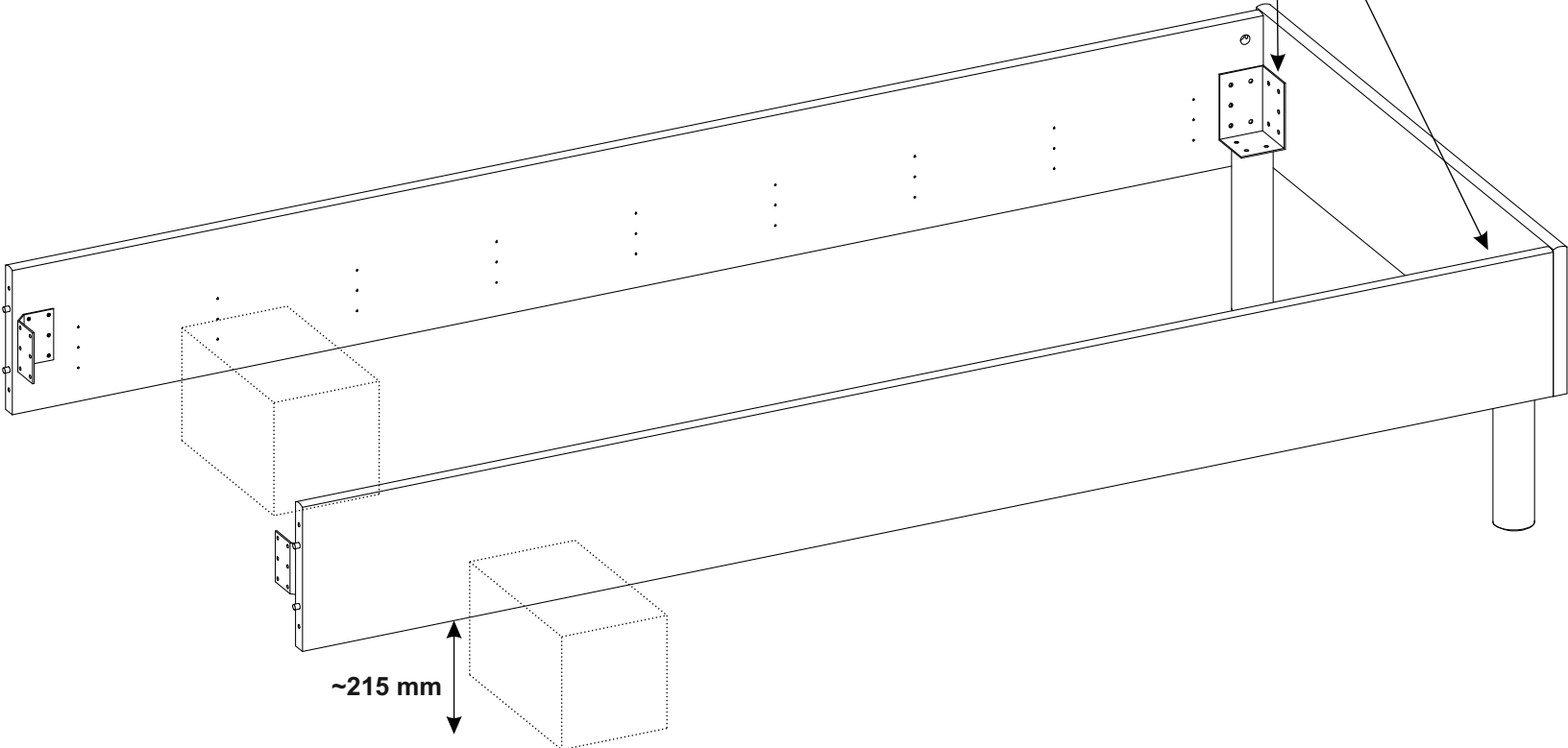
15x12  
4x T02



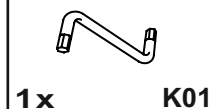
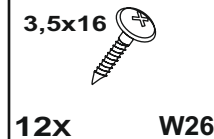
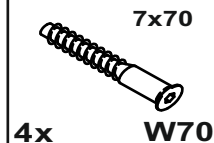
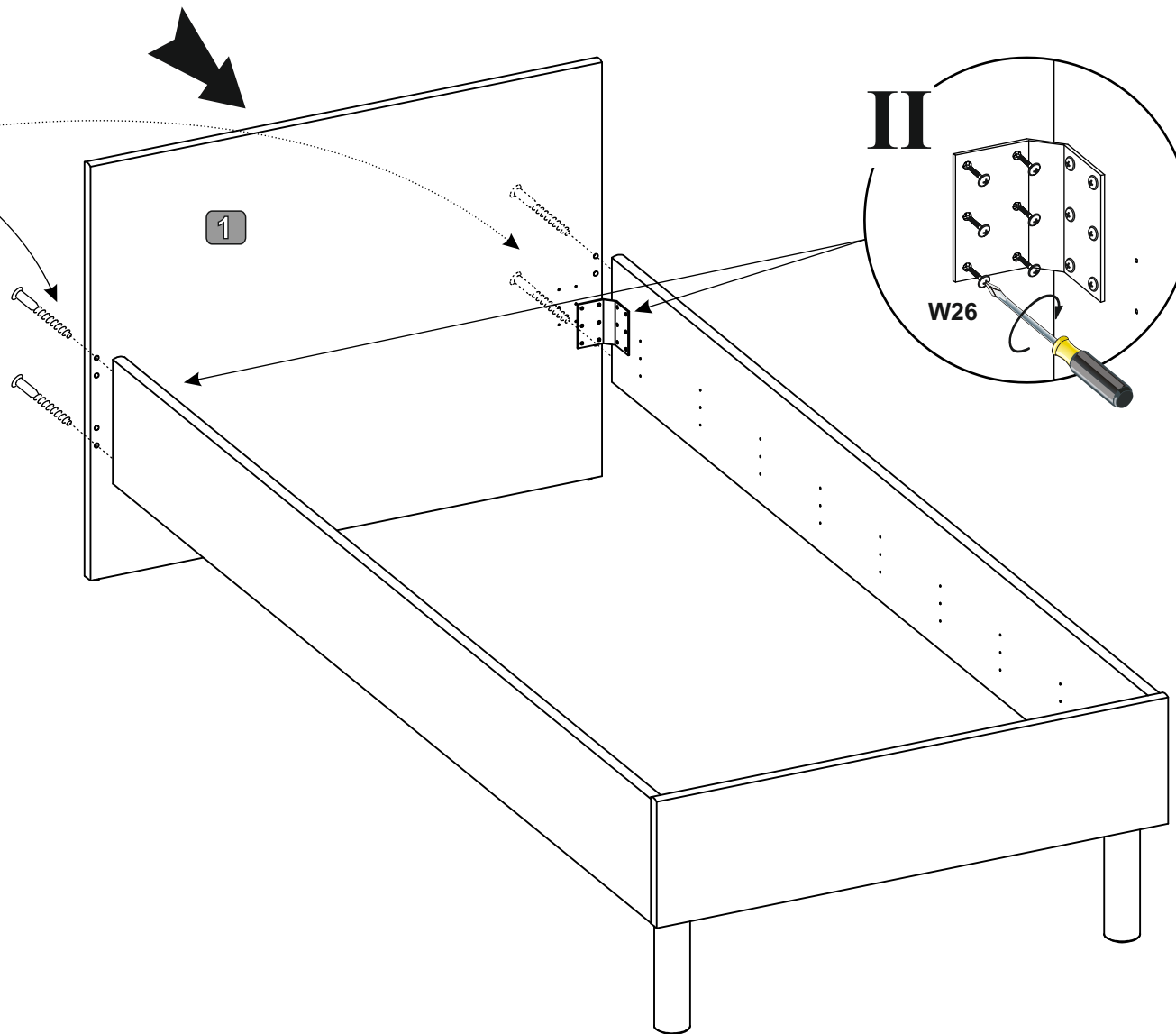
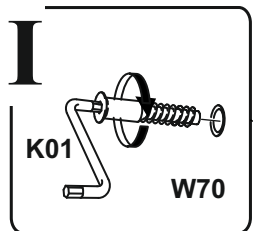
3



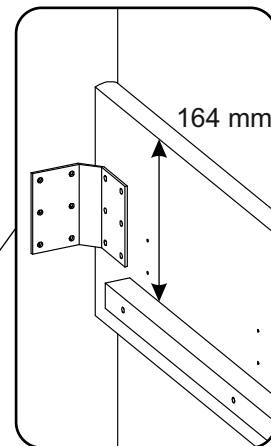
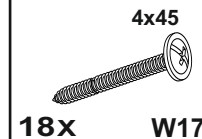
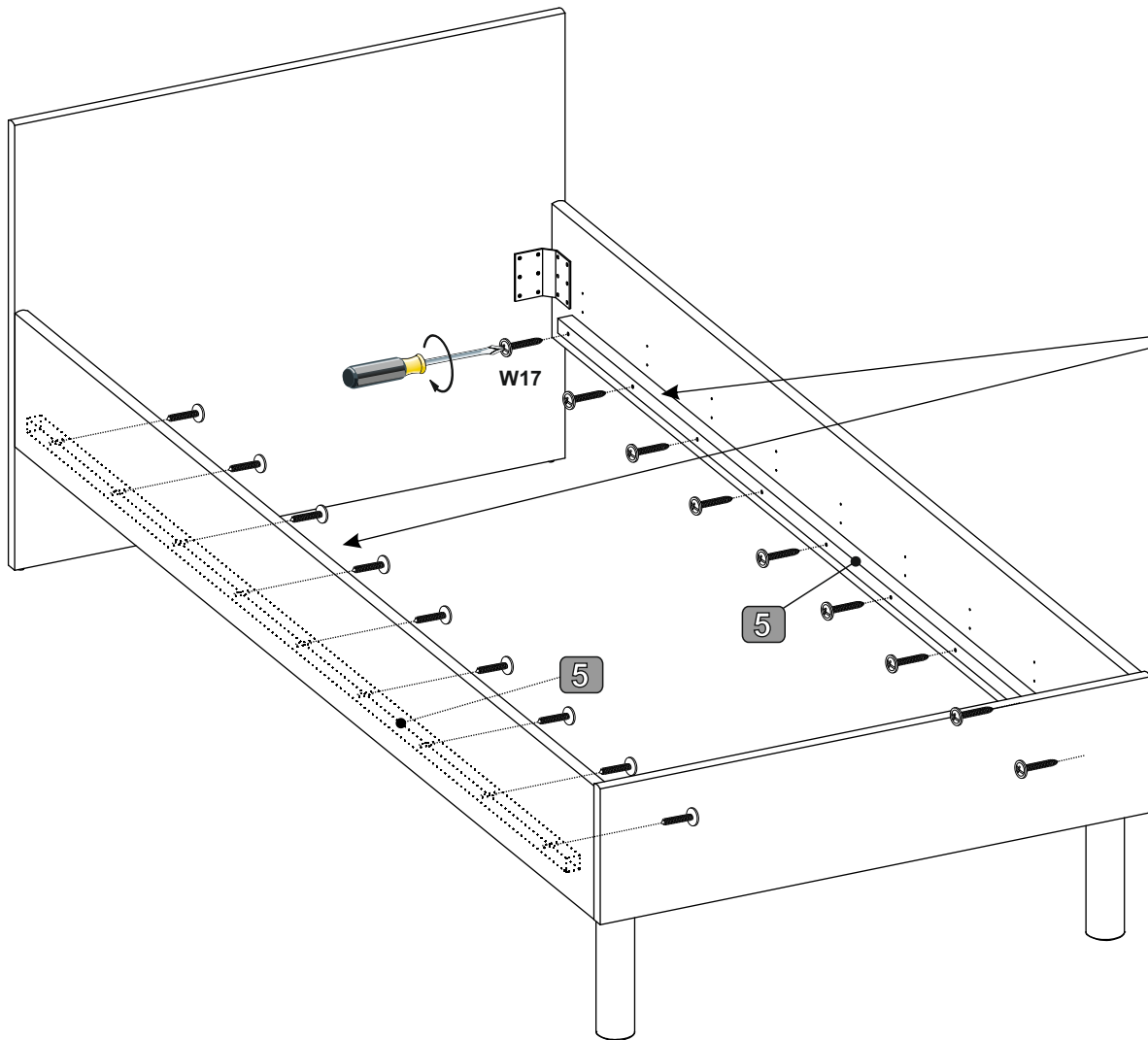
- 6,3x20  
12x W29
- 4x20  
8x W27
- S08  
2x S08



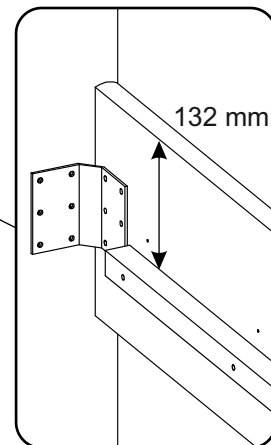
4



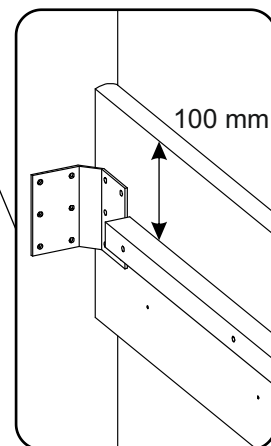
5



V. A



V. B



V. C

6

