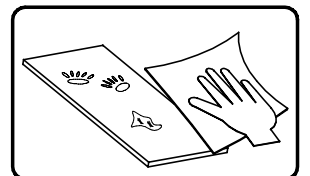
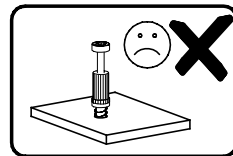
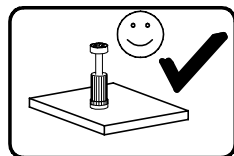
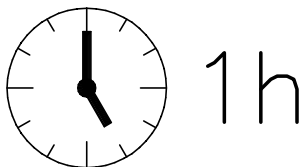
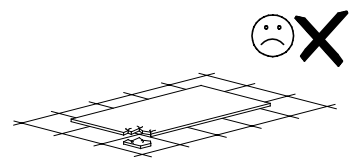
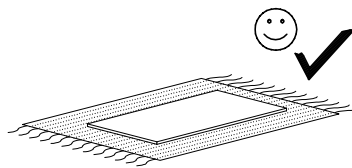
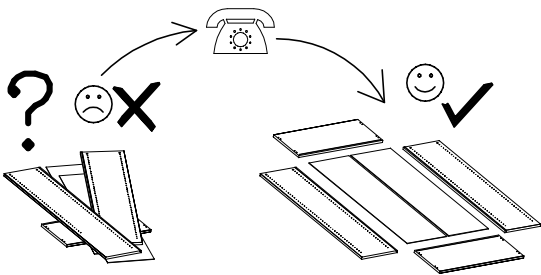
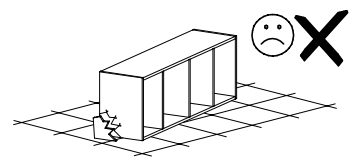
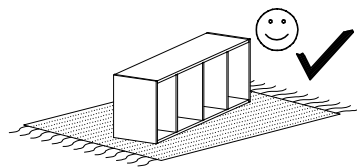
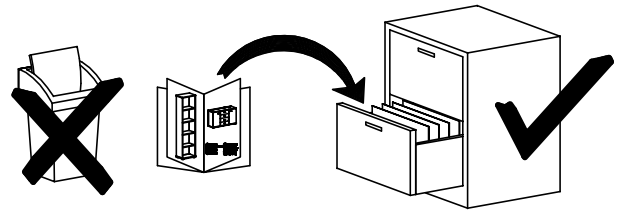
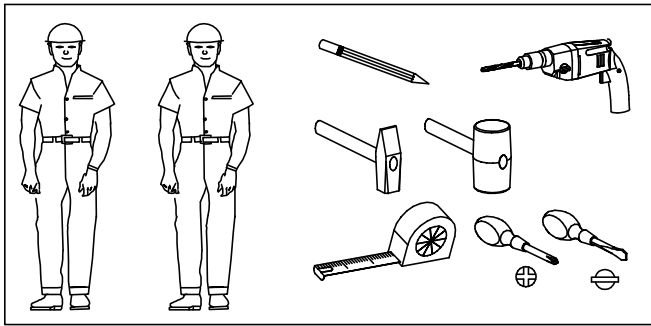
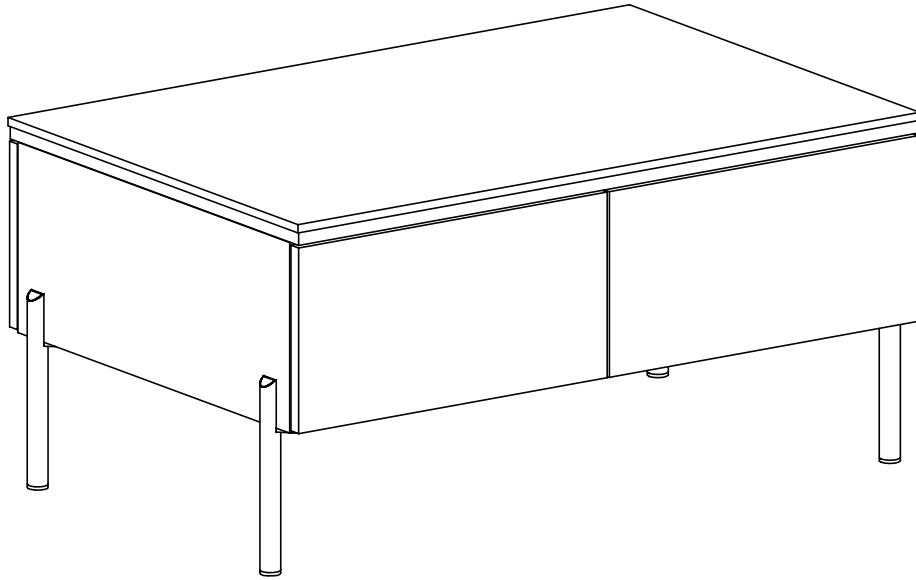
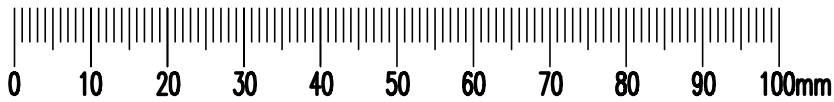
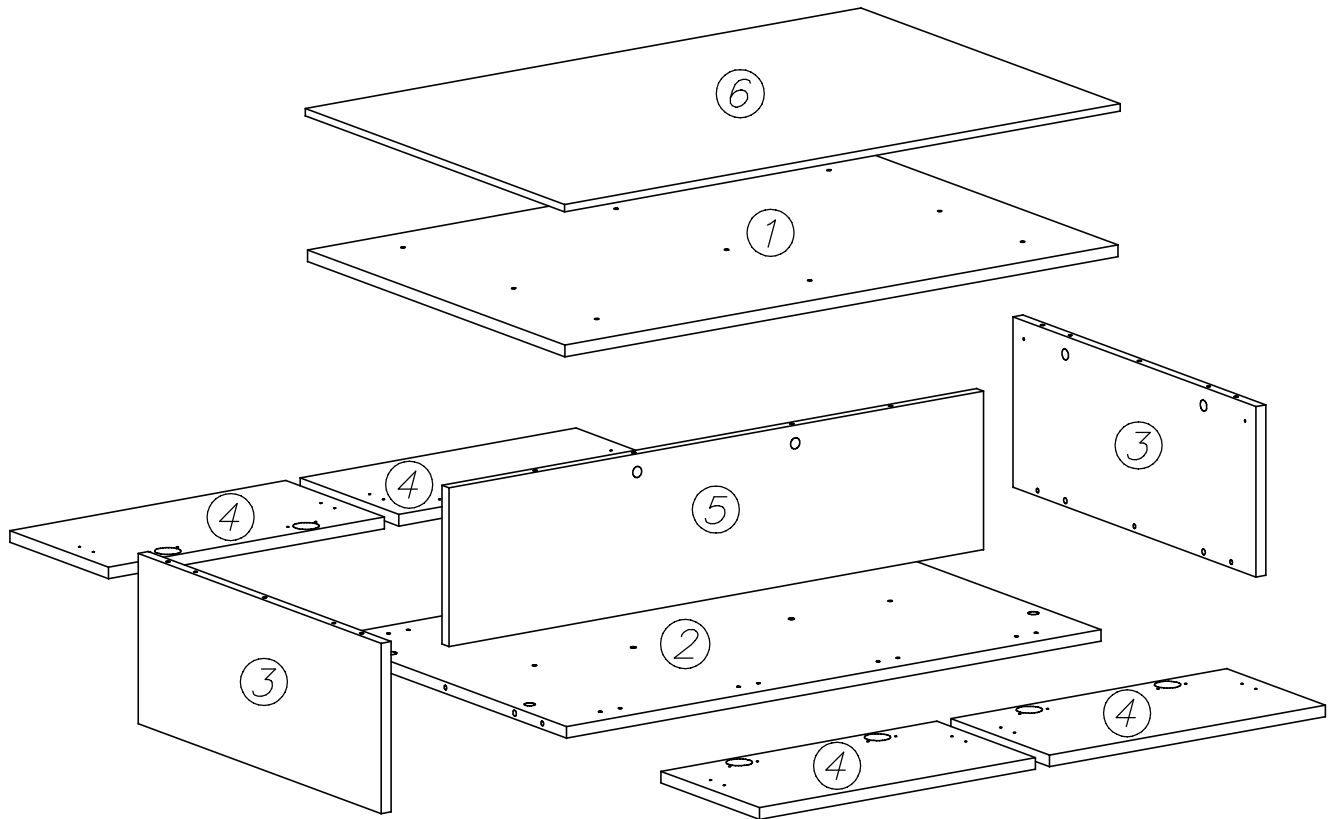
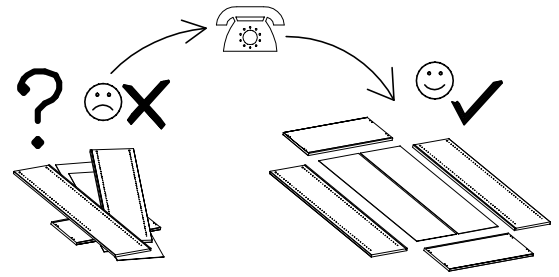
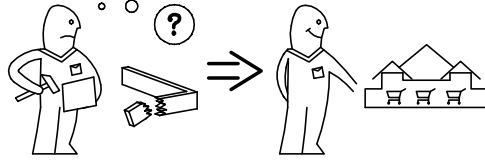
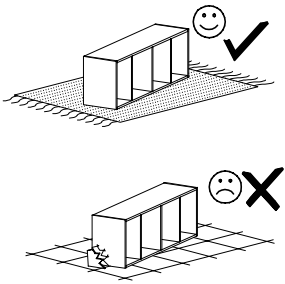
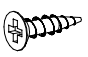
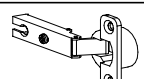

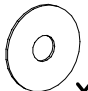
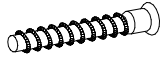
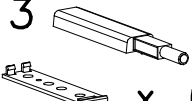
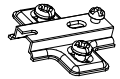
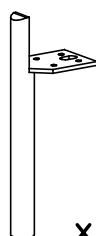
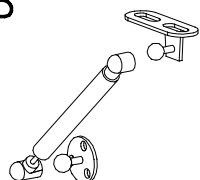


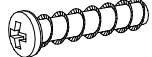
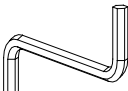
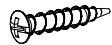

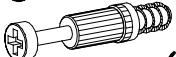



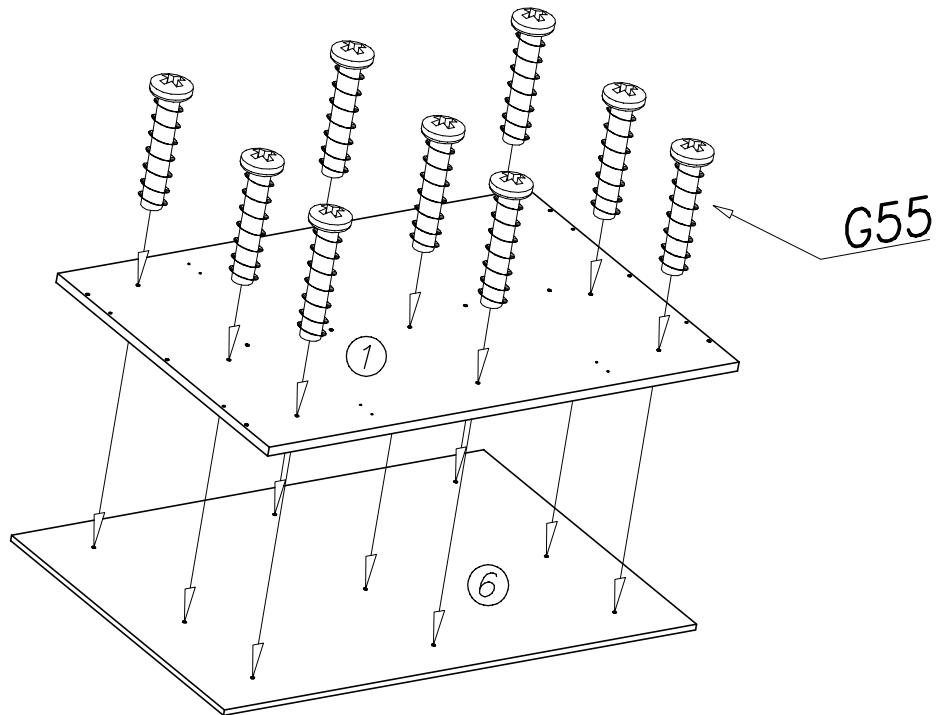
# AURORA ława



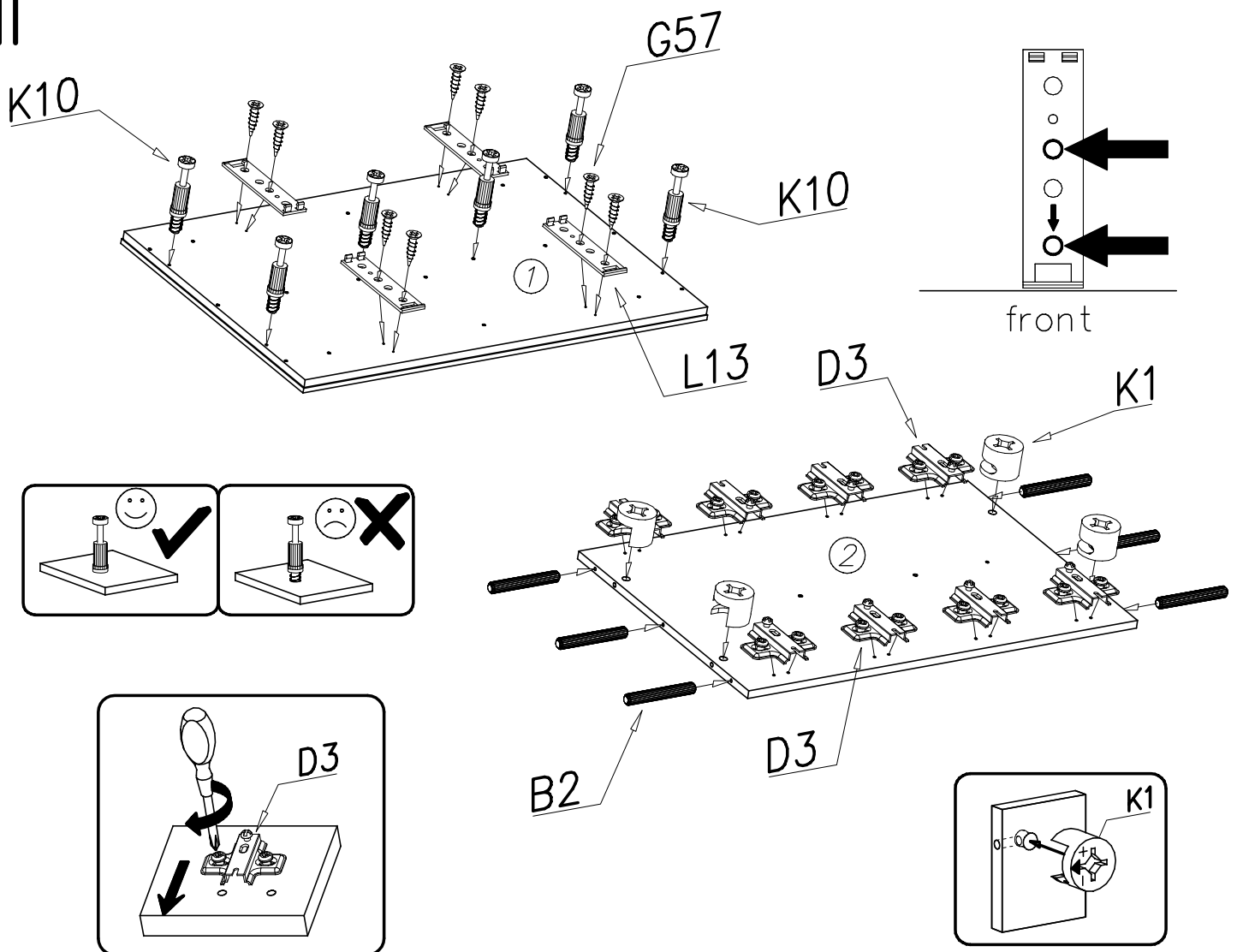


G57  3,5x16 x...(8)	C3  Z35PR x...(8)	G43  5x20 x...(4)	S13  x...(4)	A1  Ø7x50 x...(2)
L13  x...(4)	D3  PZ35PR x...(8)	P47  x...(4)	L8  x...(4)	W1  GLUE, LEIM, LEPIDLO, LIM x...(1)
K1  Ø15x12 x...(10)	G55  6x22 x...(9)	W2  x...(1)	G32  3,5x16 x...(20)	B2  Ø6x35 x...(16)
K10  x...(10)	G4  4x16 x...(24)			

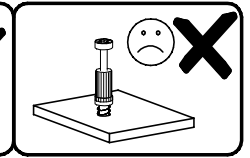
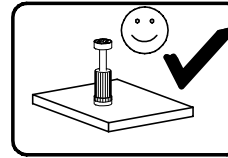
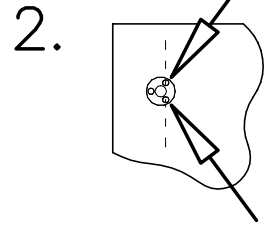
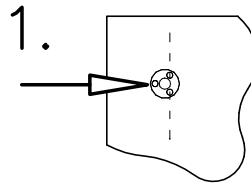
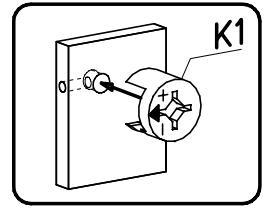
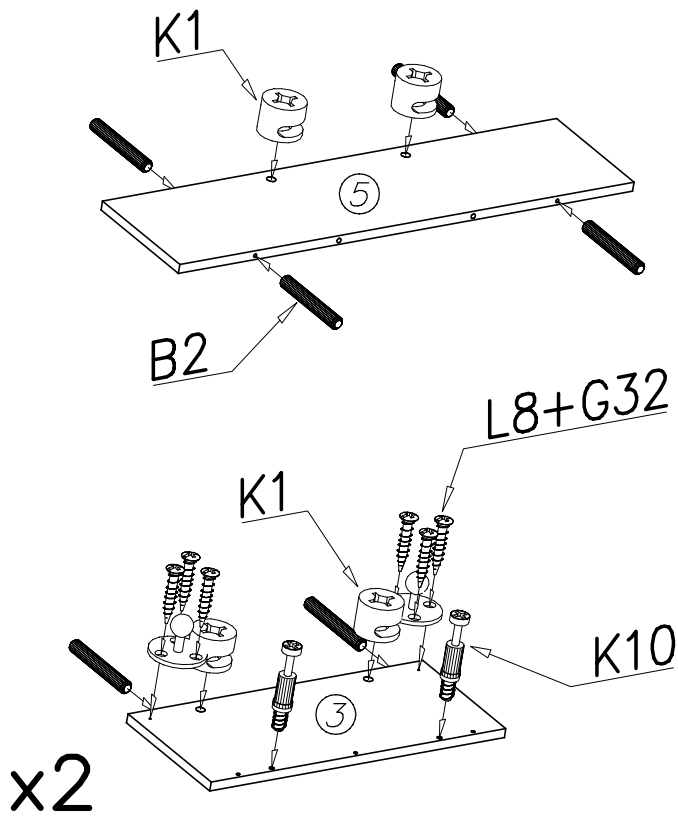
I



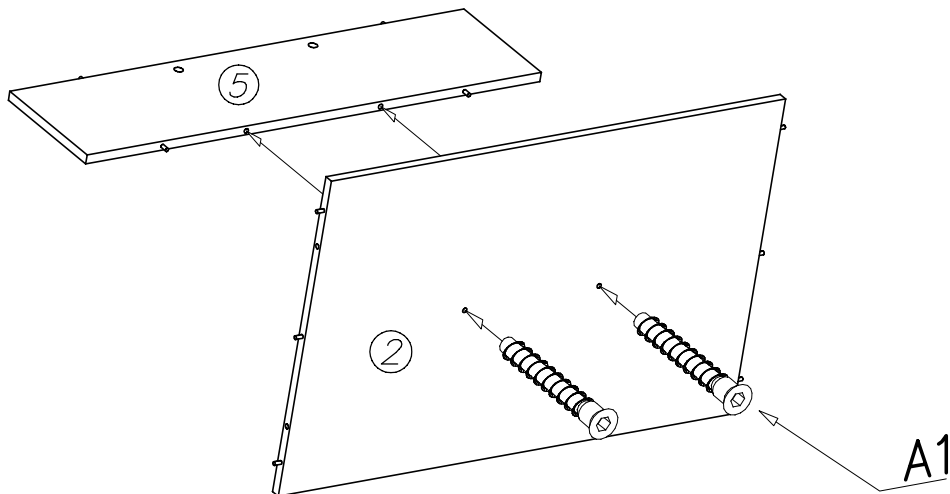
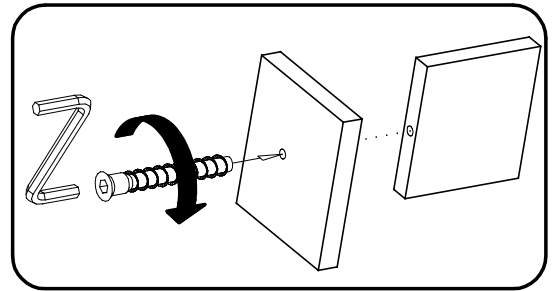
II



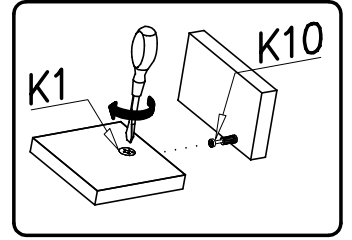
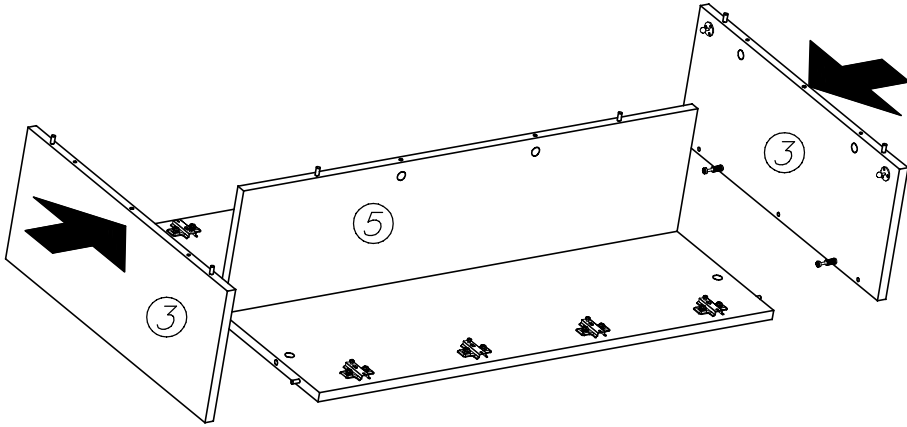
III



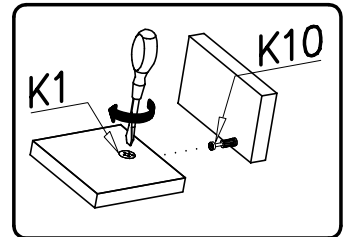
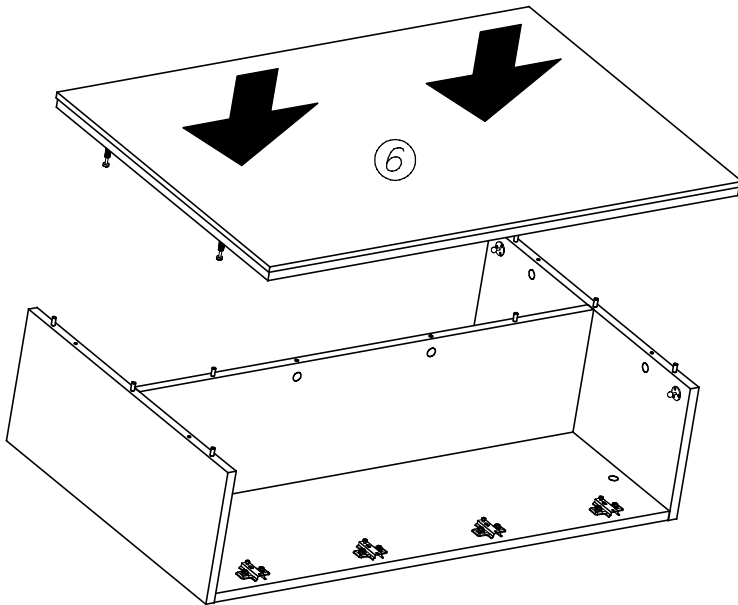
IV



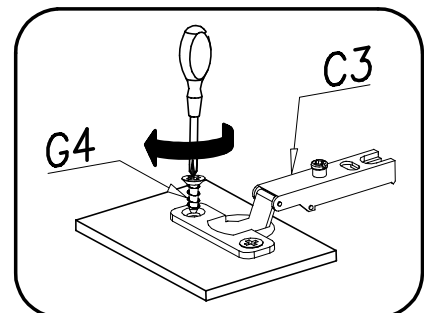
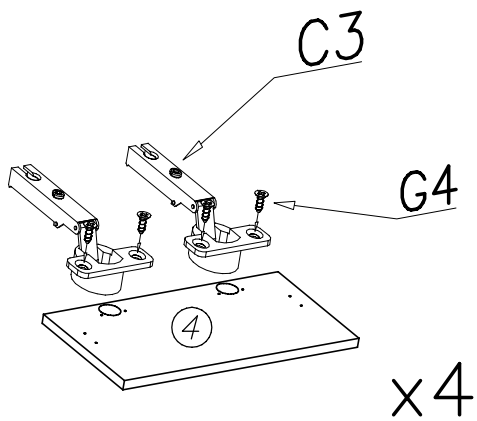
V



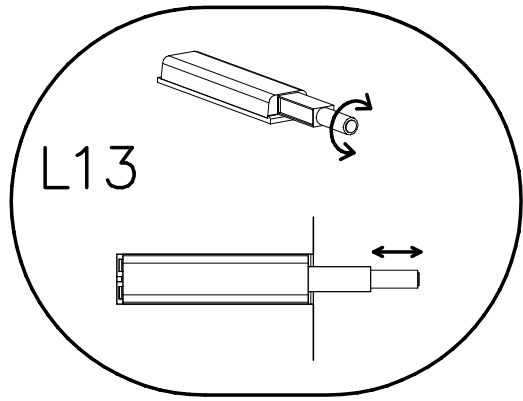
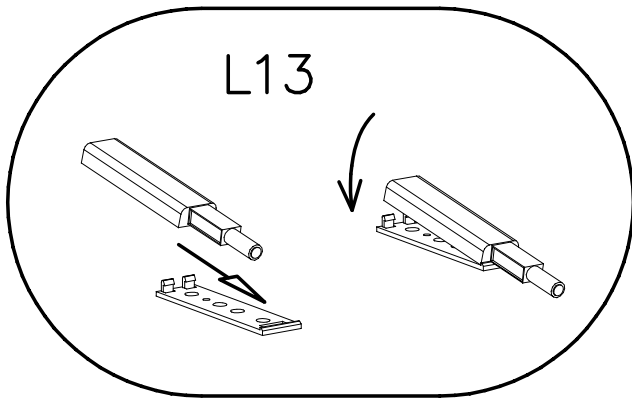
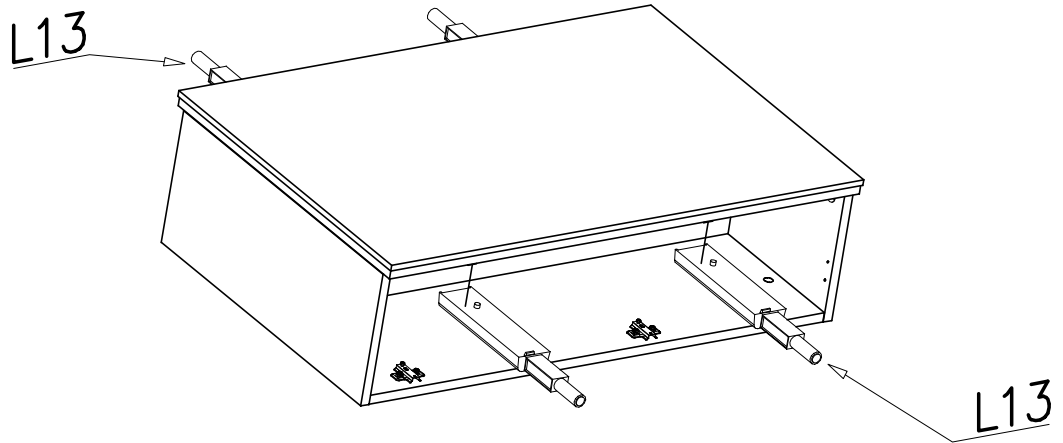
VI



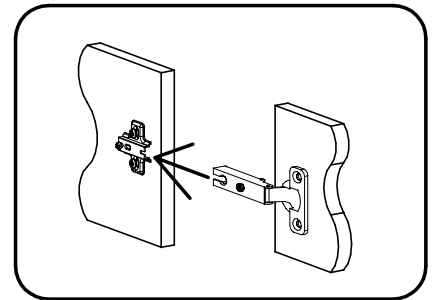
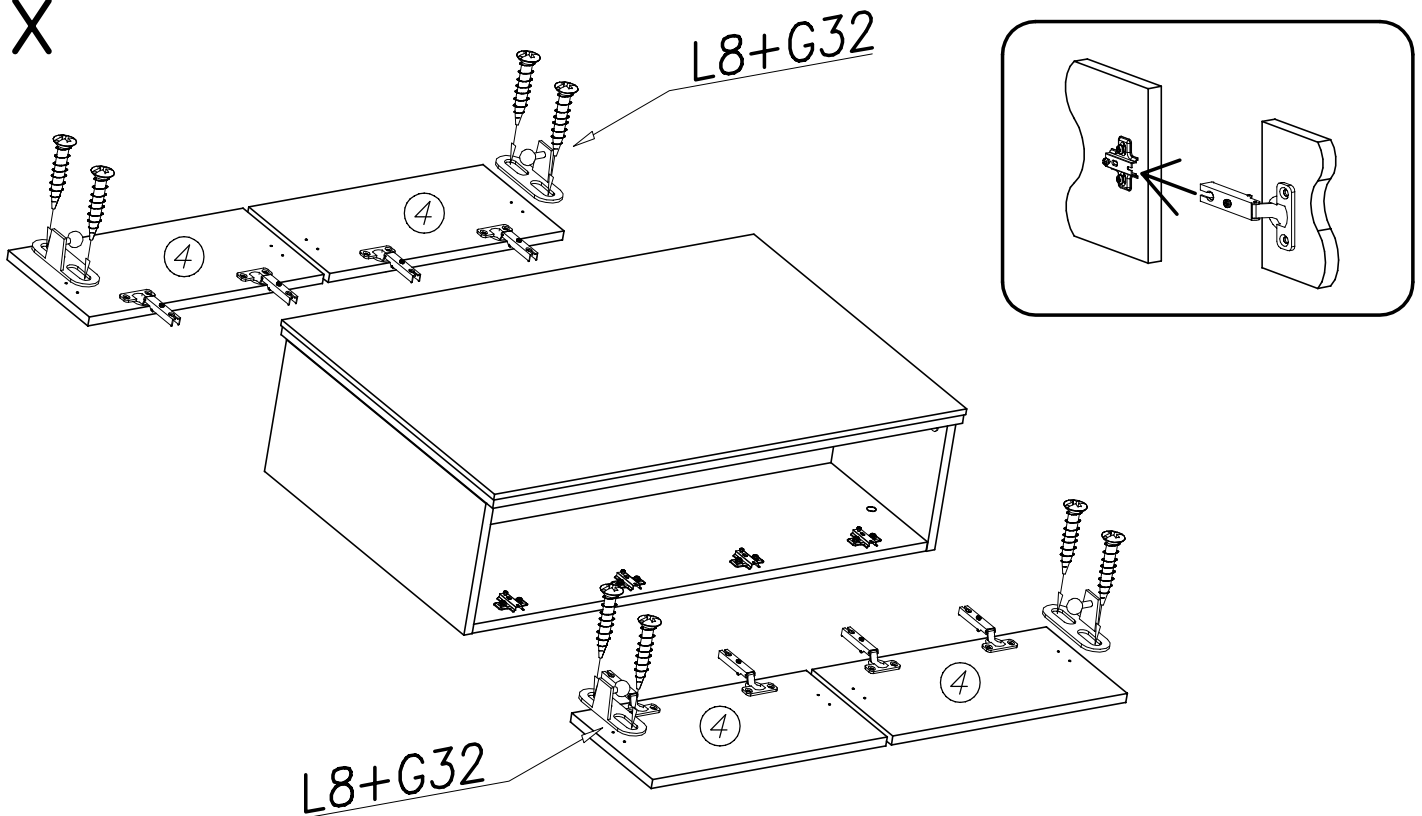
VII



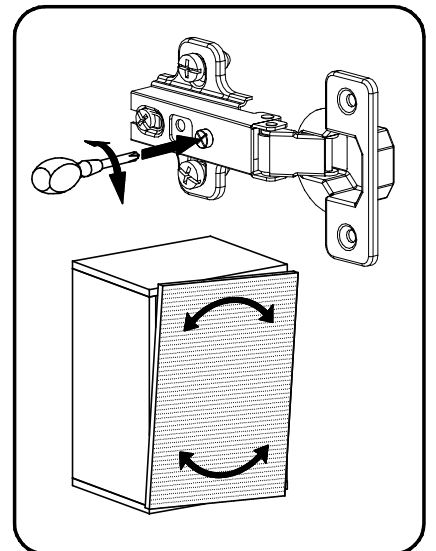
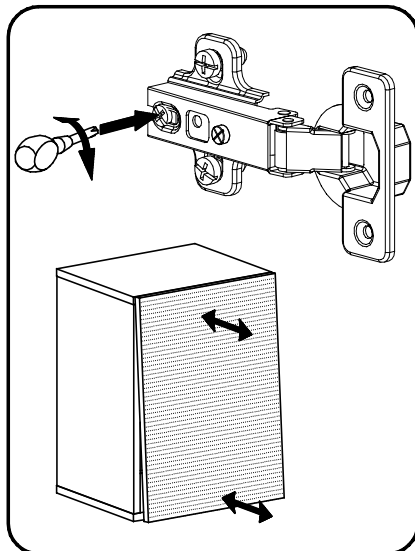
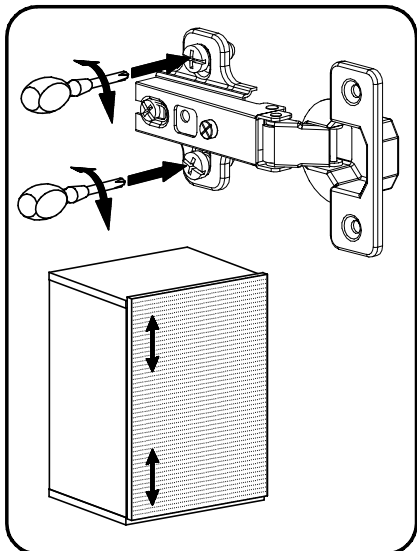
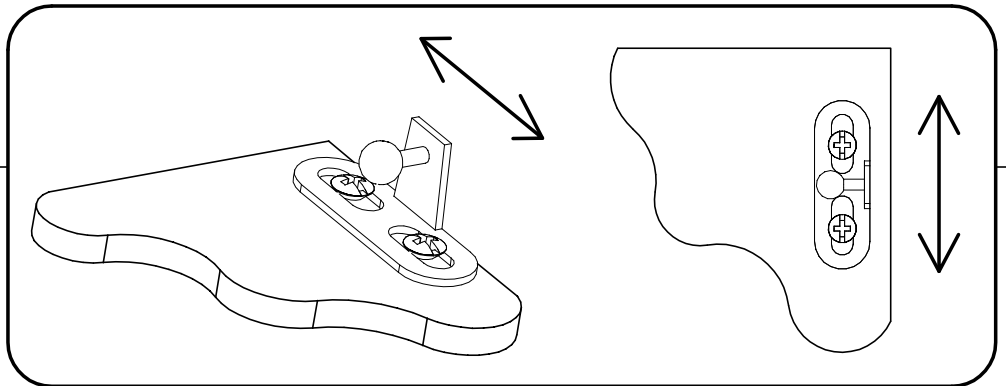
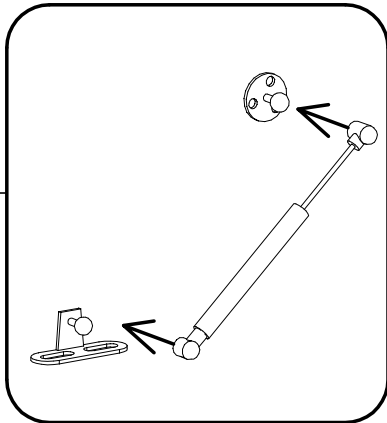
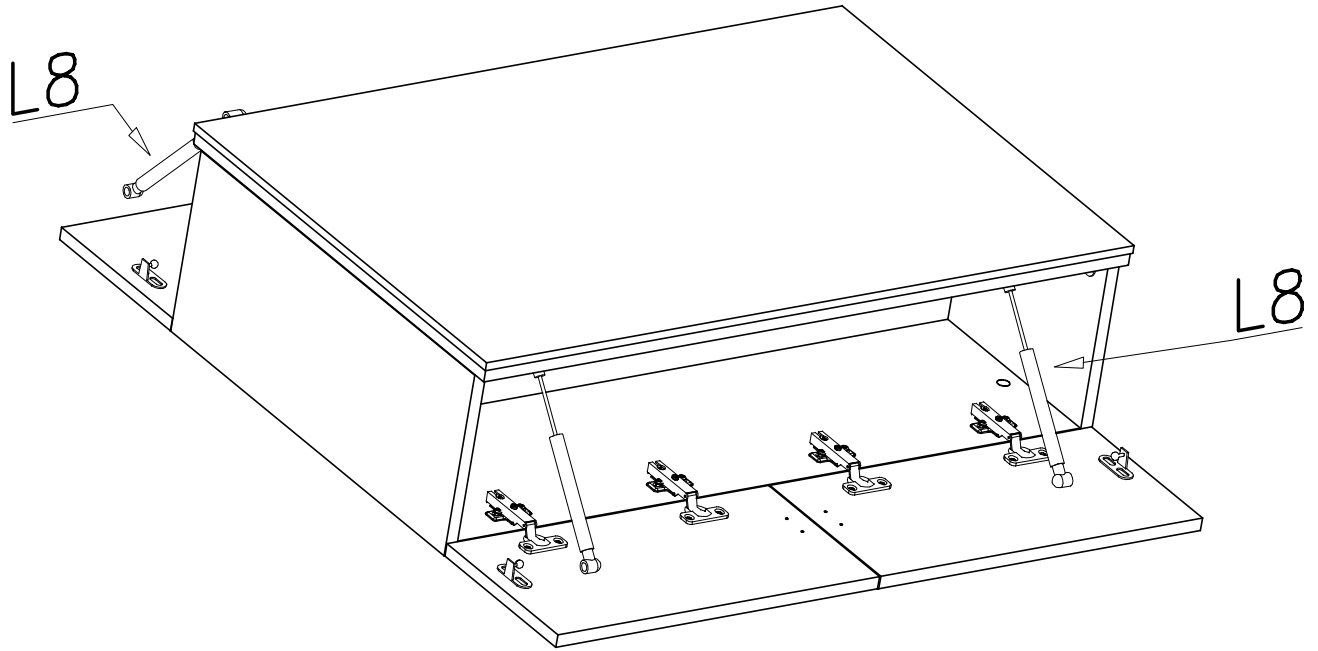
VIII



IX



X



XI

