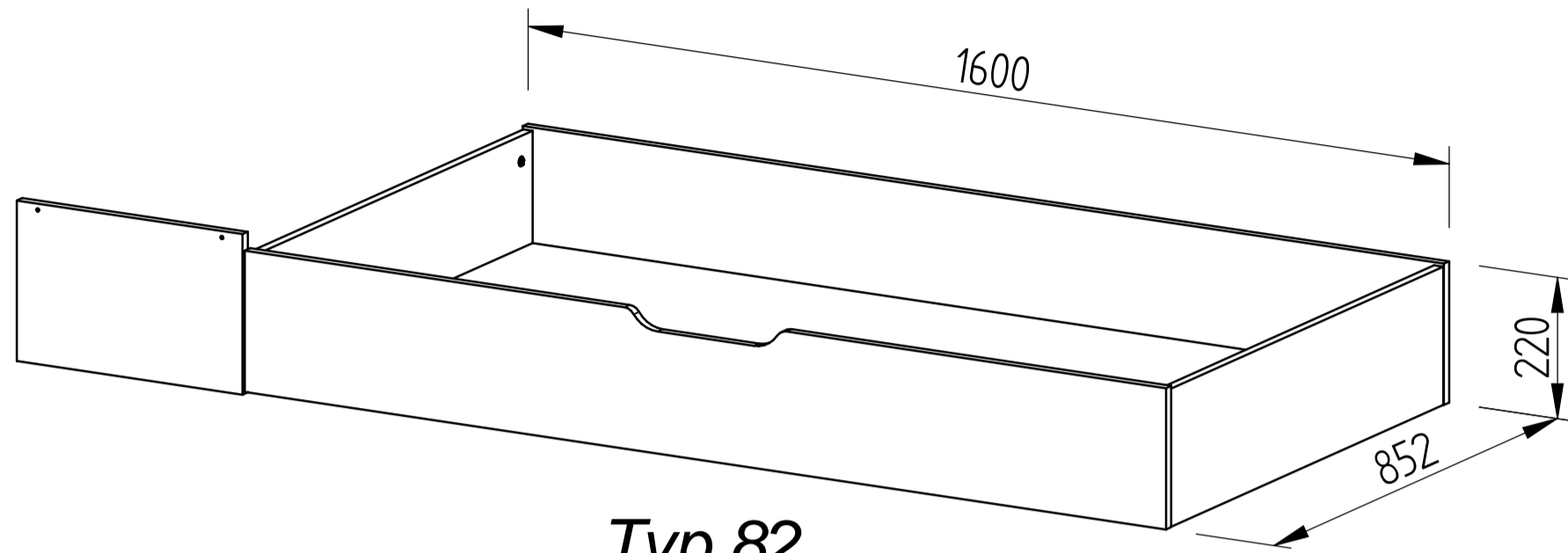
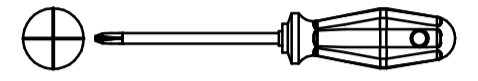
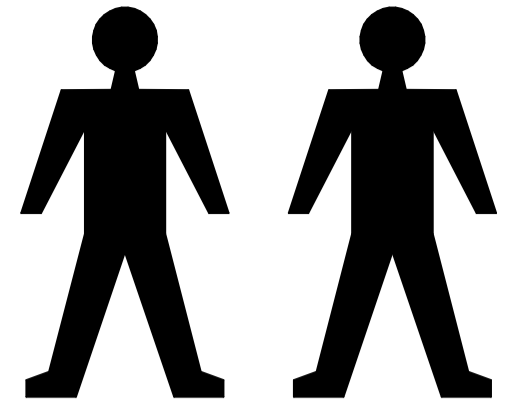
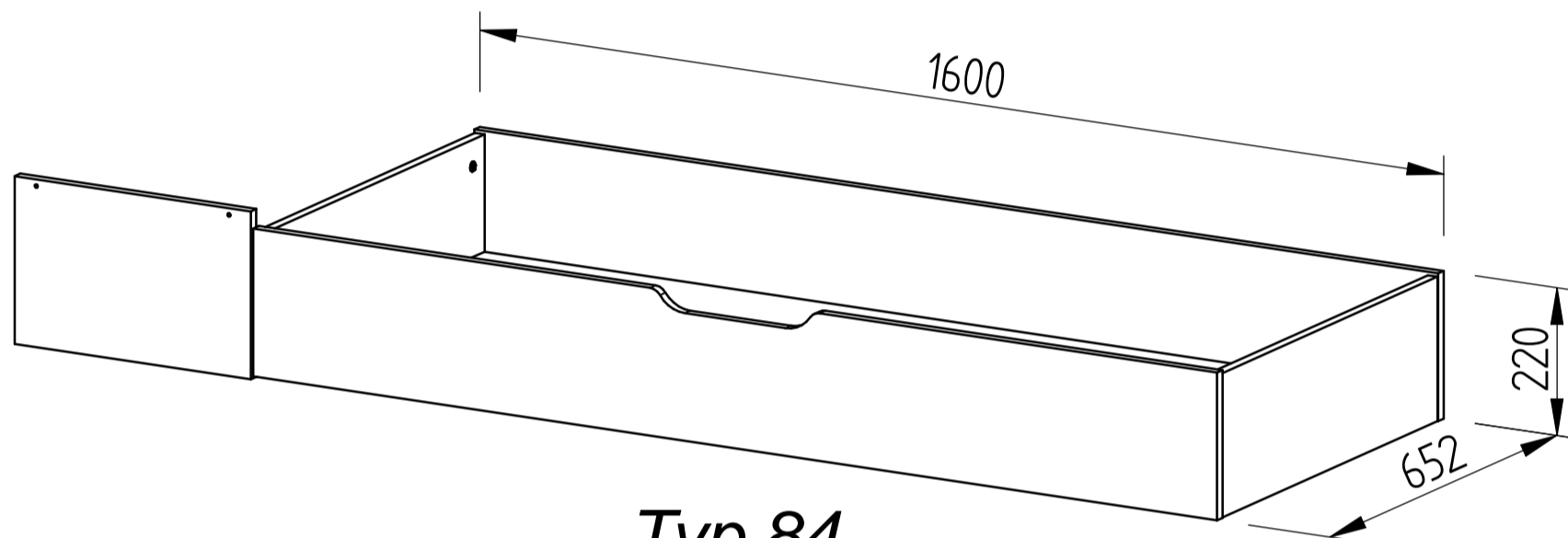


OAKLAND 82, 84

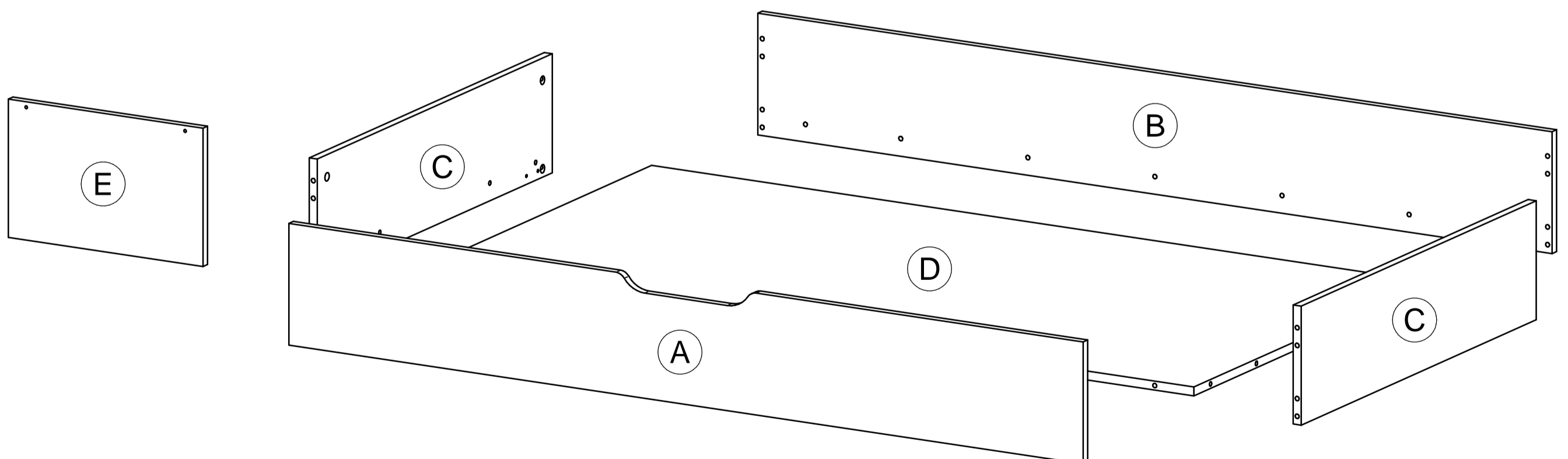
set one
by Musterring

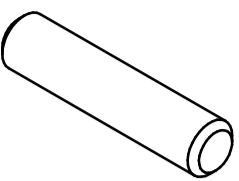
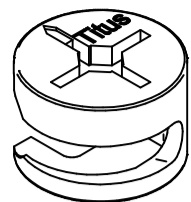
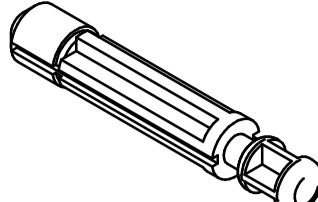
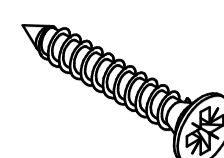
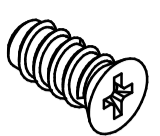
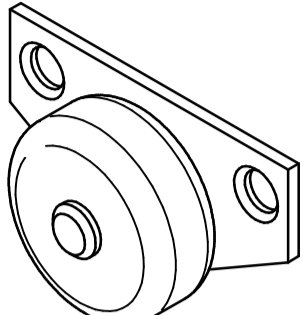
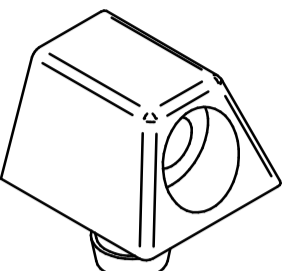
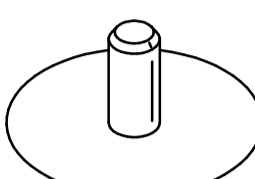
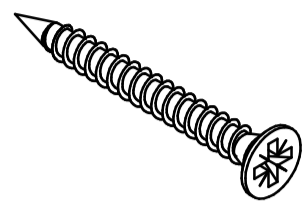


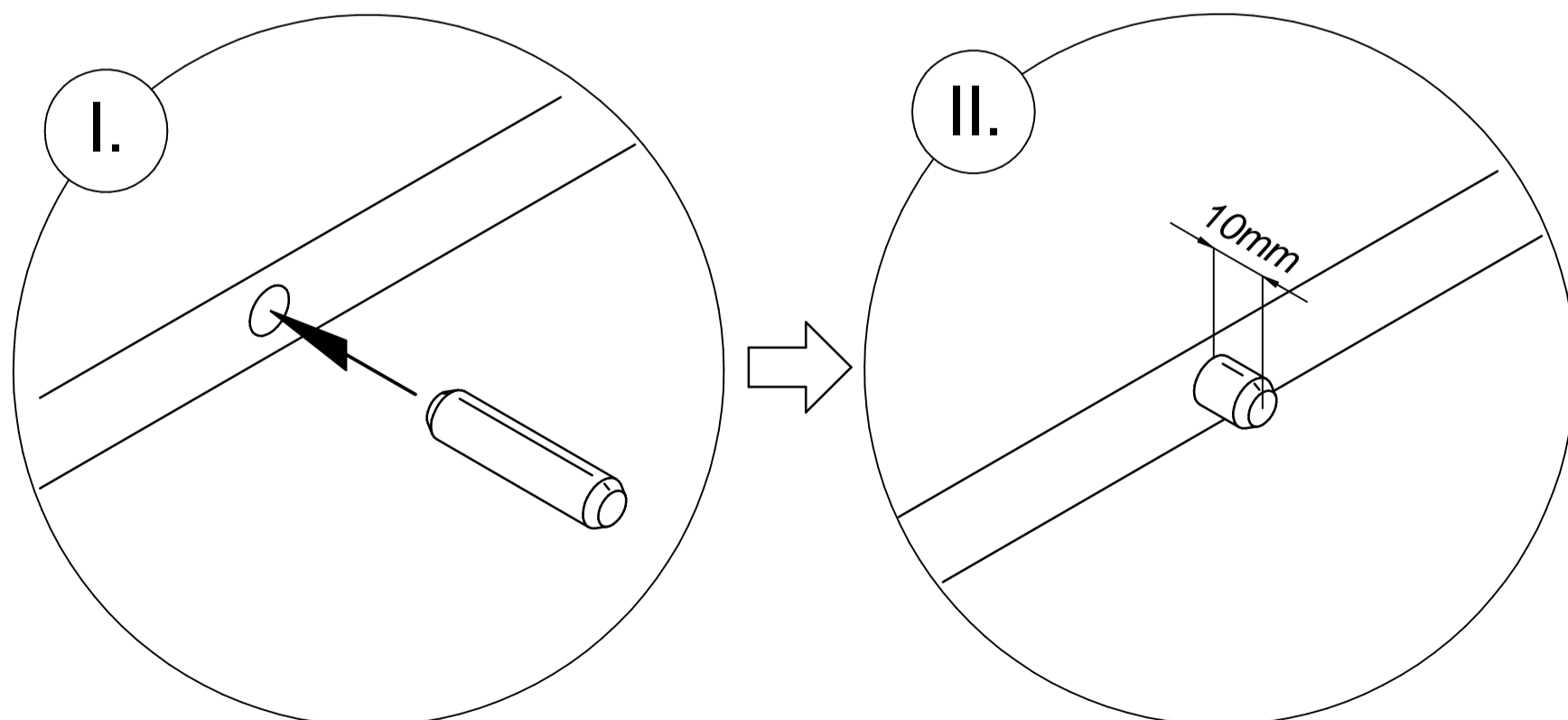
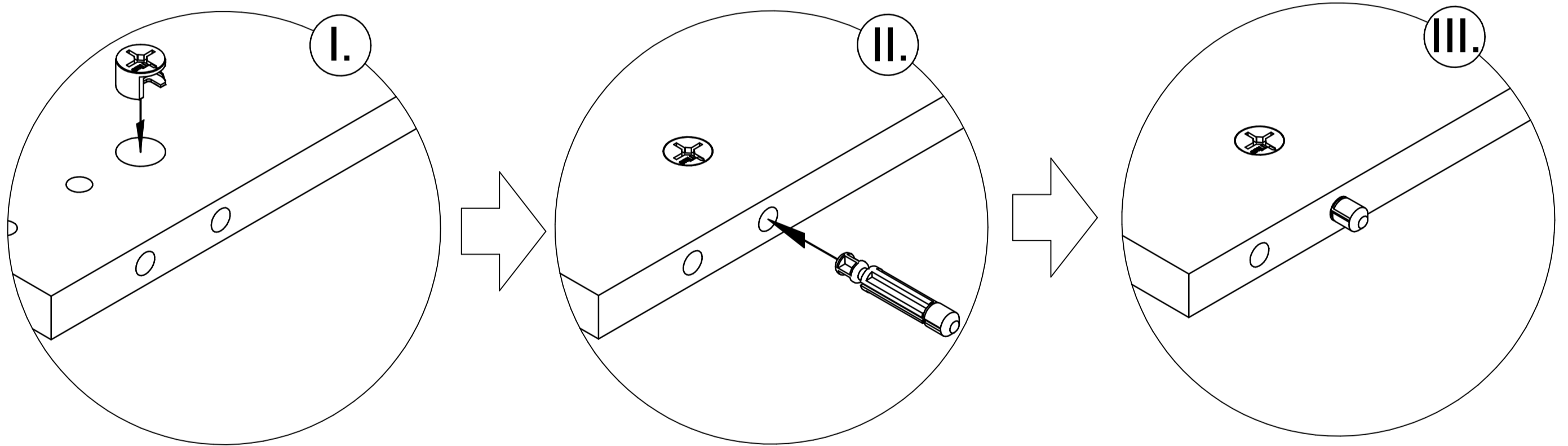
Typ 82



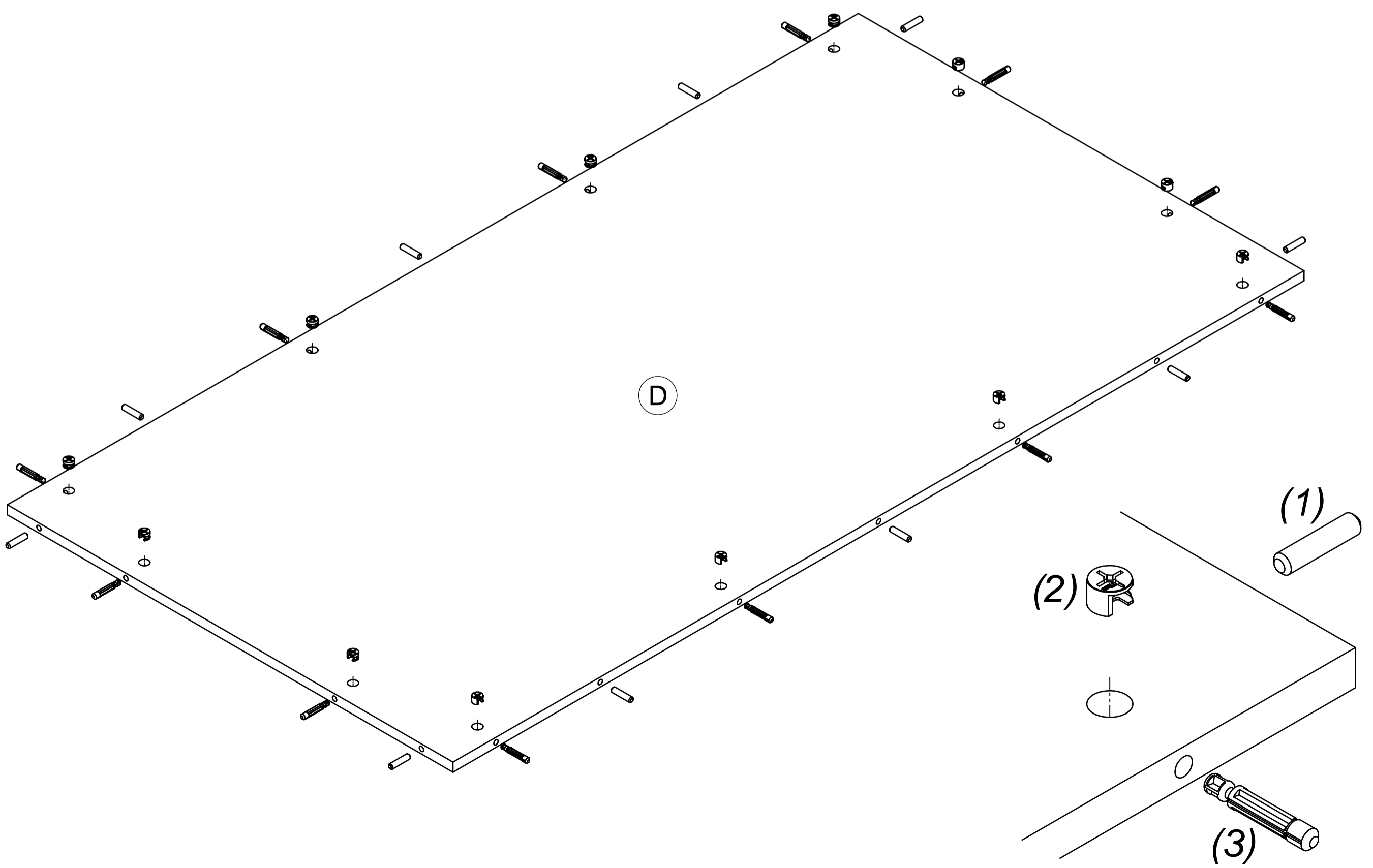
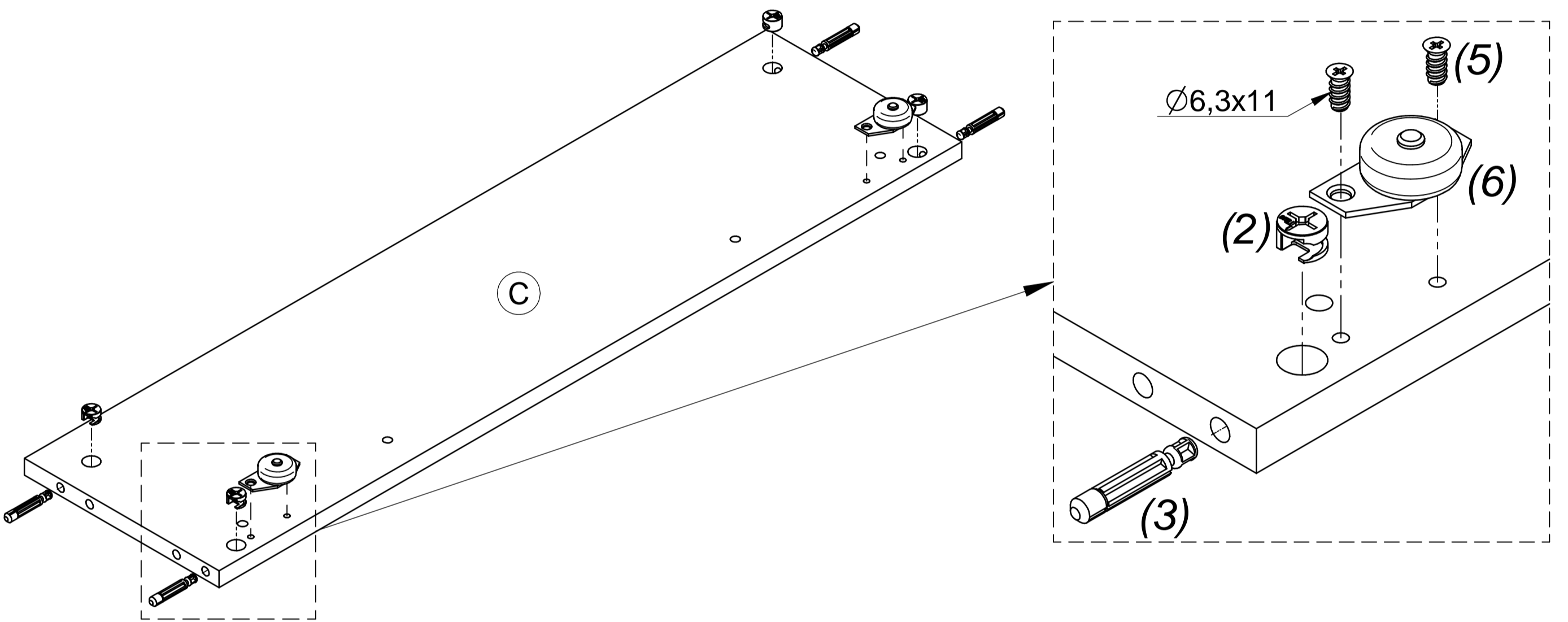
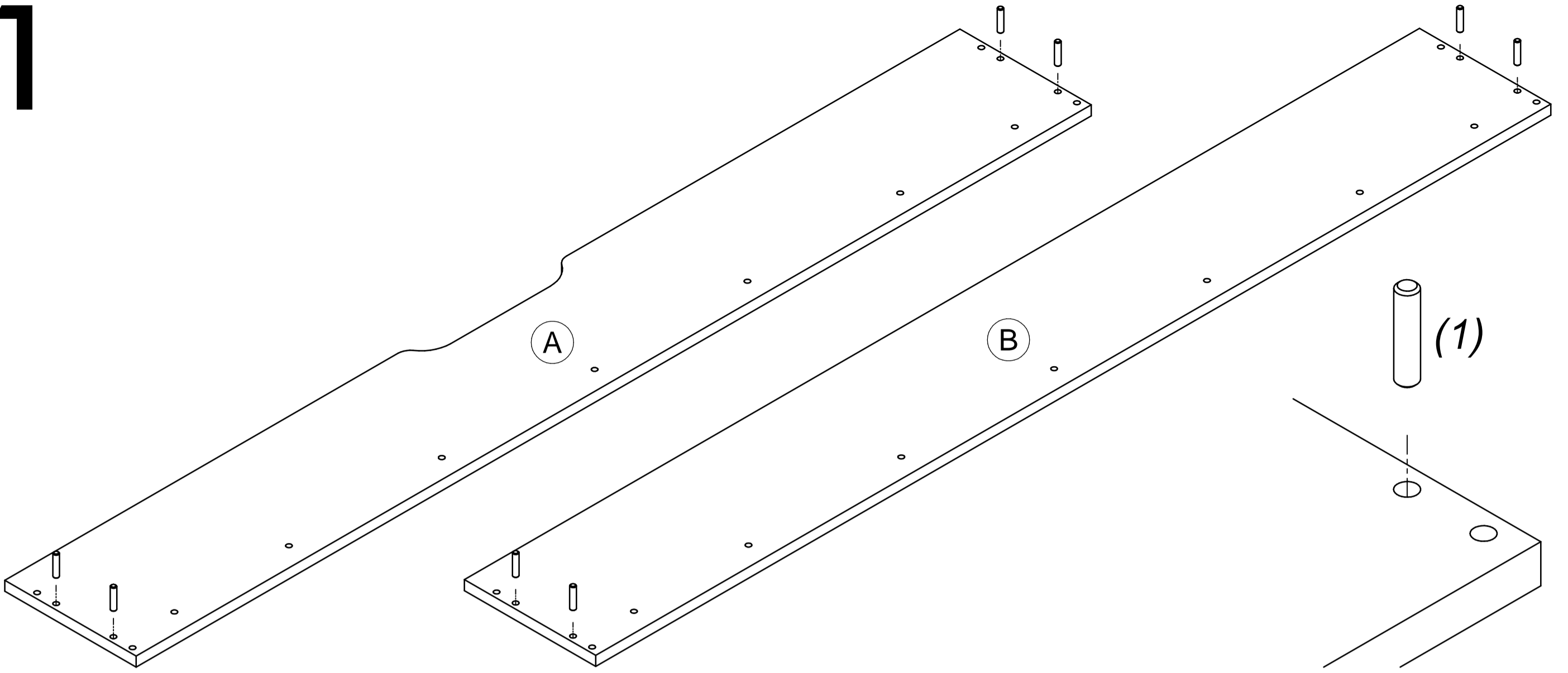
Typ 84



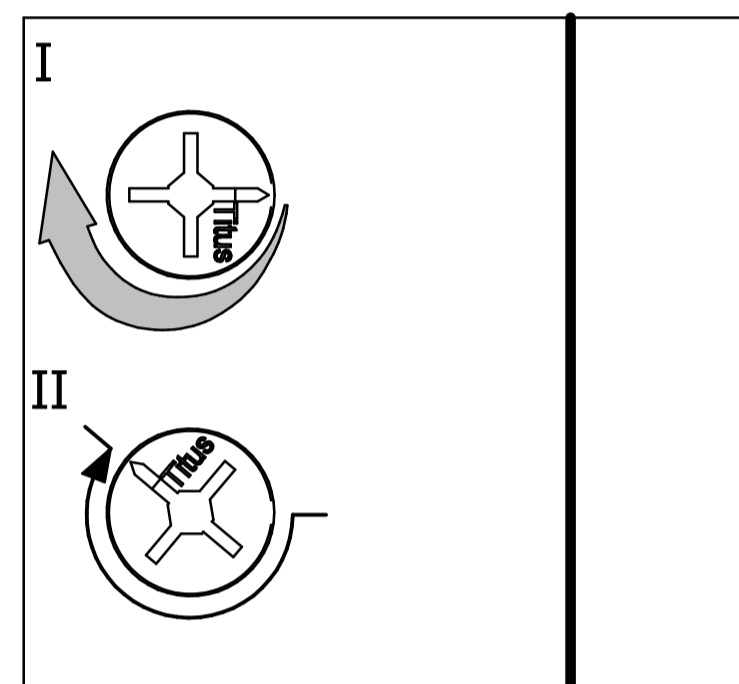
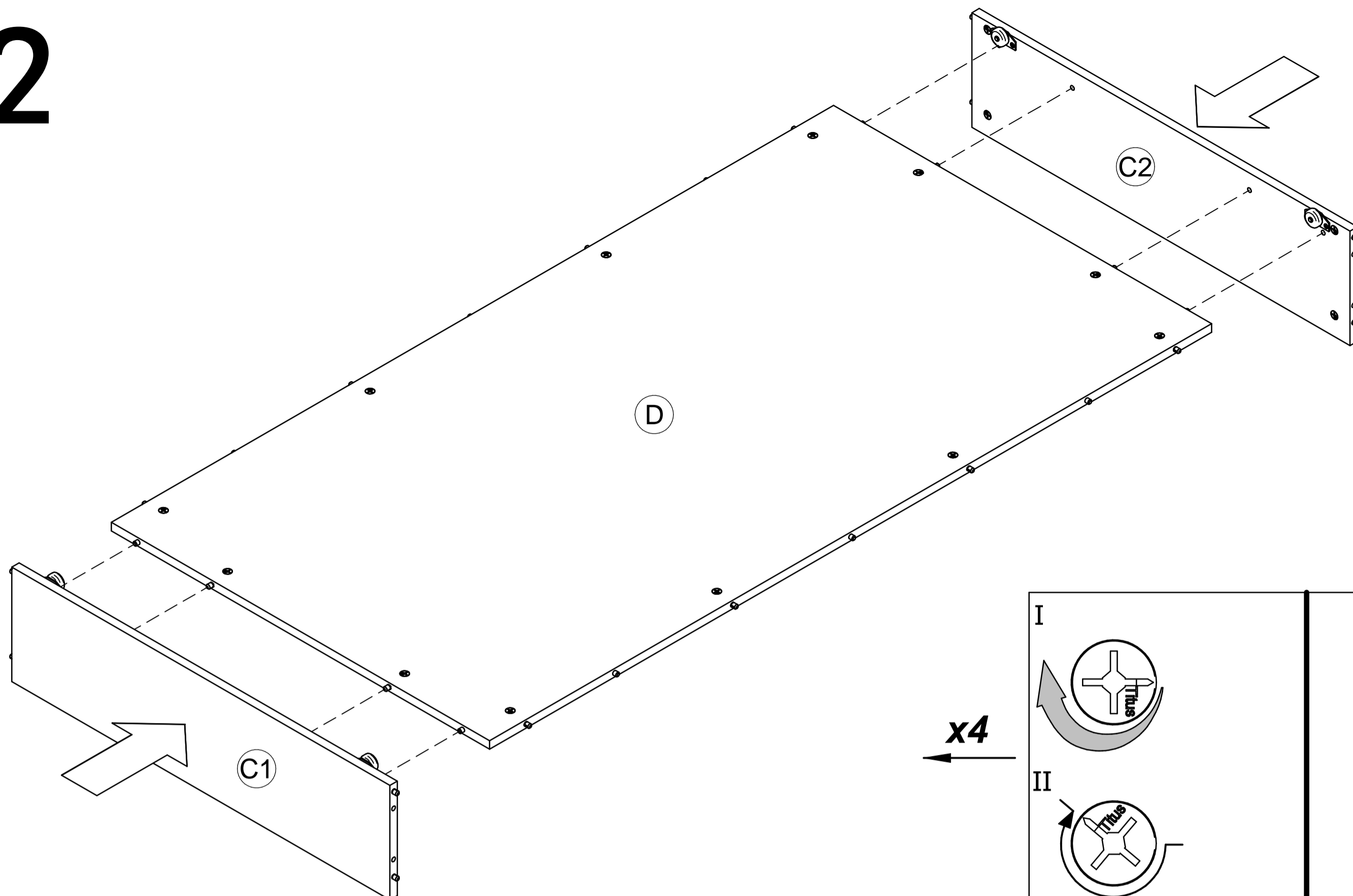
1 $\varnothing 8 \times 35$ x18 	2 $\varnothing 15$ x20 	3 $\varnothing 8$ x20 	4 $\varnothing 4 \times 25$ x1 	5 $\varnothing 6,3 \times 11$ x8 
6 x4 	7 x1 	8 x4 	9 $\varnothing 4 \times 35$ x2 	



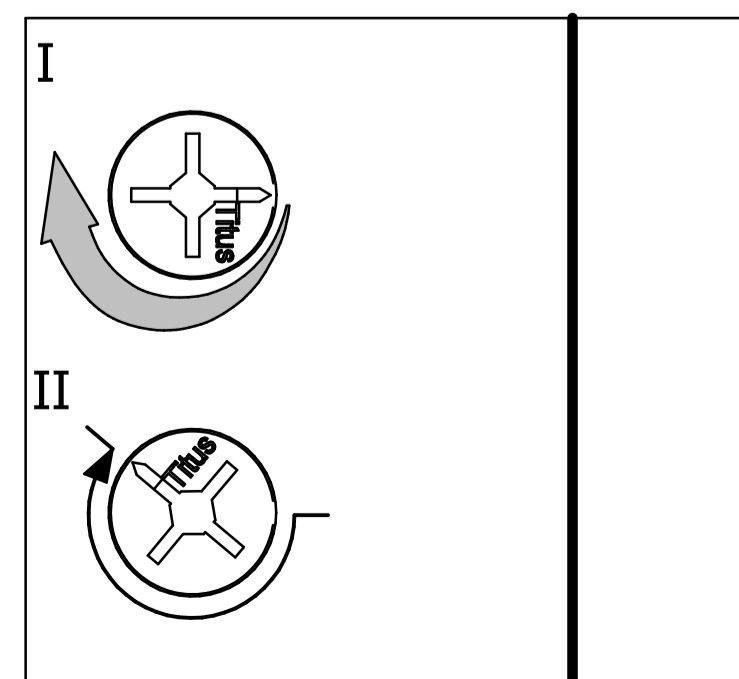
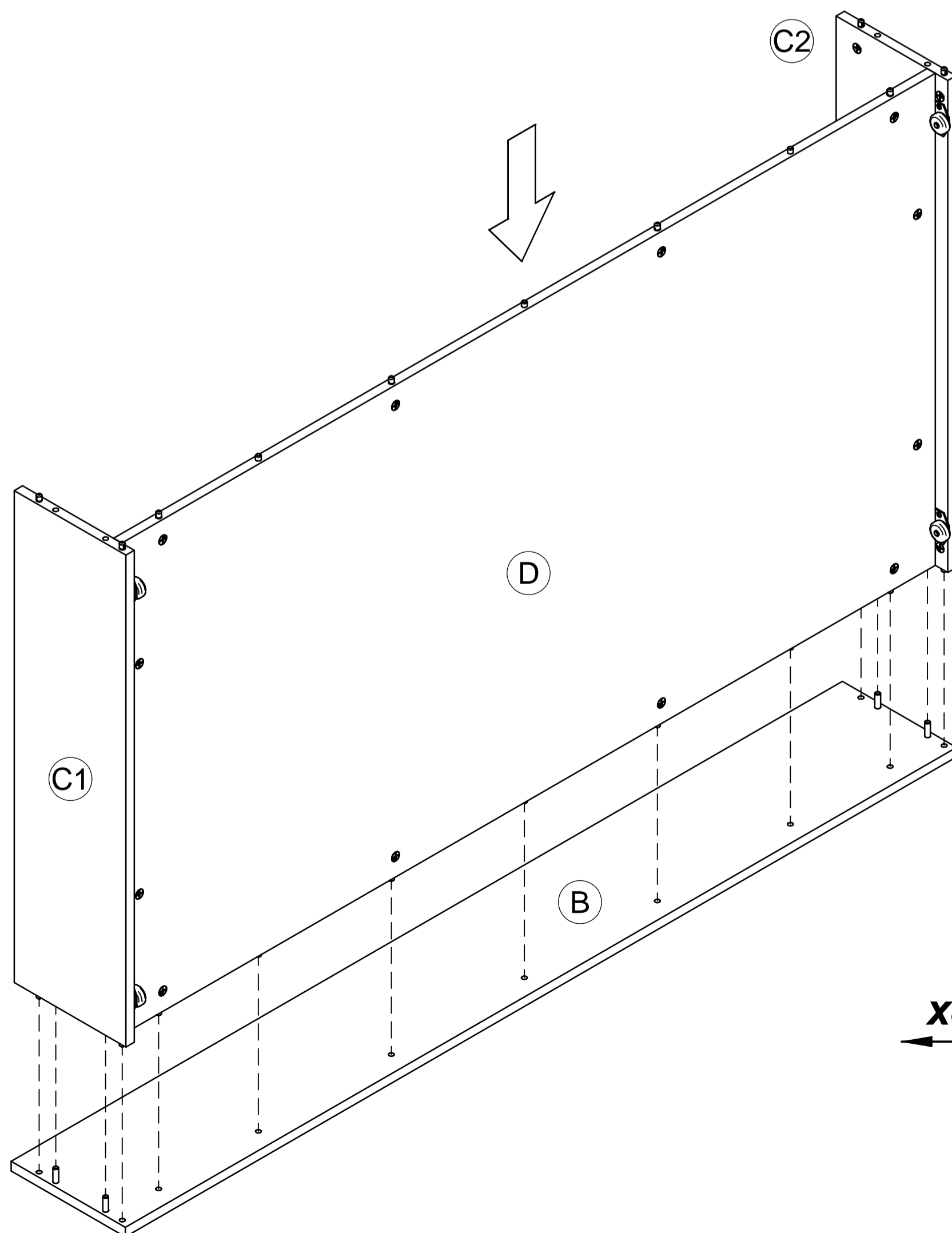
1



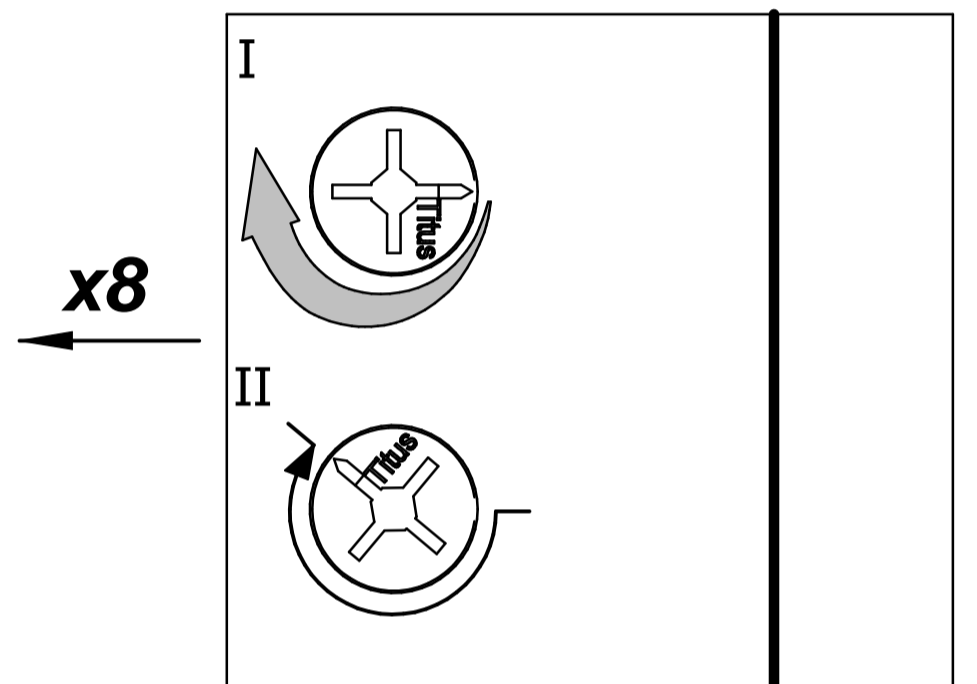
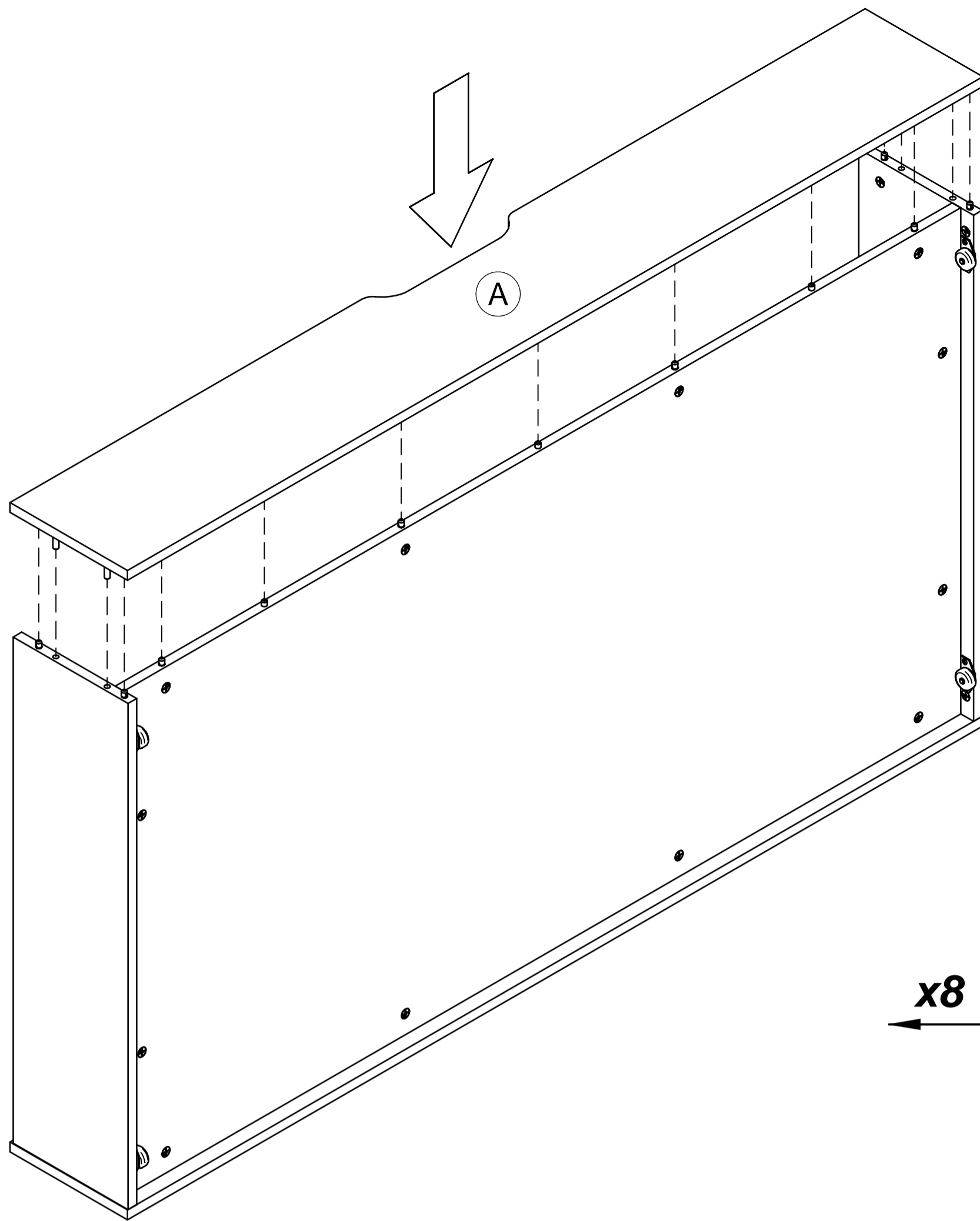
2



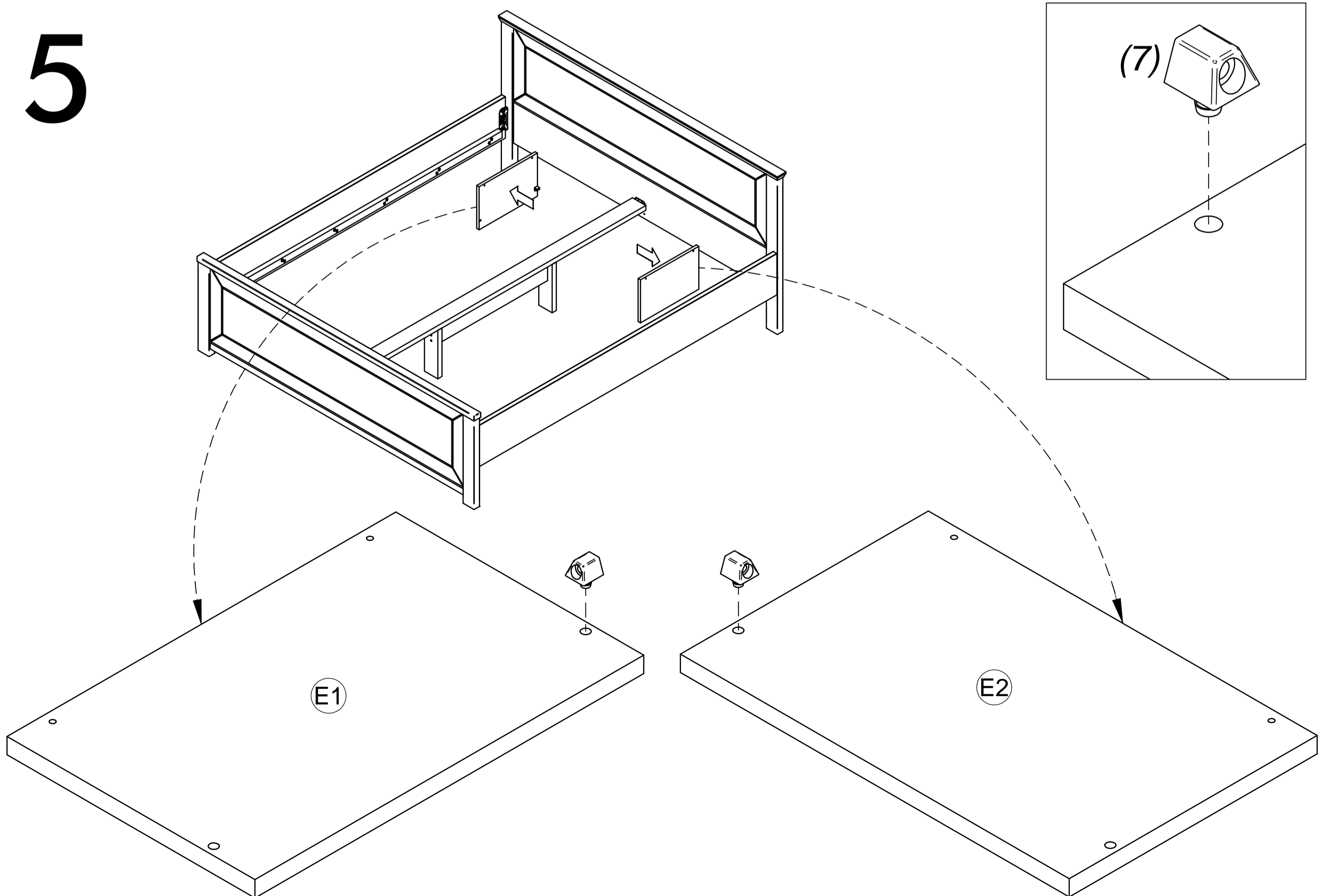
3



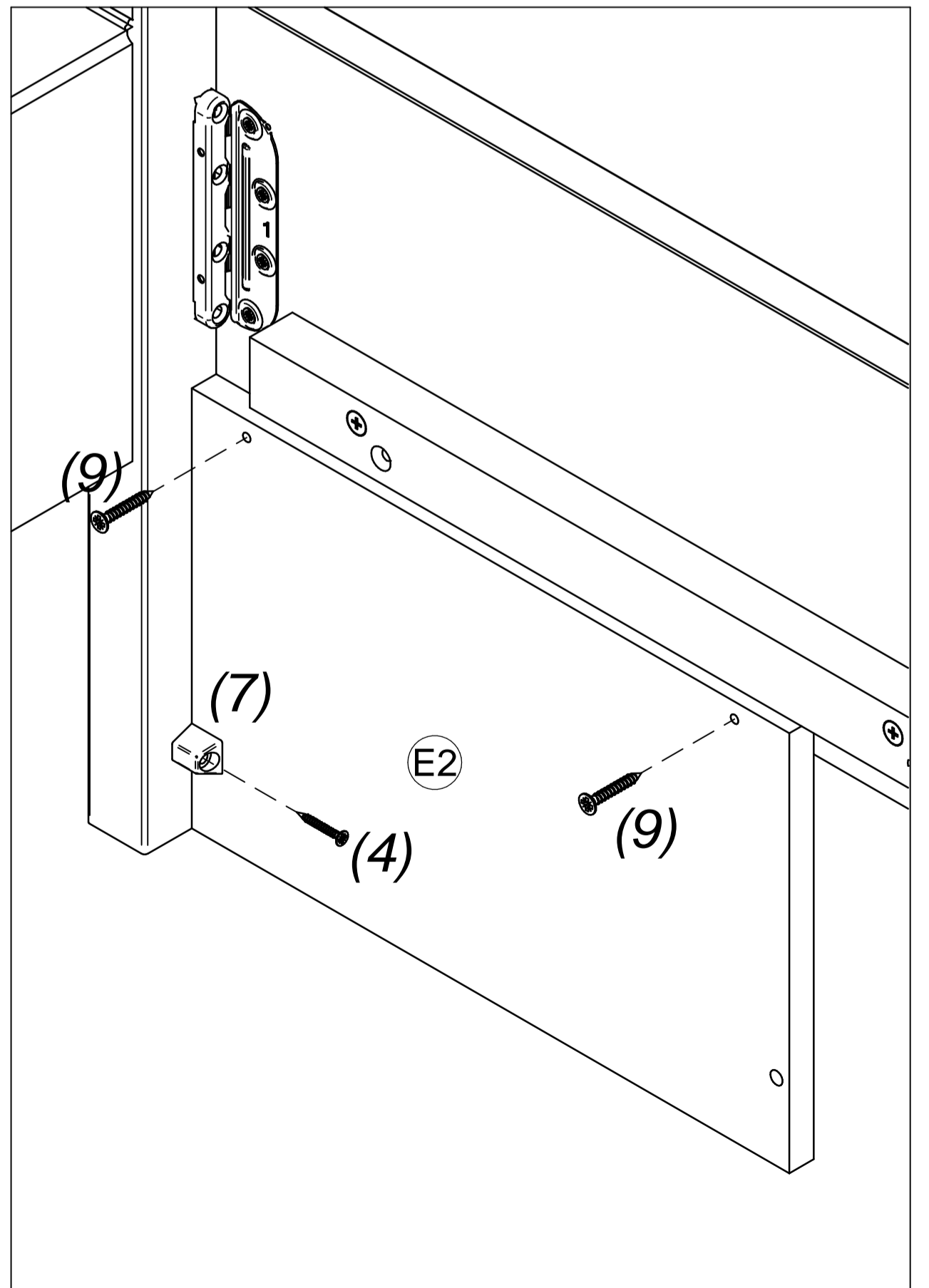
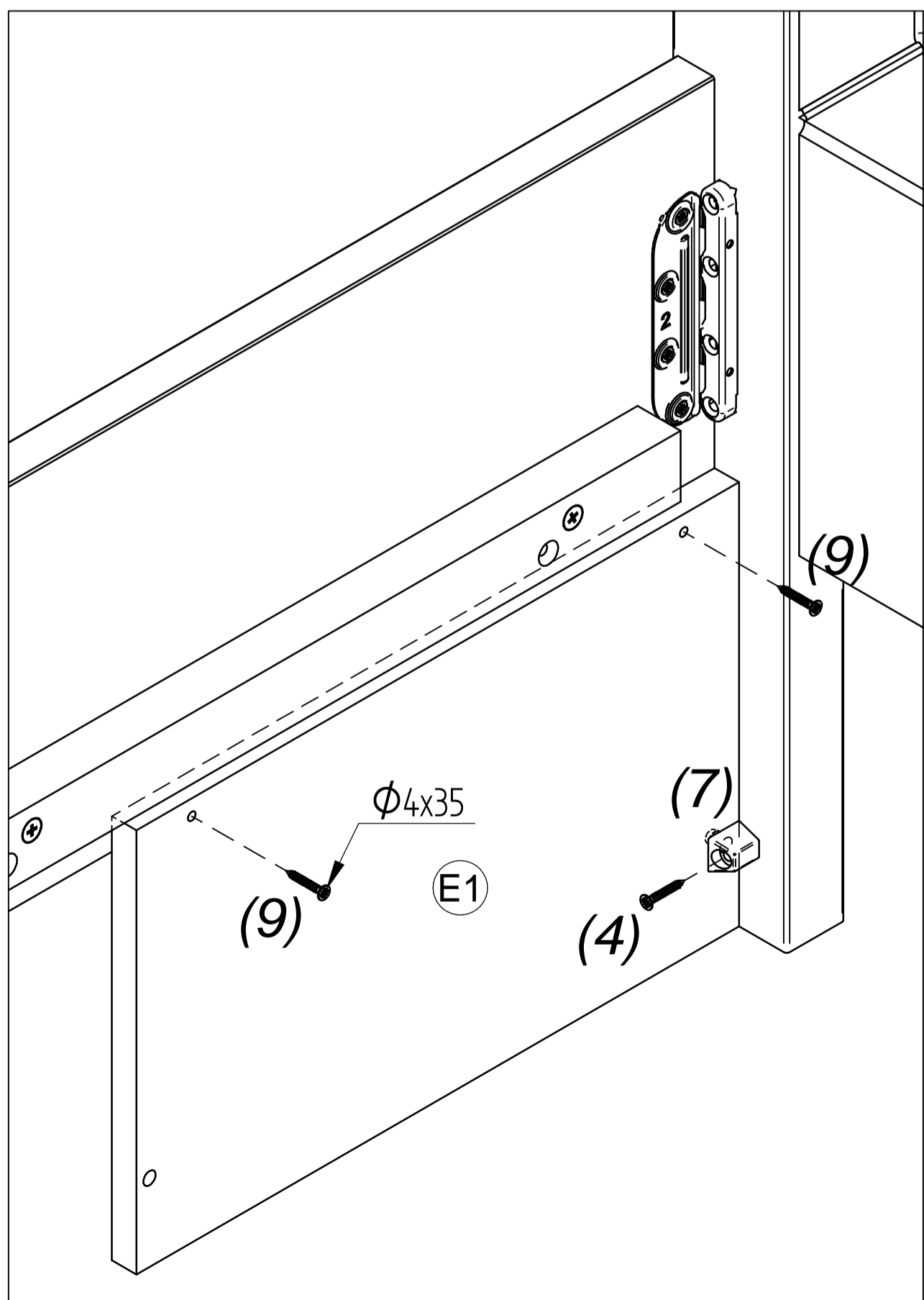
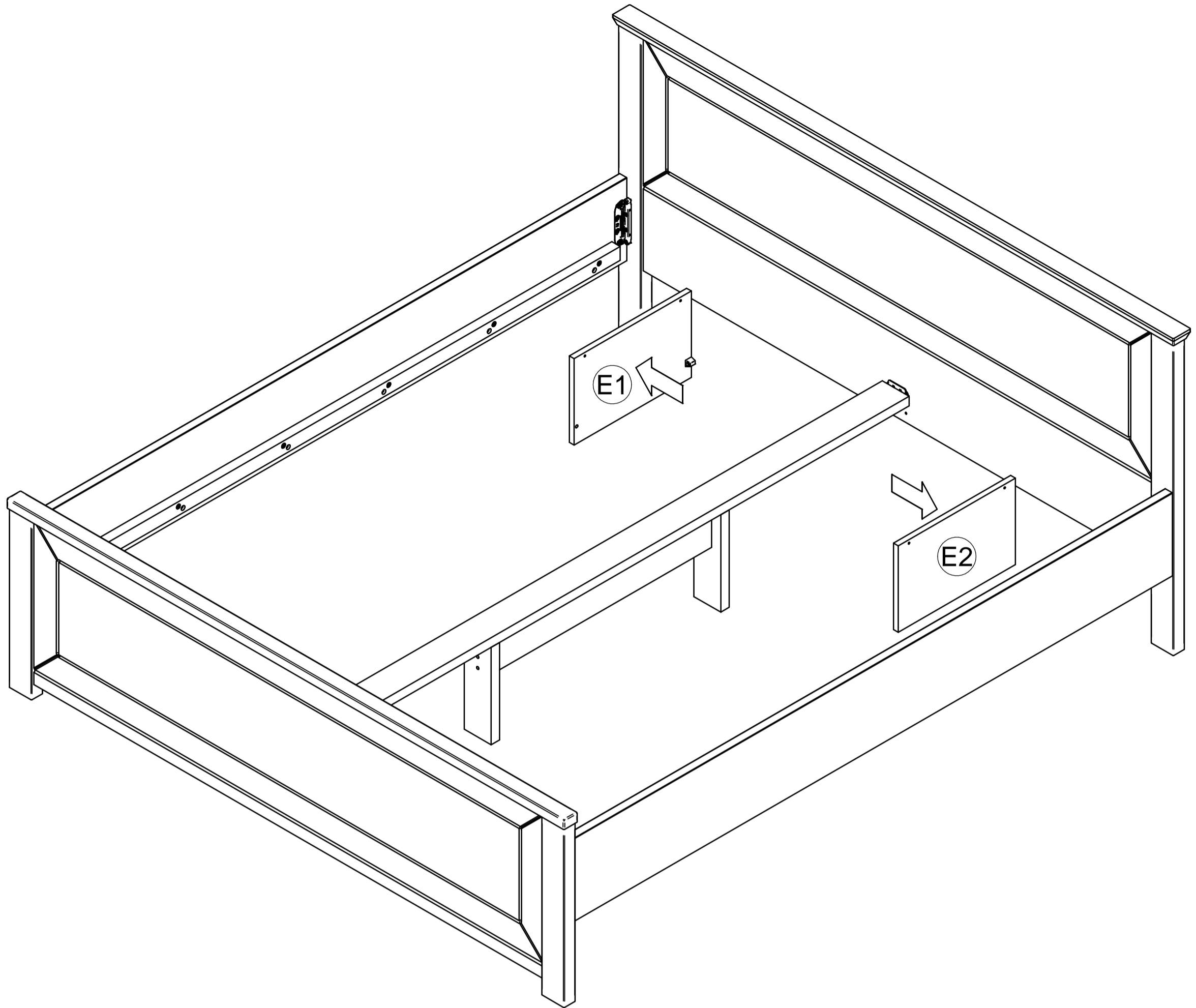
4



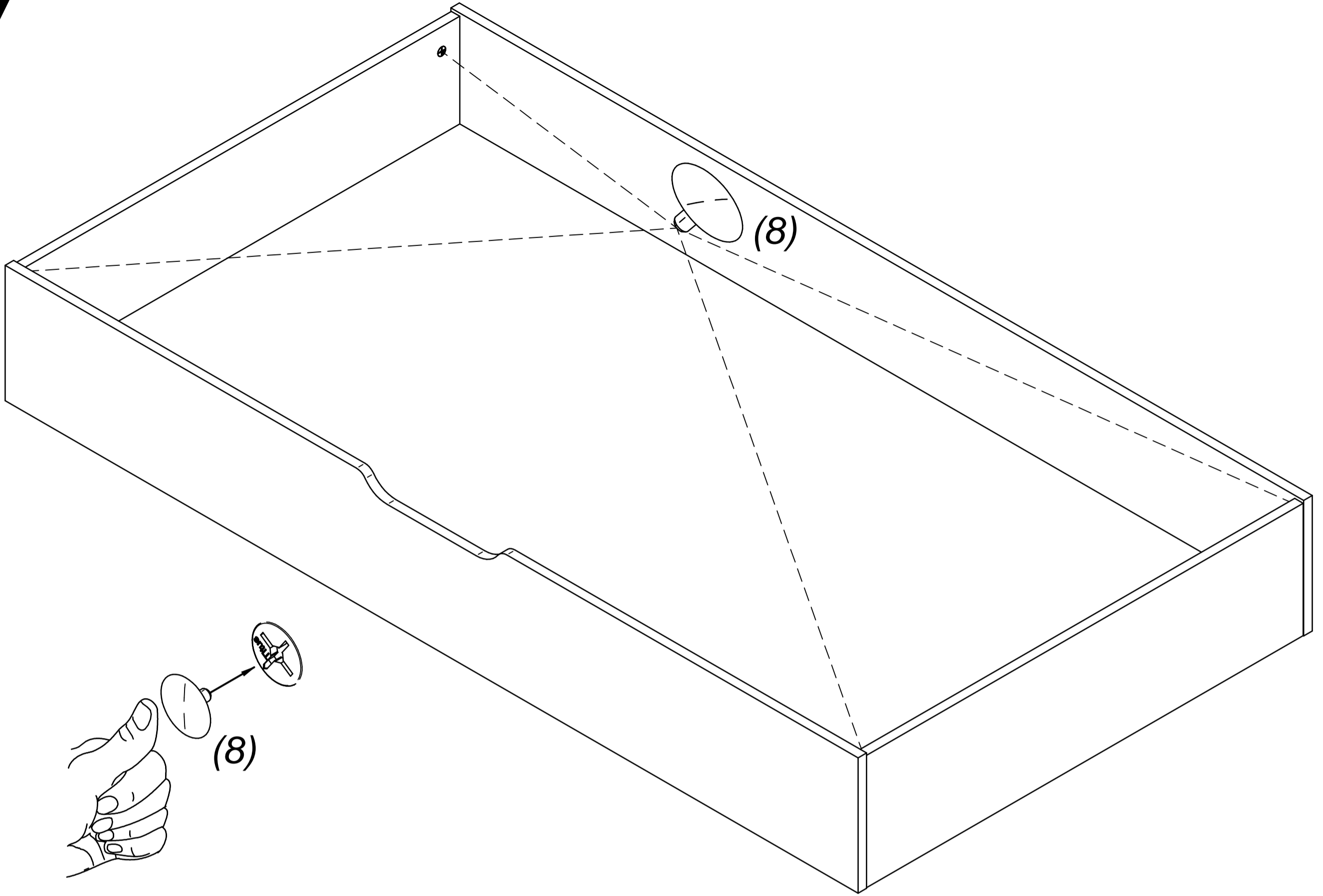
5



6



7



8

