








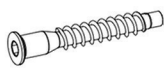
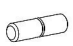
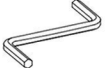
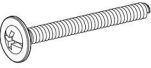



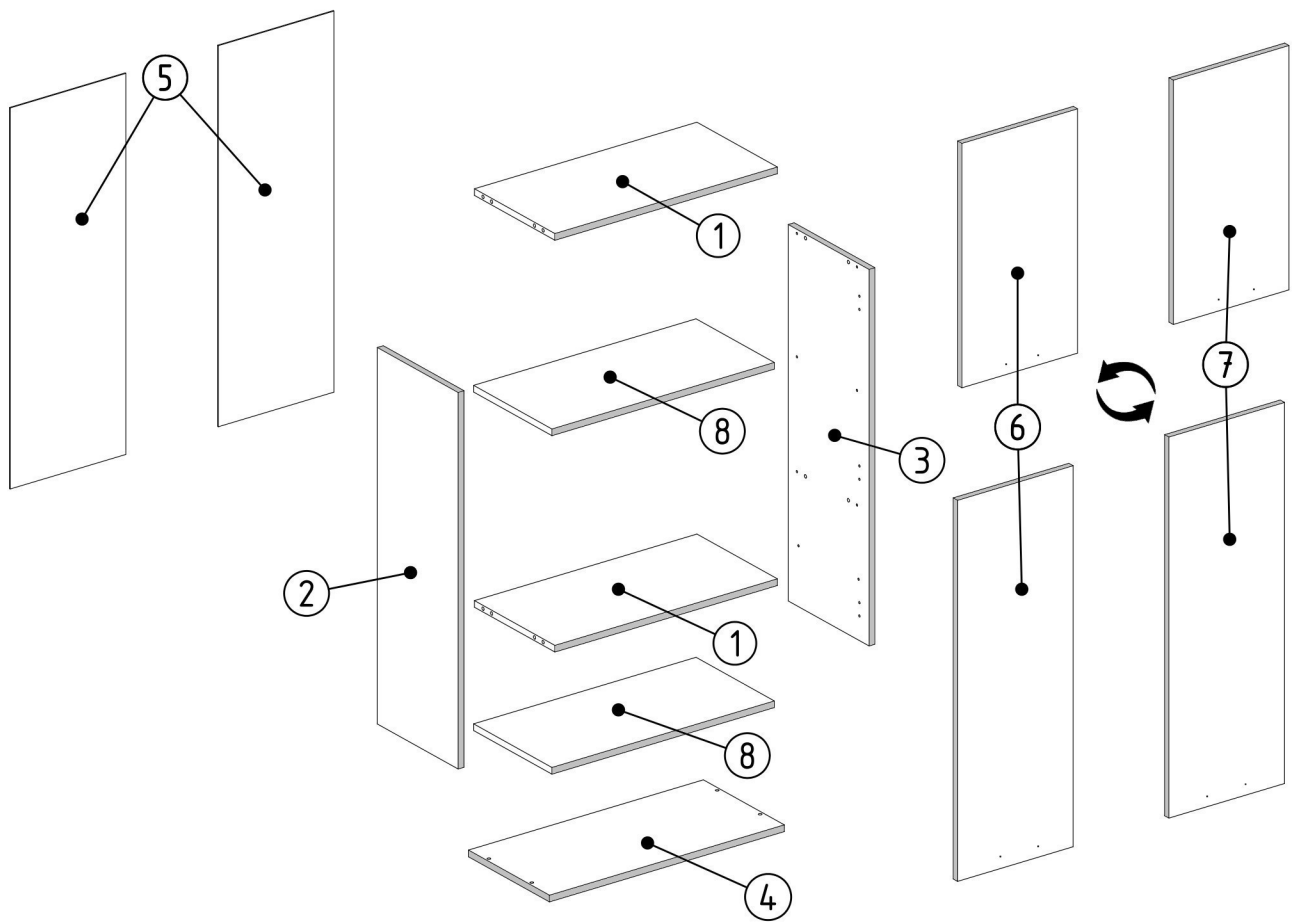
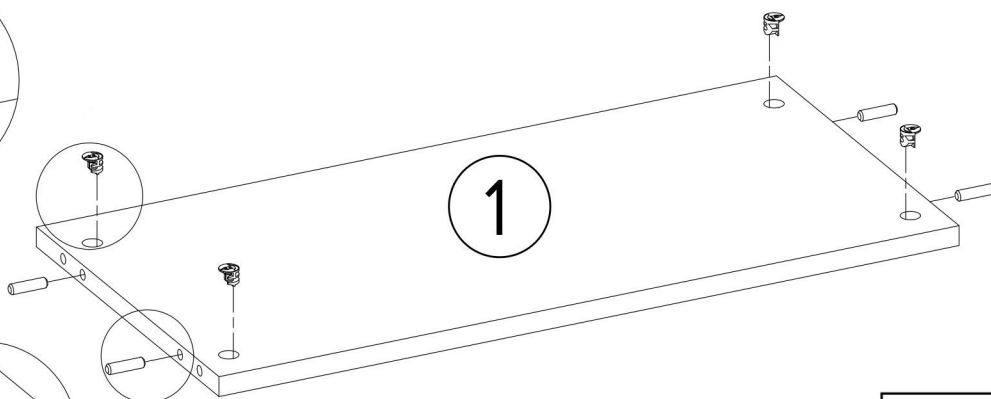
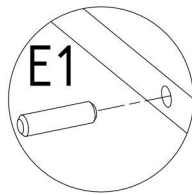
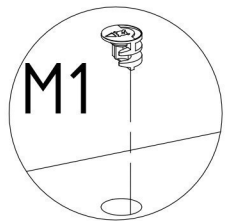
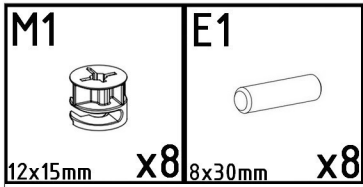
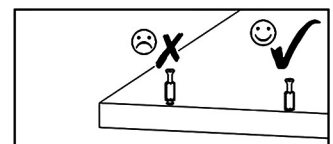
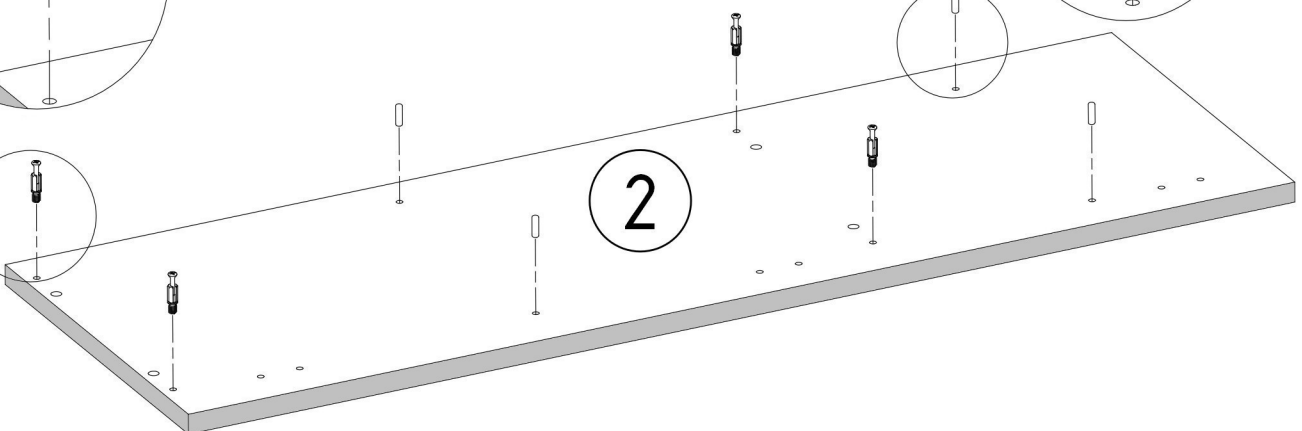
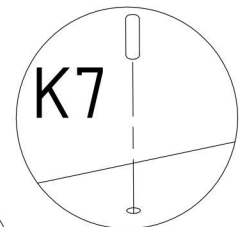
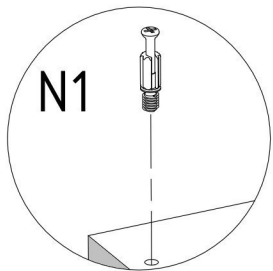
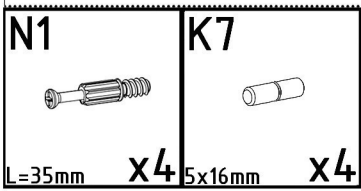
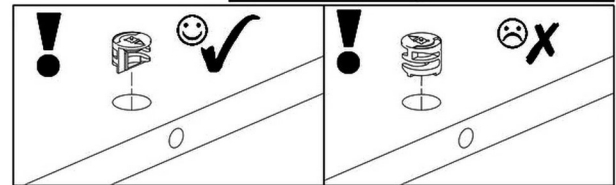
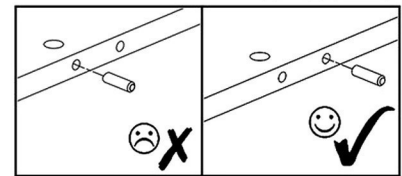

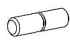


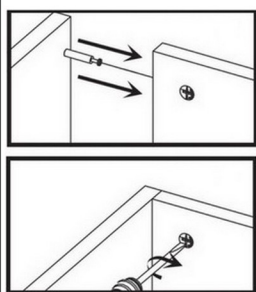
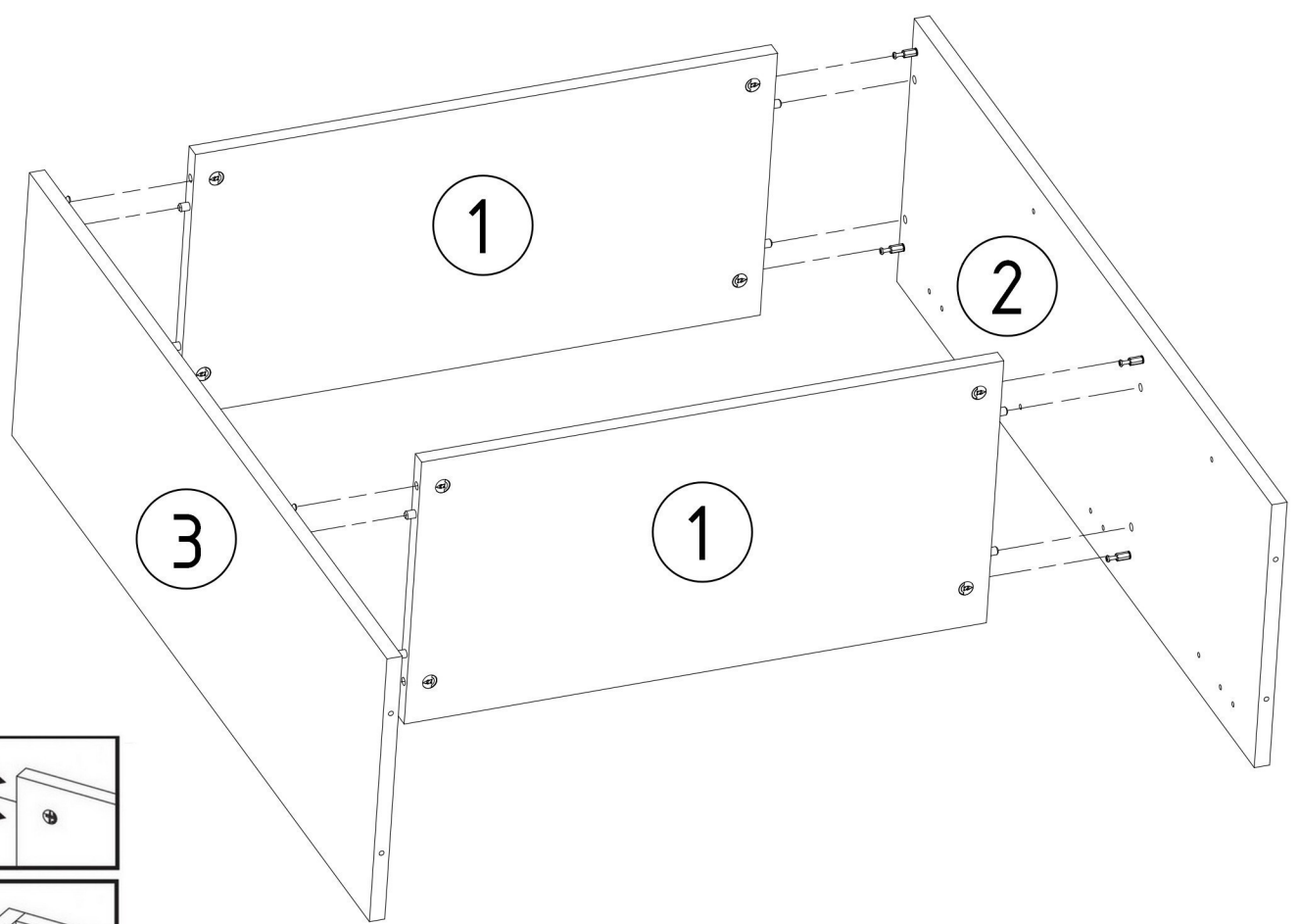
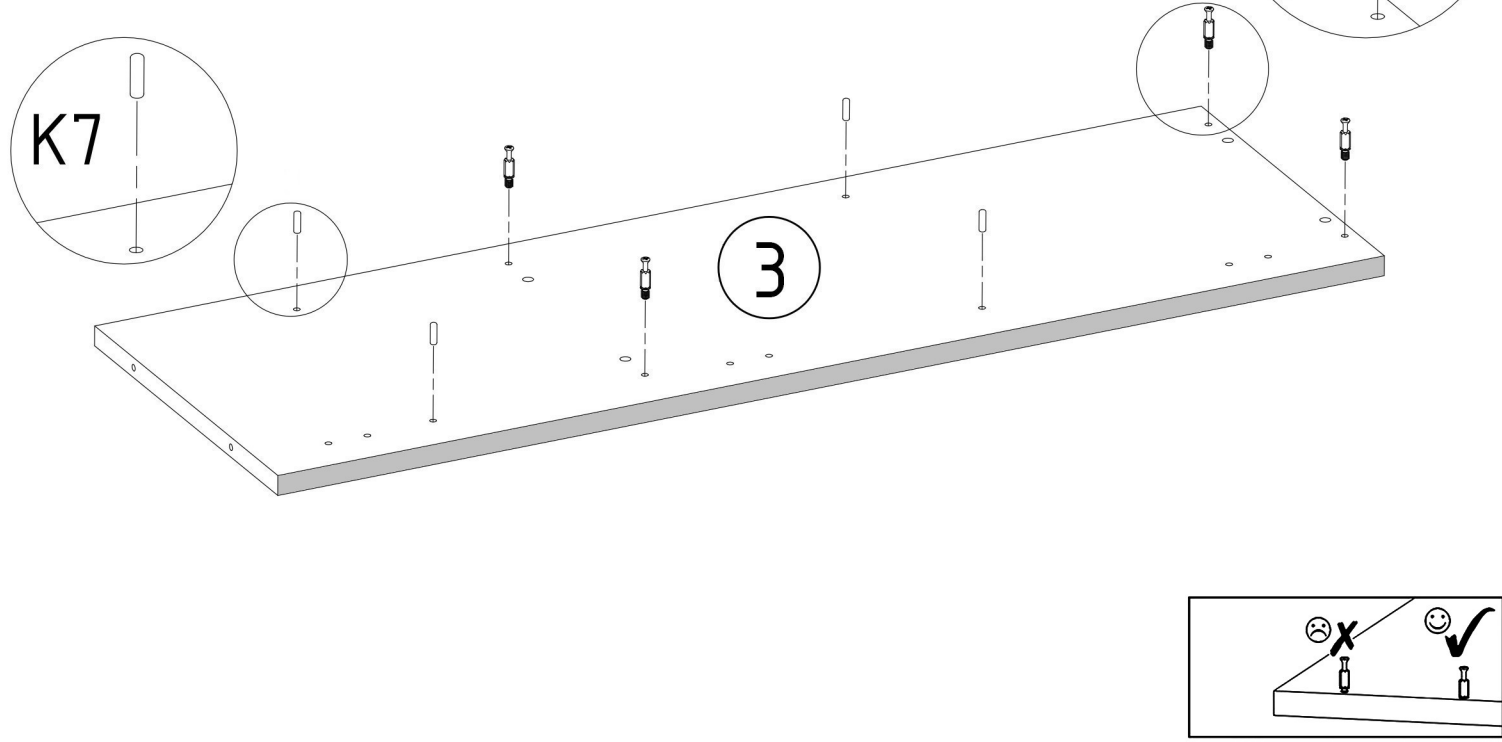
N1  L=35mm x8	M1  12x15mm x8	A1  ZP x4	S1  3,5x16mm x8	E1  8x30mm x8	M2 ^{x16}  ø16mm B.S.-A x8	U3  L=96/137mm x2	L1  L=860mm x1
Z1  x60	F1  7x50mm x4	K7  5x16mm x8	F3  x1	S5  4x27 mm x4	F5 ^{x8}  ø5mm B.S.-A x4	Z3  x2	S4  4x30 mm x6

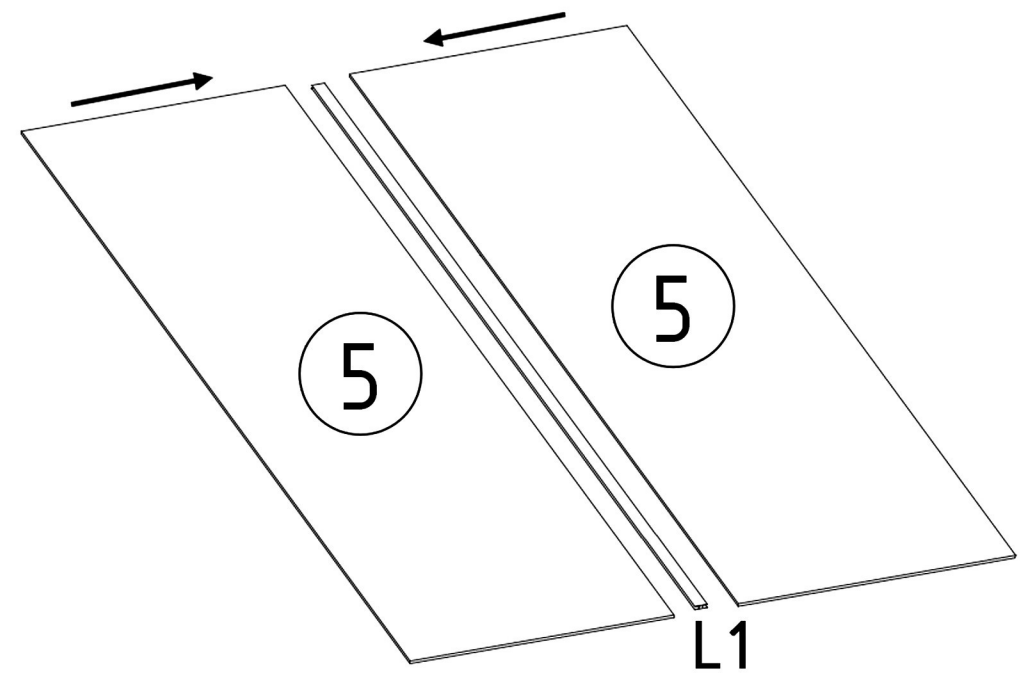
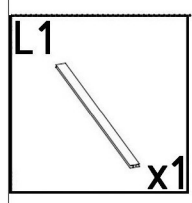
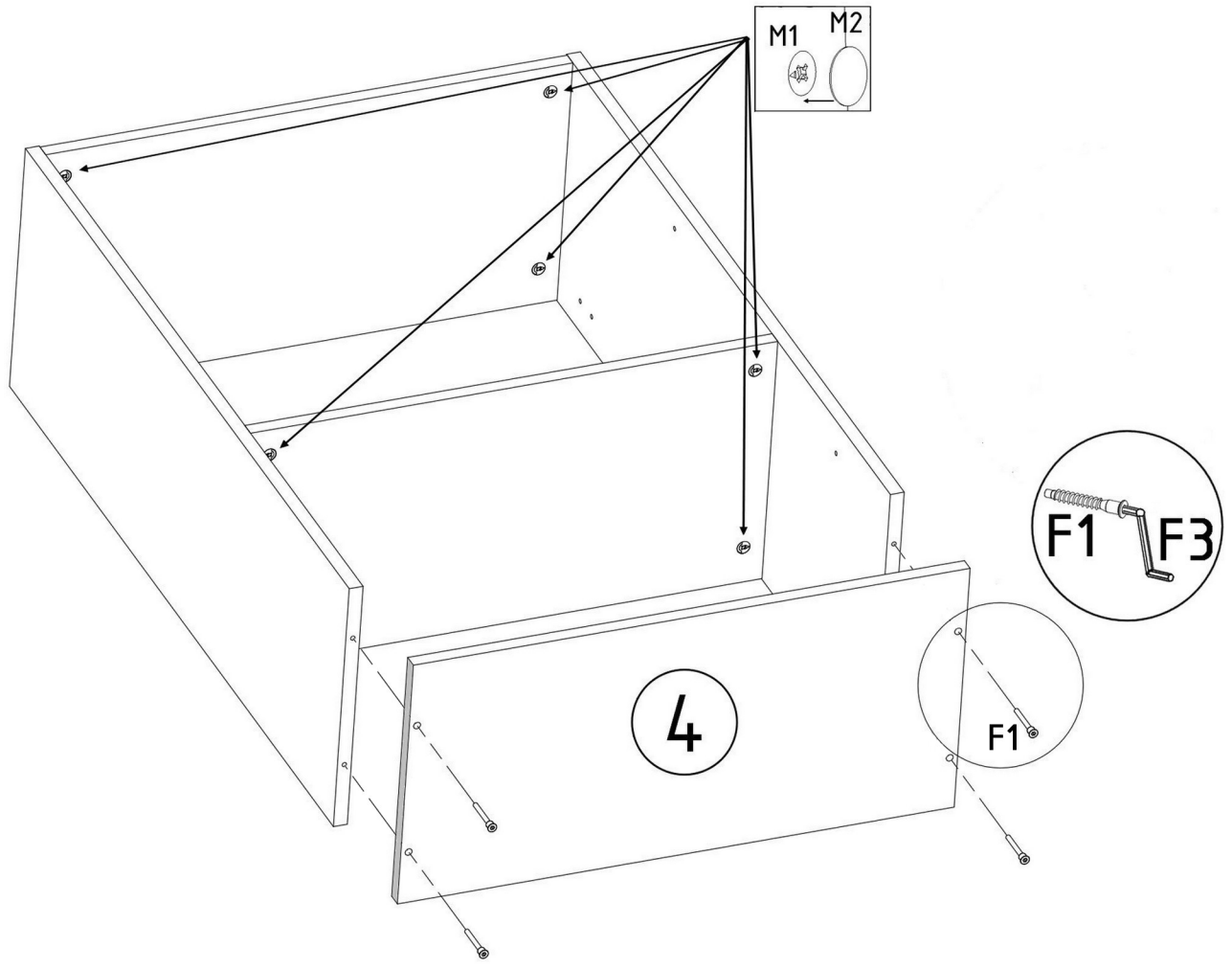
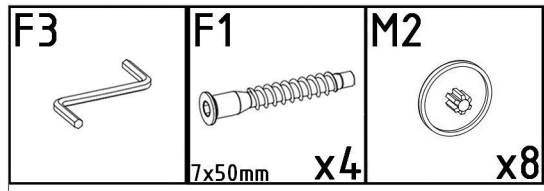


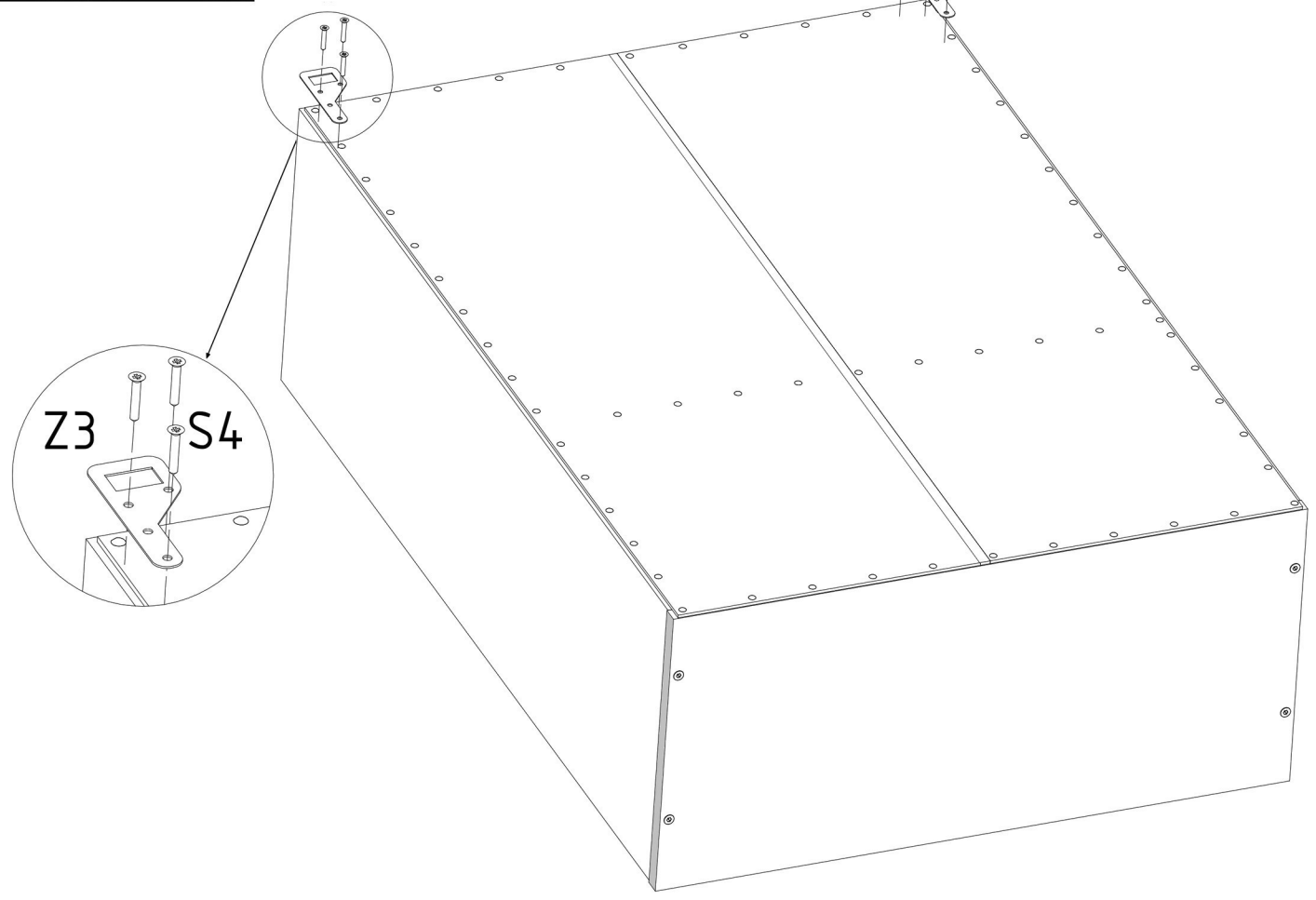
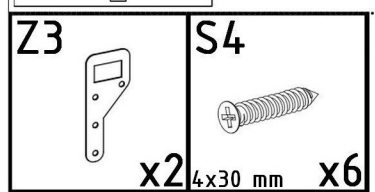
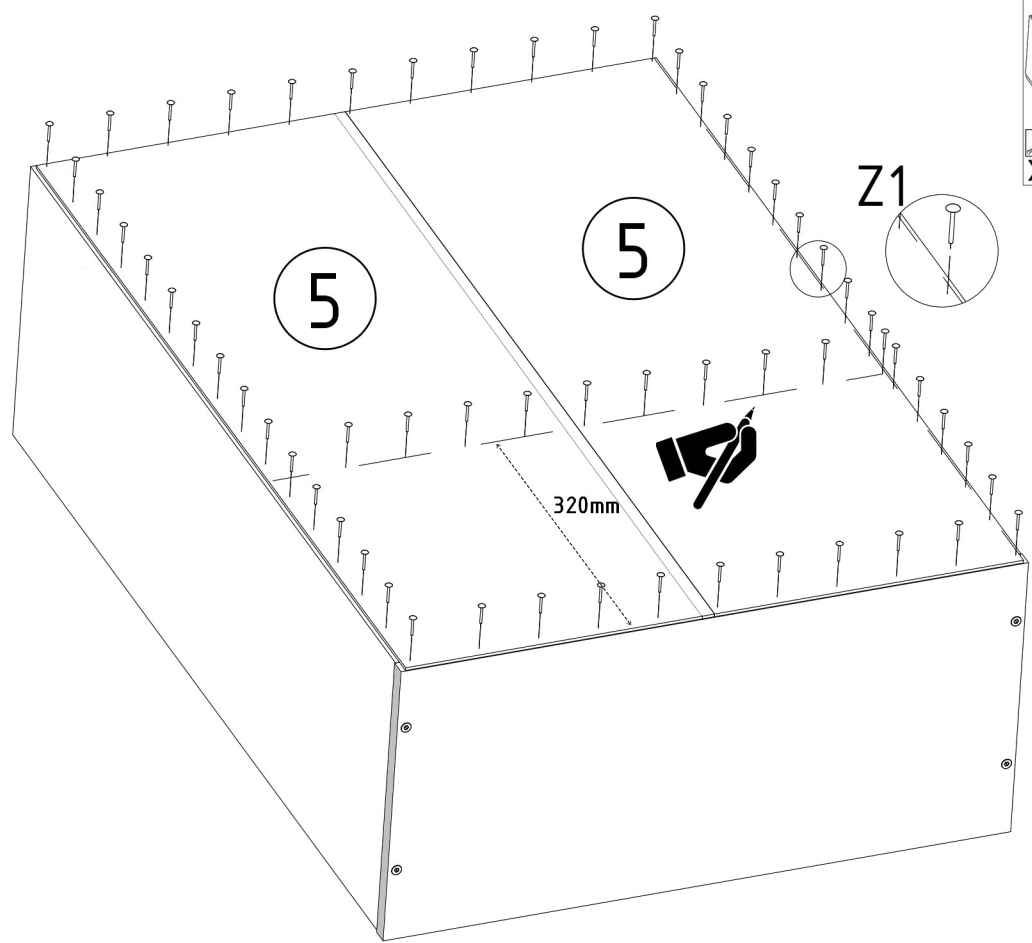
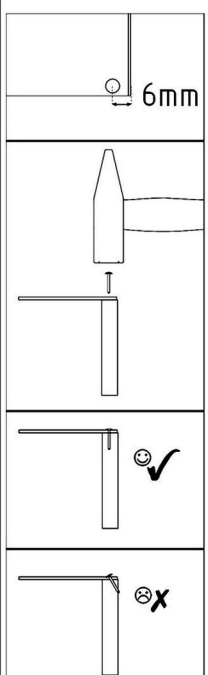
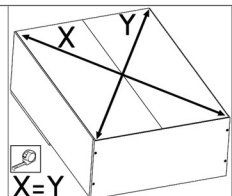
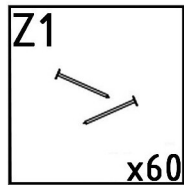
1	x	2
2	x	1
3	x	1
4	x	1
5	x	2
6	x	1
7	x	1
8	x	2

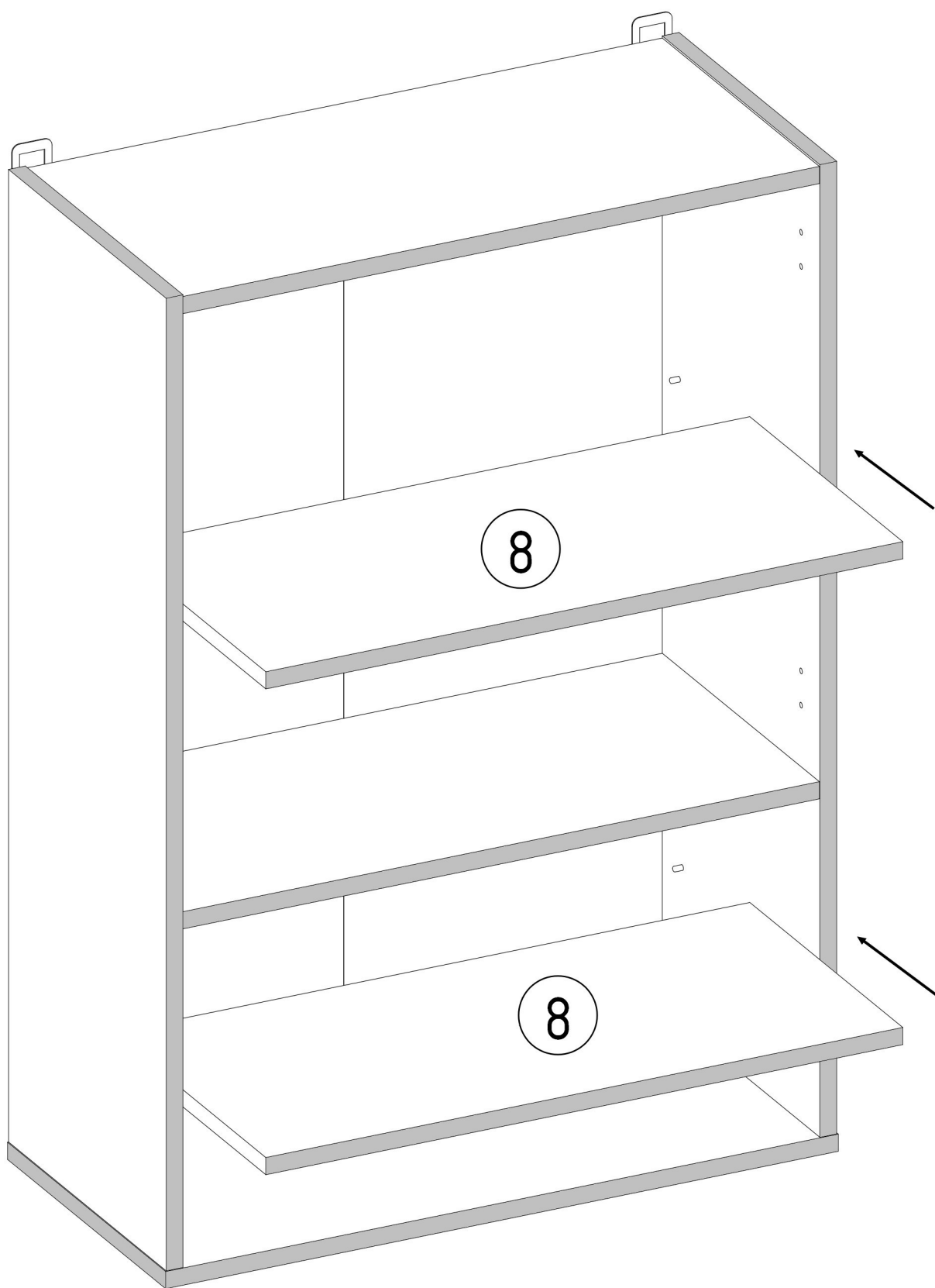
**x2**



N1  L=35mm X4	K7  5x16mm X4
---	--

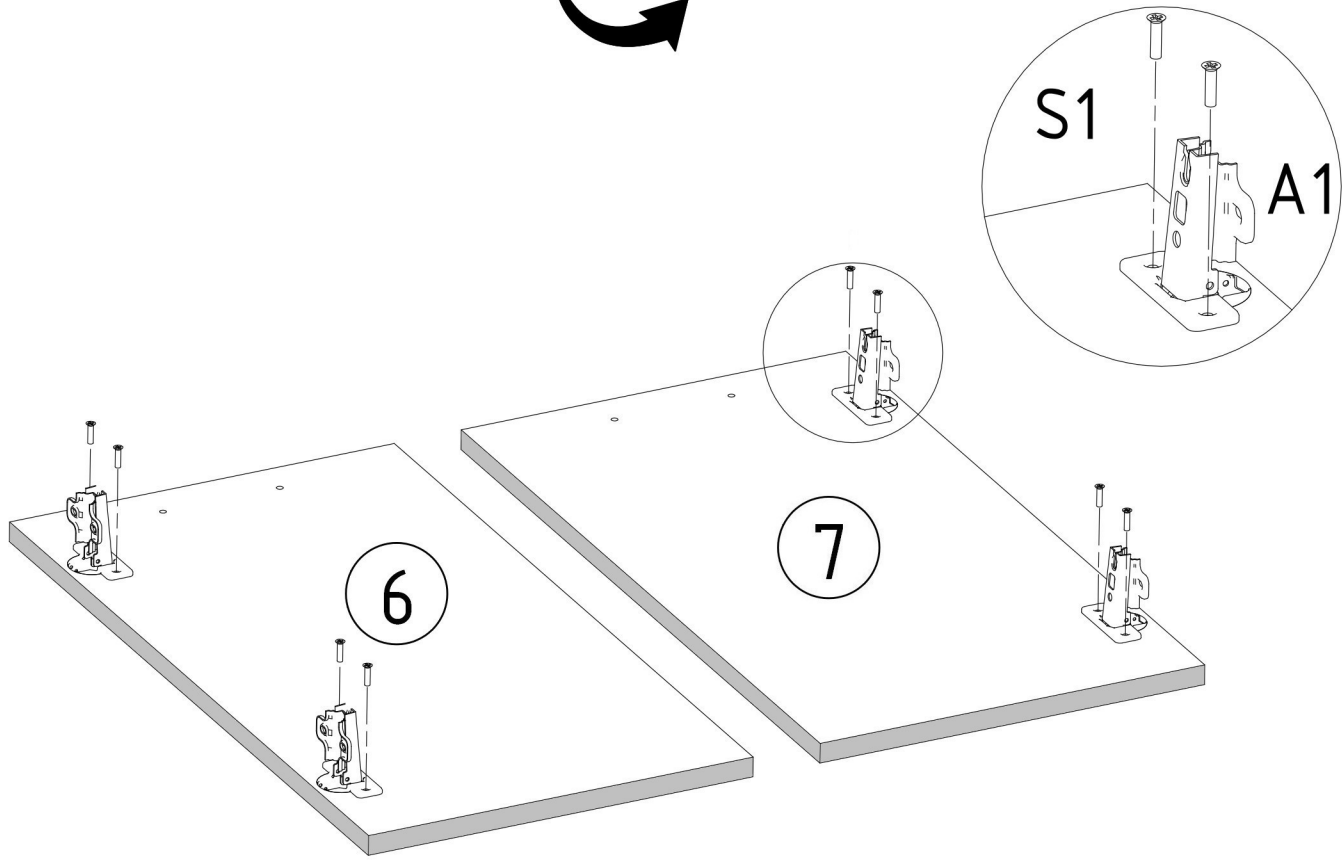
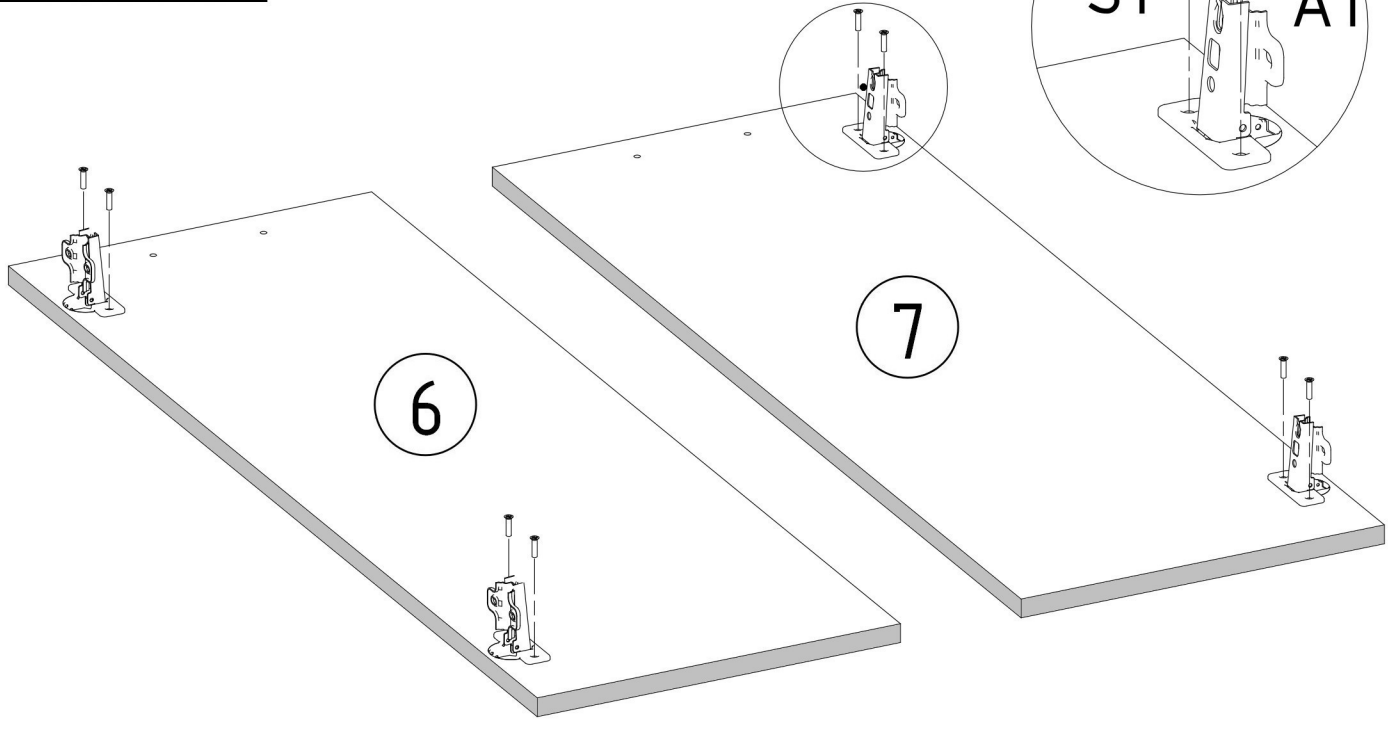


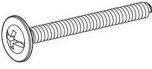




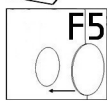
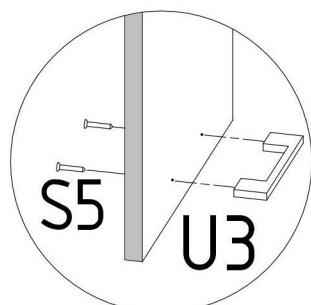
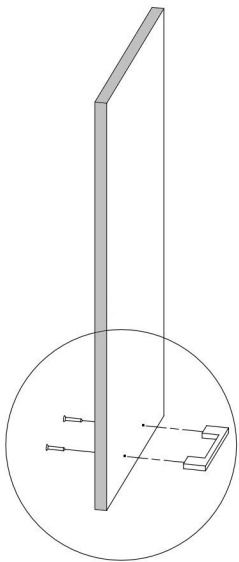
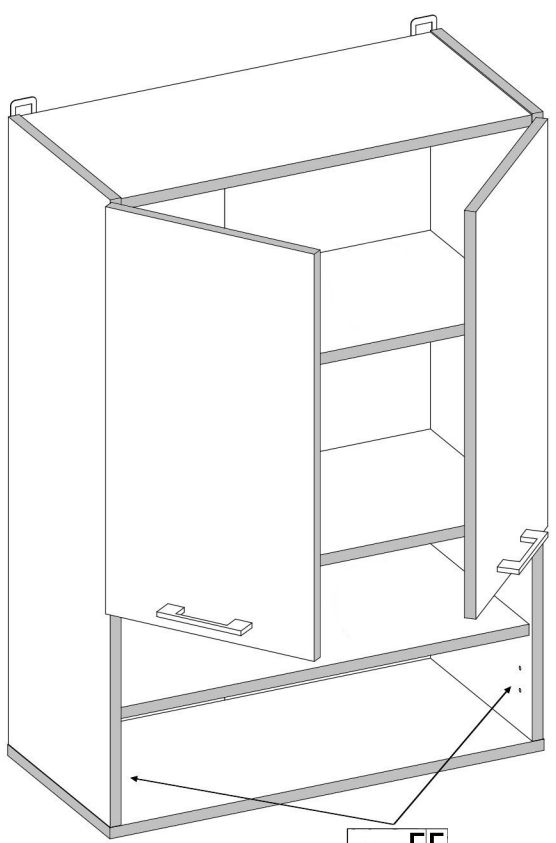
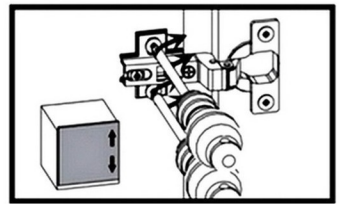
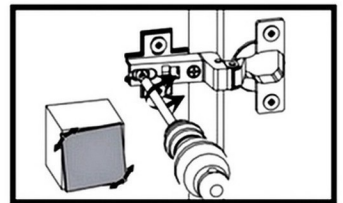
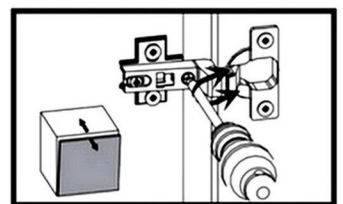
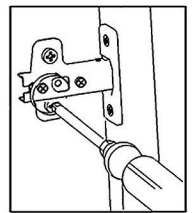
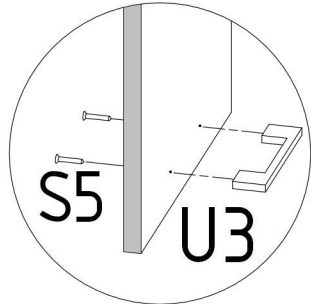
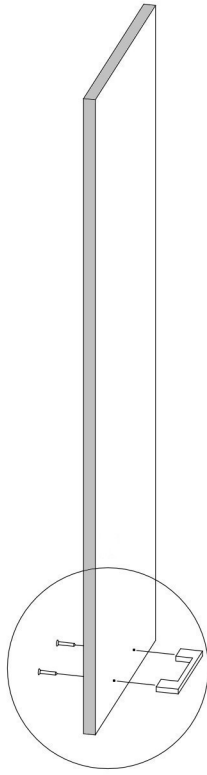
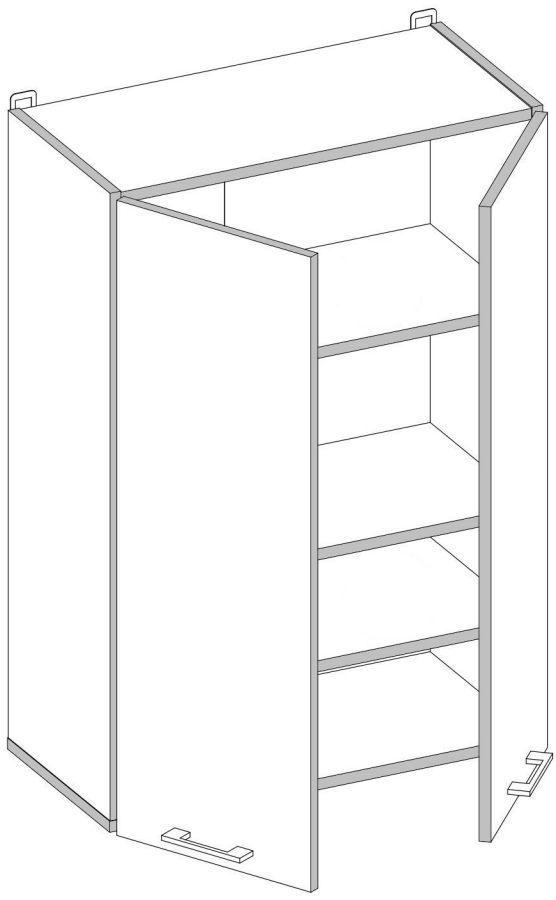


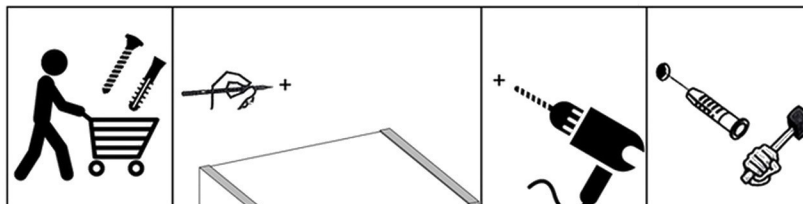


A1 	S1 
ZP	X4 3,5x16mm X8

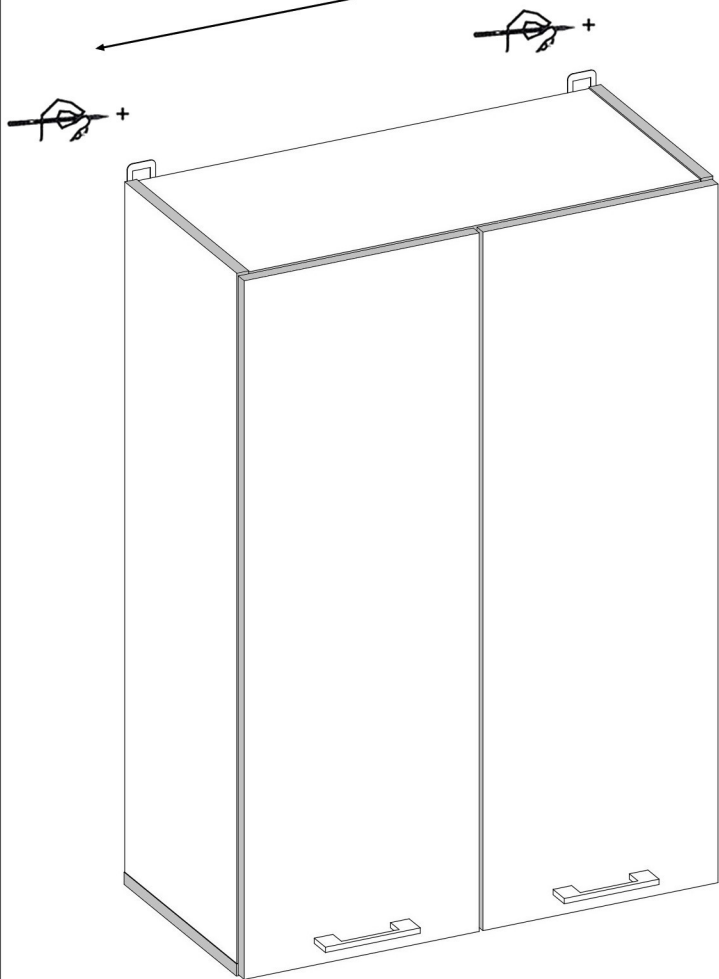


<p>S5</p>  <p>4x27 mm x4</p>	<p>U3</p>  <p>L=96/137mm x2</p>	<p>F5</p>  <p>x4</p>
--	--	---





590 mm



590 mm

