

# INDIA 42

(PL) Instrukcja montażu

(CZ) Návod k montáži

(D) Montageanleitung

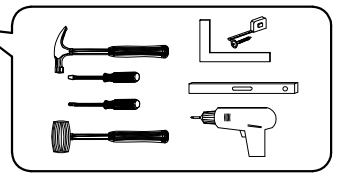
(GB) Assembly instruction

(F) Model d'emploi

(HU) Szerelési útmutató

(I) Istruzione di montaggio

(NL) Handleiding voor de montage



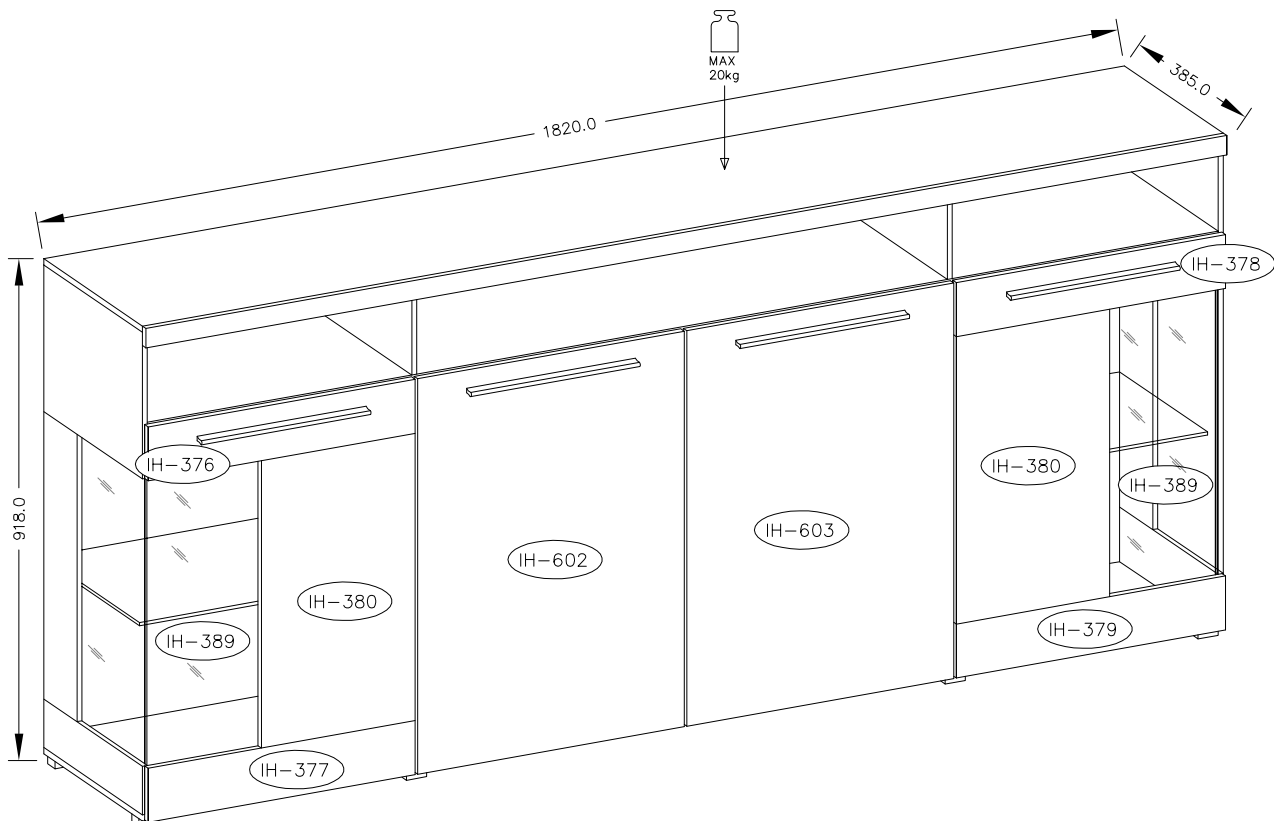
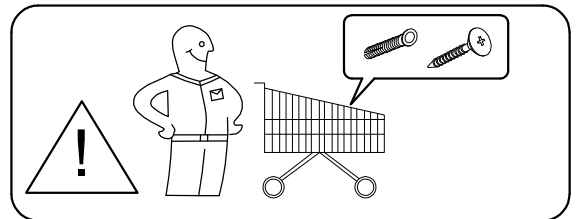
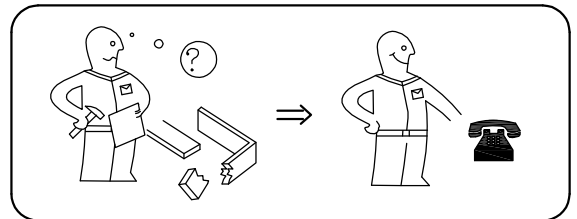
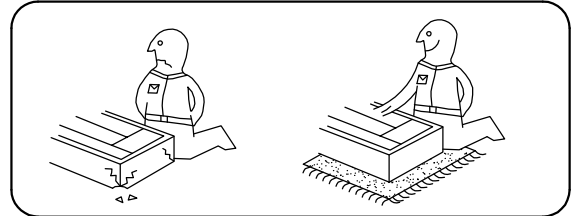
(RU) Инструкция по монтажу

(RO) Instrucțiuni de montare

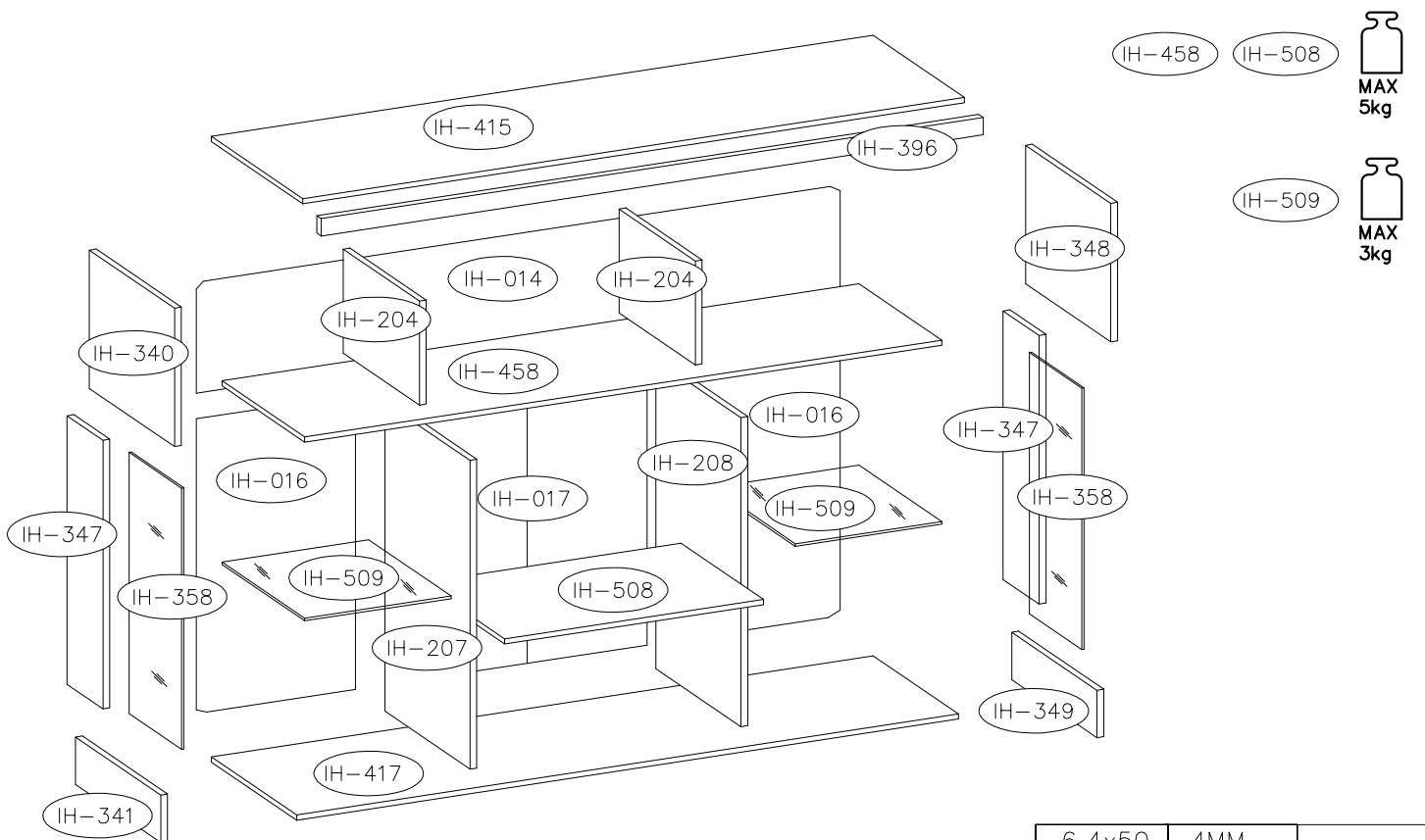
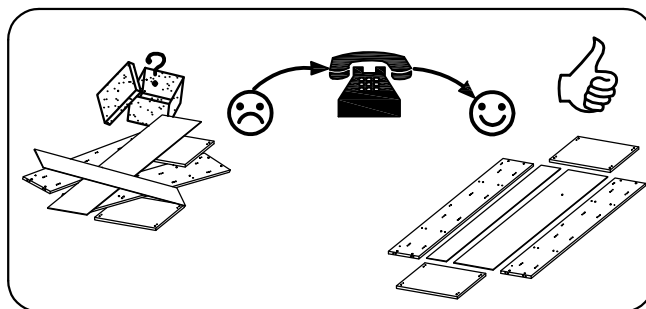
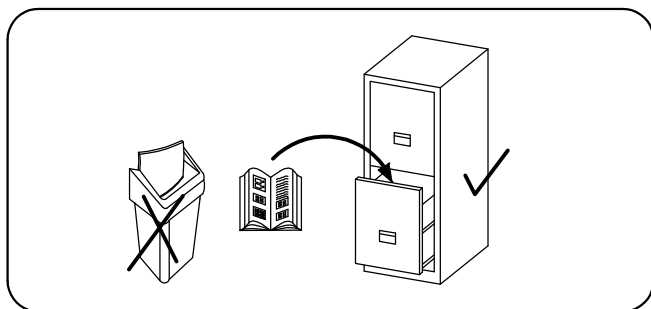
(SK) Návod k montáži

(TR) Montaj talimatı

| <b>Uwaga • Upozornění • Achtung • Attention • Caution • Figyelem</b><br><b>Attenzione • Opgelet • Внимание • Atenție • Upozornenie • Dikkat</b> |                                                                                                                                                    |
|-------------------------------------------------------------------------------------------------------------------------------------------------|----------------------------------------------------------------------------------------------------------------------------------------------------|
| PL                                                                                                                                              | Czyszczenie należy wykonać wyłącznie za pomocą ściereczki lub lekko nawilżonego ręcznika. Nie stosować środków czyszczących do szorowania.         |
| CZ                                                                                                                                              | Čistění je nutné vykonávat výhradně pomocí utěrky nebo lehce navlhčeného ručníku. Nepoužívejte čističí prostředky obsahující abrazivní částice.    |
| D                                                                                                                                               | Bitte nur mit einem Staubtuch oder leicht feuchtem Lappen reinigen. Keine scheuernden Putzmittel verwenden.                                        |
| GB                                                                                                                                              | Please only clean with a duster or a damp cloth. Do not use any abrasive cleaners.                                                                 |
| F                                                                                                                                               | Le nettoyage se fait uniquement à l'aide d'un torchon ou d'une serviette légèrement mouillée.                                                      |
| HU                                                                                                                                              | A tisztítás kizárólag törölruha vagy enyhén nedvesített törölköző segítségével végezhető. Súroló hatású tisztítószereket nem szabad használni.     |
| I                                                                                                                                               | Pulire esclusivamente con un panno o un asciugamano umido.                                                                                         |
| NL                                                                                                                                              | Reinig alleen met een stofdoek of een lichtjes vochtige doek. Gebruik geen schurende poetsmiddelen.                                                |
| RU                                                                                                                                              | Очищайте от пыли тряпкой или слегка влажной ветошью. Не допускается применение чистящих средств, не предназначенных для ухода за мебелью.          |
| RO                                                                                                                                              | Curățarea trebuie efectuată numai cu o cârpă sau cu un prosop ușor umezit. Nu utilizați agenți de curățare abrazivi.                               |
| SK                                                                                                                                              | Čistení je nutné vykonávať výhradne pomocí utierky alebo ľahko zvlhnutým ručníkom. Nepoužívajte čistiaci prostriedky obsahujúci abrazívni častice. |
| TR                                                                                                                                              | Lütfen sadece bir toz beziyile veya hafif nemli yumuşak bir bezle siliniz. Aşındırıcı temizlik malzemeleri kullanmayınız.                          |




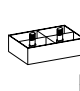


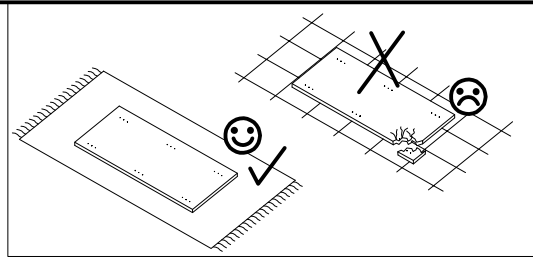
# INDIA 42



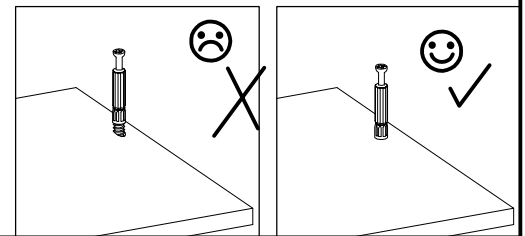
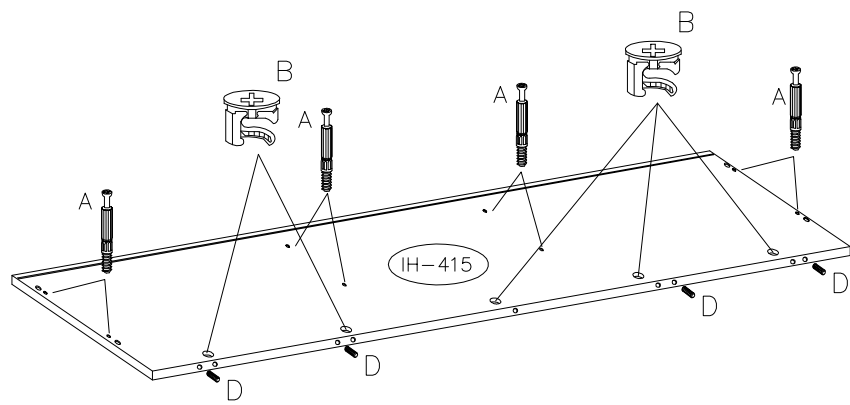
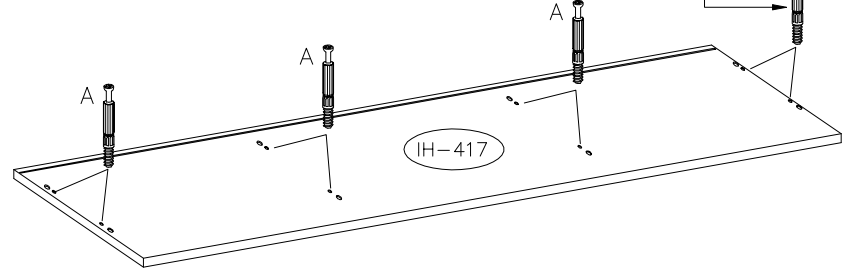
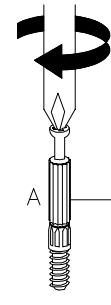
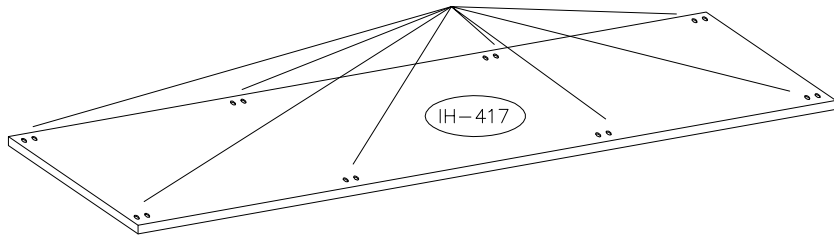
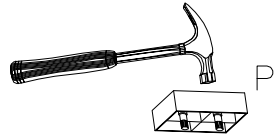
|   |   |    |
|---|---|----|
|   |   |    |
| V | Z | V1 |
| 4 | 1 | 16 |




|    |    |    |    |   |    |    |    |    |    |    |
|----|----|----|----|---|----|----|----|----|----|----|
|    |    |    |    |   |    |    |    |    |    |    |
| A  | B  | C  | D  | E | F  | G  | H  | J  | X  | K  |
| 29 | 53 | 53 | 24 | 4 | 16 | 8  | 12 | 20 | 8  | 6  |
|    |    |    |    |   |    |    |    |    |    |    |
| M  | N  | O  | P  | S | D1 | D2 | W  | I1 | P1 | R1 |
| 5  | 4  | 8  | 8  | 4 | 8  | 12 | 8  | 1  | 16 | 4  |

|                                                                                 |                                                                                  |        |                                                                                  |                                                                                  |
|---------------------------------------------------------------------------------|----------------------------------------------------------------------------------|--------|----------------------------------------------------------------------------------|----------------------------------------------------------------------------------|
|  |  | 8.0x30 |  |  |
| A                                                                               | B                                                                                |        | D                                                                                | P                                                                                |
| 16                                                                              | 5                                                                                | 4      | 8                                                                                |                                                                                  |

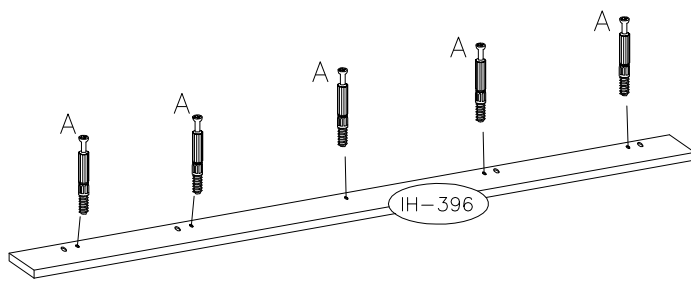
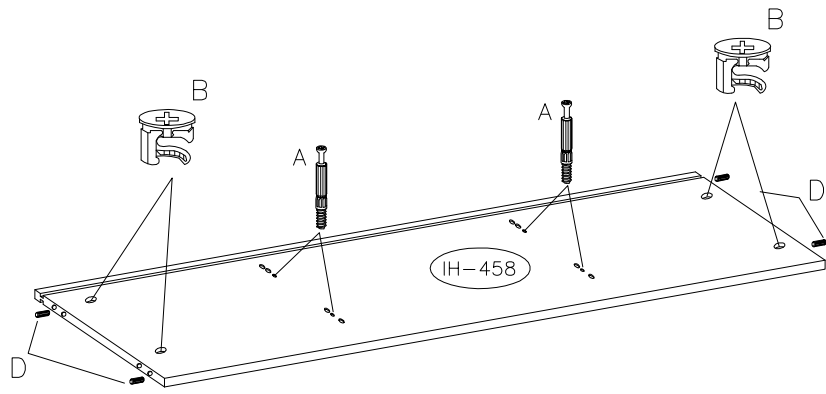


1

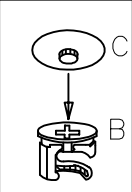
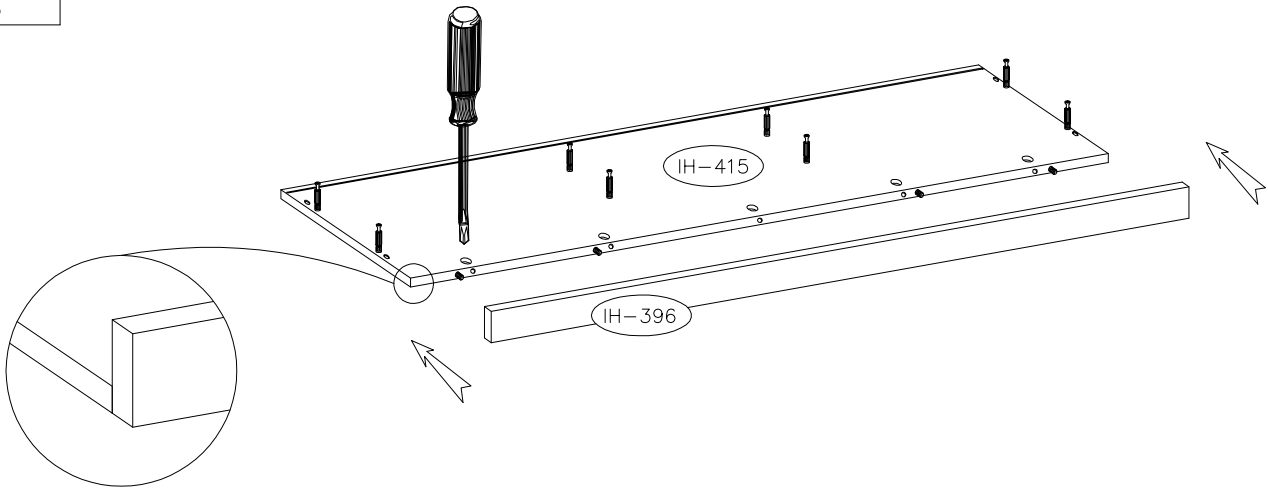




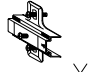
|                                                                                    |                                                                                     |        |                                                                                     |
|------------------------------------------------------------------------------------|-------------------------------------------------------------------------------------|--------|-------------------------------------------------------------------------------------|
|  |  | 8.0x30 |  |
| A                                                                                  | B                                                                                   |        | D                                                                                   |
| 9                                                                                  | 4                                                                                   | 4      |                                                                                     |

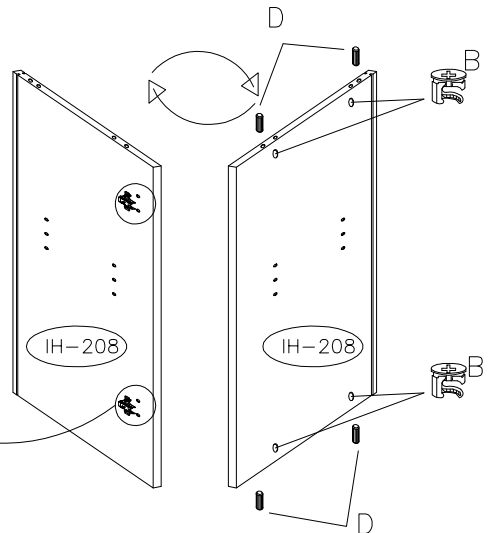
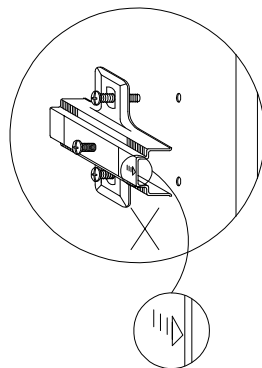
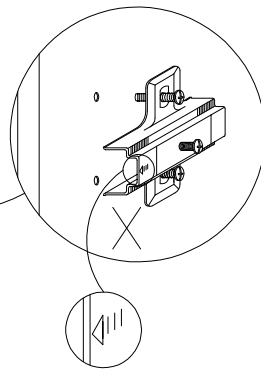
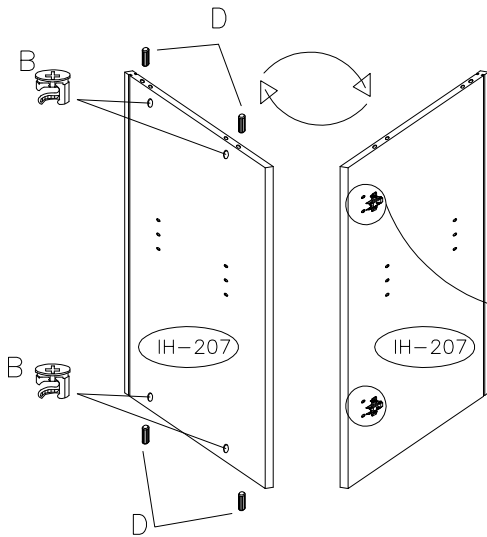
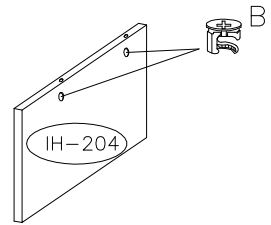
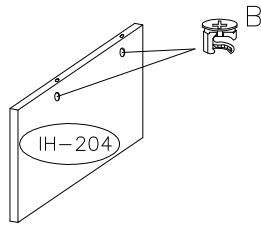
2



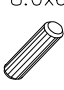


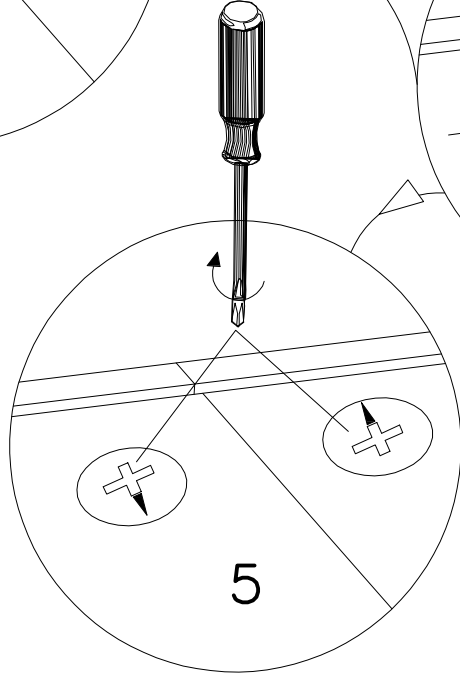
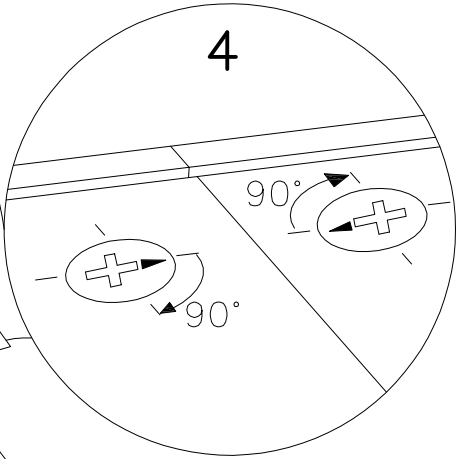
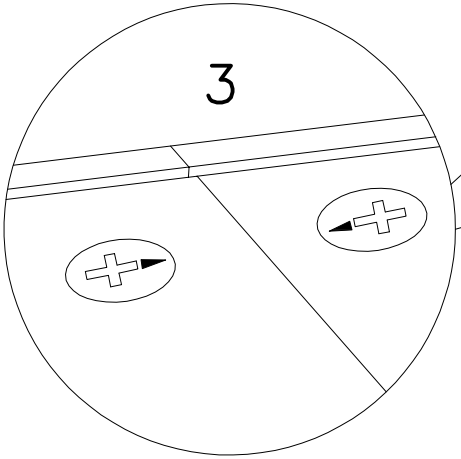
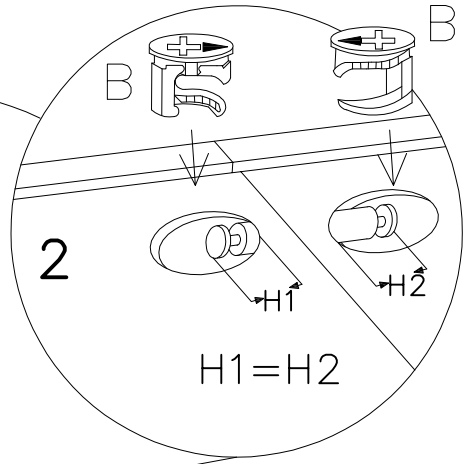
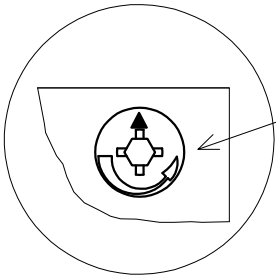
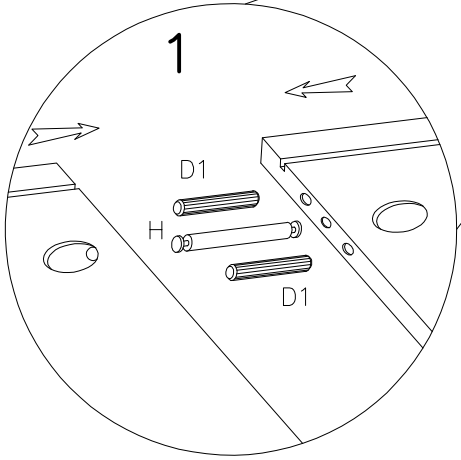
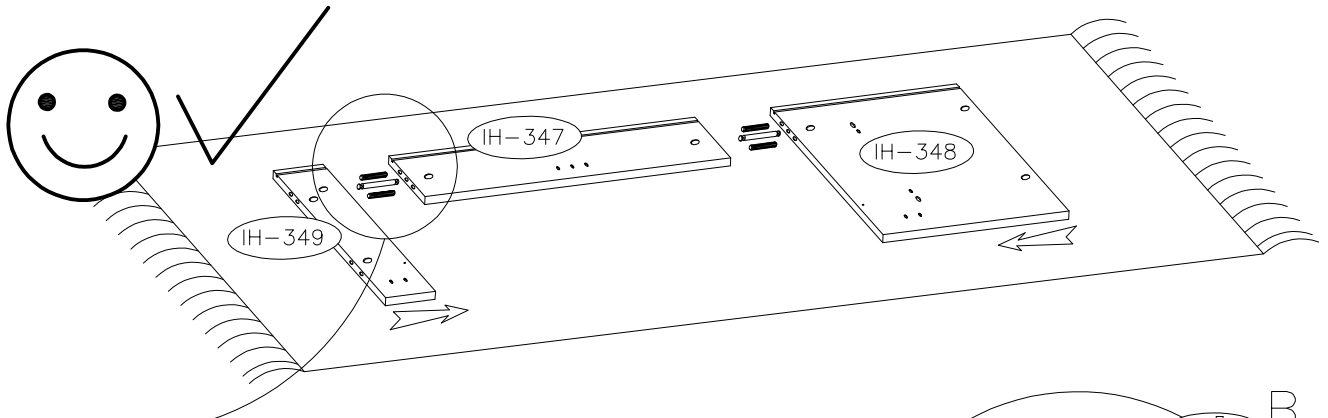
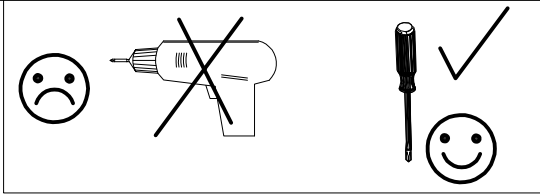
C  
5





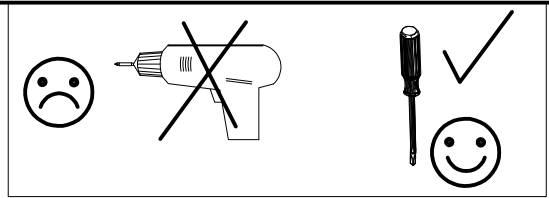
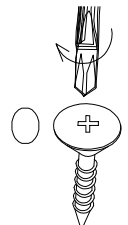
|                                                                                  |                                                                                             |                                                                                   |
|----------------------------------------------------------------------------------|---------------------------------------------------------------------------------------------|-----------------------------------------------------------------------------------|
|  | 8.0x30<br> |  |
| 12                                                                               | 8                                                                                           | 4                                                                                 |



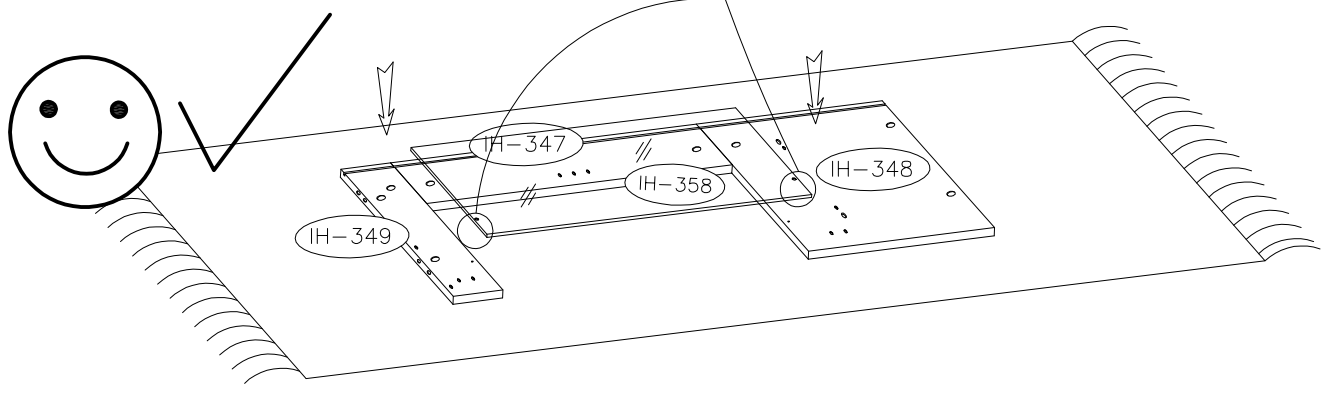
|                                                                                   |                                                                                    |                                                                                               |
|-----------------------------------------------------------------------------------|------------------------------------------------------------------------------------|-----------------------------------------------------------------------------------------------|
|  B |  H | 8.0x60<br> D1 |
| 4                                                                                 | 2                                                                                  | 4                                                                                             |


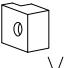



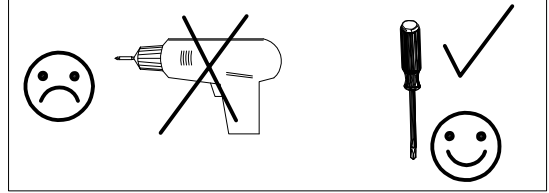
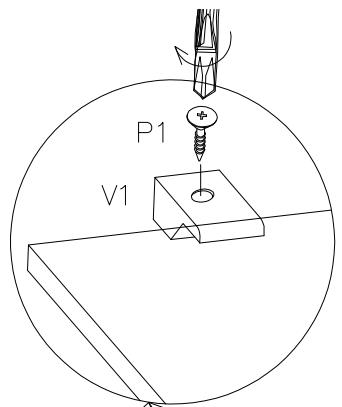
|        |                                                                                 |                                                                                  |
|--------|---------------------------------------------------------------------------------|----------------------------------------------------------------------------------|
| 3.5x16 |  |  |
| 2      | 0                                                                               | W                                                                                |
| 2      |                                                                                 | 2                                                                                |



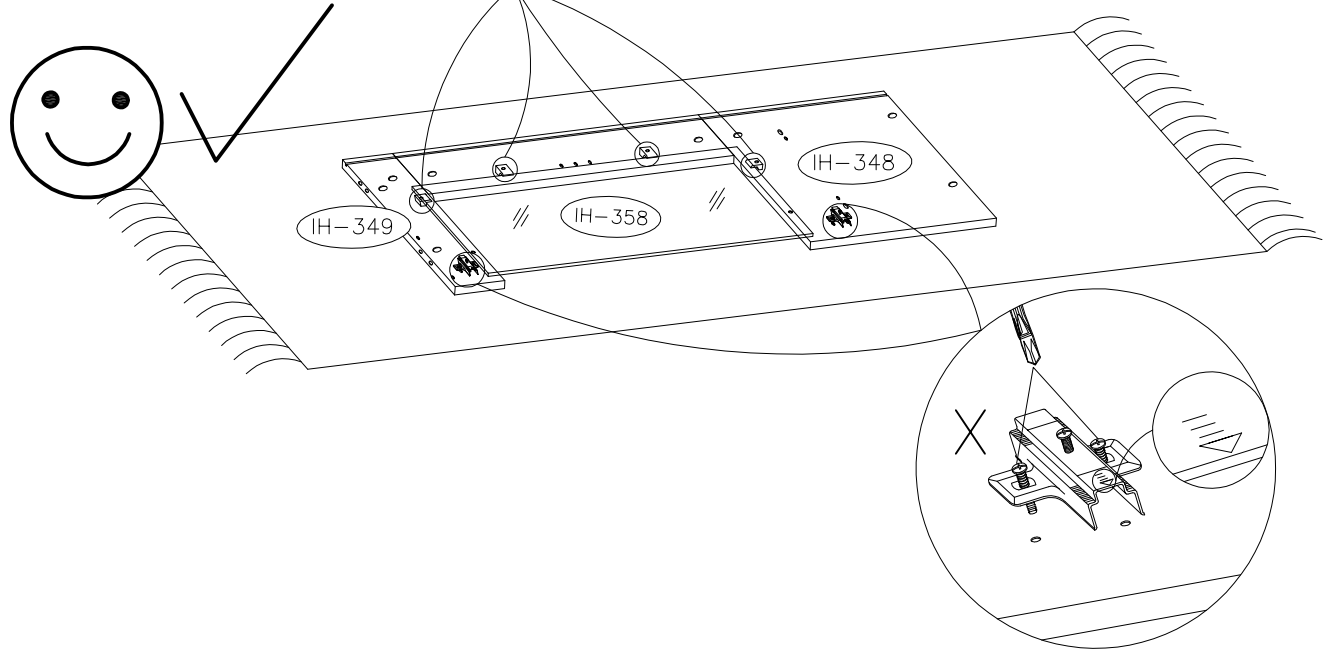
6



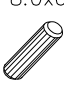


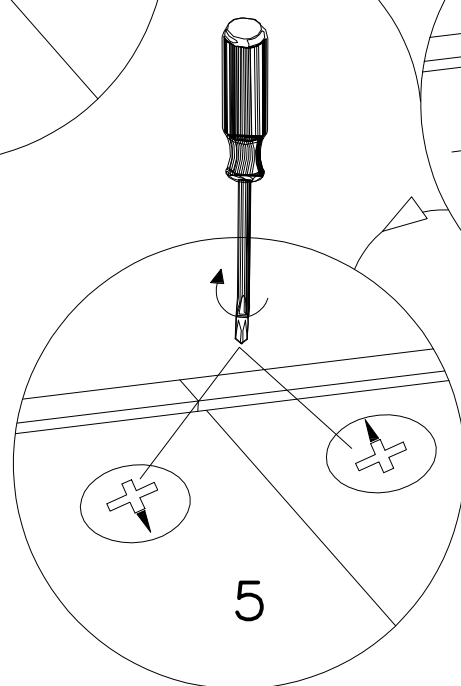
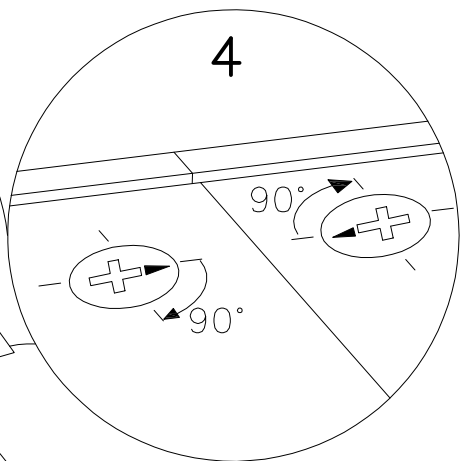
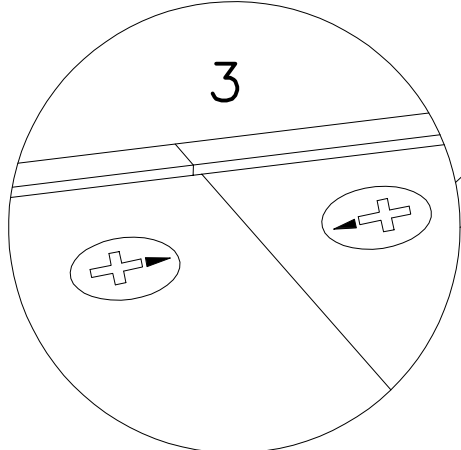
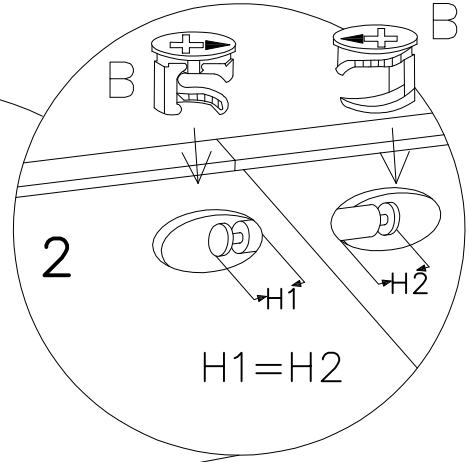
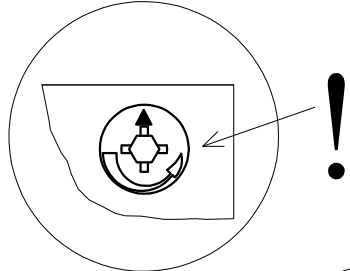
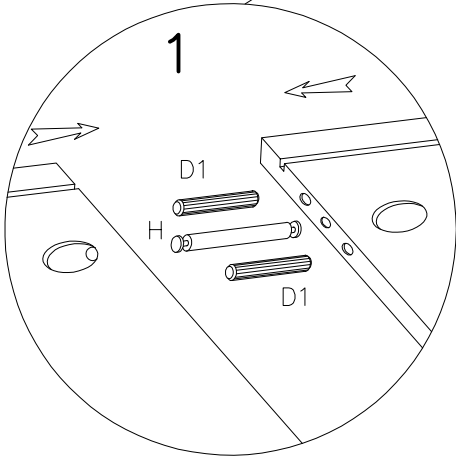
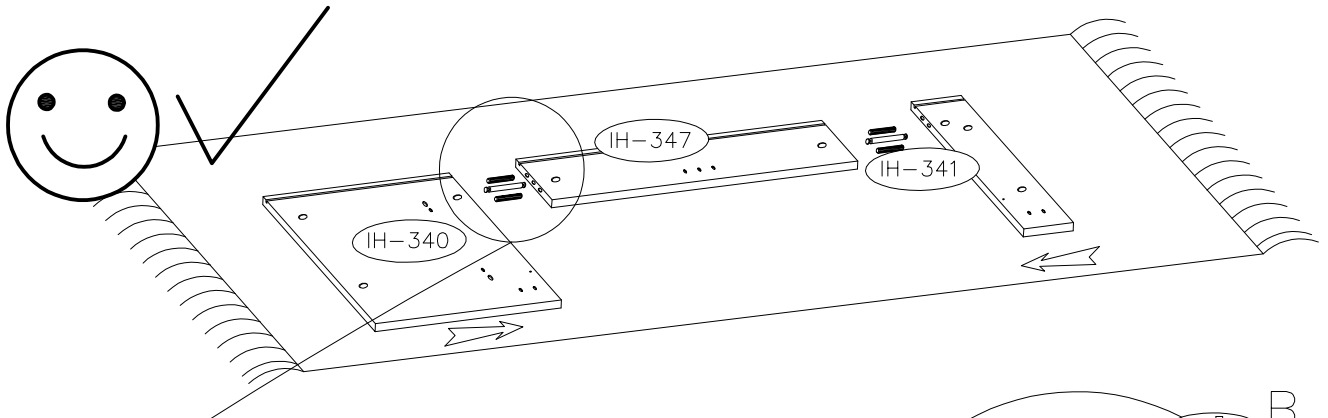
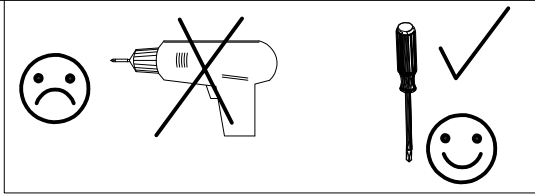
|                                                                                    |                                                                                     |                                                                                     |
|------------------------------------------------------------------------------------|-------------------------------------------------------------------------------------|-------------------------------------------------------------------------------------|
|  | 3.0x15                                                                              |  |
| X                                                                                  |  | V1                                                                                  |
| 2                                                                                  | 4                                                                                   | 4                                                                                   |



7



|                                                                                   |                                                                                    |                                                                                               |
|-----------------------------------------------------------------------------------|------------------------------------------------------------------------------------|-----------------------------------------------------------------------------------------------|
|  B |  H |  8.0x60<br>D1 |
| 4                                                                                 | 2                                                                                  | 4                                                                                             |

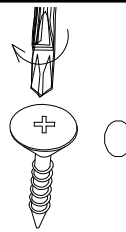
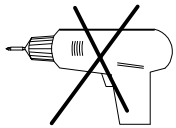


3.5x16

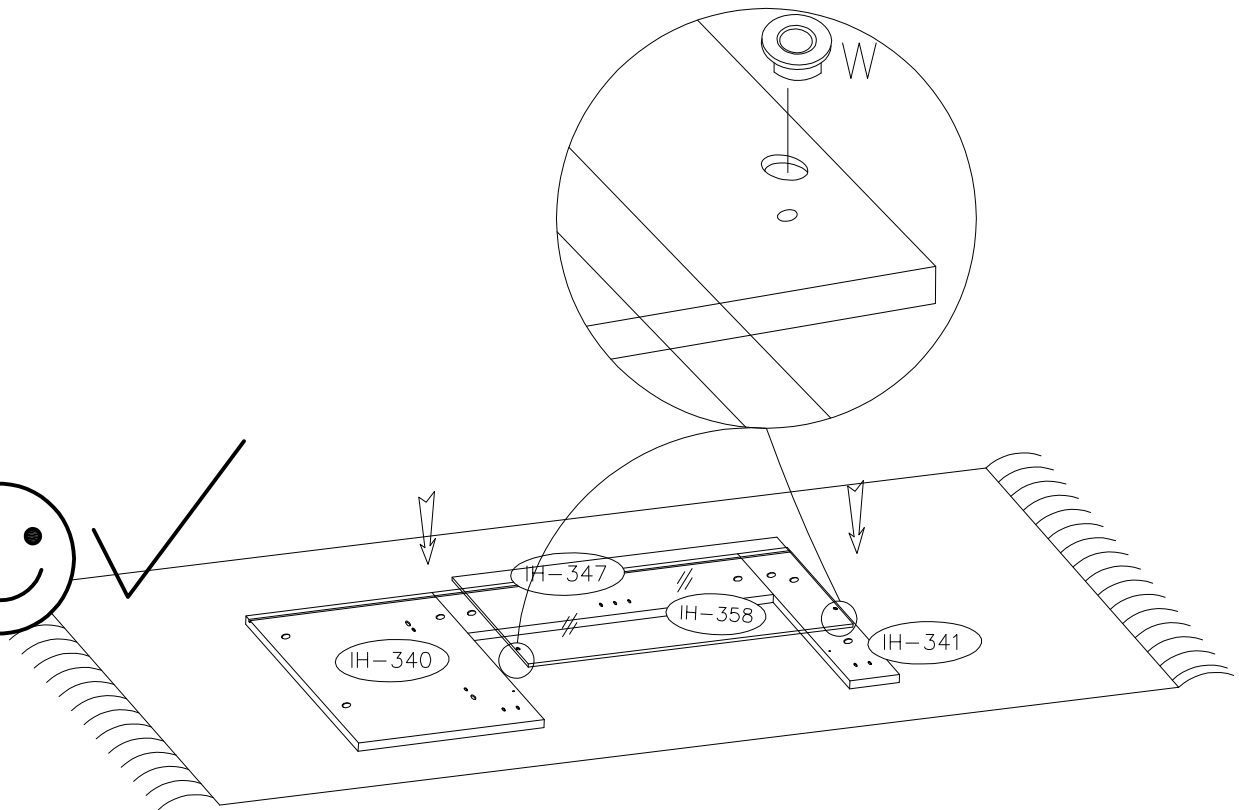
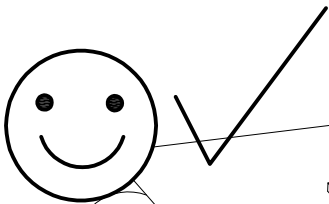


2

2



9



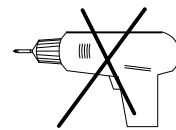
3.0x15



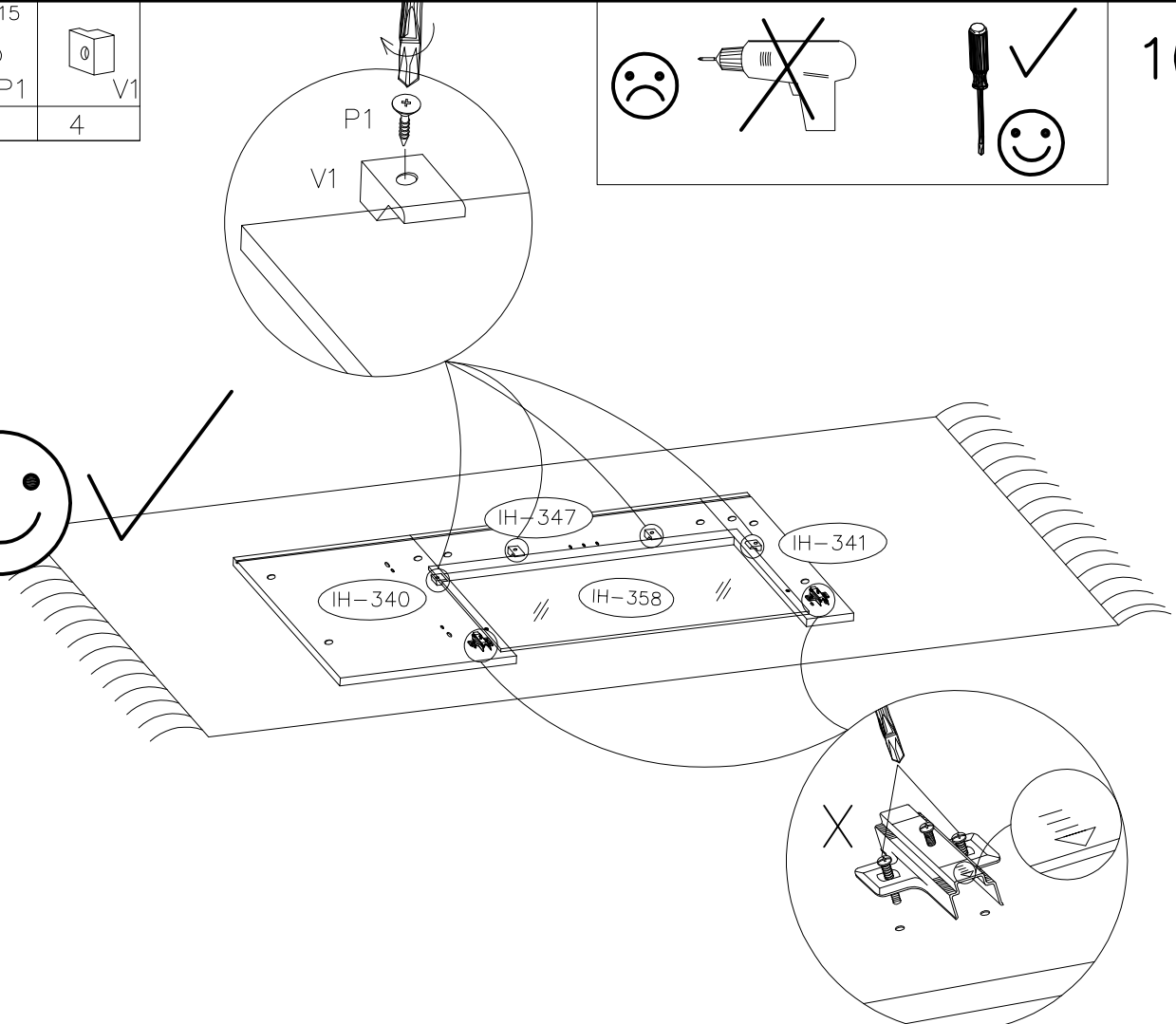
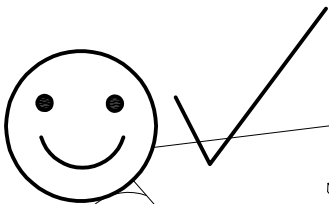
2

4


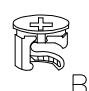
4

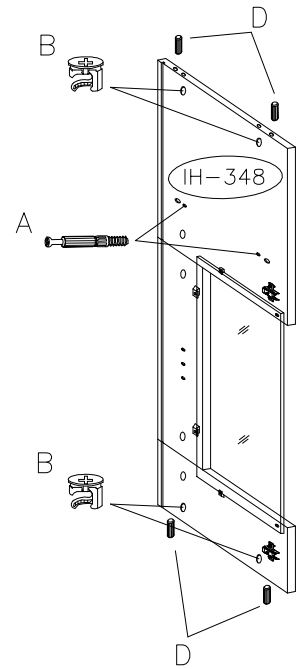
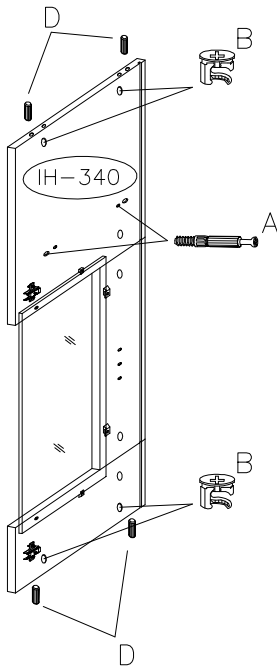




10

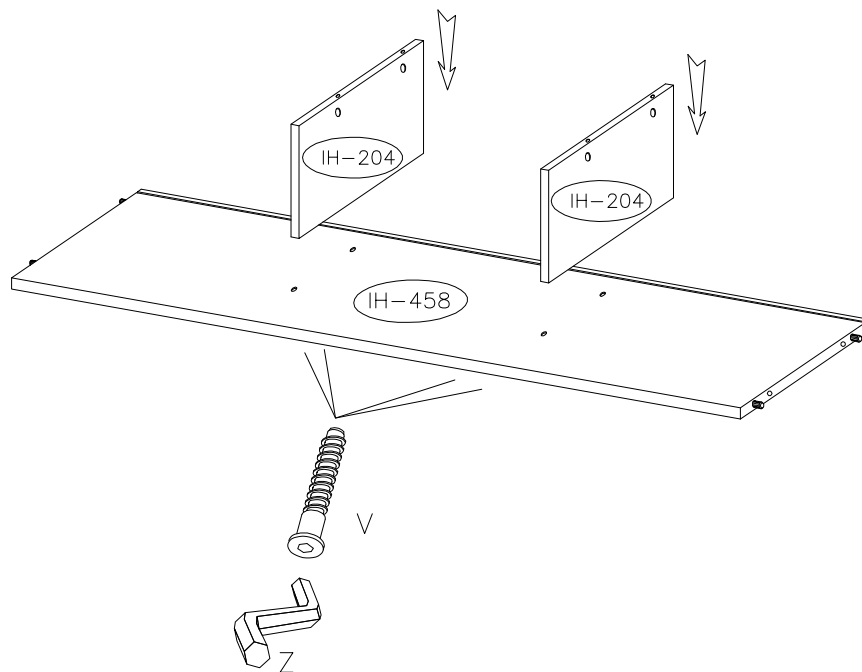


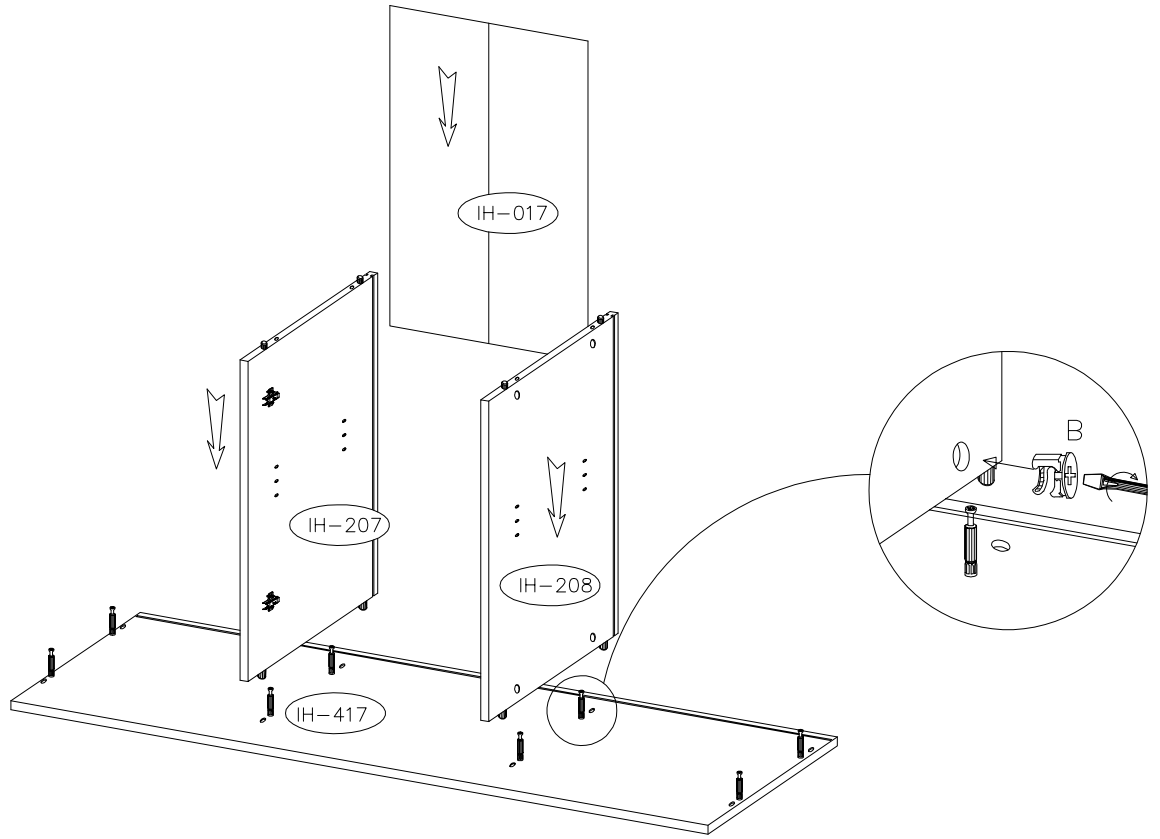


|                                                                                  |                                                                                  |        |
|----------------------------------------------------------------------------------|----------------------------------------------------------------------------------|--------|
|  |  | 8.0x30 |
| A                                                                                | B                                                                                | D      |
| 4                                                                                | 8                                                                                | 8      |

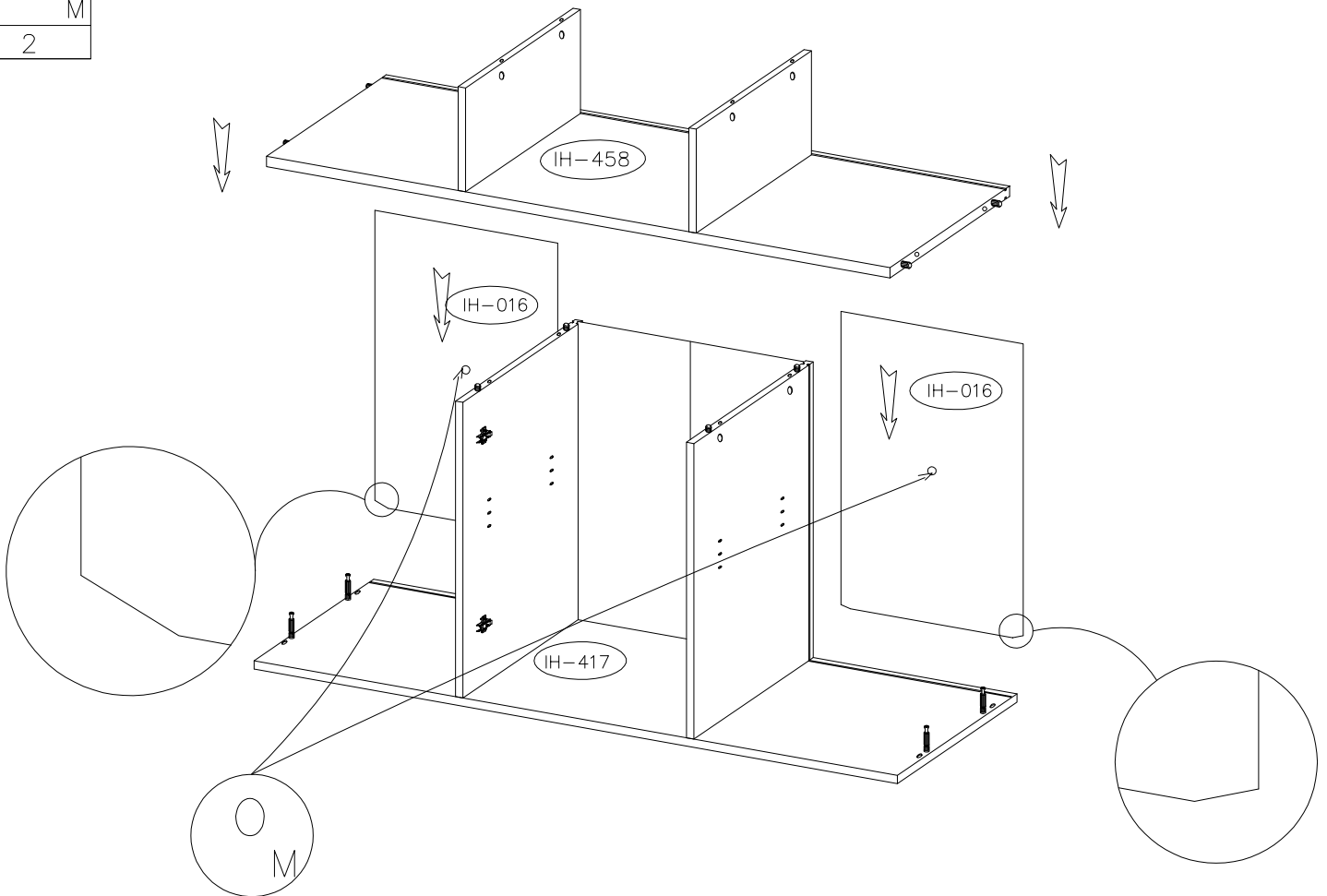


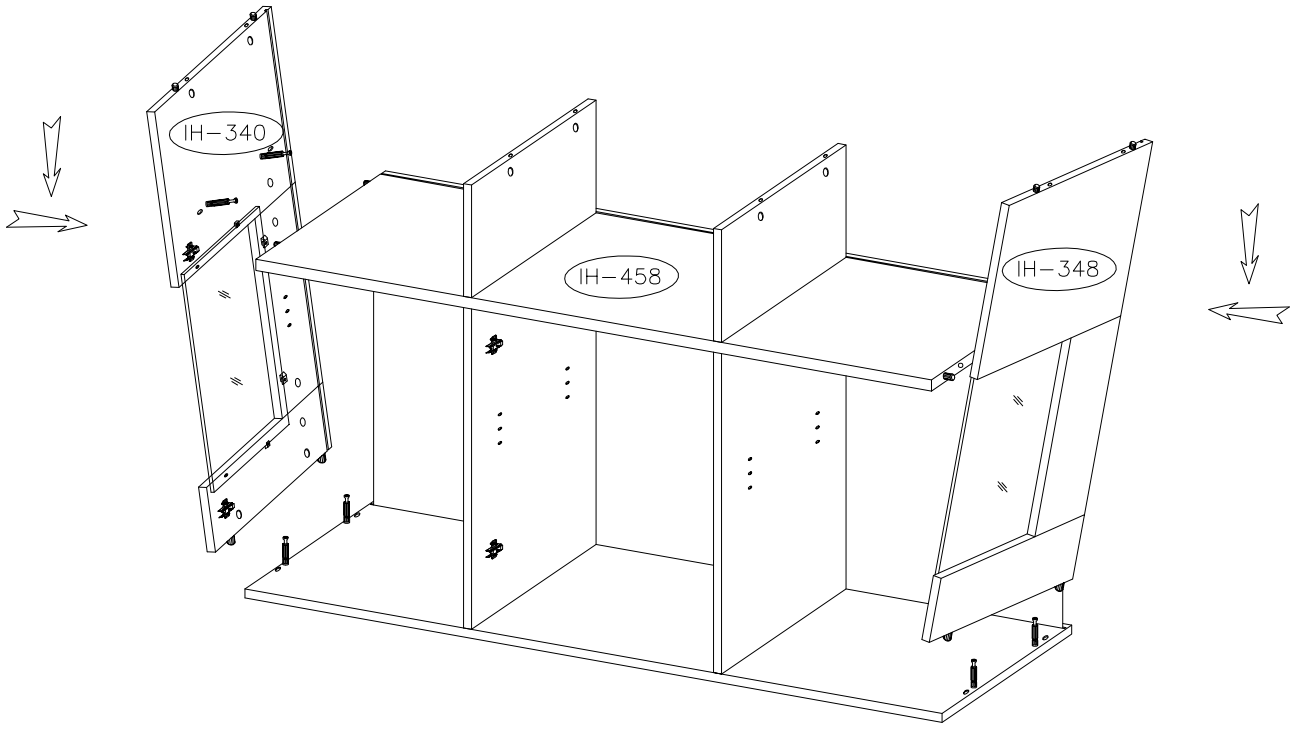
|                                                                                    |                                                                                     |
|------------------------------------------------------------------------------------|-------------------------------------------------------------------------------------|
|  |  |
| V                                                                                  | Z                                                                                   |
| 4                                                                                  | 1                                                                                   |





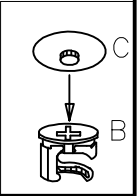
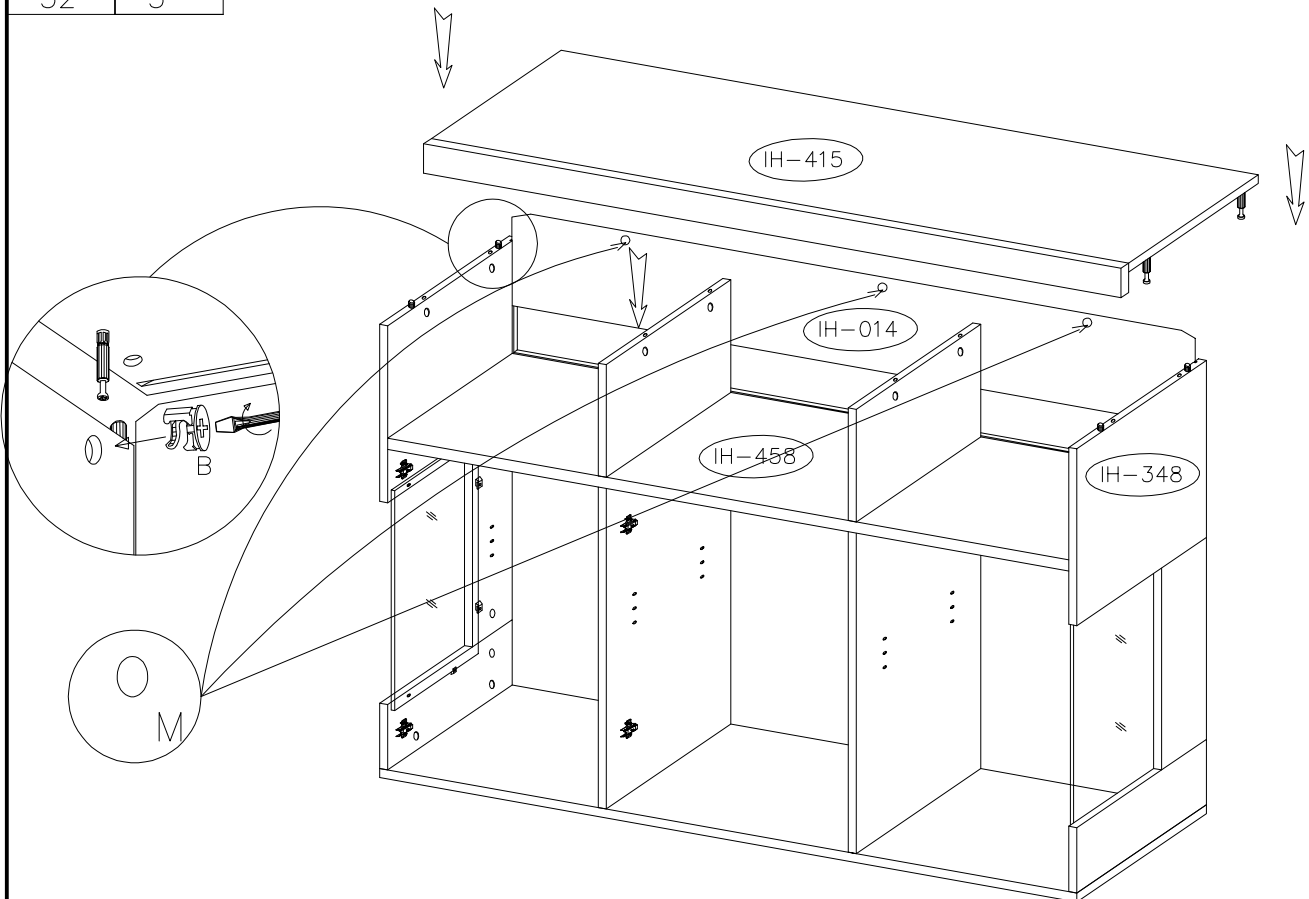


|   |   |
|---|---|
| ○ | M |
| 2 |   |



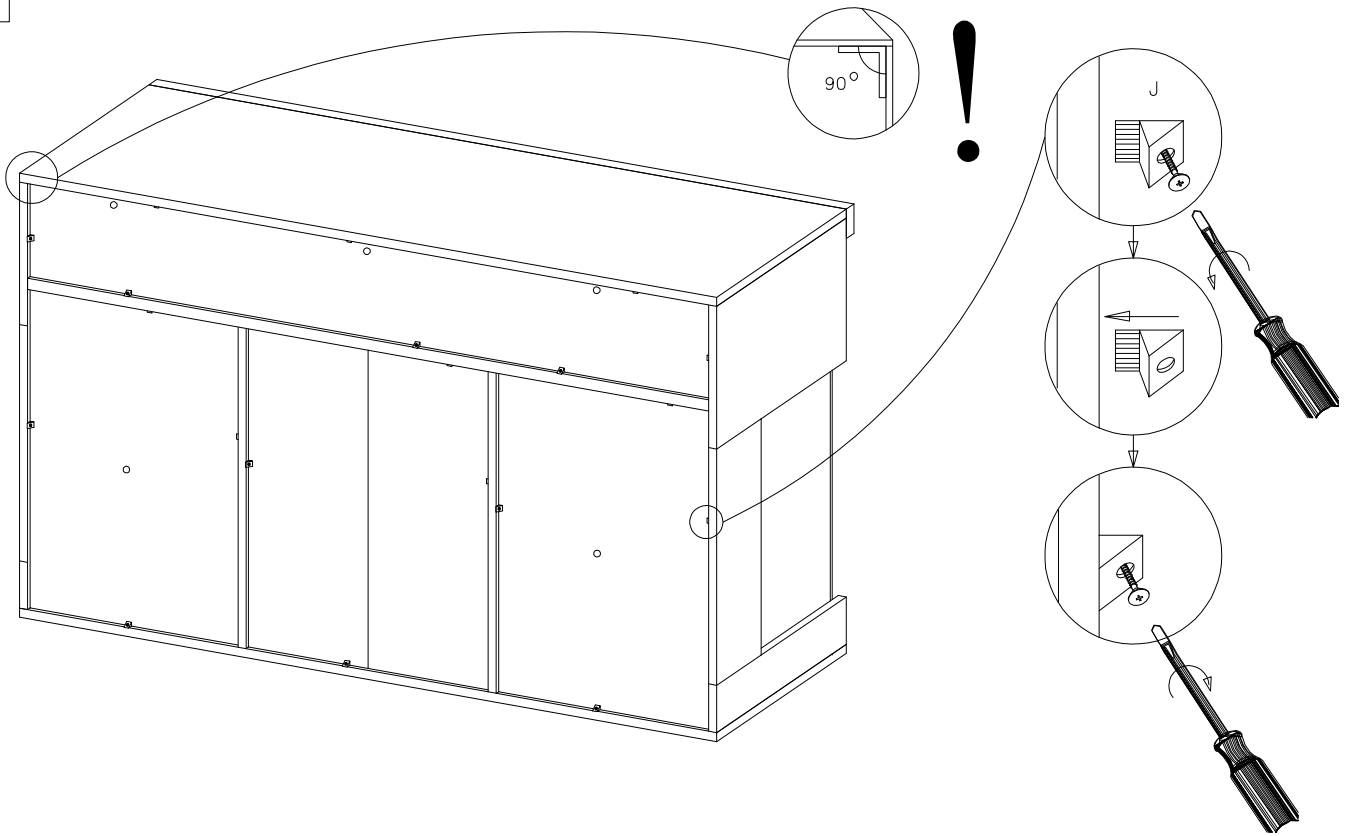


|                                                                                    |                                                                                     |
|------------------------------------------------------------------------------------|-------------------------------------------------------------------------------------|
|  |  |
| C                                                                                  | M                                                                                   |
| 32                                                                                 | 3                                                                                   |



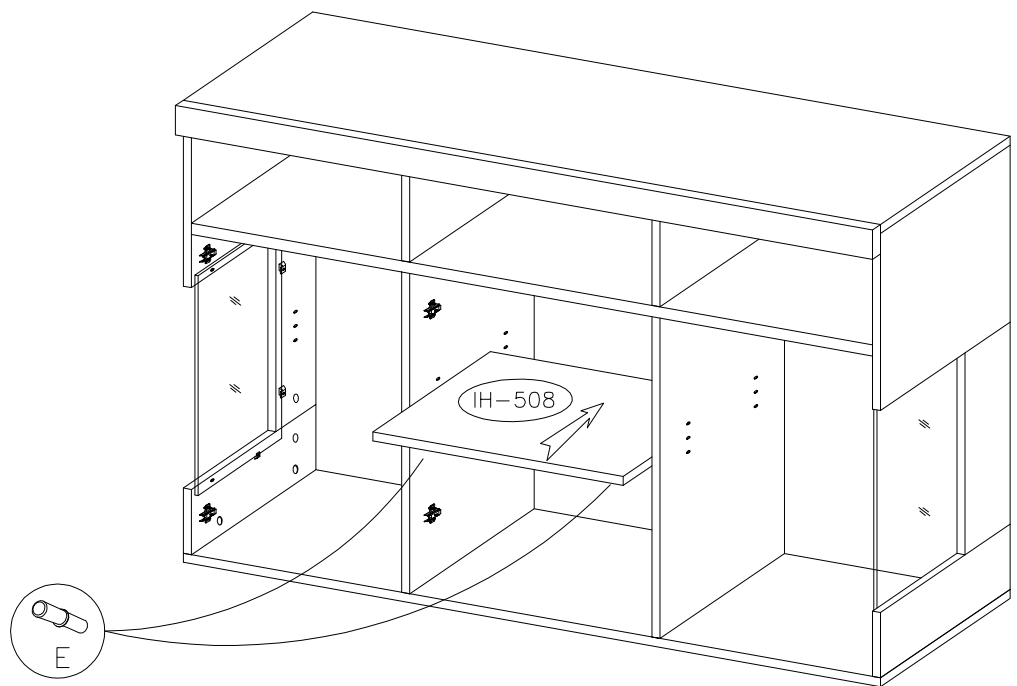
J  
20

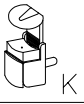
17



E  
4

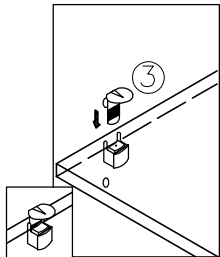
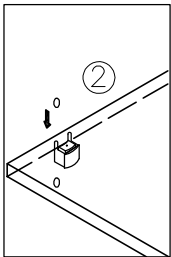
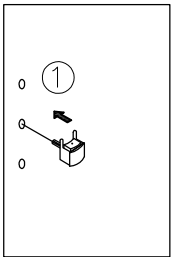
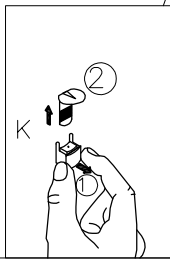
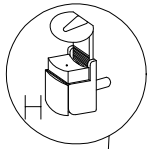
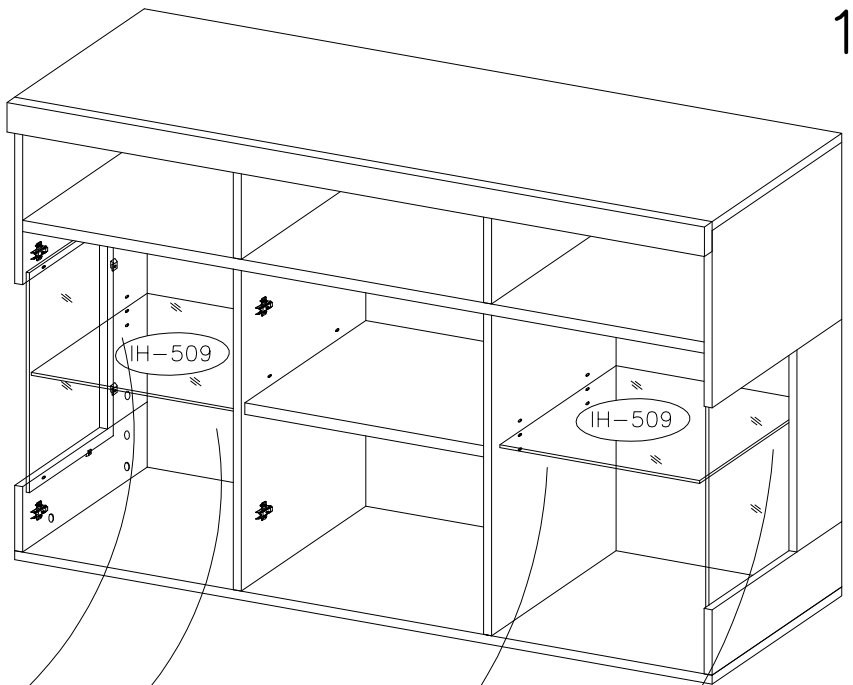
18





K

6

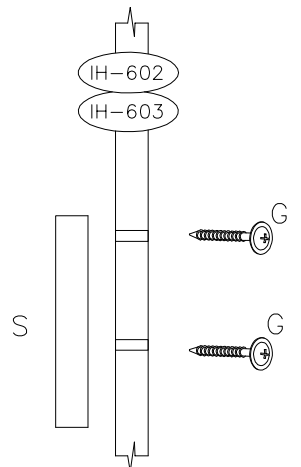
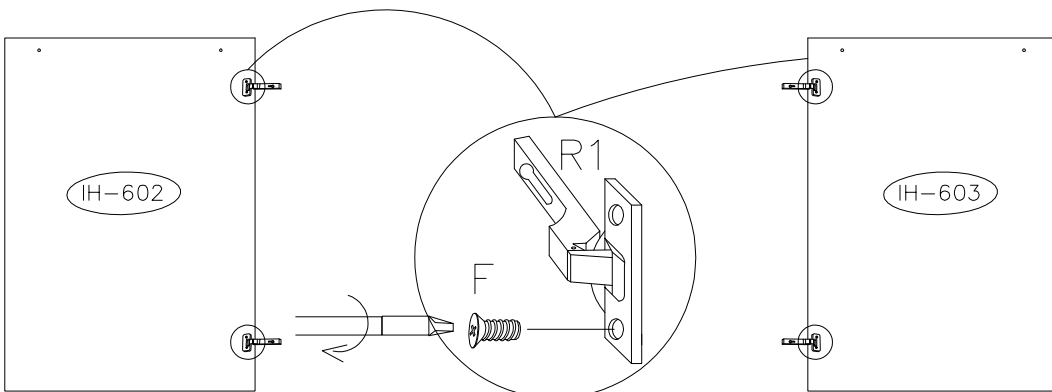




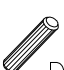
6.3x13  
F  
8

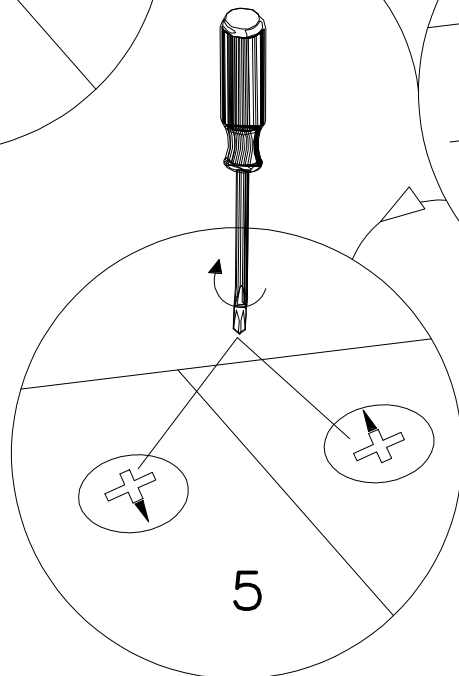
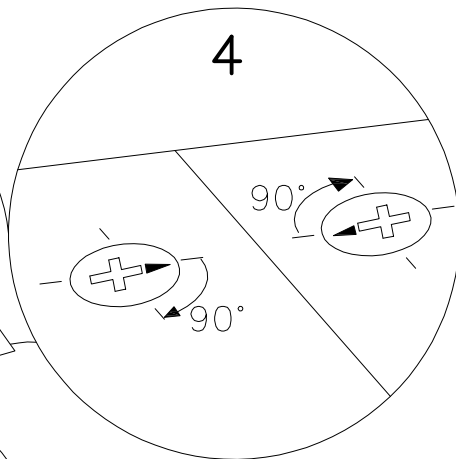
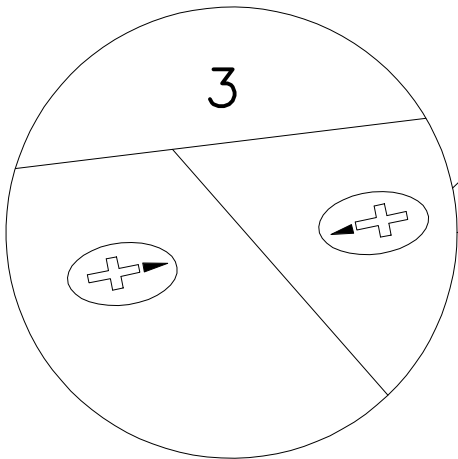
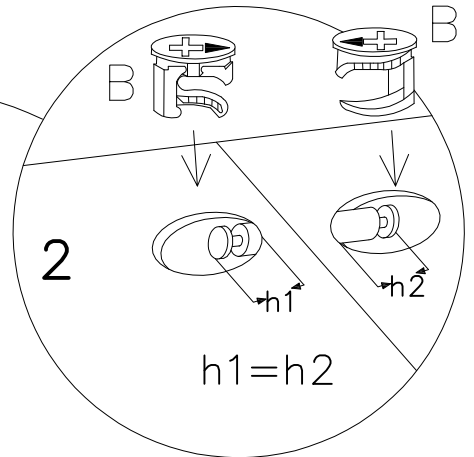
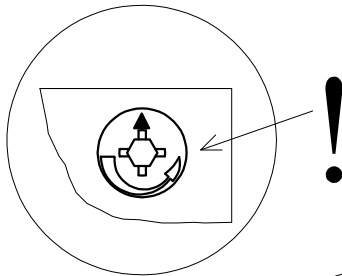
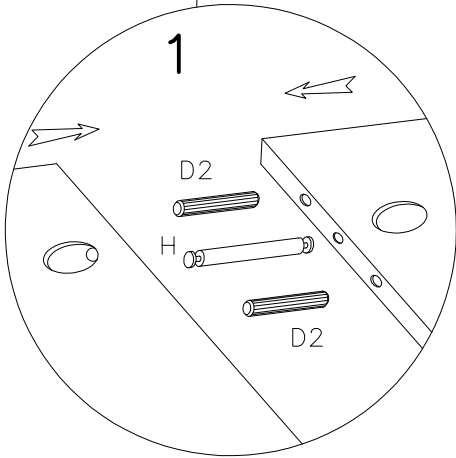
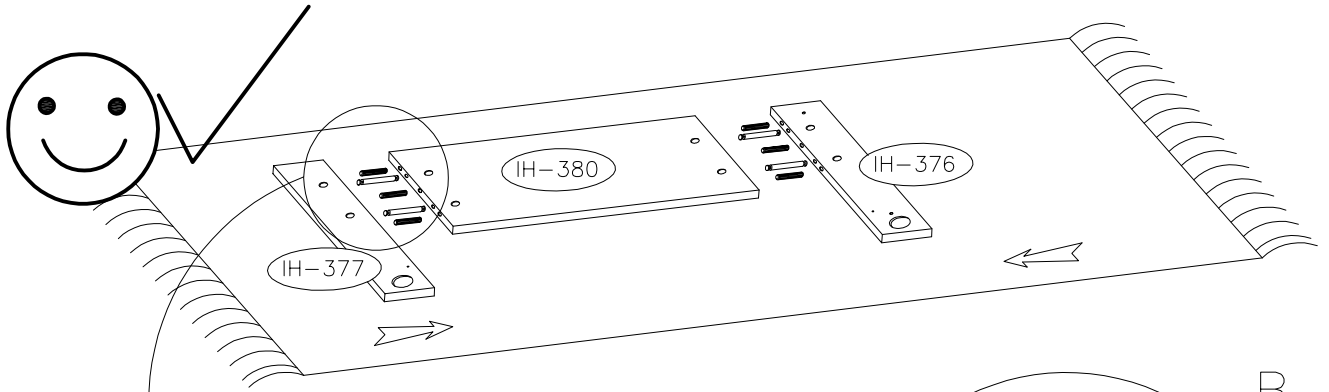
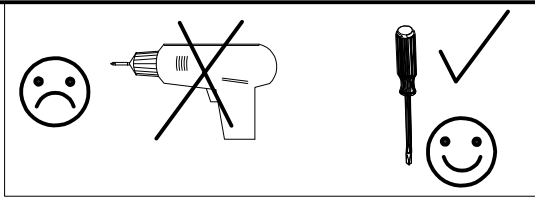
4.0x25  
G  
4




S  
2


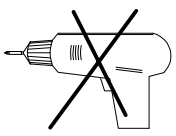
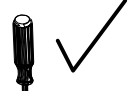

KR-8  
R1  
4



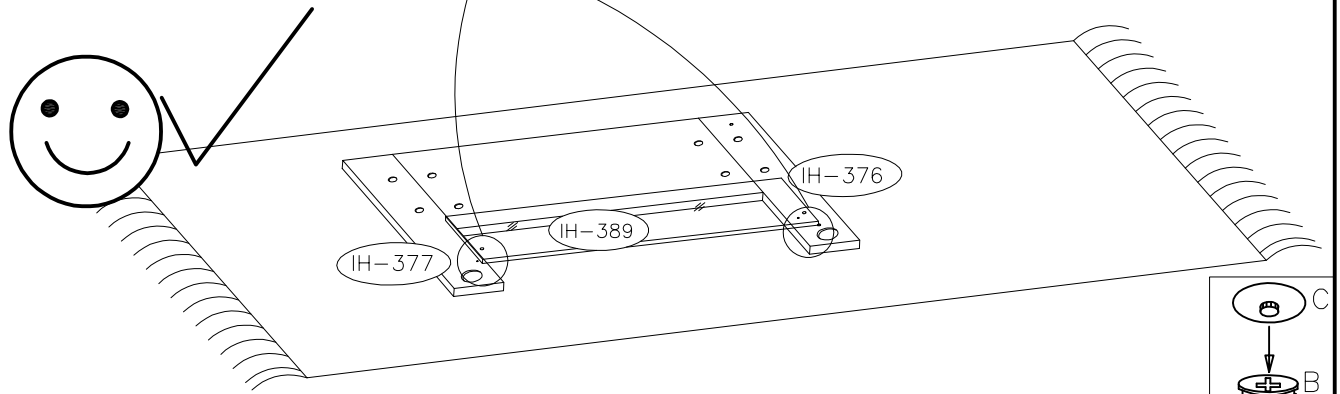
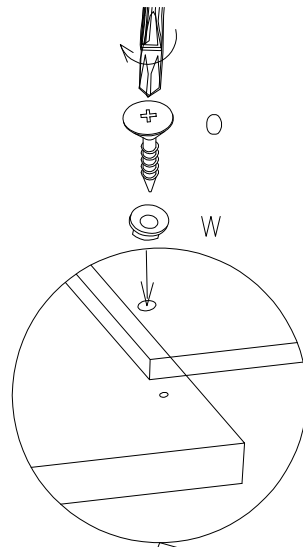
|                                                                                      |                                                                                       |                                                                                                  |
|--------------------------------------------------------------------------------------|---------------------------------------------------------------------------------------|--------------------------------------------------------------------------------------------------|
| <br>B | <br>H | <br>6.0x60<br>D2 |
| 8                                                                                    | 4                                                                                     | 6                                                                                                |

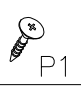
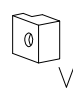



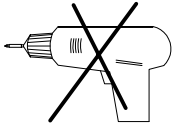
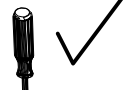

|                                                                                   |                                                                                              |                                                                                    |
|-----------------------------------------------------------------------------------|----------------------------------------------------------------------------------------------|------------------------------------------------------------------------------------|
|  C | 3.5x16<br> O |  W |
| 8                                                                                 | 2                                                                                            | 2                                                                                  |

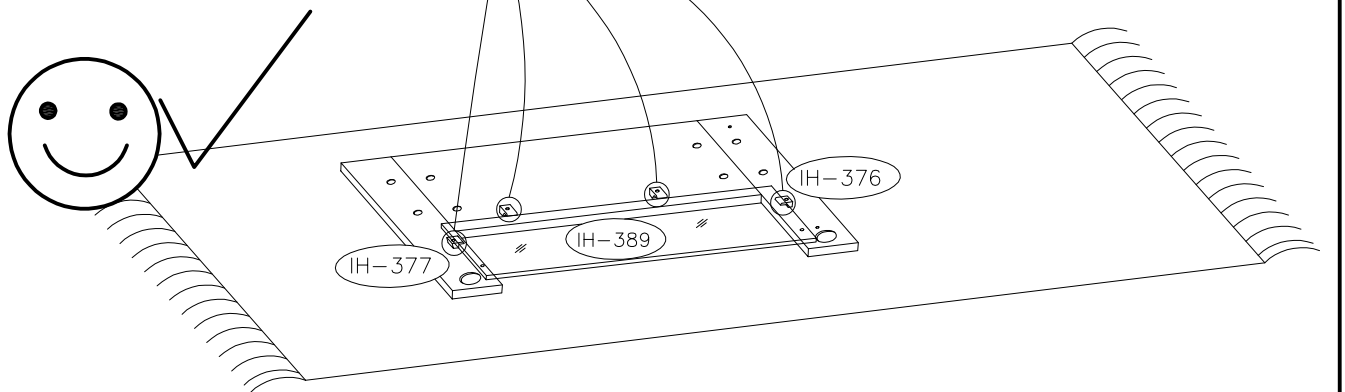
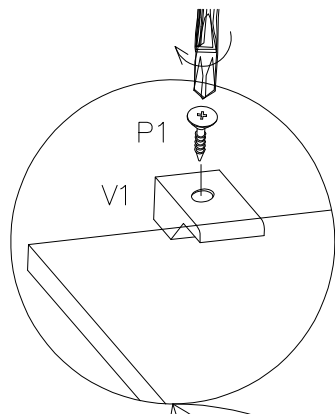
22


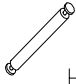



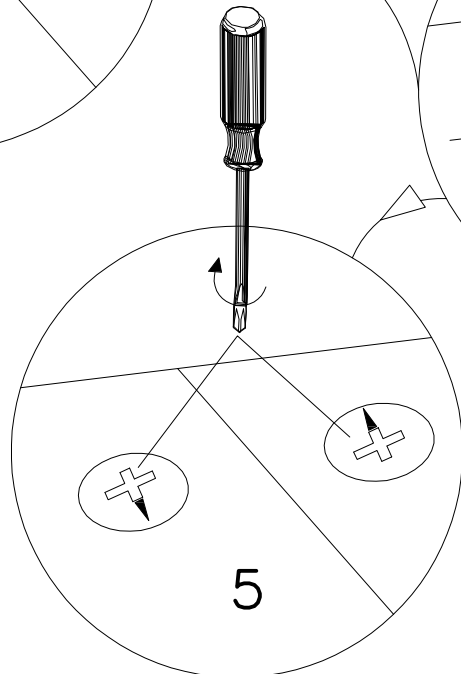
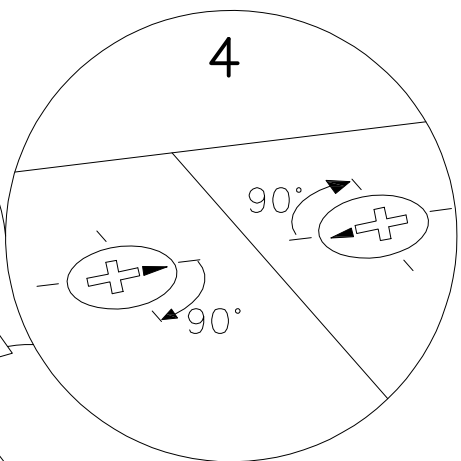
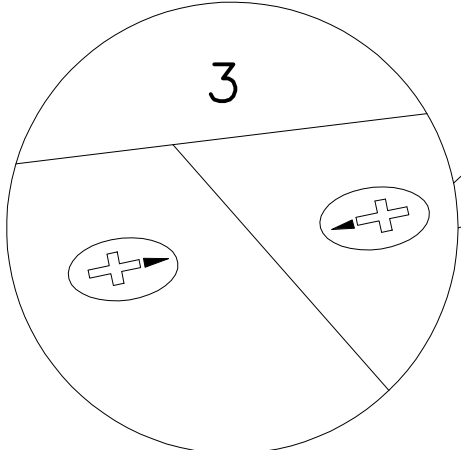
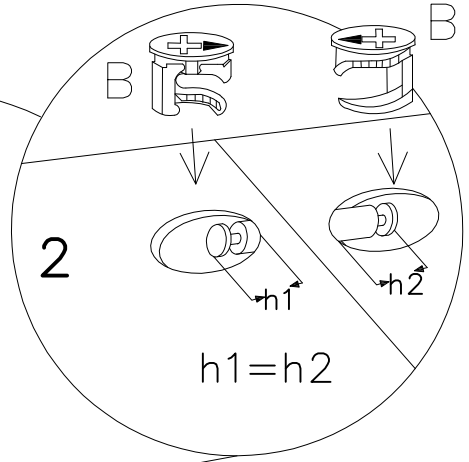
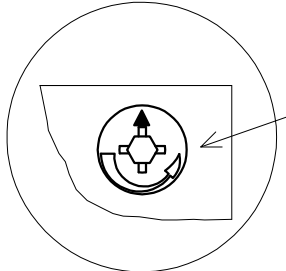
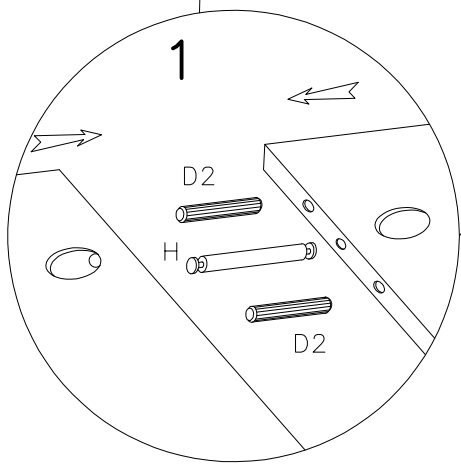
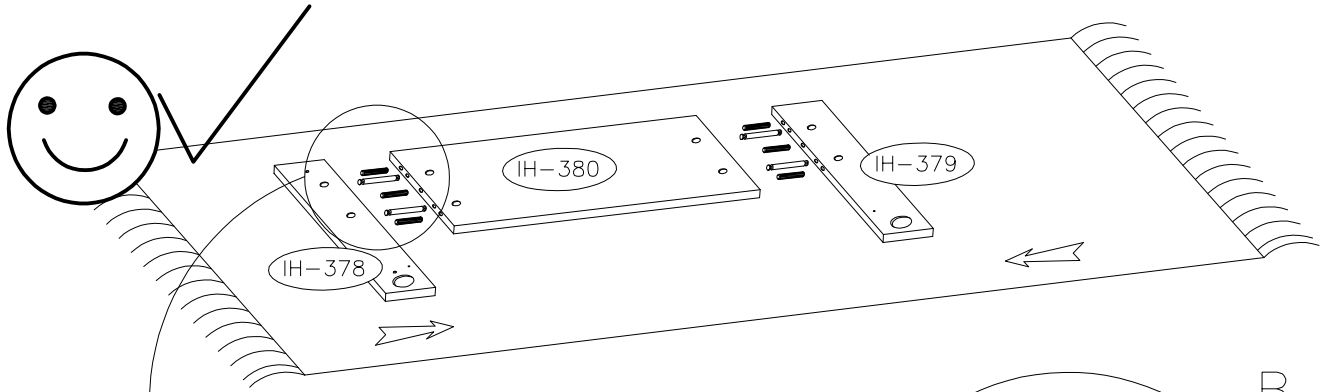
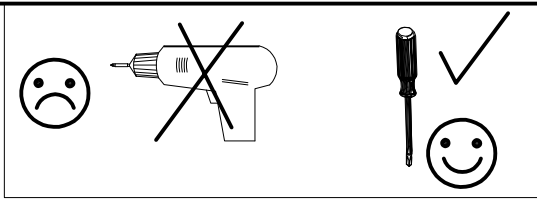
|                                                                                                 |                                                                                        |
|-------------------------------------------------------------------------------------------------|----------------------------------------------------------------------------------------|
| 3.0x15<br> P1 |  V1 |
| 4                                                                                               | 4                                                                                      |




23

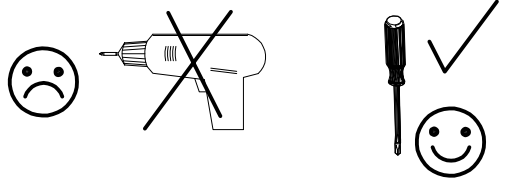


|                                                                                   |                                                                                    |                                                                                               |
|-----------------------------------------------------------------------------------|------------------------------------------------------------------------------------|-----------------------------------------------------------------------------------------------|
|  B |  H | 6.0x60<br> D2 |
| 8                                                                                 | 4                                                                                  | 6                                                                                             |

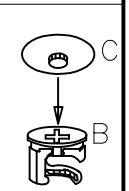
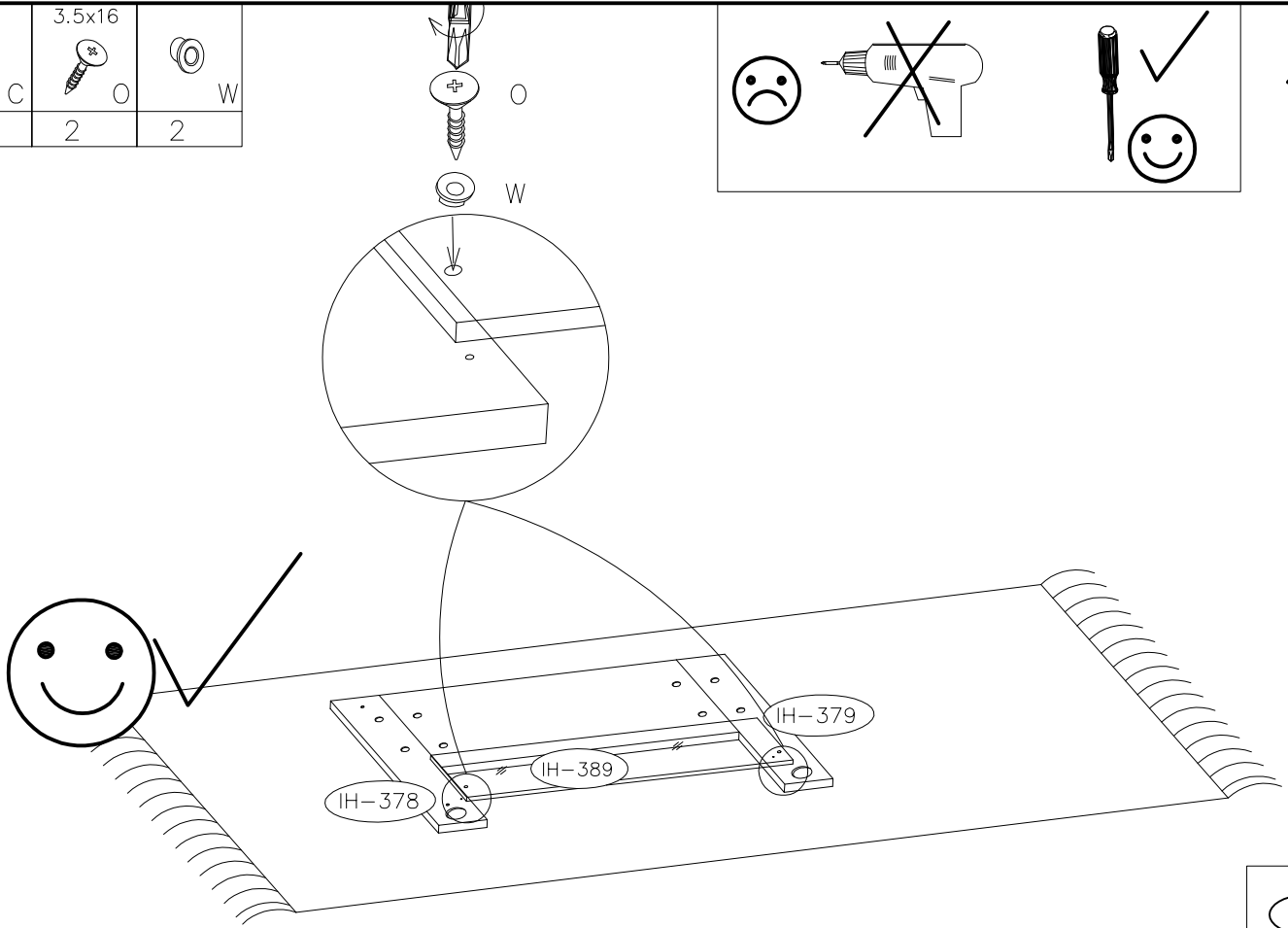



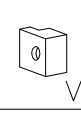


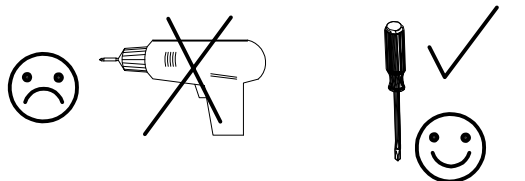
|                                                                                   |                                                                                              |                                                                                    |
|-----------------------------------------------------------------------------------|----------------------------------------------------------------------------------------------|------------------------------------------------------------------------------------|
|  C |  3.5x16<br>O |  W |
| 8                                                                                 | 2                                                                                            | 2                                                                                  |



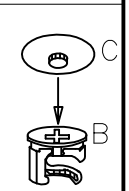
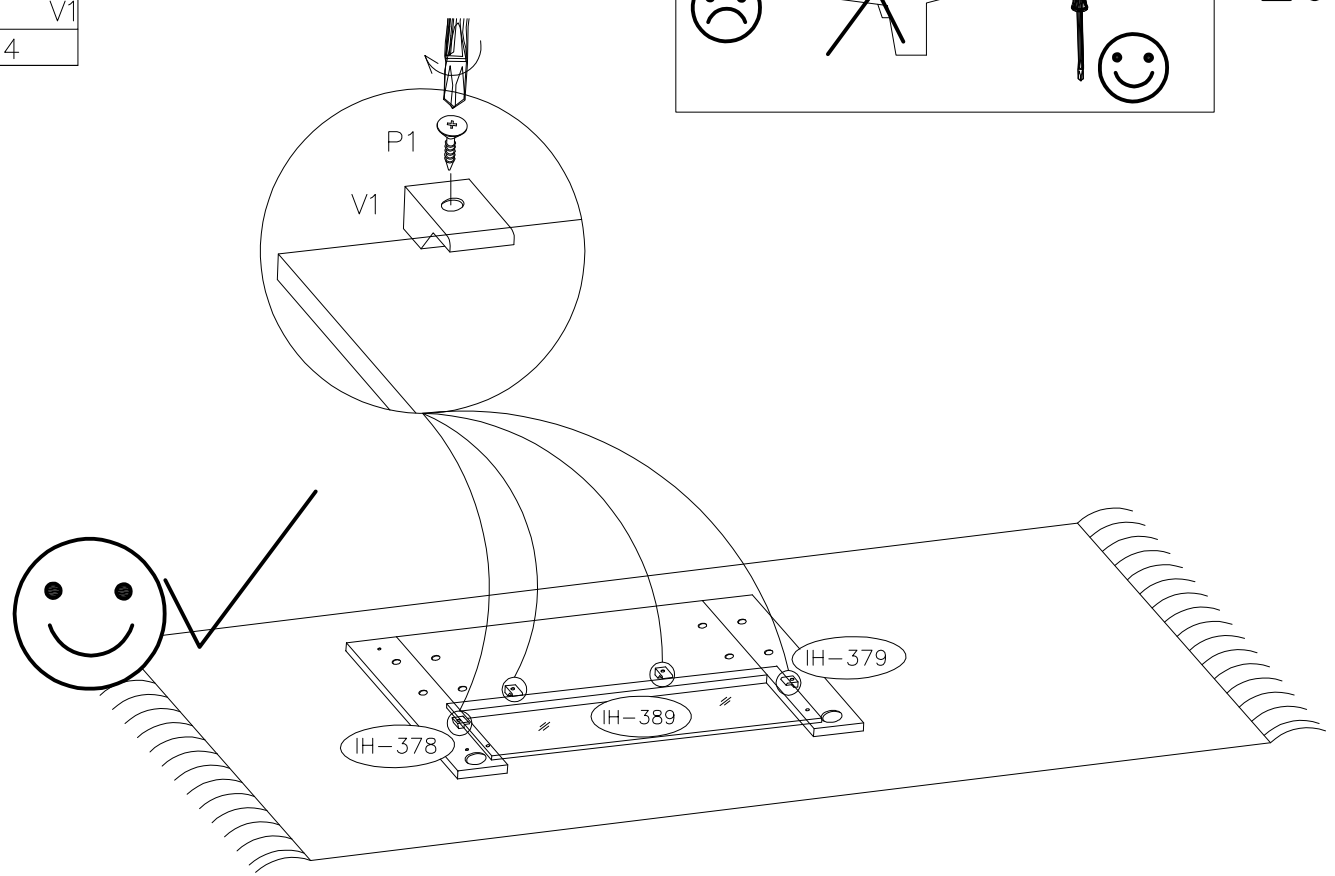
25



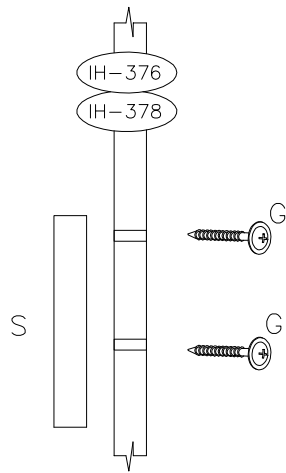
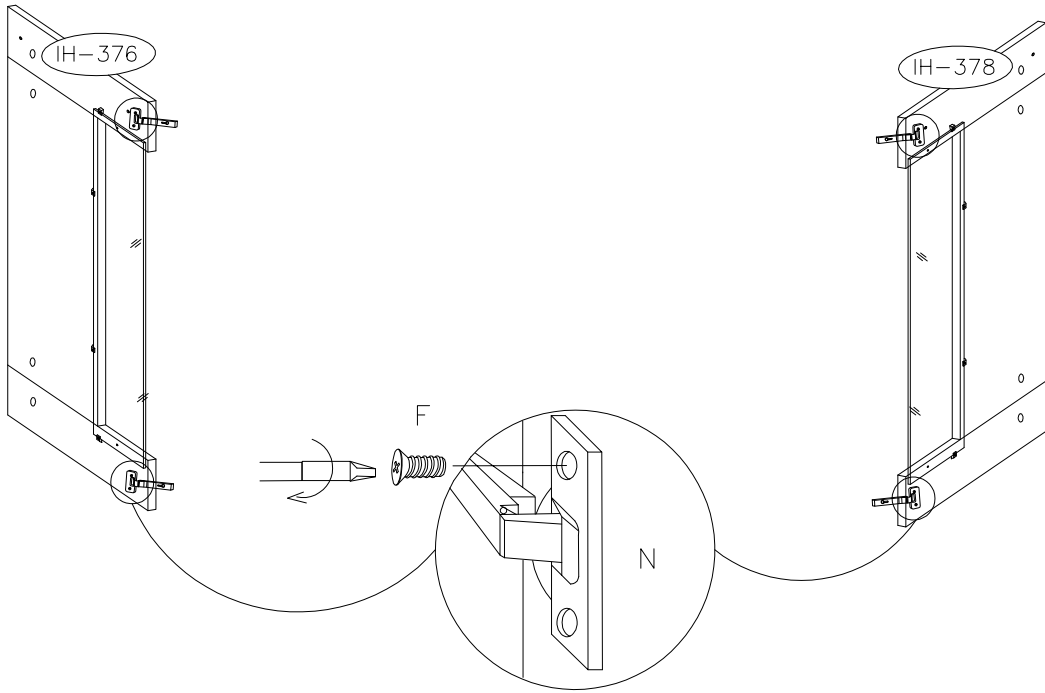
|                                                                                                 |                                                                                        |
|-------------------------------------------------------------------------------------------------|----------------------------------------------------------------------------------------|
|  3.0x15<br>P1 |  V1 |
| 4                                                                                               | 4                                                                                      |

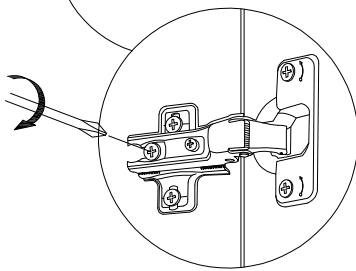
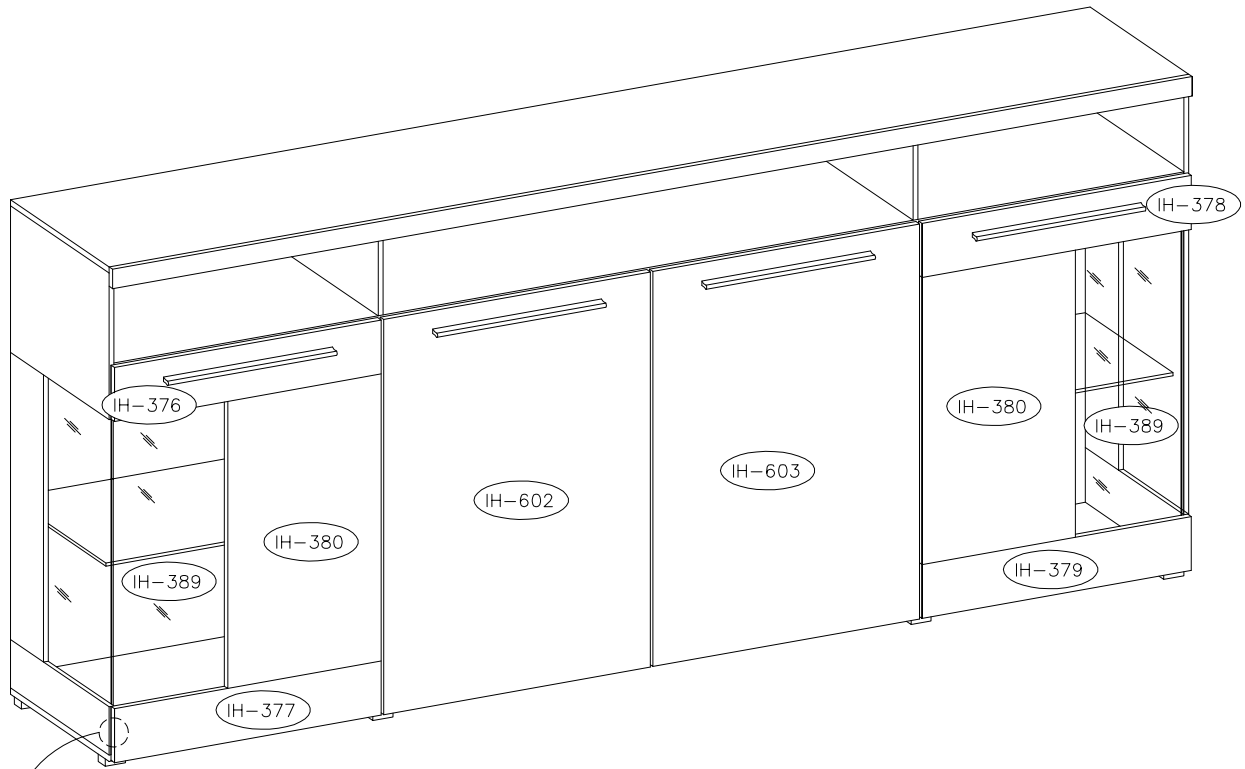


26

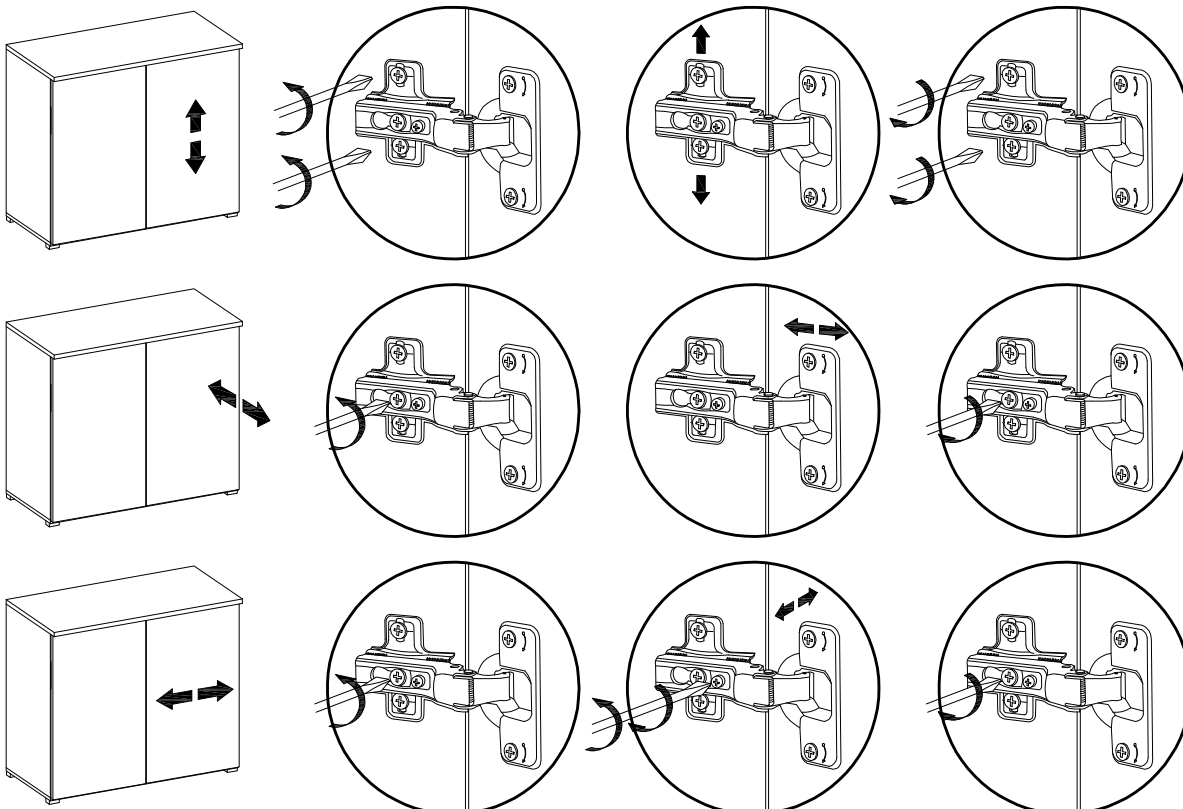


|             |             |   |           |
|-------------|-------------|---|-----------|
| 6.3x13<br>F | 4.0x25<br>G | S | KR-0<br>N |
| 8           | 4           | 2 | 4         |

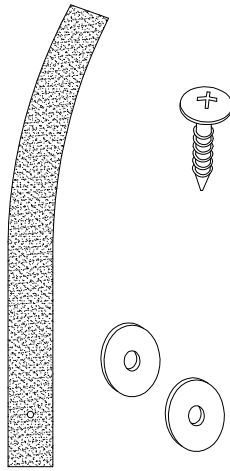




- (F) Mettre la porte (égaler les gonds)
- (I) Regolare la porta (livellare le parentesi)
- (D) Turen einstellen (Scharniere justieren)
- (GB) Adjusting the doors (adjusting the hinges)
- (NL) Deuren instellen (scharnieren afstellen)
- (PL) Nastawic drzwi (wyrownac zawiasy)
- (TR) Kapilarin ayarlanmasi (menteşelerin seviye ayari)
- (RU) Регулировка дверей (регулировка шарнира)
- (RO) Ajustați ușa (aliniati balamalele)
- (CZ) Seřid'te dveře (vyrovnejte závěsy)
- (SK) Zrad'te dvere (vyrovnajate závěsy)
- (HU) Állítsa be az ajtót (igazítsa be a zsanérokot)



1

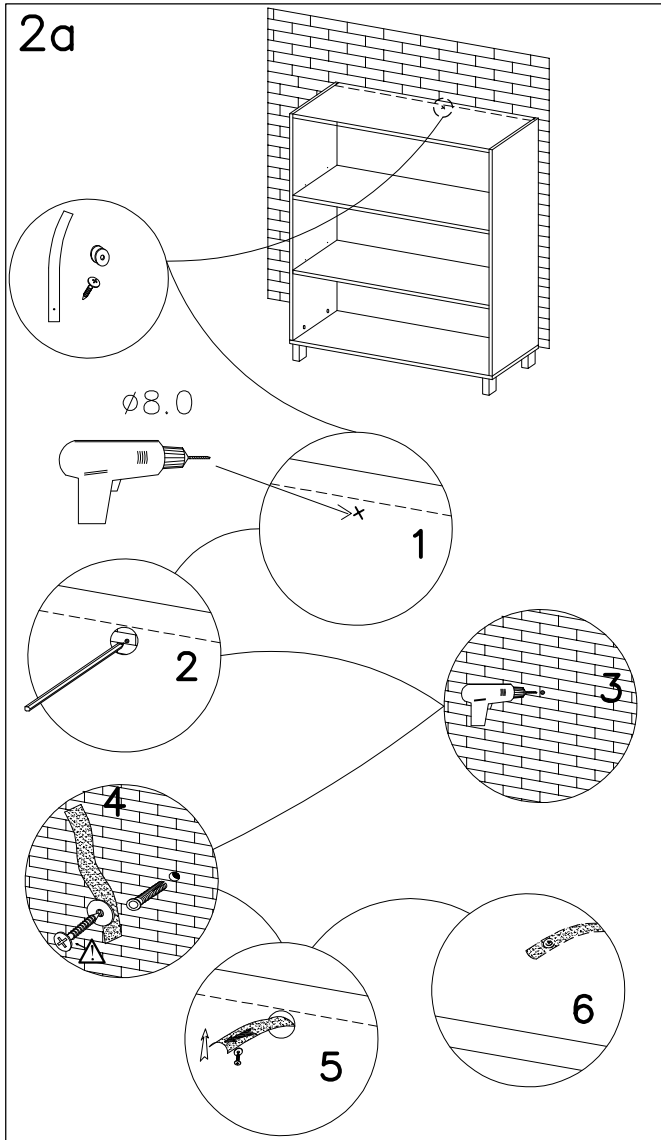


**Uwaga • Upozornini • Achtung • Attention • Caution • Figyelem  
Attenzione • Opgelet • Внимание • Atentie • Upozornenie • Dikkat**

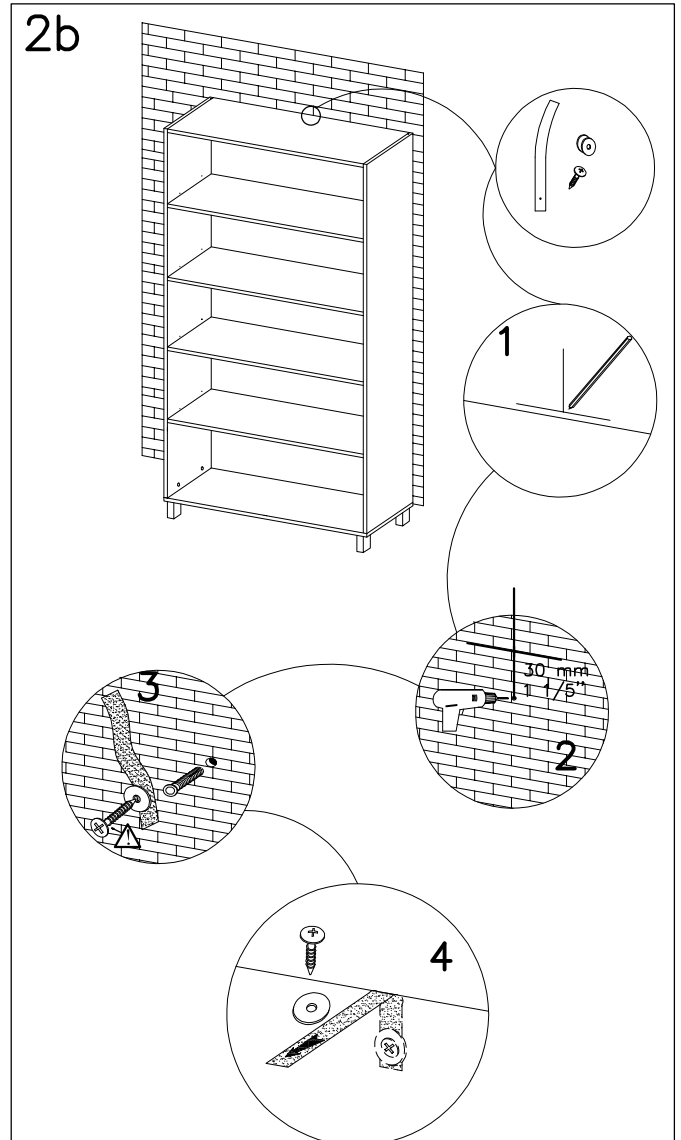


|    |                                                                                                                                                                                    |
|----|------------------------------------------------------------------------------------------------------------------------------------------------------------------------------------|
| PL | Mocowanie do ściany jest jednocześnie zabezpieczeniem przed przewróceniem - koniecznie zamontować!<br>Do niektórych rodzajów ścian koniecznie zastosować specjalne kolki mocujące. |
| CZ | Montáž na stěnu slouží jako ochrana proti převrnutí - bezpodmínečně umístěte!<br>U některých typů stěn může být zapotřebí speciální hmoždinka!                                     |
| D  | Wandbefestigung dient als Kippschutz - unbedingt anbringen!<br>Bei einigen Wandtypen kann ein Spezialdübel erforderlich sein!                                                      |
| GB | The wall fastening serves to prevent tipping - be absolutely sure to mount it!<br>For certain wall types, a special wall plug may be necessary!                                    |
| FR | La fixation murale sert de protection contre le basculement - à installer impérativement !<br>Pour certains types de murs il faut des chevilles spéciales !                        |
| NL | Bevestiging aan de muur dient als kantelbescherming - zeker en vast bevestigen!<br>Bij enkele muurtypes is een speciale plug misschien vereist!                                    |
| IT | Il fissaggio alla parete serve da protezione anti-ribaltamento - attaccarla assolutamente!<br>Per alcune strutture di parete può essere necessario un tassello speciale!           |
| HU | A termékét a falhoz kel rögzíteni, különben az felborulhat!<br>Egyes fal típusoknál speciális tiplőt kell használni!                                                               |
| RU | Обязательно установите крепление на стене во избежание опрокидывания!<br>Для некоторых типов стен может потребо- ваться специальный дюбель!                                        |
| RO | Sistemul de fixare la perete servește ca protecție la răsturnare - de montat obligatoriu!<br>Pentru unele tipuri de pereți este posibil să fie necesar un diblu special!           |
| SK | Upevnenie na stenu slúži ako ochrana proti prevráteniu - bezpodmienečne použite!<br>Pre niektoré druhy stien môže byť potrebná špeciálna hmoždinka!                                |
| TR | Duvardaki sabitleme, devrilmeye karşı bir emniyet tedbiridir ve mutlaka monte edilmelidir!<br>Bazı duvar tiplerinde bunun için özel bir dübel gerekli olabilir!                    |

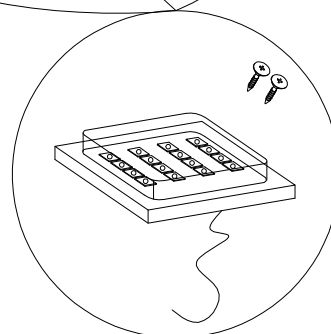
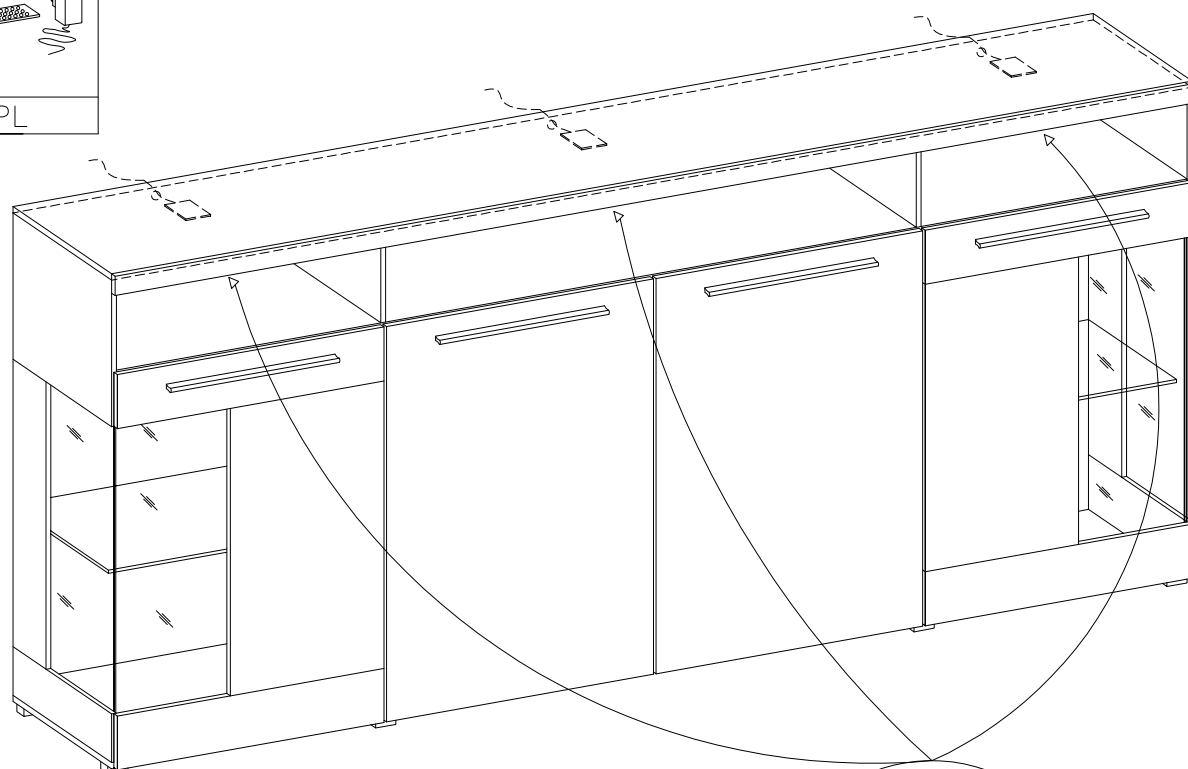
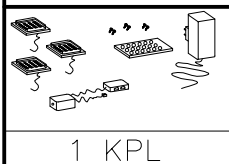
2a



2b



- (PL) **Uwaga: Punkty mocowania opcjonalnego oświetlenia**
- (CZ) Upozornění: body k připevnění doplňkového osvětlení
- (D) Hinweis: Befestigungspunkte für optionale Beleuchtung
- (GB) N.B.: Fixing points for optional lighting
- (F) Remarque: Points de fixation de l'éclairage optionnel
- (HU) Figyelem: Opcionális világítás rögzítési pontjai
- (I) NOTA: punti di fissaggio opzionale dell'illuminazione
- (NL) OPGELET: Optionele bevestigingspunten van de verlichting.
- (RU) ВНИМАНИЕ: Точки крепления дополнительного освещения
- (RO) Atenție: Punctele opționale de fixare a iluminatului
- (SK) Upozornenie: body k pripevnení dodatočného osvetlení
- (TR) Dikkat: Seçenekli aydınlatmanın yerleştirilmesinin noktaları



**DE Möbel aus Naturholz und Plattenwerkstoffen**  
**PL Meble z drewna naturalnego oraz płyt drewnopochodnych**  
**NL Meubelen van natuurhout en plaatmateriaal**  
**GB Furniture made from natural wood and panel materials**  
**IT Mobili in legno naturale e materiali pannellati**  
**FR Meuble en bois naturel et plaque en dérivé du bois**  
**TR Doğal ahşap ve kereste malzemelerden üretilmiş mobilya**  
**RU Мебель из натурального дерева, ДСП и ДВП**  
**RO Mobilă din lemn natural și materiale fibrolemnoase**  
**CZ Nábytek z přírodního dřeva a deskových materiálů**  
**SK Nábytok z prírodného dreva a drevovláknitých doskových materiálov**  
**HU Bútor természetes faanyagból és bútortalapokból**

## DE

**Liebe Kundin, lieber Kunde**, vielen Dank für Ihre Bestellung!

Gleichgültig, ob Sie ein aus Naturholz gefertigtes Möbelstück gekauft haben, eine Hochglanzfront oder eine matte. Kunststofffront – jedes Möbelstück hat seine ganz speziellen Eigenschaften. Auch Holzbeschaffenheit und -struktur, wie zum Beispiel kleinere Äste bei Naturholzmöbeln, sind Teil der individuellen Ausstrahlung jedes einzelnen Möbelstücks. Da Möbel aus Naturholz ständigen Klima- und Feuchtigkeitsschwankungen ausgesetzt sind, können vereinzelt Veränderungen in der Oberfläche auftreten wie z.B. Haarrisse oder Farbveränderungen. Generell nimmt im Laufe der Zeit die Helligkeit ab und die Farbsättigung zu – das Holz dunkelt nach. Die genannten Veränderungen sind bei einem Natur-Rohstoff wie Holz ein normaler Prozess. Dieses Büchlein soll Ihnen ein paar Tipps zur Pflege Ihres Möbelstücks geben, damit Sie lange Freude daran haben können.

**Grundsätzlich gilt:**

- Keine heißen Gegenstände auf die Möbel stellen.
- Keine Kerzen direkt auf die Möbel stellen.
- Verschüttete Flüssigkeiten sofort abwischen.
- In regelmäßigen Abständen den festen Sitz von Schrauben und Beschlägen kontrollieren.
- Der typische, aromatische Holzgeruch ist bei Naturholzmöbeln immer ein Qualitätsbeweis. Helle Stellen an den Ästen entstehen durch einen natürlichen Harzaustritt und können mit einem trockenen, fusselfreien Tuch abpoliert werden.
- Auch von anderen Holz-, Lack-, Leder- oder Polstermaterialien ist ein schwacher Eigengeruch am Anfang unvermeidbar. Diese Gerüche verschwinden nach einiger Zeit von allein. Wenn Sie dem nachhelfen wollen, lüften Sie in der Anfangszeit häufiger und/oder wischen Sie die Möbel leicht feucht mit Wasser aus, das mit ein wenig Essig versetzt ist.
- Bewahren Sie diese Hinweise gut auf.

**Pflegehinweise für gelaugte/geölte Möbel aus Naturholz**

Die Oberfläche Ihres neuen Möbelstücks ist mit rein biologischem Öl behandelt. Um diesen natürlichen, gelaugt/geölte Glanz zu bewahren, empfehlen wir eine gelegentliche Nachbehandlung mit geeignetem Möbelöl. Da durch die Art der Oberflächenbehandlung evtl. Rückstände des Naturöls zurückbleiben können, empfehlen wir Ihnen, die Möbel mit einem fusselfreien Tuch abzureiben. Das Tuch nach Gebrauch trocknen lassen und erst dann entsorgen.

**Pflegehinweise für naturbelassene/ gelackte Möbel aus Naturholz** Die Oberfläche lässt sich am besten mit einem mäßig feuchten Tuch säubern. **Achtung:** Ätzende oder lösungsmittelhaltige Reinigungsmittel oder Politur dürfen **nicht** verwendet werden.

**Pflegehinweise für Möbel aus Plattenwerkstoffen**

Verwenden Sie zur Pflege Ihres Möbels aus Plattenwerkstoffen am besten ein weiches, nicht fusselfreies Tuch oder ein Ledertuch. Wischen Sie die Oberflächen leicht feucht ab.

**Grundsätzlich gilt:** Verwenden Sie bitte **auf keinen Fall** folgende Reinigungs- und Putzmittel:

• **Microfasertücher** oder **Schmutzradierer**.

Diese enthalten häufig feine Schleifpartikel, die zu einem Zerkratzen der Oberflächen führen können;

• **scharfe chemische Substanzen** sowie **scheuernde Putz- oder Lösungsmittel**.

Diese können die Oberflächen ebenfalls beschädigen;

• **Scheuerpulver, Stahlwolle** oder **Topfkratzer**. Sie zerstören die Oberfläche so stark, dass eine Aufarbeitung nicht mehr möglich ist;

• **Staubsauger**. Düsen und Bürsten können die Oberflächen zerkratzen;

• **Dampfreiniger**. Durch den hohen Druck und die Hitze, mit denen der Wasserdampf auf die Oberflächen trifft, können diese beschädigt werden oder sich sogar vom Untergrund ablösen.

**Ihre Produktentwicklung**

## PL

**Droga Klientko, Drogi Kliencie**, Dziękujemy za zamówienie!

Niezależnie od tego, czy zakupiony przez Państwa mebel został wykonany z drewna litego, czy też posiada on front wykonany z płyty o wysokim połysku, lub też z płyty pokrytej matowym tworzywem sztucznym – każdy taki mebel ma swoje specjalne właściwości. Również właściwości i struktura drewna – jak np. niewielkie słoje w meblach z drewna naturalnego – nadają meblom indywidualnego charakteru. Ponieważ meble z drewna naturalnego są nieustannie wystawione na działanie wilgoci czynników atmosferycznych, mogą na ich powierzchni sporadycznie pojawiać się zmiany, jak np. odbarwienia czy rysy. Z biegiem czasu może zmienić się nasycenie koloru i drewno może ściemnieć.

Wspomniane zmiany zachodzące w wyglądzie produktów wykonanych z surowców naturalnych są zupełnie normalne. Niniejsza instrukcja zawiera cenne wskazówki dotyczące pielęgnacji mebli, aby jak najdłużej mogli Państwo cieszyć się z ich nienagannego wyglądu.

**Podstawowe zasady:**

- Nie stawiać na meblach gorących przedmiotów.
- Nie stawiać świeczek bezpośrednio na meblach.
- W przypadku rozlania wody natychmiast ją wytrzeć.
- Sprawdzać w regularnych odstępach czasu, czy śruby są dokręcone, a okucia dobrze przymocowane.
- Charakterystyczny, aromatyczny zapach drewna występujący w przypadku mebli wykonanych z drewna naturalnego jest oznaką wysokiej jakości produktu.
- Jasne miejsca na słojach powstają z powodu występowania żywicy – można je wypolerować suchą, nie pozostawiającą śladów szmatką.
- W przypadku materiałów wykonanych z innego rodzaju drewna lub skóry, produktów polakierowanych lub z obiciami, na początku również występuje charakterystyczny zapach „nowości”. Zapach ten znika po pewnym czasie użytkowania produktu. Jeśli chcieliby Państwo pozbyć się tego zapachu szybciej, zalecamy wietrzyć często pomieszczenia i/lub przetrzeć meble szmatką delikatnie zwilżoną w wodzie z niewielką ilością octu.
- Prosimy zachować niniejsze wskazówki w bezpiecznym miejscu.

**Wskazówki dotyczące pielęgnacji lugowanych/olejowanych mebli z drewna naturalnego**

Powierzchnia zakupionego mebla została zabezpieczona czystym biologicznym olejem. Aby zachować naturalny połysk powierzchni, zalecamy co pewien czas nacierać ją olejem do pielęgnacji mebli. Po zabezpieczeniu powierzchni olejem zalecamy wytrzeć ją nie pozostawiającą śladów szmatką. Ściereczka po użyciu powinna wyschnąć, następnie można ją wyrzucić.

#### **Wskazówki dotyczące pielęgnacji mebli z surowego/bejcowanego drewna naturalnego**

Powierzchnię mebli najlepiej jest czyścić wilgotną ściereczką. **Uwaga:** Nie używać żrących środków czyszczących ani rozpuszczalników.

#### **Wskazówki dotyczące pielęgnacji mebli z płyt drewnopochodnych**

Do pielęgnacji mebli najlepiej używać miękkiej, nie pozostawiającej śladów szmatki. Powierzchnię należy przetrzeć lekko zwilżoną szmatką.

**Podstawowe zasady: Nigdy nie należy stosować poniższych środków/urządzeń czyszczących:**

- **ścieretek z mikrofazy** ani **gąbek do usuwania brudu**. Często zawierają drobinki ściernie, które mogą porysować powierzchnię;
- **ostrych substancji chemicznych** np. **środków szorujących lub rozpuszczalników**.

Mogą one uszkodzić powierzchnię;

- **proszków czyszczących, waty stalowej** ani **ostrych myjek**. Mogą one na stałe uszkodzić powierzchnię;
- **odkurzacza**. Szczotka odkurzacza może porysować powierzchnię;
- **myjek parowych**. Wysokie ciśnienie i wilgoć mogą uszkodzić powierzchnię oraz spowodować rozklejenie materiału.

#### **Dział Rozwoju Produktu**

## NL

#### **Beste klant,**

Hartelijk dank voor uw bestelling!

Het maakt niet uit of u een meubelstuk van natuurhout, een hoogglanzende voorkant of een matte plastic voorkant hebt gekocht – elk meubelstuk heeft zijn heel bijzondere eigenschappen. Ook de staat en structuur van het hout zoals kleinere takken bij natuurhouten meubelen maken deel uit van de individuele look van elk afzonderlijk meubelstuk. Omdat meubelen van natuurhout zijn blootgesteld aan permanente klimaaten vochtigheidsverschillen, kunnen er af en toe wijzigingen optreden van de bovenlaag zoals haarscheurtjes of kleurveranderingen. In het algemeen neemt na verloop van tijd de helderheid af en de kleurverzadiging toe – het hout wordt donkerder. De genoemde wijzigingen vormen bij een natuurlijke grondstof zoals hout een normaal proces. Dit boekje moet u een paar tips geven over het onderhoud van uw meubelstuk, zodat u er lange tijd plezier aan kunt beleven. In principe geldt:

- Plaats geen hete voorwerpen op de meubelen.
- Plaats geen kaarsen direct op de meubelen.
- Veeg gemorste vloeistoffen direct af.
- Controleer met regelmatige intervallen het stevige houvast van schroeven en beslag.
- De typische, aromatische houtgeur is steeds een kwaliteitsbewijs bij natuurhouten meubelen.
- Heldere plaatsen aan de takken ontstaan door een natuurlijk uitreden van hars en kunnen worden weggepolijst met een droge, pluisjesvrije doek.
- Ook van andere houten, gelakte, lederen of gestoffeerde materialen is een zwakke eigen reuk bij het Begin niet te vermijden. Deze geuren verdwijnen na enige tijd vanzelf. Als u wilt dat het sneller gaat, verlucht u in het begin vaker en/of veegt de meubelen lichtjes vochtig af met water, dat een beetje is aangelengd met azijn.
- Bewaar deze instructies goed.

#### **Onderhoudsinstructies voor gelooide/ geoliede meubelen van natuurhout**

De bovenlaag van uw nieuw meubelstuk is behandeld met puur biologische olie. Om deze natuurlijke, gelooide/ geoliede glans te bewaren, raden we u aan het meubel af en toe verder te behandelen met een geschikte meubelolie. Omdat door de soort oppervlaktebehandeling eventuele resten van natuurolie kunnen achterblijven, raden we u aan de meubelen af te wrijven met een pluisjesvrije doek. De doek na gebruik laten drogen en eerst dan wegwerpen.

#### **Onderhoudsinstructies voor natuurlijke/ gelakte meubelen van natuurhout**

De bovenlaag kan het best met een matig vochtige doek worden gereinigd. **Opgelet:** Bijtende of oplosmiddelhoudende reinigingsmiddelen of politoer mogen **niet** worden gebruikt.

**Onderhoudsinstructies voor meubelen van plaatmateriaal** Gebruik voor de reiniging van uw meubel van plaatmateriaal het best een zachte, niet pluizige doek of een leren doek. Veeg de oppervlakten ietwat vochtig af. **In principe geldt:** Gebruik **zeker niet** volgende reinigings- en poetsmiddelen:

- **microvezeldoeken** of **vuilgommen**. Deze bevatten vaak fijne slijpdeeltjes die kunnen leiden tot krassen op de oppervlakken;
- **scherpe chemische substanties** zoals **schurende poets- of oplosmiddelen**. Deze kunnen de oppervlakken eveneens beschadigen;
- **schuurpoeder, staalwol** of **pannensponzen**. Ze vernielen het oppervlak zo erg dat een reparatie niet meer mogelijk is;
- **stofzuiger**. Mondstukken en borstels kunnen krassen op de oppervlakken veroorzaken;
- **stoomreiniger**. Door de hoge druk en de hitte, waarmee de stoom op de bovenlagen komt, kunnen deze worden beschadigd of zelfs loskomen van de ondergrond.

#### **De productontwikkelingsafdeling**

## GB

**Dear customer,** Thank you for your order!

No matter if you bought a piece of furniture made from natural wood, a high-gloss front or a plastic front – every piece of furniture has unique characteristics. Even the texture and structure of wood, such as small knots in natural wood furniture, are part of the individual charisma of each piece of furniture. Since natural wood furniture are permanently exposed to climate and humidity fluctuations, changes to the Surface may occur (e.g. hair cracks or changes in colour) in some cases. In general, brightness decreases and colour saturation increases in the course of time – the wood darkens. The changes mentioned above are normal for natural raw materials such as wood. This booklet provides some care tips for your piece of furniture so that you can enjoy it for a long time.

#### **The following applies in general:**

- Don't place any hot objects on the furniture.
- Don't place candles directly on the furniture.
- Immediately wipe off any spilled liquids.
- Regularly check if the screws and fittings are tight.
- The typical, aromatic wooden odour is always a proof of quality for natural wood furniture.
- The natural emission of resin may produce bright spots on the knots which can be polished with a dry, lintfree cloth.
- Initially, a slight intrinsic odour is unavoidable for other wooden, paint, leather or upholstery materials too. These odours automatically disappear after a while. If you want to speed up this process, ventilate more often at the beginning and/or wipe out the furniture with a slightly damp cloth which was soaked in water mixed with a small amount of vinegar.
- Keep these notes in a safe place.

#### **Care notes for stripped/oiled furniture made of natural wood**

The surface of your new piece of furniture has been treated with pure organic oil. We recommend an occasional after treatment with suitable furniture oil to preserve this natural, stripped/oil gloss. Since some residue of natural oil may remain on the furniture due to the Surface treatment method, we recommend to rub off the furniture with a lint-free cloth. After use, let the cloth dry completely before disposal.

**Care notes for untreated/painted furniture made of natural wood** Using a moderately damp cloth is the most suitable method for cleaning the surface. **Attention:** Corrosive cleaners as well as cleaners containing solvents or polish must **not** be used.

**Care notes for furniture made of panel materials** We recommend using a soft, lint-free cloth or a shabby for conditioning your piece of furniture made of panel materials. Wipe off the surfaces with a slightly damp cloth or shabby. **The following applies in general:** Please don't use the following detergents or cleaning agents **at all:**

- **microfibre cloths** or **dirt erasers**. They often contain fine abrasive particles which can cause scratches on the surfaces;
- **aggressive chemical substances** as well as **abrasive cleaning agents or solvents**. They may damage the surfaces too;

- **scouring powder, steel wool or scouring pads.** They destroy the surface so badly that reconditioning is impossible;
  - **vacuum cleaners.** The nozzles and brushes can cause scratches on the surfaces;
  - **steam cleaners.** The surfaces may be damaged or separated from the ground due to the high pressure and heat of the water vapour.
- Your product development team**

## IT

**Gentili clienti,** sentiti ringraziamenti per il vostro ordine!

A prescindere che abbiate scelto un mobile realizzato in legno naturale, un fronte lucido o un fronte di materiale plastico opaco – ogni esemplare la sue particolarità. Anche le caratteristiche e la struttura del legno, quali ad esempio rami minori nei mobili di legno naturale, sono parte del fascino individuale di ogni singolo mobile. Dato che i mobili in legno naturale sono esposti al continuo variare del clima e dell'umidità, è probabile che in superficie insorgano mutamenti quali crepe capillari o cambiamenti di colore. Generalmente con passar del tempo diminuisce la chiarezza e aumenta la saturazione del colore – il legno si scurisce. I citati mutamenti sono un normale processo dei materiali naturali, quali appunto il legno. Il presente libretto intende darvi alcuni suggerimenti sulla cura del vostro mobile, affinché vi procuri lunghe soddisfazioni.

**Sostanzialmente vale:**

- Non poggiare oggetti roventi sui mobili.
- Non poggiare candele a diretto contatto dei mobili.
- Asciugare subito i liquidi sversati.
- Ad intervalli periodici controllare se viti e cerniere sono salde.
- Il caratteristico odore fragrante è sempre una prova di qualità dei mobili in legno naturale.
- Le macchie chiare sui rami si formano per via della naturale fuoriuscita di resina, e sono levigabili con un panno asciutto che non lascia peli.
- Anche trattandosi di altri materiali lignei, di vernice, pelle o imbottiti, all'inizio è inevitabile un leggero odore caratteristico. Dopo qualche tempo però, questi odori svaniscono da sé. Potete aiutare a farli volatilizzare in minor tempo cambiando più spesso aria all'inizio e/o passando sui mobili un panno umido d'acqua con qualche goccia d'aceto.
- Conservare bene le presenti istruzioni. **Istruzioni sulla cura dei mobili in legno naturale lisciviato/oliato** La superficie di questo vostro nuovo mobile è trattata con olio puramente biologico. Per mantenere la naturale lucentezza lisciviata/oliata, vi consigliamo di ripetere il trattamento con un adeguato olio per mobili. Dato che per via del trattamento superficiale possono eventualmente residuarsi tracce di prodotto, vi consigliamo di strofinare i mobili con un panno che non lascia peli. Fate asciugare il panno usato prima di smaltirlo.

**Istruzioni sulla cura dei mobili in legno naturale non trattato/verniciato** Il modo migliore di pulire la superficie è usare un panno moderatamente umido. **Attenzione:** Non utilizzare lucidi per mobili oppure detergenti abrasivi o a base di solventi.

**Istruzioni sulla cura dei mobili in materiali pannellati** Per la cura dei mobili in materiali pannellati si consiglia di usare un panno morbido, che non lascia peli, o un panno di pelle. Passare il panno leggermente umido sulle superfici. **Sostanzialmente vale: In nessun caso** utilizzare i seguenti detergenti e prodotti per la pulizia:

- **panni in microfibra o spugne a tampone.** Questi prodotti contengono spesso fini particelle abrasive, che possono provocare sgraffiature sui mobili;
- **forti sostanze chimiche** nonché **detergenti o solventi abrasivi.** Anche questi prodotti possono aggredire le superfici.
- **polvere abrasiva, paglietta d'acciaio o spugne abrasive.** Rovinerebbero la superficie in modo tale che non sarebbe più possibile ripararle;
- **aspirapolvere.** Bocchette e spazzole possono sgraffiare le superfici;
- **pulitrice a vapore.** Per via dell'elevata pressione e calore con cui il vapore colpisce le superfici, esse rischiano di deteriorarsi o addirittura staccarsi dalla sottostruttura.

**Area Sviluppo prodotti**

## FR

**Chère cliente, cher client,** Merci pour votre commande !

Peu importe que vous ayez acheté un meuble fabriqué en bois naturel, un face haute brillance ou une face en plastique mat – chaque meuble a ses propriétés spécifiques. Même les propriétés et la structure du bois, comme par exemple les petits noeuds sur des meubles en bois naturel, font partie de l'aspect de chaque meuble. Comme le meuble en bois naturel est soumis aux variations permanentes du climat et de l'humidité, il se peut que quelques modifications surviennent sur la surface, comme par exemple de fines fissures ou des décolorations. En règle générale, au cours du temps, la clarté du bois diminue et son intensité de couleur augmente – le bois devient foncé. Les modifications susnommées sont un processus normal des matières naturelles comme le bois. Ce petit livret vous donne quelques astuces sur l'entretien de votre meuble pour que vous puissiez en profiter longtemps.

**En règle générale :**

- Ne pas poser d'objets chauds sur le meuble.
- Ne pas poser de bougies directement sur le meuble.
- Essuyer immédiatement les liquides renversés.
- À intervalles réguliers, contrôler que les vis et les ferrures sont bien en place.
- L'odeur aromatique typique du bois est toujours une preuve de qualité des meubles en bois naturel.
- Les endroits clairs sur les noeuds se produisent par une sécrétion naturelle de résine qui s'élimine avec un chiffon sec non pelucheux.
- Les autres matériaux comme le bois, la peinture, le cuir ou le rembourrage dégagent inévitablement une légère odeur. Ces odeurs disparaissent d'elles-mêmes avec le temps. Si vous souhaitez qu'elles disparaissent plus vite, au début, aérez plus souvent et essuyez les meubles avec un chiffon légèrement imbibé d'eau mélangée avec un peu de vinaigre.
- Conservez bien cette notice.

**Instructions de soin pour les meubles lessivés/huilés en bois naturel** La surface de votre nouveau meuble est traitée avec de l'huile purement biologique. Pour conserver le brillant de ce meuble lessivé/huilé, nous recommandons de faire un traitement occasionnel avec de l'huile à meuble. Comme le type de traitement de Surface peut éventuellement laisser des résidus d'huile naturelle, nous vous recommandons de frotter le meuble avec un chiffon non pelucheux. Après l'utilisation, laissez sécher le chiffon et ensuite le jeter.

**Instructions de soin pour les meubles naturels/peints en bois naturel** La surface se nettoie de préférence avec un chiffon légèrement humide. **Attention :** Les détergent agressifs ou à teneur en solvant ou les produits de polissage **ne doivent pas** être utilisés.

**Consignes de soin pour les meubles avec des plaques en dérivé du bois** Pour l'entretien de votre meuble en plaques en dérivé du bois, utilisez de préférence un chiffon doux non pelucheux ou une peau de chamois. Essuyez la surface légèrement humide. **En règle générale :** Veuillez n'utiliser **en aucun cas** les détergents suivants :

- **Chiffons à microfibres ou gomme à saleté.** Ils contiennent souvent de fine particules abrasives qui peuvent rayer les surfaces ;
- **substances chimiques agressives** ainsi que **des détergents abrasifs.** Ceux-ci peuvent également endommager les surfaces ;
- **poudre à récurer, paille de fer ou éponge grattant.** Elles détruisent la surface si profondément qu'il n'est plus possible de la retraiter ;
- **aspirateur.** Les buses et les brosses peuvent rayer la surface ;
- **nettoyeur à vapeur.** De fait de la haute pression et de la chaleur avec lesquelles la vapeur d'eau sort sur la surface, elles peuvent être endommagées et même décoller la base.

**Votre service de développement de produits**

## TR

**Sevgili Müşterimiz,** Siparişiniz için çok teşekkür ederiz!

Doğal ahşap malzemeden yapılmış bir mobilya aldığınızda, parlak veya mat plastik kaplama da olsa – her mobilya parçasının kendine özgü özellikleri vardır. Ayrıca, doğal ahşap mobilyaların küçük parçaları gibi ahşap dokusu ve yapısı, mobilyanın her ayrı parçasının ayrı çekiciliğinin bir parçasıdır. Mobilya, doğal ahşabın kalıcı hava ve nem dalgalanmalarına maruz kaldığında, nadir de olsa çatlak veya renk atması gibi yüzey değişiklikleri meydana gelmektedir. Genellikle parlaklık ve ahşabın koyu rengini sağlayan renk doyumu zaman içinde azalır. Bu değişiklikler ahşap gibi doğal hammaddelerde normal bir süreçtir. Bu kitapçık, mobilyanızı uzun yıllar kullanmak için bir bakım ipuçları verecektir.

**Temel olarak:**

- Mobilyanın üzerine sıcak nesnelere koymayın.



- Mumları mobilyanın üzerine dođrudan koymayın.
- Dökülen sıvıları derhal bezle silin.
- Vidaların ve bađlantı elemanlarının sıkı olup olmadıklarını periyodik olarak kontrol edin.
- Dođal ađşap mobilyada ađşabın tipik, aromatik kokusu her zaman kalitesinin bir kanıtıdır.
- Dođal ređeneden kaynaklanan parlak noktalar, kuru, tiftiksiz bir bez ile parlatılabilir.
- Ayrıca diđer ađşap, lake, deri veya döşemelik kumaş malzemeler bařlangıçta giderilemeyen hafif bir koku bı rakabilir. Bu kokular bir zaman sonra kendiliđinden kaybolacaktır. Bu süreci hızlandırmak isterseniz, bařlangıçta ortamı daha sık havalandırın ve/veya mobilyayı biraz sirke kattığınız su ile ıslattığınız bir bez ile silin.
- Bu talimatları dikkatlice izleyin.

**Yıkandıř/yađlanmıř dođal ađşap mobilyanın bakımı** Yeni mobilyanızın yüzeyi, saf organik yađ ile iřlenmiřtir. Bu dođal, yıkanıř/ yađlanmıř parlaklıđı korumak için, arada sırada uygun bir mobilya yađı uygulamanızı öneririz. Muhtemelen yüzey iřlemi nedeniyle, dođal yađ, mobilya üzerinde iz bırakabilir, bu durumda tiftiksiz bir bez ile bu yađı silmenizi öneririz. Bezi kullandıktan sonra ve atmadan önce kurumaya bırakın.

#### **Dođal ađşaptan yapılmıř dođal/boyalı mobilyanın bakımı**

Yüzey en iyi hafif nemli bir bezle temizlenebilir. **Dikkat: Ařındırıcı** veya çözücü bazlı temizleyiciler veya cila kullanılmamalıdır.

**Sunta mobilya malzemelerinin bakımı** Sunta malzemeden yapılmıř mobilyanızın bakımı için, yumuřak, tiftiksiz bir bez veya güderi kullanı. Hafif nemli bir bez ile yüzeyi temizleyin. **Temel olarak: Lütfen** ařađıdaki temizlik araçlarından ve maddelerinden kaçının:

- **mikro fiber kumaş veya bez.** Bunlar yüzeyin çizilmesine neden olabileyen ince ařındırıcı parçalar içerir;
- **keskin ve ařındırıcı temizlik kimyasalları veya çözücüler.** Bunlar da yüzeye hasar verebilir;
- **ovma tozu, çelik yünü veya ovma süngerı.** Yüzeyi, gidermeyi imkansız hale getirecek derecede güçlü bir řekilde bozar;
- **elektrik süpürgeři.** Hortum ađzı ve fırçalar yüzeyi çizebilir;
- **buharlı temizleyici.** Suyun yüzey üzerine buhar olarak uygulanmasını sađlayan yüksek basınç ve ısı ile, mobilya hasar görebilir veya ayrılabilir.

**Ürün Geliřtirme Departmanı**

## **RU**

**Уважаемый покупатель!** Благодарим вас за сделанный заказ!

Что бы вы ни приобрели – мебель из натурального дерева, глянцевую или матовую панель из пластика у каждой вещи есть свои, особенные свойства. Свойства и структура древесины, например, следы сучьев на мебели из натурального дерева, являются частью индивидуального оформления каждого предмета мебели. Поскольку мебель из натурального дерева подвергается постоянным изменениям климата и уровня влажности, ее поверхность со временем местами может измениться: могут появиться тонкие трещины, может измениться цвет. Обычно дерево постепенно темнеет. Эти изменения являются обычным явлением, когда речь идет о натуральном дереве. В этой брошюре приведено несколько советов относительно ухода за вашей мебелью, чтобы она прослужила вам как можно дольше.

#### **Основные правила:**

- Не ставьте на мебель горячие предметы.
- Не ставьте непосредственно на мебель горящие свечи.
- Пролитую жидкость вытирайте сразу же.
- Регулярно проверяйте прочность посадки винтов и обшивки.
- Обратите внимание, что запах дерева всегда является признаком качества мебели из натуральной древесины.
- Там, где раньше были сучья, появляются светлые места из-за естественного выхода смолы. Их можно отполировать с помощью сухой ткани без ворса.
- От компонентов мебели, изготовленных из дерева и кожи, покрытых лаком, поначалу также неминуемо будет исходить запах. Эти запахи исчезнут сами через некоторое время. Если вы хотите поскорее избавиться от них, чаще проветривайте помещение и протирайте мебель тряпкой, чуть смоченной водой с небольшим количеством уксуса.
- Сохраните эти указания.

**Указания по уходу за натуральным деревом, обработанным щелочью или маслом** Поверхность купленного вами предмета мебели обработана маслом на биологической основе. Чтобы сохранить естественный блеск мебели, который ей придает щелочь или масло, мы рекомендуем обрабатывать дополнительно обрабатывать мебель подходящим маслом. Поскольку после обработки поверхности на ней может остаться масло, мы рекомендуем тщательно вытирать поверхность тканью без ворса. После использования высушите ткань и лишь потом утилизируйте.

#### **Указания по уходу за мебелью из необработанного и лакированного дерева**

Поверхность лучше всего очищается с помощью умеренно влажной ткани. **Внимание:** едкие и содержащие растворители чистящие средства и полироли использовать **нельзя**.

#### **Указания по уходу за мебелью из ДСП и ДВП**

Для ухода за мебелью из ДСП и ДВП используйте мягкую ткань без ворса или замшу. Протирайте поверхности слегка смоченной тканью.

**Основные правила:** Пожалуйста, **ни в коем случае** не используйте следующие чистящие средства:

- **микрофибровые салфетки или пятновыводители.** Зачастую они содержат мелкие частицы абразивного вещества, которые могут поцарапать поверхность;
- **остро действующие химикаты и чистящие средства/растворы- тели с абразивным эффектом.** Они также могут повредить поверхность;
- **чистящий порошок, стальную пуганку или скребок.** Они разрушают поверхность настолько, что она уже не подлежит восстановлению;
- **пылесос.** Сопло и щетина могут поцарапать поверхность;
- **пароочиститель.** Пар, попадающий на поверхность под высоким давлением и с высокой температурой, может повредить ее и даже вызвать расслоение древесины.

**С наилучшими пожеланиями, коллектив разработчиков**

## **RO**

**Dragi clienți,** vă mulțumim pentru comanda dvs.!

Indiferent dacă ați achiziționat o piesă de mobilier confecționată din lemn natural, o fațetă cu luciu intens sau o fațetă mată din material plastic – fiecare piesă de mobilier are caracteristici complet speciale. Atât natura cât și structura lemnului, cum ar fi de exemplu micile noduri la mobila din lemn natural, constituie parte a specificului individual pentru fiecare piesă de mobilier. Deoarece mobila din lemn natural este expusă variațiilor persistente de climă și umiditate, la nivelul suprafeței pot să apară modificări sporadice, cum ar fi de exemplu microșururi sau modificări ale culorii. De regulă, în decursul timpului se reduce strălucirea, iar saturația culorilor crește – lemnul se închide la culoare. Modificările menționate reprezintă un proces normal în cazul materialelor naturale, precum lemnul. Această broșură vă oferă câteva sfaturi pentru întreținerea mobilierului dvs., astfel încât să vă bucurați de el timp îndelungat.

#### **Reguli general valabile:**

- Nu așezați pe mobilă obiecte fierbinți.
- Nu amplasați lumânări direct pe mobilier.
- Ștergeți imediat lichidele vărsate.
- Verificați la intervale regulate poziția fermă a șuruburilor și a feroneriei.
- Mirosul tipic, aromat al mobilierului din lemn natural reprezintă întotdeauna o garanție a calității.
- Locurile de culoare deschisă de la noduri apar printr-o ieșire naturală a rășinii la suprafață și pot fi lustruite cu o cârpă uscată, care nu lasă scame.
- Și în cazul altor materiale din lemn, piele, lăcuite sau tapițate persistă în mod inevitabil la început un miros propriu ușor. Aceste mirosuri dispar în timp de la sine. Dacă doriți să contribuiți la acest lucru, aerisiți mai des la început și/sau ștergeți mobila cu puțină apă și oțet.
- Păstrați aceste instrucțiuni în condiții optime.

**Indicații pentru întreținerea mobilierului din lemn natural tratat cu leșie/ impregnat cu ulei** Suprafața noului dvs. mobilier este tratată cu ulei biologic pur. Pentru a menține acest luciu natural, tratat cu leșie/ impregnat cu ulei, vă recomandăm să aplicați din când în când un tratament ulterior cu ulei adecvat pentru mobilă. Deoarece modul de tratare a suprafeței poate să lase eventuale reziduuri de ulei natural, vă recomandăm să frecăți mobilă cu o cârpă care nu lasă scame. După utilizare lăsați cârpa să se usuce, apoi îndepărtați impuritățile.

**Indicații pentru întreținerea mobilierului din lemn natural netratat/lăcuit** Suprafața se curăță în mod optim cu o cârpă ușor umedă. **Atenție:** A nu se utiliza detergenți sau substanțe de lustruit corosive sau care conțin solvenți. **Indicații pentru întreținerea mobilierului din materiale fibrolemnoase** Pentru întreținerea mobilierului din materiale fibrolemnoase, vă recomandăm să utilizați în mod optim o cârpă moale care nu lasă scame sau o bucată de piele tăbăcită de șters. Ștergeți suprafața cu puțină apă. **Reguli general valabile:** Vă rugăm să nu utilizați în niciun caz următoarele substanțe sau mijloace de curățat:

- **cărpe din microfibre sau bureți de curățat.** Acestea conțin adesea mici particule abrazive care pot zgâria suprafețele;
- **substanțe chimice corosive, precum și solvenți sau substanțe de curățat abrazive.** Și acestea pot să deterioreze suprafețele;
- **praf de curățat, bureți din fibră de oțel sau răzuitoare.** Acestea pot să deterioreze suprafețele în așa măsură, încât nu mai este posibilă recondiționarea lor;
- **aspiratoare.** Duzele și periile pot zgâria suprafețele;
- **curățitoare cu abur.** Suprafețele expuse la presiunea și temperatura excesivă a aburului, pot să se deterioreze sau chiar se pot disloca de pe suportul de bază.

**Departamentul dvs. de creație produse**

## **CU**

**Văzână zăkaznice, văzână zăkaznĳku, dĳkujeme za Vašĳ objednāvku!**

Jedno, zda jste zakoupili nabytek zhotovený z přírodního dřeva, čelo s vysokým leskem nebo matné plastové čelo – každý kus nábytku má své zcela speciální vlastnosti. Také kvalita a struktura dřeva, jako například menší suky u nábytku z přírodního dřeva, jsou součástí individuálního vyzářování každého jednotlivého kusu nábytku. Protože je nábytek z přírodního dřeva vystaven neustálým změnám klimatu a vlhkosti, mohou se ojediněle vyskytnout změny v povrchu jako např. vlasové trhliny nebo změny barvy. Svĳtlost všeobecnĳ během času klesá a sytost barvy se zvyšuje – dřevo tmavne. Uvedené změny jsou u přírodního materiálu jako dřevo normální proces. Tato knĳžĳčka Vám poskytne několik tipů pro péči o Váš nabytek, abyste se z něho mohli radovat dlouhou dobu.

**Zásadně platĳ:**

- Nepokládejte na nabytek horké předmĳty.
- Nestavte svĳčky přímo na nabytek.
- Rozlitĳ kapaliny ihned utřete.
- V pravidelných intervalech kontrolujte, zda jsou pevnĳ utahĳné šrouby a kování.
- Typická, aromatická vĳně dřeva je u nábytku z přírodního dřeva vĳdy dĳkazem kvality.
- Svĳtlá místa u suků vznikají přirozeným únikem pryskyřice a mohou se přeleštit suchým hadřĳkem, který nepouštĳ vlákna.
- Takĳ u jiných dřevĳných, lakovaných, kožených nebo ĳalounĳných materiálu je slabá/vĳně/zápach na začátku nevyhnutelná/v. Tyto vĳně/pachy zmĳzĳ po nějakĳ době samy. Pokud tomu budete chtĳt napomoci, vĳtrejte na začátku ĳastĳji a/nebo nabytek lehce utřete vodou s trochou octa.
- Tyto pokyny dĳbrĳe uschovejte.

**Pokyny pro péči o louhovaný nabytek/ nabytek natřený olejem z přírodního dřeva**

Povrch Vašeho novĳho nábytku je ošetřený ĳistĳ biologickĳm olejem. Aby si zachoval tento přirozený lesk, doporučujeme nabytek obĳas ošetřĳt vhodným olejem na nabytek. Protože podle druhu povrchovĳ úpravy mohou na povrchu zůstat případně zbytky přírodního oleje, doporučujeme Vám nabytek otřĳt hadřĳkem, který nepouštĳ vlákna. Hadřĳk nechejte po použití uschnout a teprve poté ho zlikvidujte.

**Pokyny pro péči o nabytek ponechaný v přírodním stavu/lakovaný nabytek z přírodního dřeva**

Povrch nejlĳpe vyĳčĳstĳte lehce navlhĳeným hadřĳkem. **Pozor:** Leptavĳ ĳĳstĳcí prostředky a ĳĳstĳcí prostředky a politory s obsahem rozpoušĳtelĳ **se nesmĳ používat.** **Pokyny pro péči o nabytek z deskových materiálu** Při péči o Váš nabytek z deskových materiálu použĳjte nejlĳpe mĳkkĳ hadřĳk, který nepouštĳ vlákna, nebo kožený hadřĳk. Povrch utřete navlhĳeným hadřĳkem. **Zásadně platĳ:** V žádnĳm případě **nepoužívejte** následující ĳĳstĳcí prostředky:

- **hadřĳky s mikrovláknny** nebo **samoĳĳstĳcí houbyĳky.** ĳasto obsahují jemnĳ abrazivní ĳástice, které mohou vést k poškrábání povrchů;
- **silnĳ chemickĳ substance** a **abrazivní ĳĳstĳcí prostředky a rozpoušĳtĳla.** Rovnĳž mohou poškodit povrchy;
- **abrazivní prášek, ocelovou vĳnu** nebo **drátĳnky.** Zniĳí povrch tak, že jeho oprava jĳž nebude možná;
- **vysavaĳ.** Trysky a kartáĳe mohou poškrábat povrchy;
- **parní ĳĳstĳĳe.** Povrchy mĳže poškodit vysoký tlak a žár vodní páry nebo dokonce mĳže dojĳt k jejich uvolnĳní od podkladu.

**Vaše oddĳlení vĳvoje novĳch vĳrobĳů**

## **SK**

**Vázení zăkaznici, vďaka za vašu objednāvku!**

Bez ohľadu na to, ĳi ste si zakĳpili nabytok, vyrobený z prírodnĳho dreva s vysokolesklými ĳelnými plochami alebo s matnými ĳelnými plochami z plastov – každý nabytok má svoje celkom špecĳfickĳ vlastnosti. Aj kvalita a štruktúra dreva, ako napr. menšie hrĳce pri nabytku z prírodnĳho dreva, sú súčasťou individuálneho vyzářovania každĳho kusu nábytku. Keďže je nabytok z prírodnĳho dreva vystavený neustálym vĳkyvom klĳmy a vlhkosti, mĳžu sa ojedinĳle vyskytnúť zmeny v jeho povrchovej ploche, ako napr. vlasovĳ trhliny a zmeny farby. Vo všeobecnosti sa s ĳasom zmenšuje svetlosť povrchu a prĳbĳda nasýtenosť farby – drevo tmavne. Uvedené zmeny sú u prírodnĳho materiálu, ako je drevo, normálnym procesom. Táto prĳručka vām ponúka niekoľko rád ohľadne ošĳetrovania vāšho nábytku, aby ste sa z neho mohli dlho tešĳt.

**Zásadne platĳ:**

- Neulozte na nabytok žiadne horúce predmĳty.
- Nepostavte priamo na nabytok žiadne svĳčky.
- Vyliate kvapaliny ihned utrite.
- V pravidelných ĳasových intervaloch skontrolujte pevnĳ uložĳnie skrutiek a kovania.
- Typický, aromatický pach dreva je pri nabytku z prírodnĳho dreva vĳdy dĳkazom kvality.
- Svetlé miesta na hrĳiach vznikajú prirodzeným vystupovaním živice a dajú sa odstrániť so suchou utierkou bez vlákien.
- Zo začiatku sa nedá zabrániť ani slabĳmu charakteristickĳmu pachu iných drevených, náterových, kožených alebo ĳalúnĳnických materiálov. Tieto pachy sa po urĳitom ĳase samoĳinne stratia. Ak tento proces chcete urýchliť, vetrajte spoĳiatku ĳastejšĳe a/alebo utierajte nabytok s utierkou, zľahko navlhĳenou vo vode s trochou octu.
- Dobre si odlozte tieto upozornĳnia.

**Pokyny pre ošĳetrovanĳ nalúhovanĳho/ naolejovanĳho nábytku z prírodnĳho dreva**

Povrch vāšho novĳho nábytku je ošetrený s ĳistým biologickĳm olejom. Pre zachovanie tohoto nalúhovanĳho/na-olejovanĳho lesku vām doporučujeme príležitostne ho dodatoĳne ošĳetriť s vhodným olejom pre nabytok. Nakoľko podľa spôsobu ošĳetrovania povrchu mĳžu na ųom zostať prĳp. zvyšky prírodnĳho oleja, doporučujeme vām, vyutierať nabytok s utierkou bez vlákien. Po použití nechajte utierku vyschnúť a až potom ju zlikvidujte. **Pokyny pre ošĳetrovanĳ prírodnĳho/ nalakovanĳho nábytku z prírodnĳho dreva** Povrch sa dá najlepšie vyĳčĳstĳť so zľahka navlhĳenou utierkou. **Pozor:** Dráždivĳ alebo rozpúšĳtĳdľá obsahujúĳe ĳĳstĳiace alebo lešĳiace prostriedky sa **nesmĳ používať.** **Pokyny pre ošĳetrovanĳ nábytku z drevovláknĳných dosĳiek** Na ošĳetrovanĳ vāšho nábytku z drevovláknĳných dosĳiek je ideálne použiť mĳkkú utierku bez vlákien alebo koženú utierku. Utierajte povrchy so zľahka navlhĳenou utierkou. **Zásadne platĳ:** Nepoužívejte v žiadnom prípade nasledujúĳe ĳĳstĳiace alebo lešĳiace prostriedky:

- **mikrovláknĳné utierky** alebo **ĳĳstĳĳe.** Tiero ĳasto obsahujú brúsne ĳástice, ktoré mĳžu viesť k doškrábaniu povrchov;
- **ostrĳ chemickĳ látky** ako aj **drhnúĳe ĳĳstĳiace alebo lešĳiace prostriedky.** Tieto mĳžu povrch taktiež poškodit;
- **prášky na drhnutie, oĳefovú vĳnu** alebo **škrabky na hrnce.** Zniĳia povrch natoľko, že už viac nie je možná jeho oprava;
- **vysavaĳ.** Hubice a kefy mĳžu povrch doškrábať;
- **parnĳ ĳĳstĳĳe.** Vysokým tlakom a teplotou, s akými vodná para naráža na povrchy, sa tieto mĳžu poškodit alebo dokonca odlepiť od podkladu.

**Váš vĳvoj vĳrobku**

## HU

**Kedves Vásárlónk!** Köszönjük a megrendelését!

Függetlenül attól, hogy természetes fából vagy más anyagból készült fényes vagy matt felületű bútort vásárolt, minden egyes bútor egyedi jellemzőkkel rendelkezik. A faanyagok és szerkezetüknek egyedi jellemzői, pl. A kisebb ágak miatt göcsök a természetes faanyagból készült bútoroknál minden egyes bútornak egyedi megjelenést kölcsönöznek. A természetes fából készült bútor folyamatosan ki van téve a hőmérsékletés páratartalom-változásoknak, így annak felületén egyedi változások jelentkezhetnek, pl. Hajszáltrepedések és színváltozások. Általánosságban megállapíthatjuk, hogy a világosság és a színtelítettség az idővel csökken – a bútor sötétebbé válik. Ezek a változások a természetes alapanyagok, pl. a fa használata esetén teljesen normálisak. A kézikönyvecske célja, hogy pár ötletet adjon a bútor ápolásához, hogy annak használatát hosszan élvezhesse.

### **Általános utasítások:**

- Ne tegyen forró tárgyat a bútorra.
- Ne tegyen gyertyát közvetlenül a bútorra.
- A kifolyt folyadékot azonnal törölje fel.
- Rendszeres időközönként ellenőrizze a csavarok feszességét és az alátéteket.
- A természetes fából készült bútorok aromás fa illata a minőség jele.
- A göcsöknél található világos foltokat a természetes gyantaáramlás okozza, amit egy száraz, szőszmentes ronggyal törölhet le és polírozhat.
- A fa-, a lakk-, a bőr- és a kárpitanyagok a kezdetben gyengén illatanyagokat bocsátanak ki. Ezen illatanyagok kibocsátása egy idő után magától megszűnik. Ha ezt szeretne felgyorsítani, akkor a bútor használatának elején szellőztessen gyakrabban és/ vagy törölje le a bútort egy kevés vízzel, amibe egy kicsi ecetet is rak.
- Őrizze meg az útmutatót, hogy azt később is használhassa referenciaként.

**Ápolási tanácsok kezelt/olajjal megkent természetes fából készült bútorokhoz** A bútor felületét tiszta, biológiai olajjal kezeltük. A természetes kezelés/olajozás fényének megőrzéséhez javasoljuk, hogy néha kenje után a bútort megfelelő bútorolajjal. Ahhoz, hogy a bútor felületén ne legyen túl sok természetes olaj javasoljuk, hogy a bútort törölje le szőszmentes ronggyal. Engedje, hogy a rongy megszáradjon, és azt csak ezután selejtezze le.

**Ápolási tanácsok kezeletlen/lakkozott természetes fából készült bútorokhoz** A felületet a legkönnyebben egy kissé nedves ronggyal lehet a legjobban tisztítani. **Figyelem: Tilos** maró hatású vagy oldószert tartalmazó tisztítószer vagy polírozószer használni. **Ápolási tanácsok bútorlapból készült bútorokhoz** A bútorlapból készült bútorokhoz a legjobb, ha puha, nem rojtosodó rongyot vagy bőrkendőt használ. Törölje le a felületeket kissé nedves ronggyal. **Általános utasítások:** Semmilyen körülmények között **se használja** a következő tisztítószerkeket:

- **mikroszálás kendő** vagy **szennytörölő- radír**. Ezek gyakran apró csiszolószemcséket is tartalmaznak, amelyek a felületet összekarcolhatják;
- **erős vegyszerek, pl. Súrolószer tartalmazó tisztítószer** vagy **oldószer**. Ezek ugyanúgy tönkre teheti a felületet;
- **súrolópor, fémszálás dörzsölőanyag** vagy **edény súrolószer**. Ezek annyira tönkre teszik a felületet, hogy annak javítása nem lehetséges;
- **porzivó**. A cső és a kefék a felületet összekarcolhatják;
- **gőztisztító**. A magas nyomás és a hő miatt a gőz a felületen keresztül behatolhat az anyagba, ami sérüléseket okoz, sőt akár a felület le is válhat.

**A termékfejlesztők**