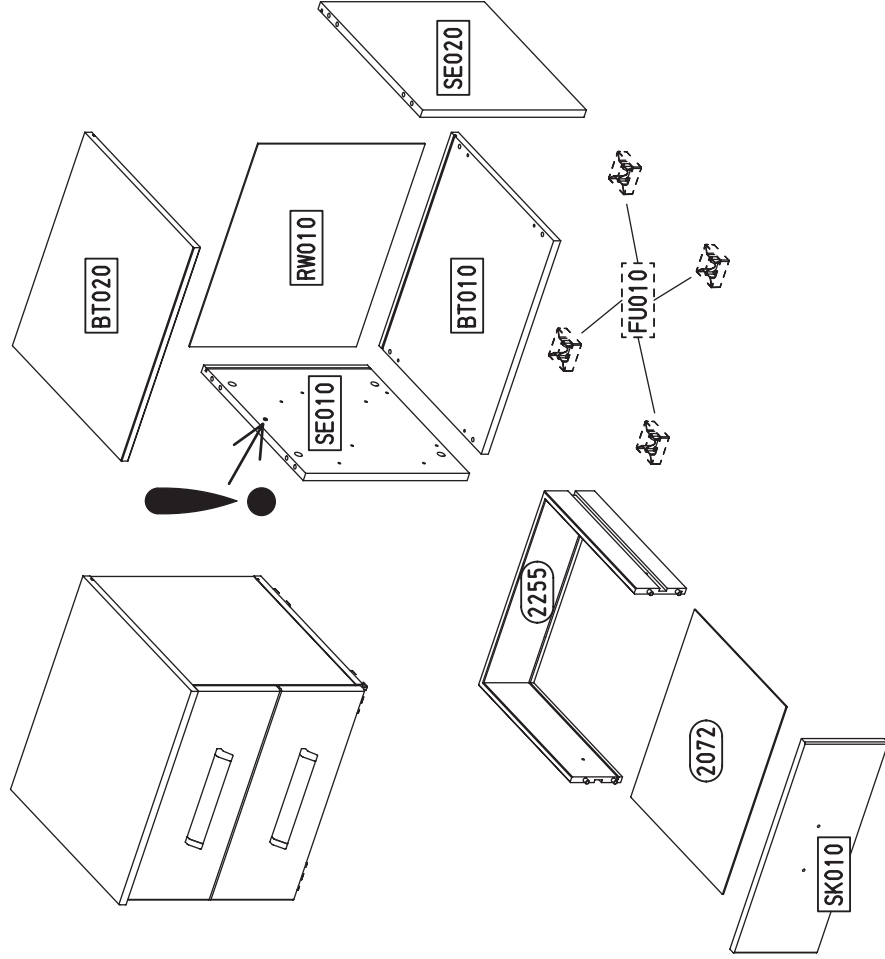
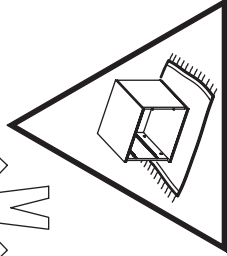
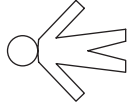
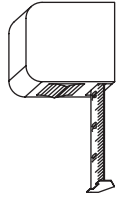
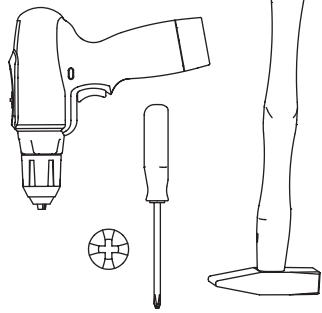


1.

M2100_03

rauch

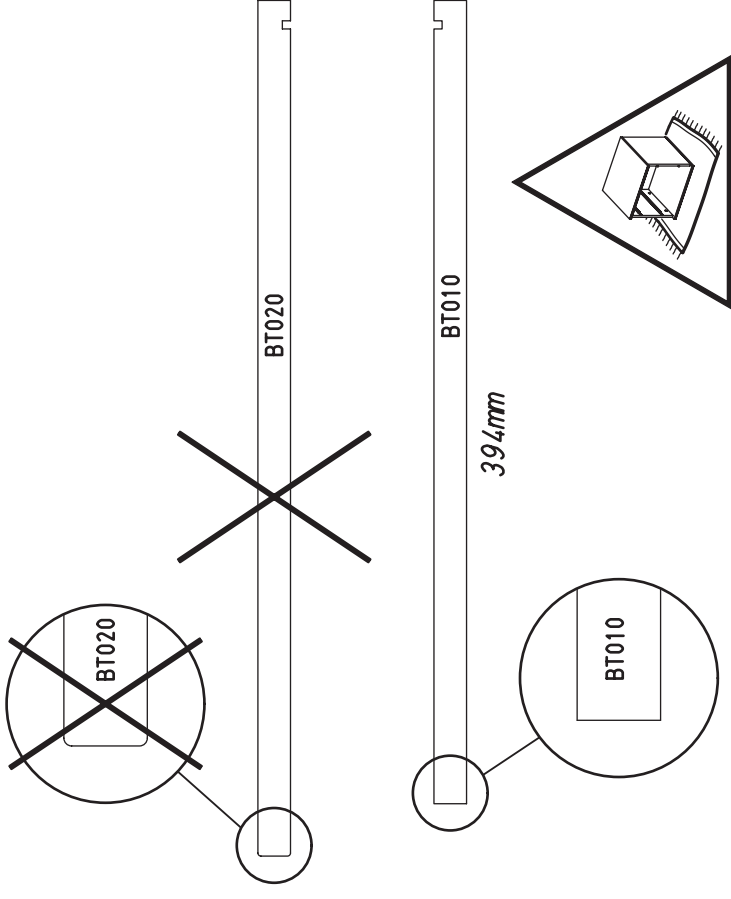


2.

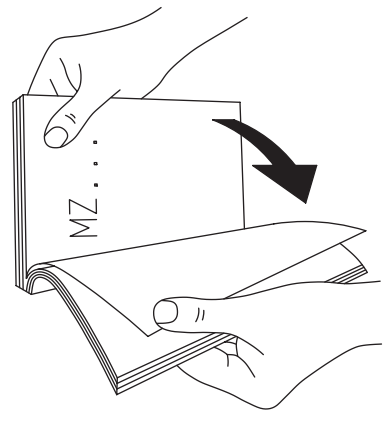
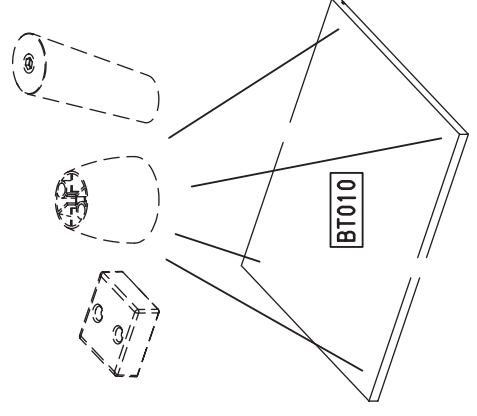
<p>(11)</p>	<p>8X (18)</p> <p>8x30</p>	<p>8X (183)</p> <p>23/10x7,5</p>	<p>8X (227)</p> <p>6x10,5</p>
<p>4X (251)</p> <p>328x17x9,5</p>		<p>8X (349)</p>	<p>4X (568)</p> <p>M4x9</p>
<p>4X (1000)</p>		<p>4X (1001)</p>	
<p>16X (1002)</p> <p>3,5x20</p>	<p>8X (1003)</p> <p>6x12</p>	<p>2X (1090)</p>	

4.

2



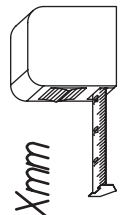
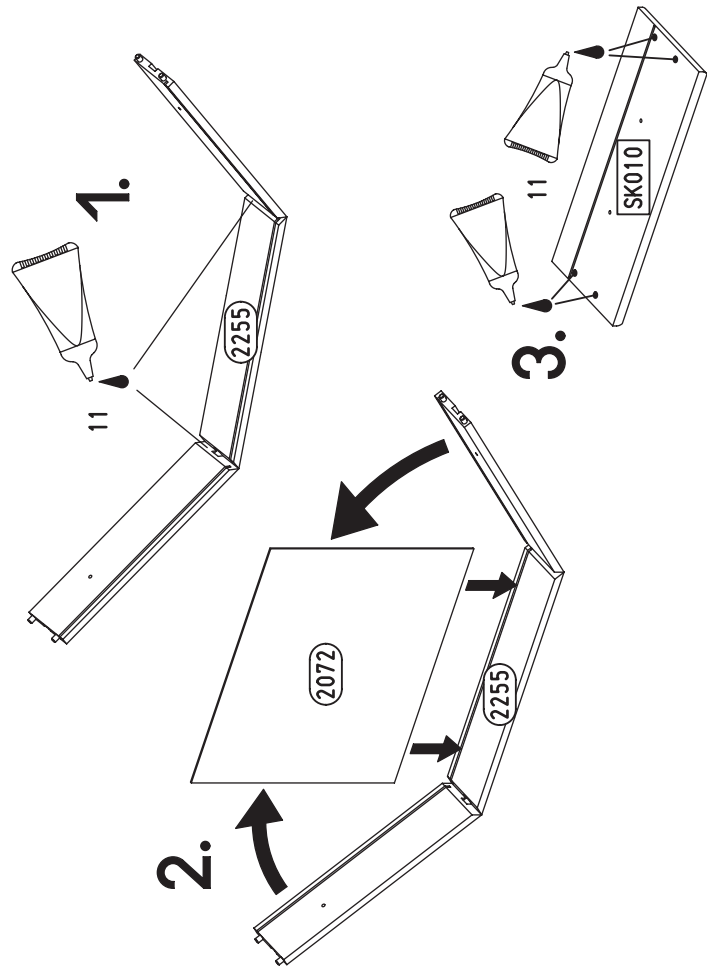
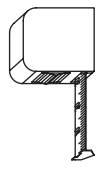
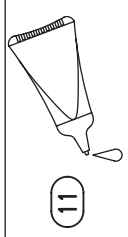
? [FU010]



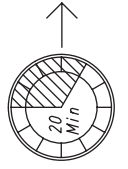
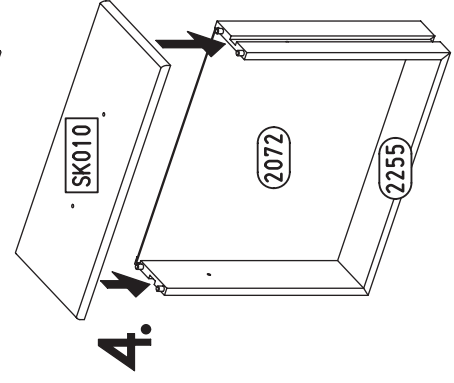
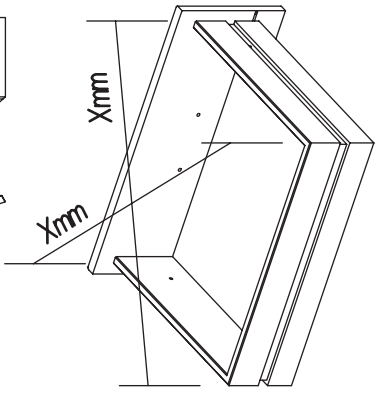
M2100

3.

1



Xmm = Xmm

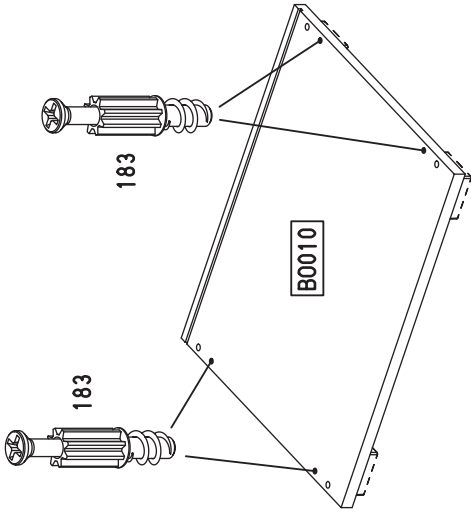
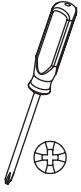


M2100

5.

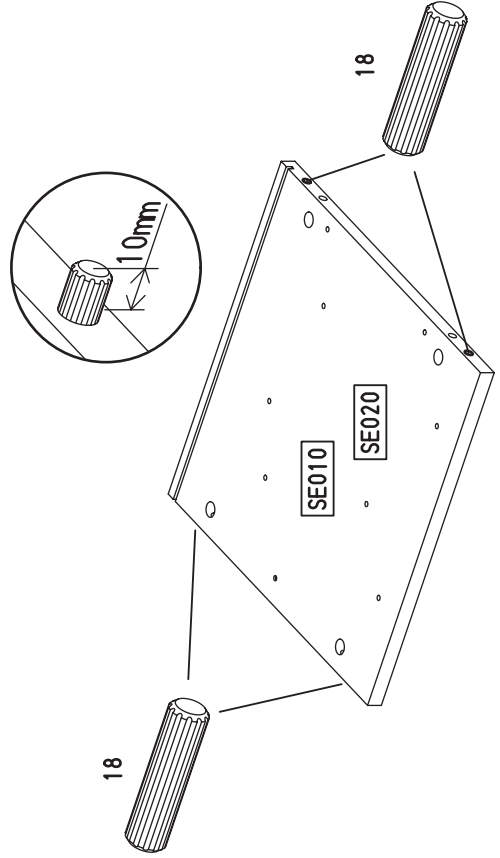
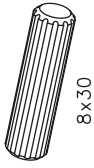
3

4x 183



4

8x 18

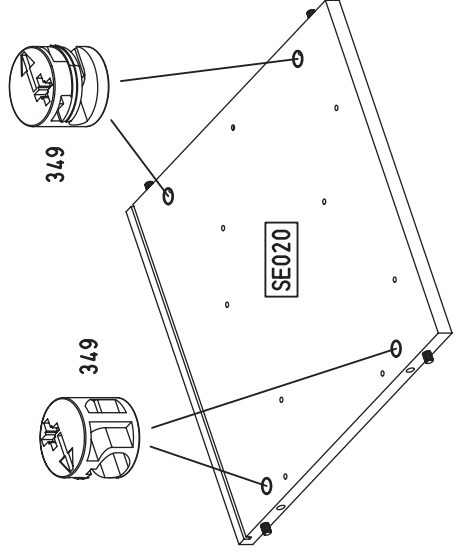
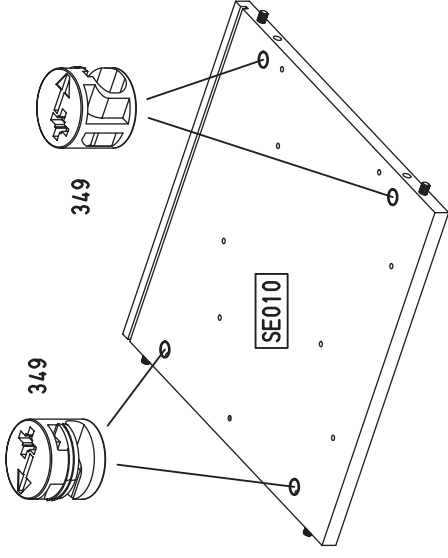
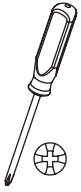


M2100

6.

5

8x 349



M2100

7.

6

2x (251)

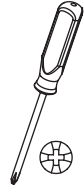


328x17x9,5

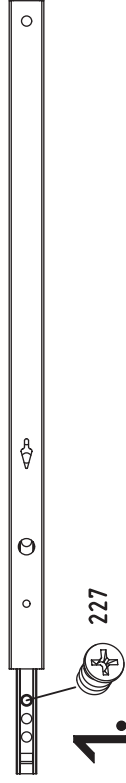
4x (227)



6x10,5



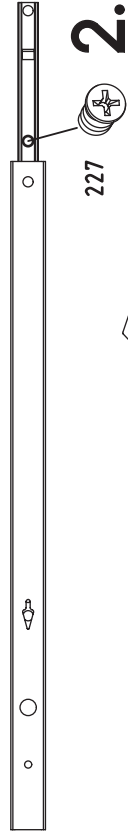
251



1.

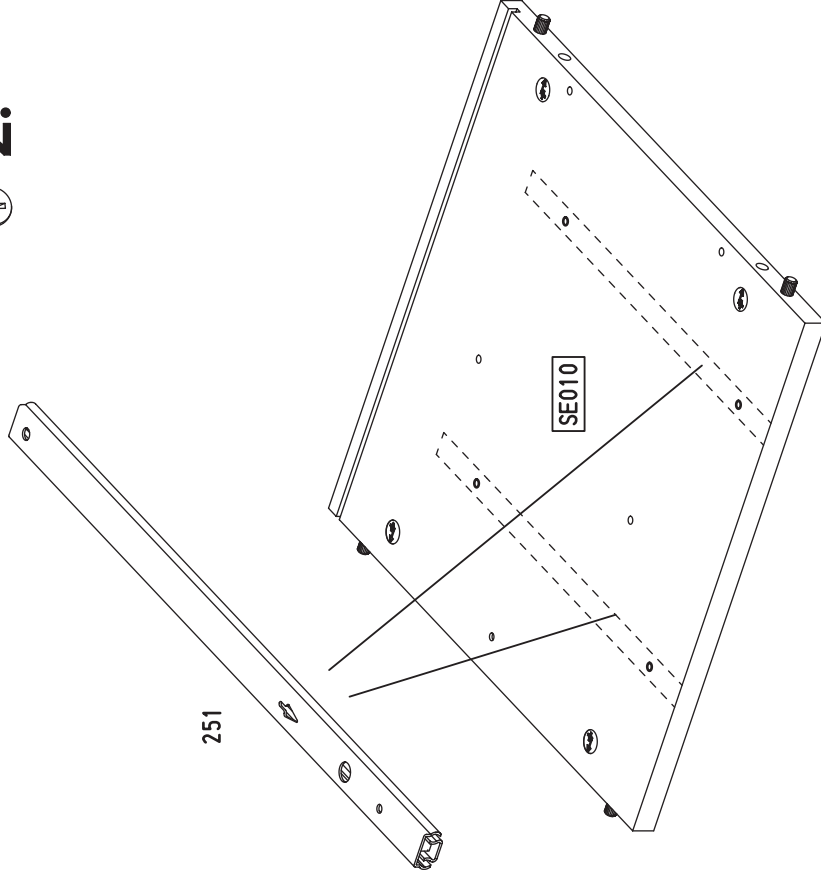
(227)

2.



227

251



SE010

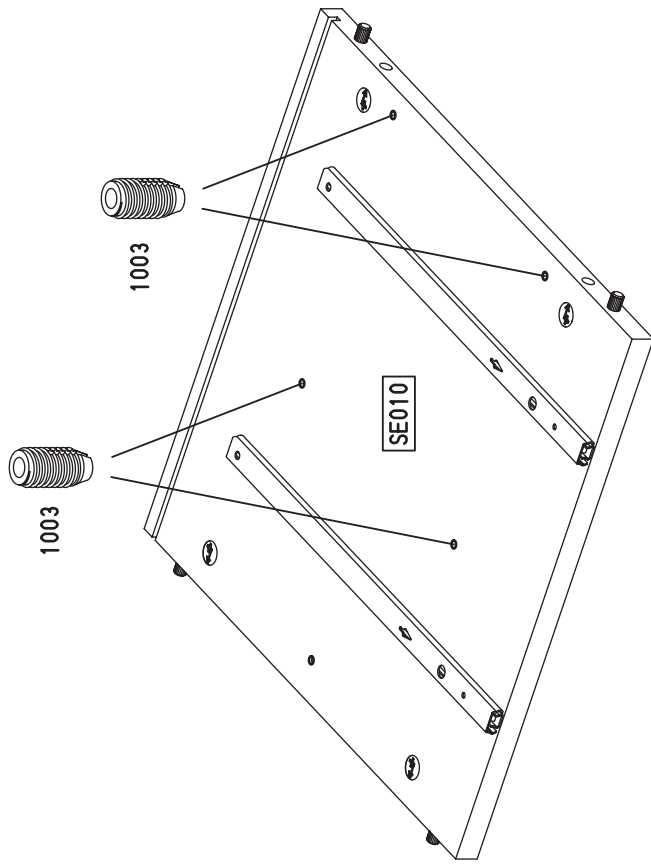
8.

7

4x (1003)



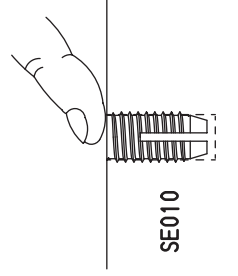
6x12



1003

1003

SE010



SE010

10.

9

2x (251)



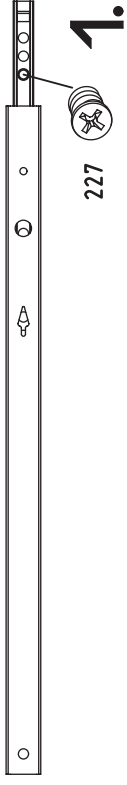
4x (227)



6x10,5



251



1.

2.



227

251

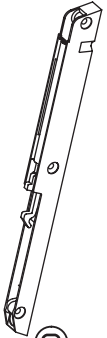
SE020

M2100

9.

8

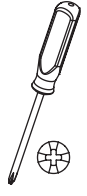
2x (1000)



6x (1002)



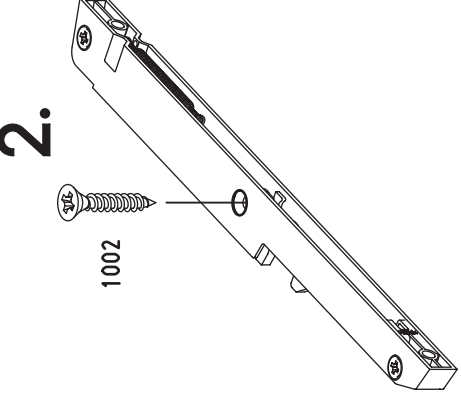
3,5x20



1002

1.

2.



1002

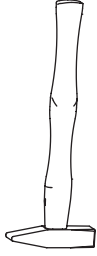
1000

SE010

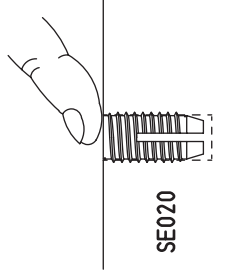
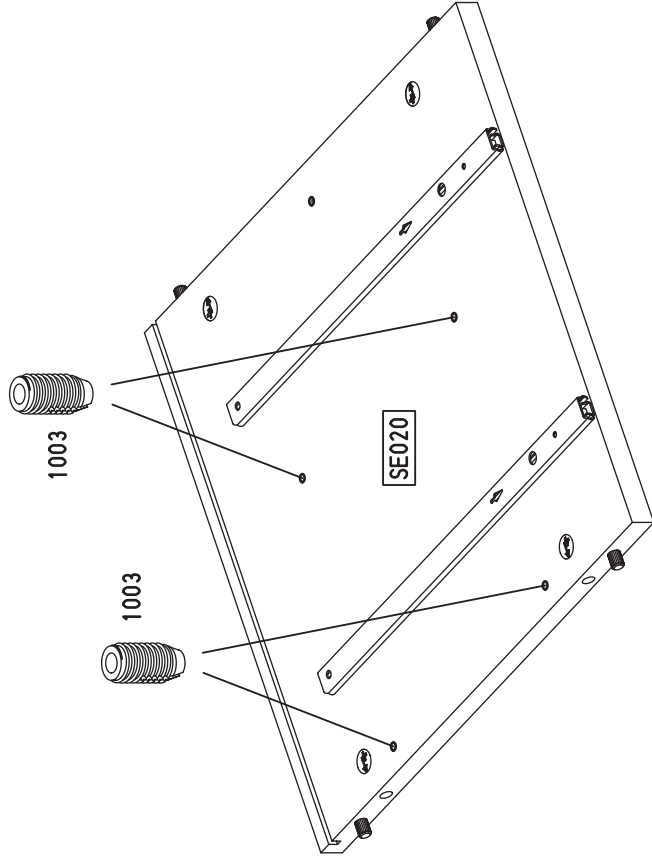
M2100

11.

4X 1003

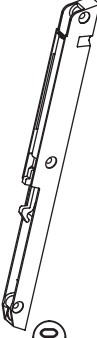


10



12.

2X 1000

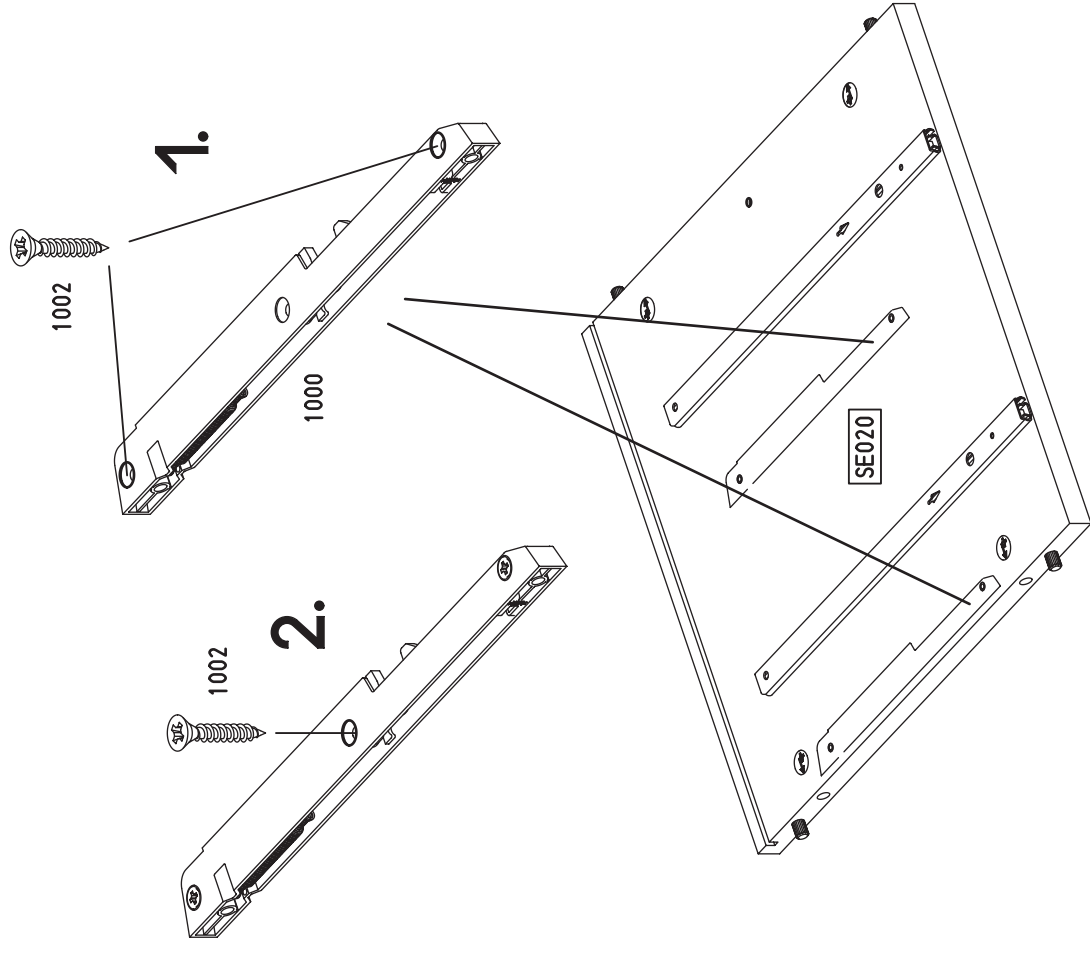
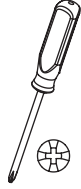


11

6X 1002

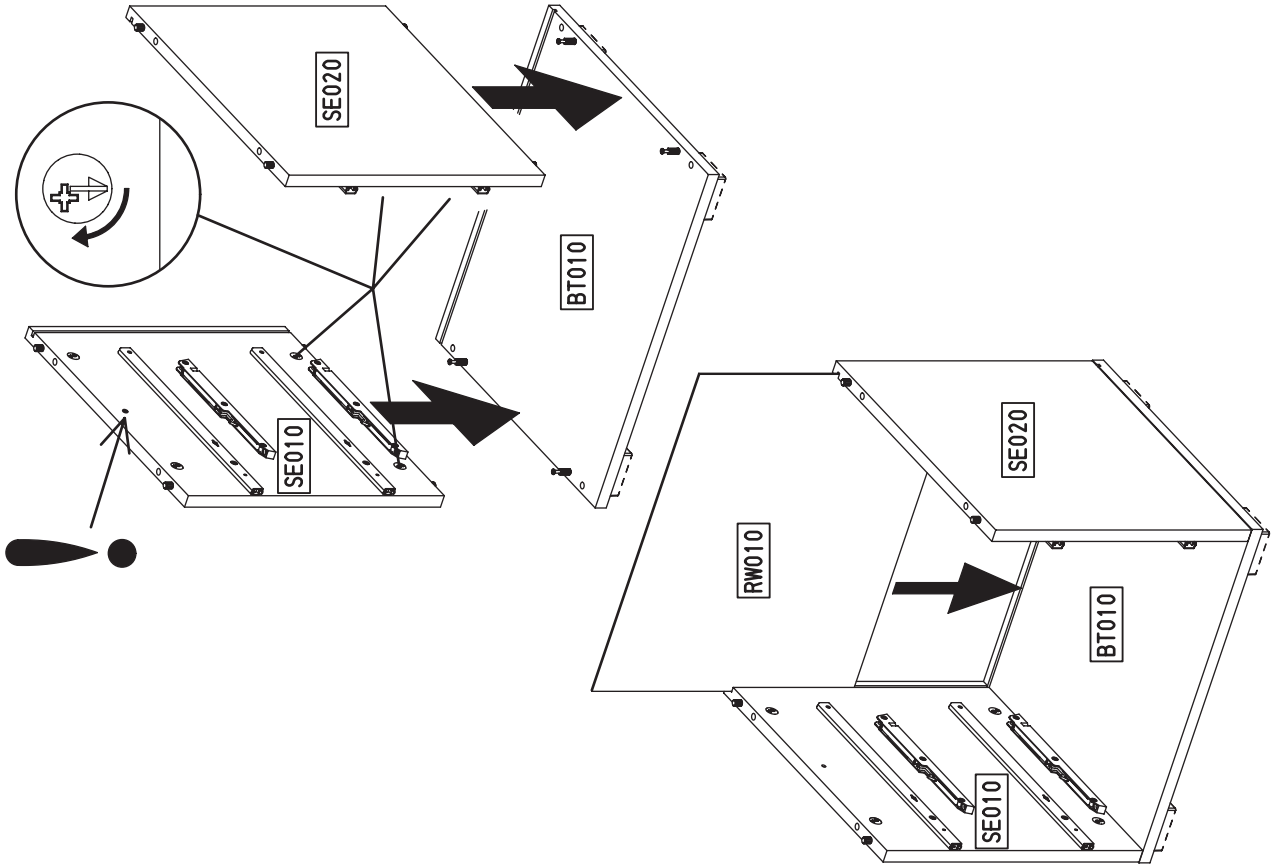


3,5x20



13.

12



M2100

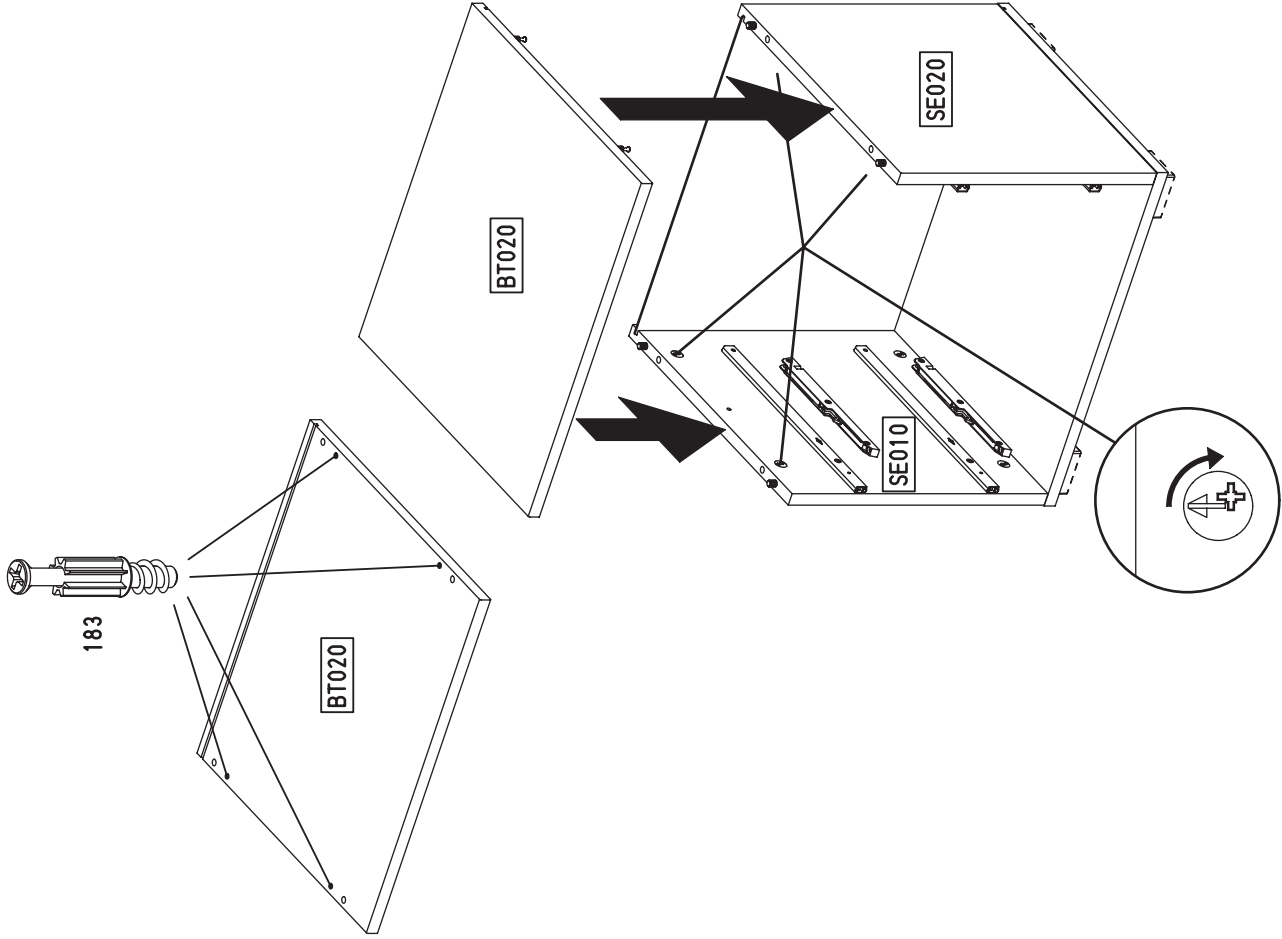
14.

13

4x 183



23/10x7,5/6,5

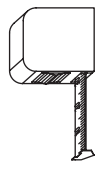


M2100

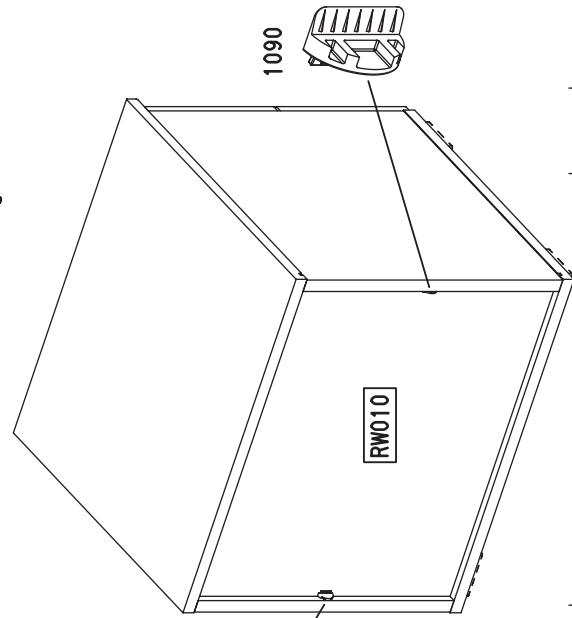
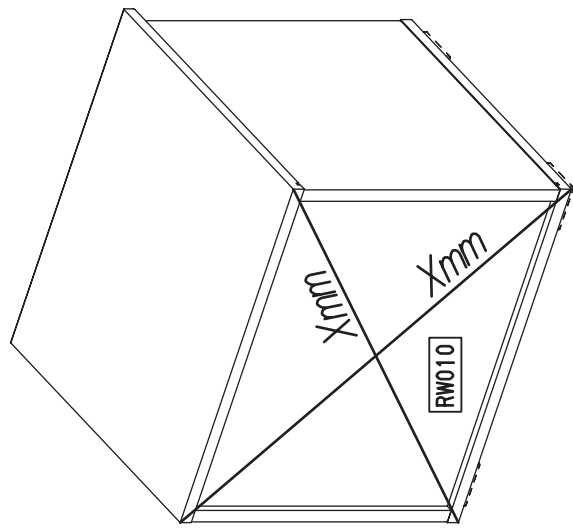
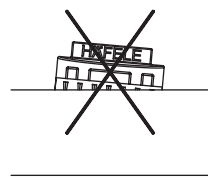
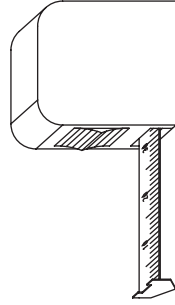
15.

14

2X 1090

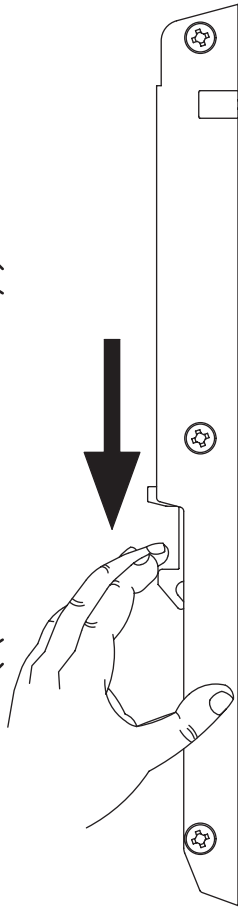
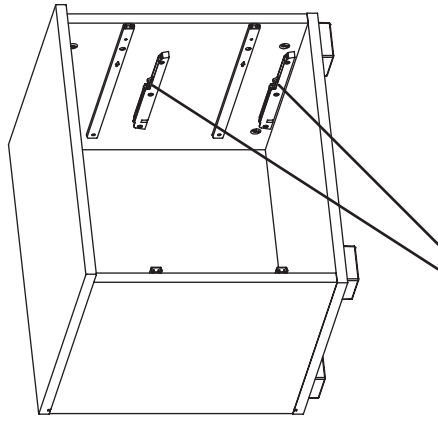
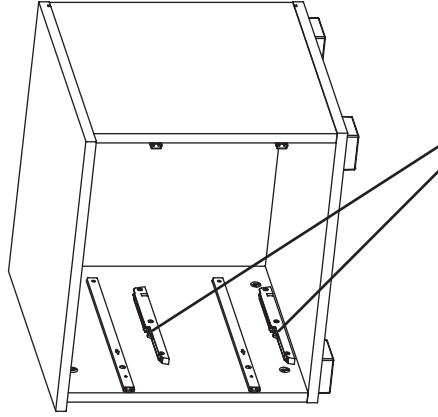


Xmm = Xmm

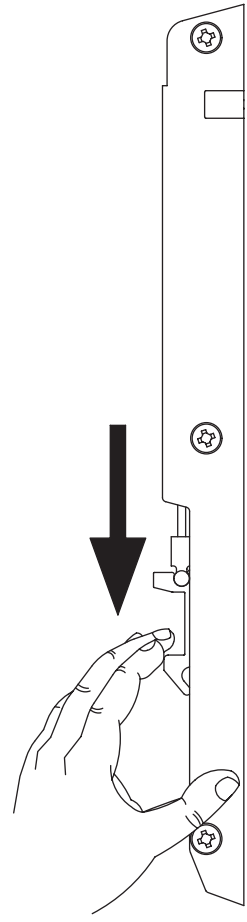


16.

15



1000



17.

16

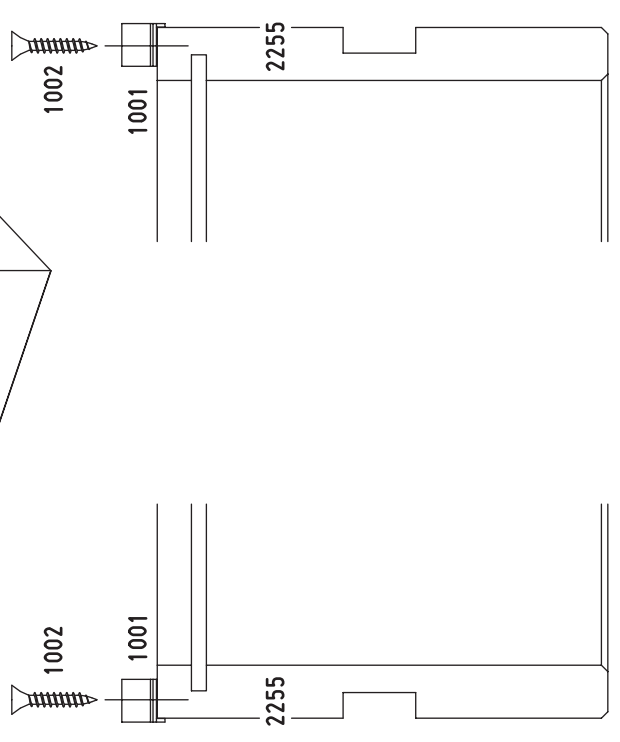
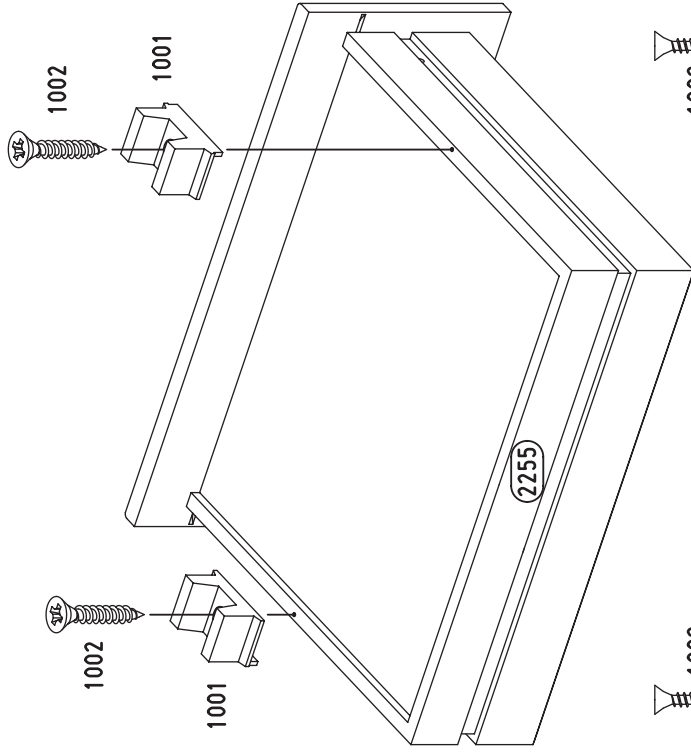
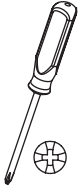
4X 1001



4X 1002



3.5x20



M2100

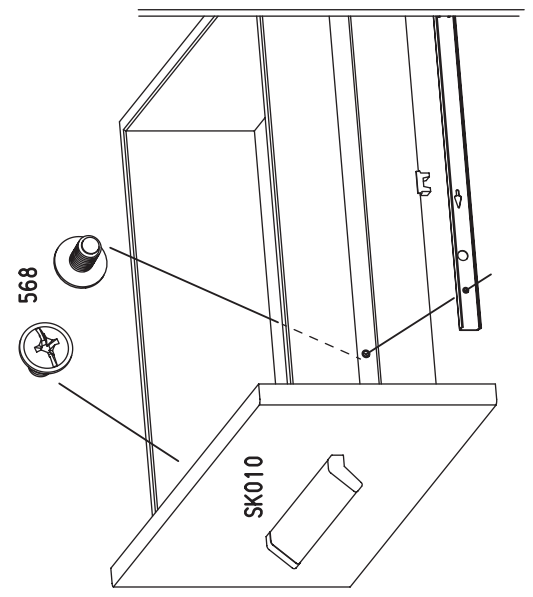
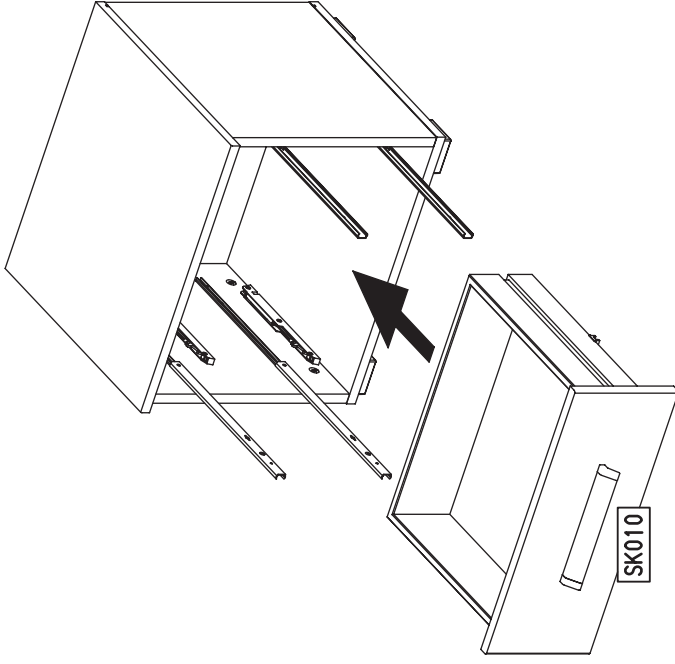
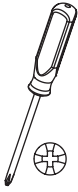
18.

17

4X 568



M4x9

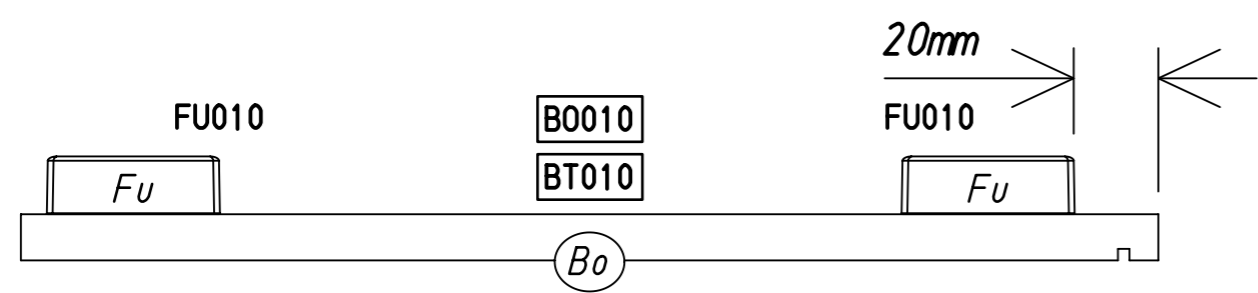
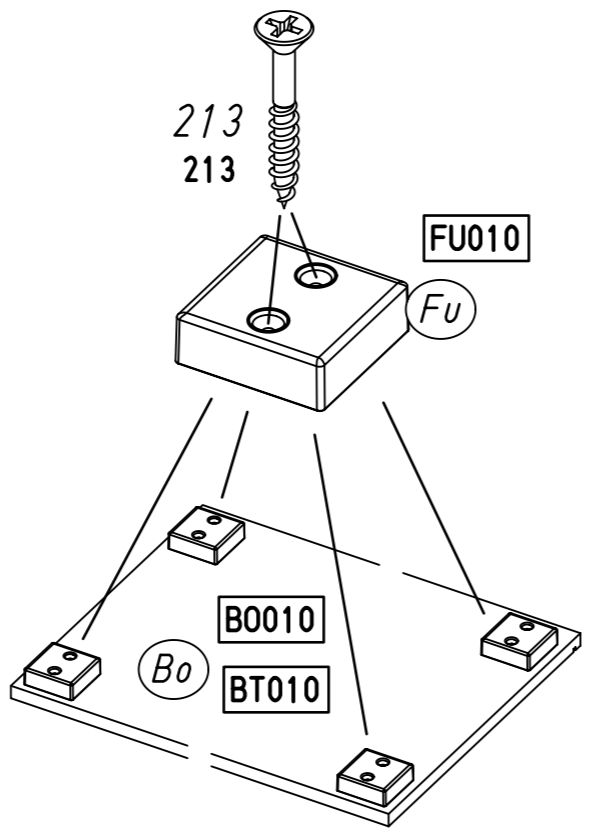
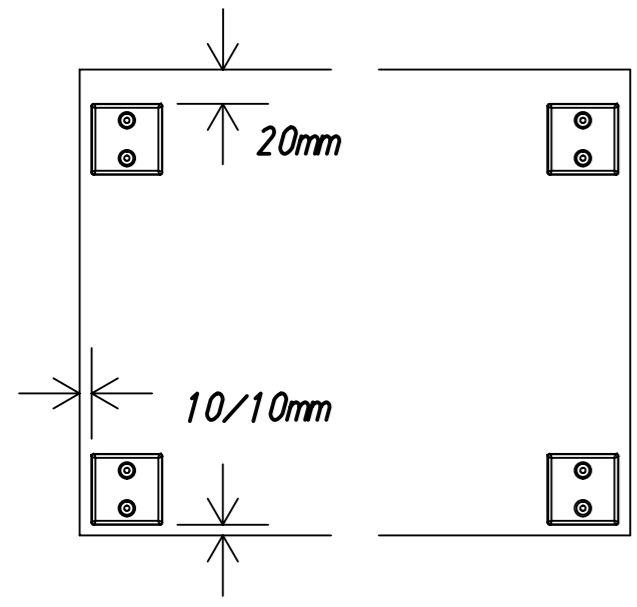
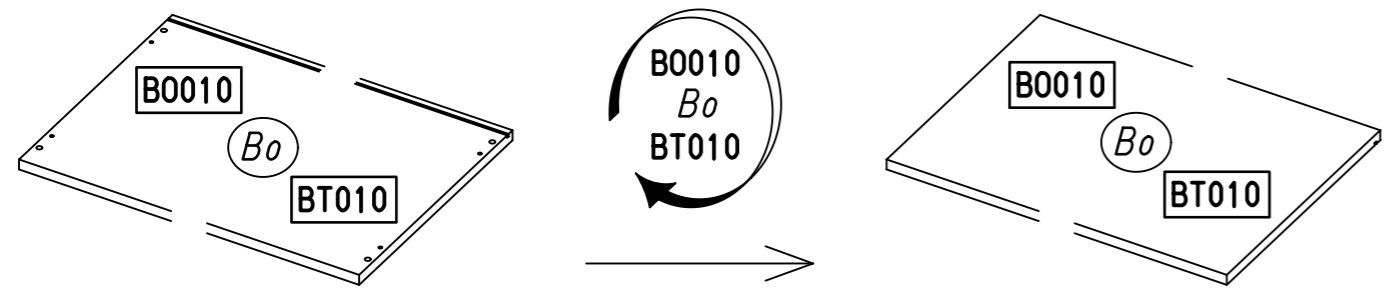
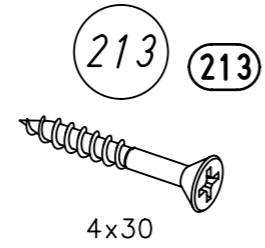
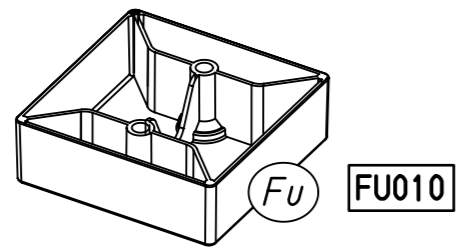


M2100

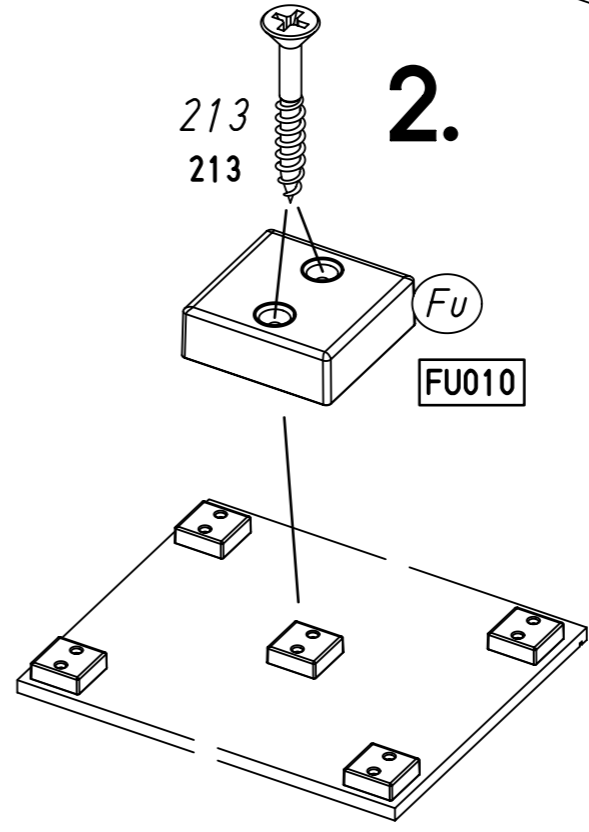
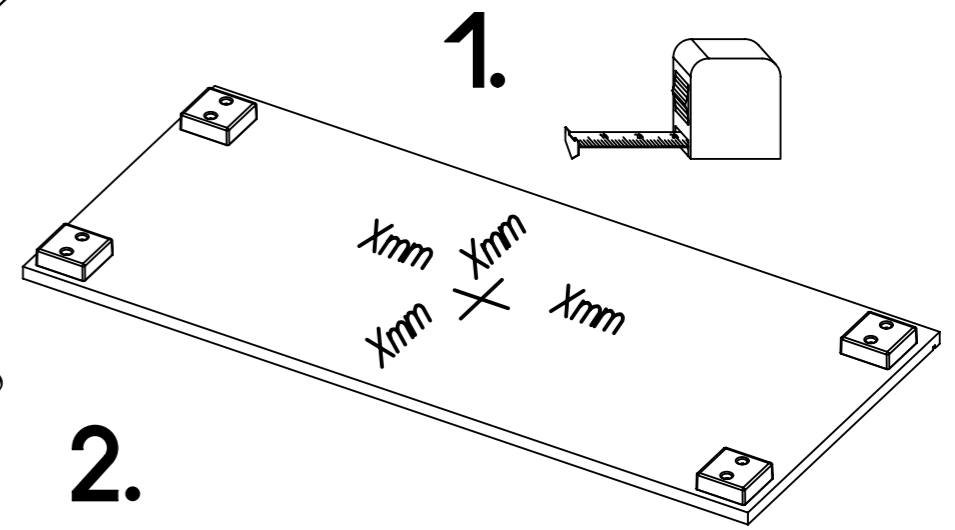
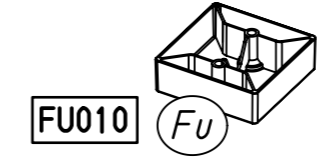
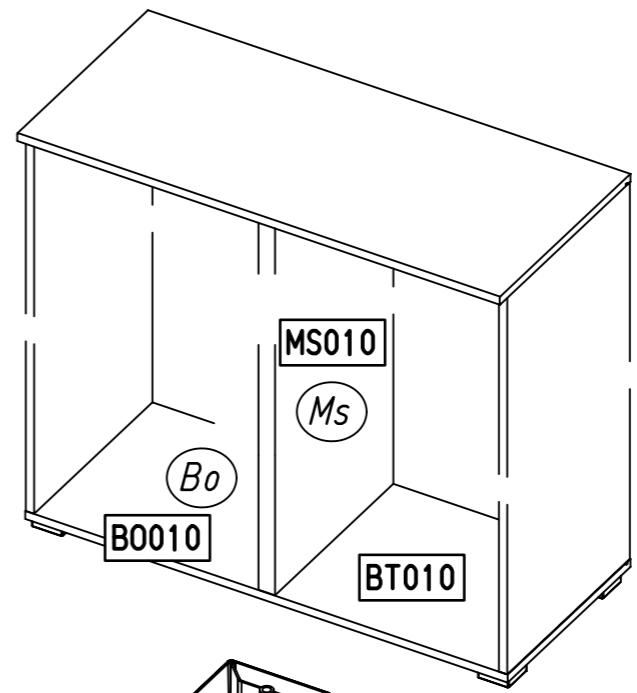
1.

MZ044_01

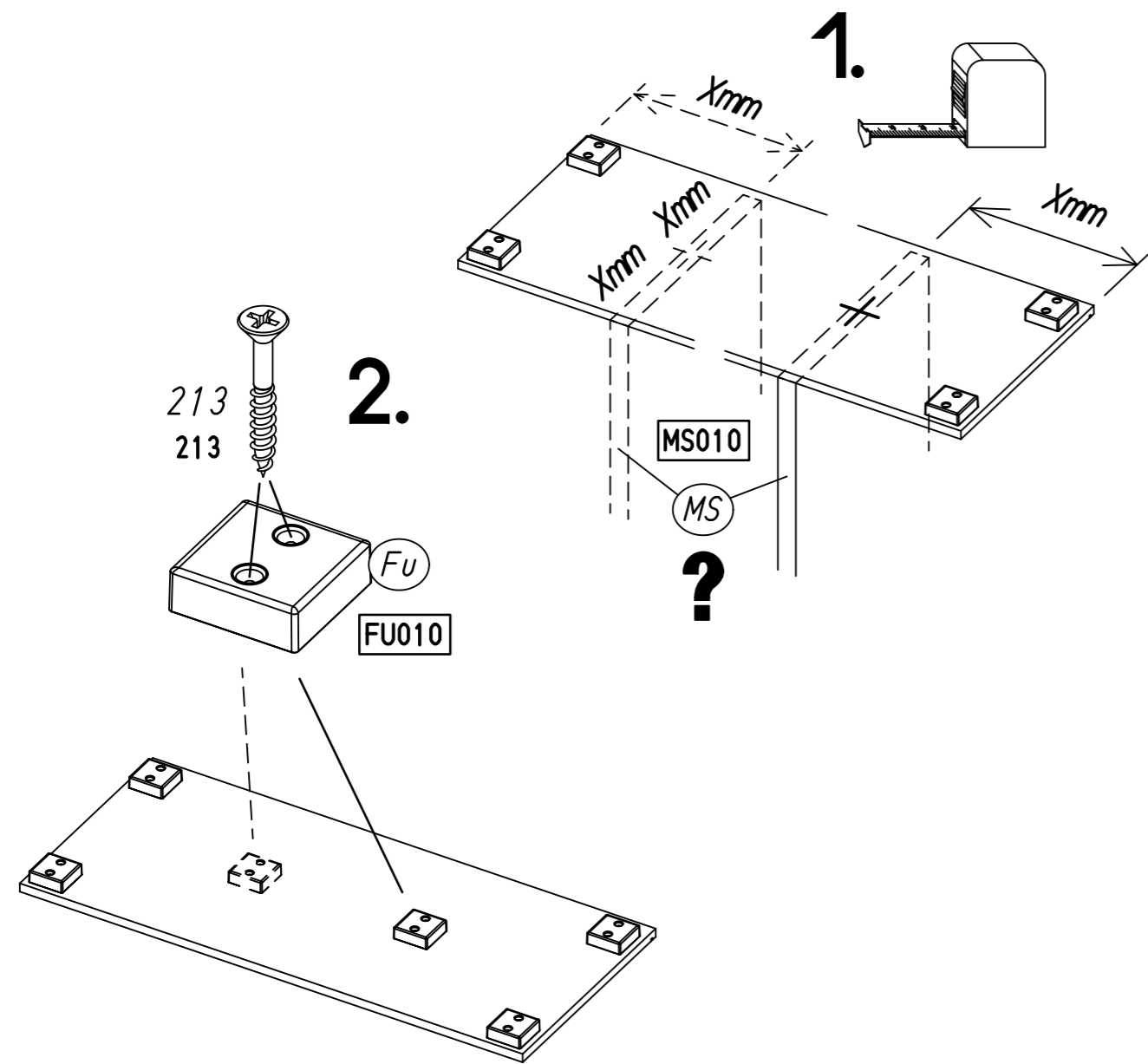
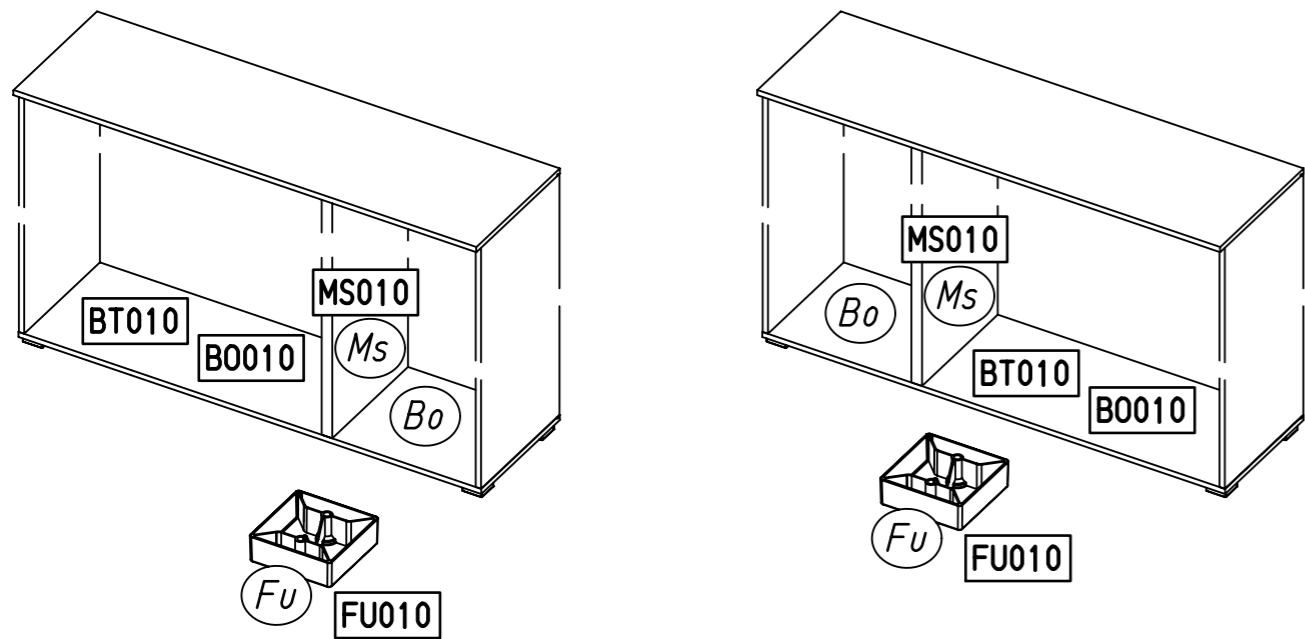
rauch



2.



3.



4.

