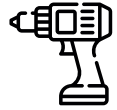
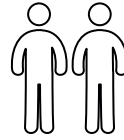
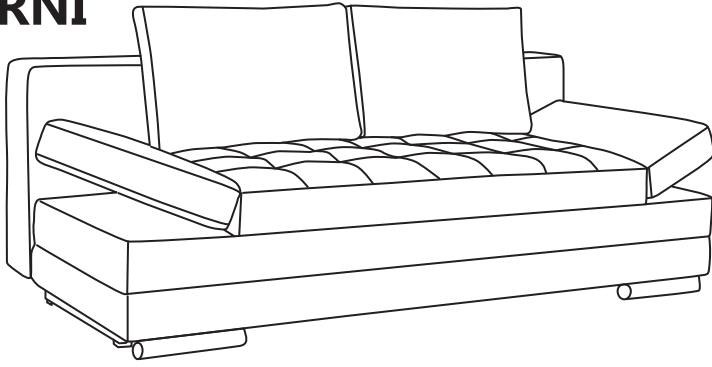
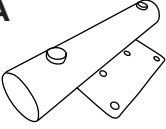


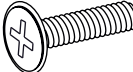
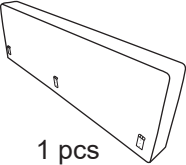
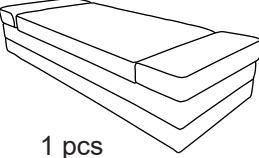


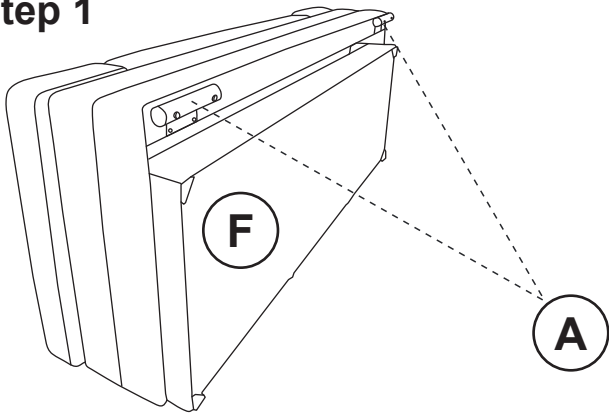
BARNI



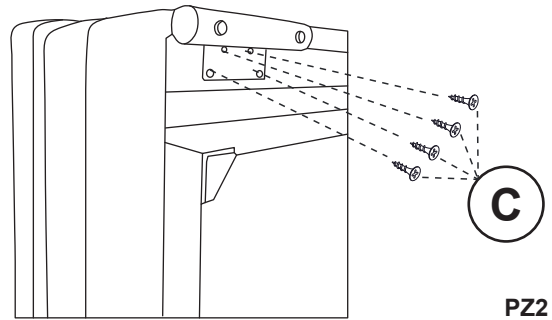
PZ2, PH3

A  2 pcs	B 5x45mm  7 pcs	C 5x30mm  8 pcs	D 6x20mm  2 pcs	E  1 pcs	F  1 pcs
--	---	---	---	---	--

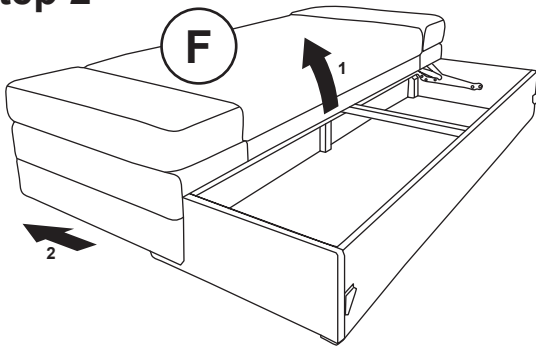
Step 1



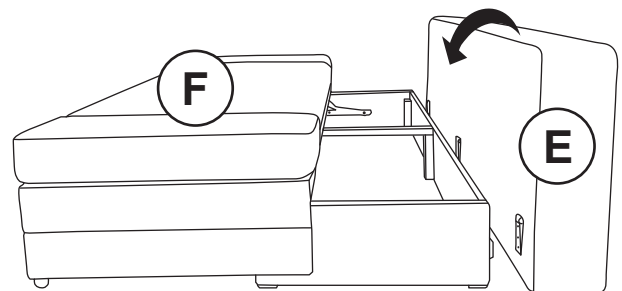
1a



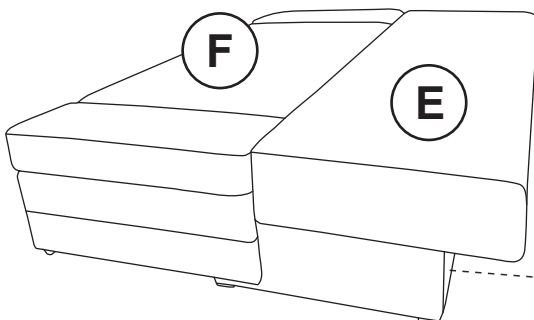
Step 2



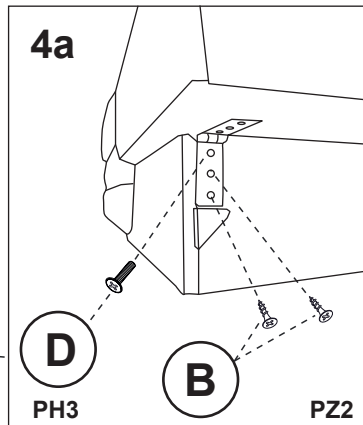
Step 3



Step 4



4a



4b

