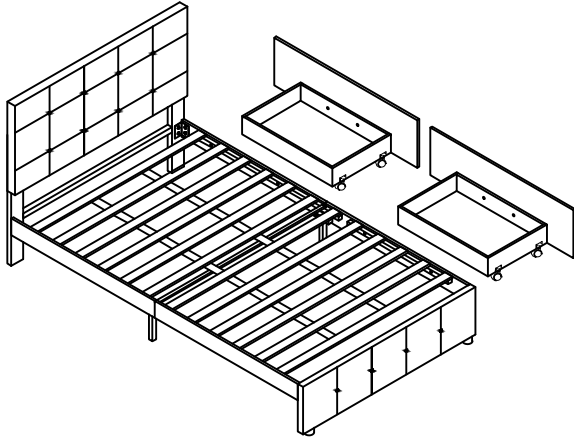


ASSEMBLY INSTRUCTION

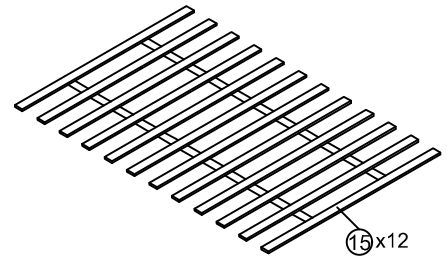
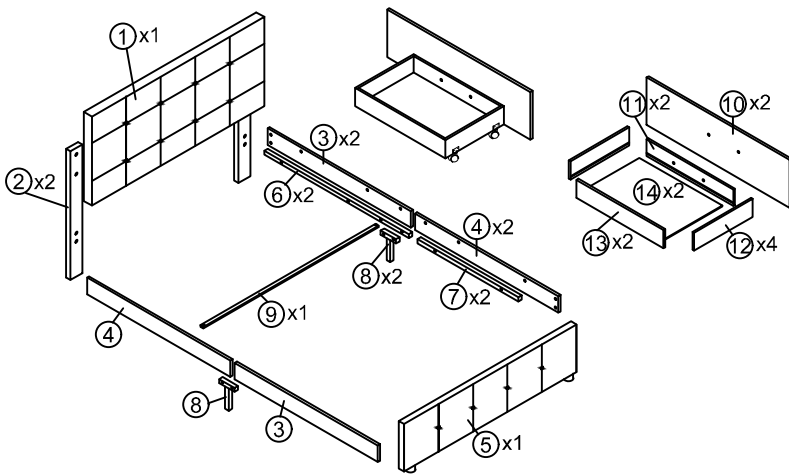












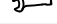





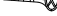
TIPS

1. Please read the instructions fully before assembly. These instructions include important information which could ensure correct assembly. We have been working on providing high quality products for you. However, in the rare instance that your product is defective, missing parts or there are some issues, please don't hesitate to contact our customer service to submit parts requirements, assembly suggestion, or warranty claims, and we will give the best solution as soon as possible. If necessary, we need you to provide some more clear pictures of the issue.

2. Insert the screws in holes and tighten the screws, but not too tight, 70%~80% is ok, finally tighten all the screws. If some issues happened that some screws can not target to the hole or some parts are difficult to install, please adjust the tightness of the screws.

3. 2 people are recommended to finish

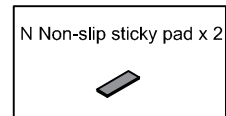
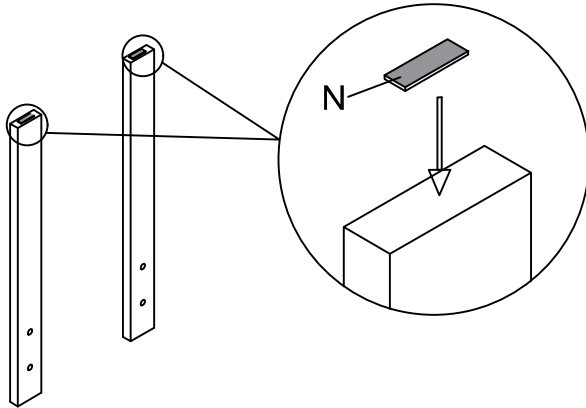


Parts List			Hardware List		
NO	ITEM	QTY	NO	ITEM	QTY
1	Head board	1	A	Allen Key 	1
2	Head board legs	2	B	Bolts (M8x50mm) 	4
3	Siderails	2	C	Bolts (M8x16mm) 	16
4	Siderails	2	D	Bolts (M8x40mm) 	18
5	Foot board	1	E	Washer 	4
6	Side rails support bar	2	F	Drawer wheel 	8
7	Side rails support bar	2	G	"7" Connector 	4
8	Side rails support legs	2	H	Nuts 	2
9	Cross bar	1	I	Nails (M4x30mm) 	4
10	Drawer outer board	2	J	Bolts (M8x30mm) 	4
11	Drawer board	2	K	Spanner 	1
12	Drawer board	4	L	Nails (M4x40mm) 	2
13	Drawer board	2	M	Legs 	2
14	Drawer bottom board	2	N	Non-slip sticky pad 	2
15	Slats	12	O	Drawer fittings 	16
			P	Drawer fittings 	16
			Q	Nails (M3x16mm) 	24

Attention: Do not tighten the screws before completing the entire installation. If you have any difficulty with the installation process, please feel free to contact us.

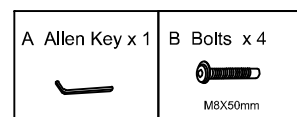
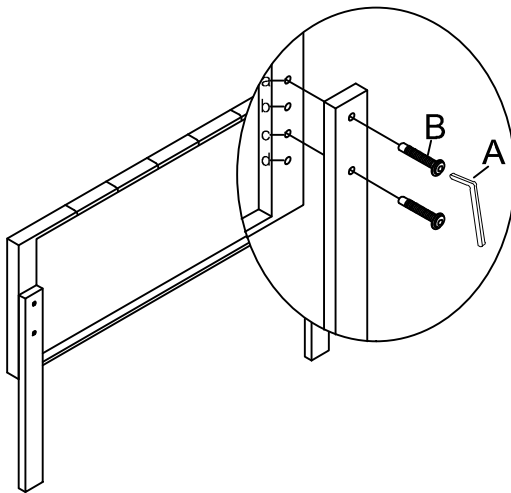
Step 1 x2

Stick the Non-slip sticky pad N to the Headboard legs ②.



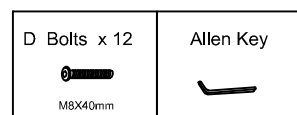
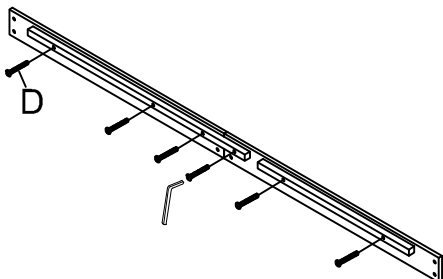
Step 2 x2

Fix the Headboard legs ② to the Headboard ① with Bolt B by using Allen key A. You can chose the hole a and c ,or b and d.



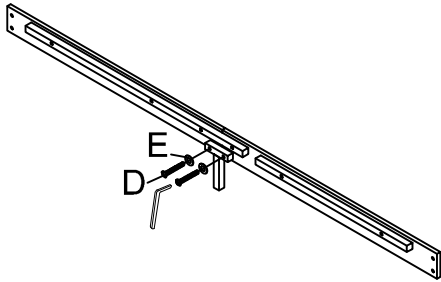
Step 3 x2




Connect Siderails ③ and ④ to Siderail support bar ⑥ and ⑦ with Bolts D by using Allen key A.



Step 4 x2

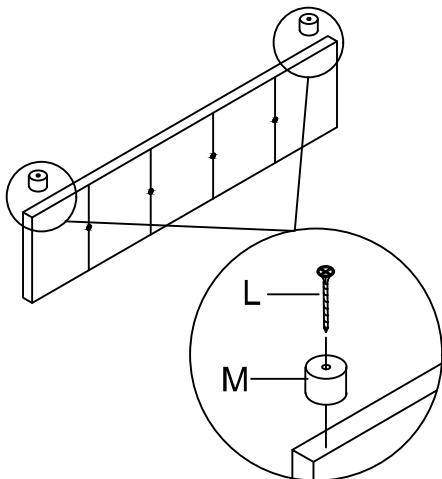
Fix the Siderail support leg ⑧ to the assembled siderail with Bolt D and Washer E by using Allen key A.






D Bolts x 4  M8X40mm	E Washer x 4 	Allen Key 
--	---	--

Step 5

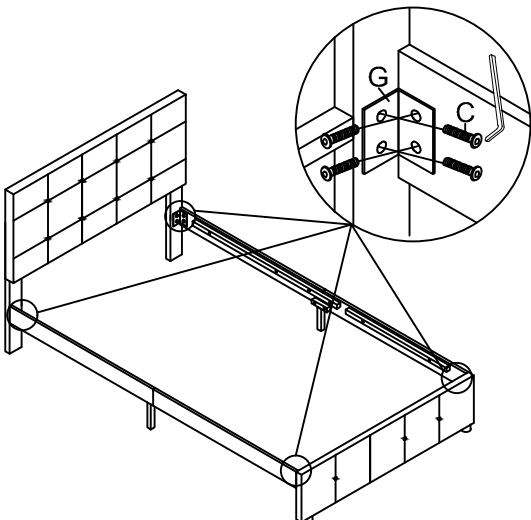
Fix the legs M to the Footboard ⑤ with Nails L by using Electric drill or Screw driver.



L Nails x 2  M4X40mm	M Legs x 2 	
---	---	---

Step 6

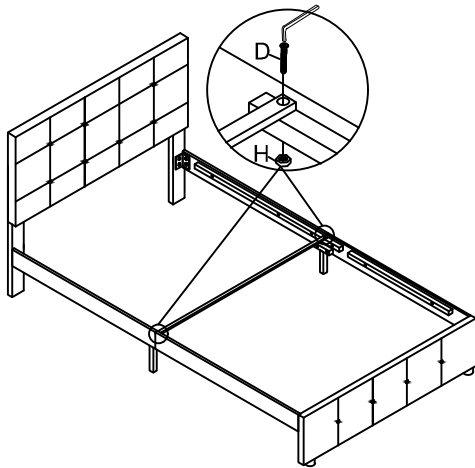
Fix the assembled siderail to the Headboard legs ② and footboard ⑤ with Bolt C and "7" Connector by using Allen key A.



C Bolts x 16  M8X16mm	G "7" Connector x 4 	Allen Key 
---	--	--

Step 7

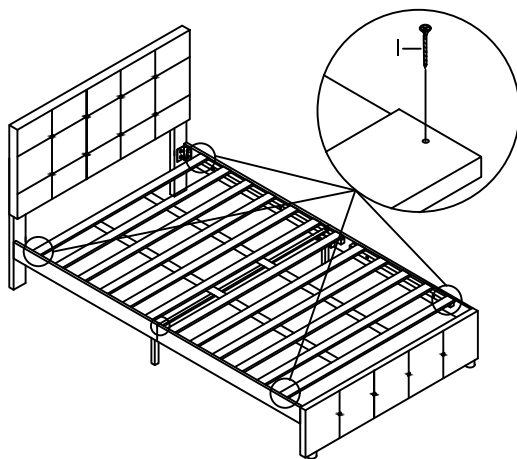
Fix the Cross bar ⑨ to the Siderails bar with Bolt D and Nuts H by using Allen key A.



D Bolts x 2 M8X40mm	H Nuts x 2	Allen Key
------------------------	------------	-----------

Step 8

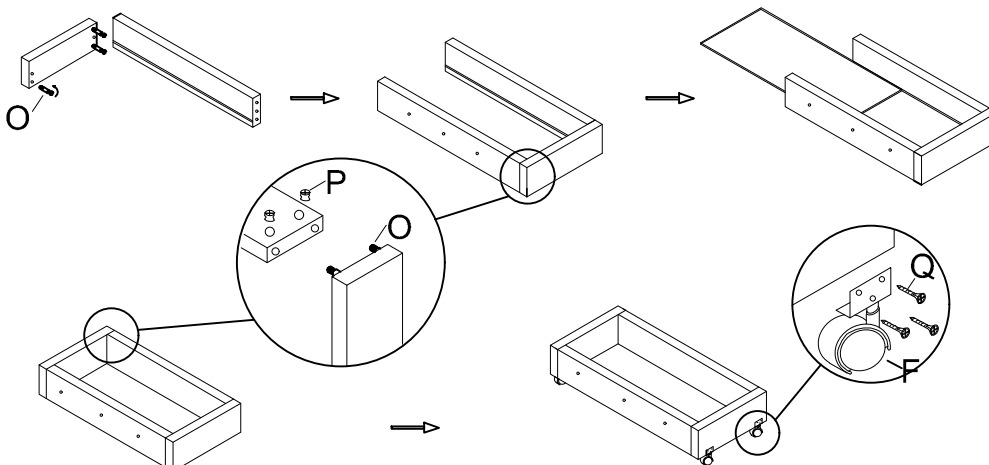
Fix the Slats to the Siderail support bar with Nail I by using Electric drill or Screw driver.



I Nails x 4 M4X30mm	
------------------------	--

Step 9 x2

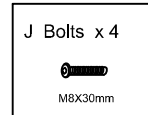
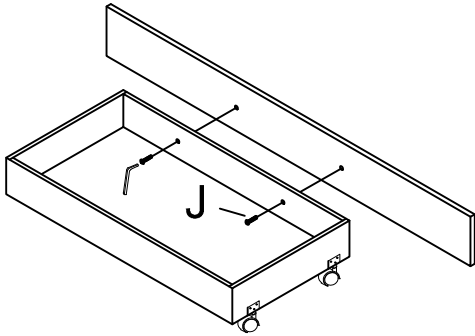
Assembled the Drawer with Drawer fittings P and O. Fix the Drawer wheel F with Nails Q by using Electric drill or Screw driver.



O Drawer fittings x 16	P Drawer fittings x 16	Q Nails x 24 M3X16mm	F Drawer wheel x 8	
------------------------	------------------------	-------------------------	--------------------	--

Step 10 x2

Fix Drawer outer board ⑩ to the drawer with Bolt J by using Allen key A.



Step 12

Push the drawers into the bed, then assembly is finished.

