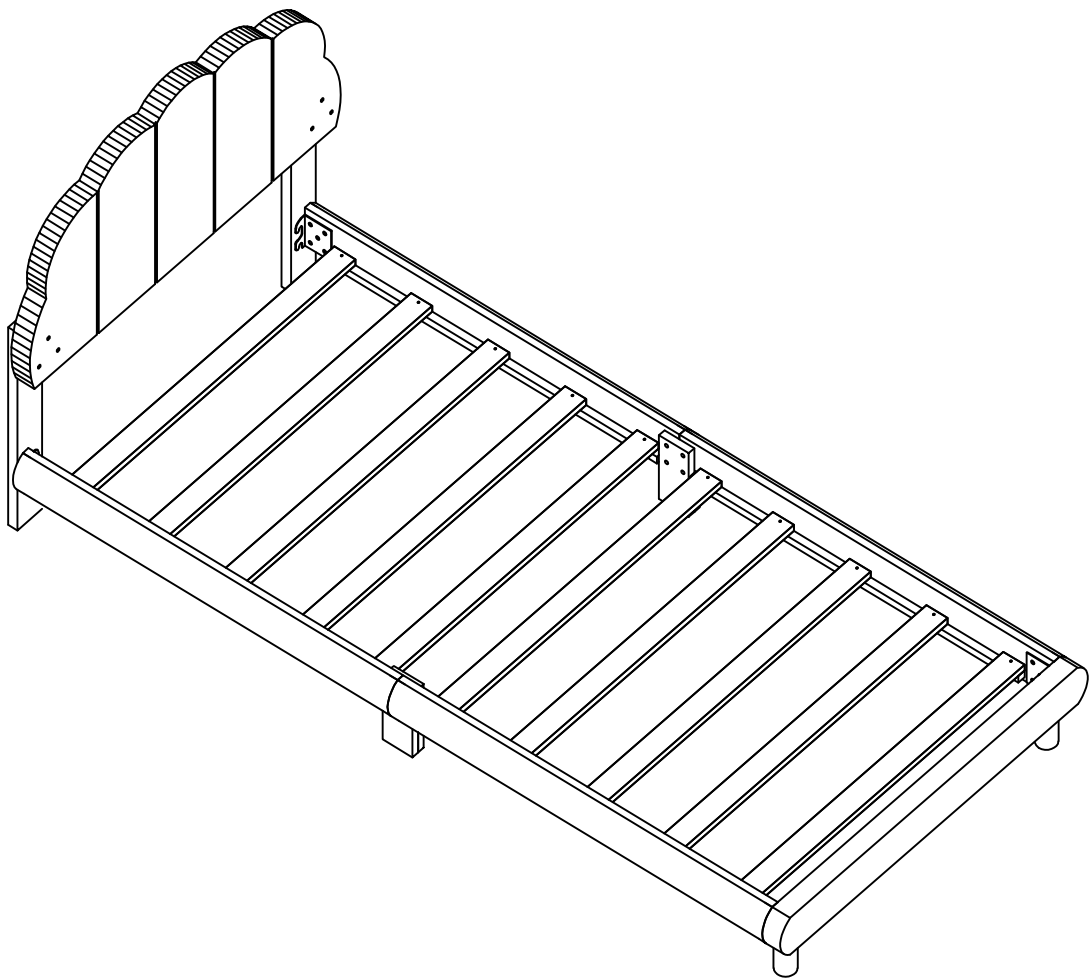
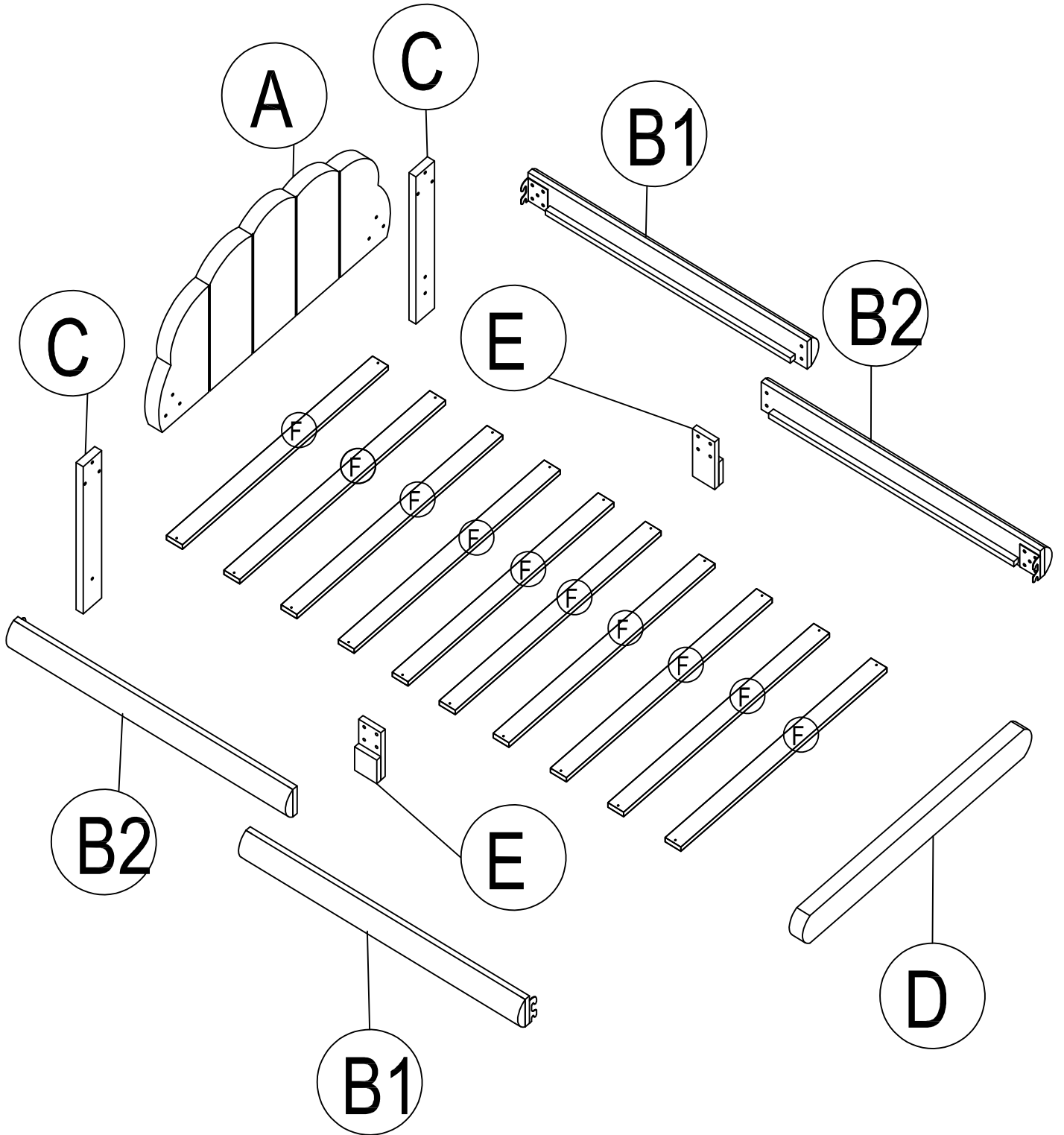


ASSEMBLY INSTRUCTION

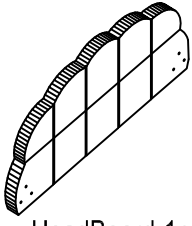
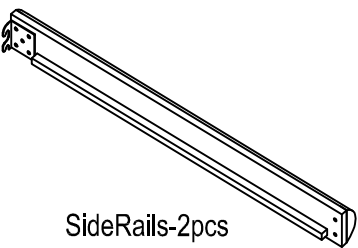
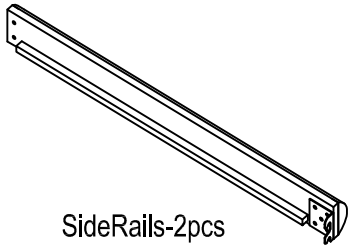
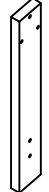
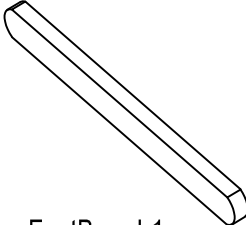
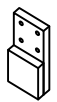
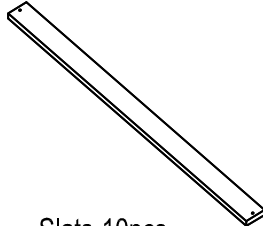
SKU CODE: (WF325880)



ASSEMBLY INSTRUCTION

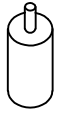


Part List(WF325880)

<p>A</p>  <p>HeadBoard-1pcs</p>	<p>B1</p>  <p>SideRails-2pcs</p>	<p>B2</p>  <p>SideRails-2pcs</p>
<p>C</p>  <p>Slats -2pcs</p>	<p>D</p>  <p>FootBoard-1pcs</p>	<p>E</p>  <p>FootBoard-2pcs</p>
<p>F</p>  <p>Slats-10pcs</p>		

Hardware List(WF325880)

1



Wood Feet - 2pcs

2



Ø1/4" x 40 mm
Screws 6pcs

3



Ø1/4" x 30 mm
Screws 16pcs

4



M4 x 30 mm
Wood Screws 20pcs

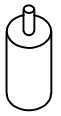
5



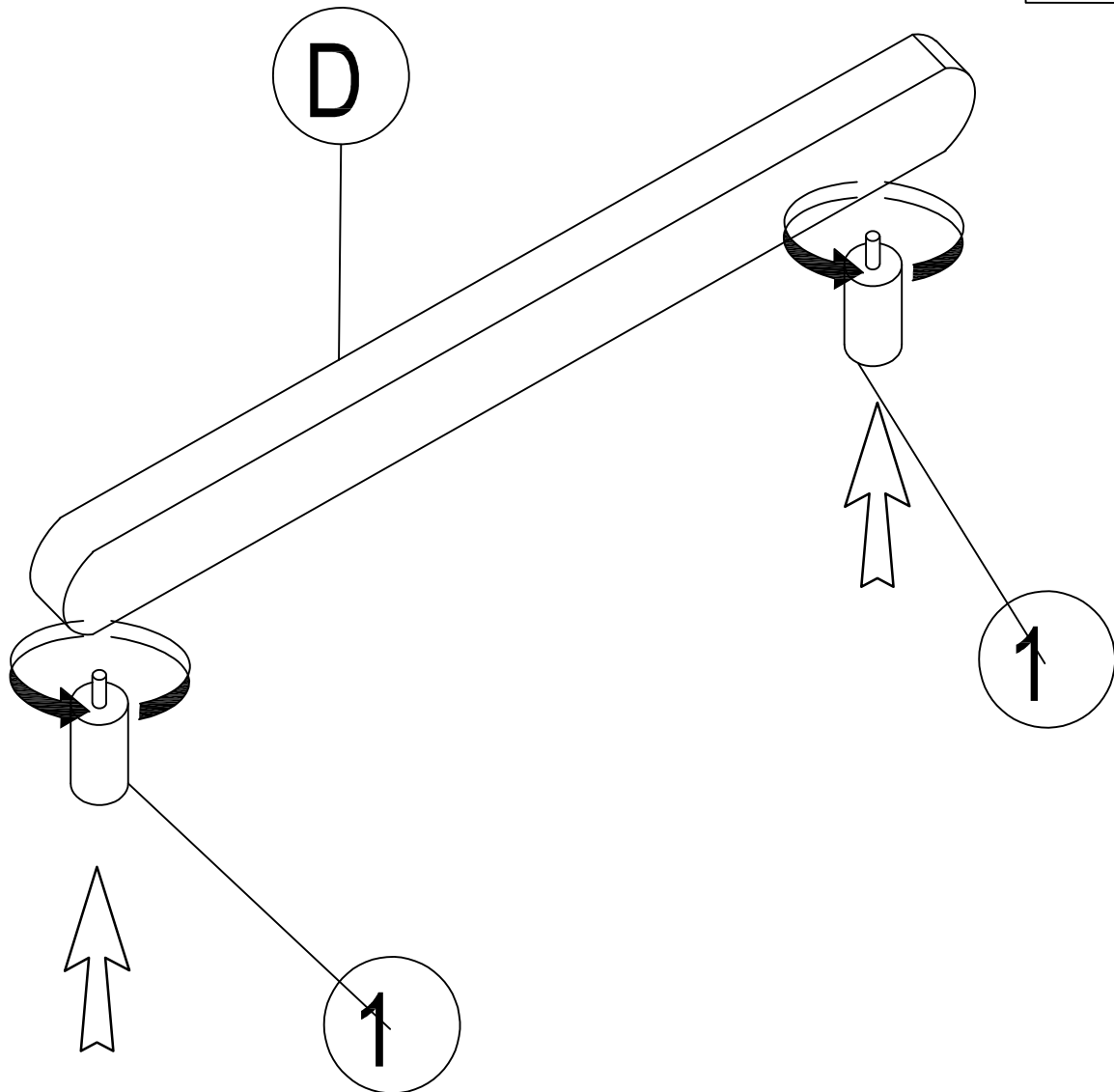
Allen Key 1pcs

STEP 1: Following below illustration

1



Wood Feet - 2pcs



STEP 2:

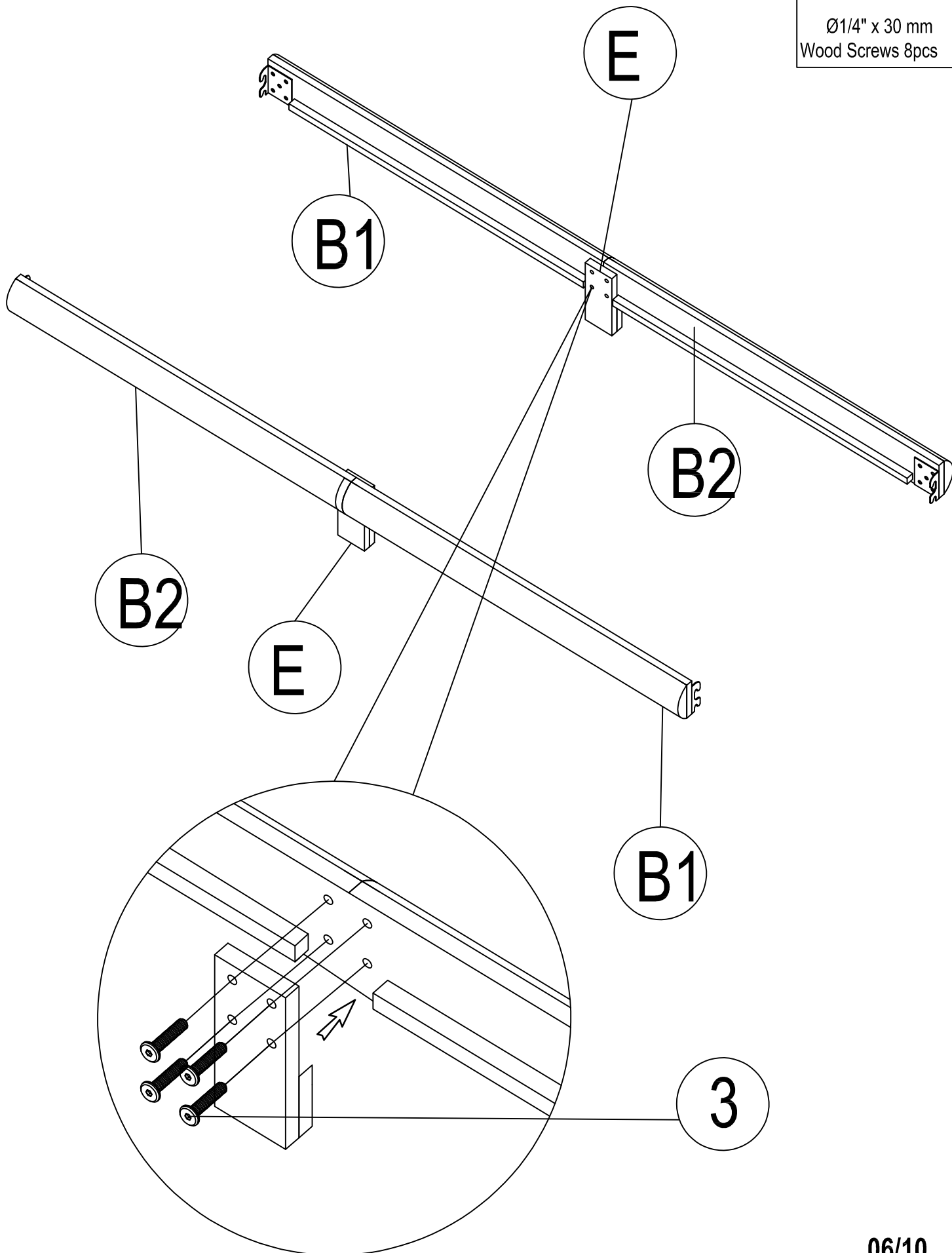
According to the illustration below Use hardware number 3 for assembly

B1, B2, B3, B4. Look at the detail view for more details

3



Ø1/4" x 30 mm
Wood Screws 8pcs



STEP 3:

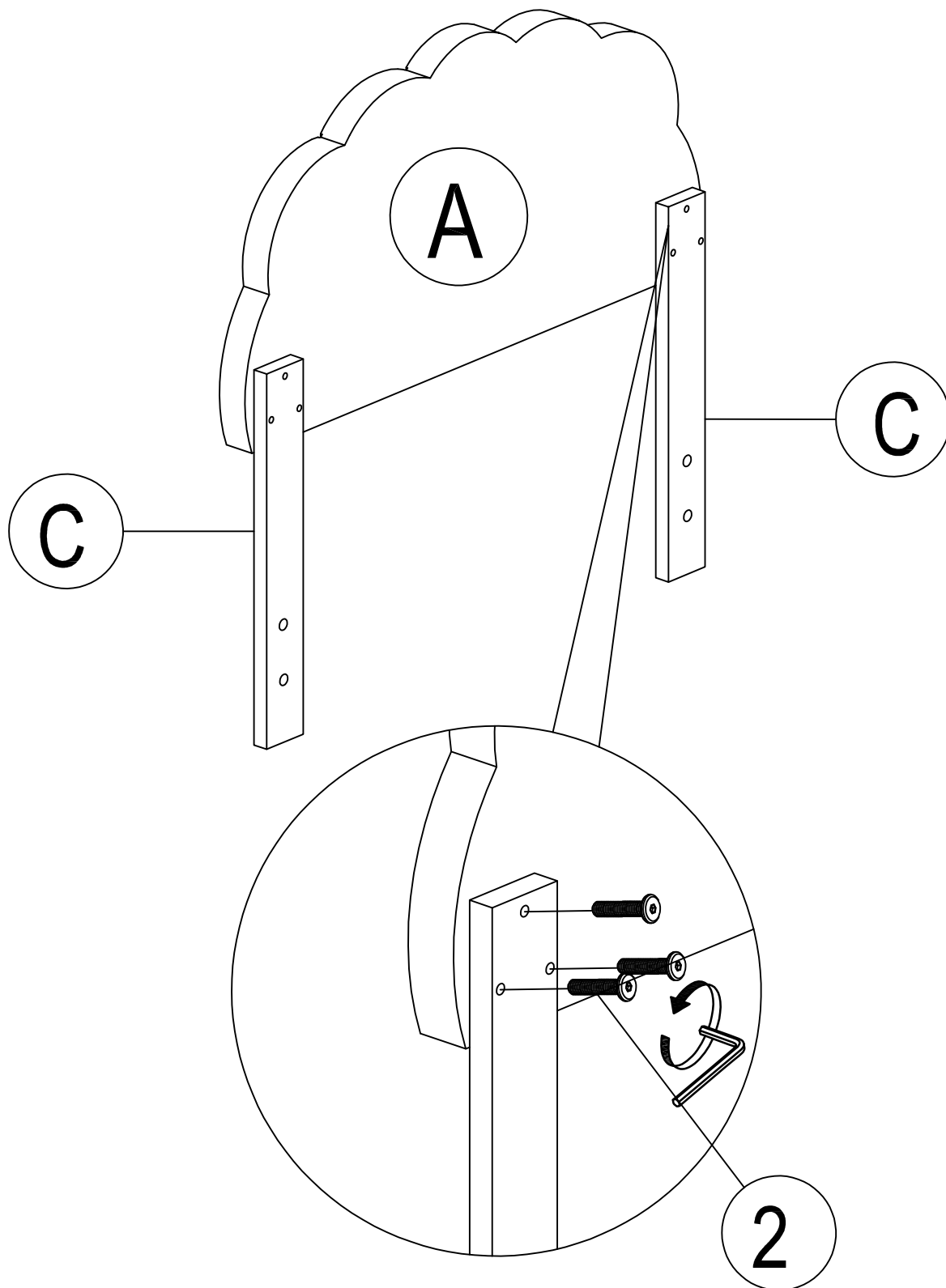
According to the illustration below Use hardware number 2 to assemble

bars A and C. Look at the detailed view for more details

2



Ø1/4" x 40 mm
Wood Screws 6pcs



STEP 4:

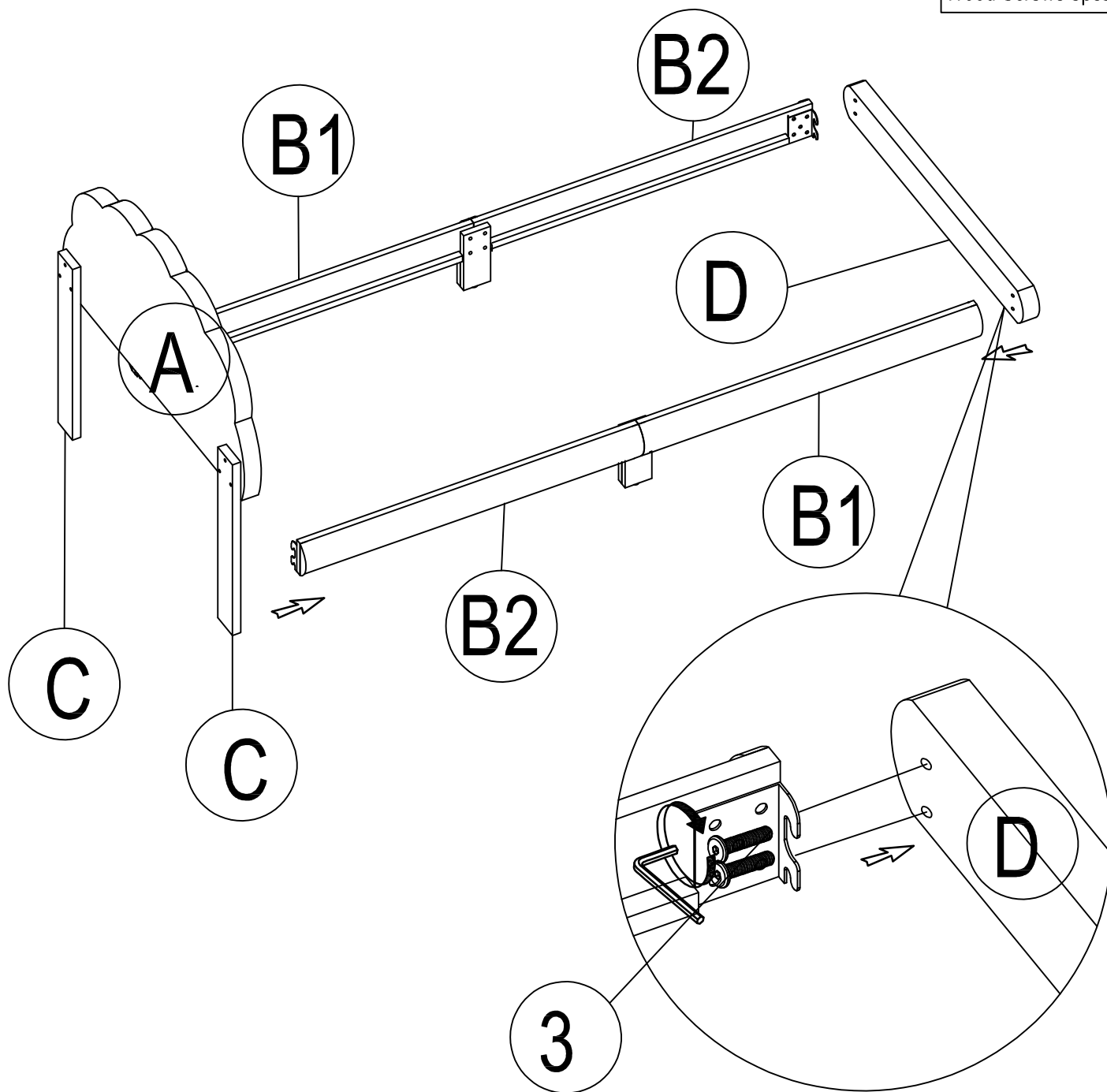
According to the illustration below Use digital hardware 3 to assemble

the bar in step 1 and step 2. Look at the detailed view for more details

3



Ø1/4" x 30 mm
Wood Screws 8pcs

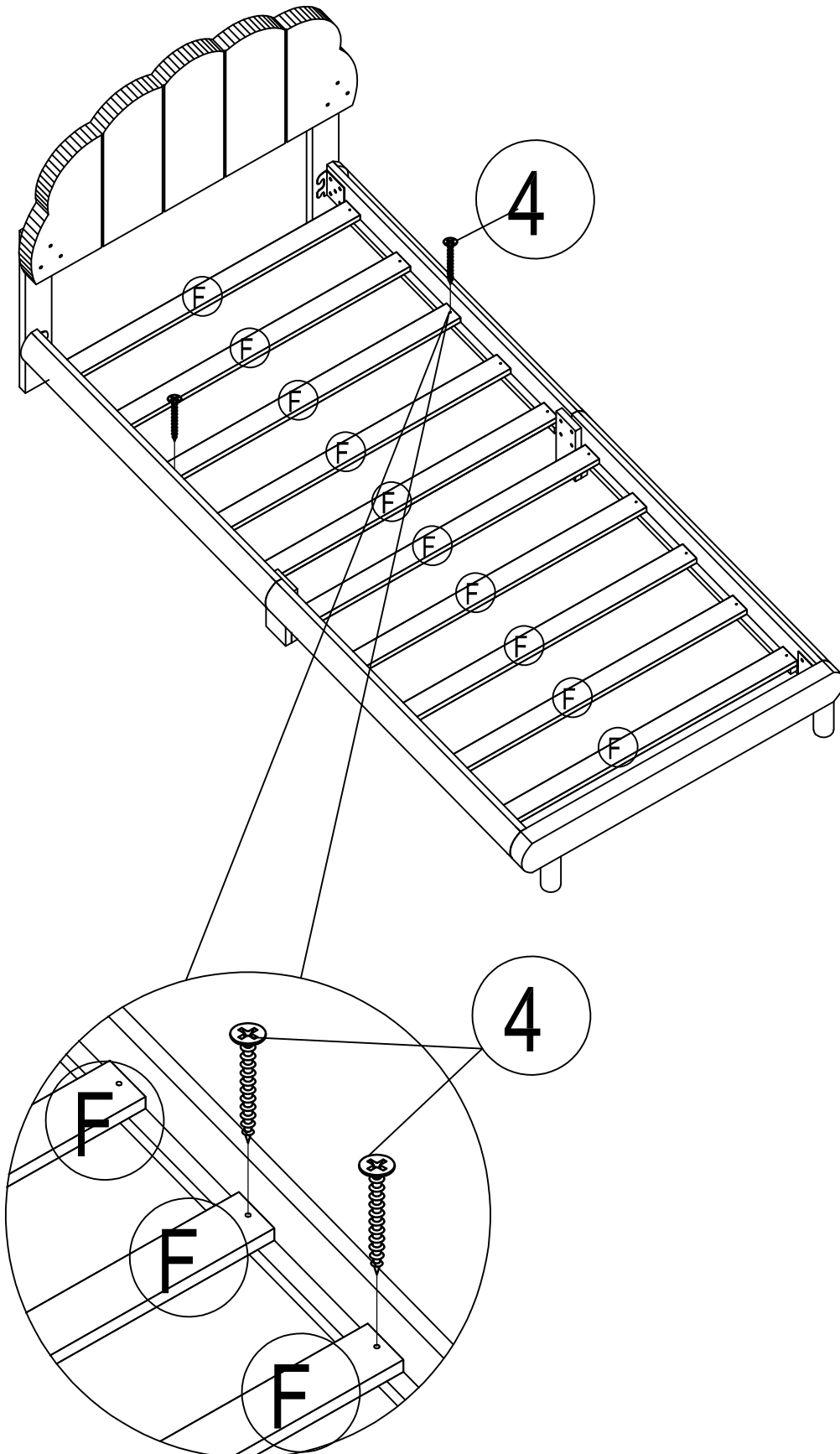


STEP 5: Following below illustration:

4



M4 x 30 mm
Wood Screws 20pcs



FINISH

