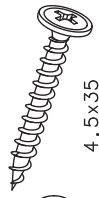
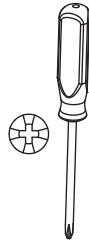


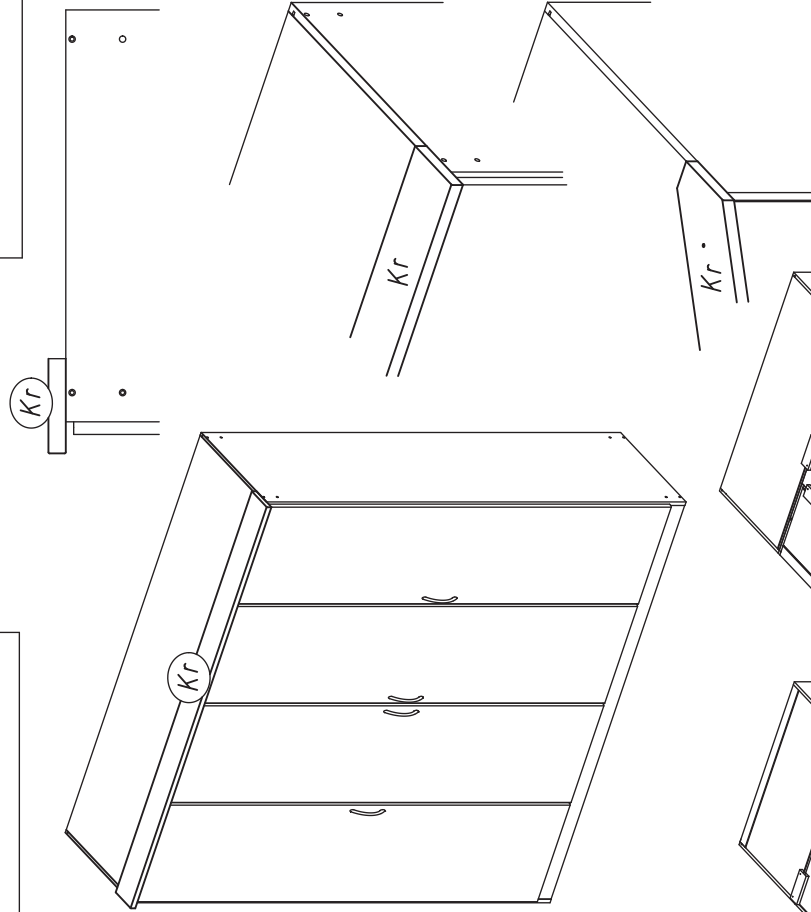
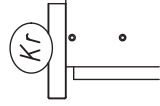
1.

ME203_13



214

4.5x35



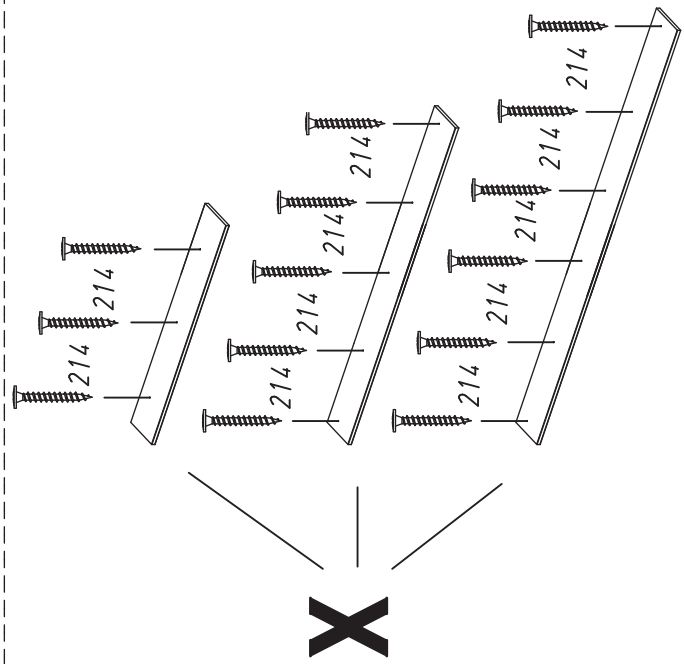
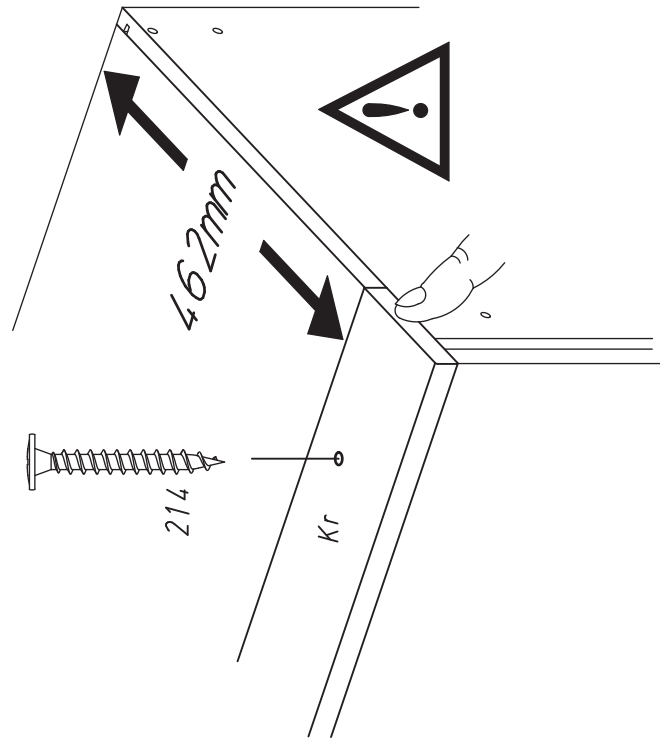
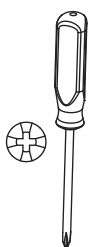
2.

1

X 214

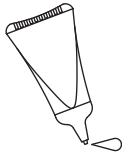


4.5x35



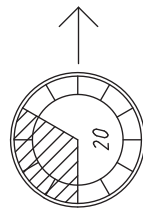
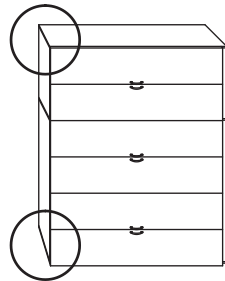
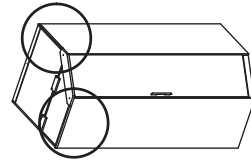
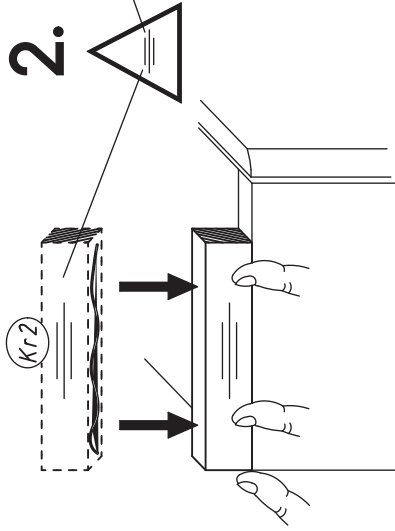
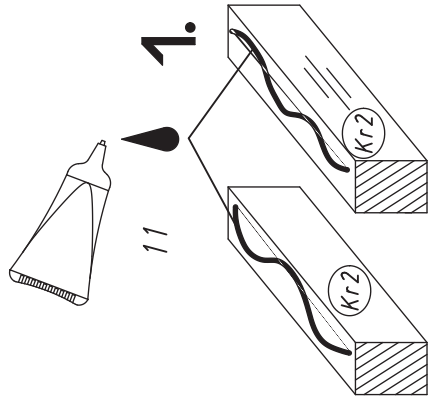
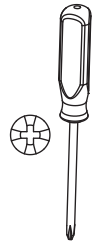
ME203

4.

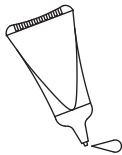


11

1



3.

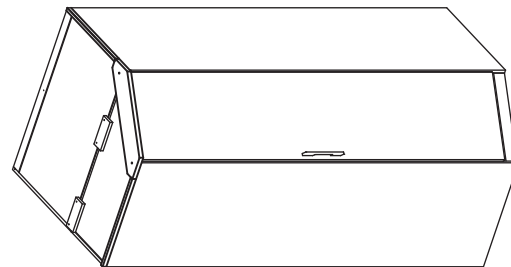
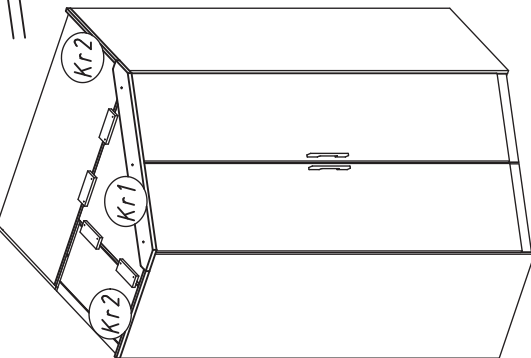
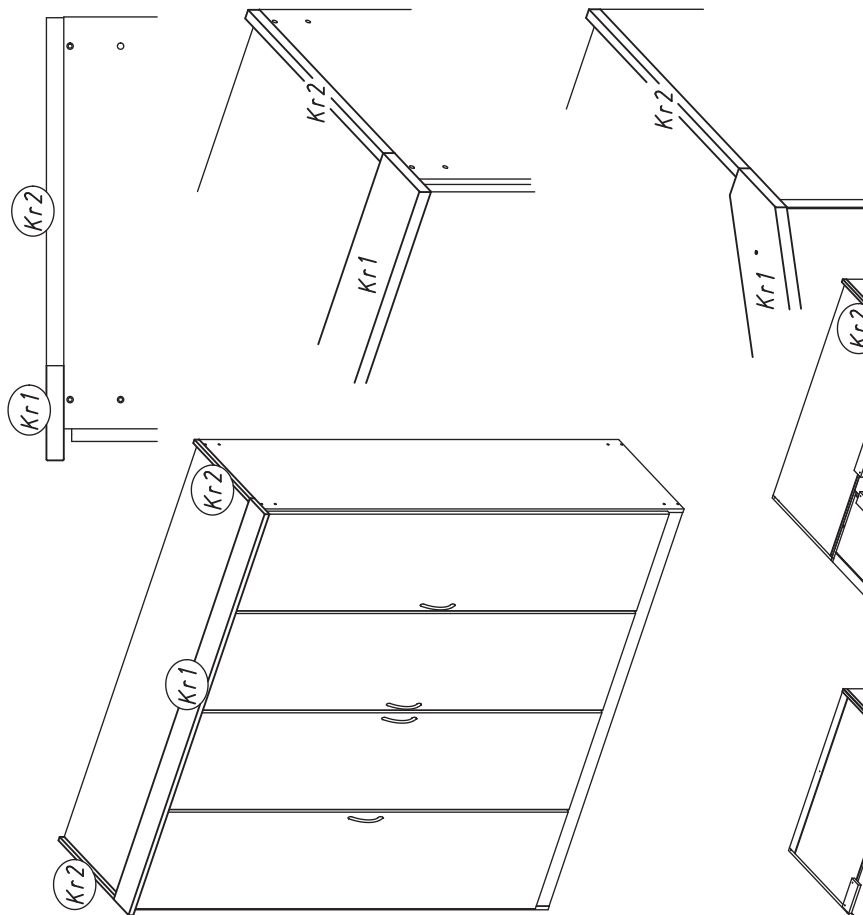


11



214

4.5x35



5.

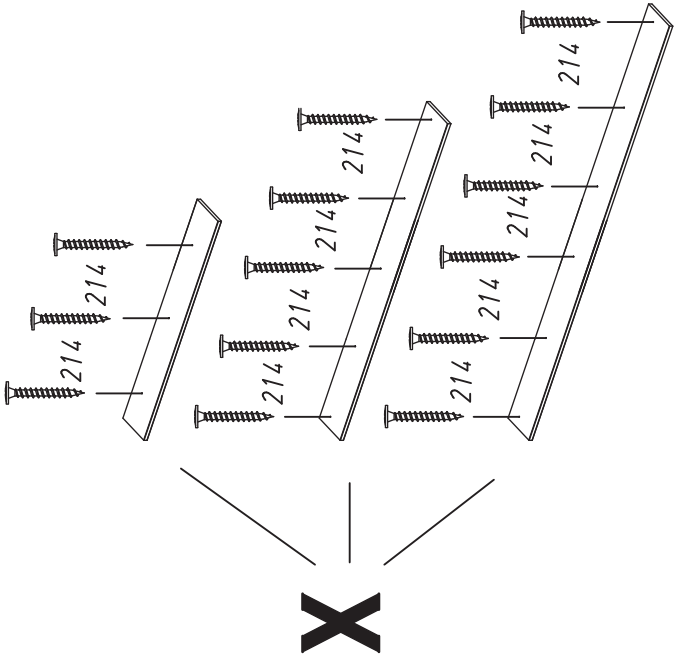
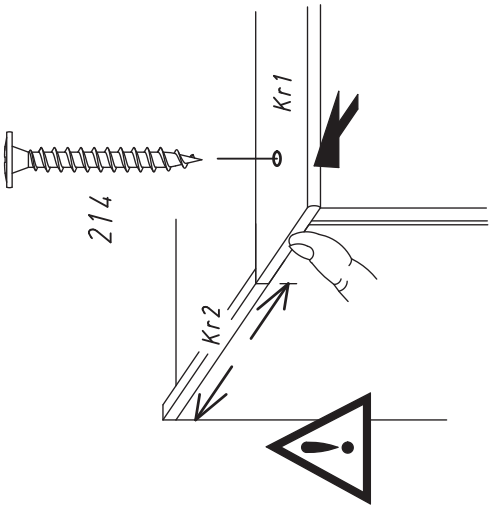
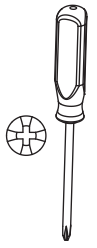
2

X

214

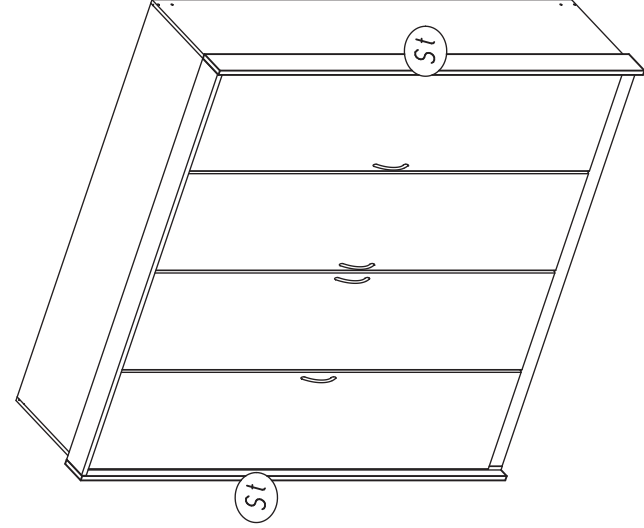


4.5x35

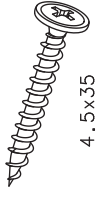


ME203

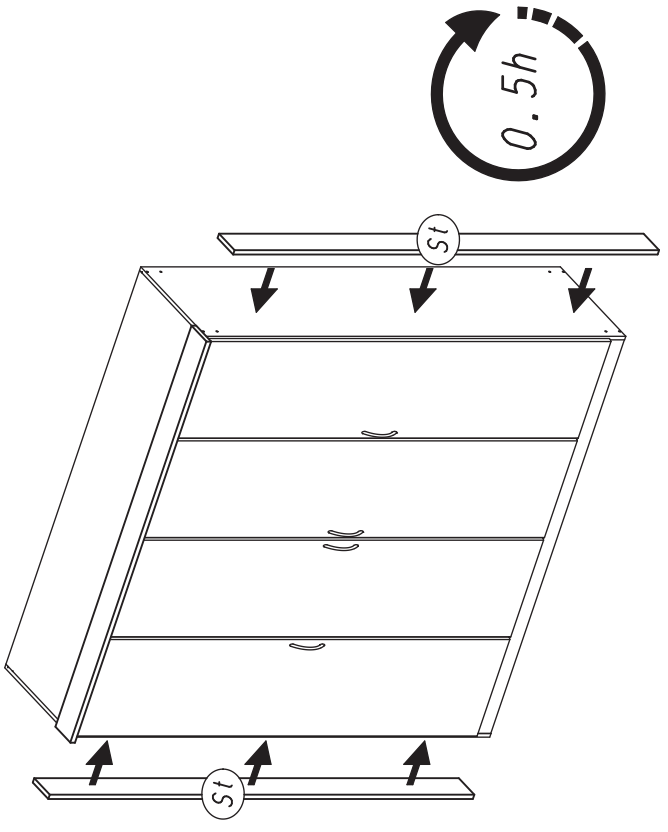
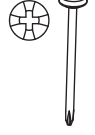
6.



214



4.5x35



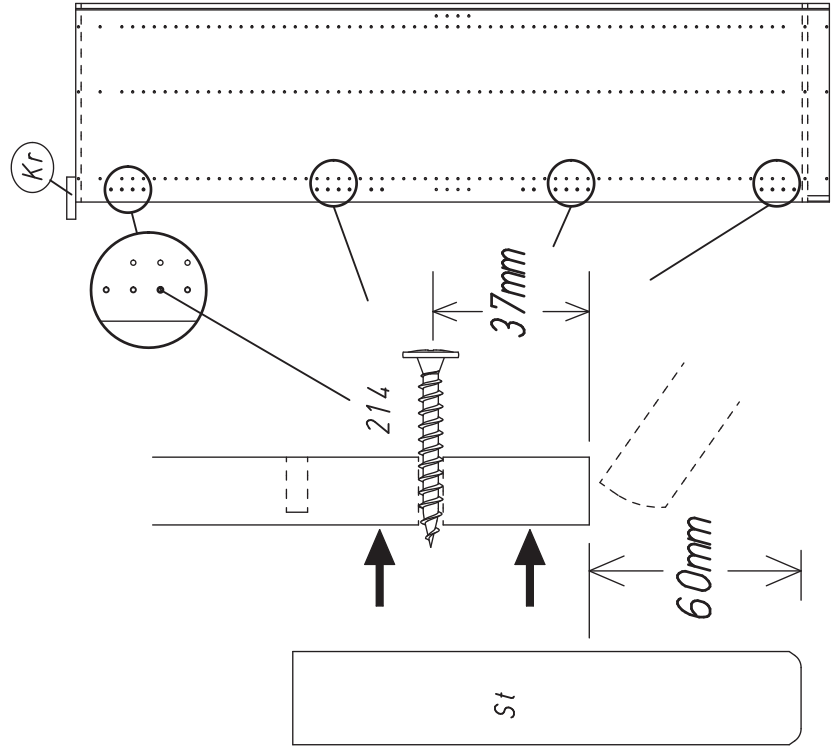
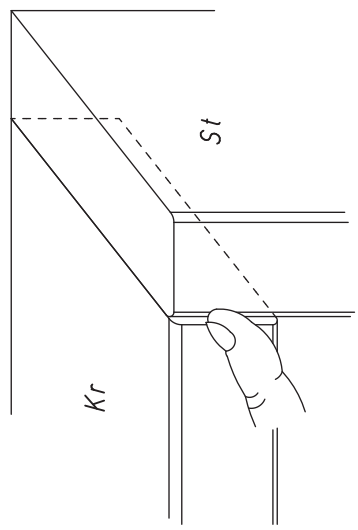
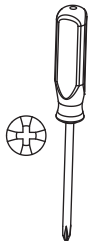
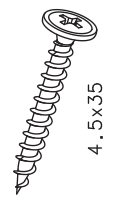
0.5h

ME203

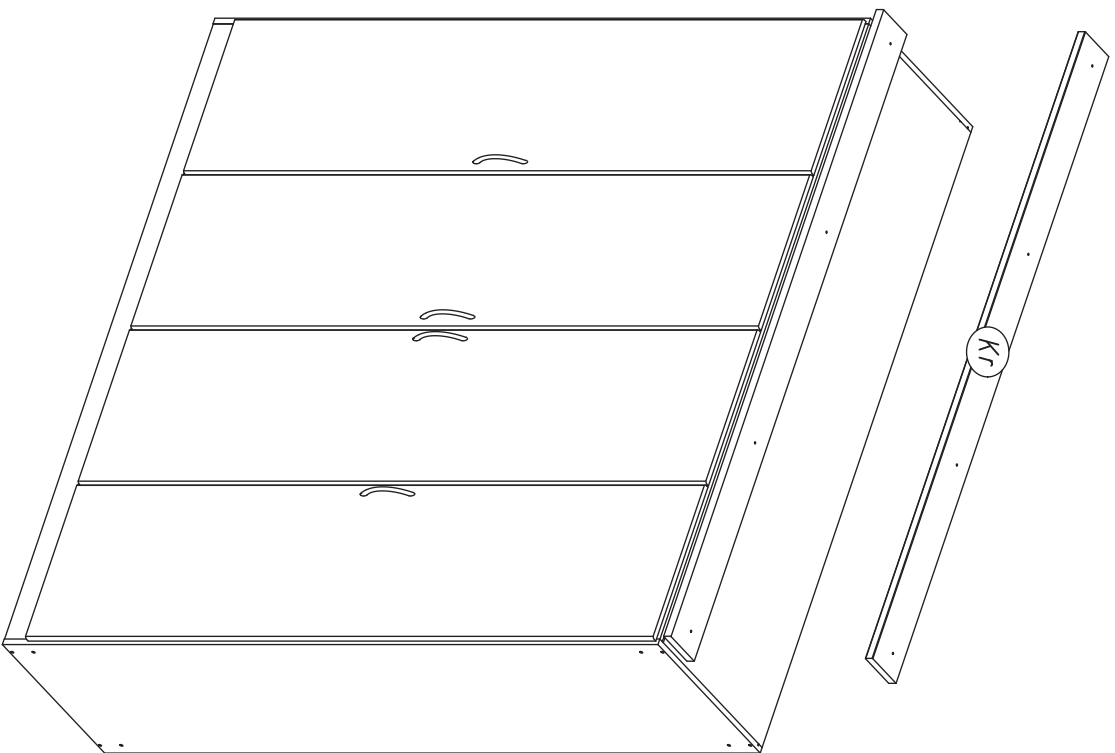
1

8X

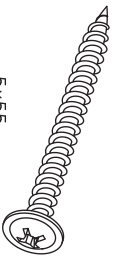
214



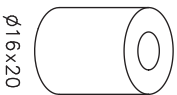
MZ049_02



1057



626



1.

2.

