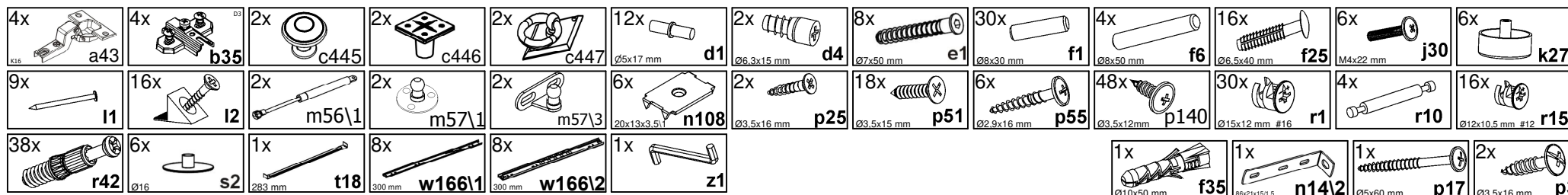
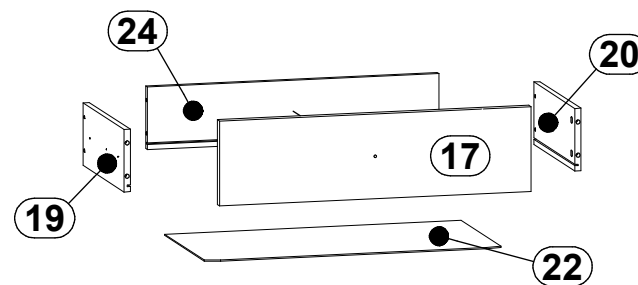
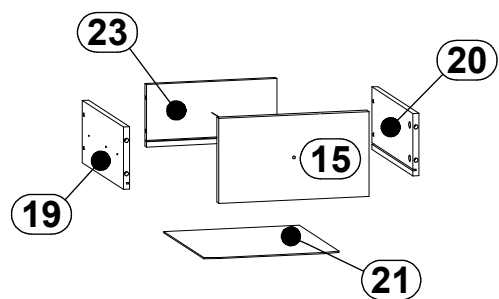
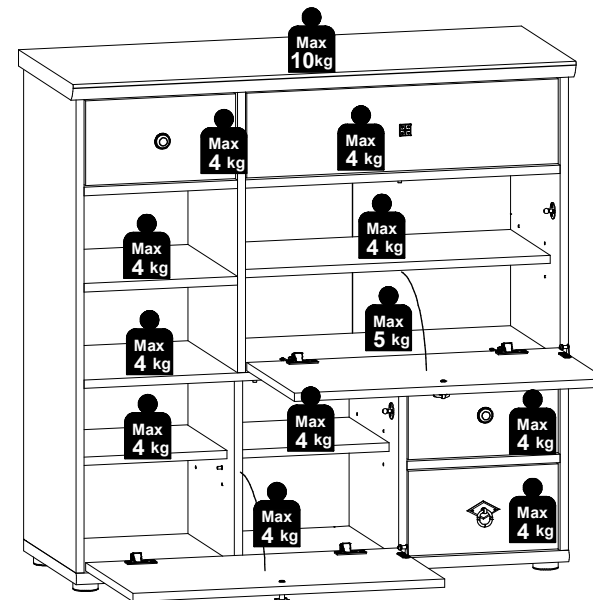
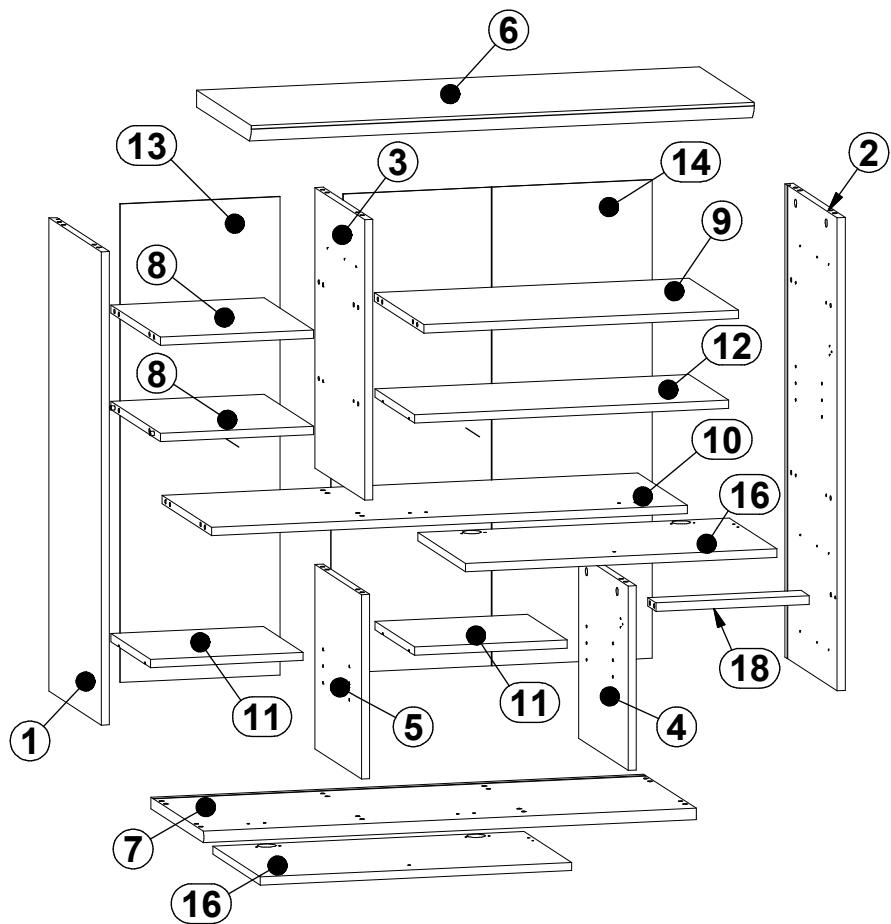
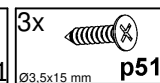
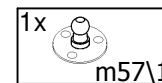
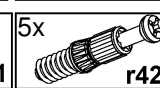
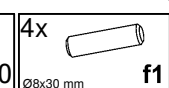
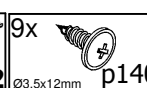
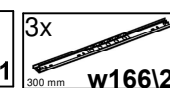
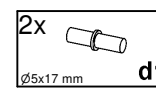
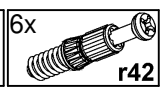
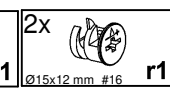
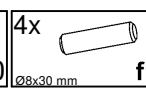
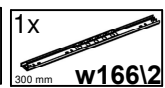
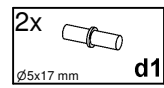
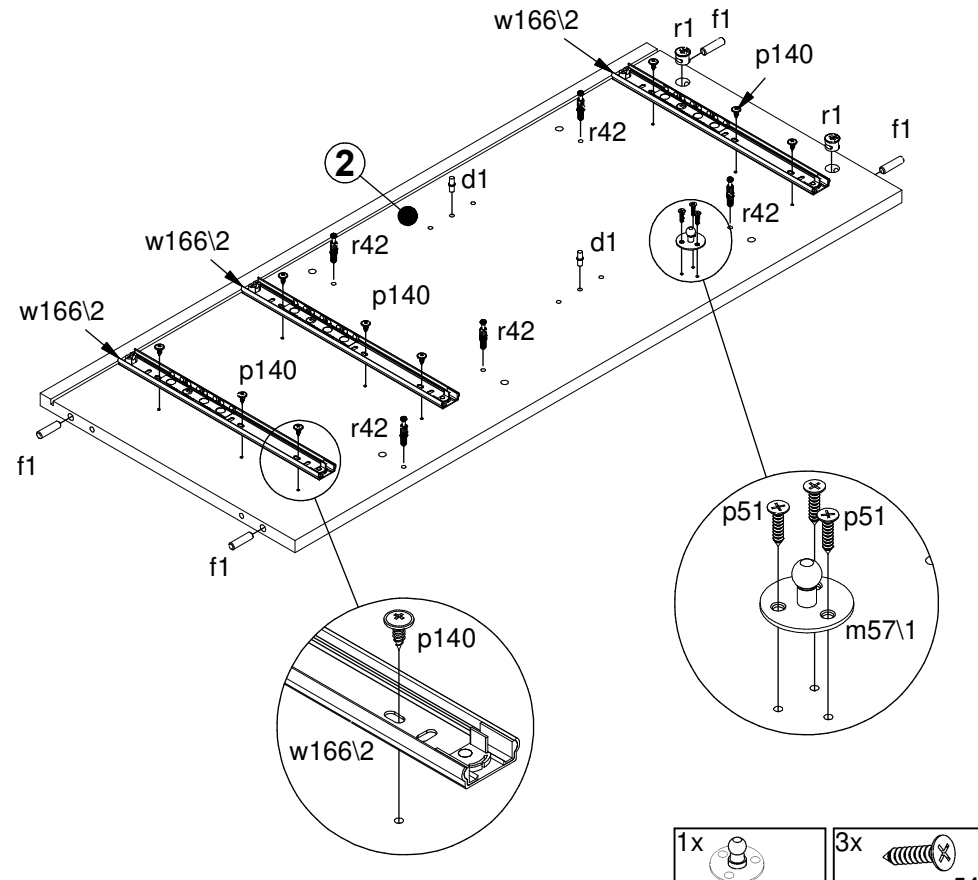
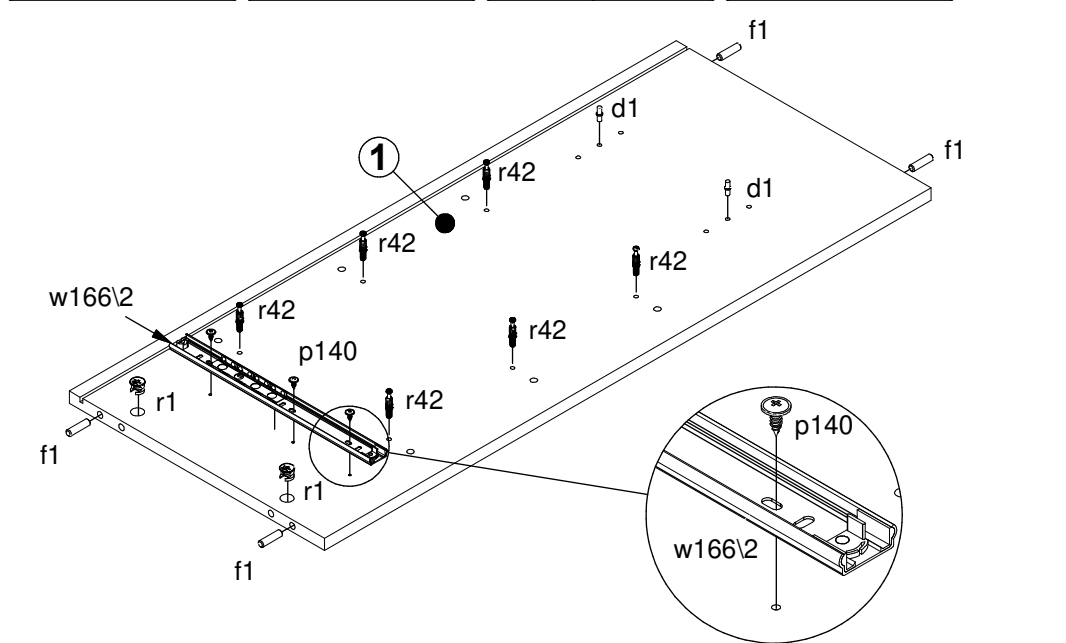
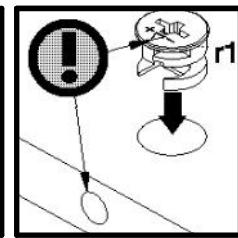
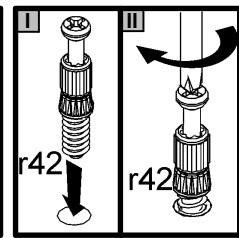
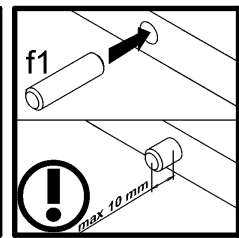
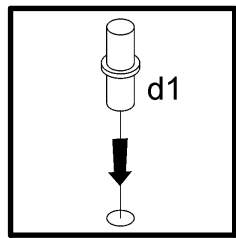
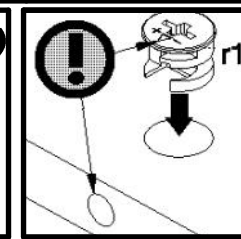
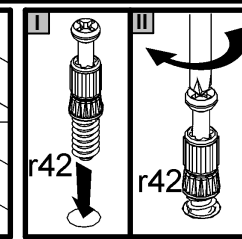
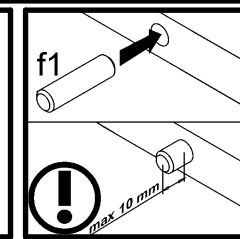
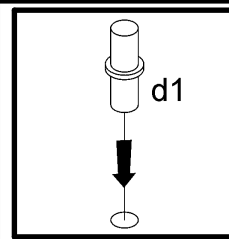
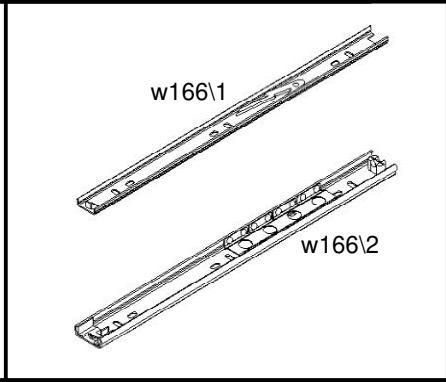
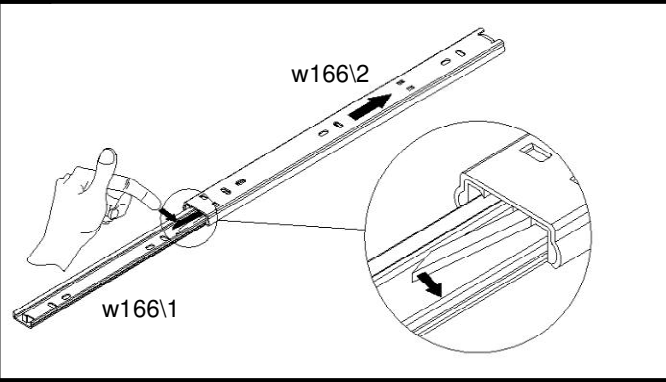
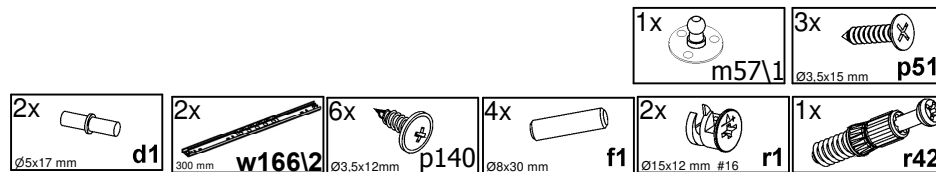
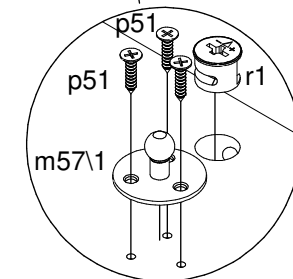
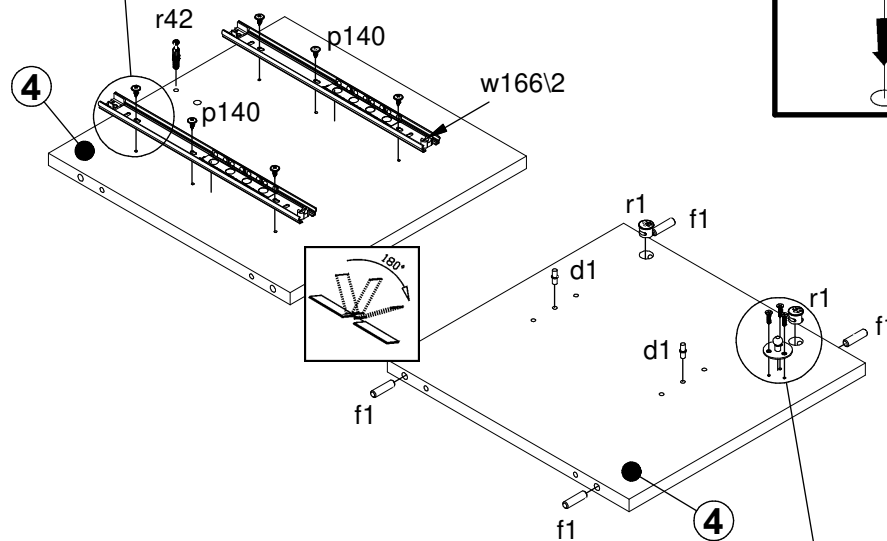
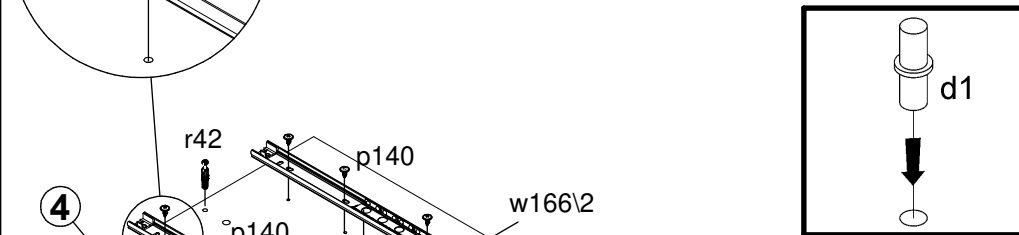
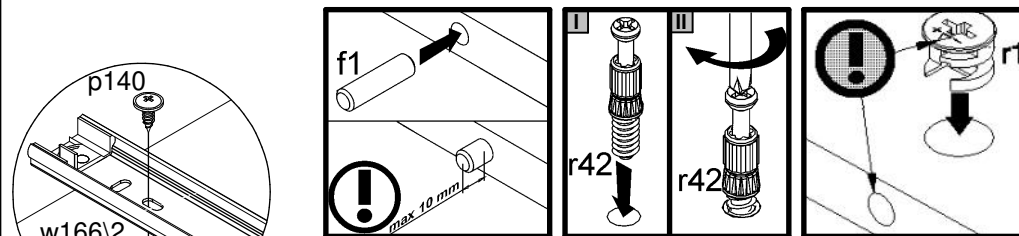
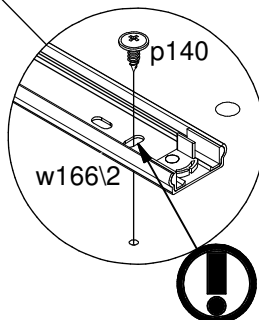
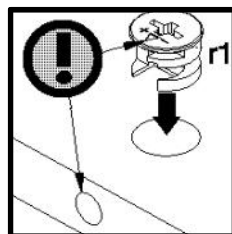
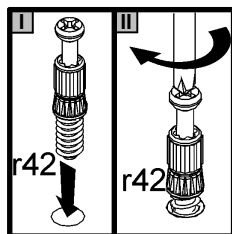
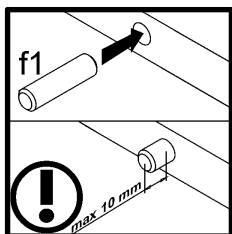
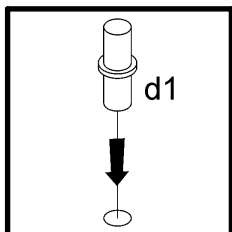
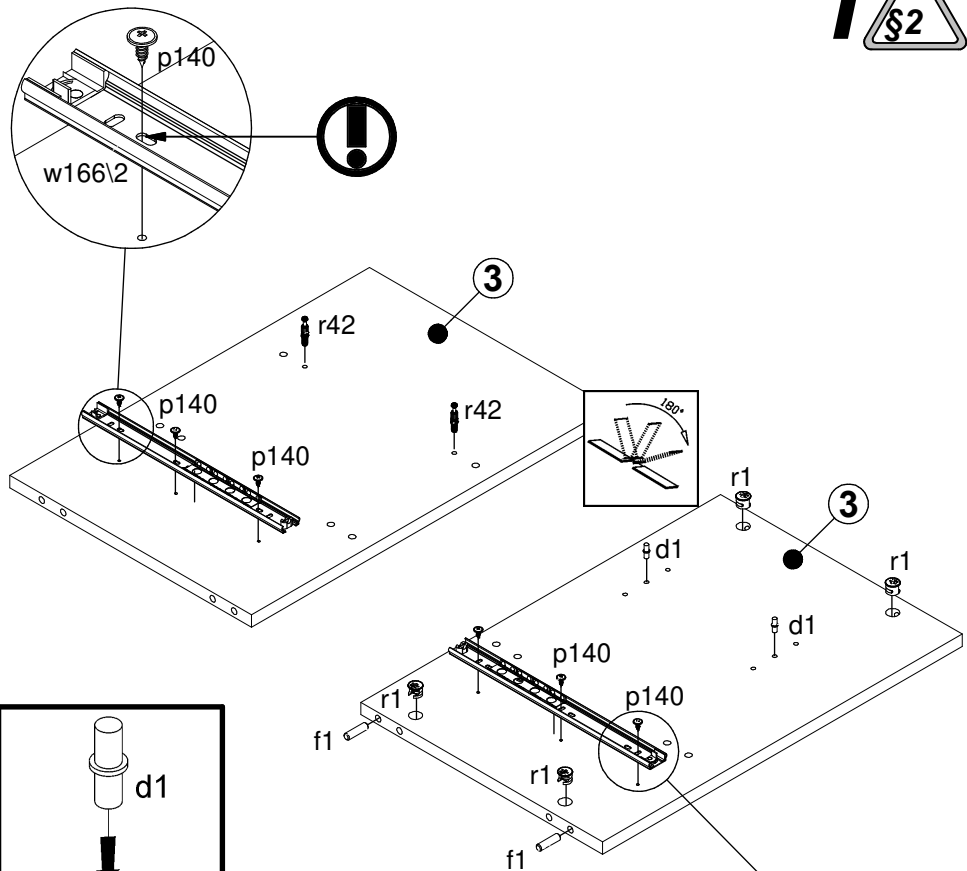
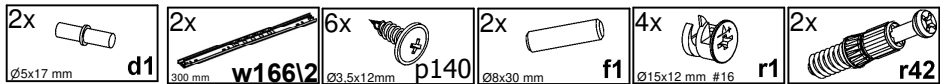


A	B	C (mm)		D
1	M196-1018	909	382	2/2
2	M196-1019	909	382	2/2
3	M196-1020	539	362	1/2
4	M196-1021	354	362	2/2
5	M196-1022	354	340	2/2
6	M196-2011	985	400	2/2
7	M196-2012	965	387	2/2
8	M196-3005	300	362	1/2
9	M196-3012	616	362	1/2
10	M196-3013	932	362	1/2
11	M196-3014	299	290	1/2
12	M196-3015	615	290	1/2
13	M196-9002	919	313	1/2
14	M196-9304	919	629	1/2
15	S248-0009	163	294	2/2
16	S248-0010	348	610	1/2
17	S248-0016	163	610	2/2
18	S248-4003	300	60	2/2
19	WSK3-503	300	120	1/2
20	WSK3-504	300	120	1/2
21	WSP-9090	265	298	1/2
22	WSP-9091	581	298	1/2
23	WTR-5026	255	120	2/2
24	WTR-5027	571	120	2/2

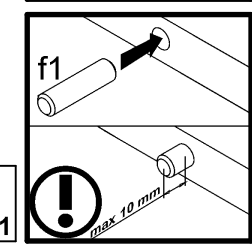
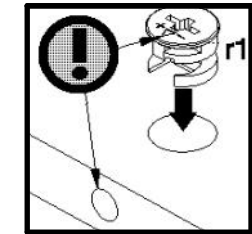
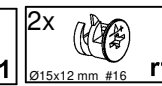
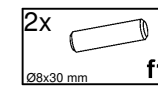
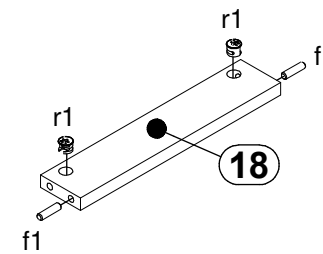
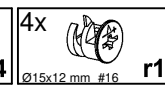
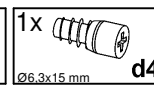
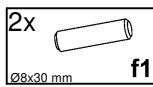
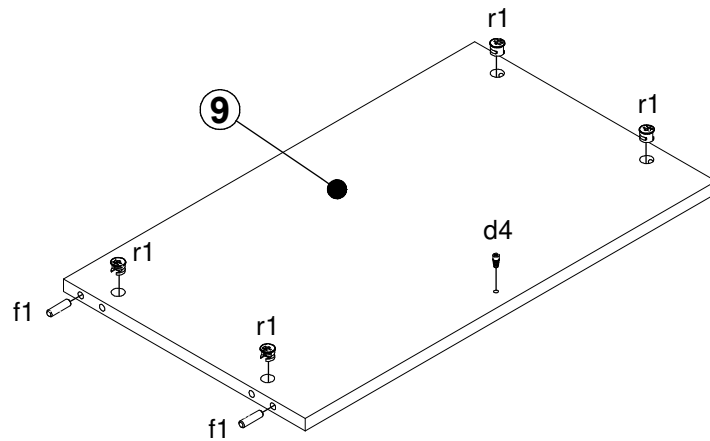
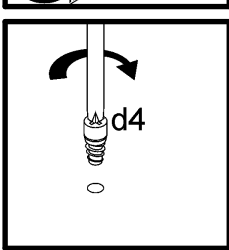
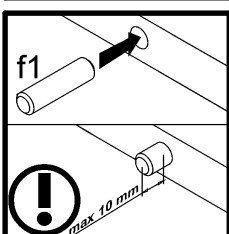
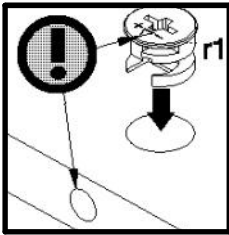
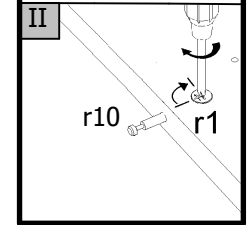
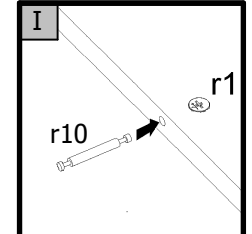
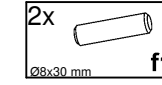
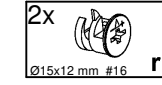
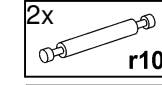
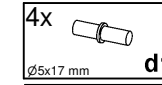
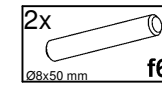
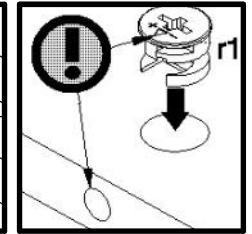
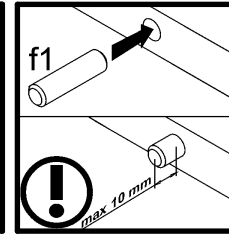
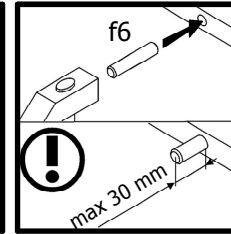
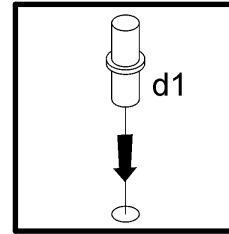
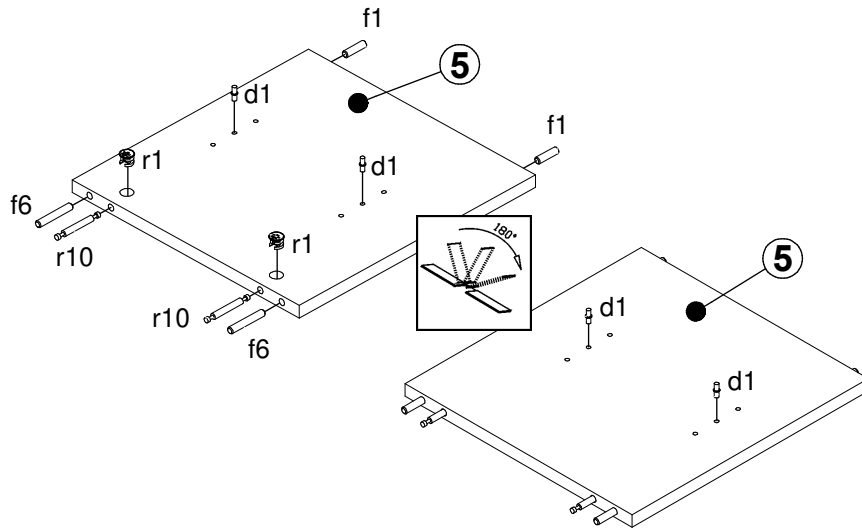


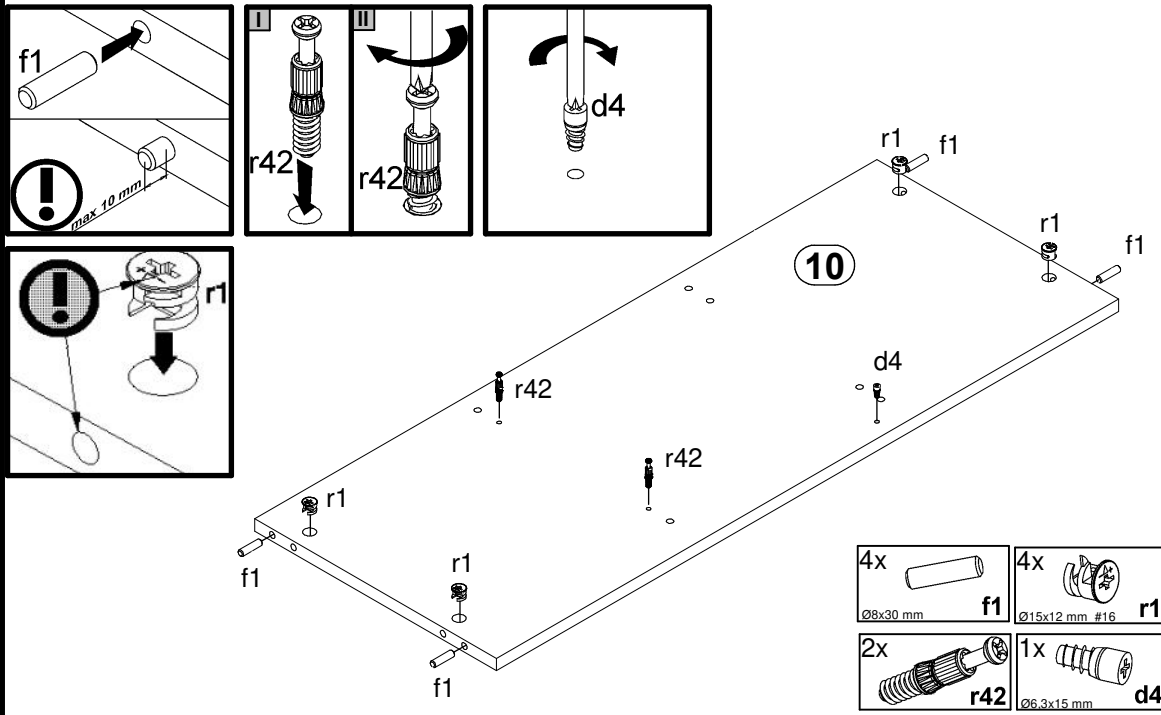




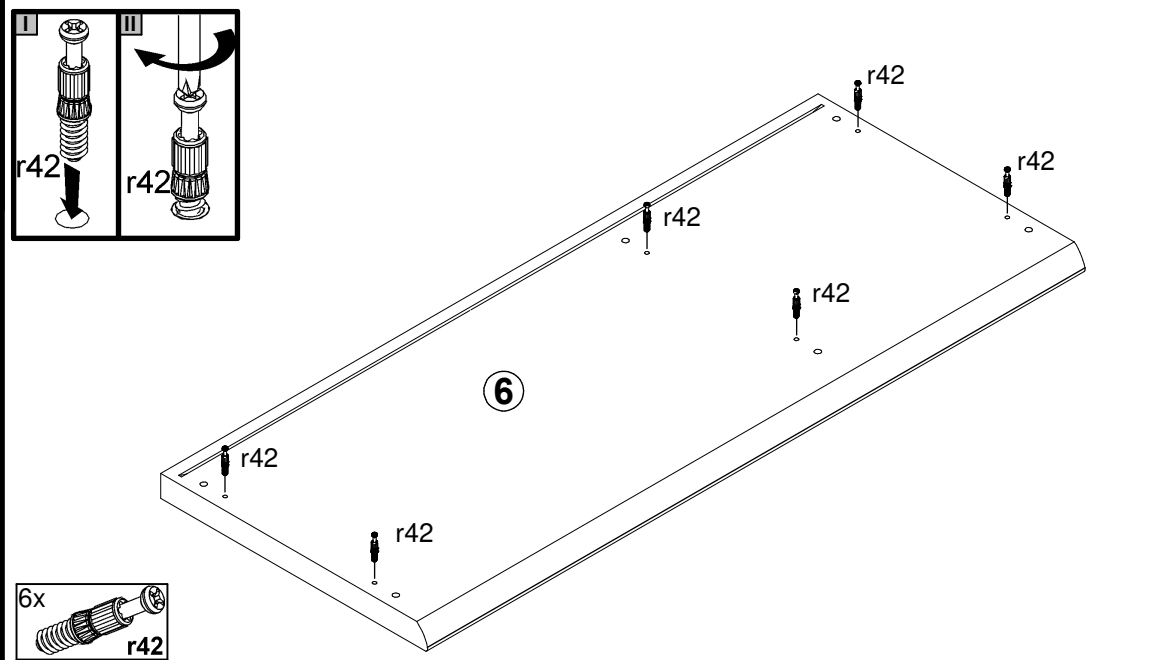


1

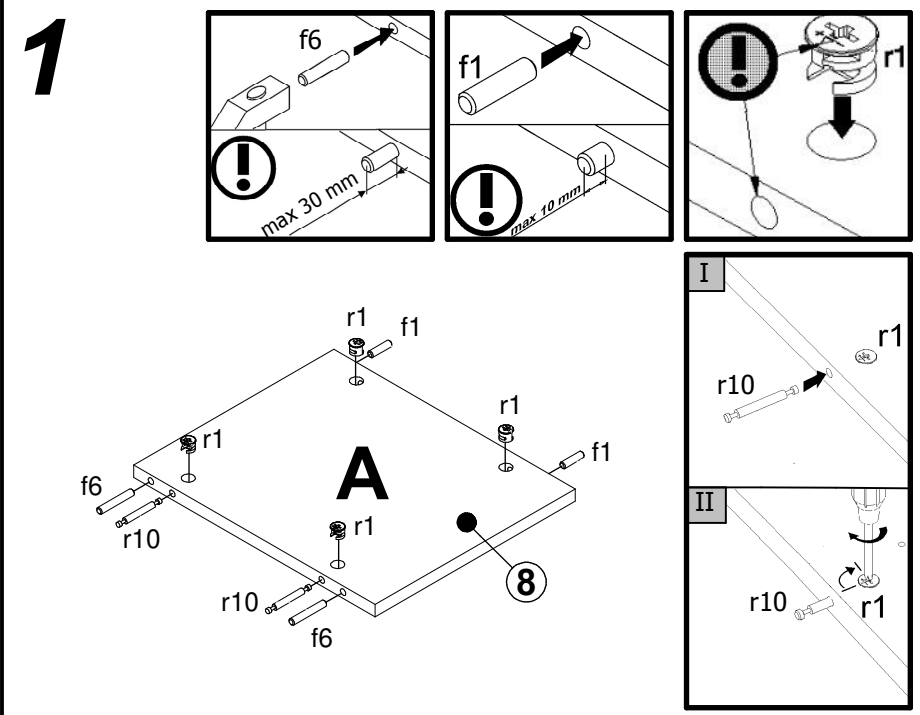




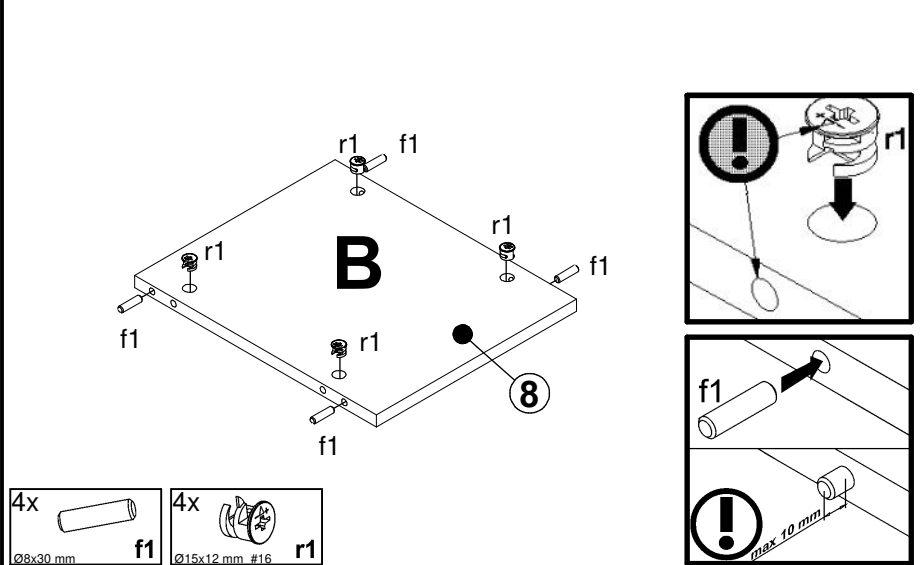
- | | |
|----------------------|---------------------------|
| 4x
Ø8x30 mm
f1 | 4x
Ø15x12 mm #16
r1 |
| 2x
r42 | 1x
Ø6,3x15 mm
d4 |



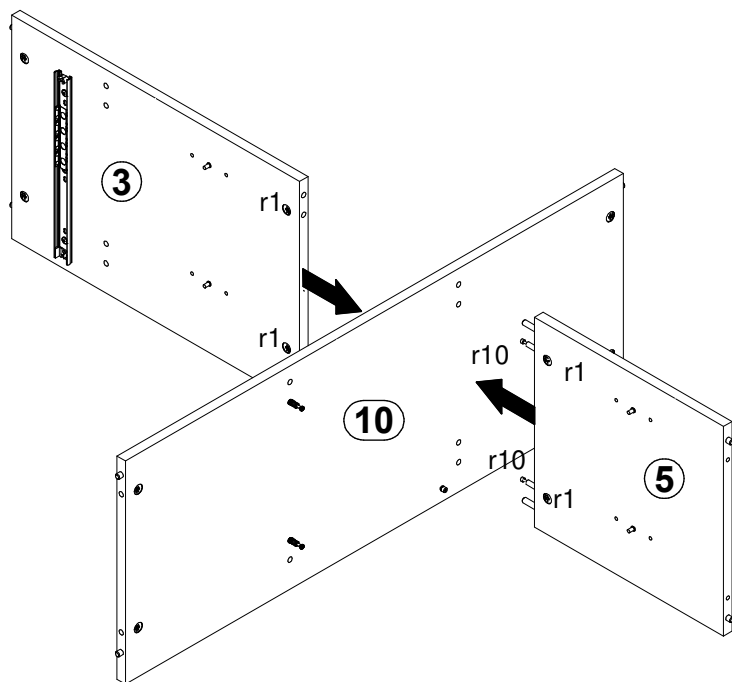
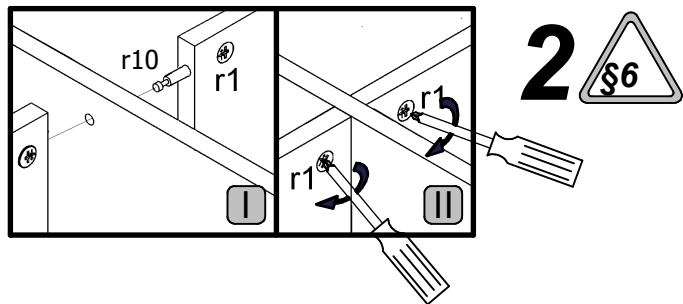
- | |
|-----------|
| 6x
r42 |
|-----------|



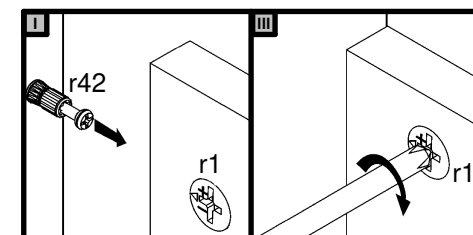
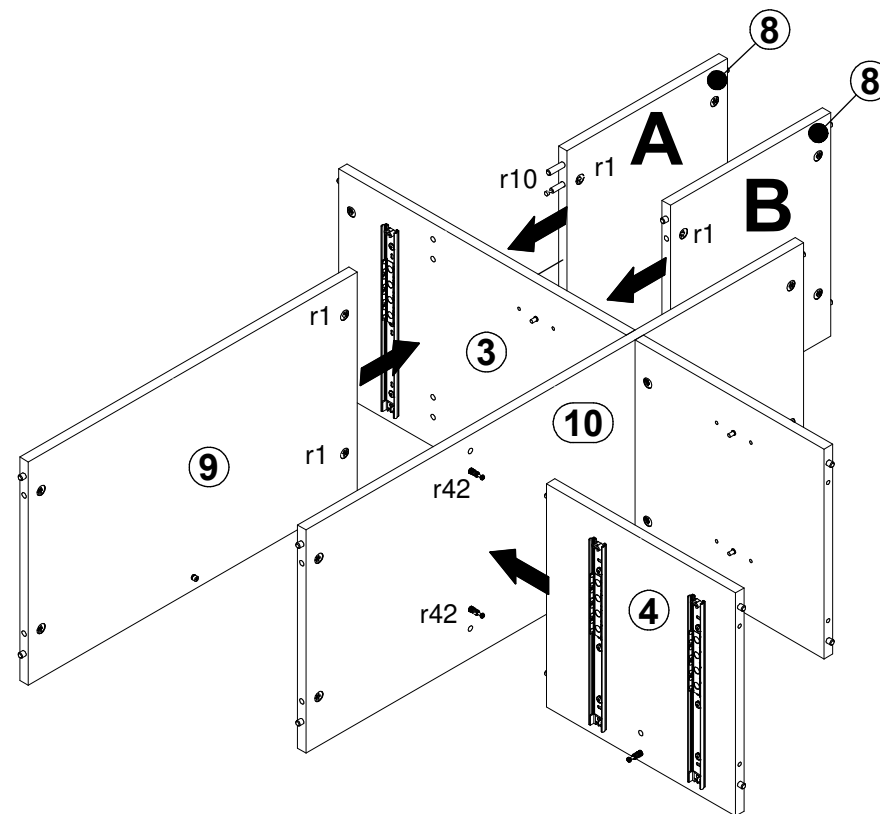
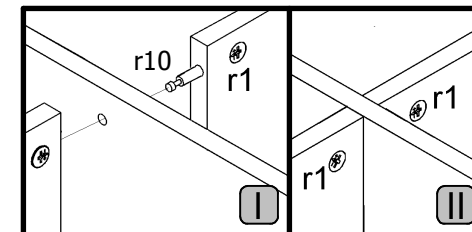
- | | | | |
|----------------------|----------------------|-----------|---------------------------|
| 2x
Ø8x50 mm
f6 | 2x
Ø8x30 mm
f1 | 2x
r10 | 4x
Ø15x12 mm #16
r1 |
|----------------------|----------------------|-----------|---------------------------|



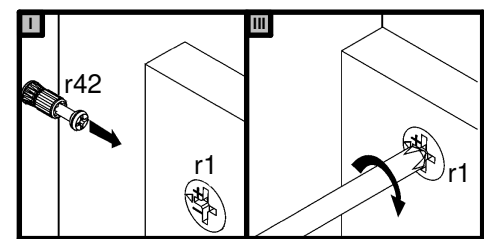
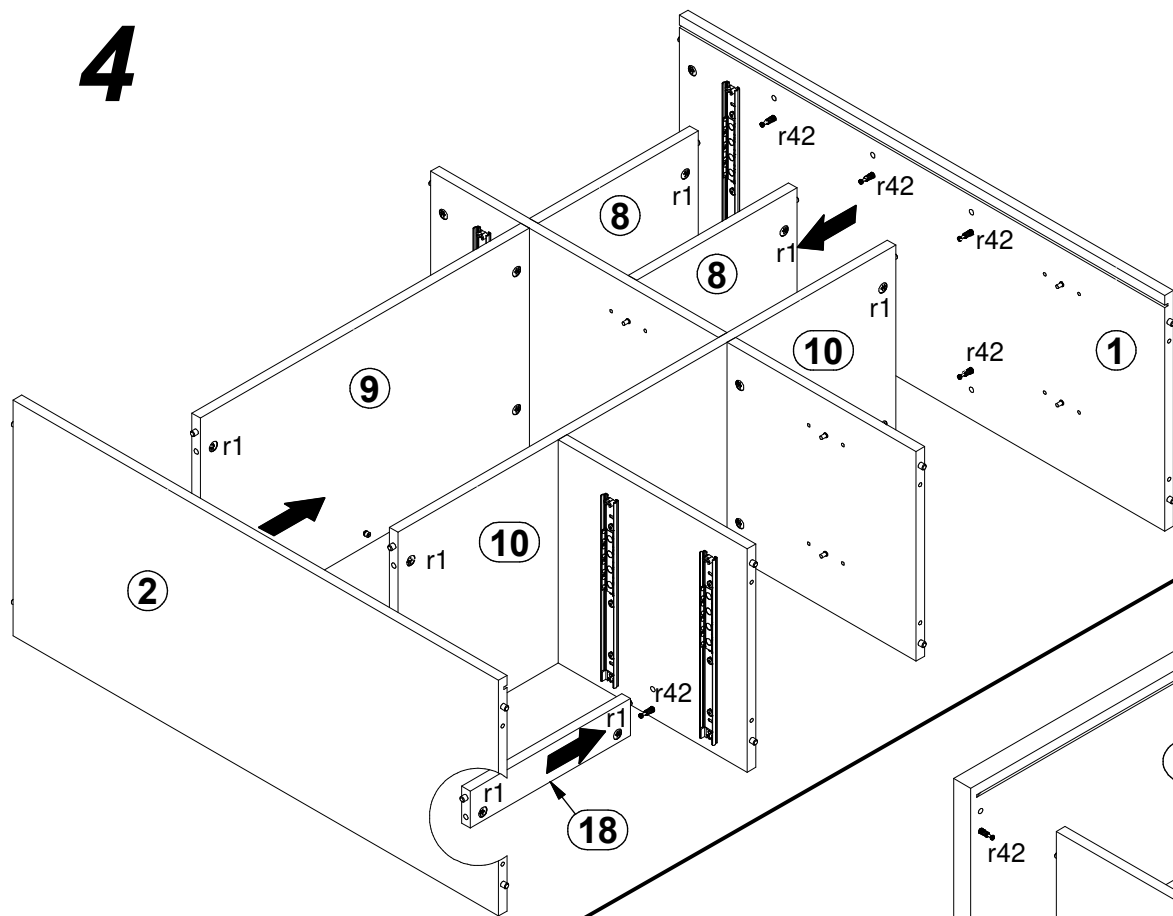
- | | |
|----------------------|---------------------------|
| 4x
Ø8x30 mm
f1 | 4x
Ø15x12 mm #16
r1 |
|----------------------|---------------------------|



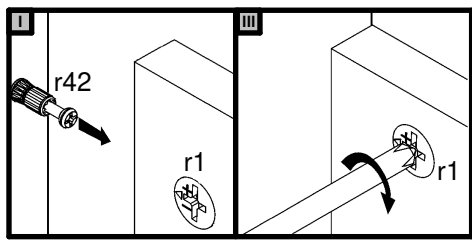
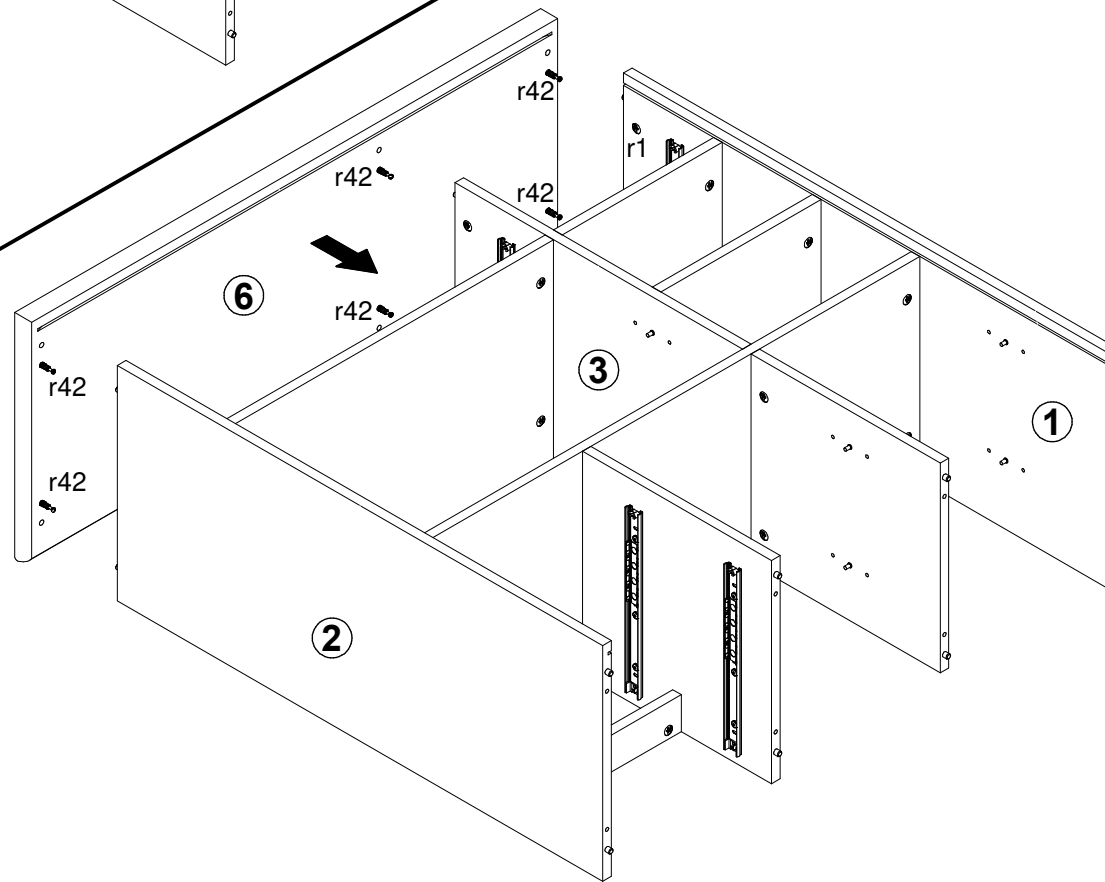
3



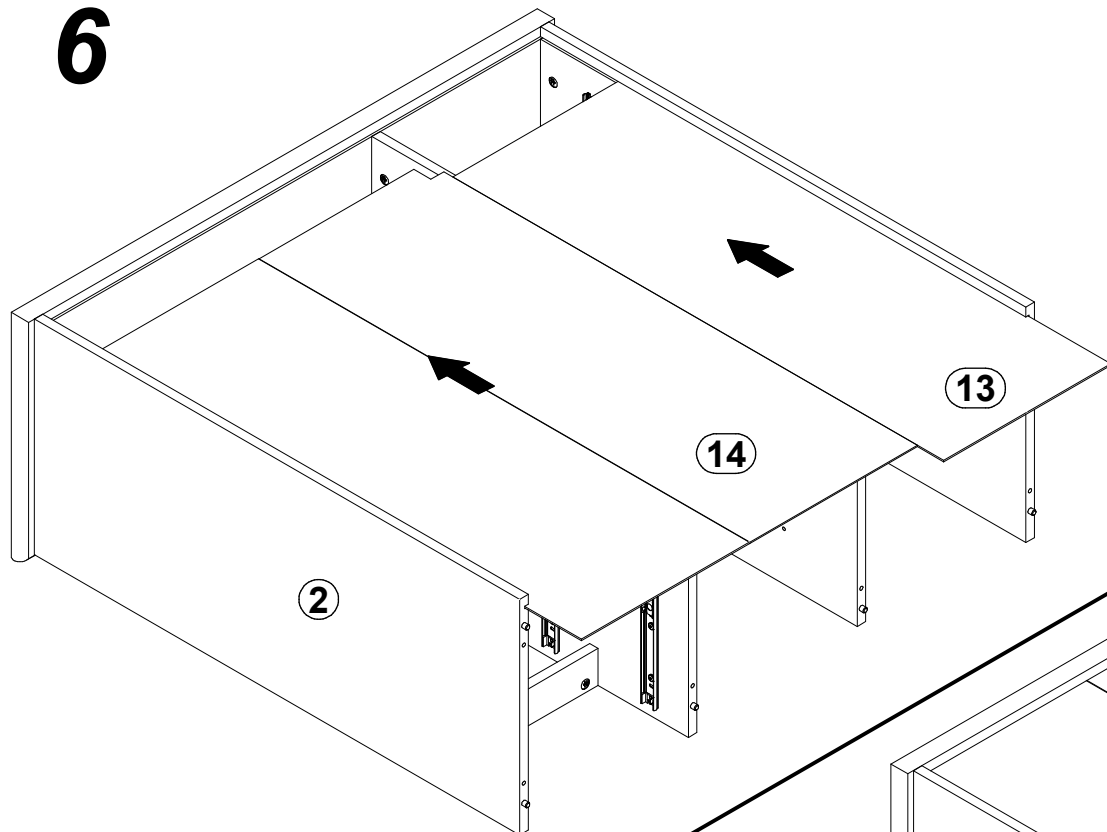
4



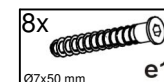
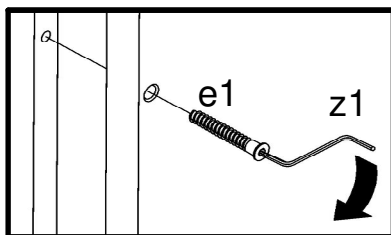
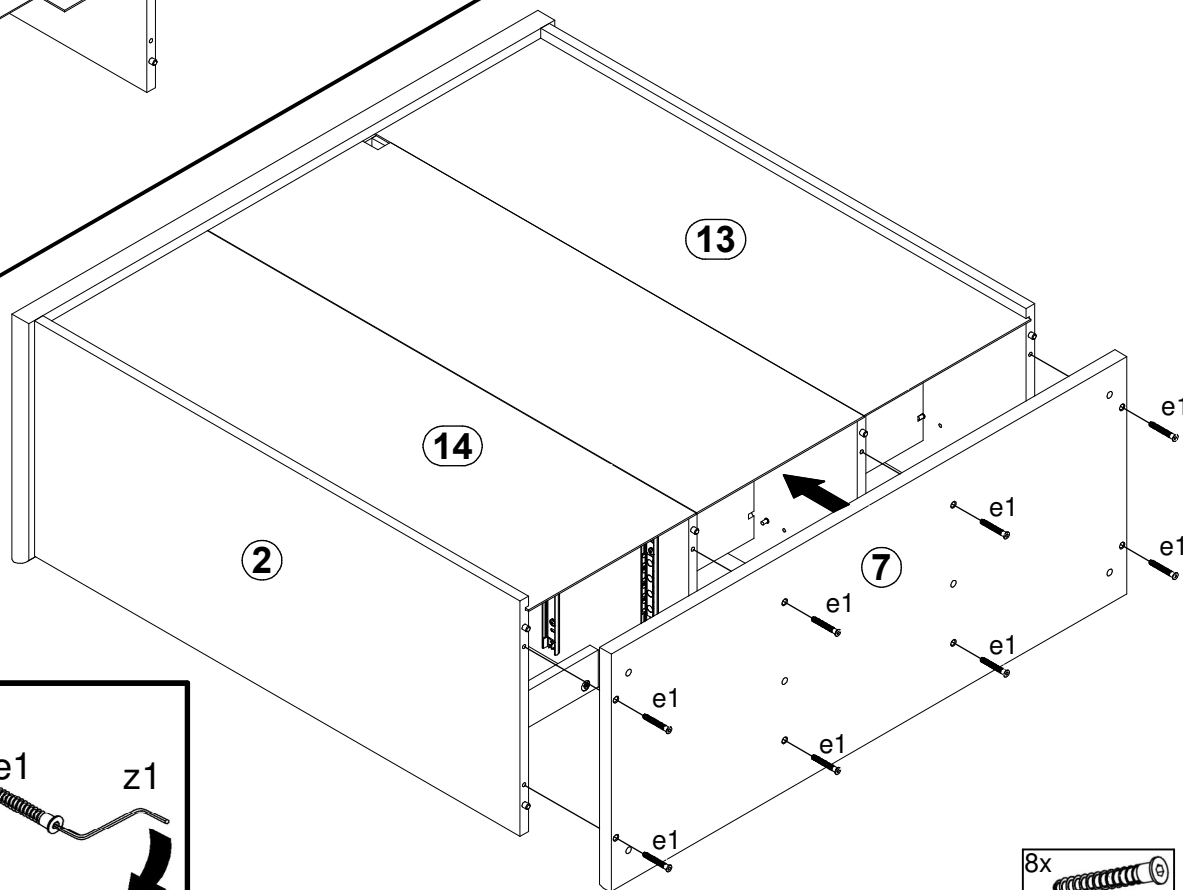
5

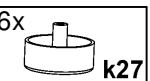
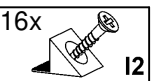
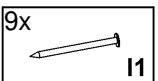
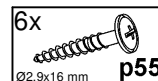
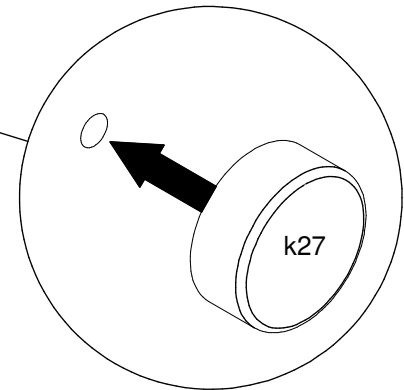
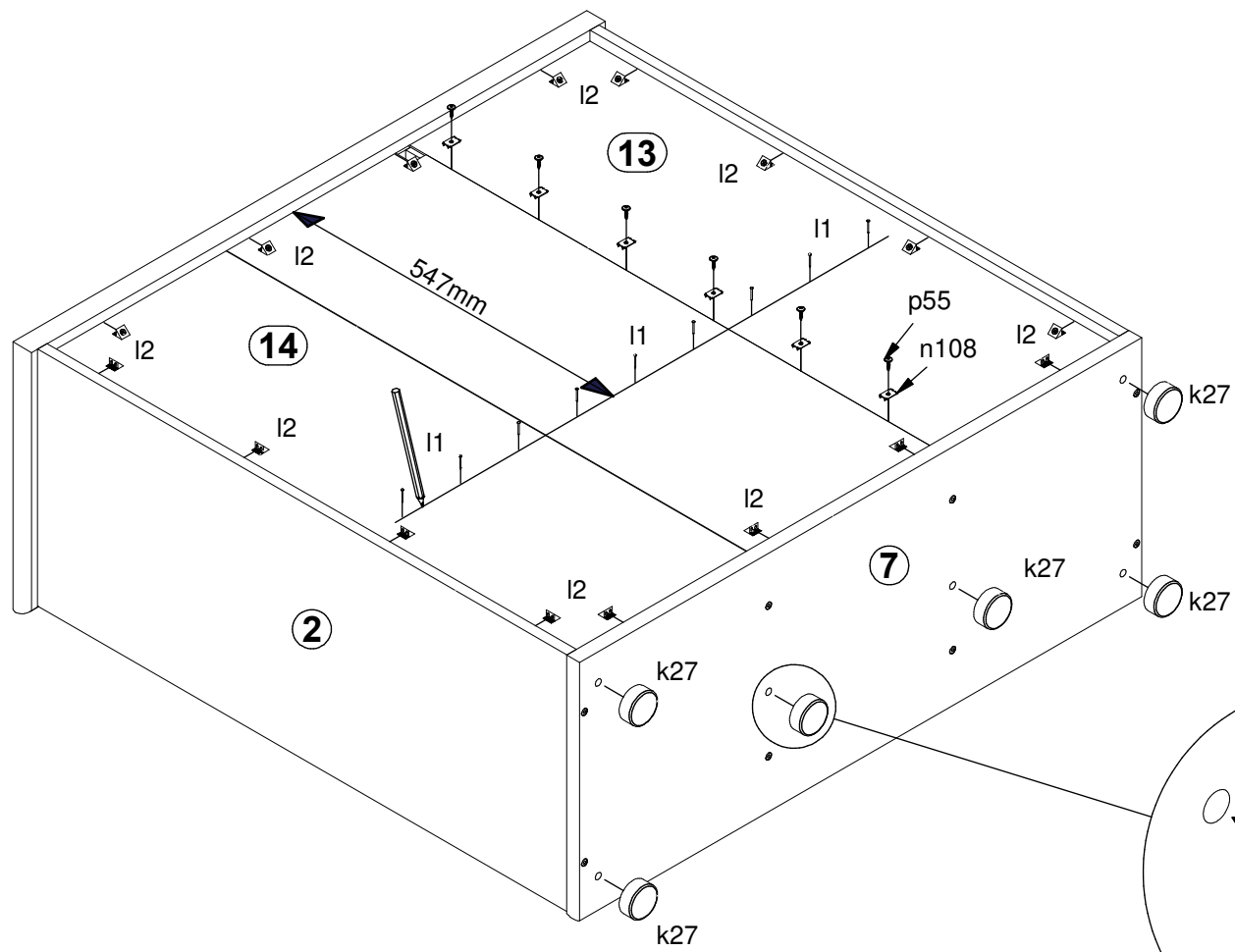
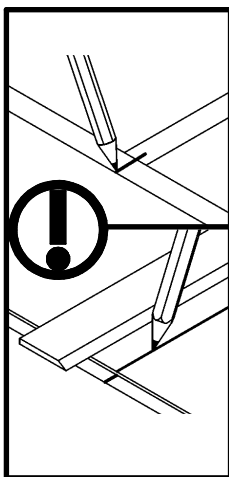
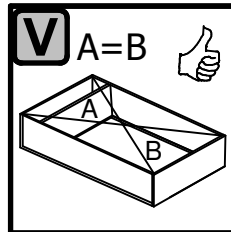
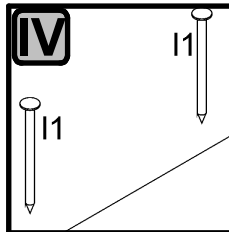
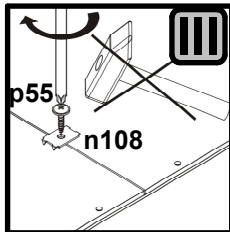
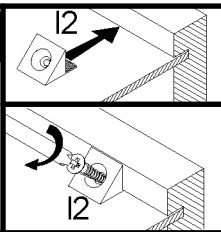
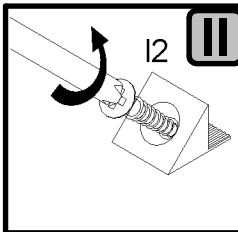
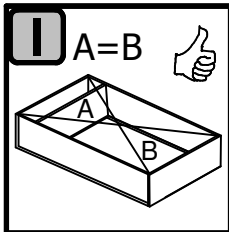


6



7

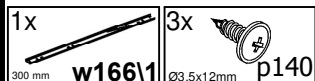
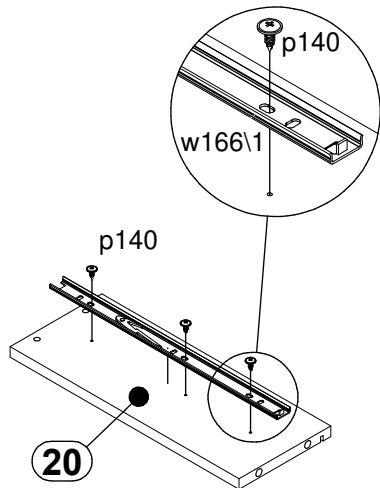




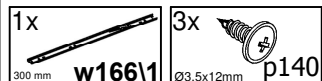
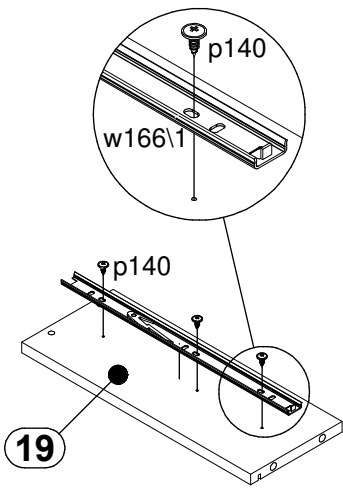
9



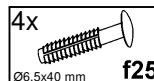
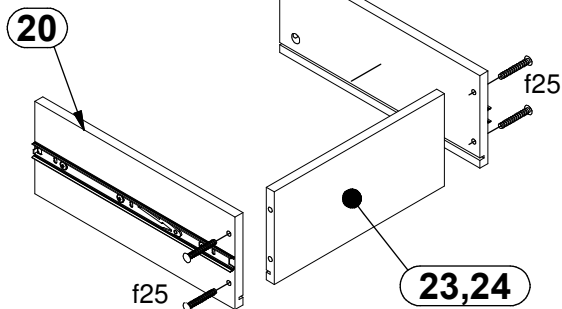
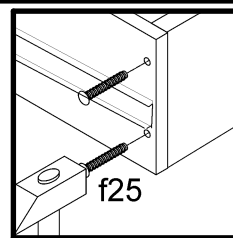
I



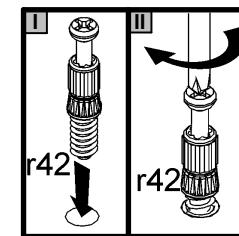
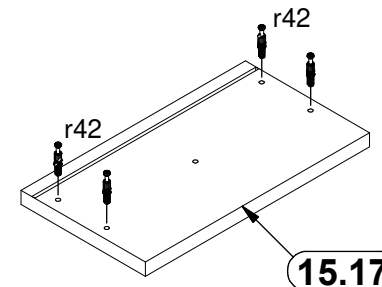
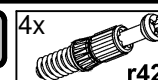
II



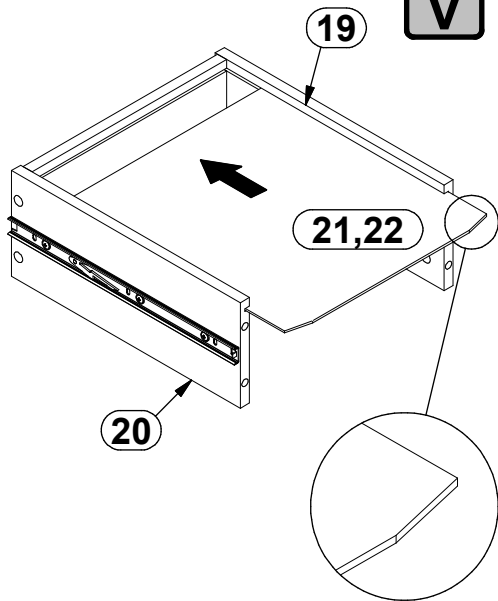
III



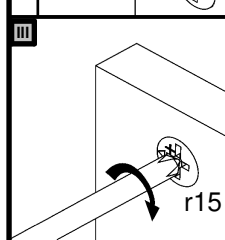
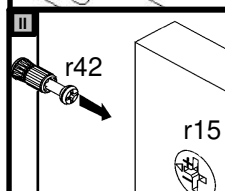
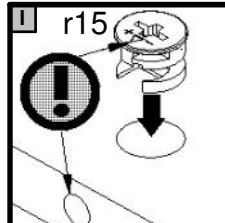
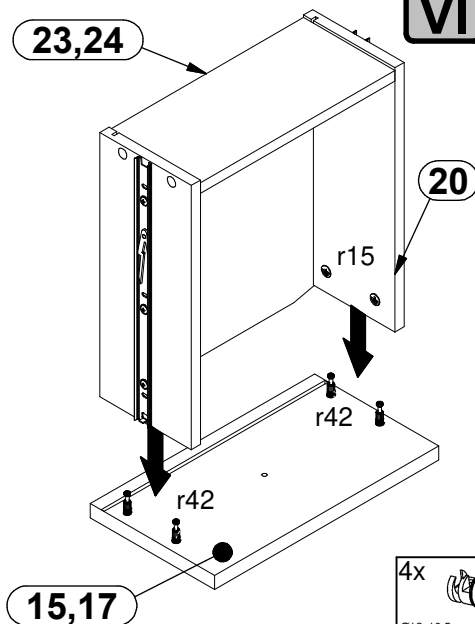
IV



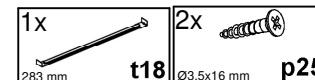
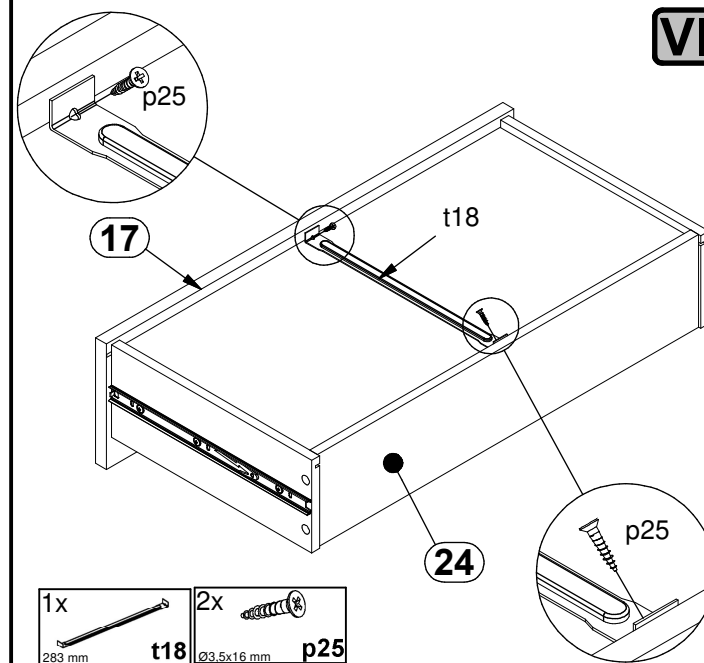
V

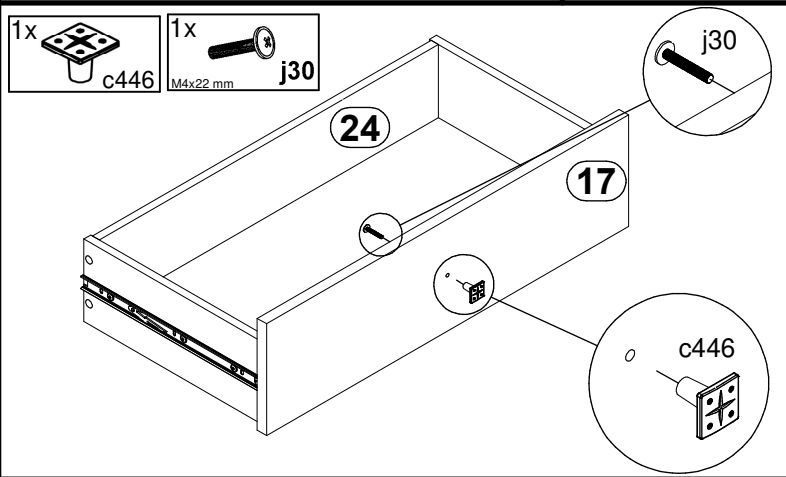
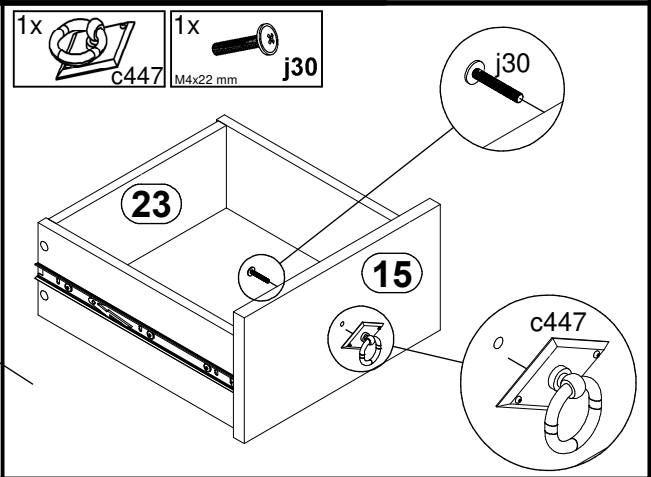
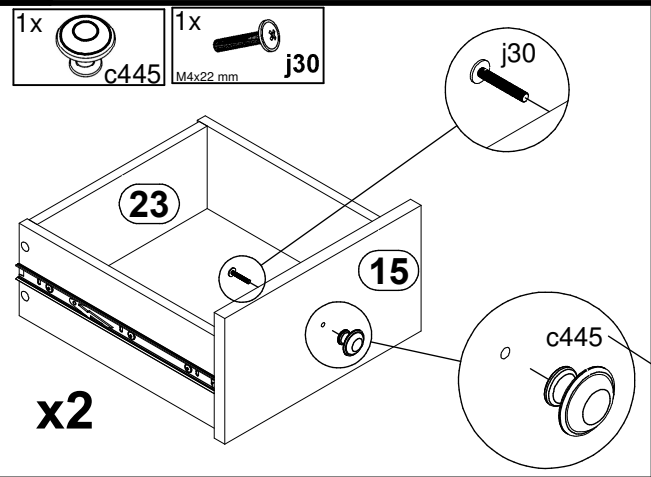


VI

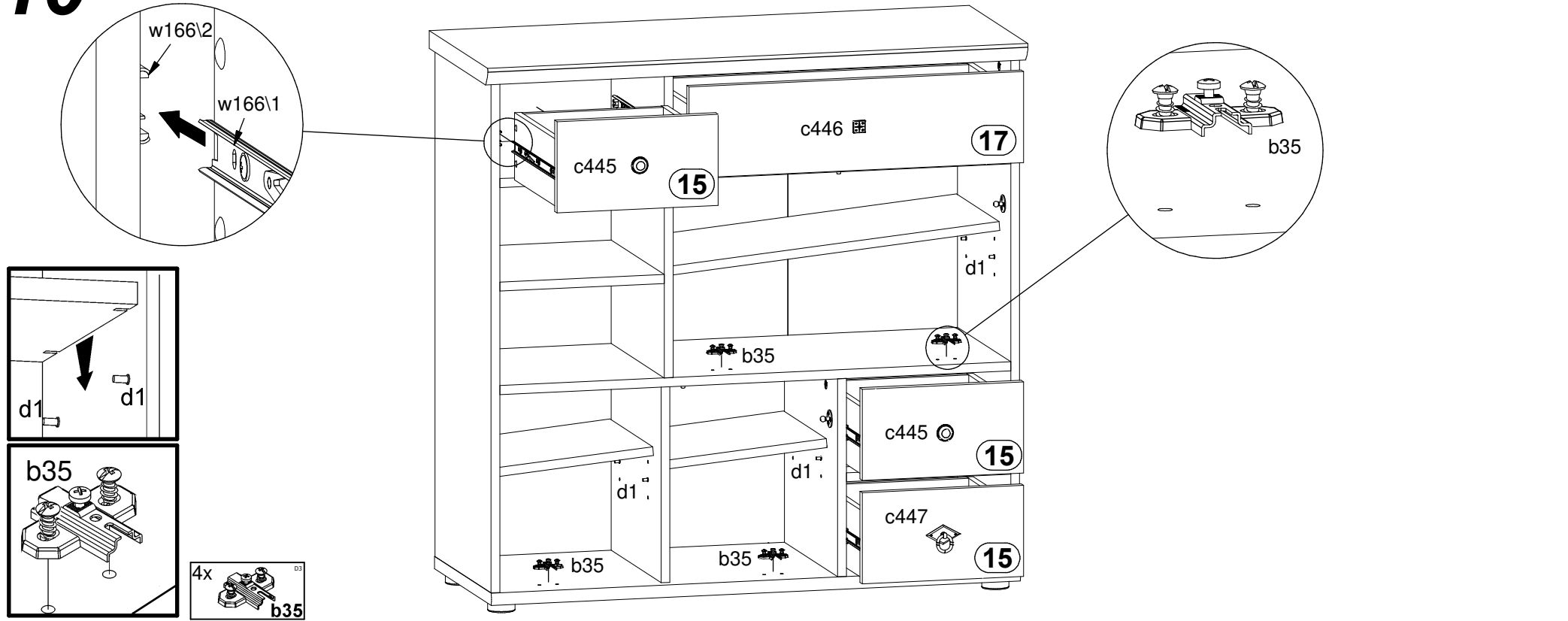


VII

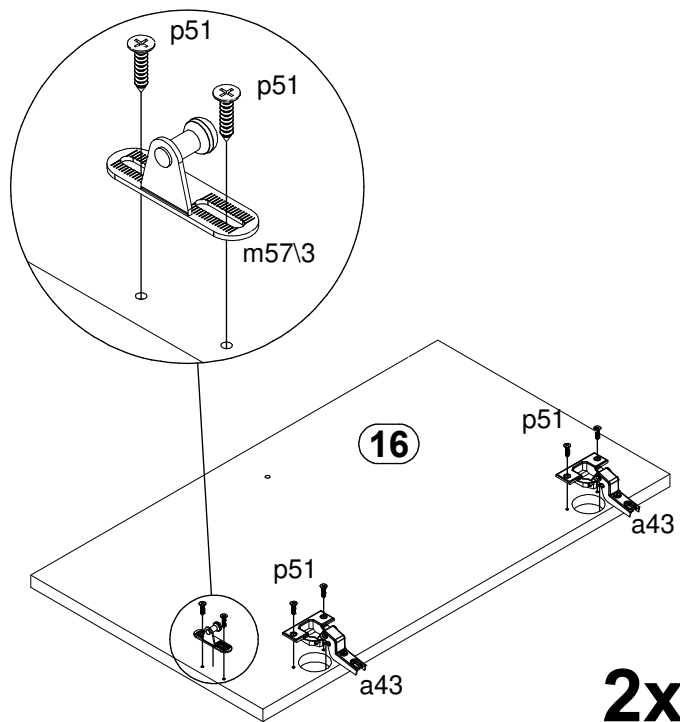




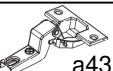
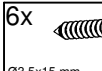

10

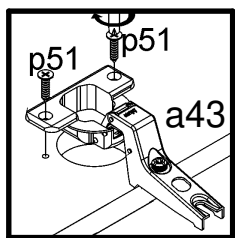


11

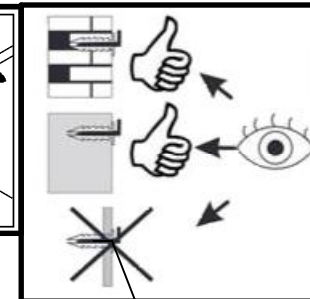
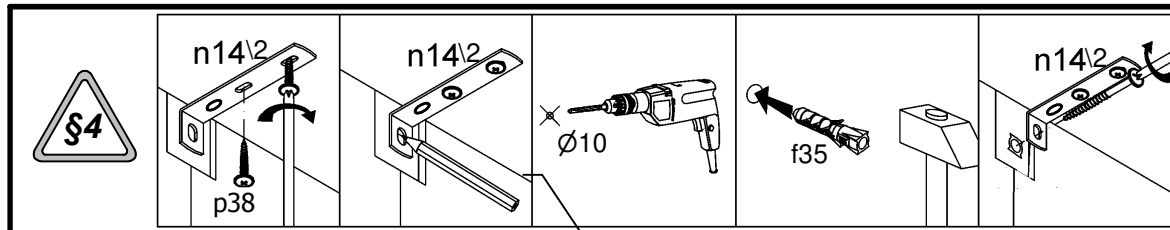
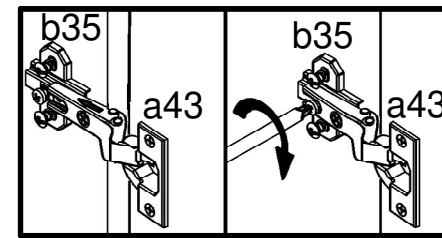
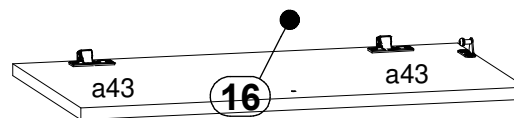
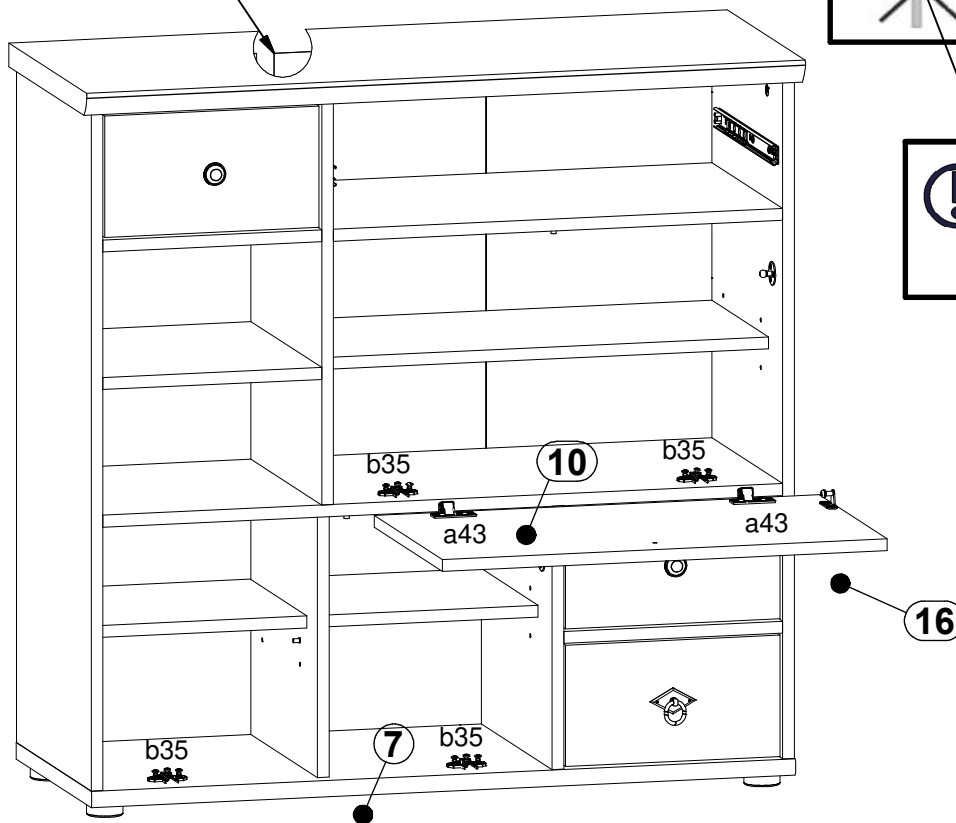


2x

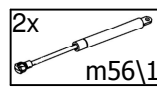
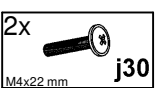
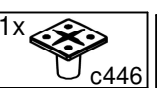

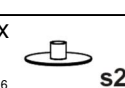
- 2x  a43
- 6x  p51
Ø3.5x15 mm
- 1x  m57/3

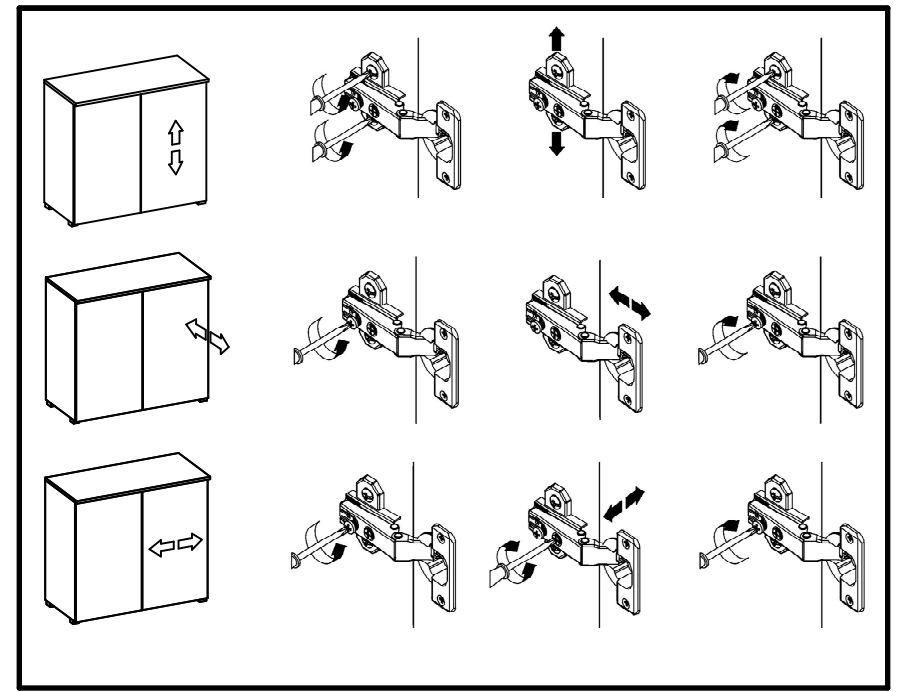
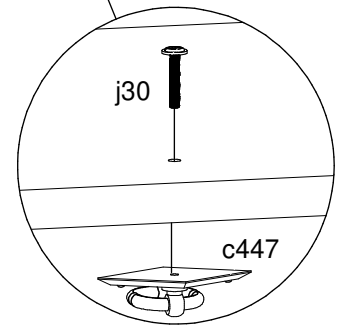
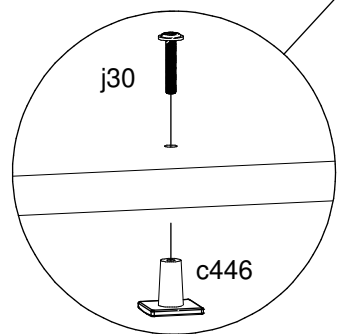
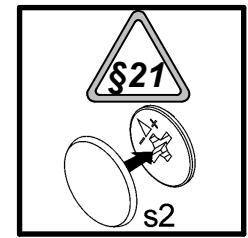
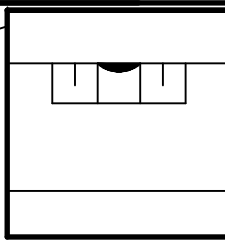
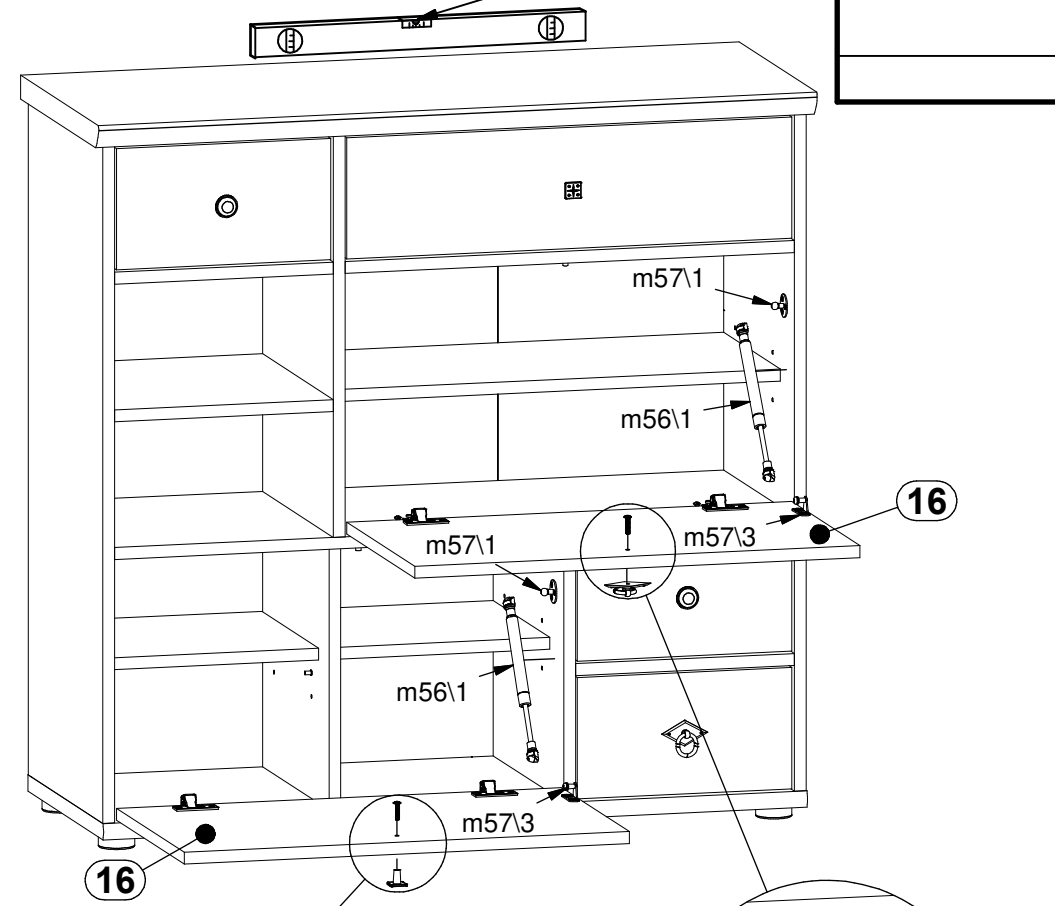


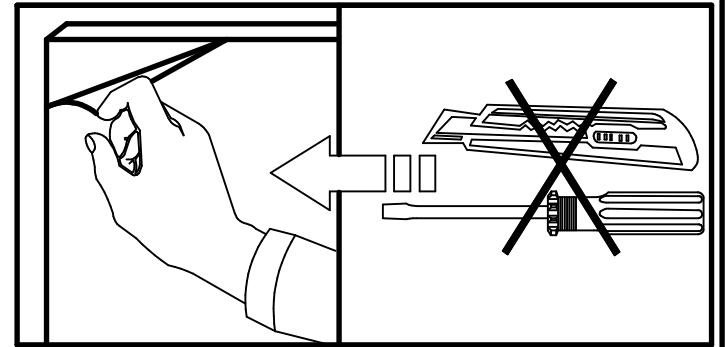
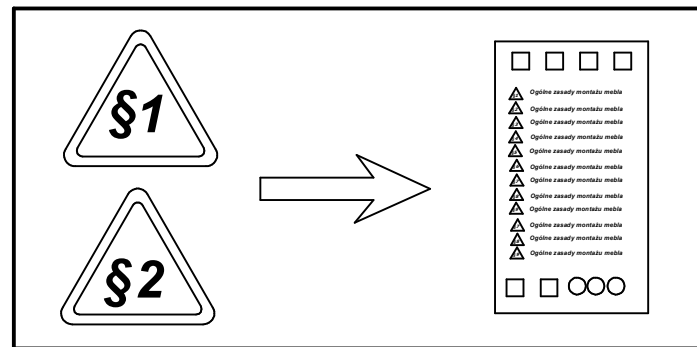
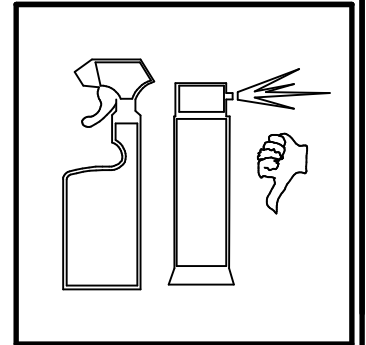
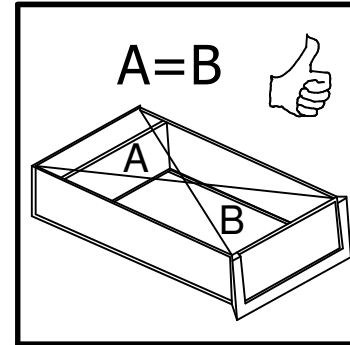
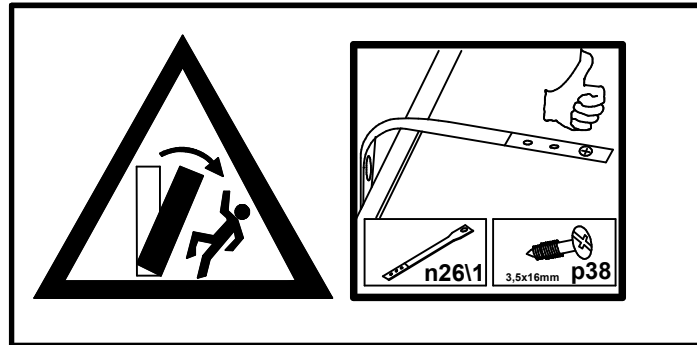
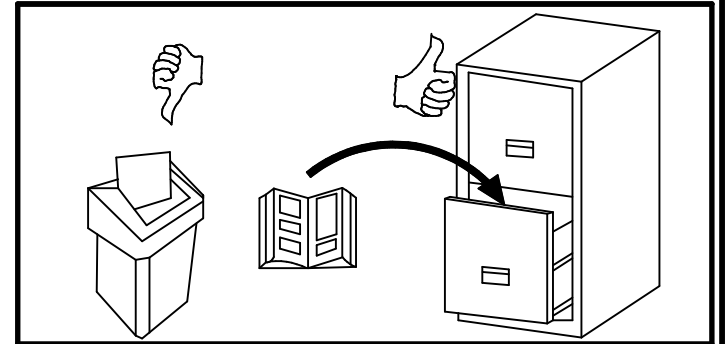
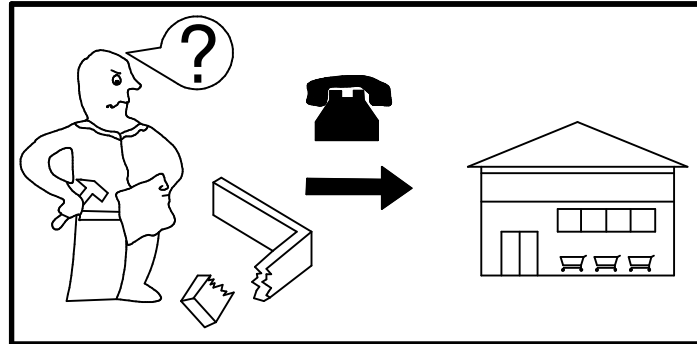
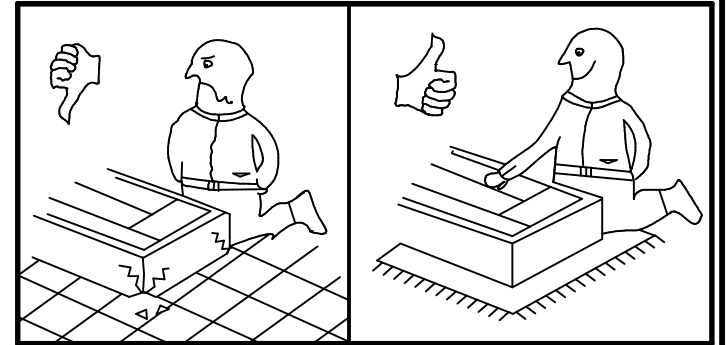
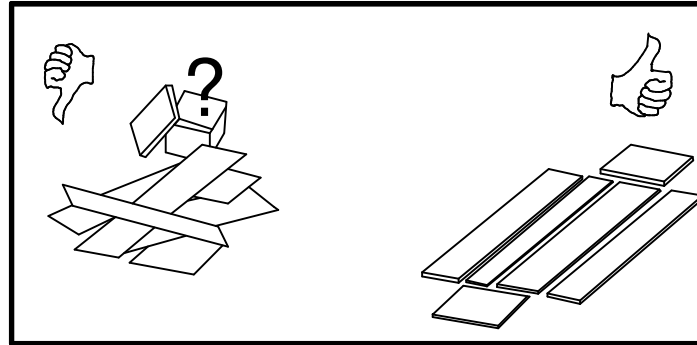
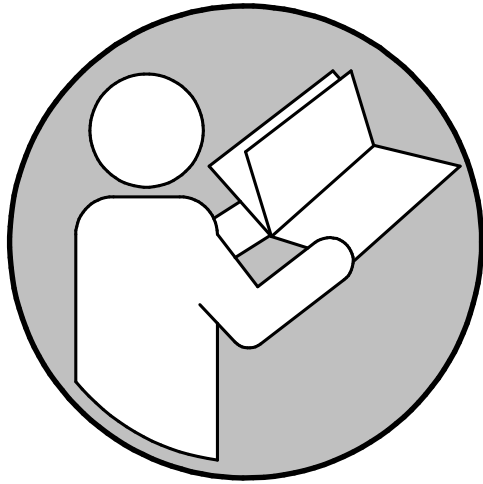
12

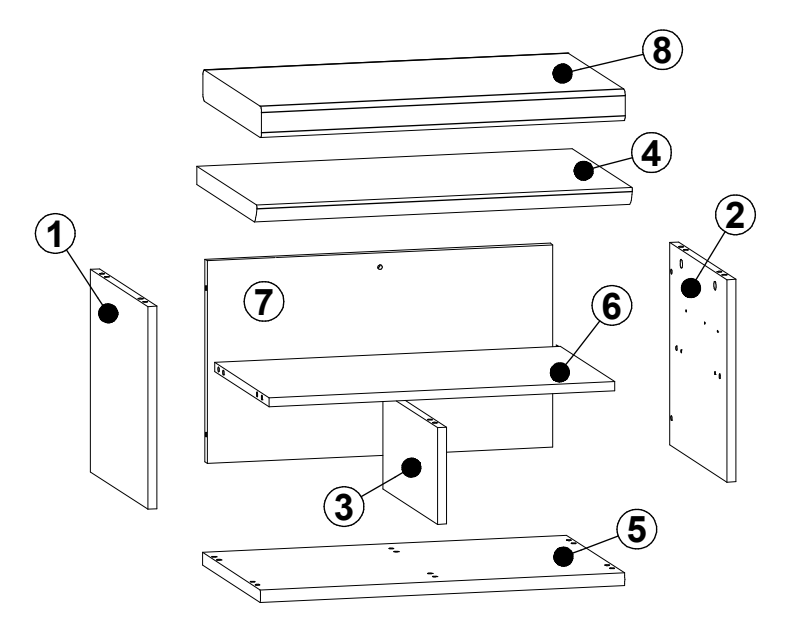
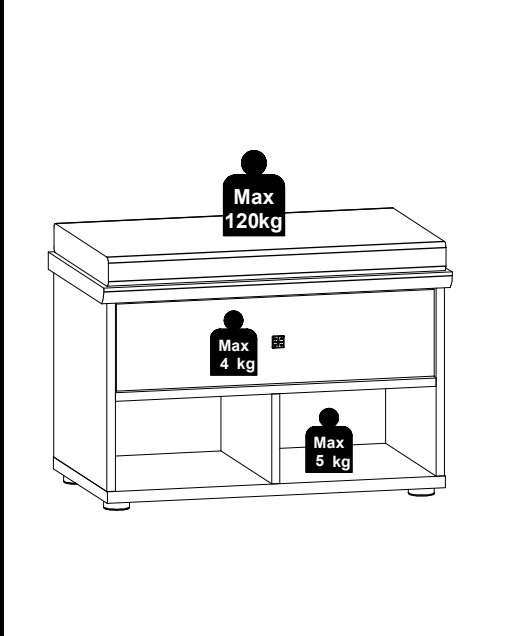
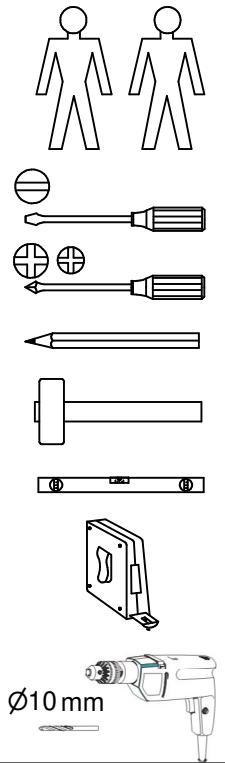


13

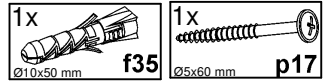
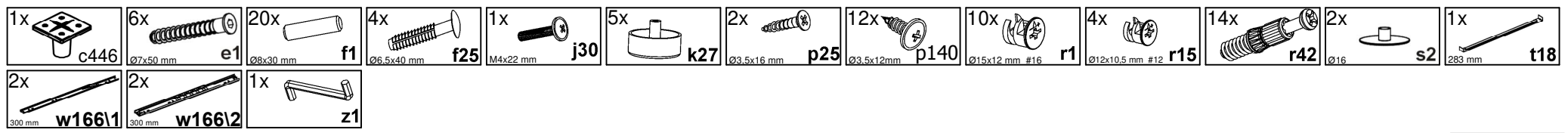
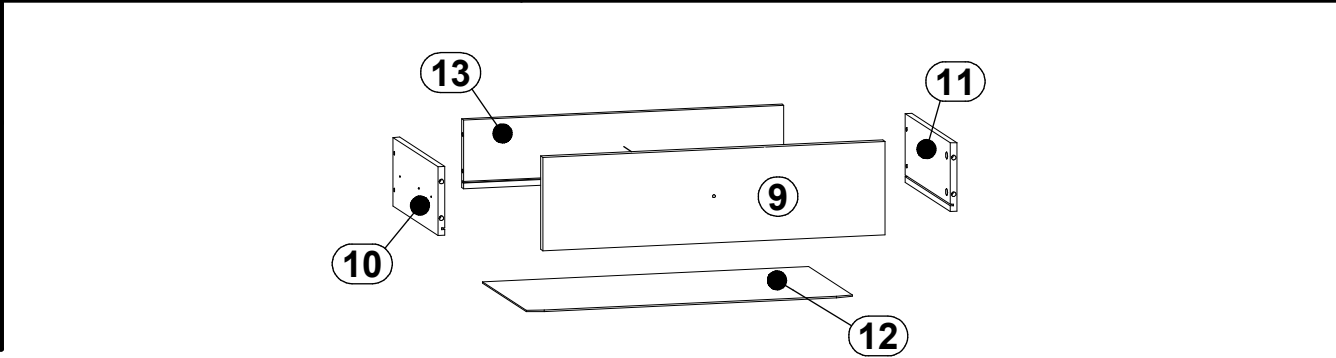
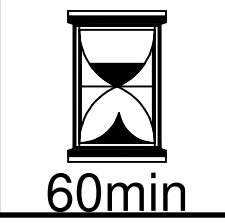
- 2x  m56\1
- 2x  j30
- 1x  c446
- 1x  c447
- 6x  s2



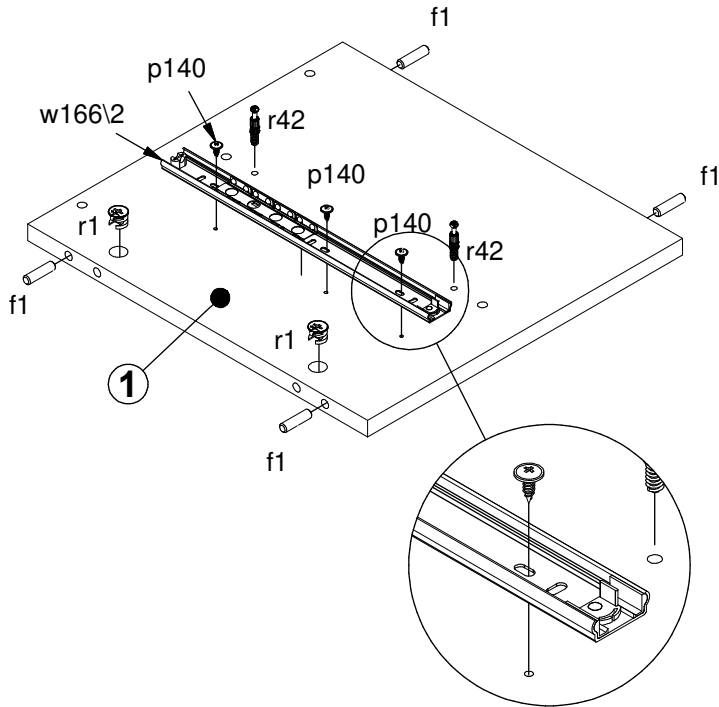
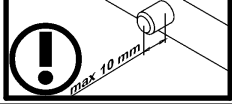
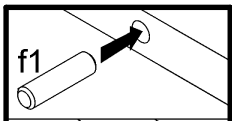
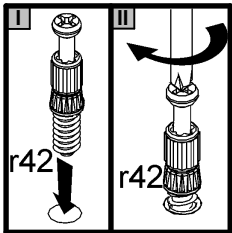
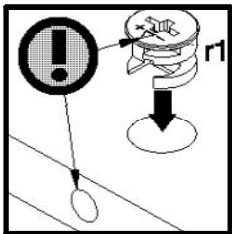
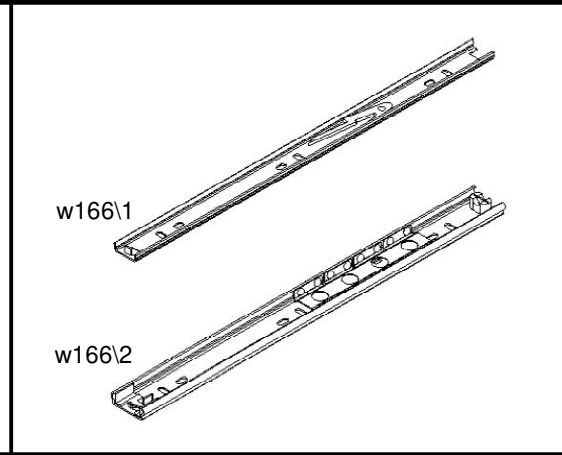
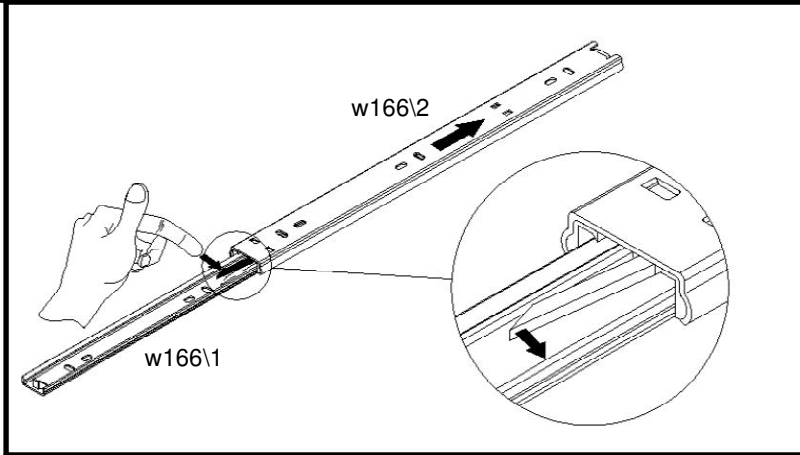




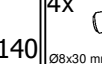
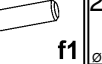



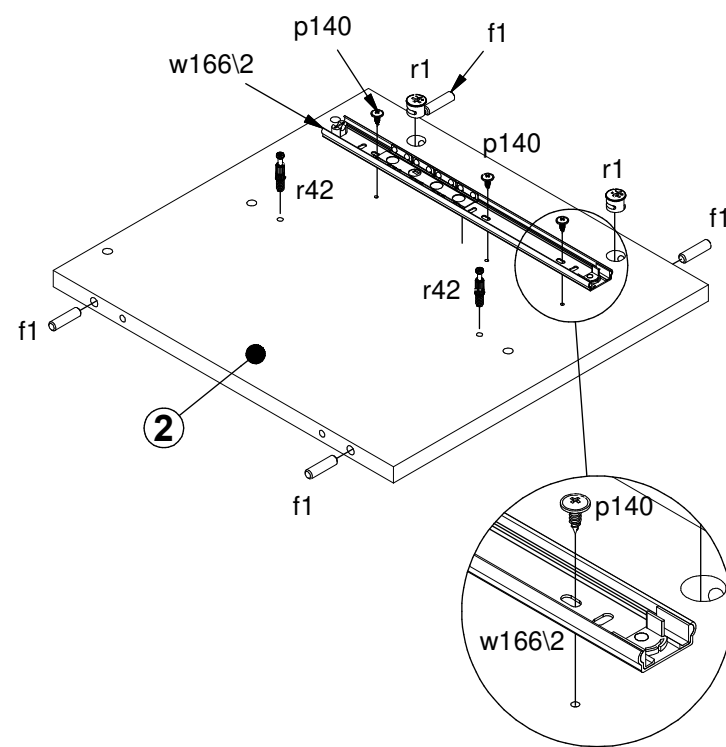
A	B	C (mm)		D
1	M196-1006	354	382	1/1
2	M196-1007	354	382	1/1
3	M196-1008	169	362	1/1
4	M196-2005	669	400	1/1
5	M196-2006	649	387	1/1
6	M196-3009	616	362	1/1
7	M196-4302	354	616	1/1
8	M196-5701	648	390	1/1
9	S248-0016	163	610	1/1
10	WSK3-503	300	120	1/1
11	WSK3-504	300	120	1/1
12	WSP-9091	581	298	1/1
13	WTR-5027	571	120	1/1



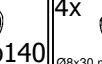




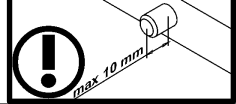
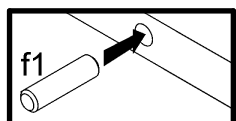
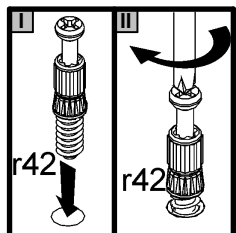
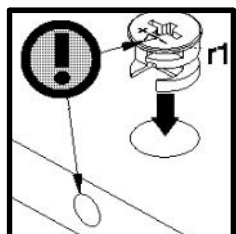
1 



- 1x

300 mm w166\2
- 3x

Ø3.5x12mm p140
- 4x

Ø8x30 mm f1
- 2x

Ø15x12 mm #16 r1
- 2x

r42



- 1x

300 mm w166\2
- 3x

Ø3.5x12mm p140
- 4x

Ø8x30 mm f1
- 2x

Ø15x12 mm #16 r1
- 2x

r42

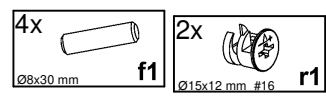
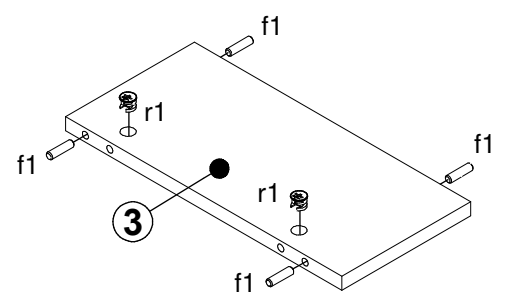
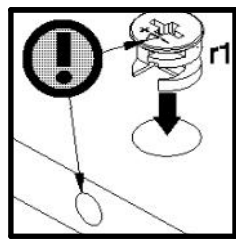
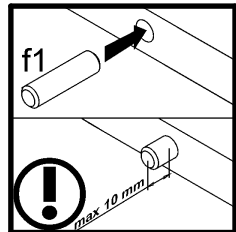


A

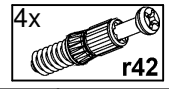
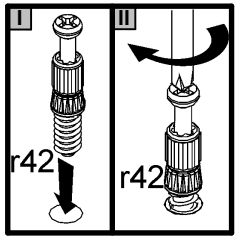
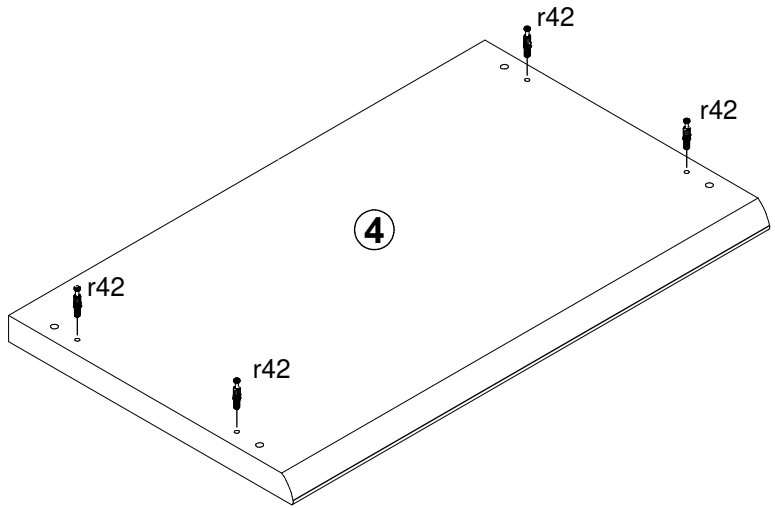
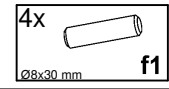
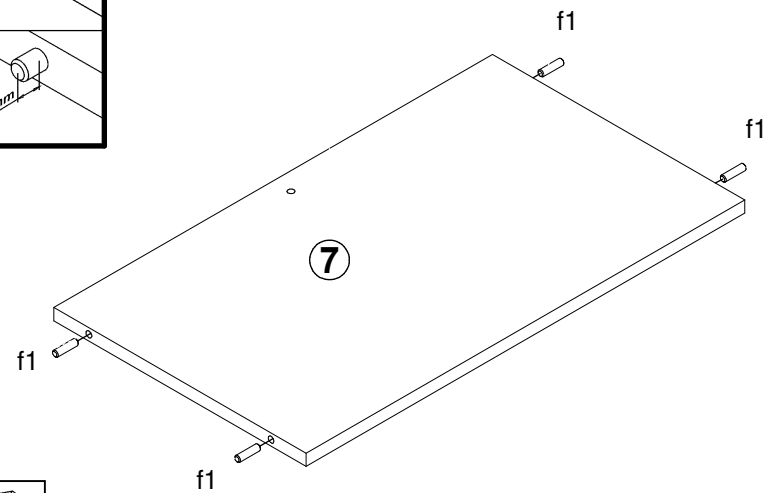
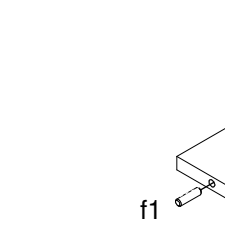
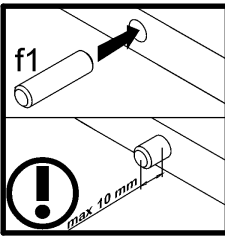
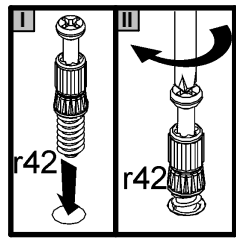
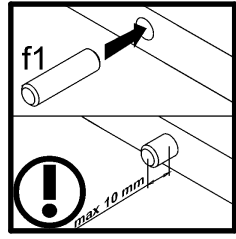
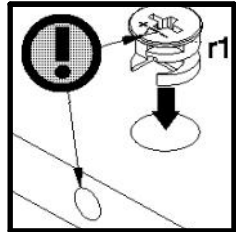
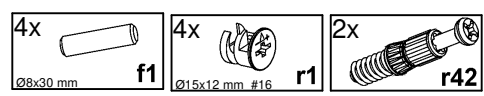
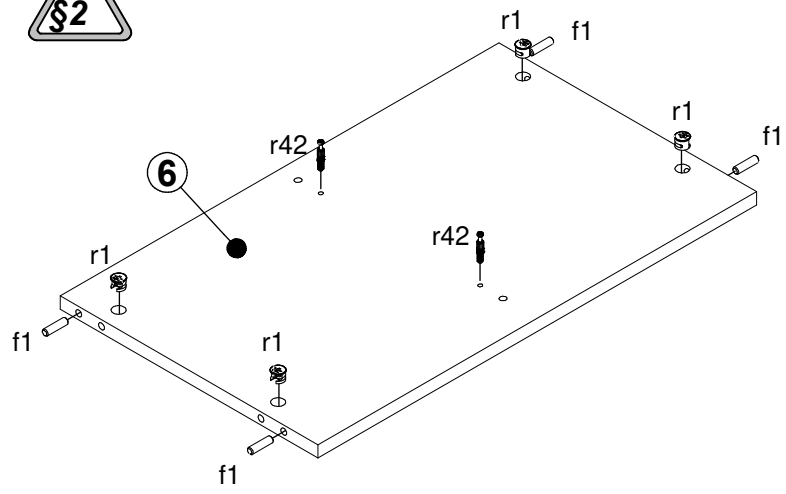
M196-SFK1S/5/7

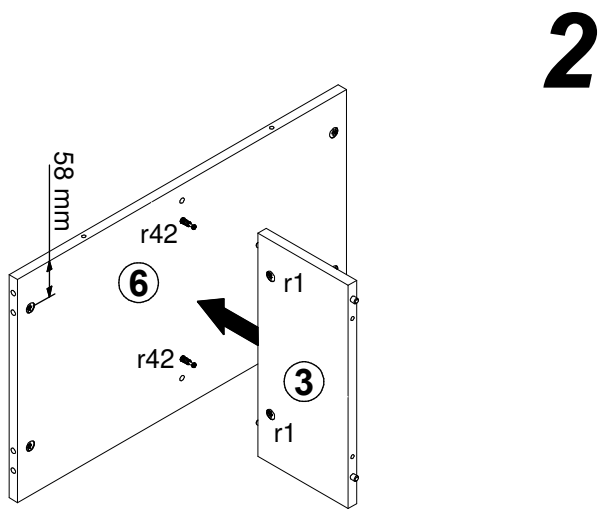
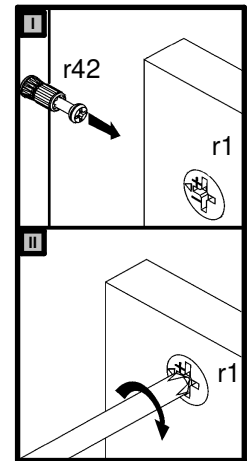
3064--60

4 / 8

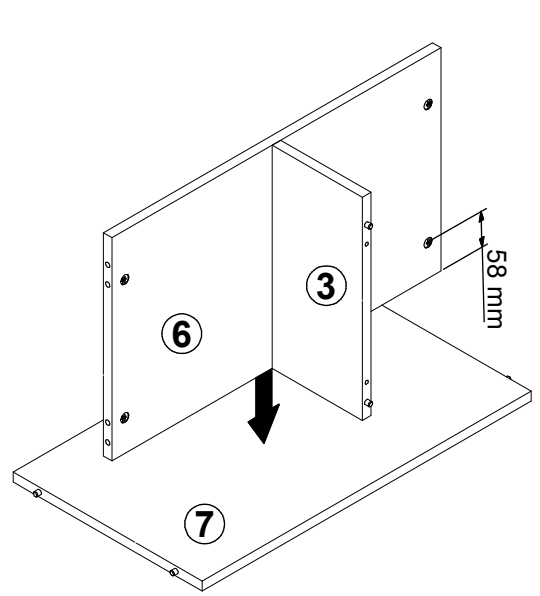


1

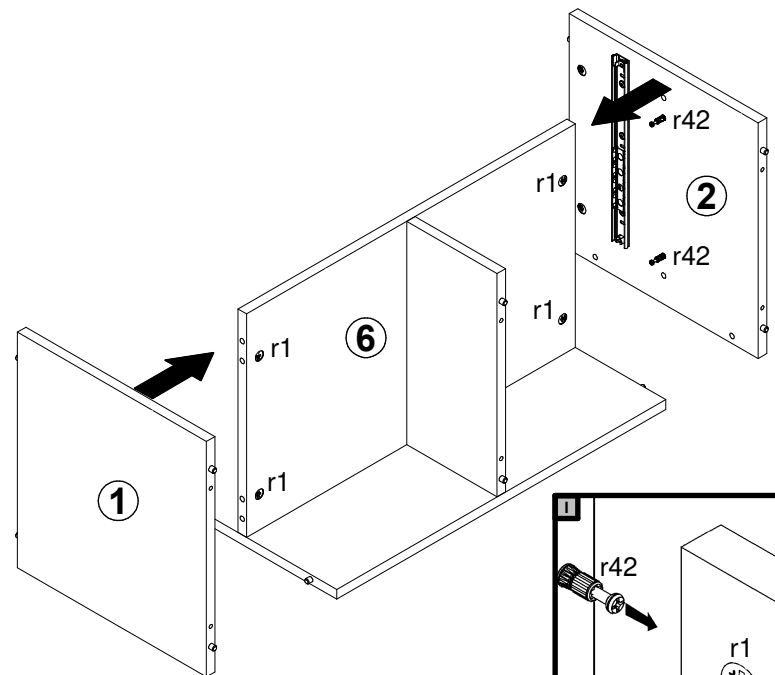




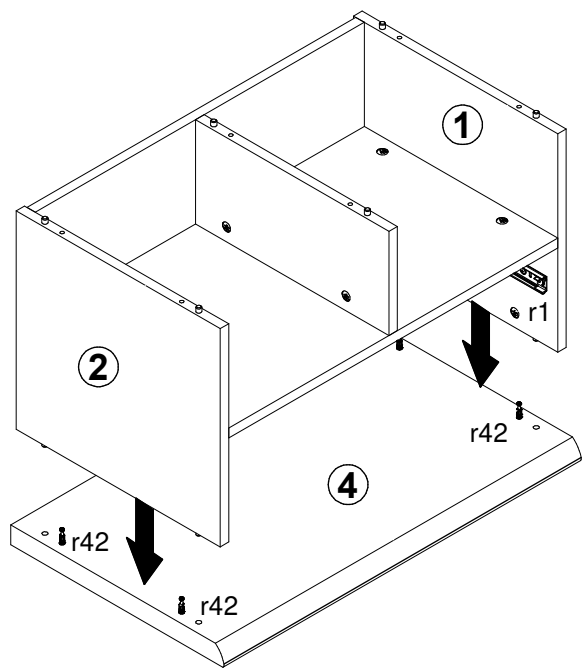
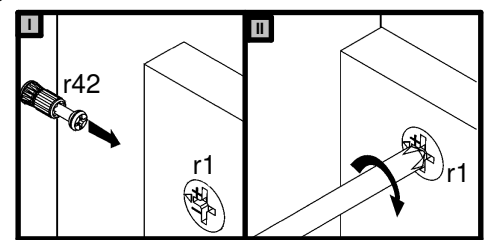
2



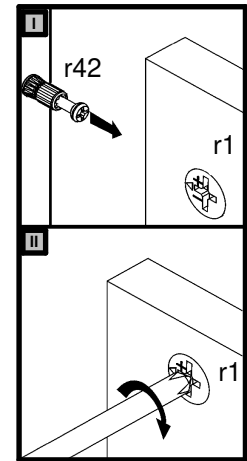
3



4



5

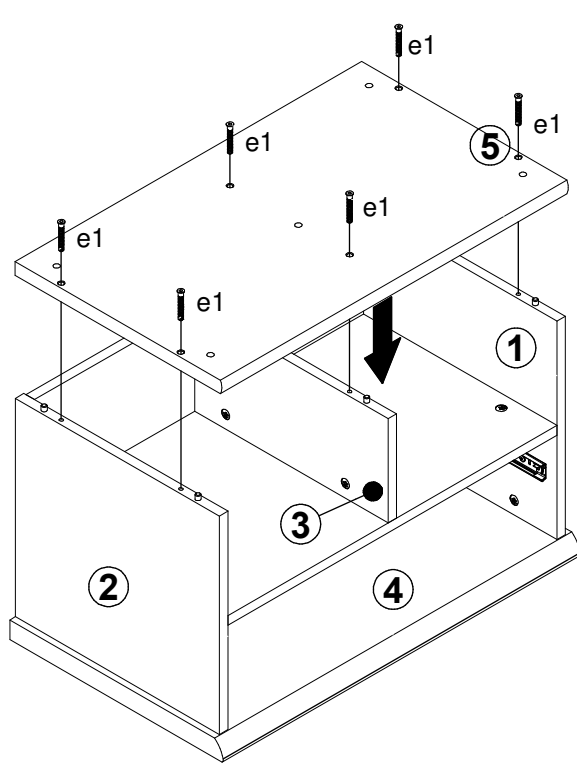
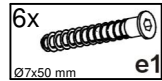
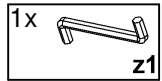
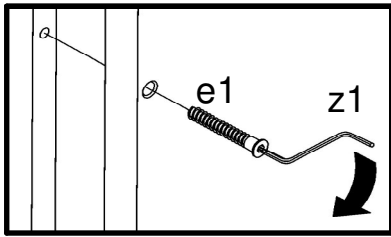


A

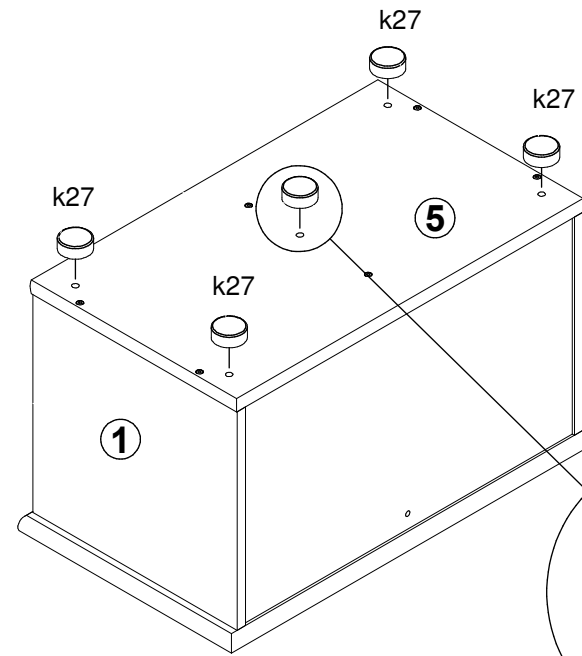
M196-SFK1S/5/7

3064--60

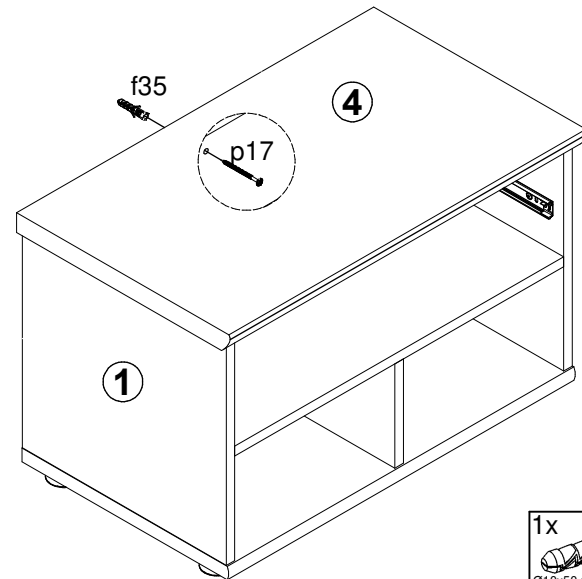
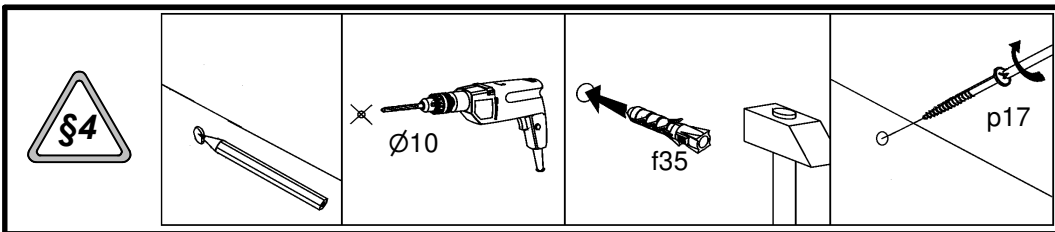
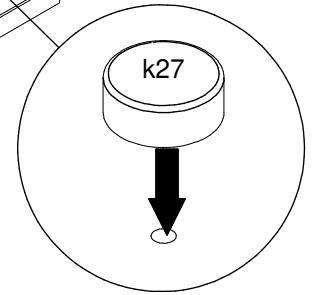
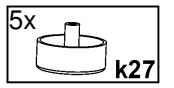
6 / 8



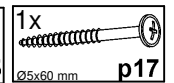
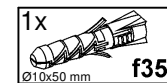
6



7



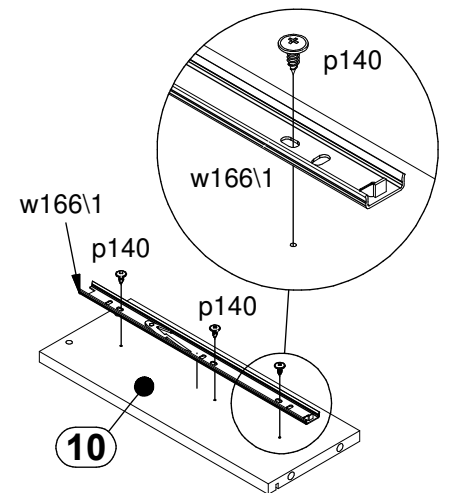
8



9

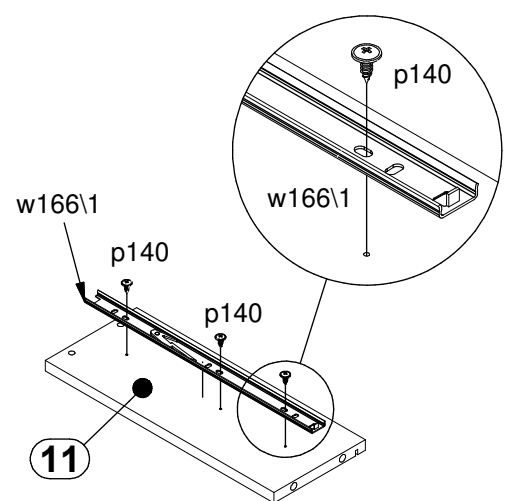


I



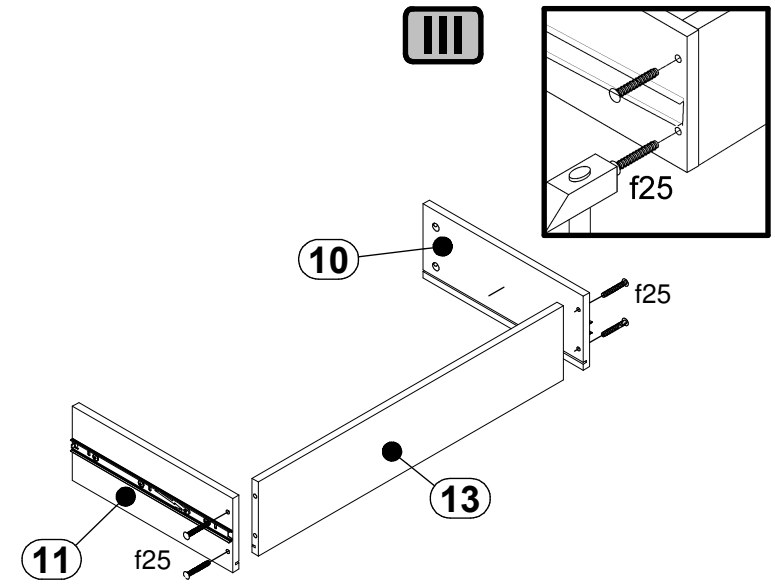
- 1x w166\1 300 mm
- 3x p140 Ø3,5x12mm

II



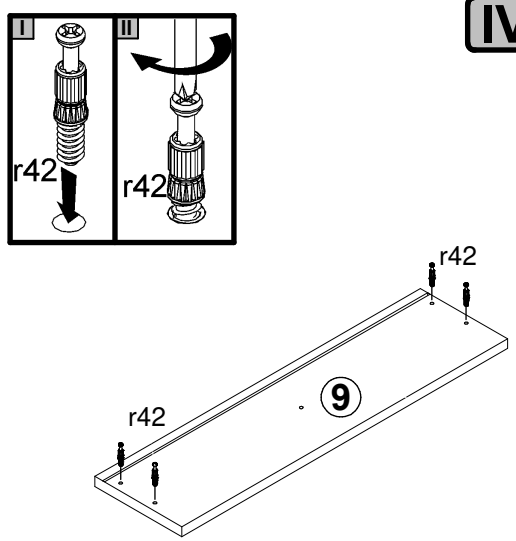
- 1x w166\1 300 mm
- 3x p140 Ø3,5x12mm

III



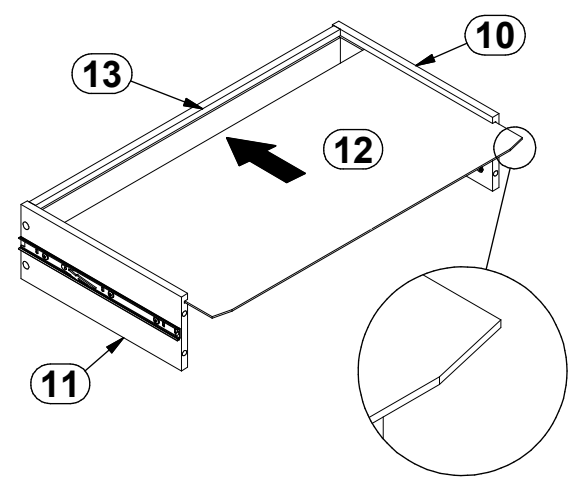
- 4x f25 Ø6,5x40 mm

IV

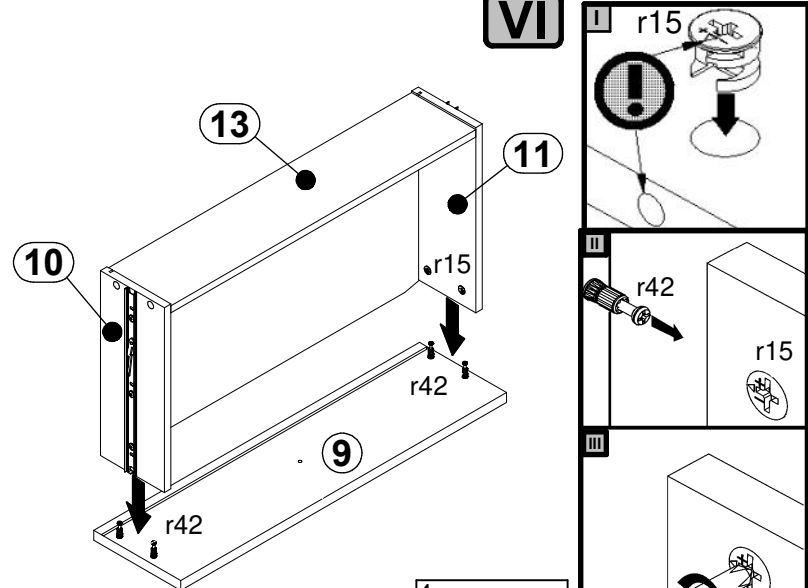


- 4x r42

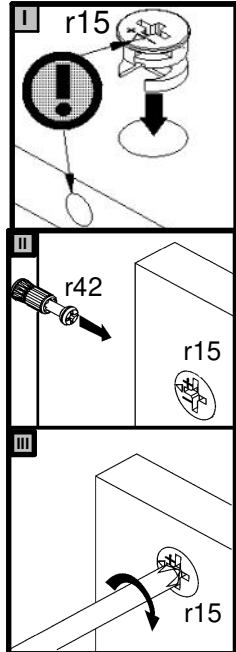
V



VI



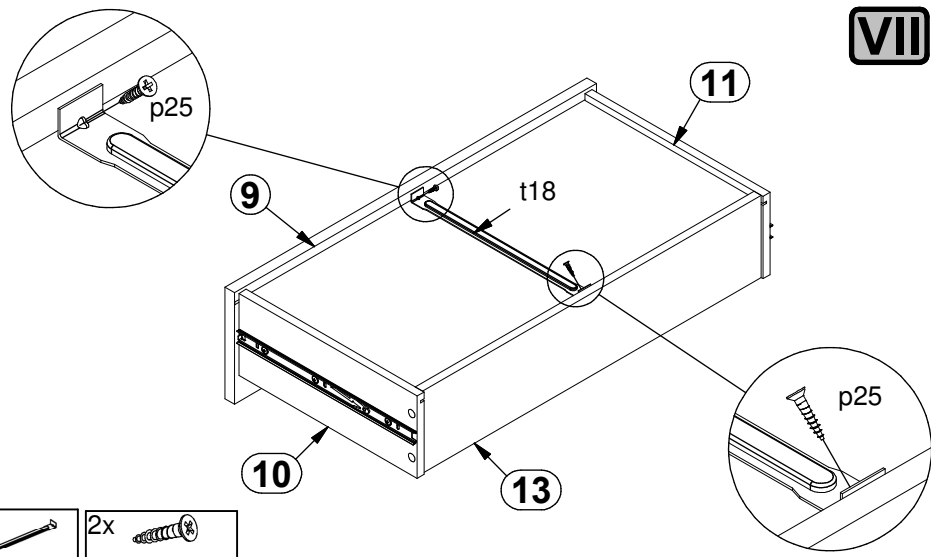
- 4x r15 Ø12x10,5 mm #12



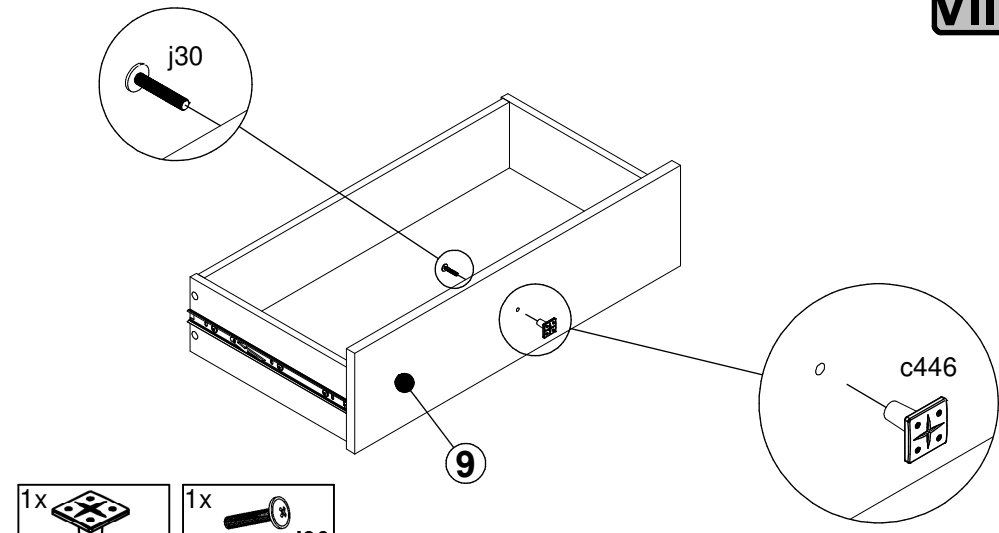
9

VII

VII

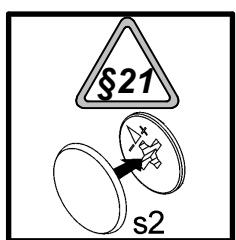


- 1x t18 283 mm
- 2x p25 Ø3,5x16 mm

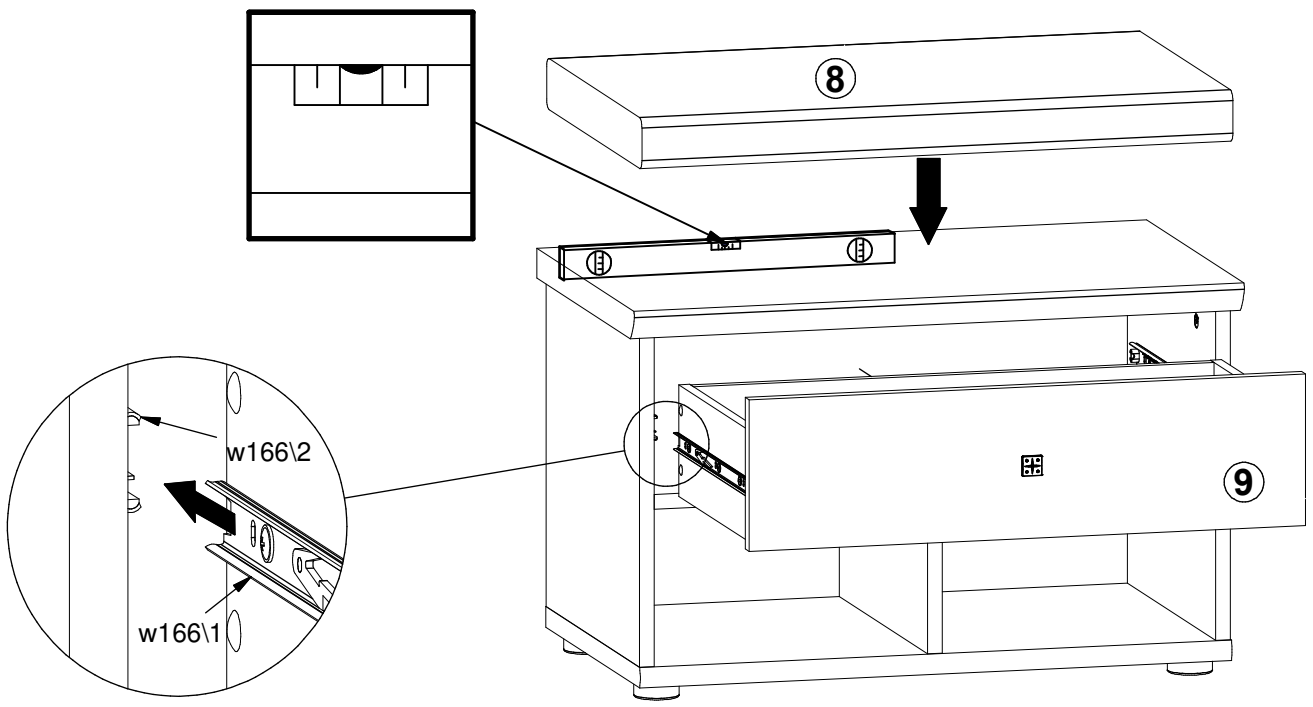


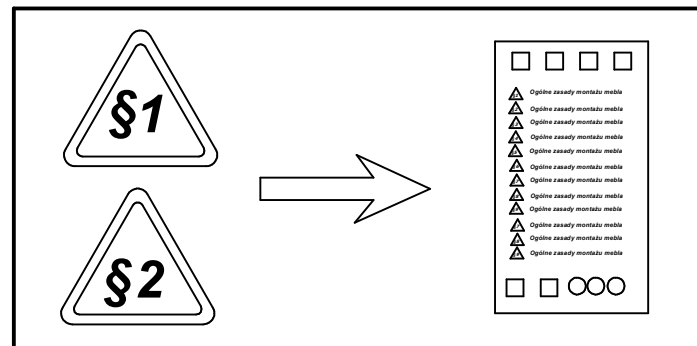
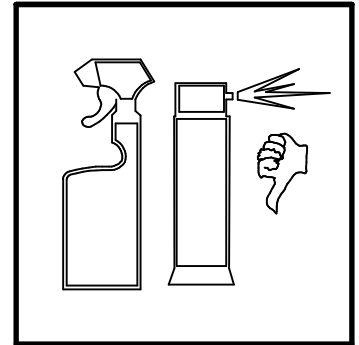
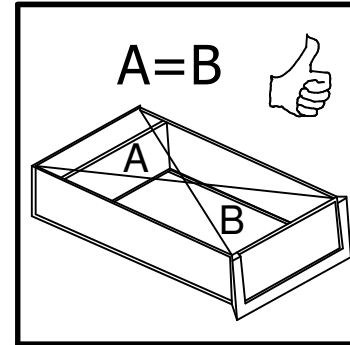
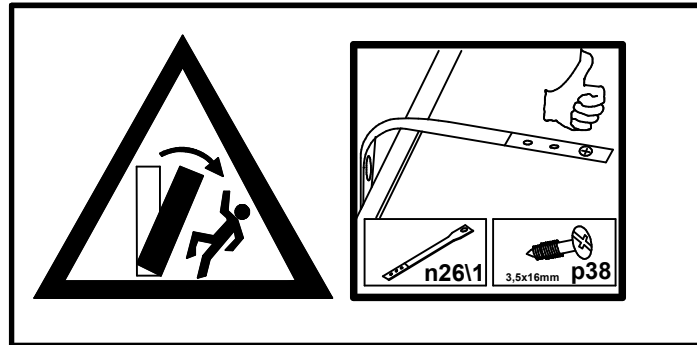
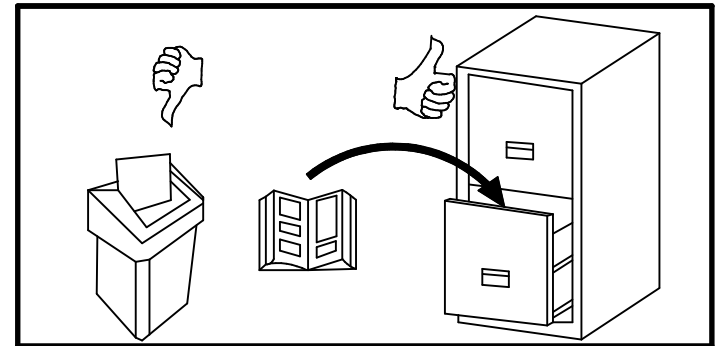
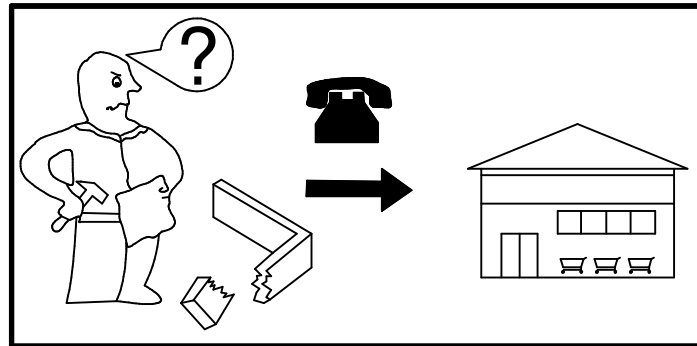
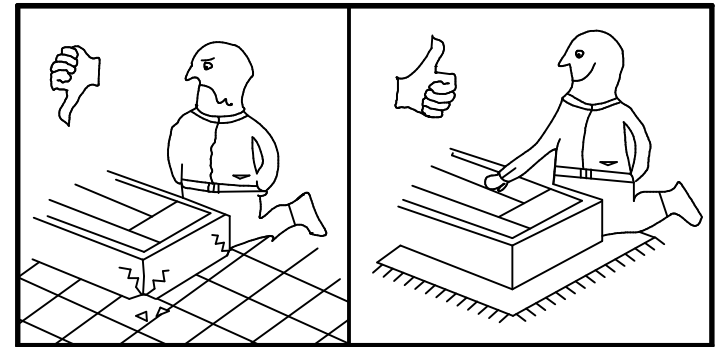
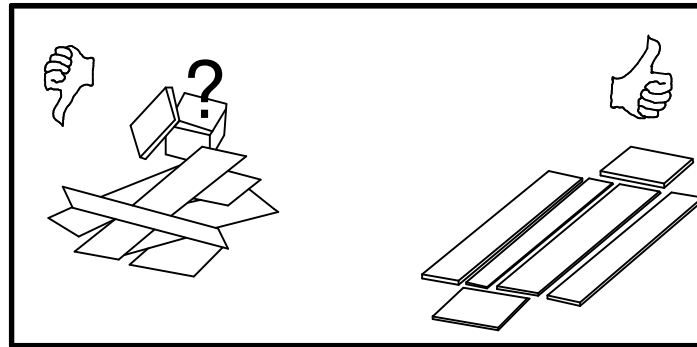
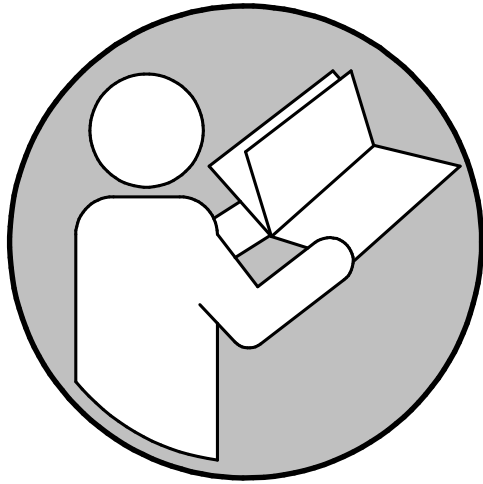
- 1x c446
- 1x j30 M4x22 mm

10

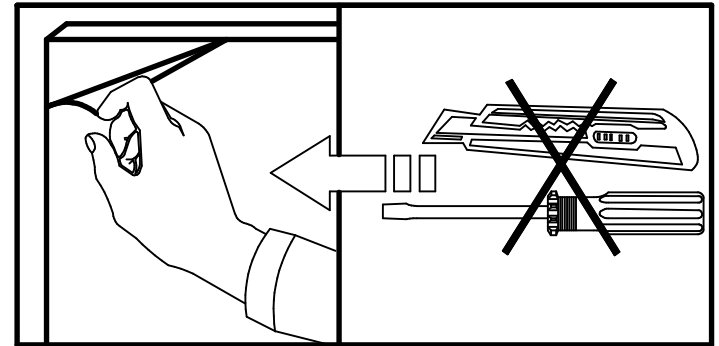


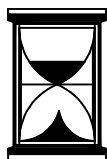
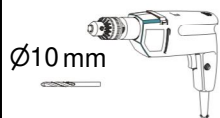
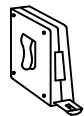
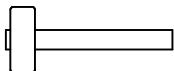
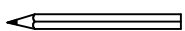
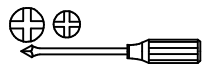
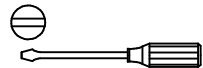
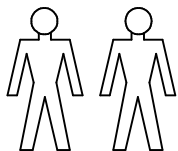
- 2x s2 Ø16



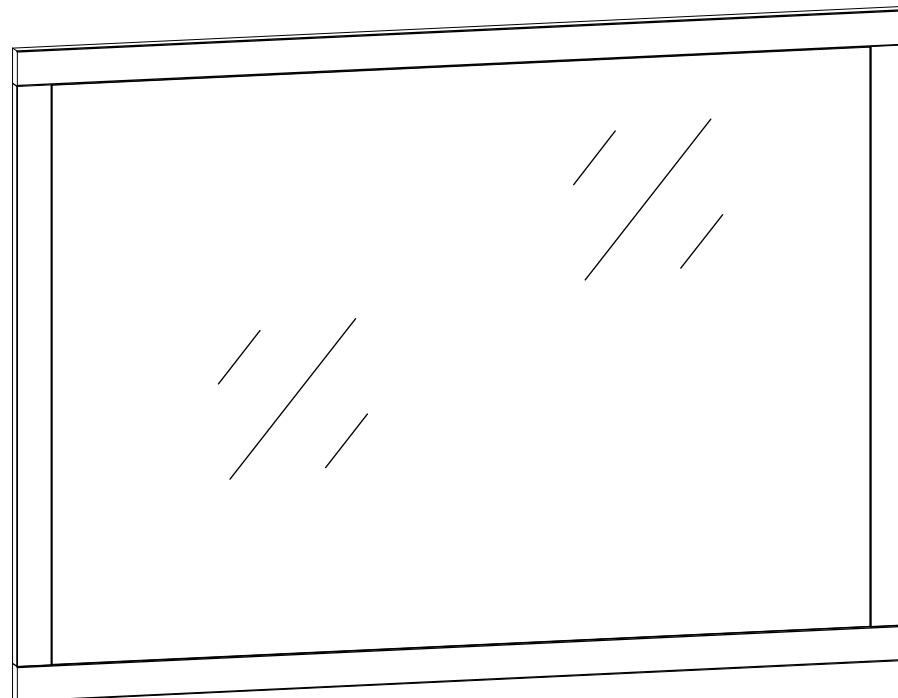


<input type="checkbox"/>	<input type="checkbox"/>	<input type="checkbox"/>	<input type="checkbox"/>	<input type="checkbox"/>
▲	▲	▲	▲	▲
▲	▲	▲	▲	▲
▲	▲	▲	▲	▲
▲	▲	▲	▲	▲
▲	▲	▲	▲	▲
▲	▲	▲	▲	▲
▲	▲	▲	▲	▲
▲	▲	▲	▲	▲
▲	▲	▲	▲	▲
▲	▲	▲	▲	▲
□	□	○	○	○

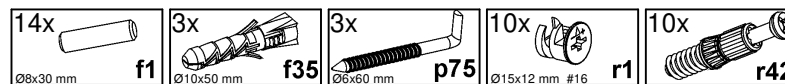




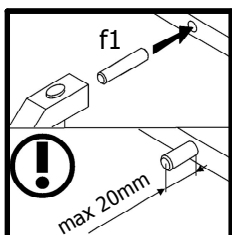
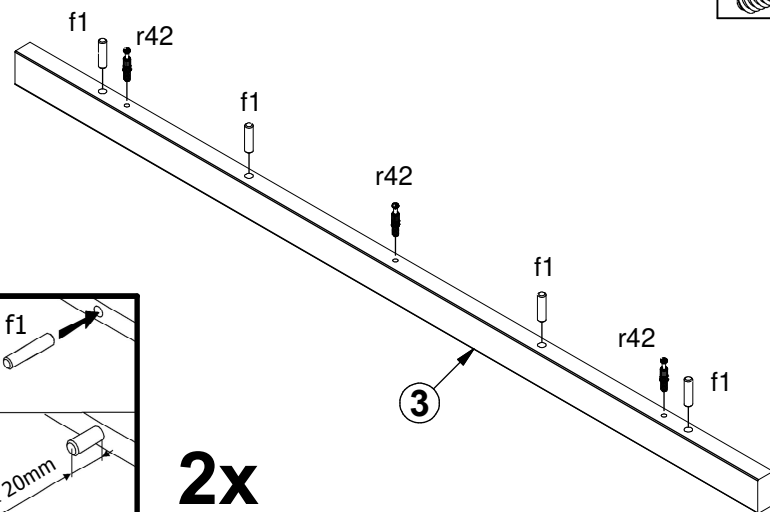
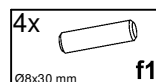
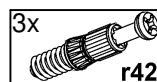
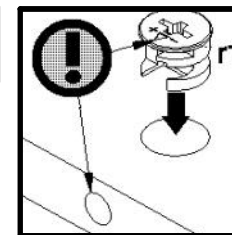
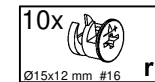
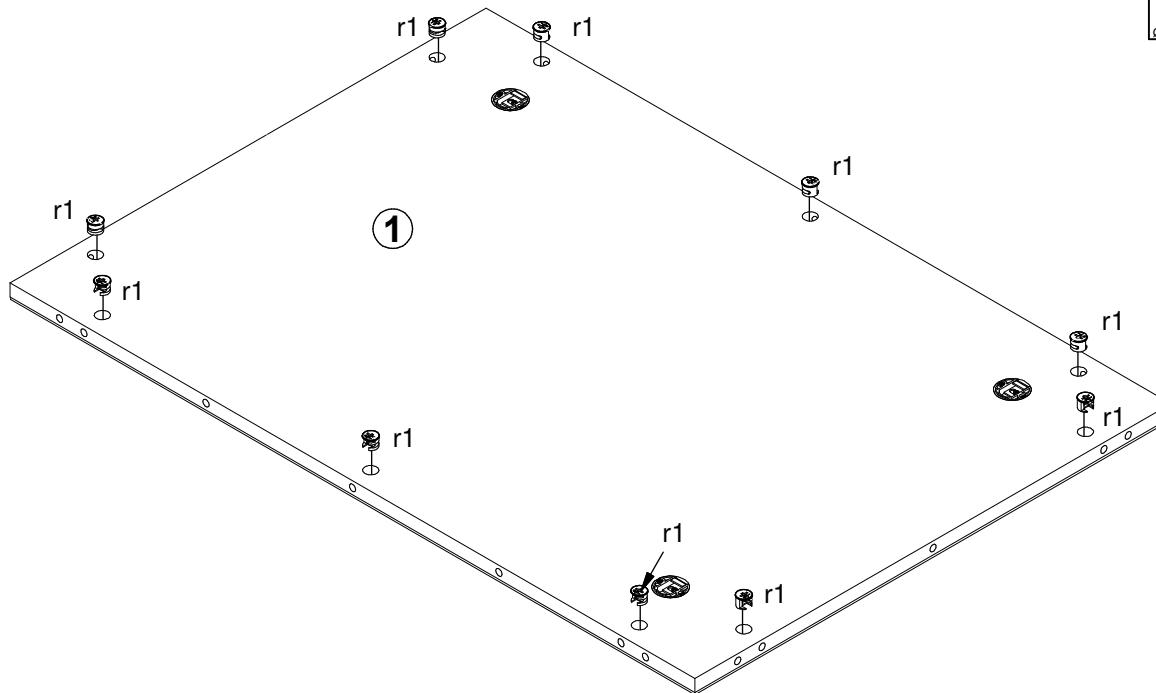
20min



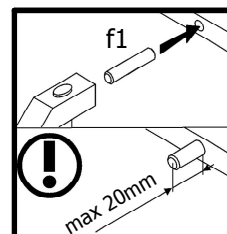
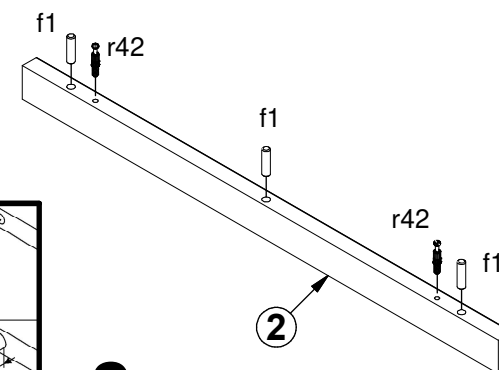
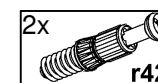
A	B	C (mm)		D
1	M196-4501	624	898	1/1
2	M196-5508	624	38	1/1
3	M196-5509	974	38	1/1



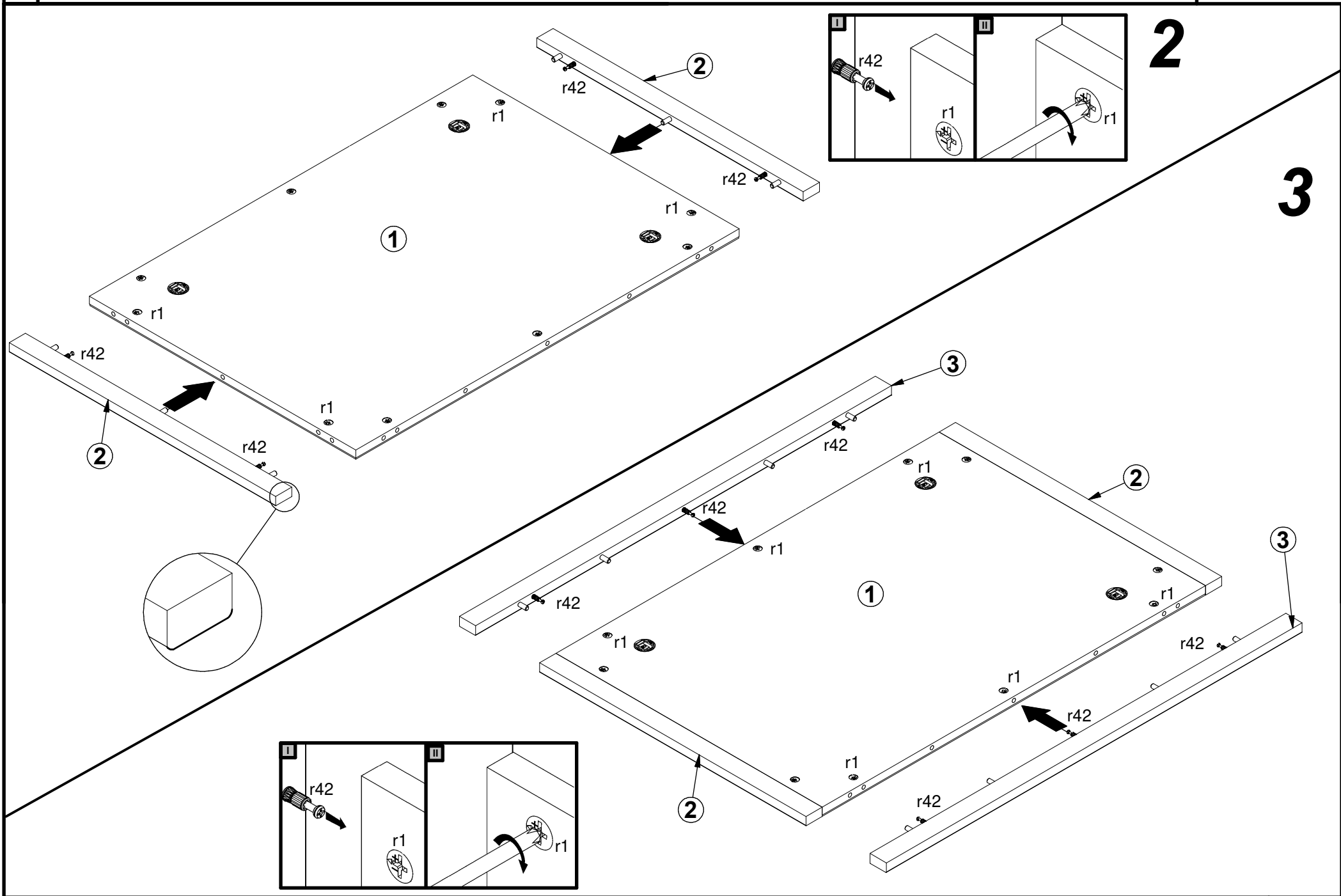
1



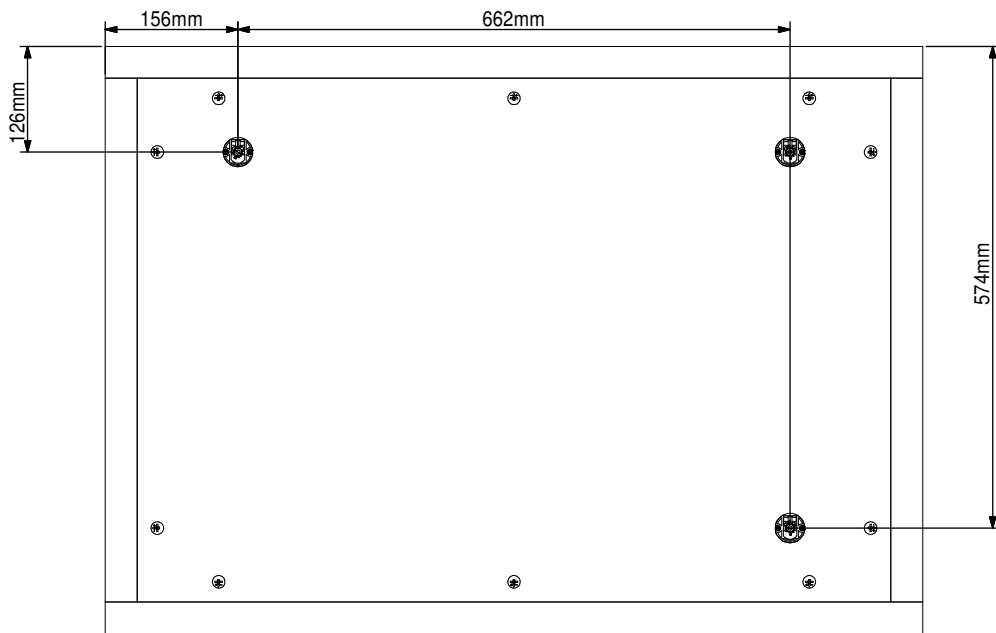
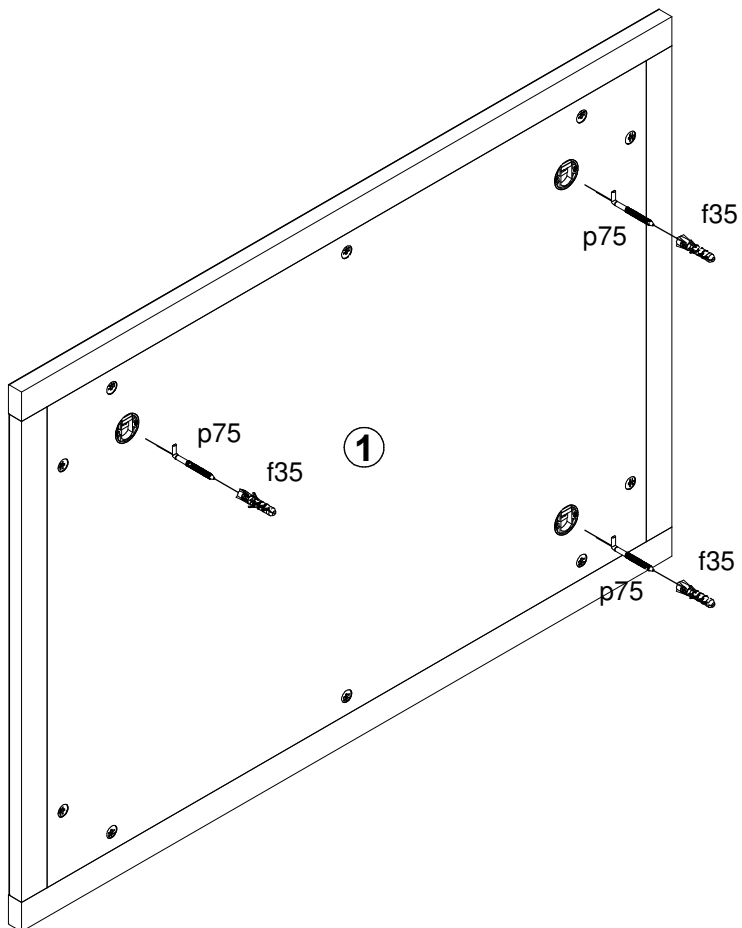
2x

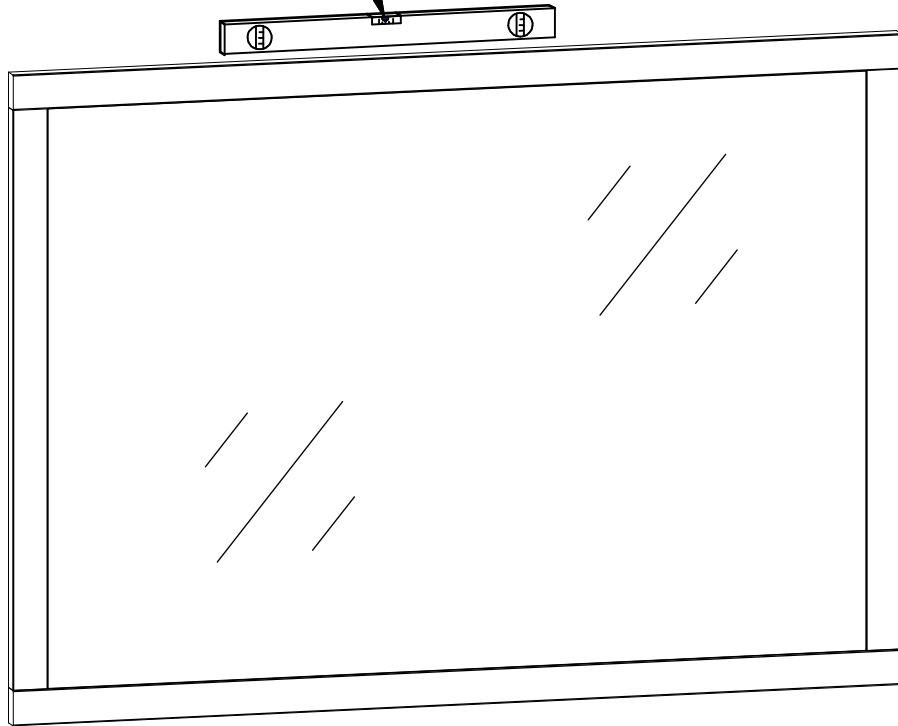
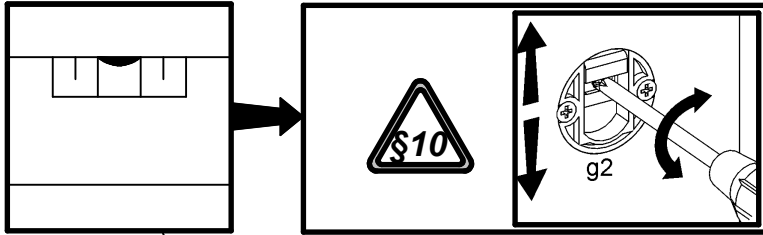


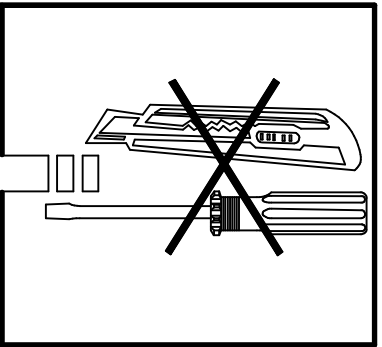
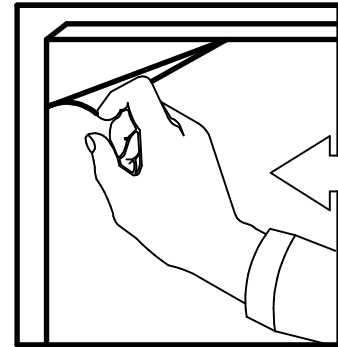
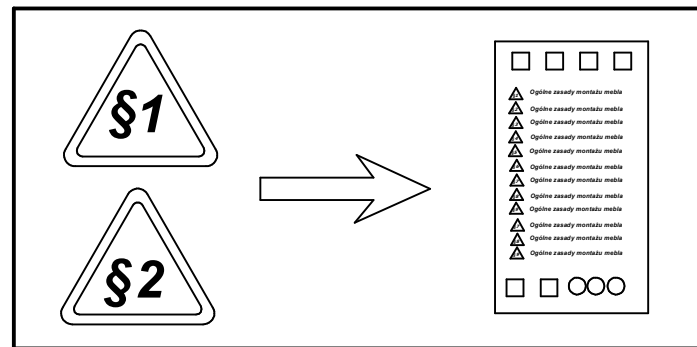
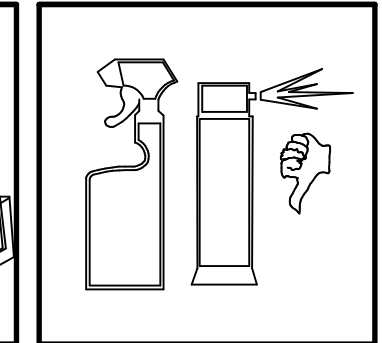
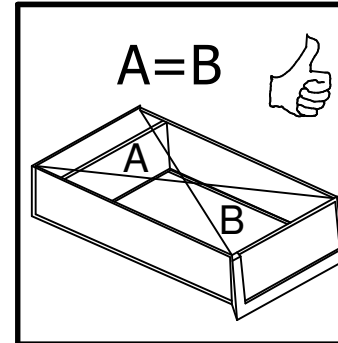
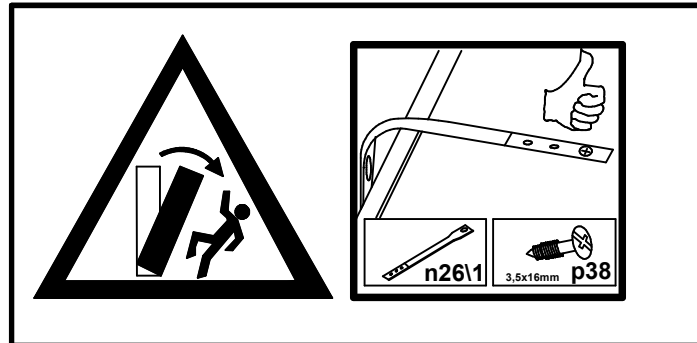
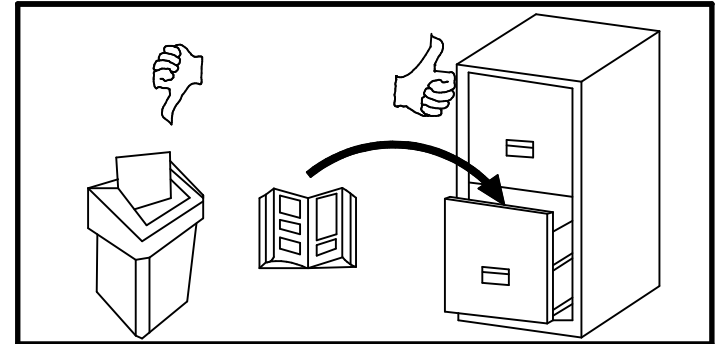
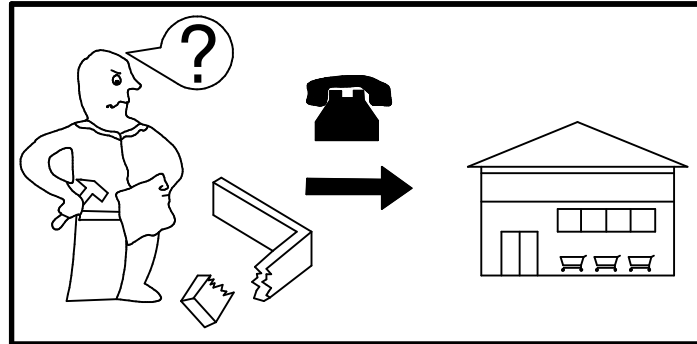
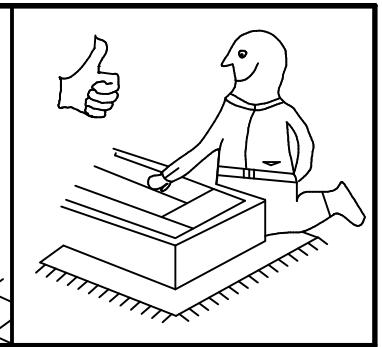
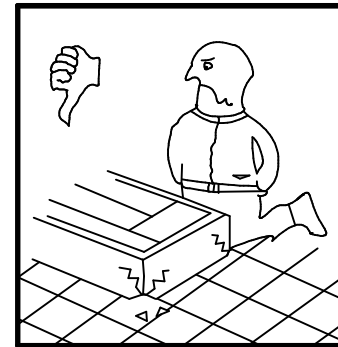
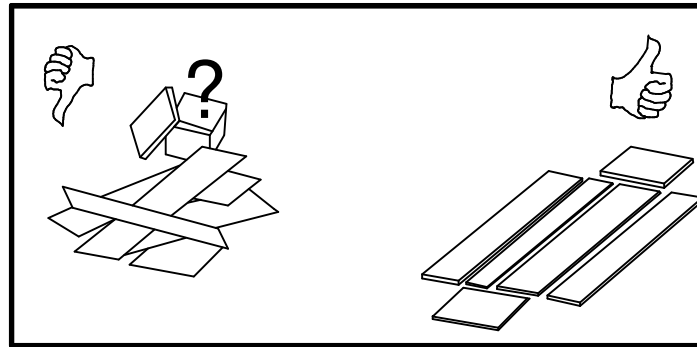
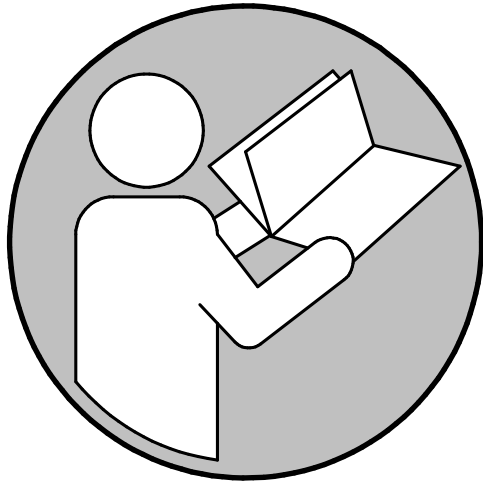
2x

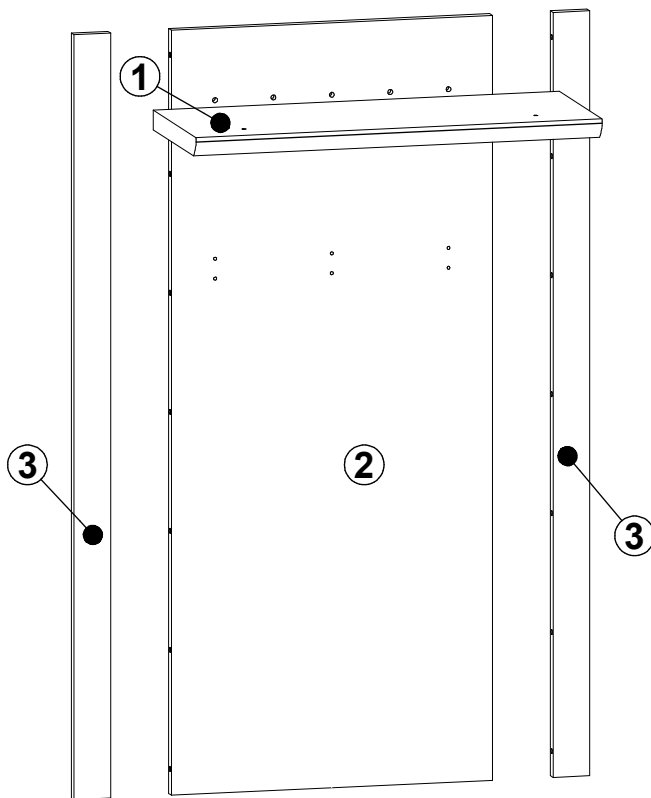
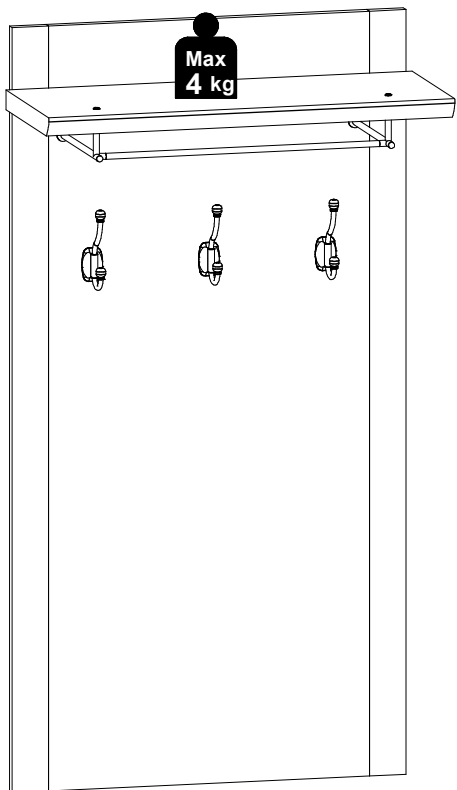
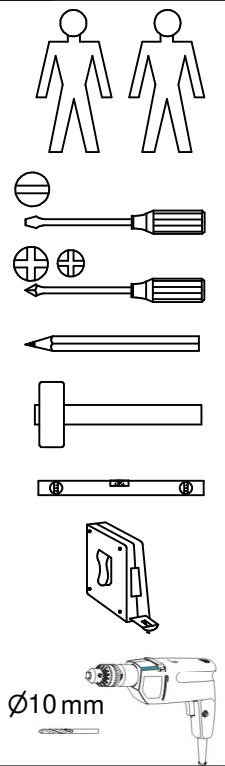


	<p>φ10 mm</p>	<p>f35</p>	<p>f35 p75</p>	<p>f35 p75</p>	<p>p75</p>	<p>p75</p>	<p>p75</p>
--	---------------	------------	----------------	----------------	------------	------------	------------

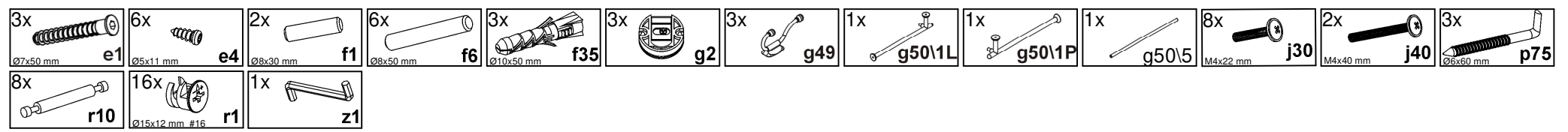








A	B	C (mm)		D
1	M196-3008	668	264	1/1
2	M196-4304	1234	528	1/1
3	M196-5507	1234	60	1/1



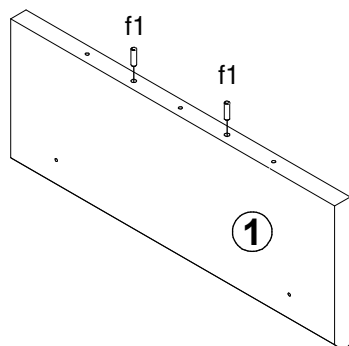
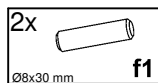
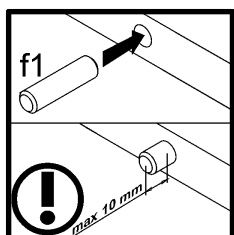
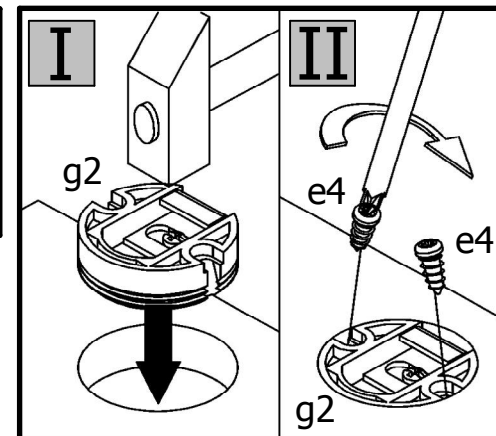
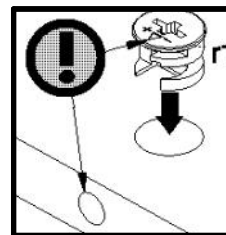
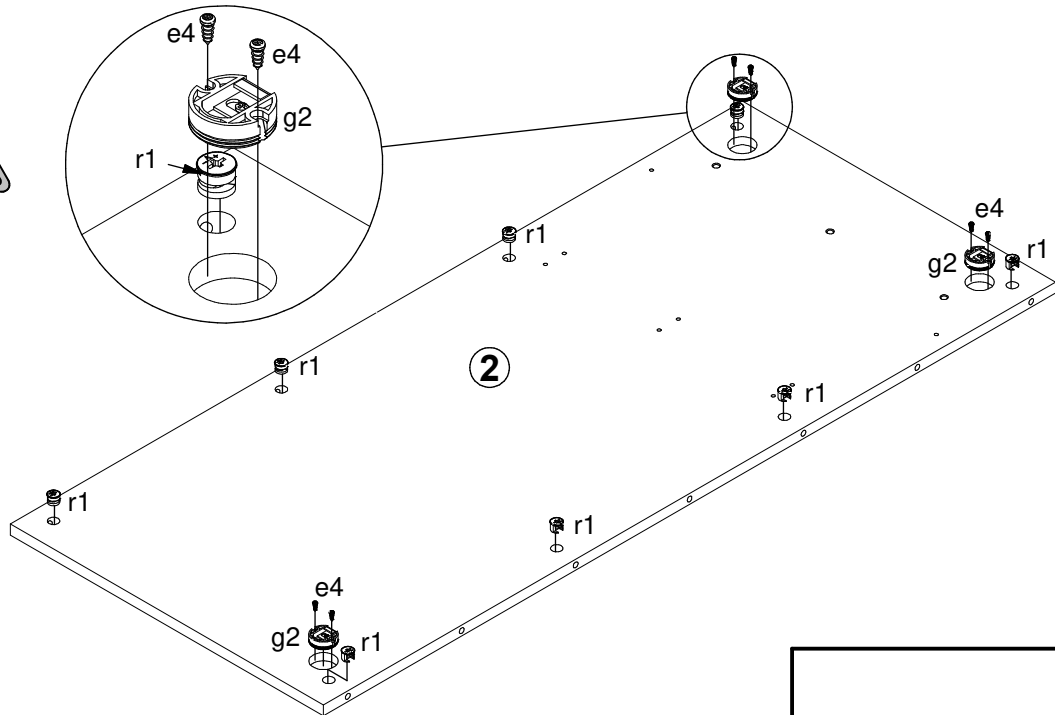
A

M196-PAN/12/7

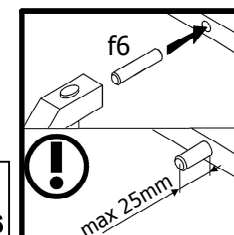
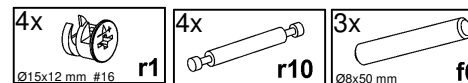
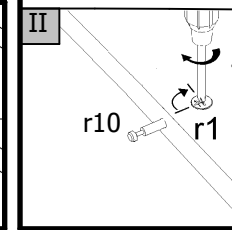
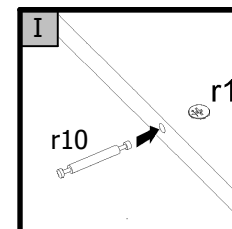
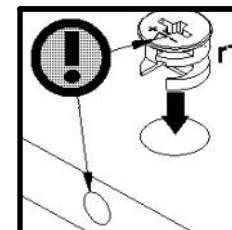
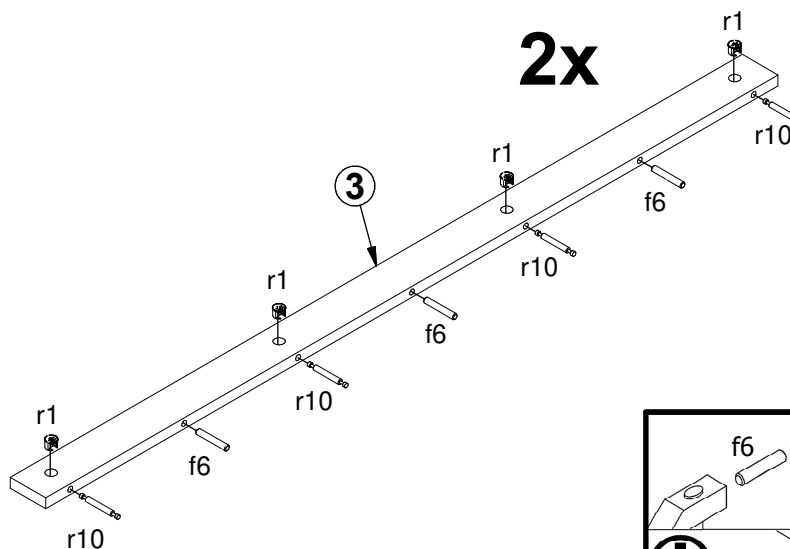
3064--41

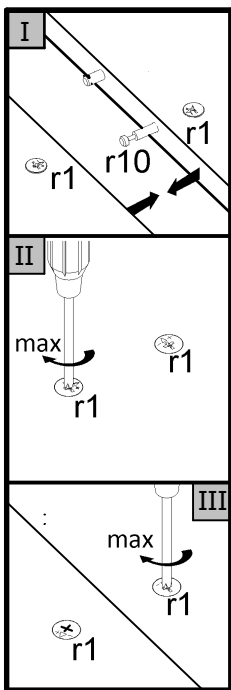
3 / 6

1

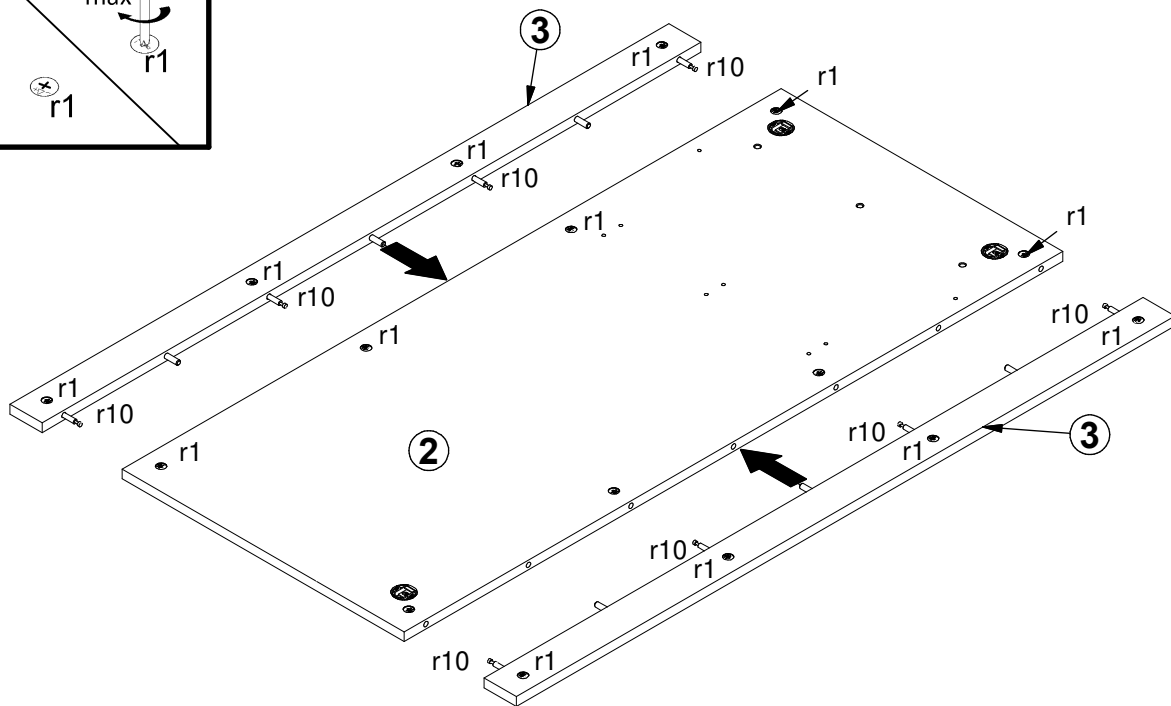


2x

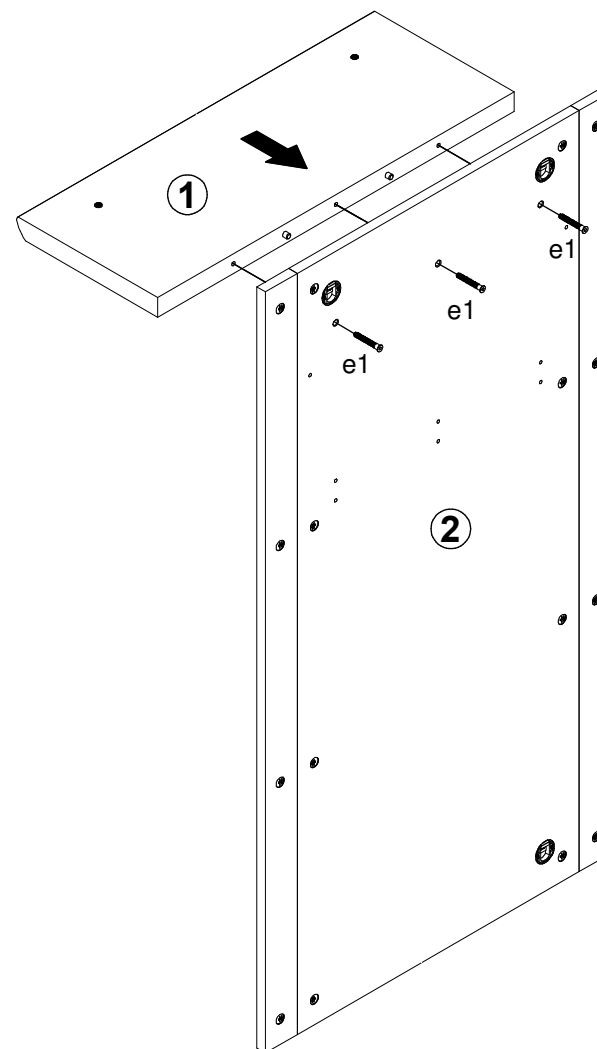
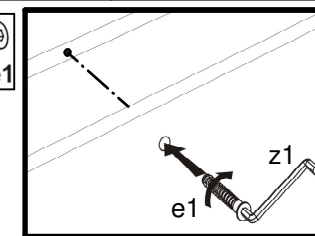
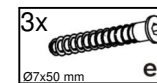




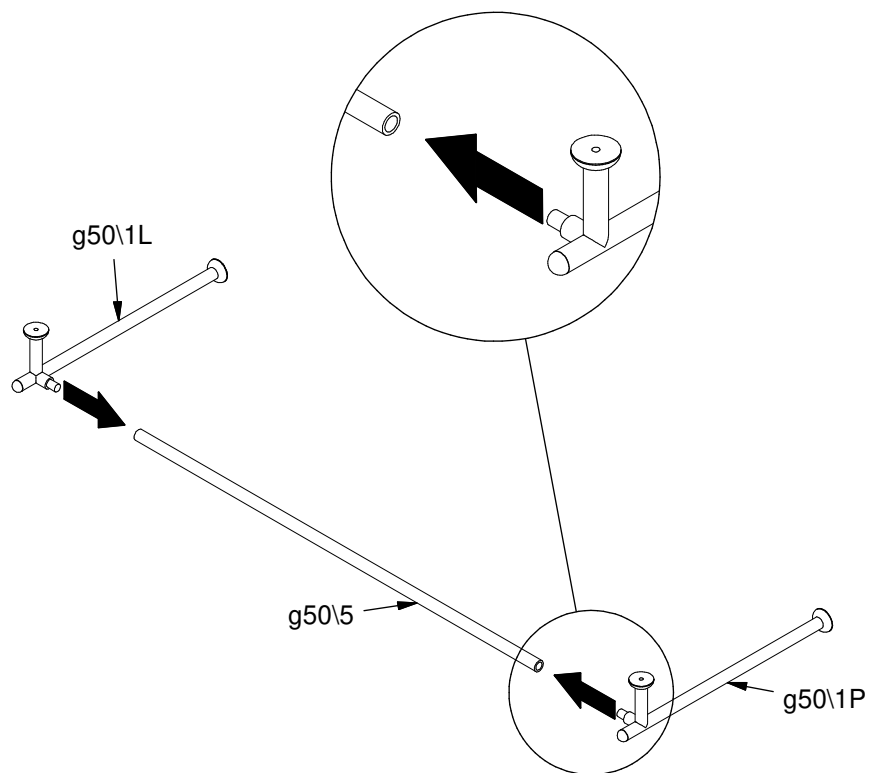
2



3

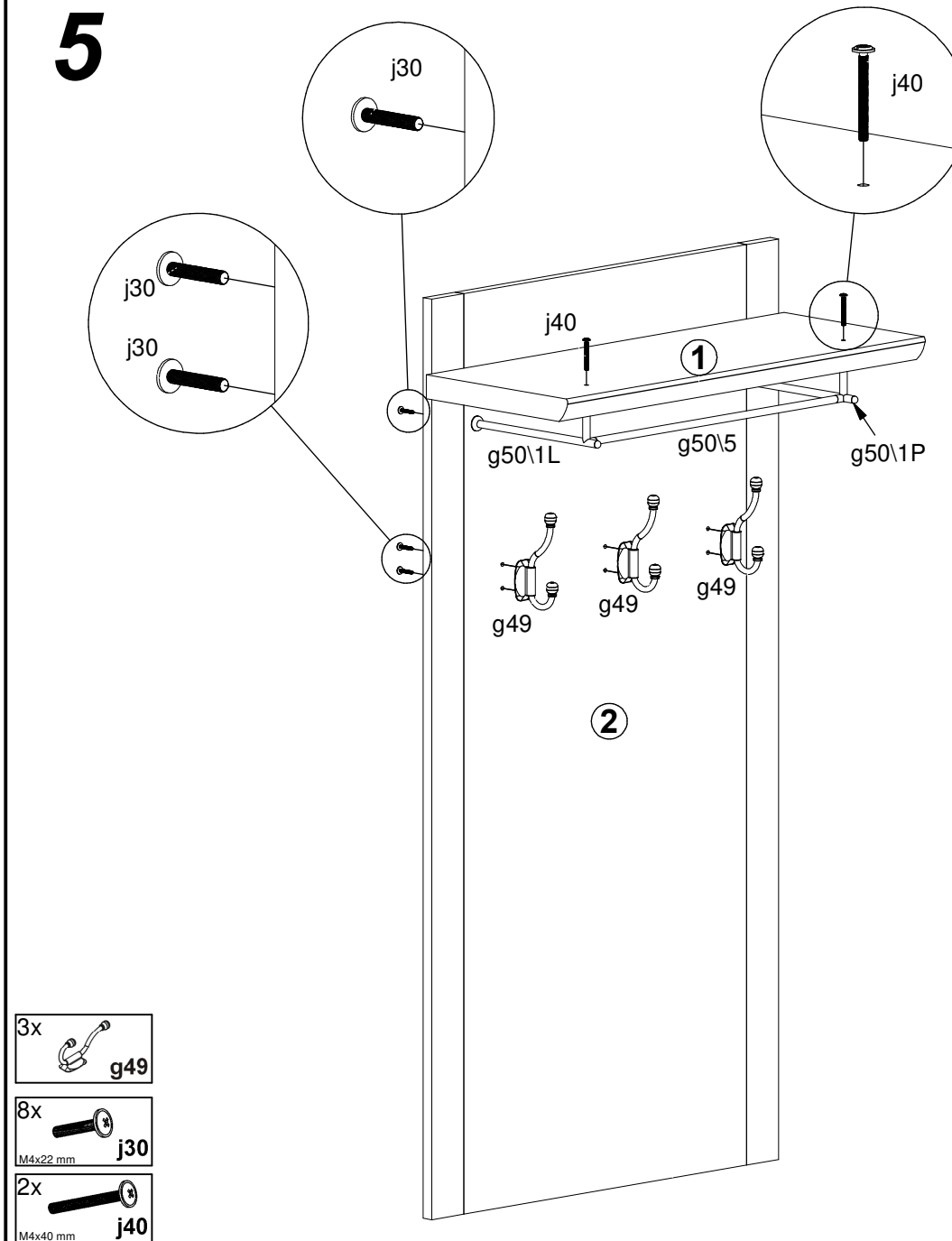


4



- 1x
 g50\5
- 1x
 g50\1L
- 1x
 g50\1P

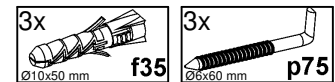
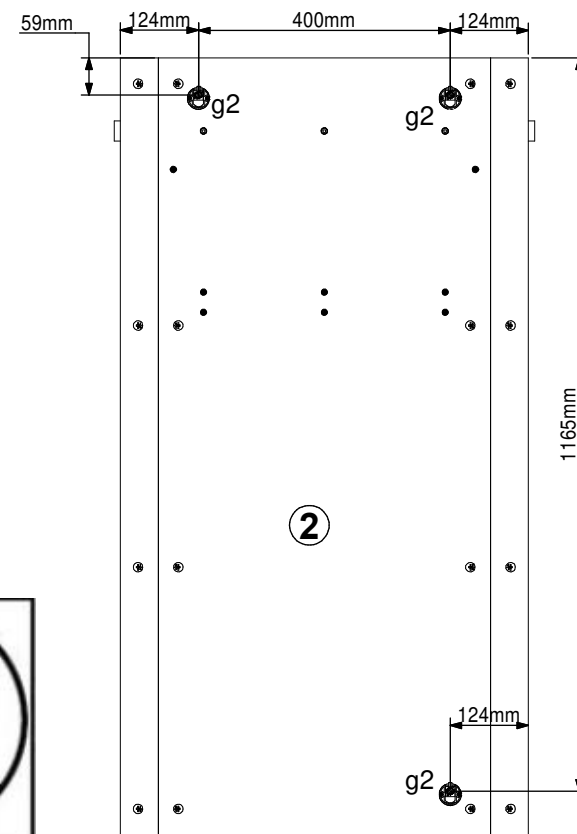
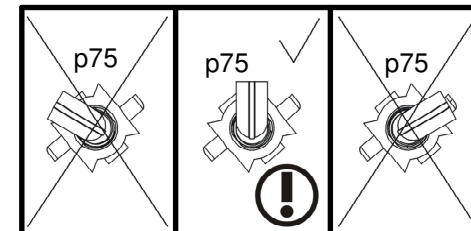
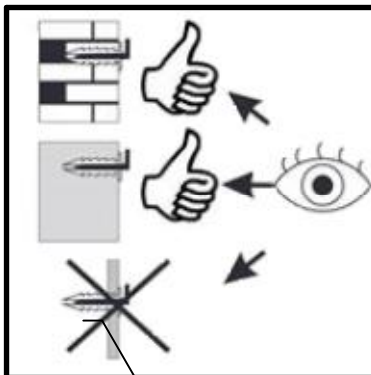
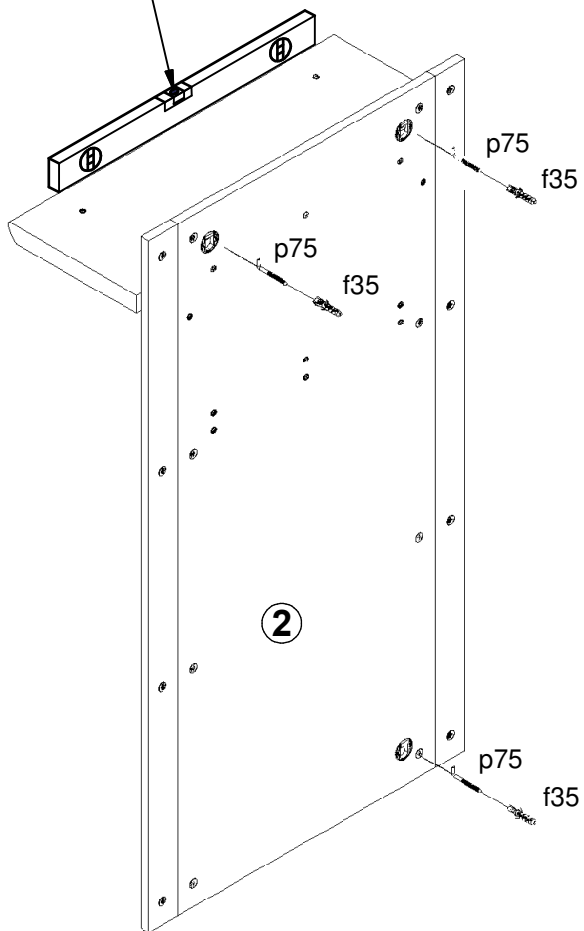
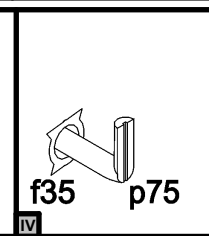
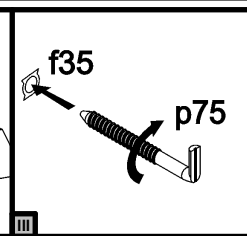
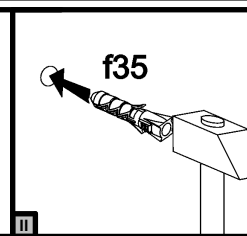
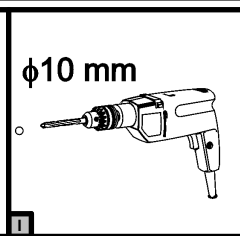
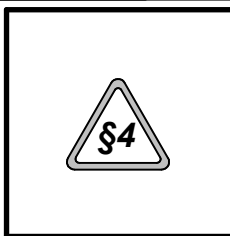
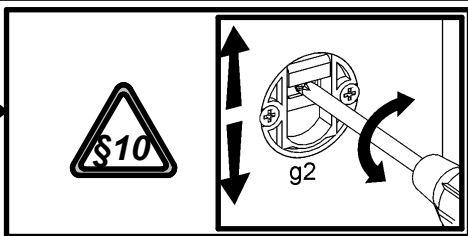
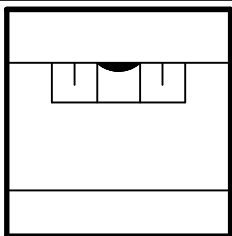
5

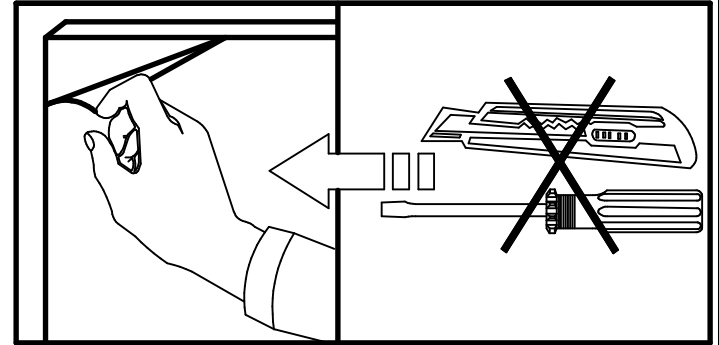
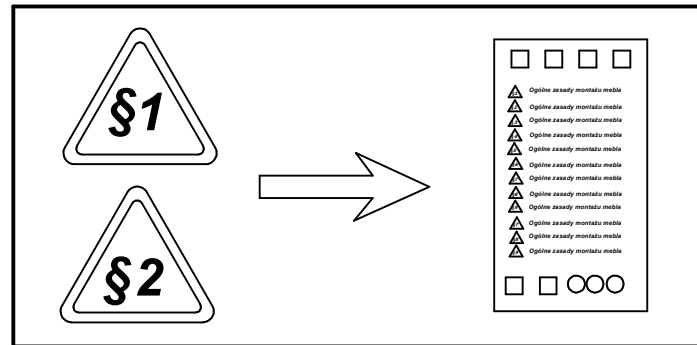
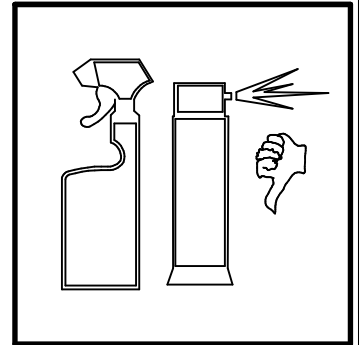
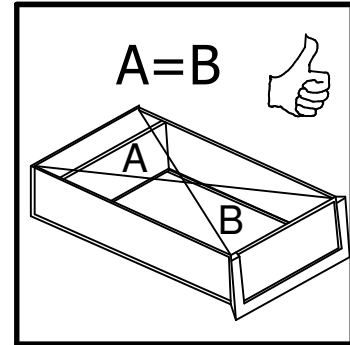
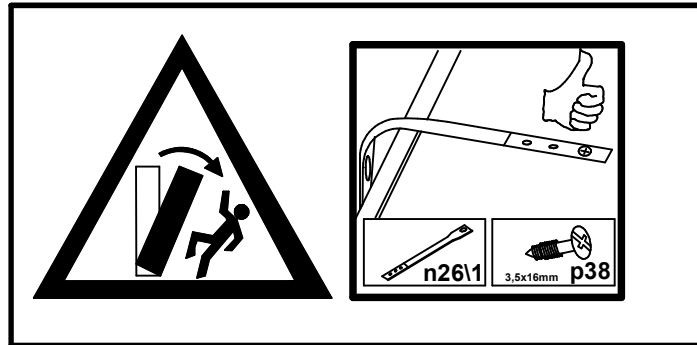
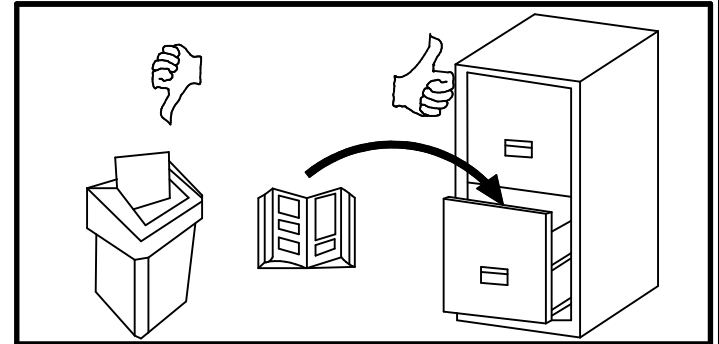
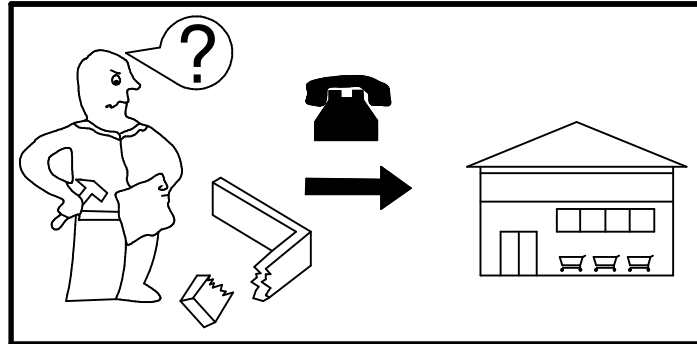
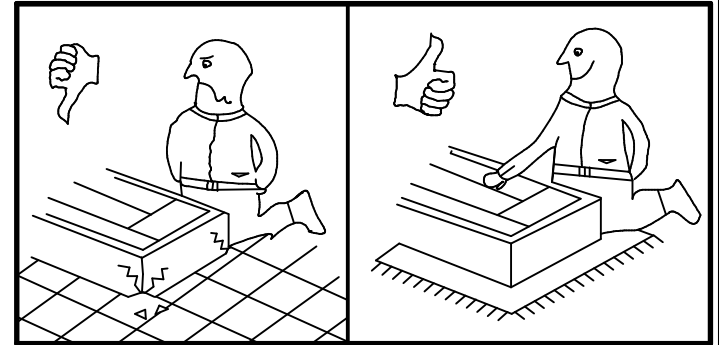
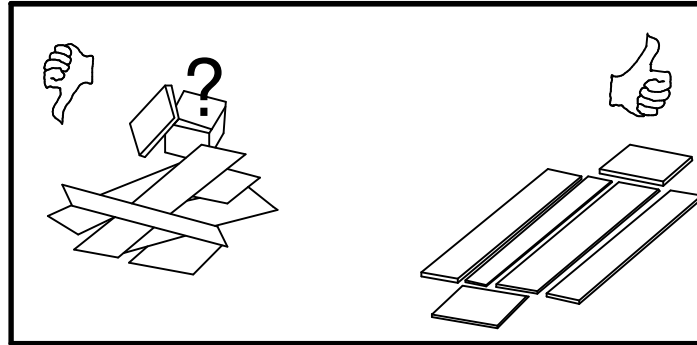
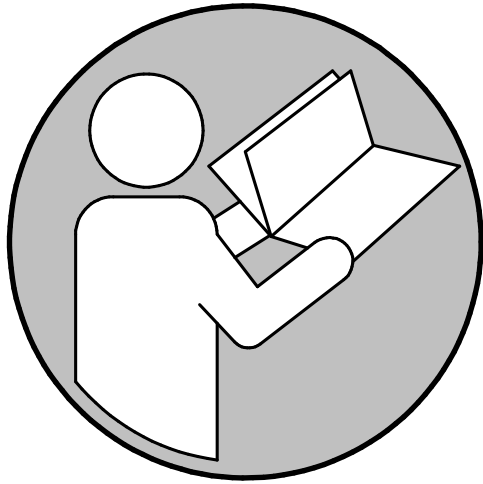


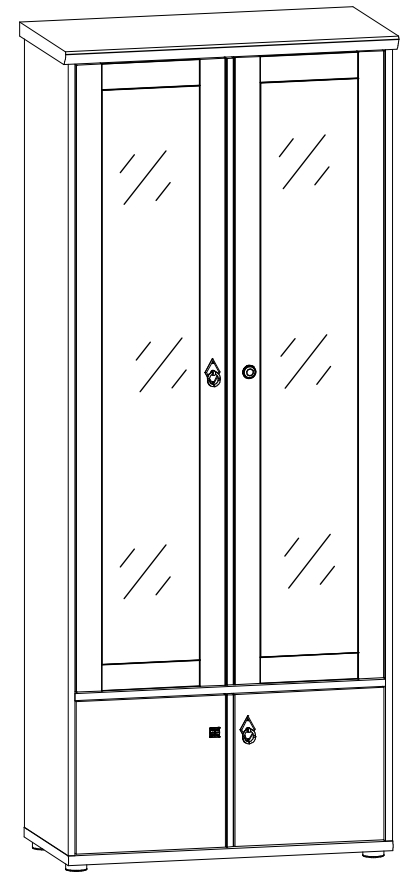
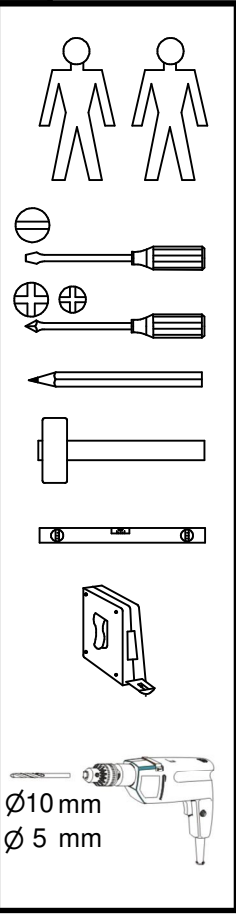
- 3x
 g49

- 8x
 j30
M4x22 mm

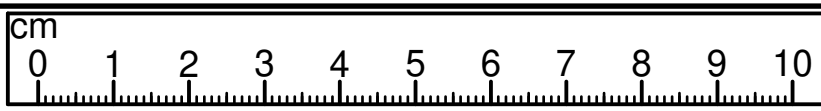
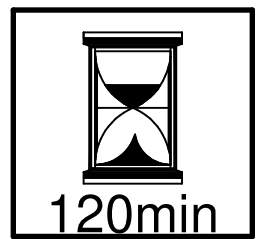
- 2x
 j40
M4x40 mm



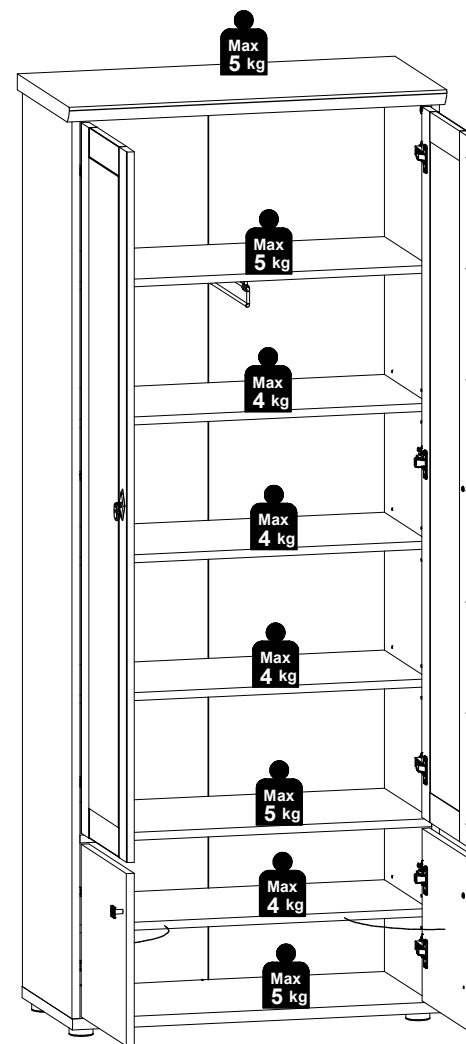
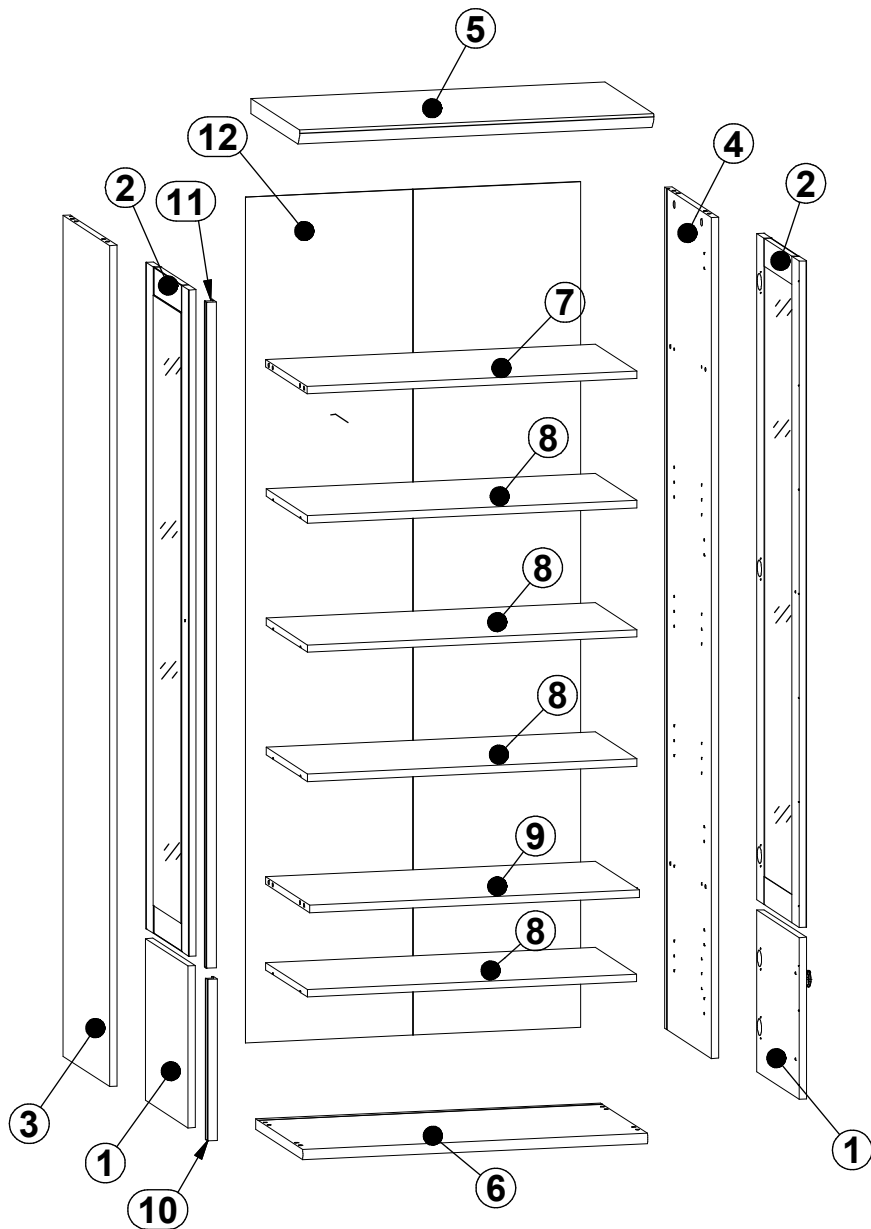




A	B	C (mm)		D
1	M196-0001	348	348	2/2
2	M196-0002A	1433	348,	2/2
3	M196-1001	1809	382	2/2
4	M196-1002	1809	382	2/2
5	M196-2001	777	400	1/2
6	M196-2002	757	387	1/2
7	M196-3001	724	340	1/2
8	M196-3002	723,	340	1/2
9	M196-3003	724	362	1/2
10	M196-5501	347	33	2/2
11	M196-5502A	1432	33	2/2
12	M196-9301	1819,	735	2/2



4x a43	6x a101	4x b35	6x b59	1x c445	1x c446	2x c447	16x d1	4x e1	16x f1	4x j30	5x k27	14x l1
20x i2	1x m6	4x p27	10x p38	20x p51	12x r1	12x r42	8x s2	2x S82	1x z1			
									1x f35	1x n14/2	1x p17	2x p38



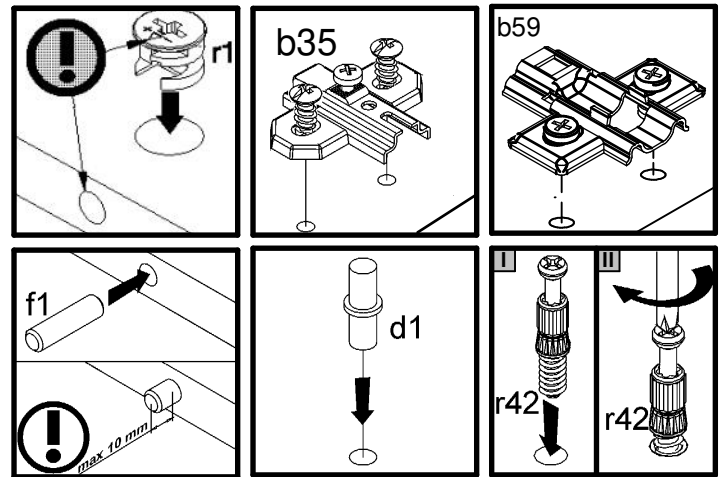
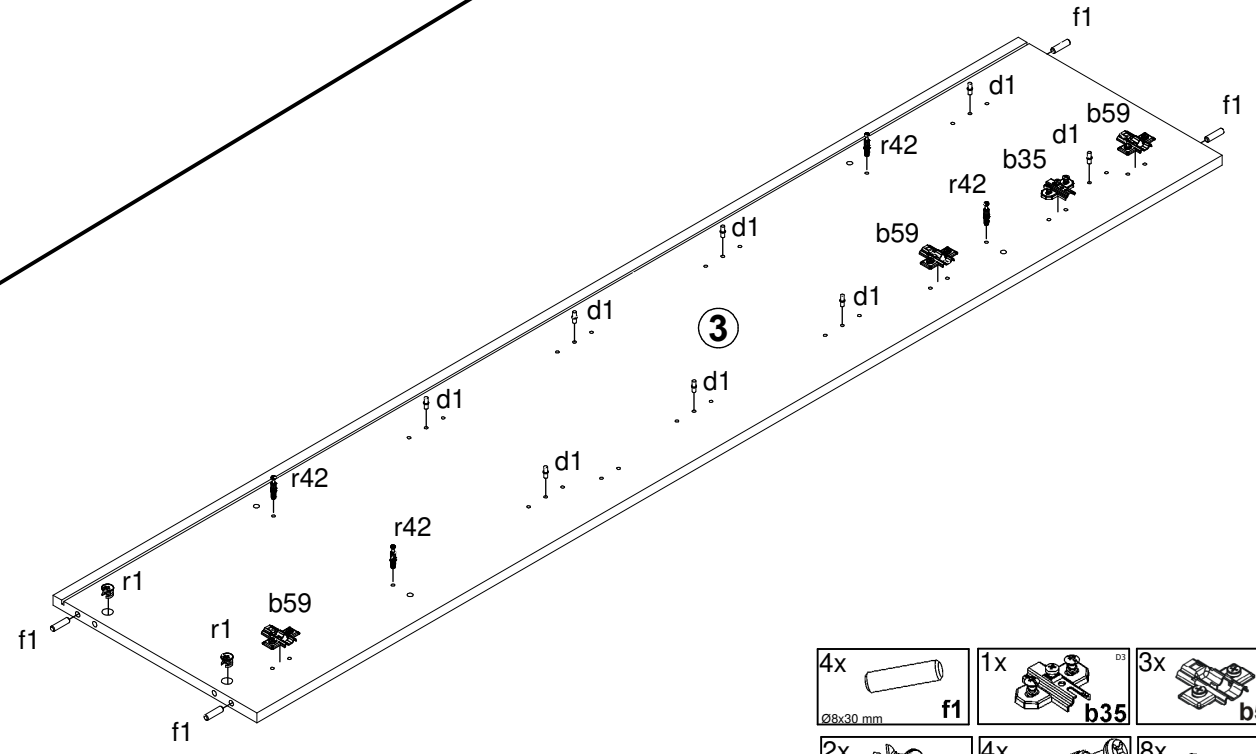
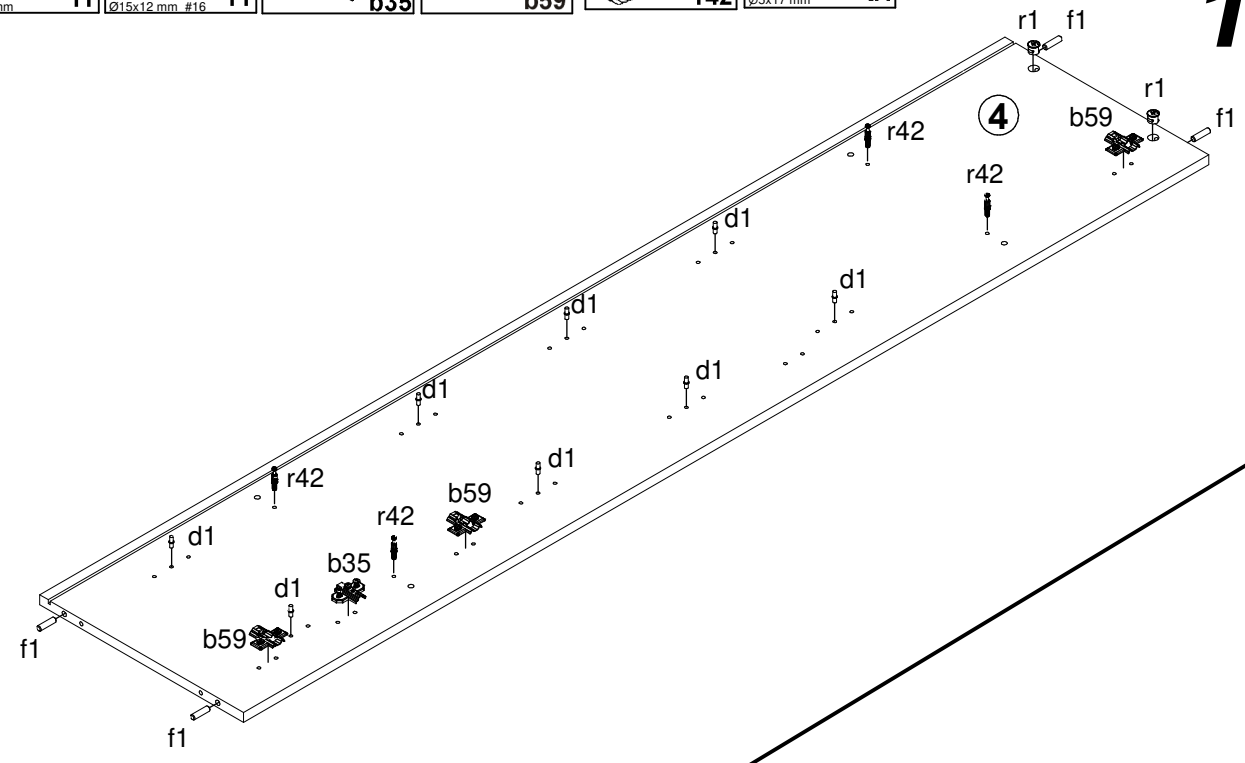
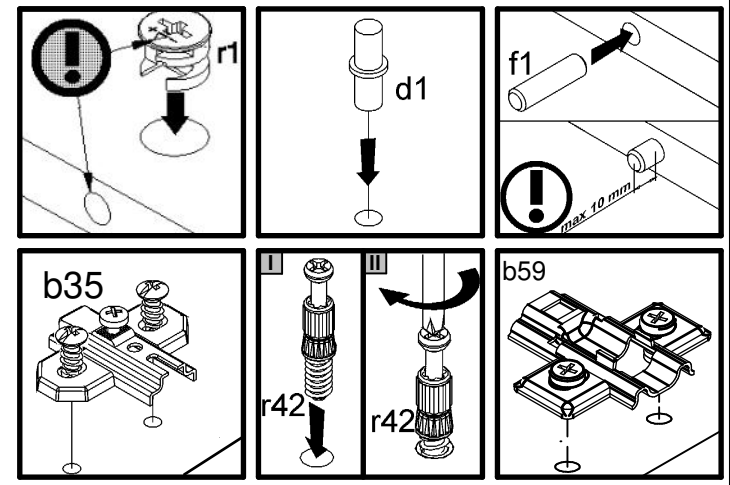
A

M196-REG2D2L/19/8

3064--01

4 / 12

4x Ø8x30 mm f1	2x Ø15x12 mm #16 r1	1x b35	3x b59	4x r42	8x Ø5x17 mm d1
----------------------	---------------------------	-----------	-----------	-----------	----------------------



4x Ø8x30 mm f1	1x b35	3x b59
2x Ø15x12 mm #16 r1	4x r42	8x Ø5x17 mm d1

A

M196-REG2D2L/19/8

3064--01

5 / 12

1

4x

Ø3,5x13 mm p27

1x

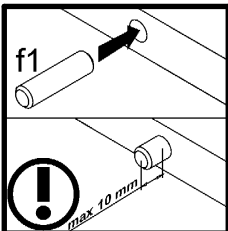
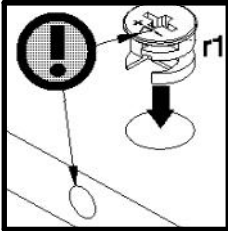
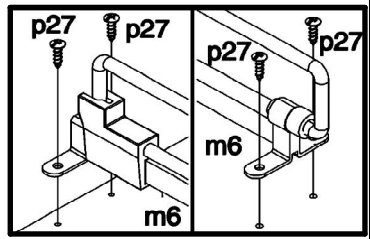
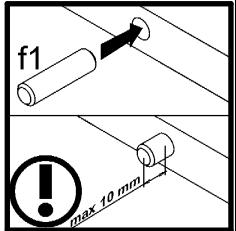
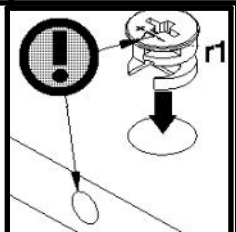
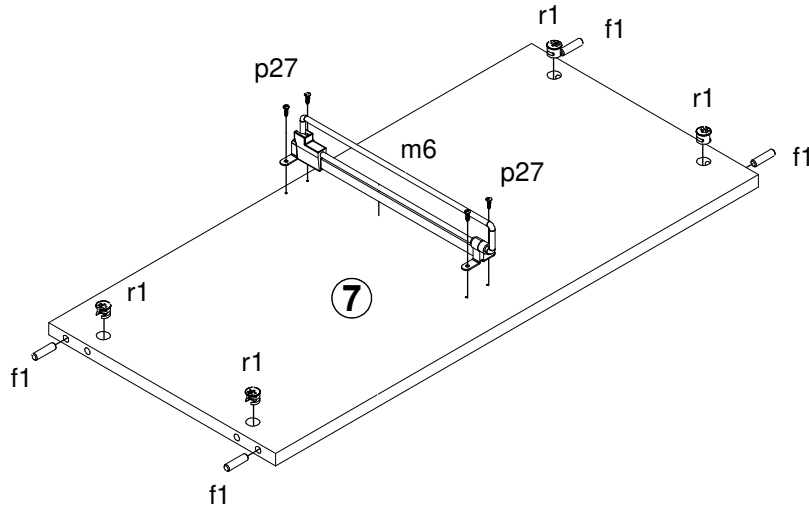
L=300 mm m6

4x

Ø15x12 mm #16 r1

4x

Ø8x30 mm f1

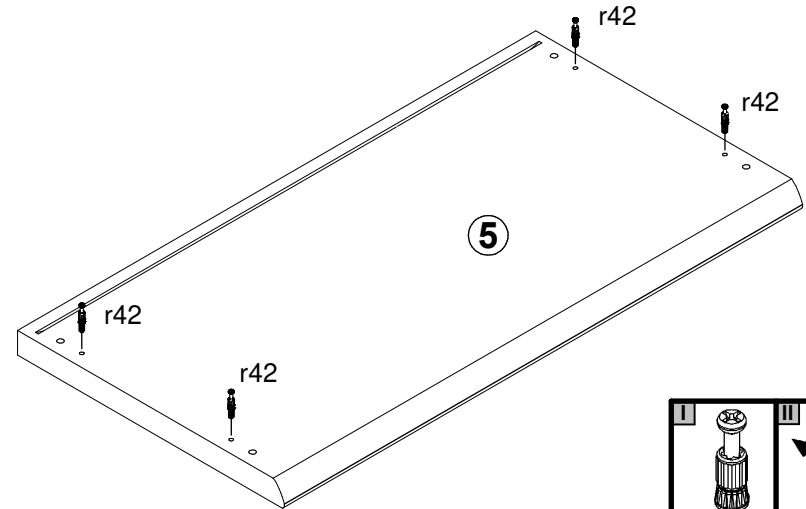
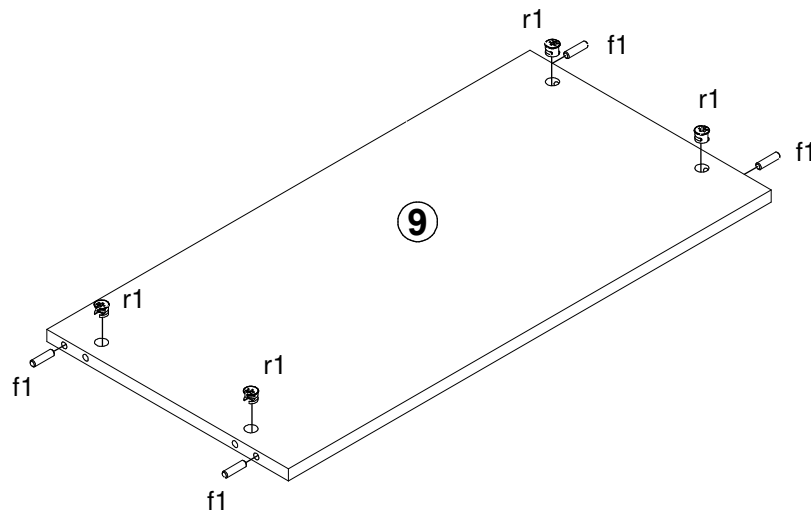


4x

Ø8x30 mm f1

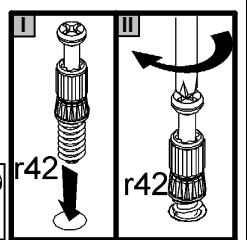
4x

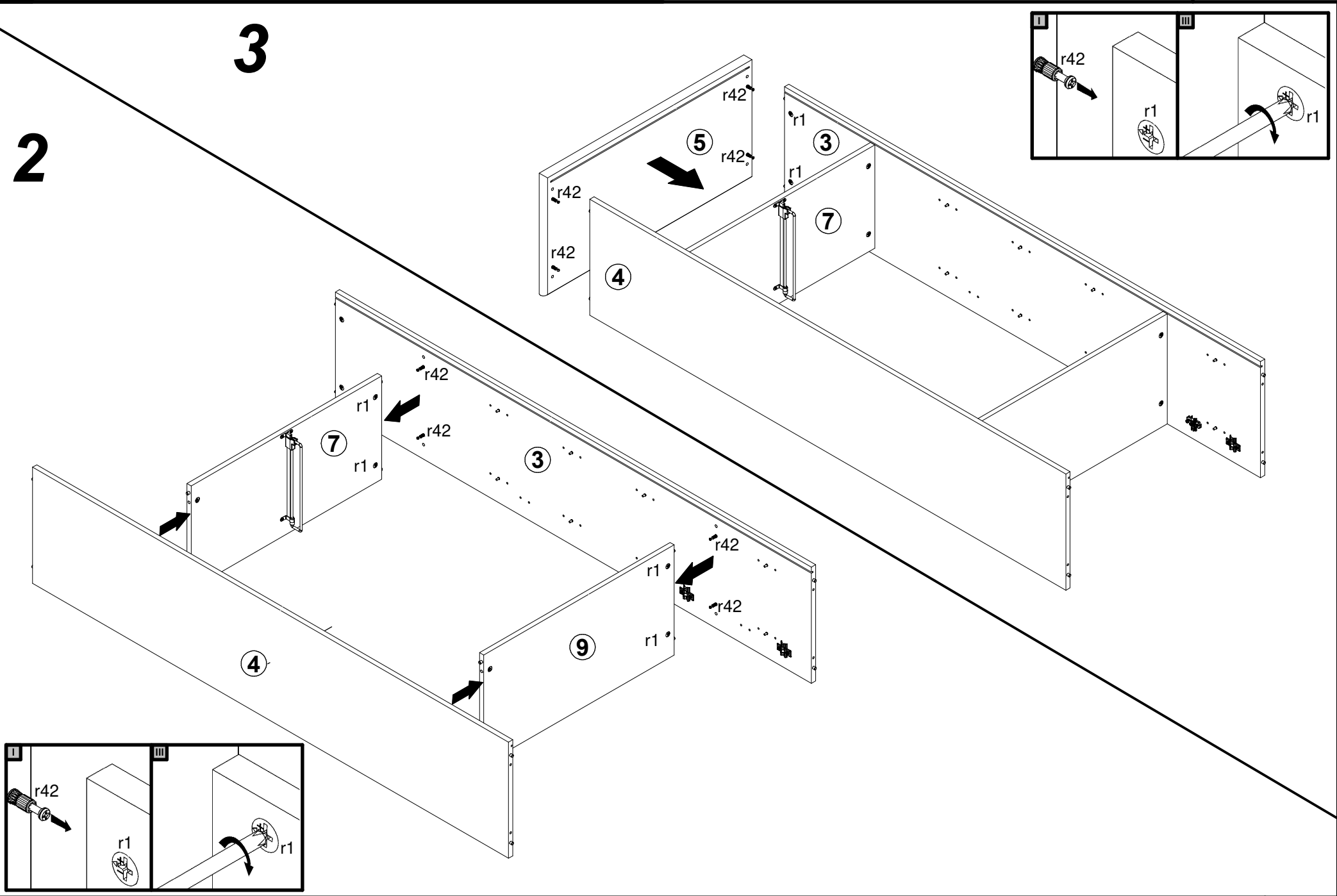
Ø15x12 mm #16 r1



4x

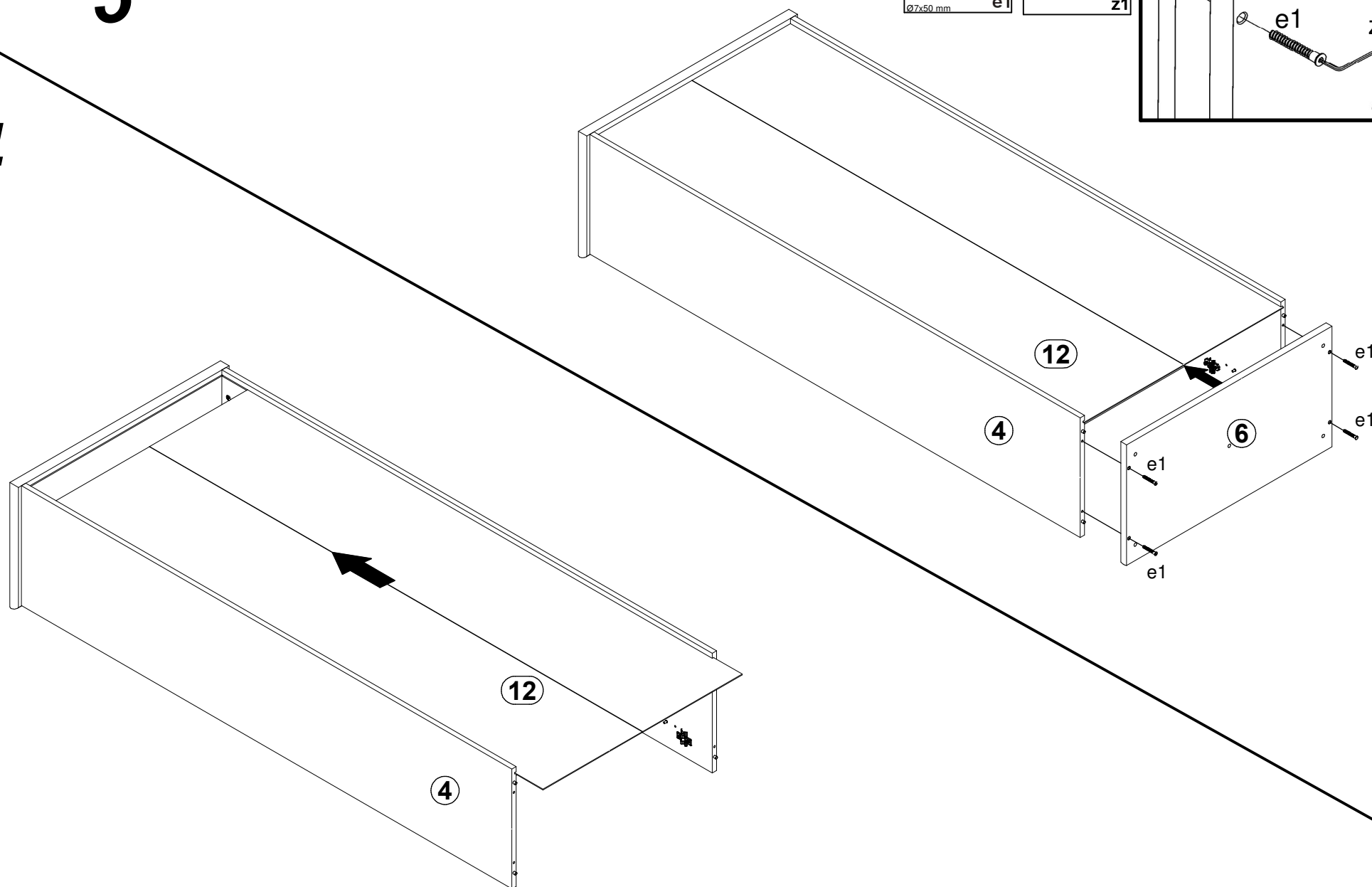
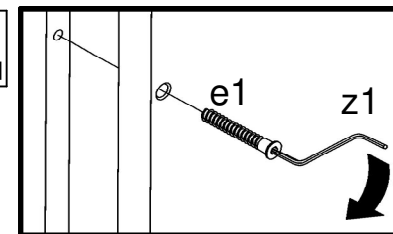
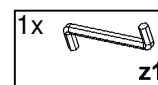
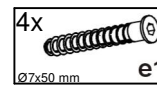
r42

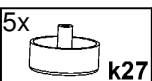
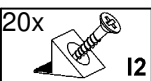
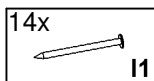
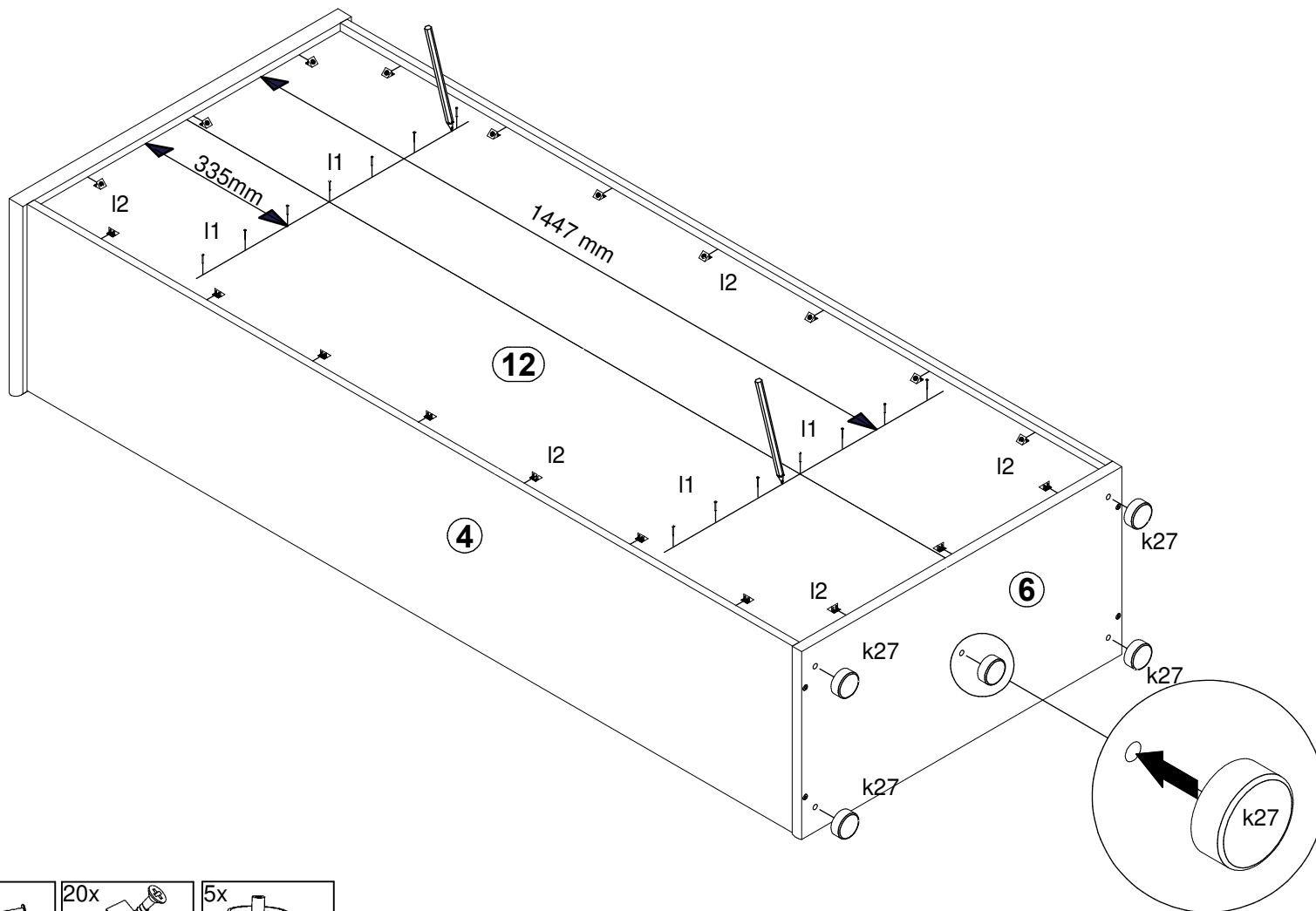
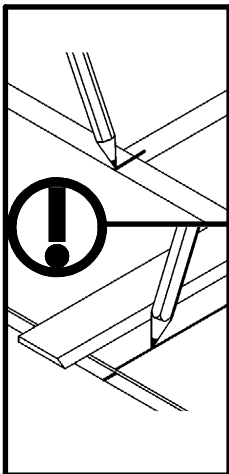
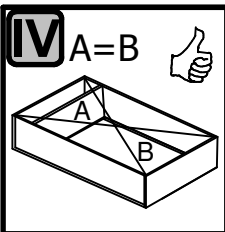
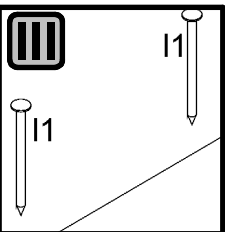
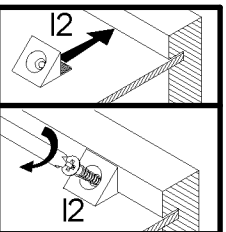
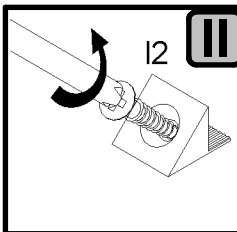
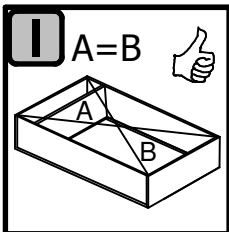


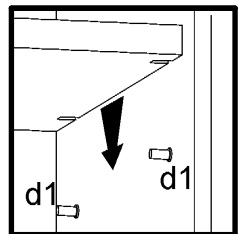
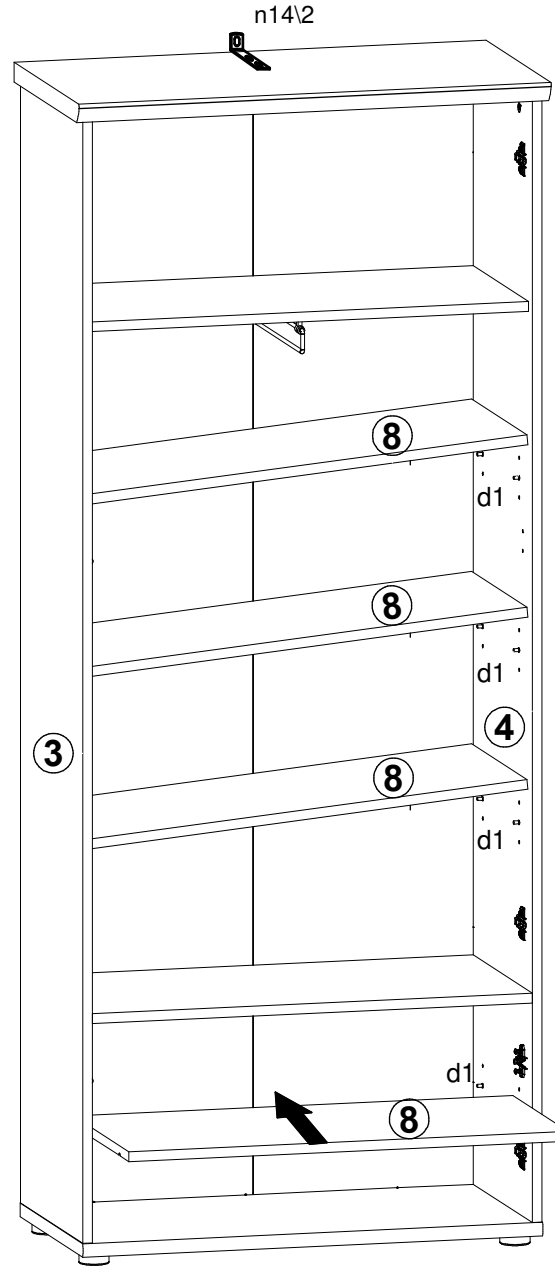
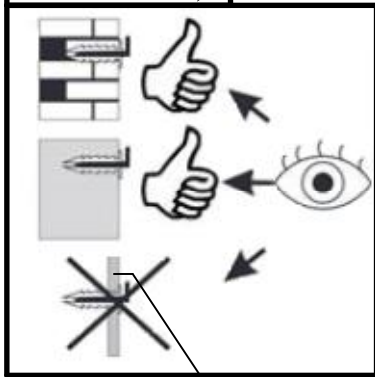
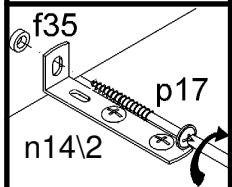
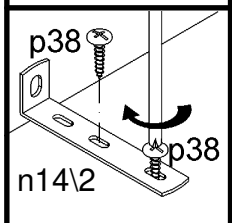
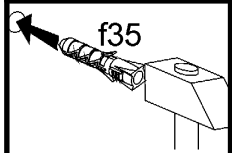
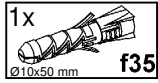
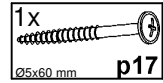
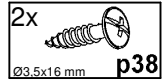
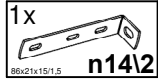
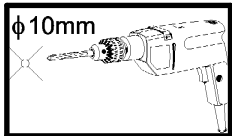


5

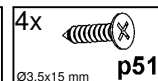
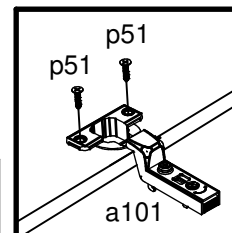
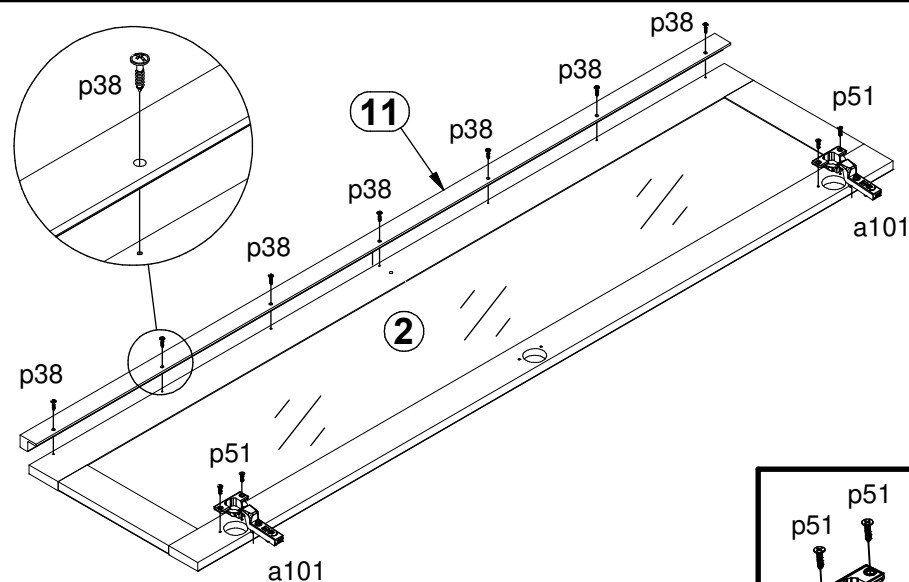
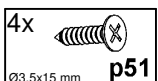
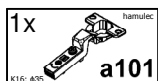
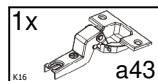
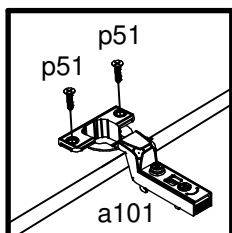
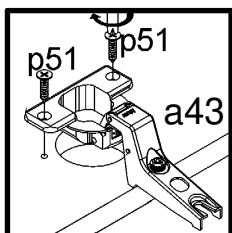
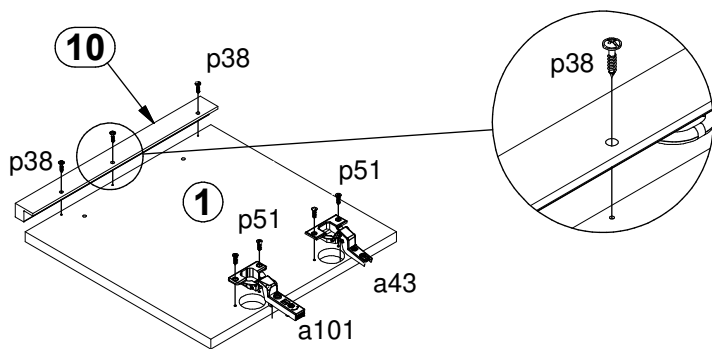
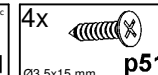
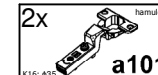
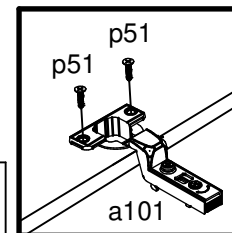
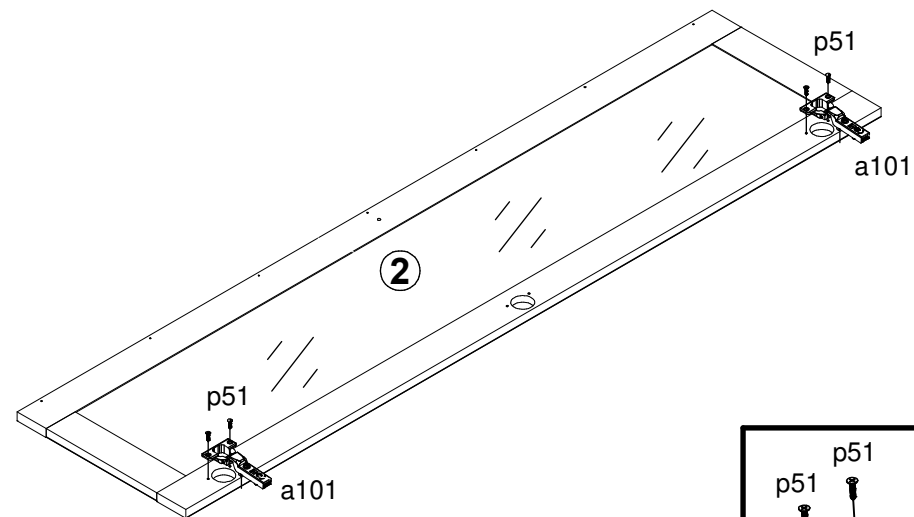
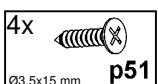
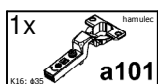
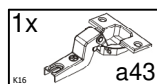
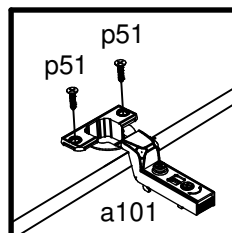
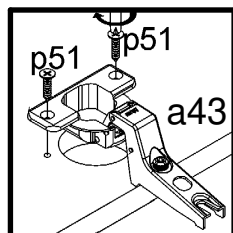
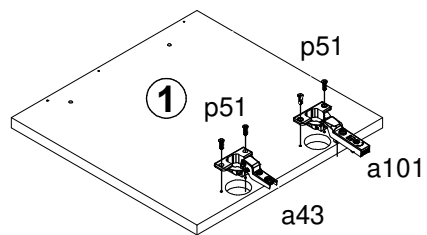
4

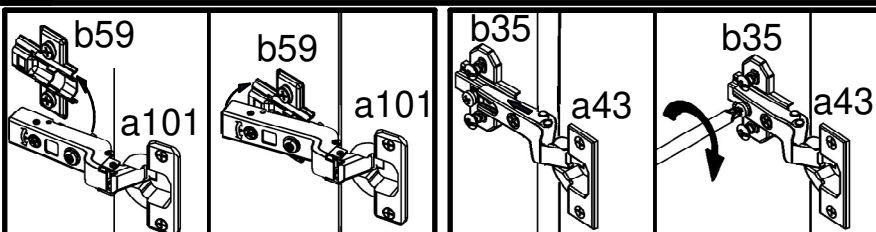






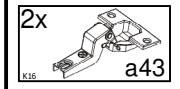
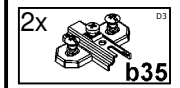
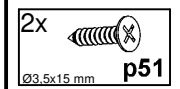
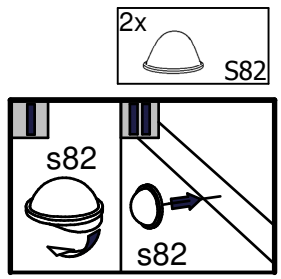
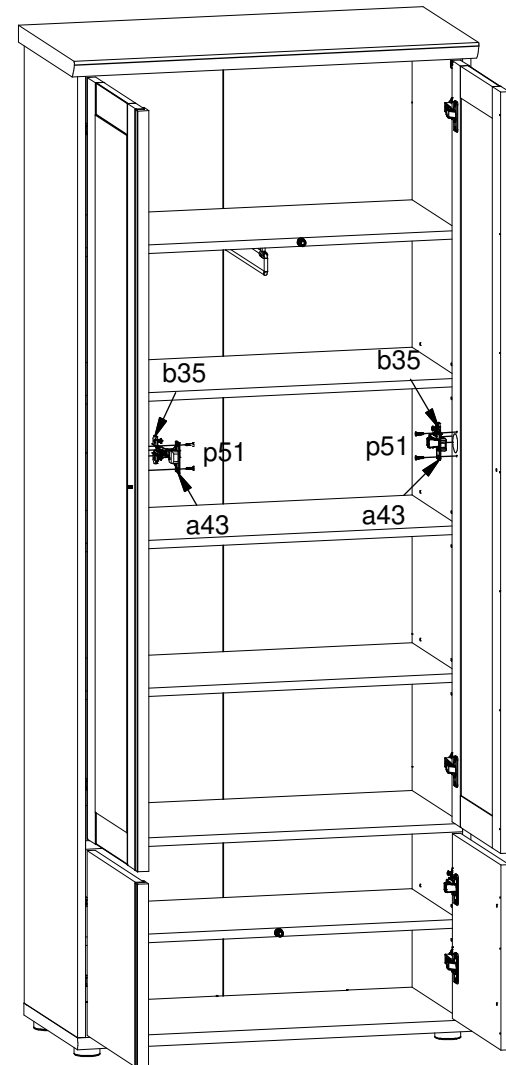
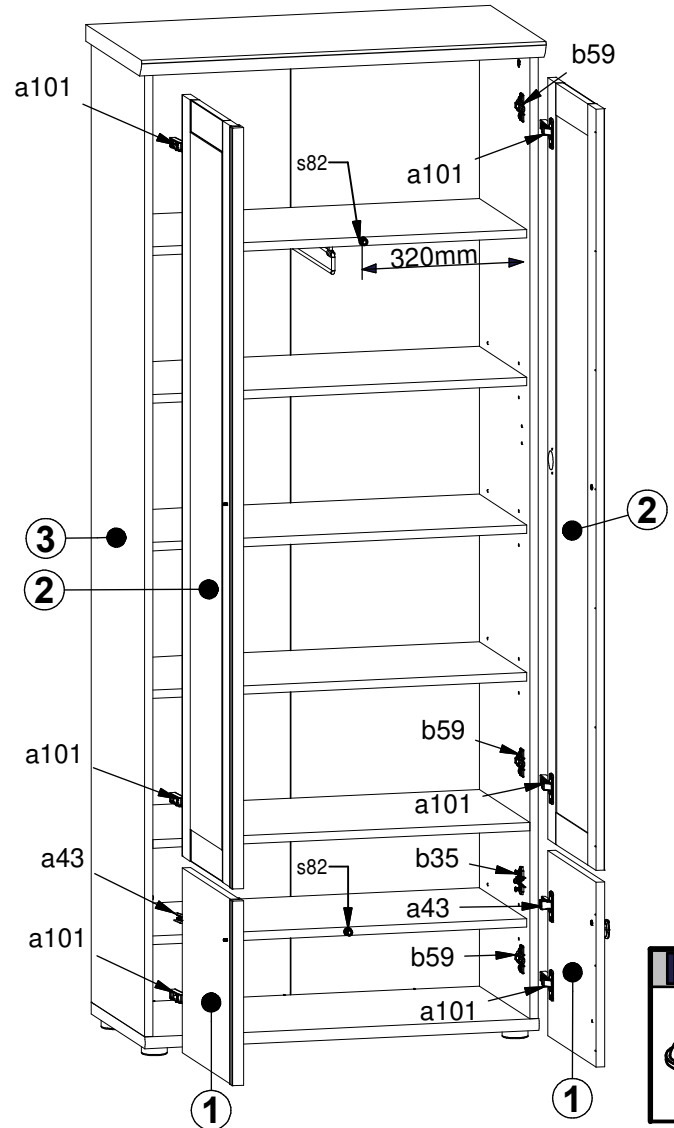
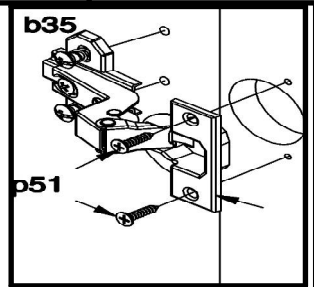
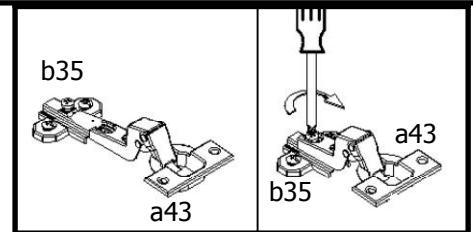
8

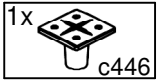
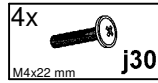
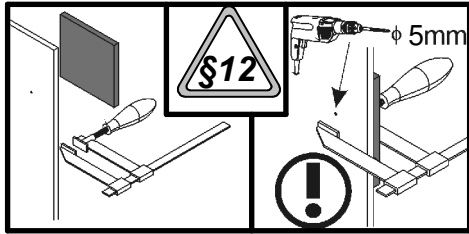




9

10





11

