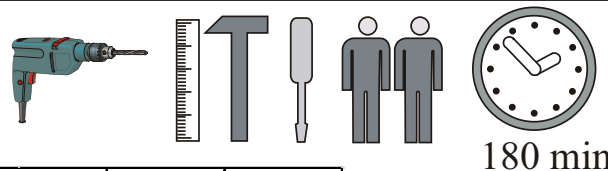
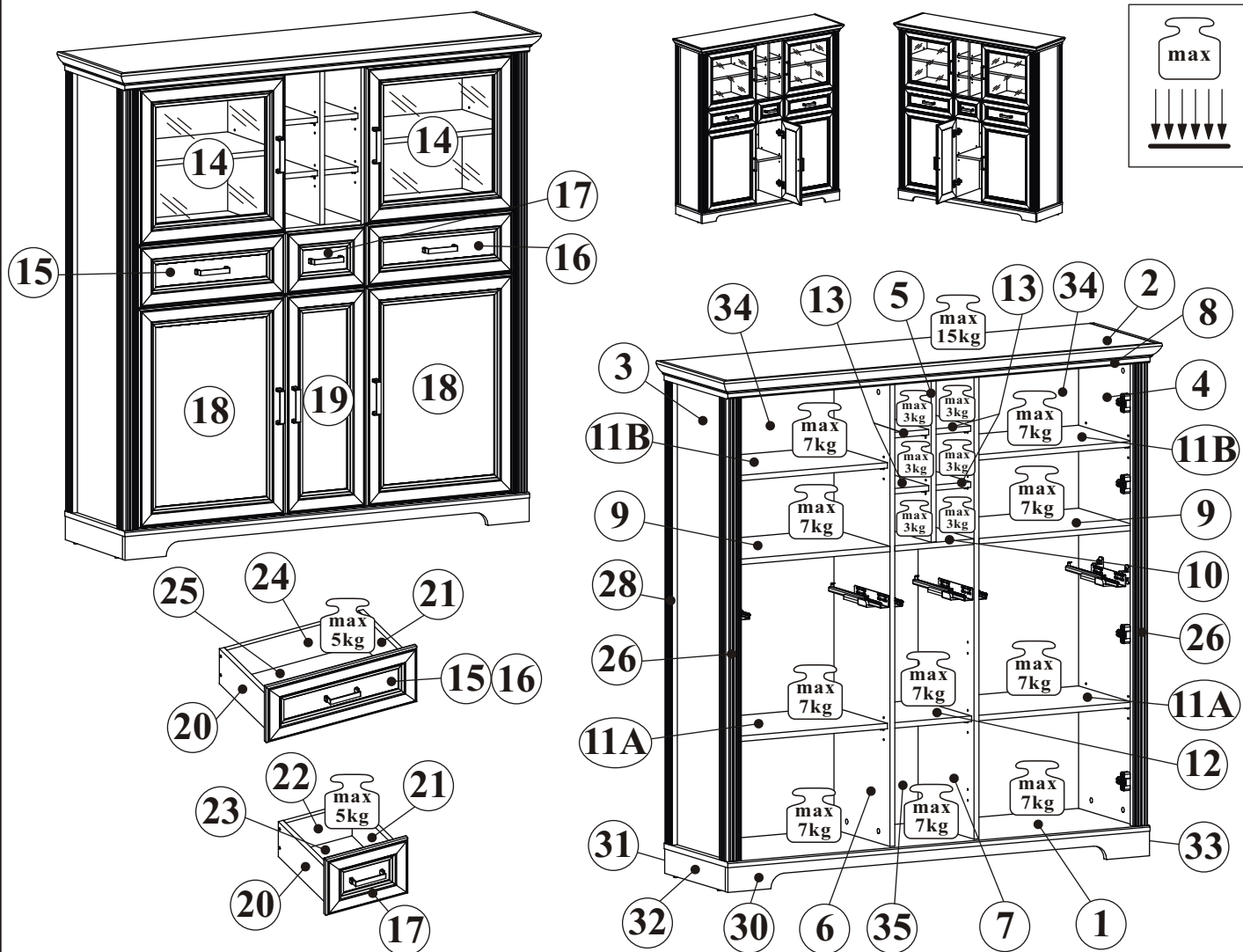


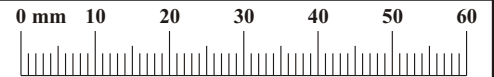
JASMIN 10G9_22



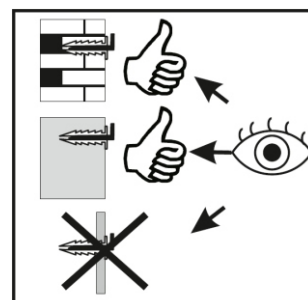
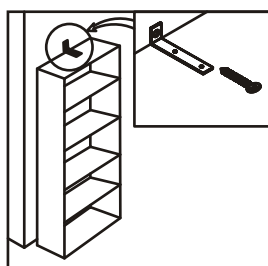
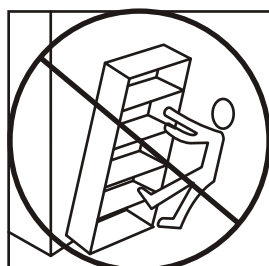
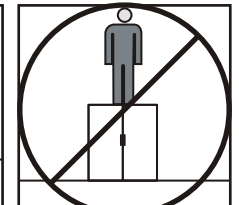
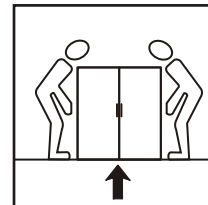
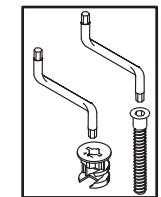
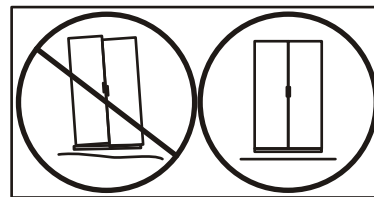
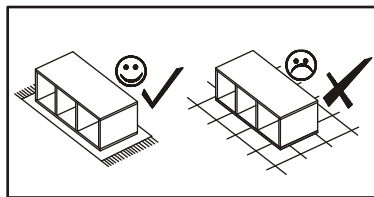
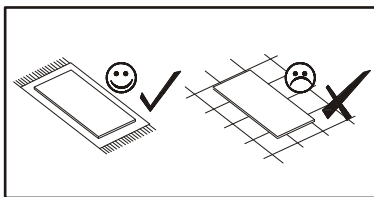
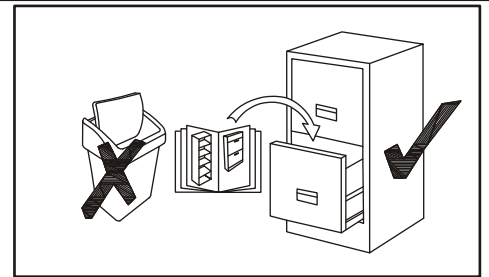
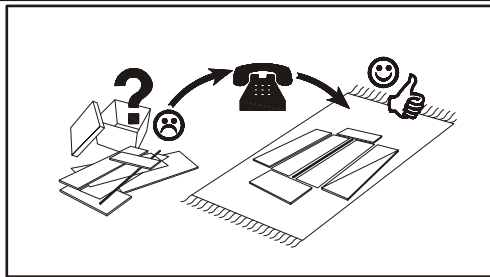
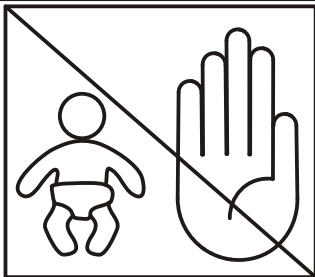
180 min

NO	Dim.	Col.-No	Qty
1	1376 386	2	1
2	1429 412	2	1
3	1346 359	3	1
4	1346 359	3	1
5	473 334	3	1
6	1346 339	3	1
7	1346 339	4	1
8	1376 386	2	1
9	507 339	2	2
10	258 339	3	1
11A	507 324	1	2
11B	507 324	1	2
12	258 324	3	1
13	121 319	3	4
14	476 496	1	2
15	496 188	1	1
16	496 188	1	1
17	270 188	1	1

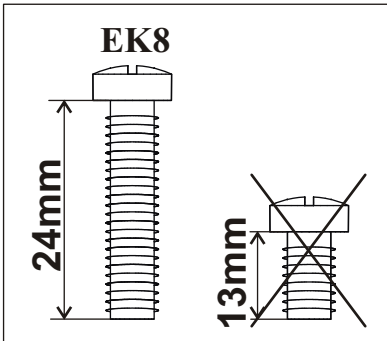
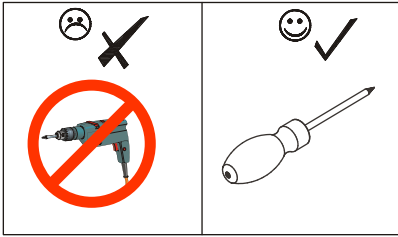
NO	Dim.	Col.-No	Qty
18	668 496	1	2
19	668 270	1	1
20	300 120	4	3
21	300 120	4	3
22	218 106	4	1
23	304 230	4	1
24	442 106	4	2
25	454 304	4	2
26	1346 49	3	2
28	1346 43	3	2
30	1374 72	2	1
31	1340 72	3	1
32	369 72	4	1
33	369 72	4	1
34	1360 522	4	2
35	1360 274	4	1

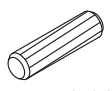

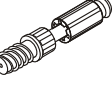
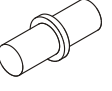
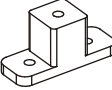



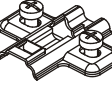




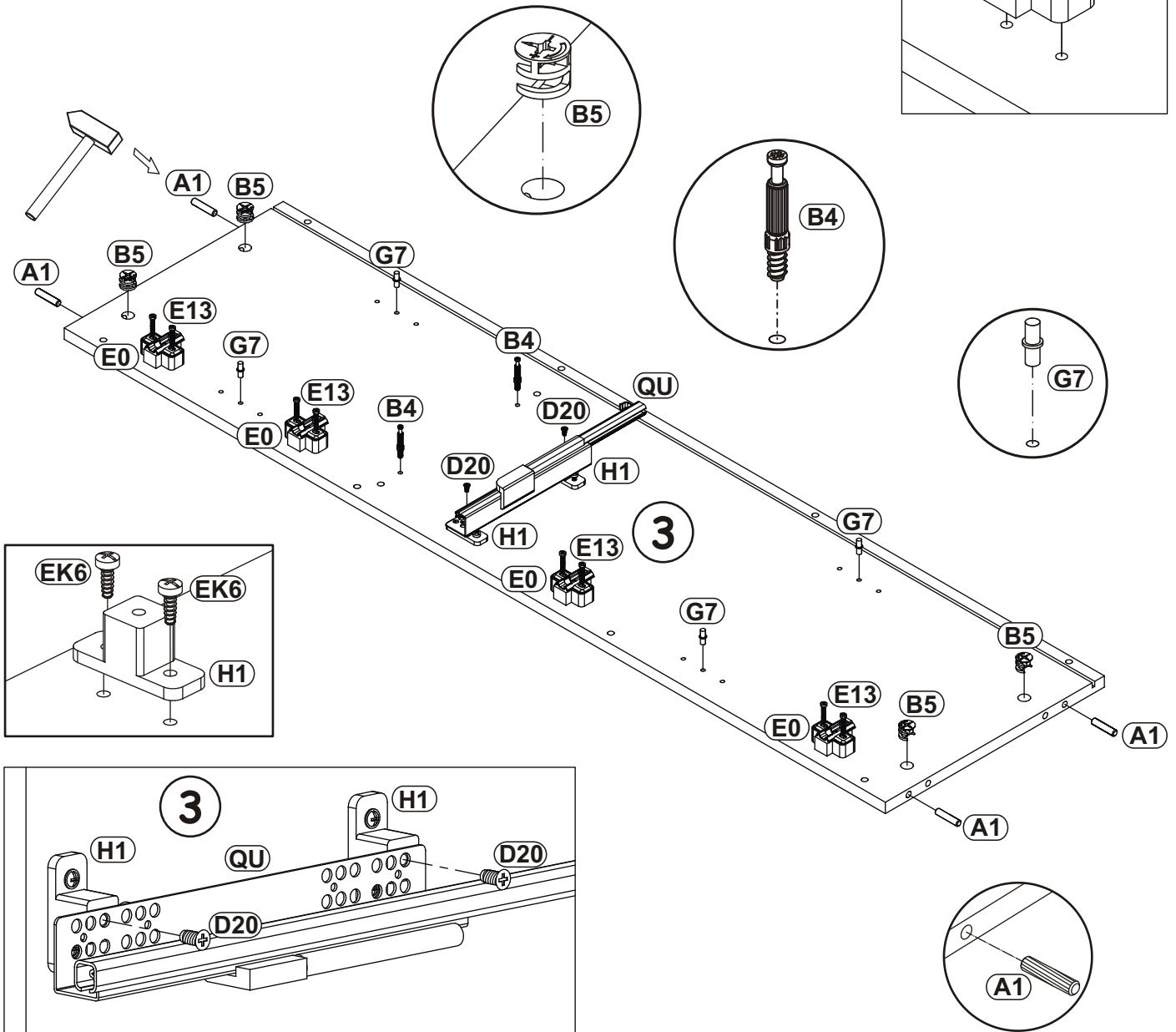
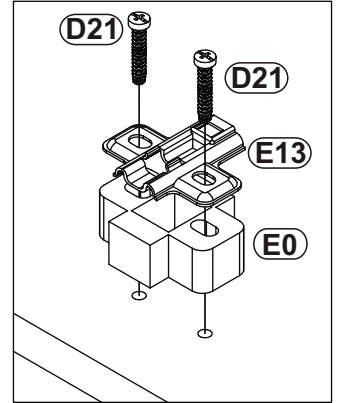
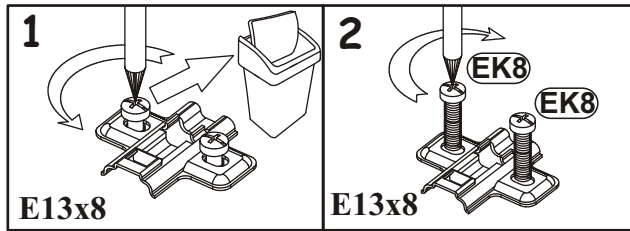
A1 x58 ø8x36	B4 x38 	B5 x46 ø15x12	G5 x46 	B11 x16 Ø7x50	B14 x24 Ø7x30
E9 x2 H=8	E17 x8 H=16	E13 x10 	E0 x8 H=11	EK8 x16 EKØ6,3x24	G4 x30
QU x3 L-300	D20 x12 ESØ6,3x9,5	D10 x38 USØ3,5x13	H1 x4 	EK6 x8 EKØ6,3x13	G7 x28
C19 x8 	D34 x6 M4x16	D4 x10 M4x30	Z2 x4 Ø5	KM1 x3 	I2 x6
S1 x23 	G16 x18 	UP13 x37 UPØ3x16	L1 x2 	KR1 x2 	G2 x1
UP9 x8 UPØ3,5x16	I9 x2 H-60 mm.	OS3 x2 	B6 x4 Ø7x76	PH x8 	G12 x8 Ø14



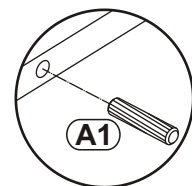
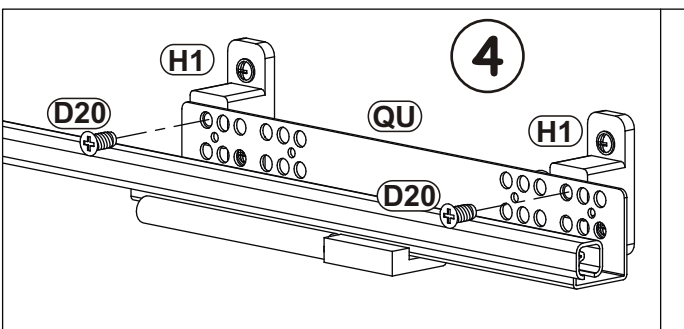
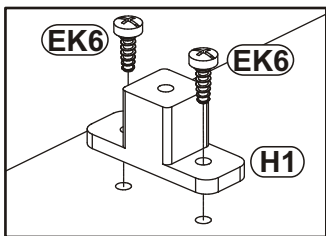
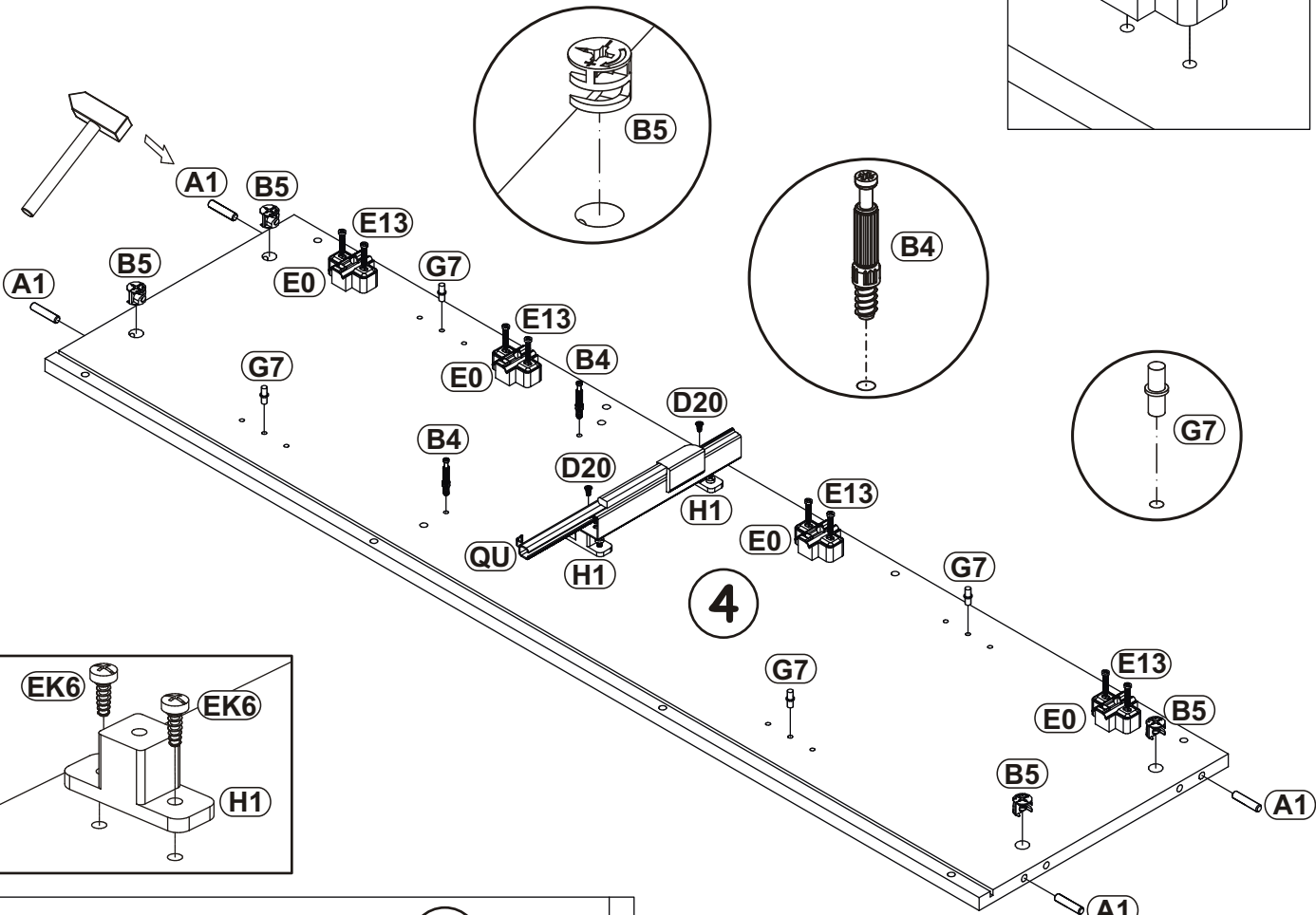
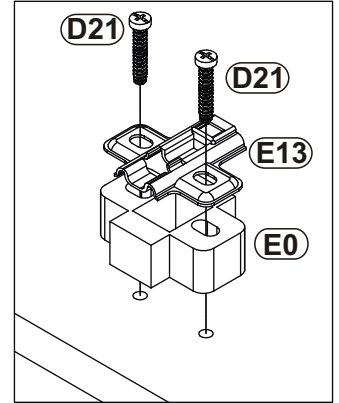
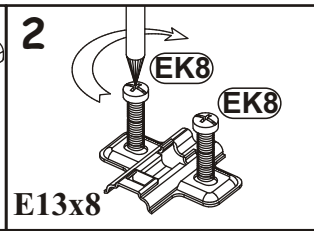
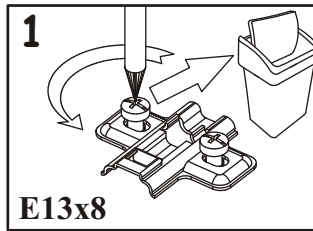
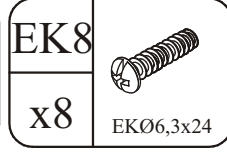
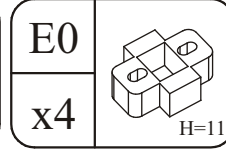
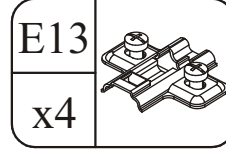
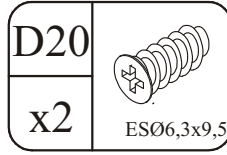
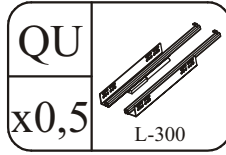
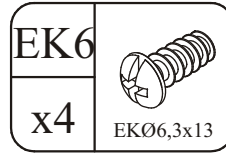
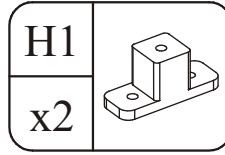
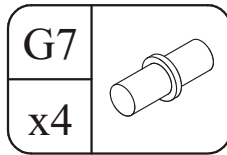
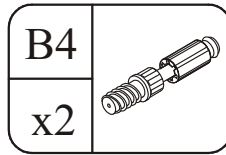
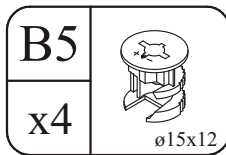
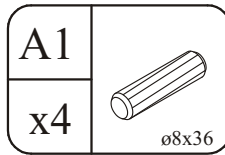
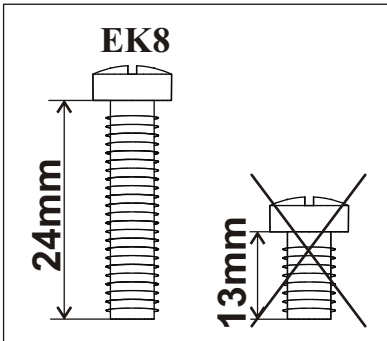
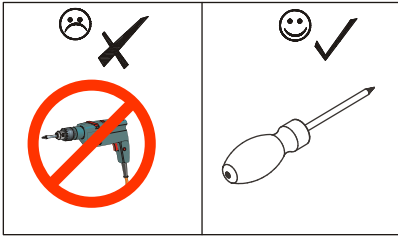
1



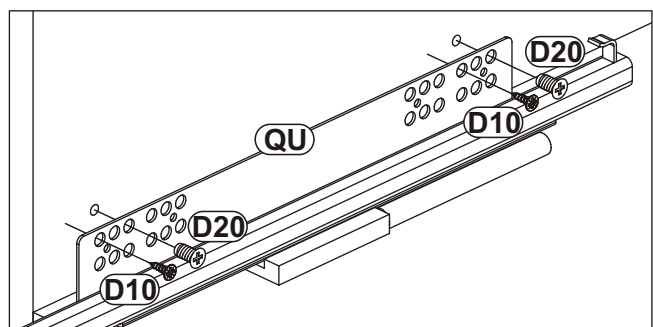
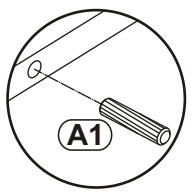
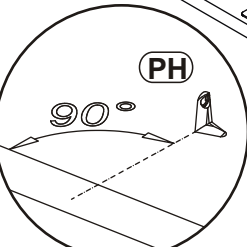
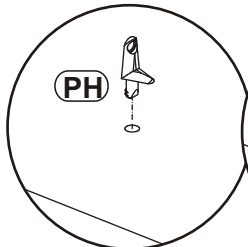
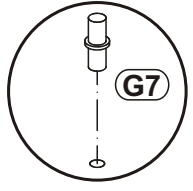
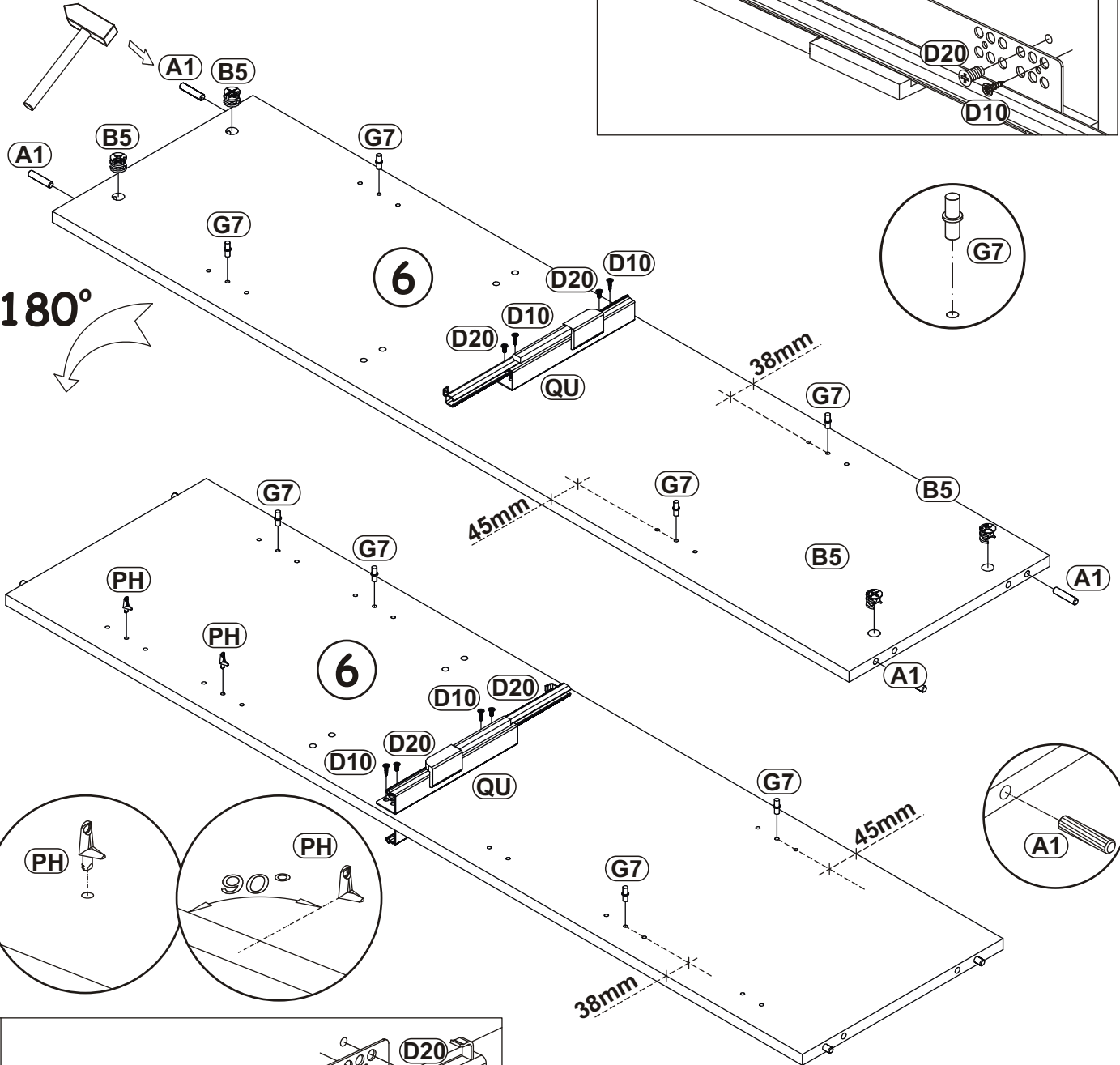
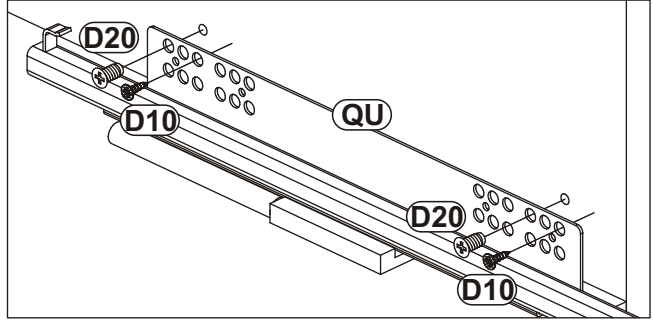
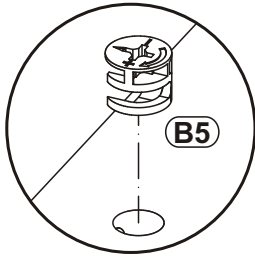
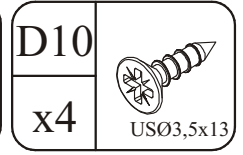
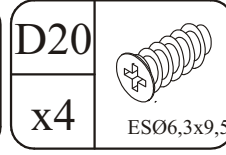
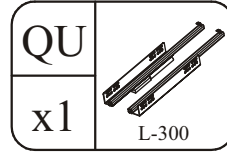
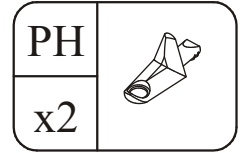
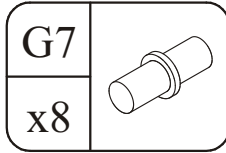
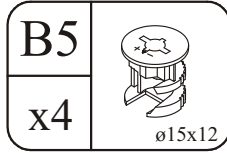
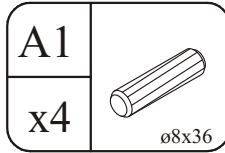
A1 x4	 ø8x36	B5 x4	 ø15x12	B4 x2		G7 x4	
H1 x2		EK6 x4	 EKØ6,3x13	QU x0,5	 L-300	D20 x2	 ESØ6,3x9,5
E13 x4		E0 x4	 H=11	EK8 x8	 EKØ6,3x24		



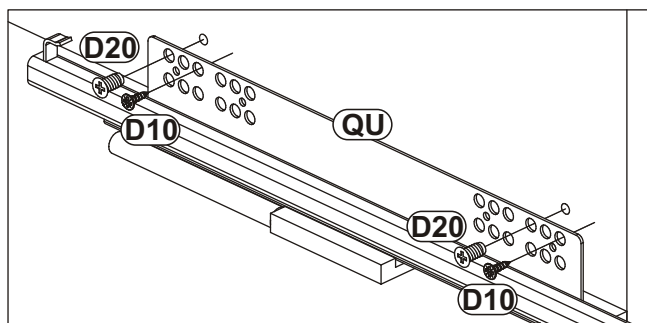
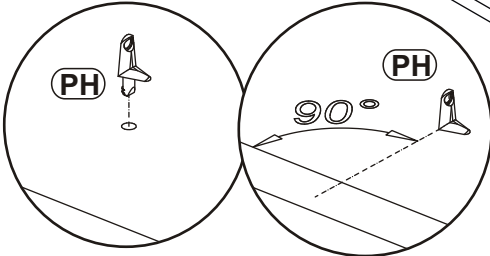
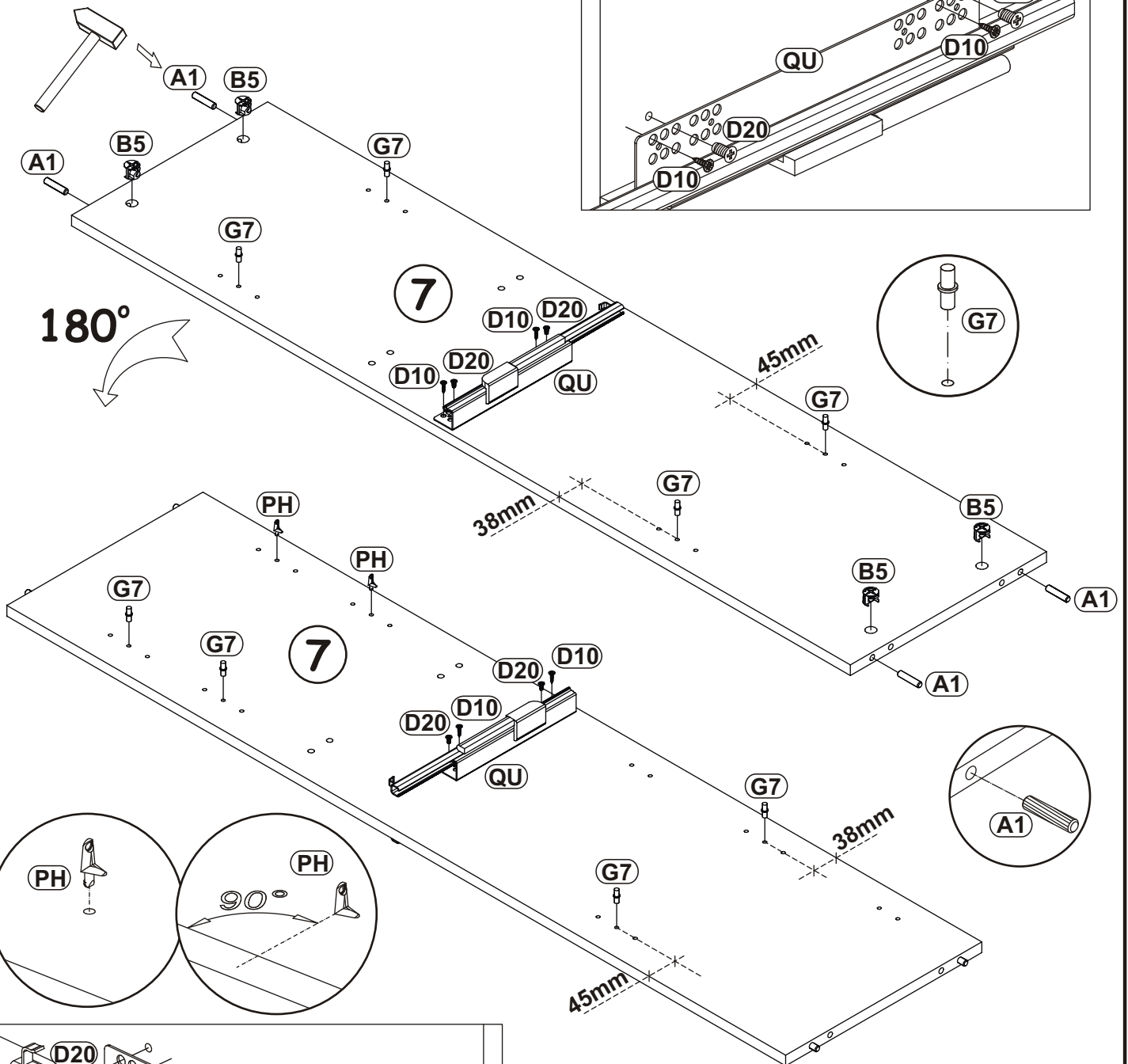
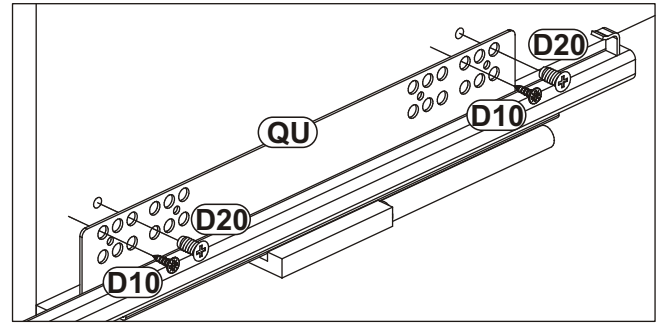
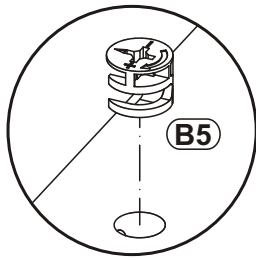
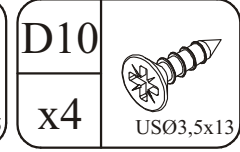
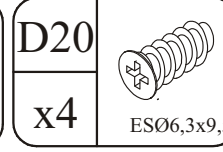
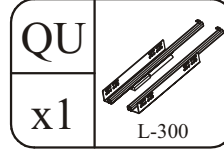
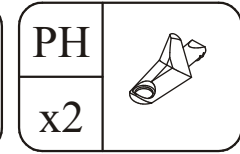
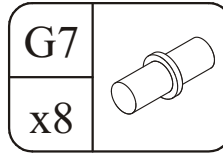
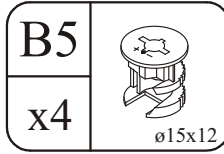
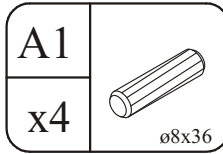
2

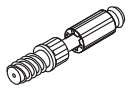


3

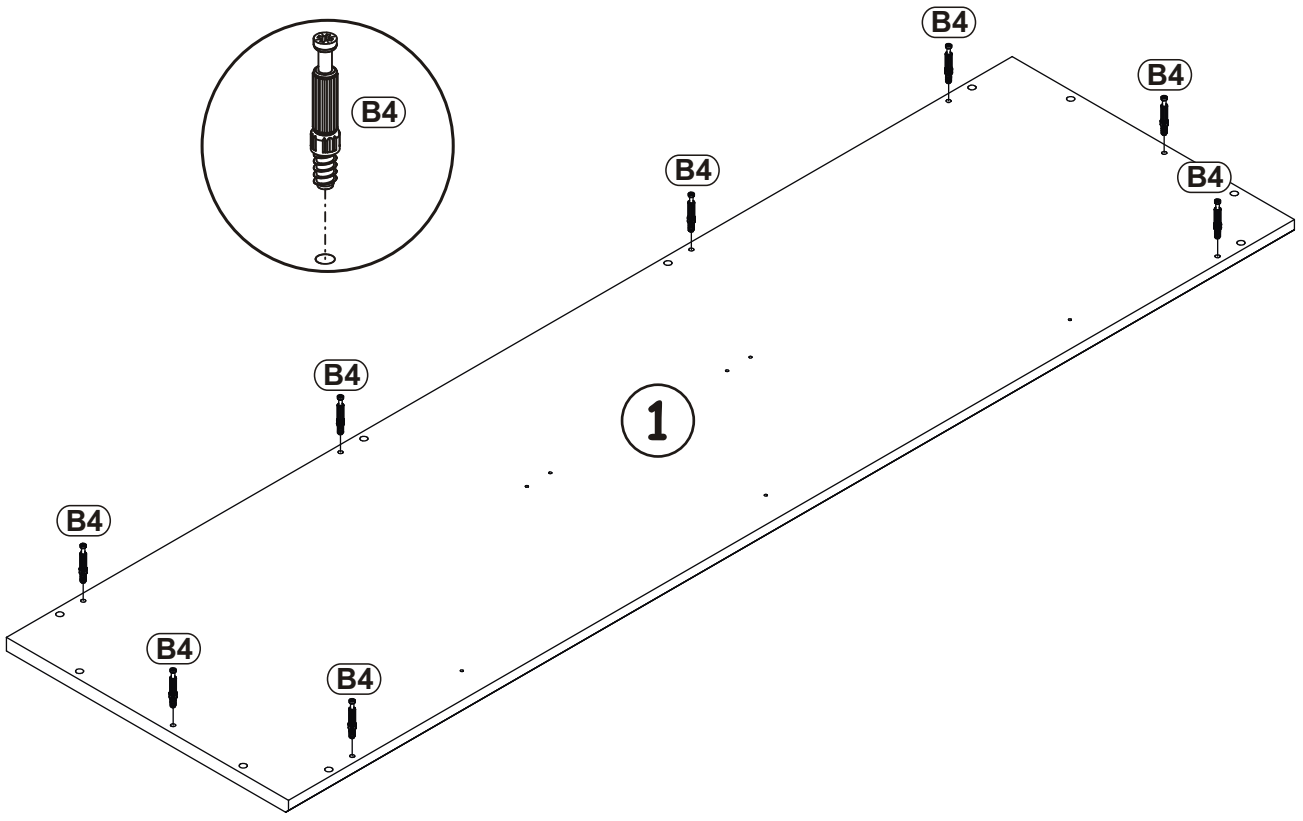


4

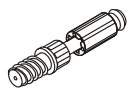


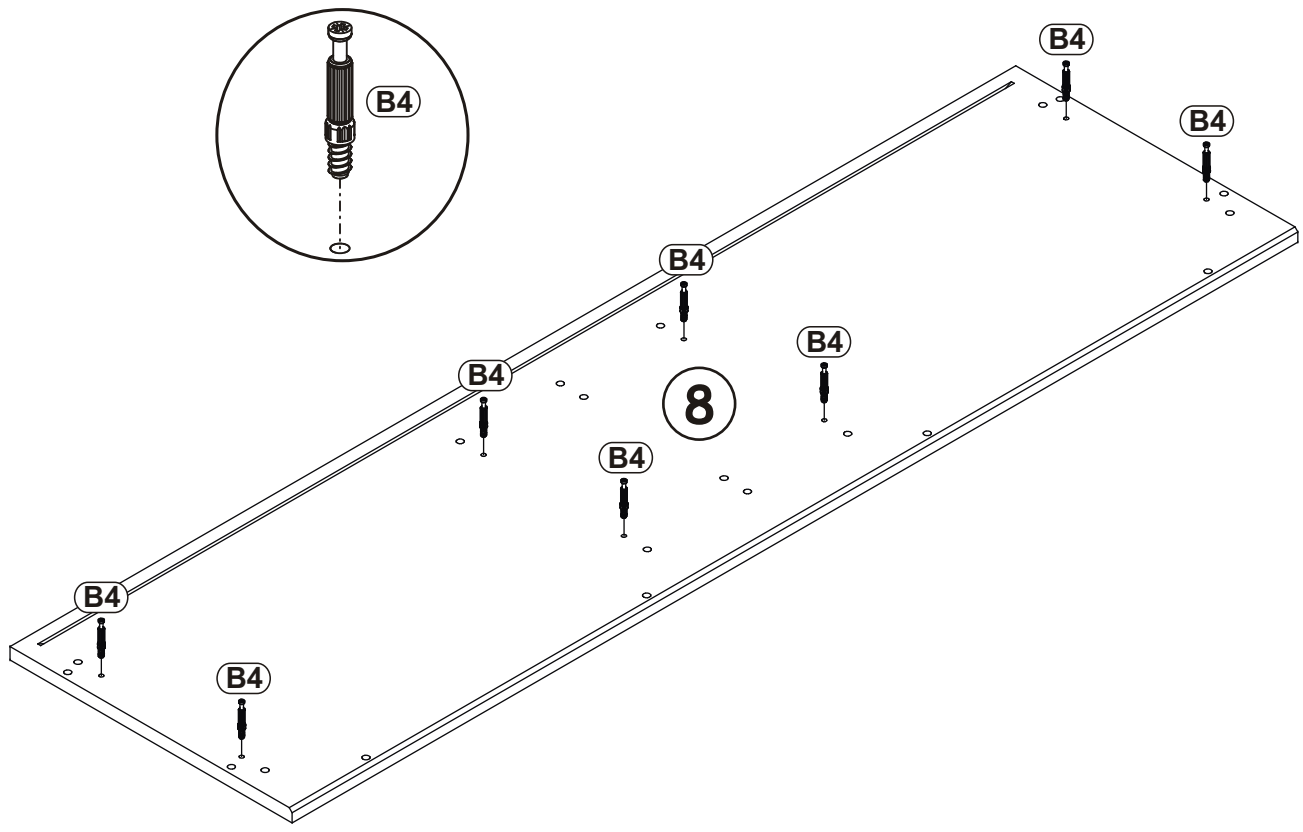
B4	
x8	

5

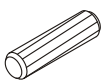
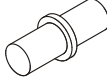



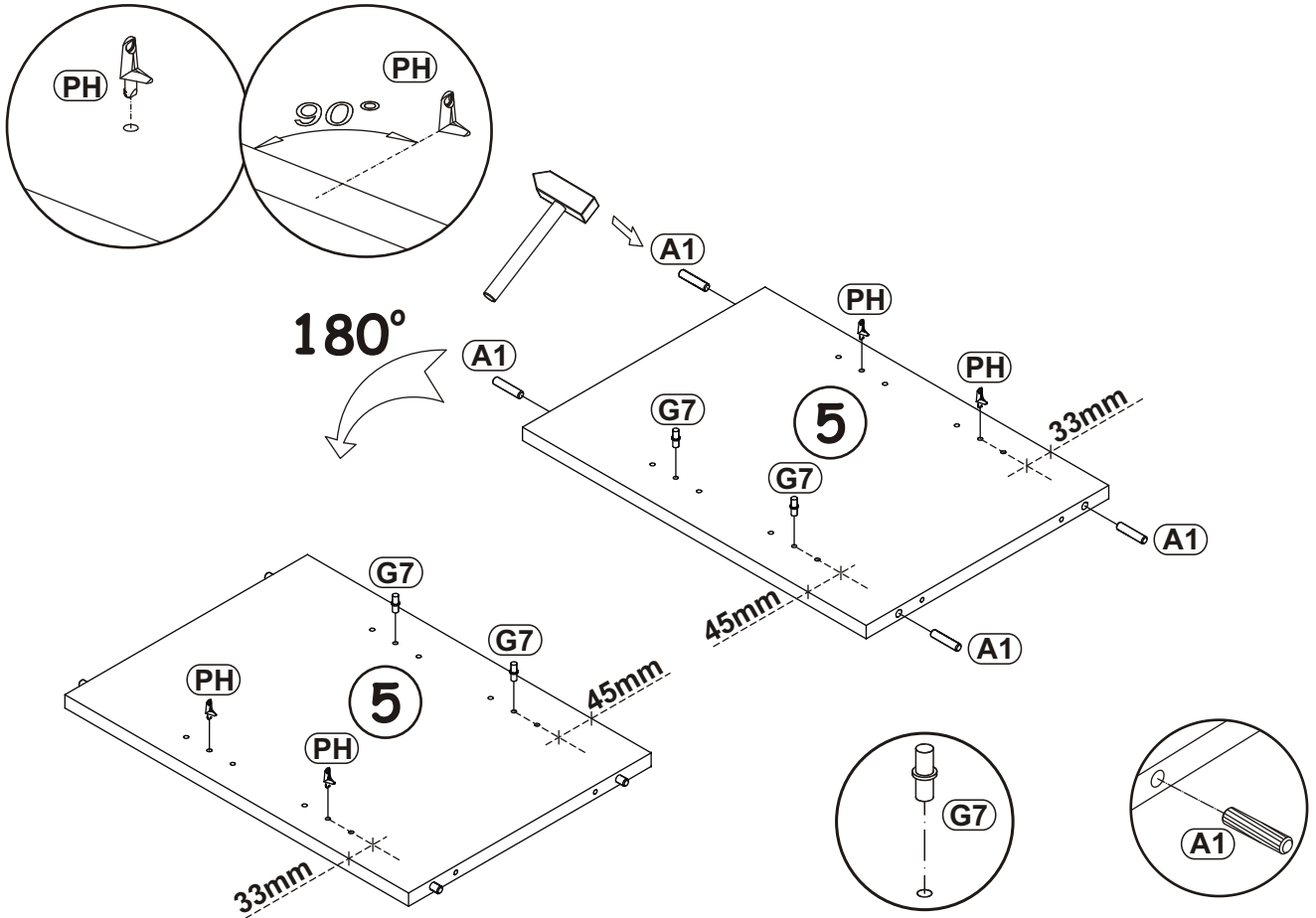
6

B4	
x8	

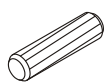



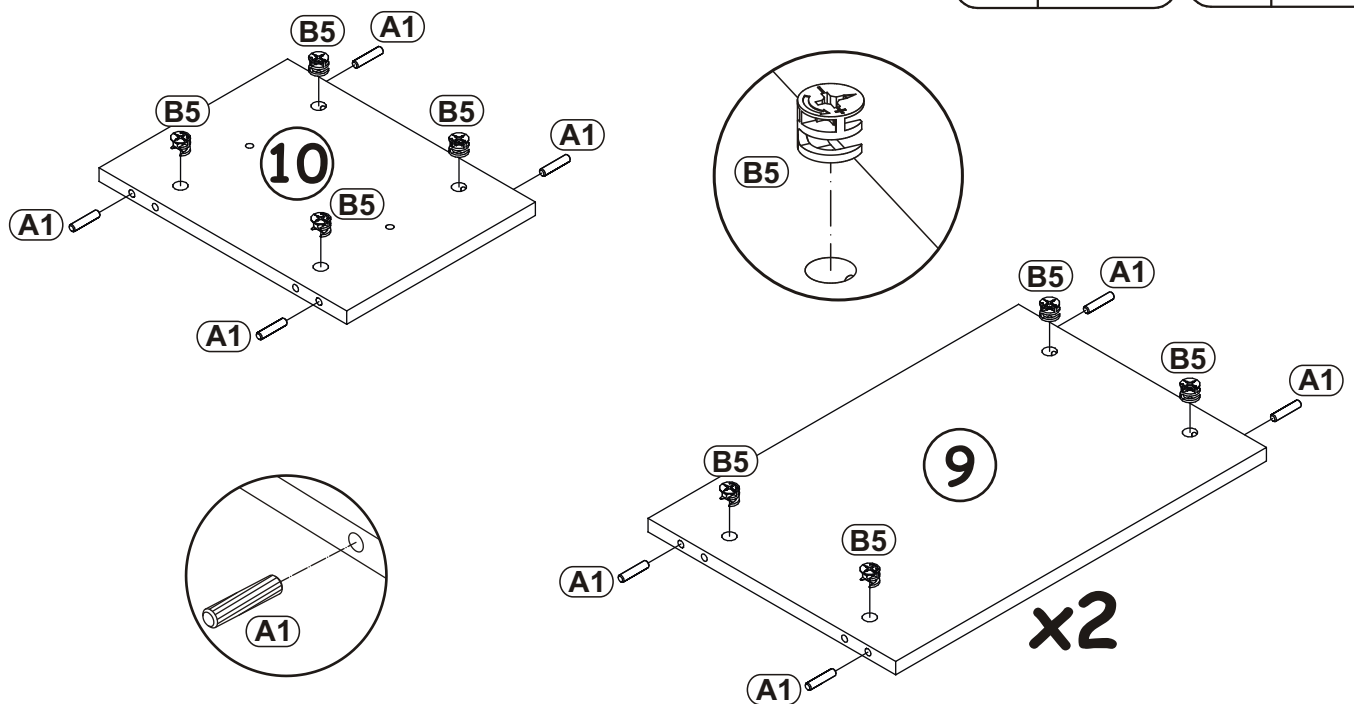
7

A1		G7		PH	
x4	ø8x36	x4		x4	

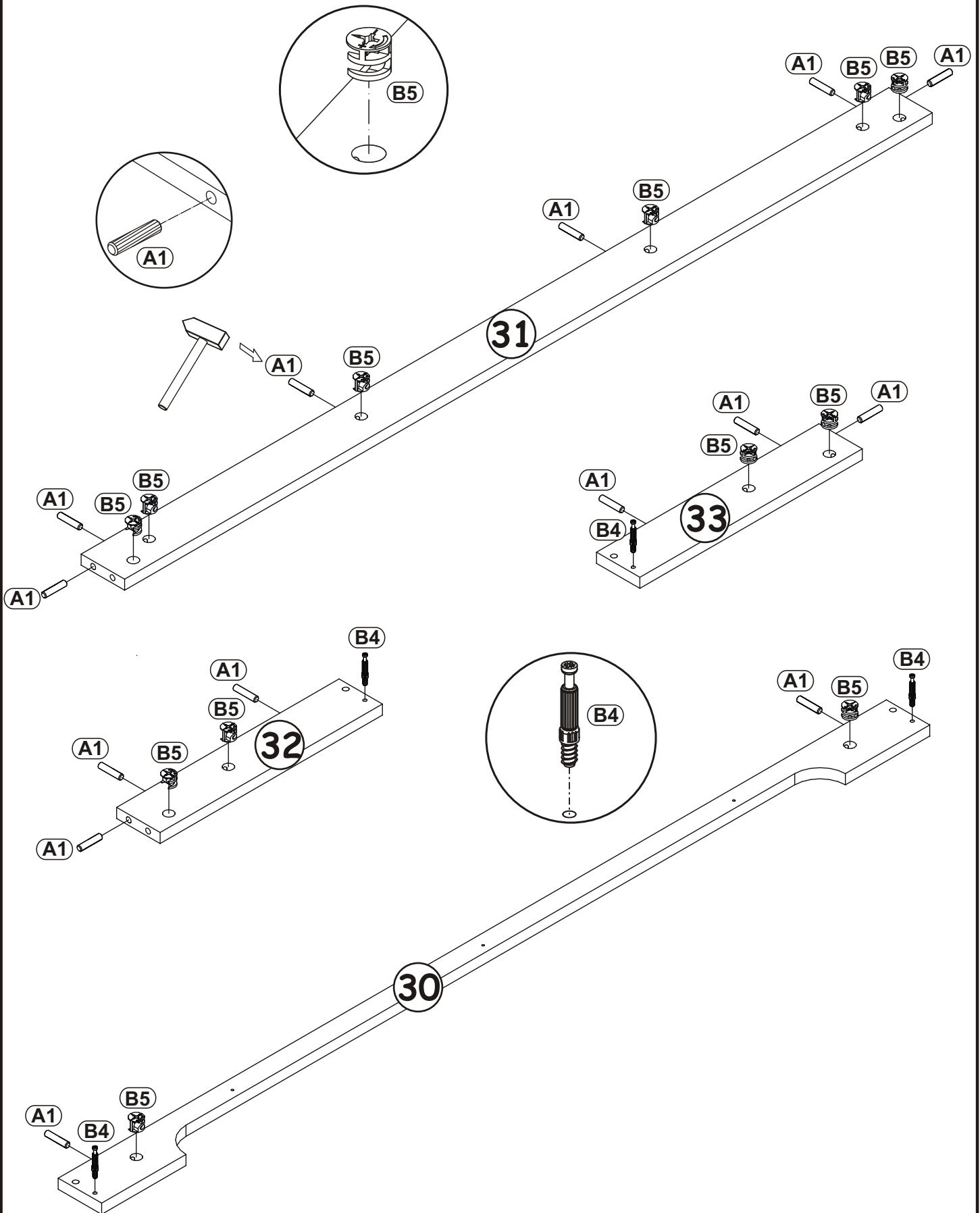
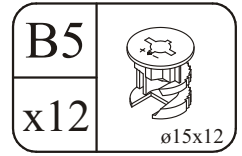
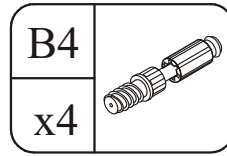
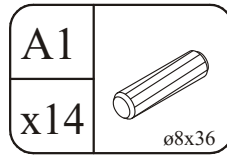


8

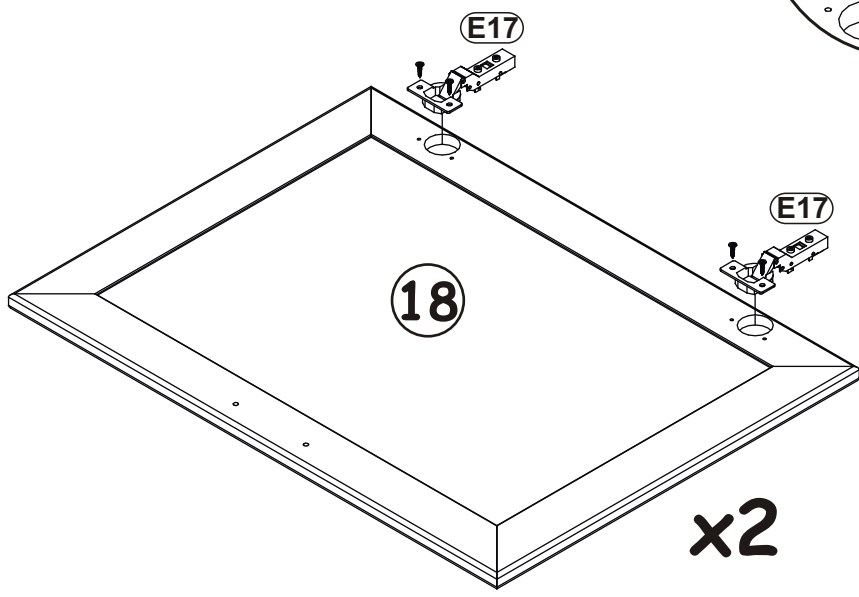
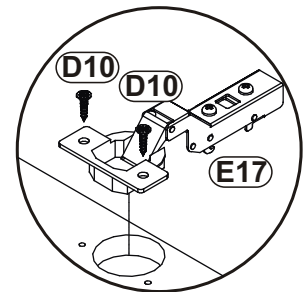
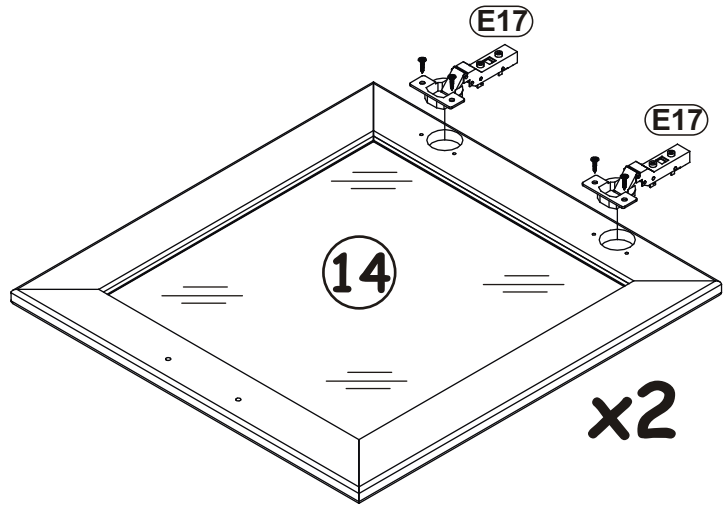
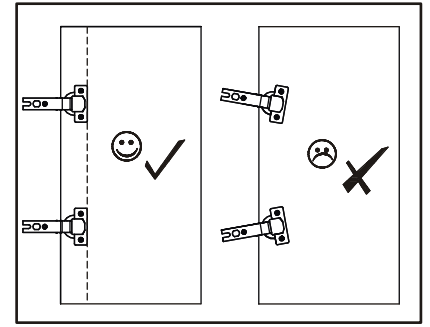
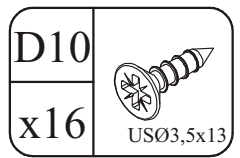
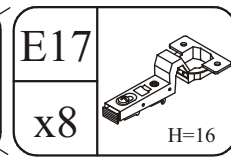
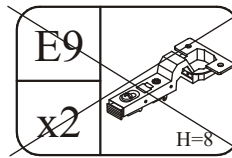
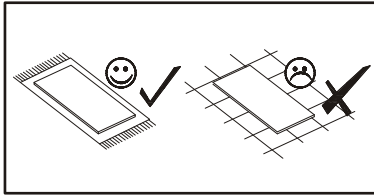
A1		B5	
x12	ø8x36	x12	ø15x12



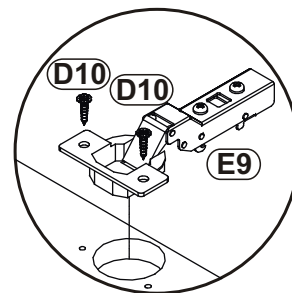
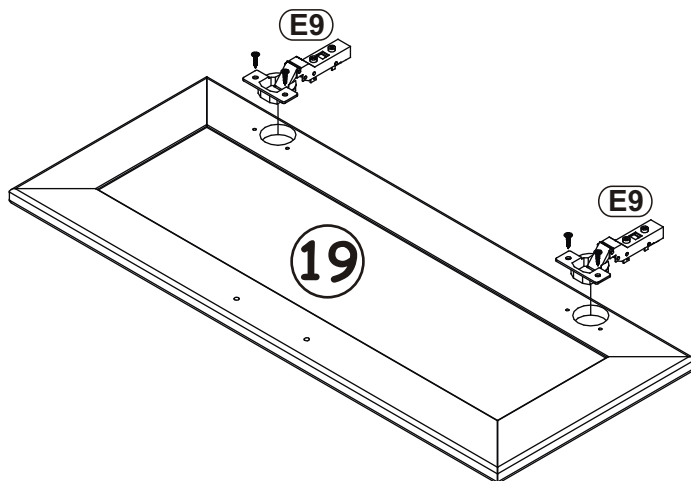
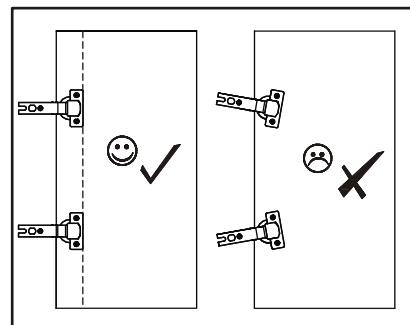
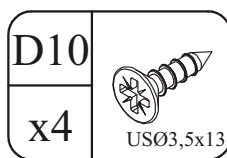
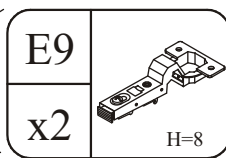
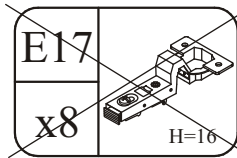
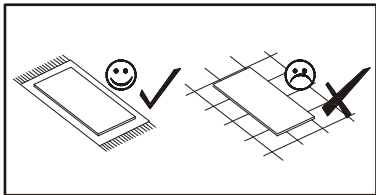
9



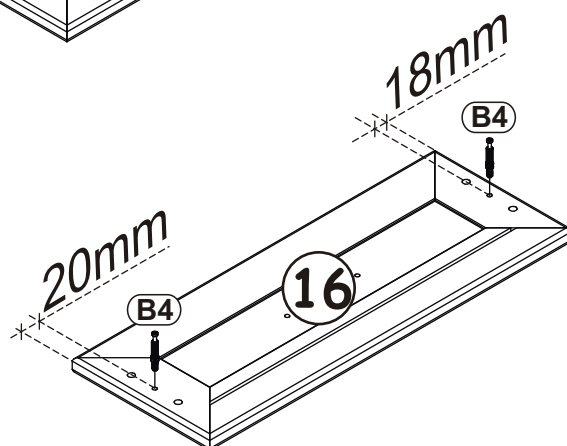
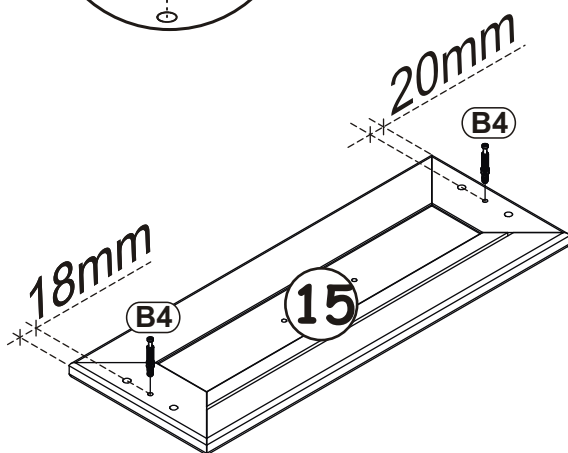
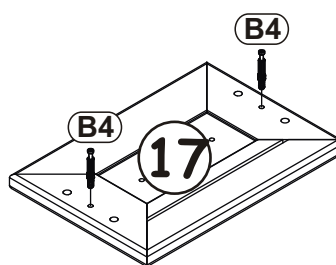
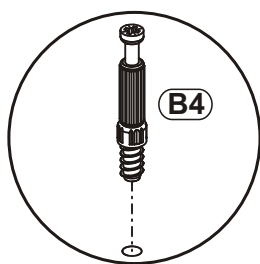
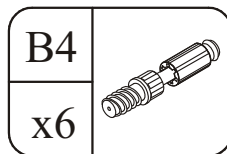
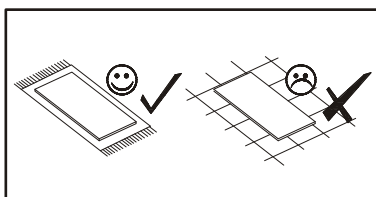
10



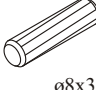
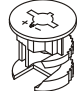
11

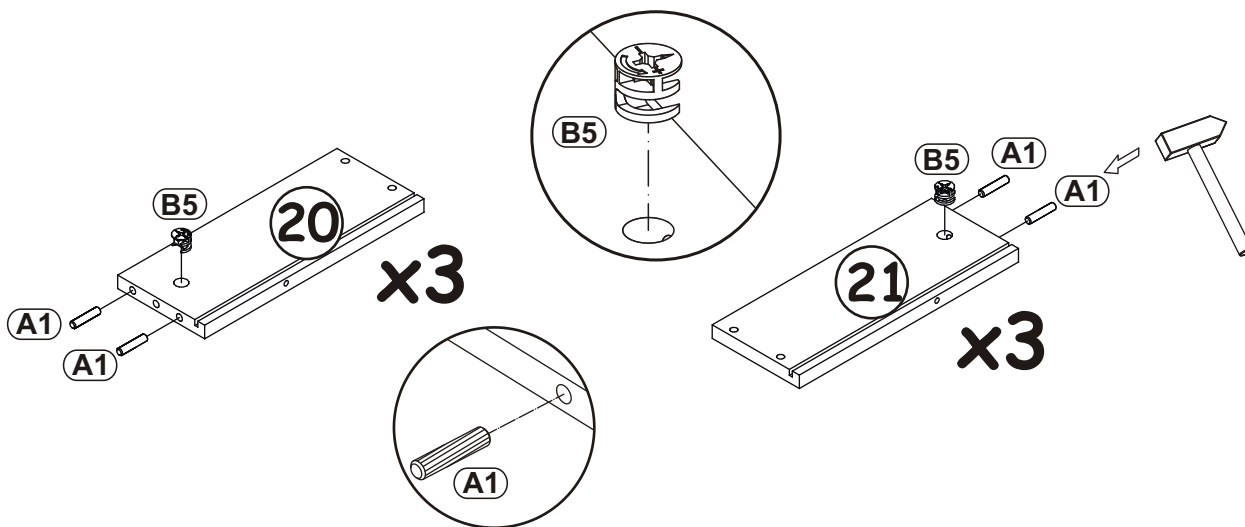


12

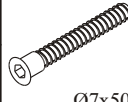



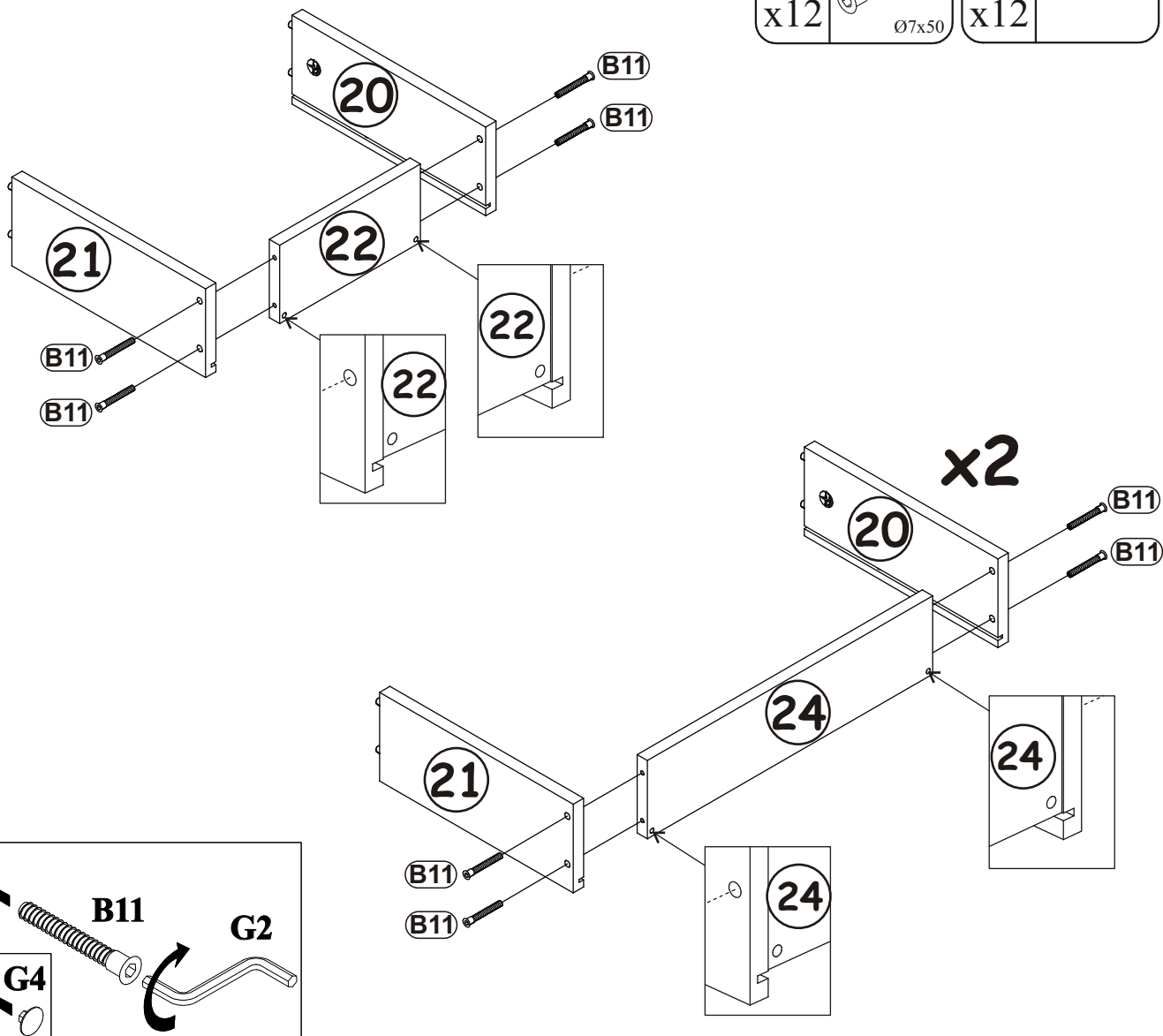
13


A1	 ø8x36	B5	 ø15x12
x12		x6	



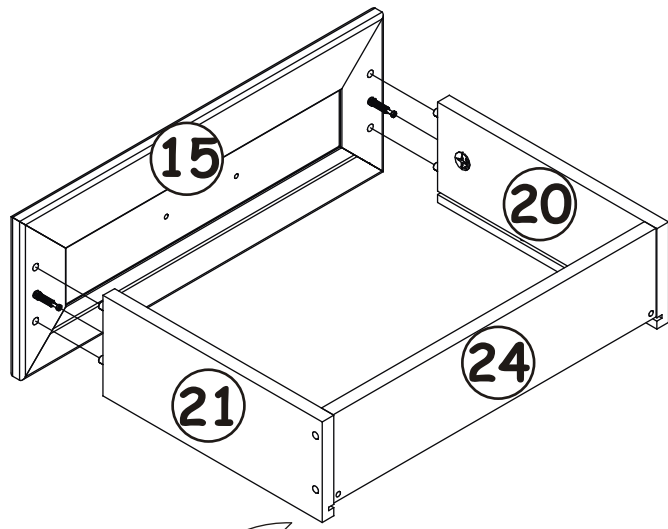
14

B11	 Ø7x50	G4	
x12		x12	

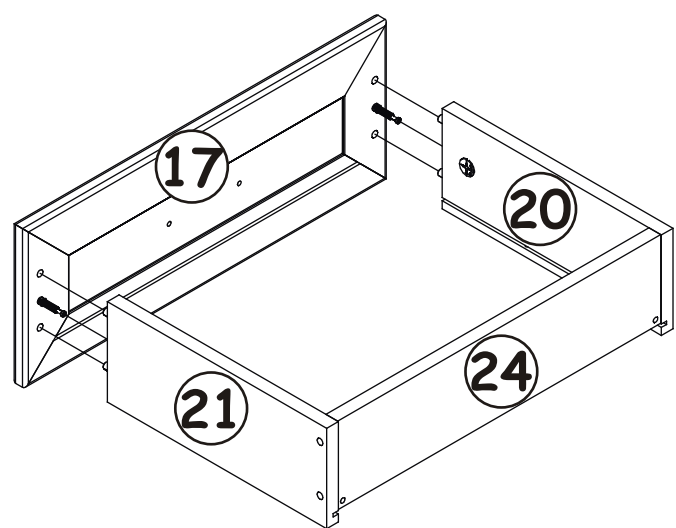
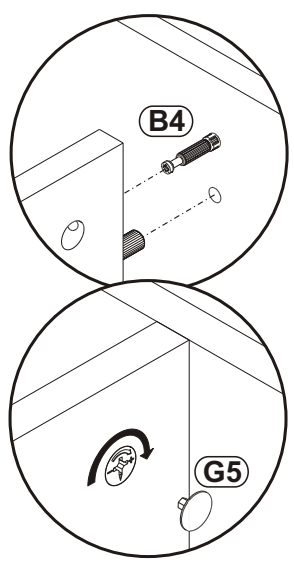


G5	
x6	

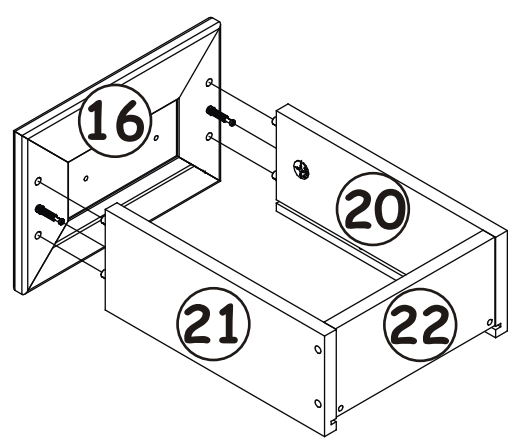
15



180°

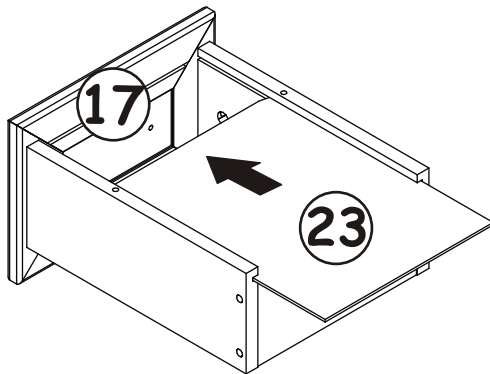
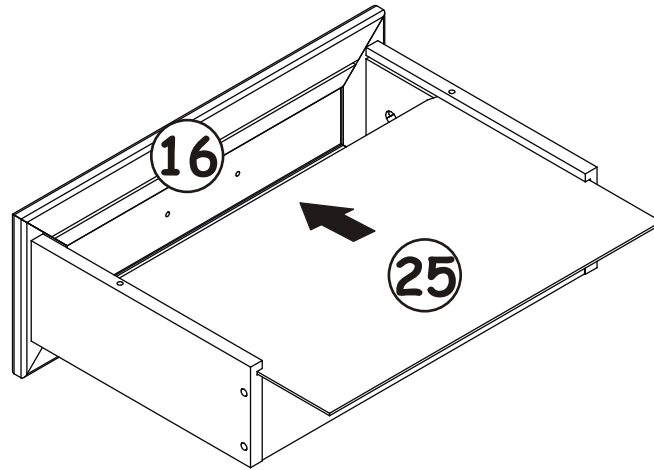
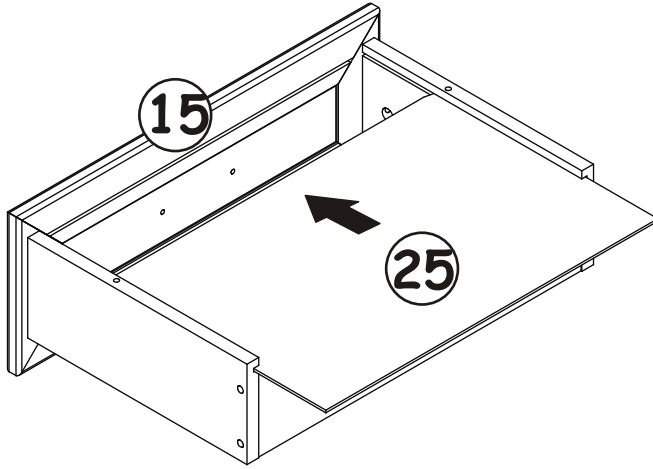


180°



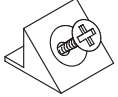

180°

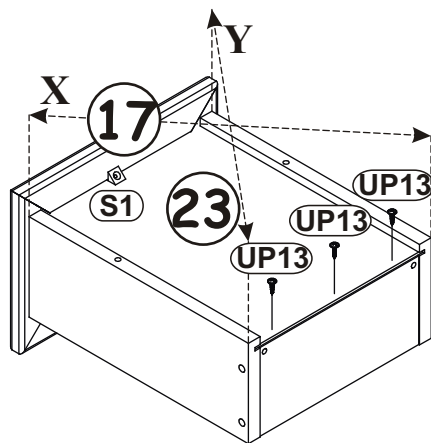
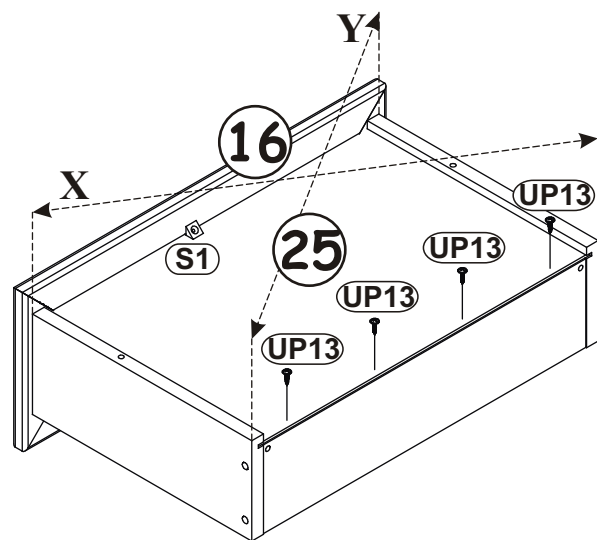
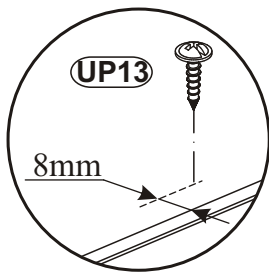
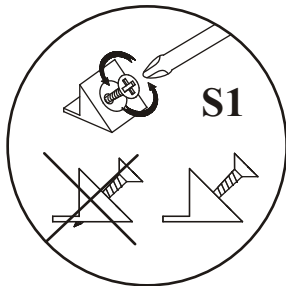
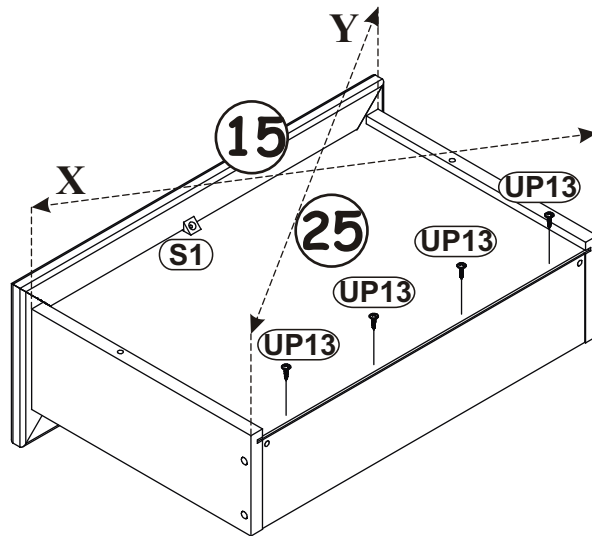
16





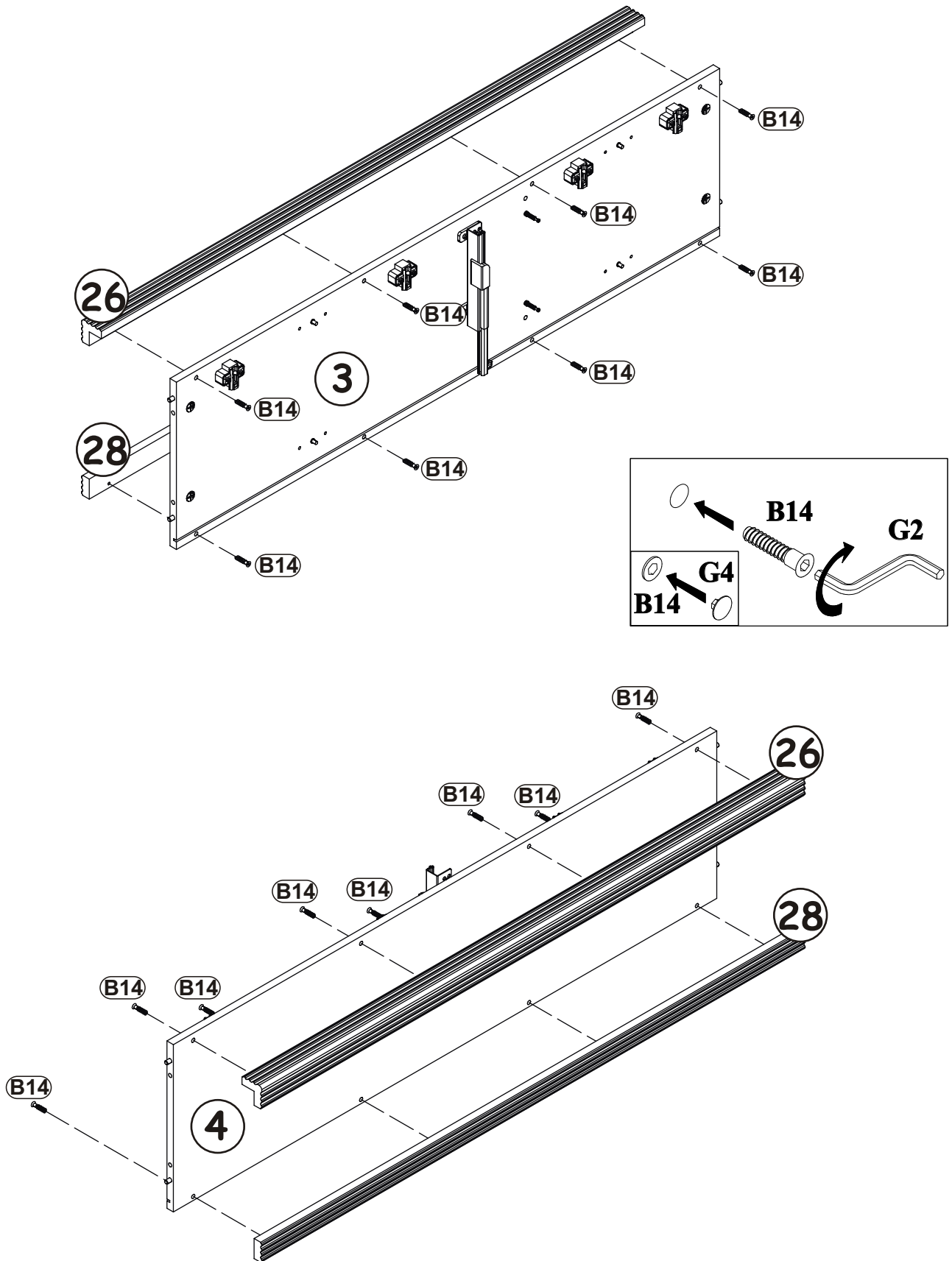
17

X=Y \uparrow 90°

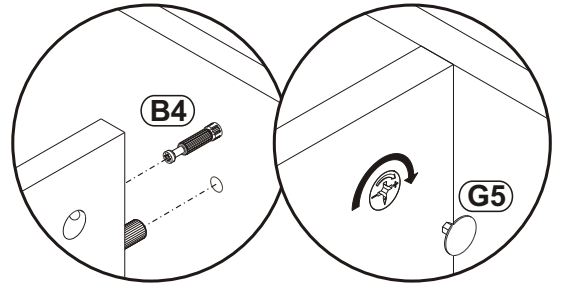
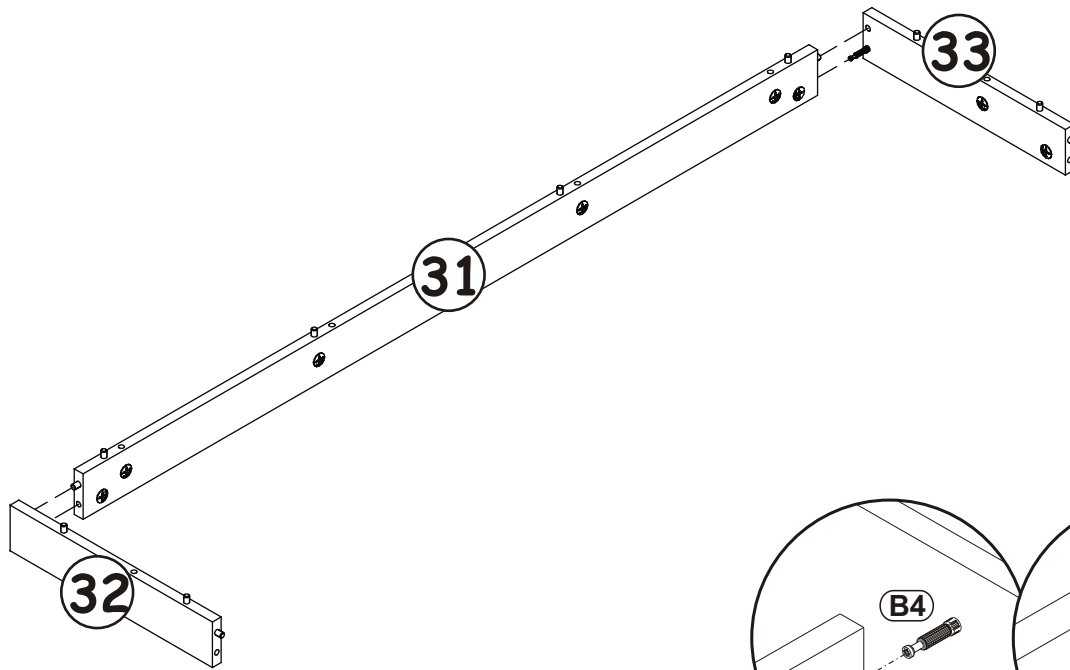
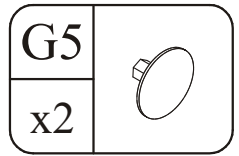
S1		UP13	
x3		x11	UPØ3x16



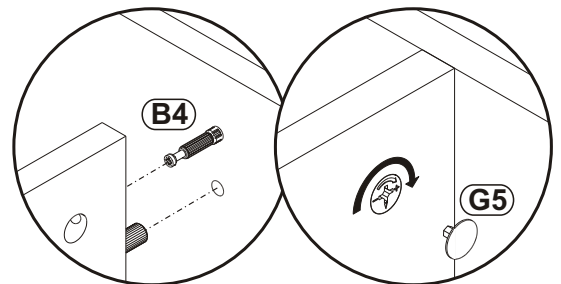
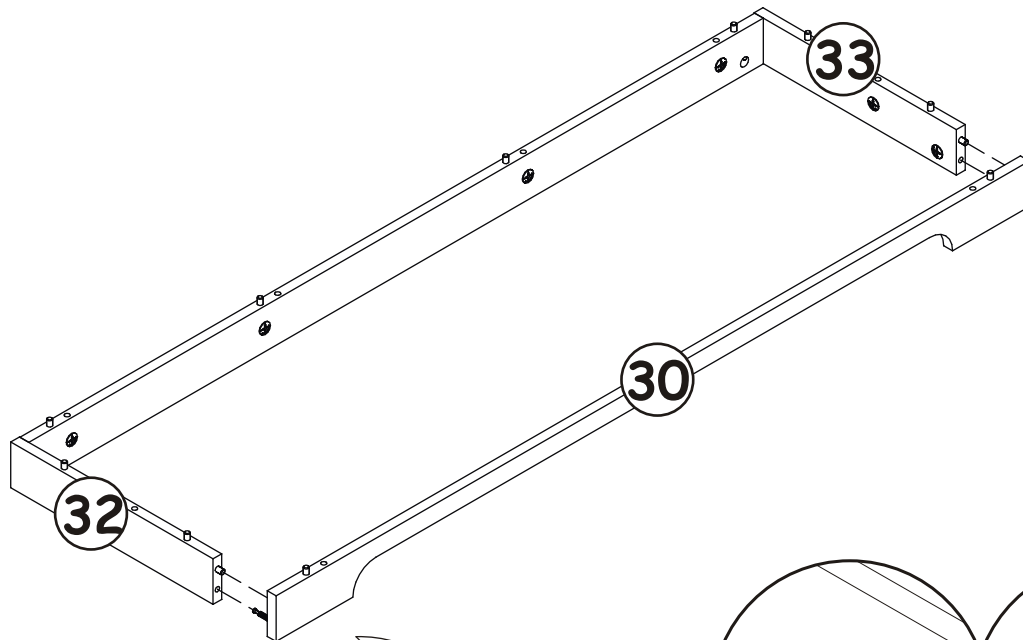
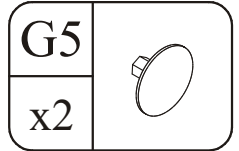
B14		G4	
x16	Ø7x30	x16	



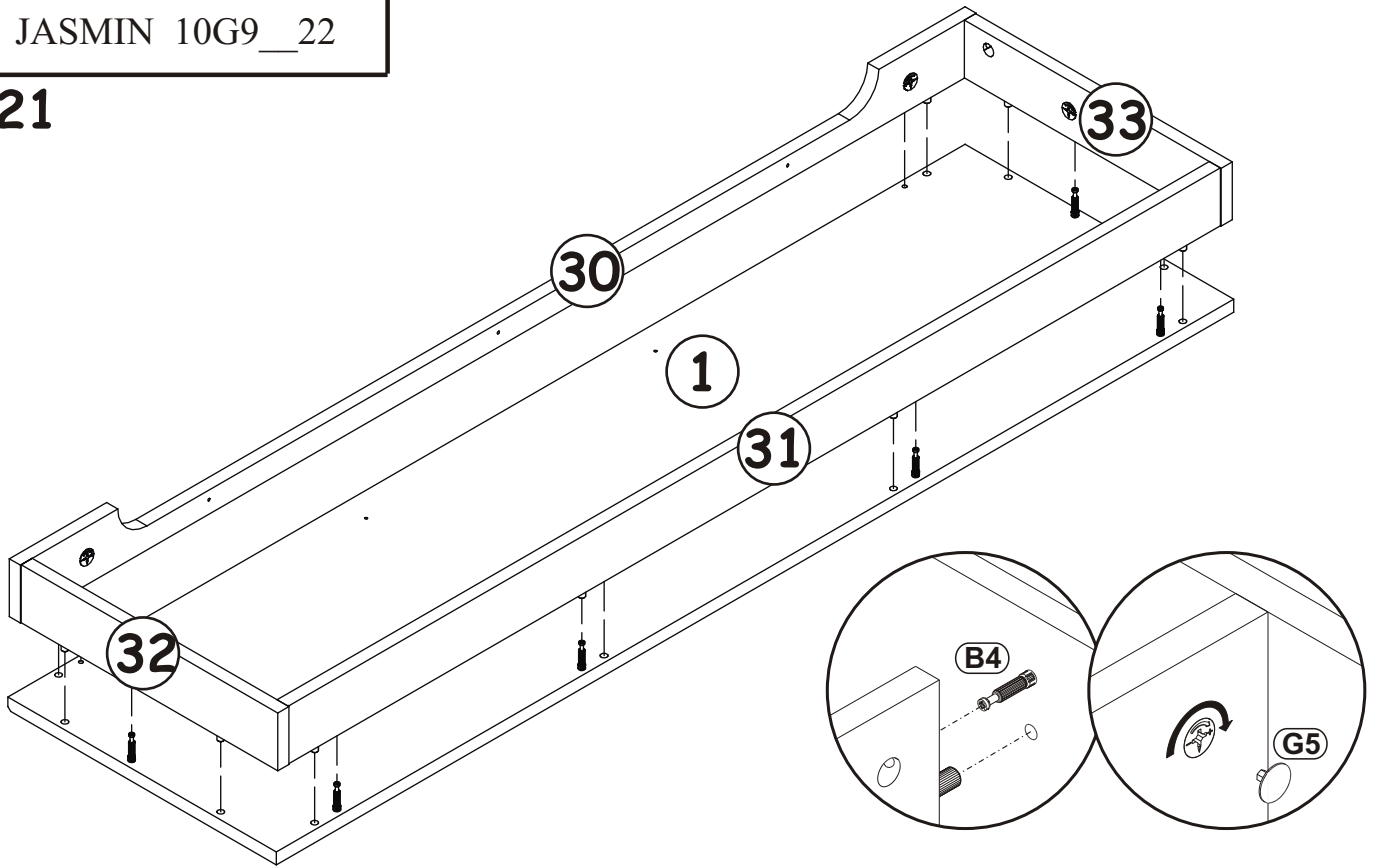
19



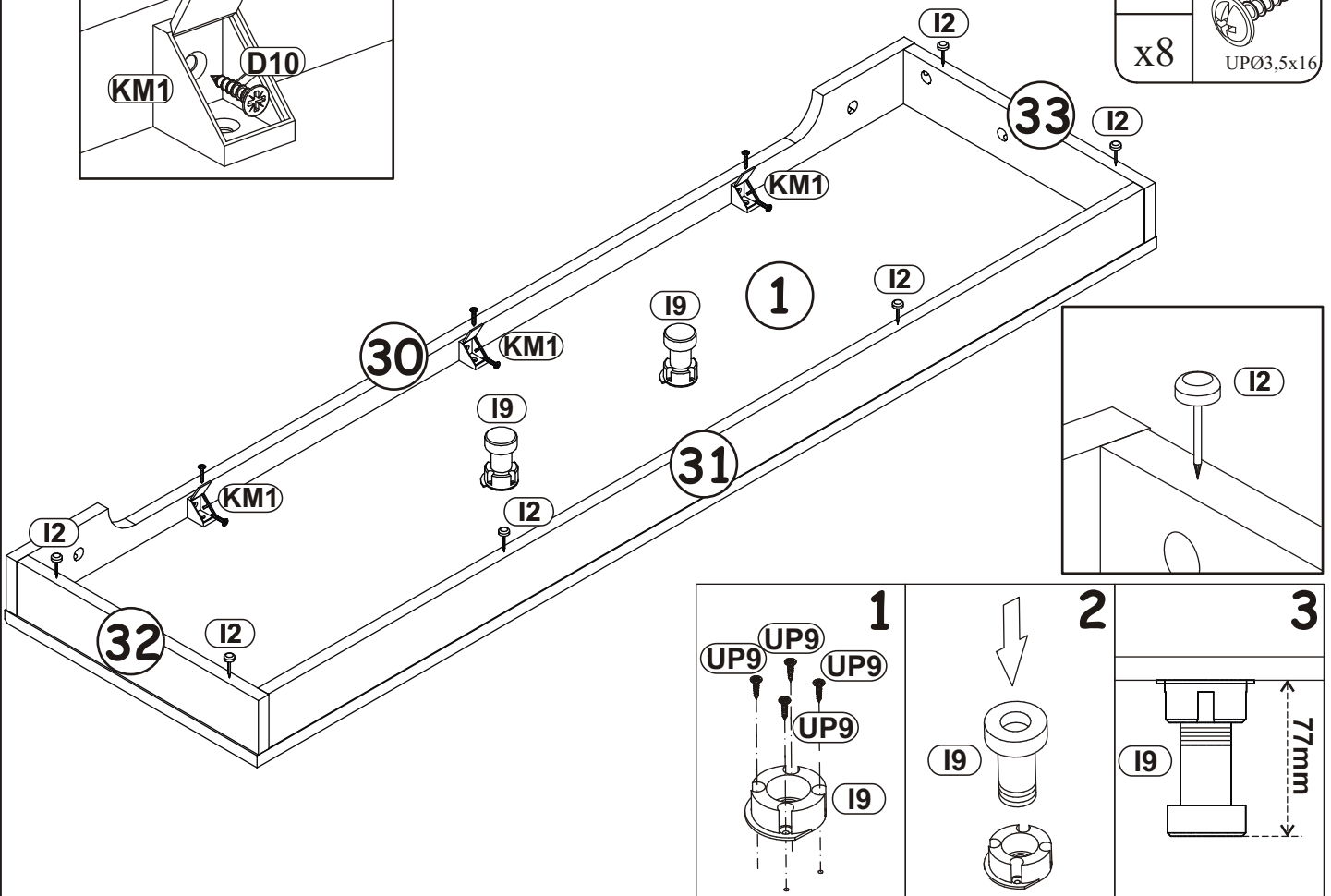
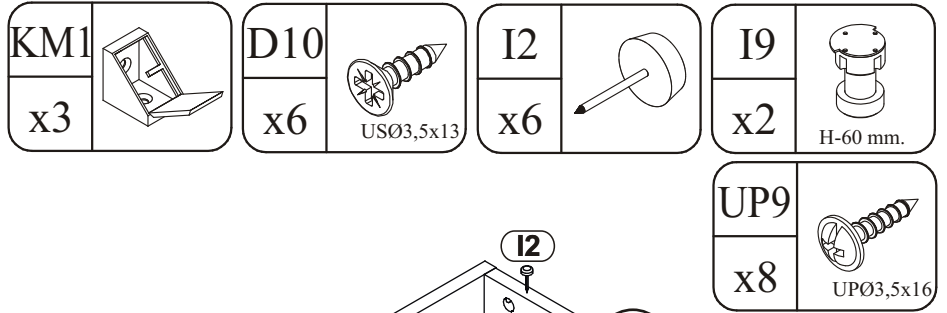
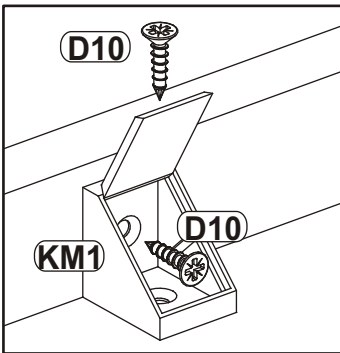
20



21



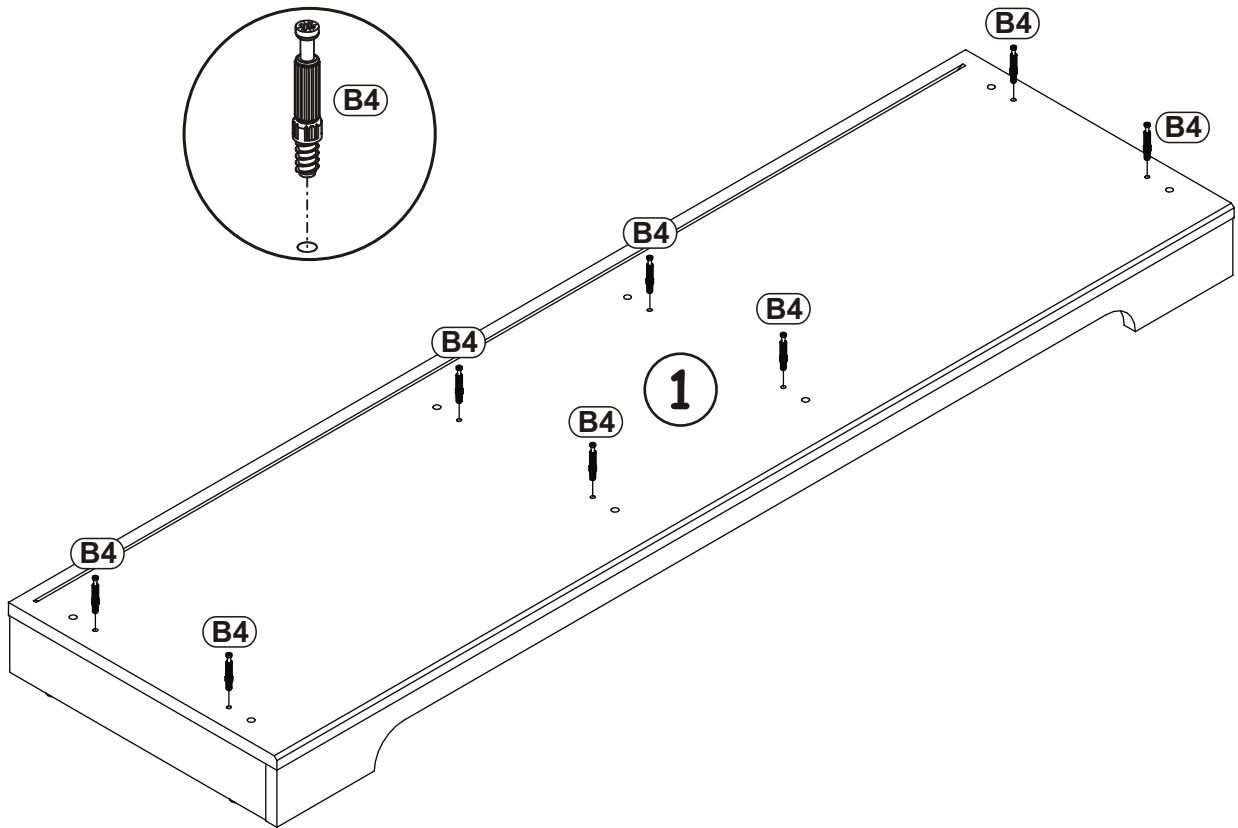
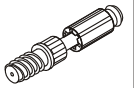
22



23

B4

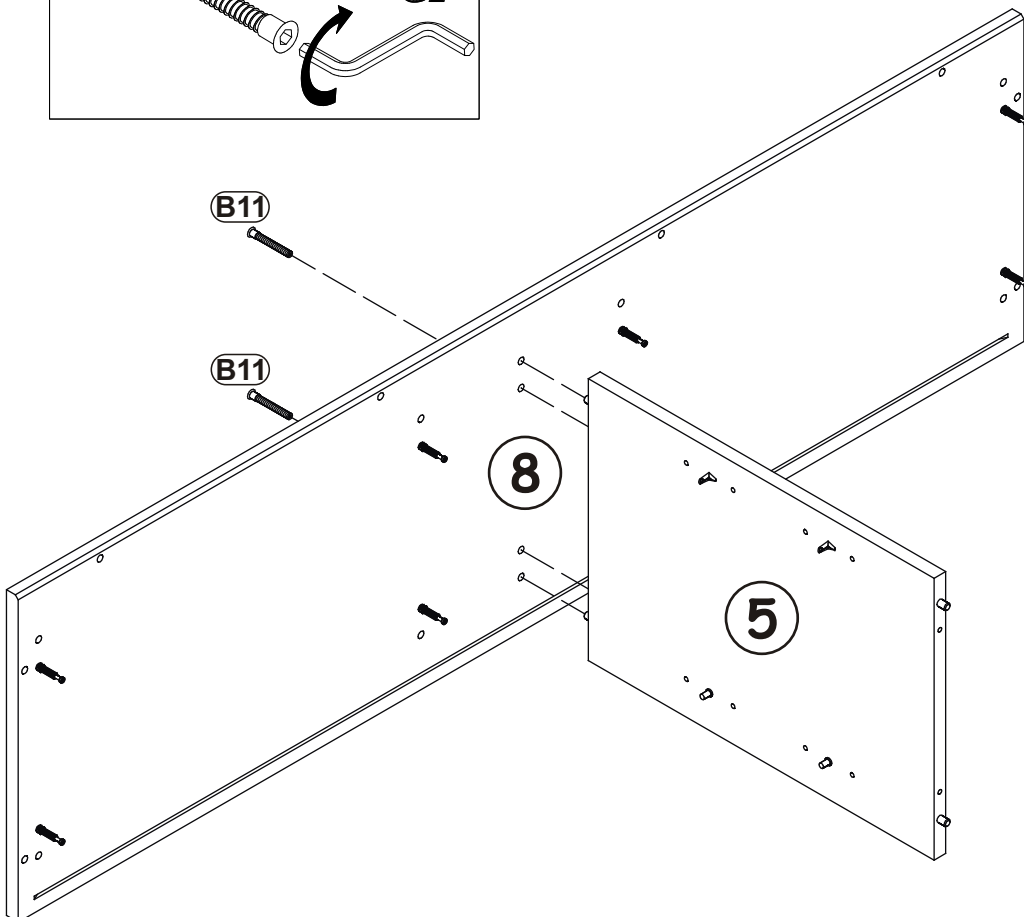
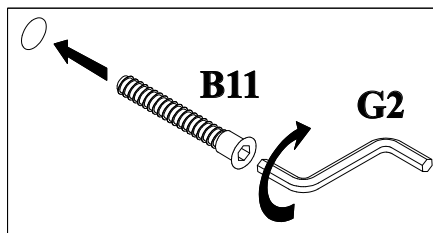
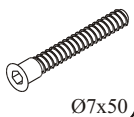
x8



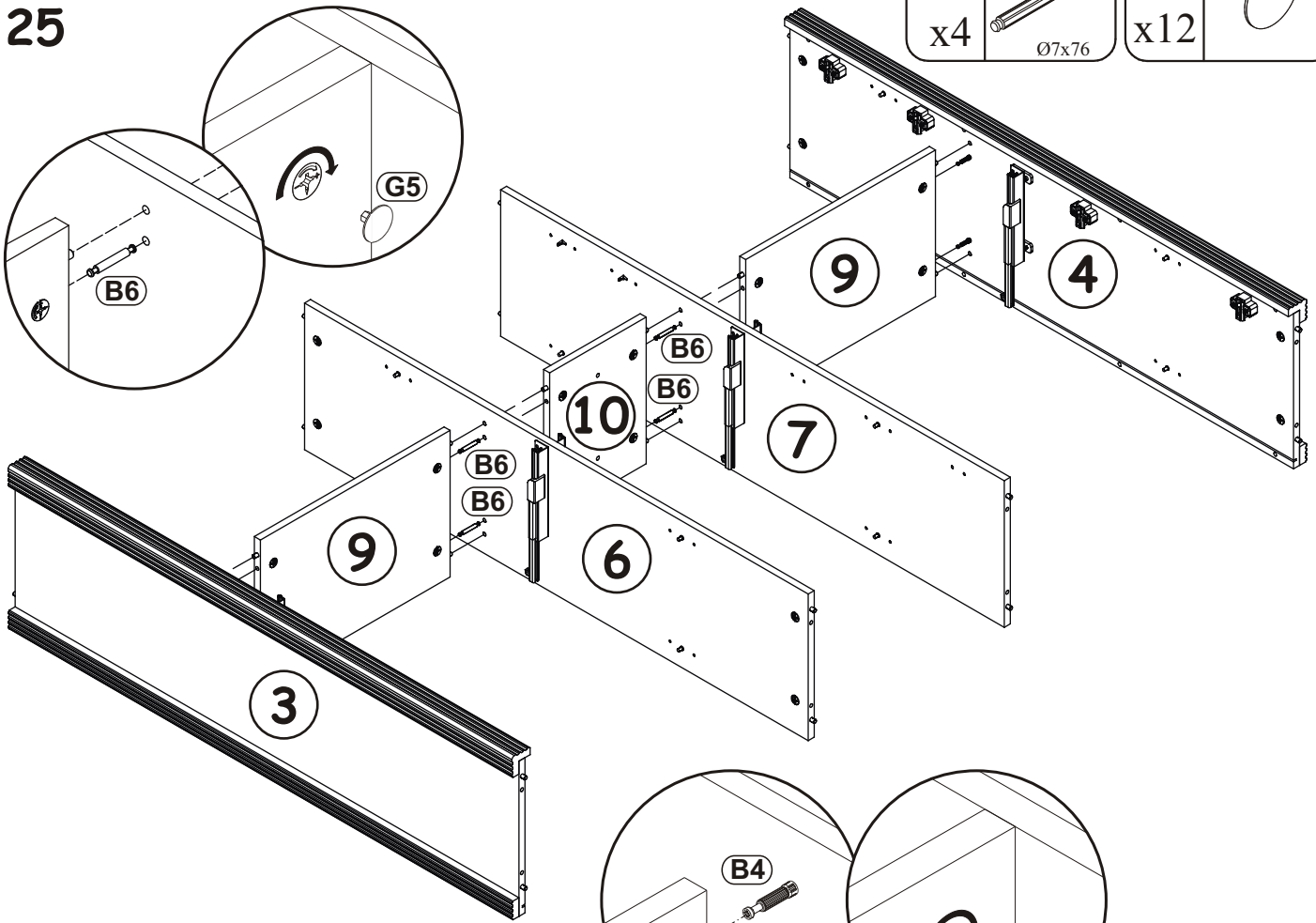
24



B11

x2

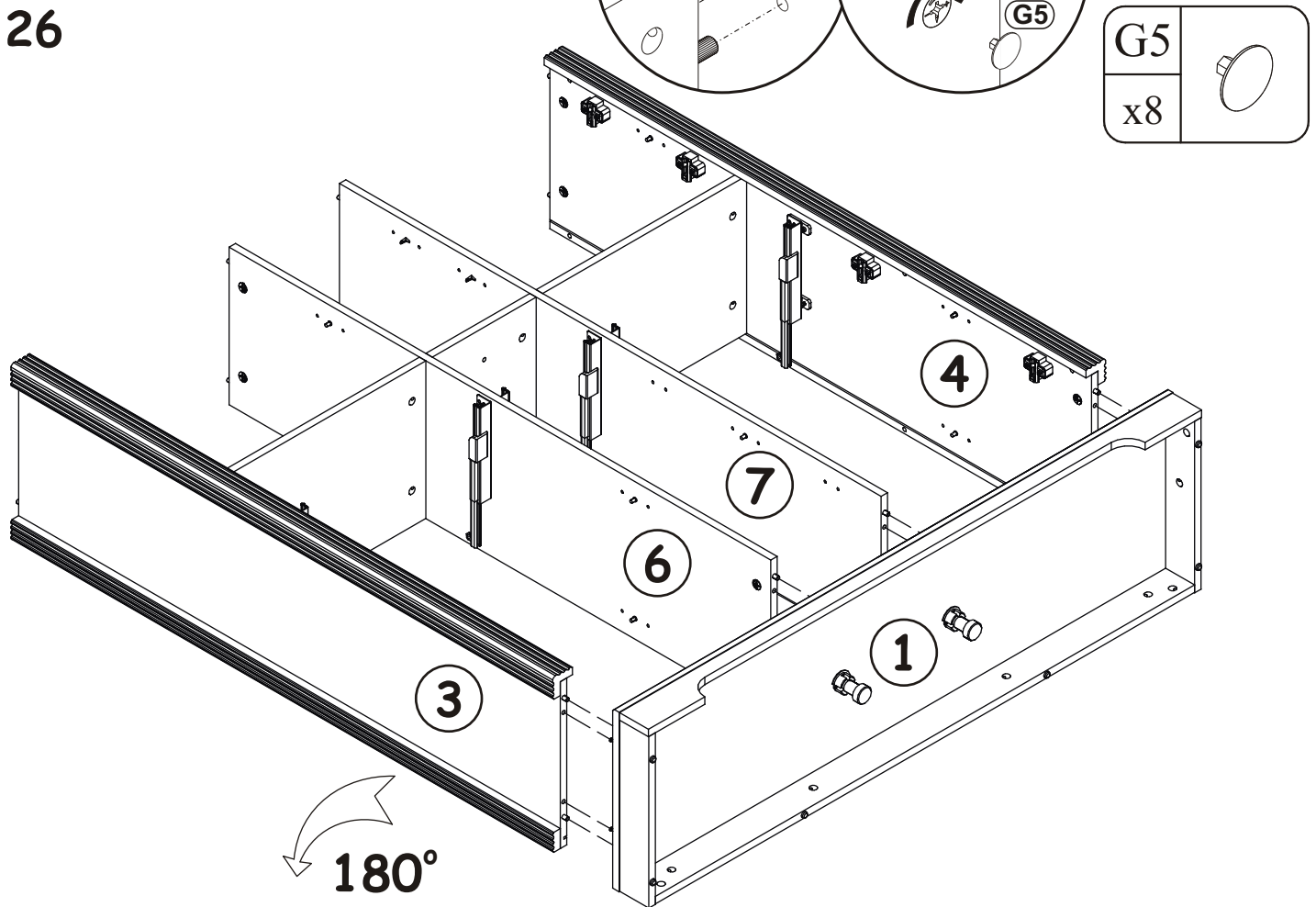



25



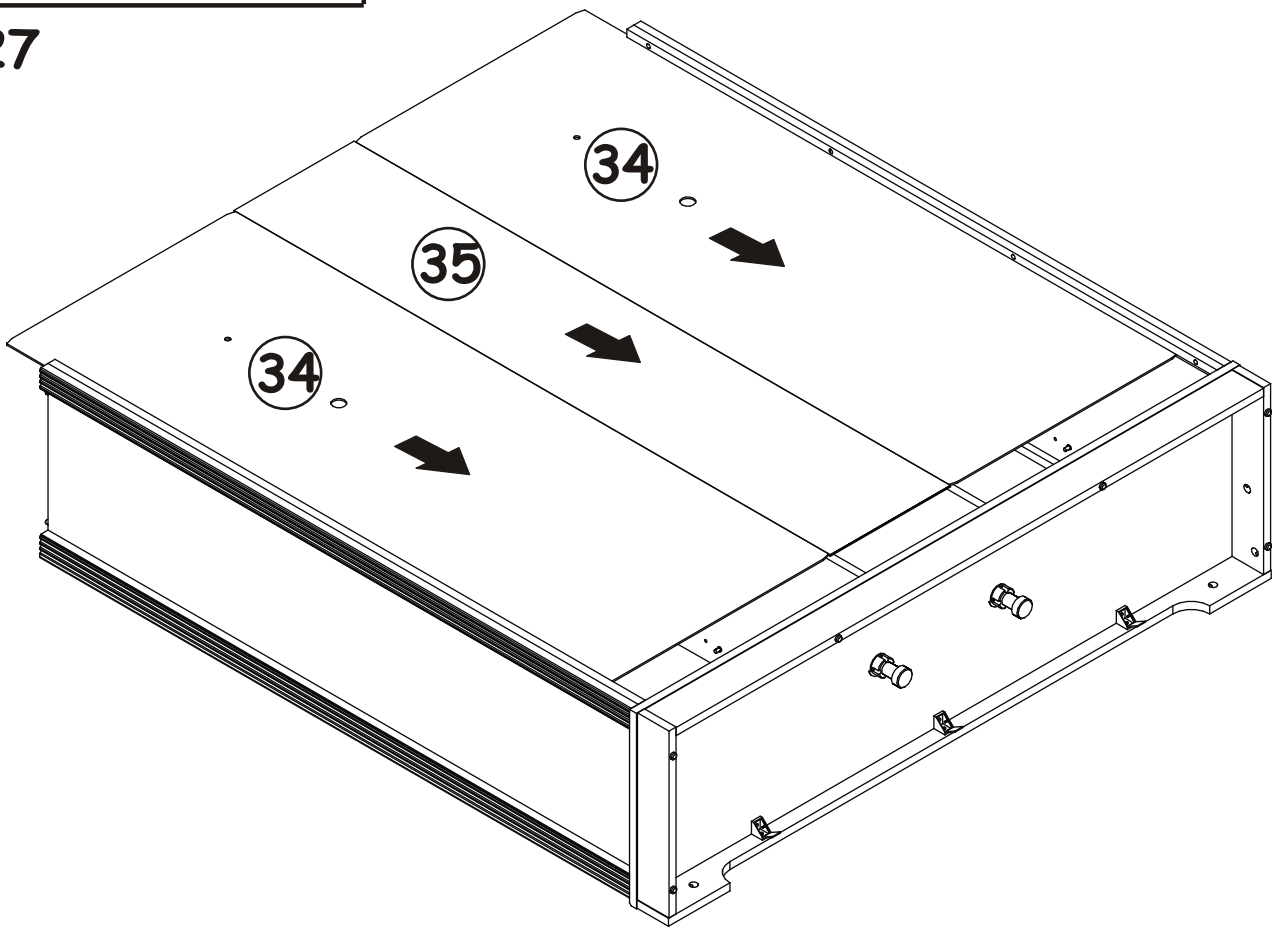
B6		G5	
x4	Ø7x76	x12	

26

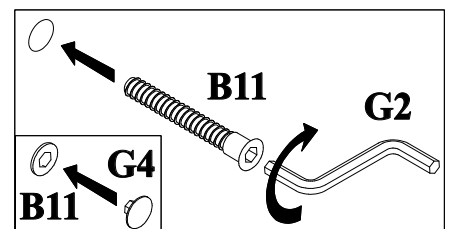
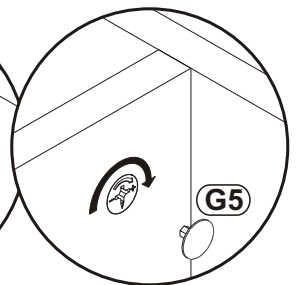
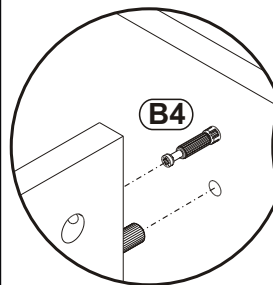
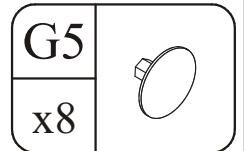
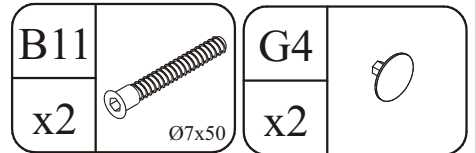
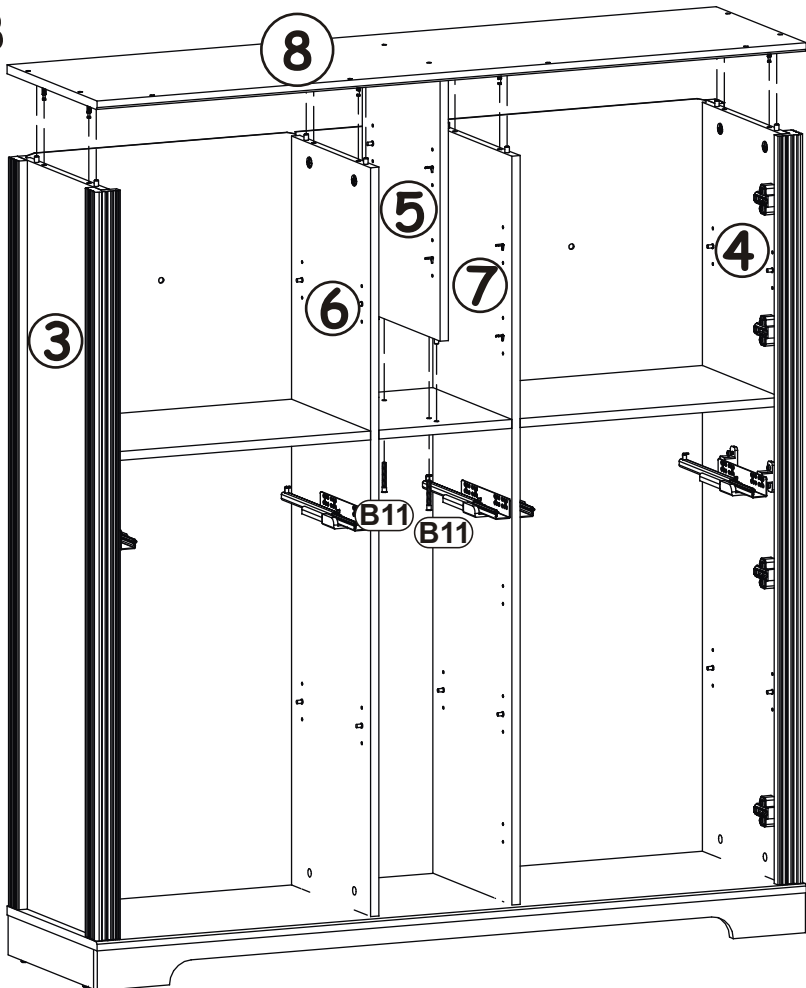


G5	
x8	

27

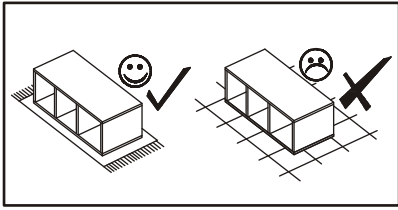


28



X=Y 90°

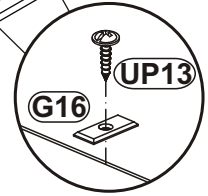
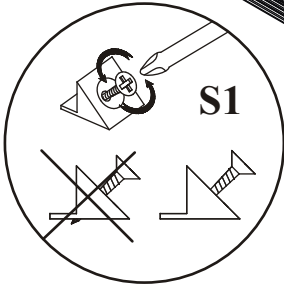
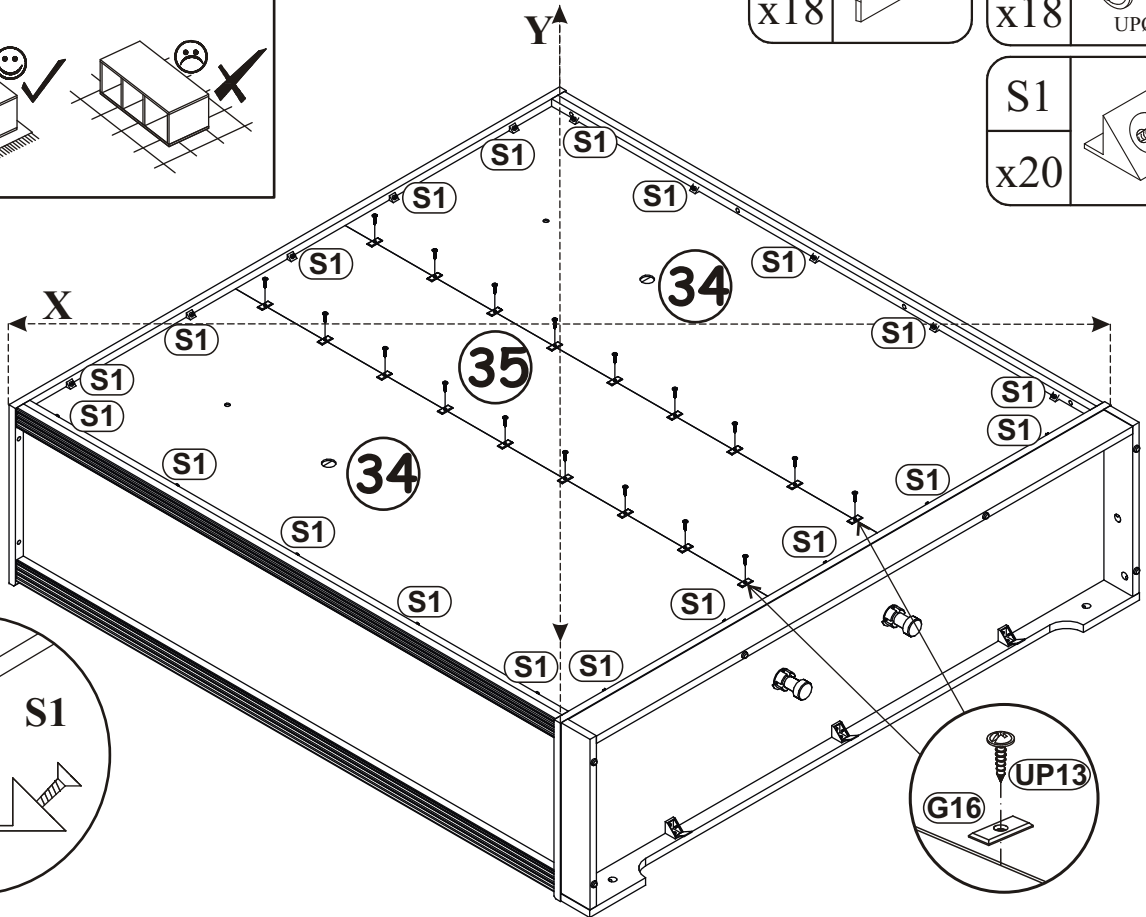
29



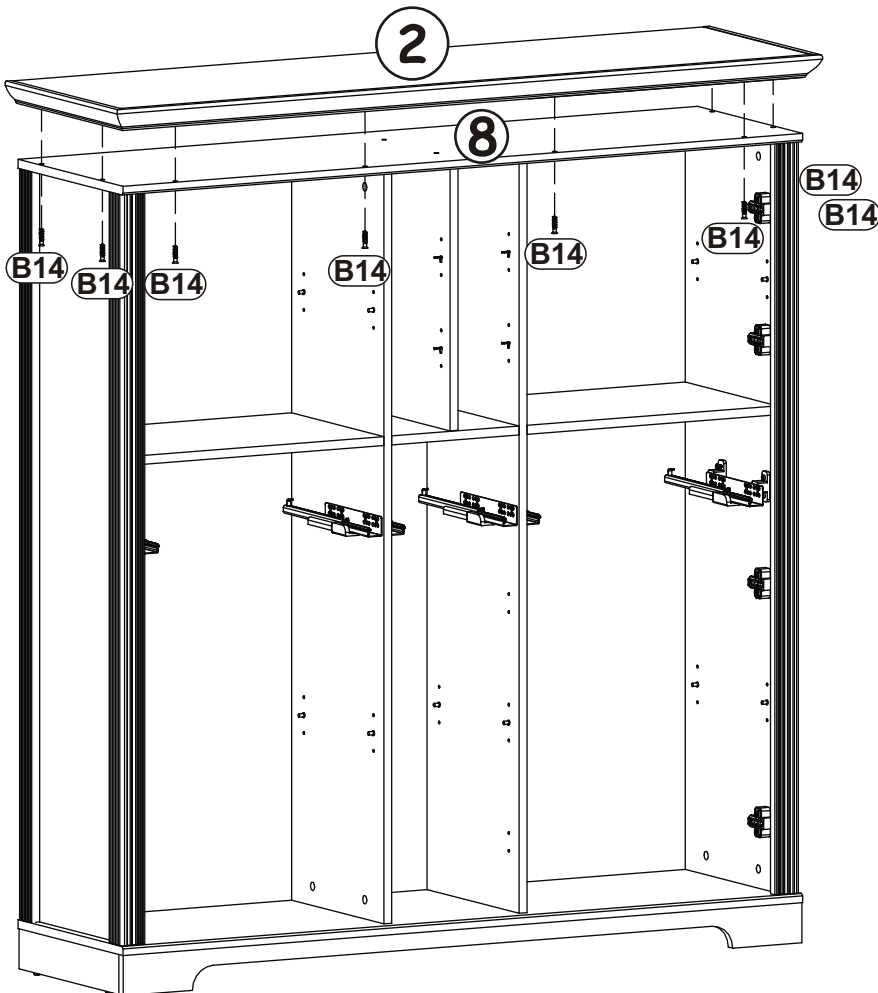
G16	
x18	

UP13	
x18	UPØ3x16

S1	
x20	

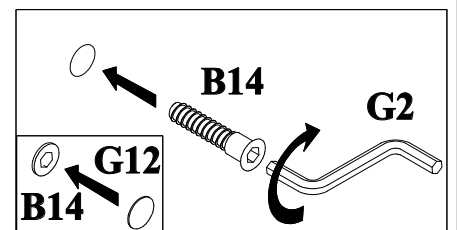
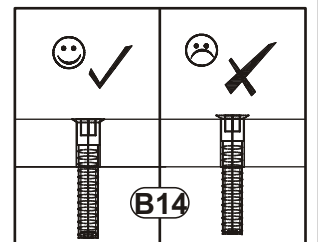


30

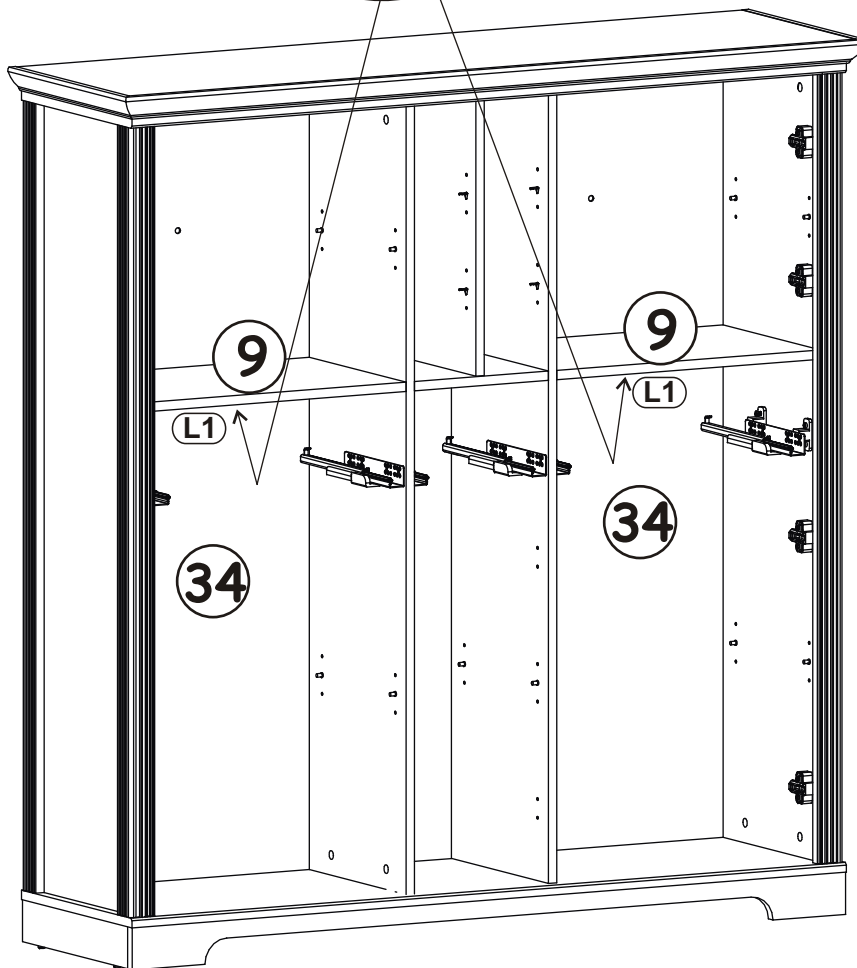
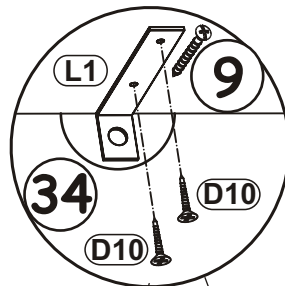
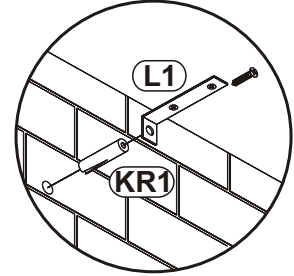
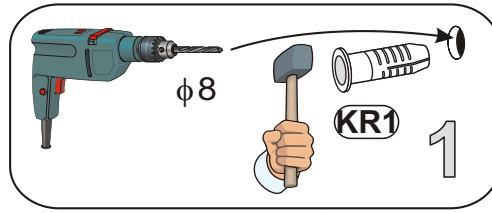
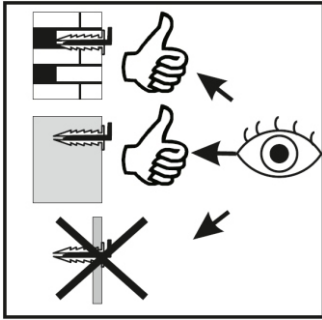
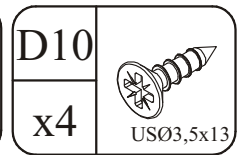
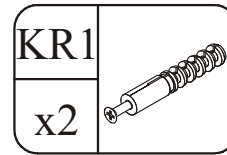
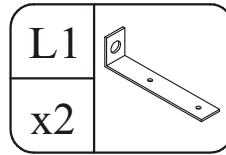


B14	
x8	Ø7x30

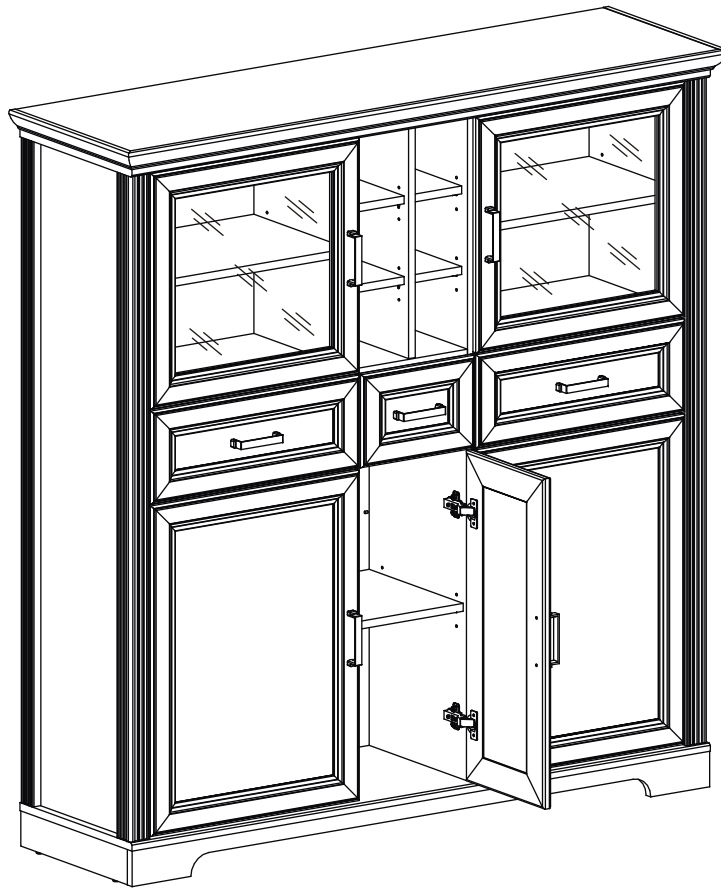
G12	
x8	Ø14



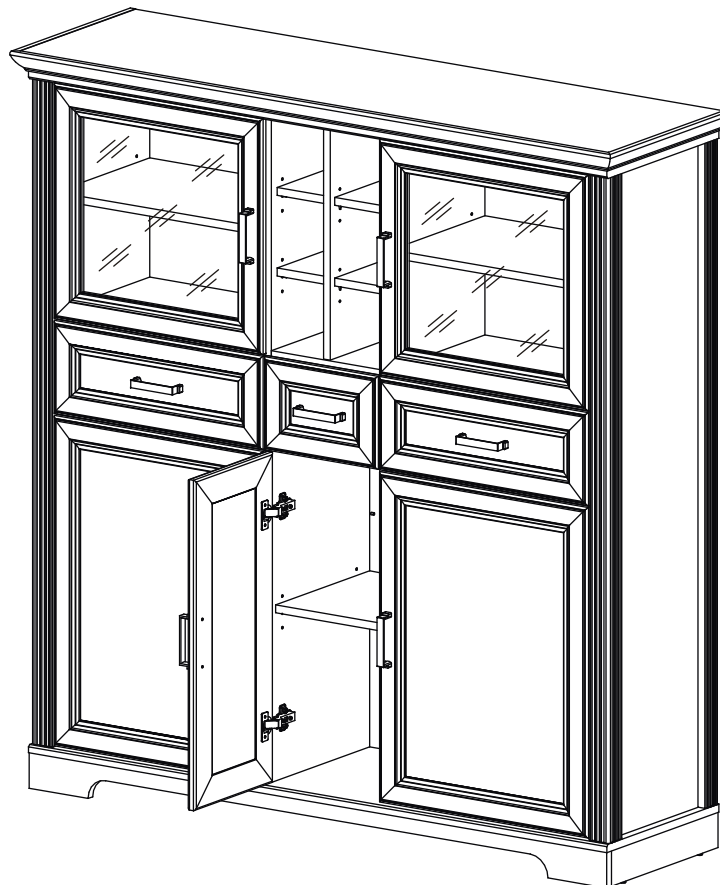
31



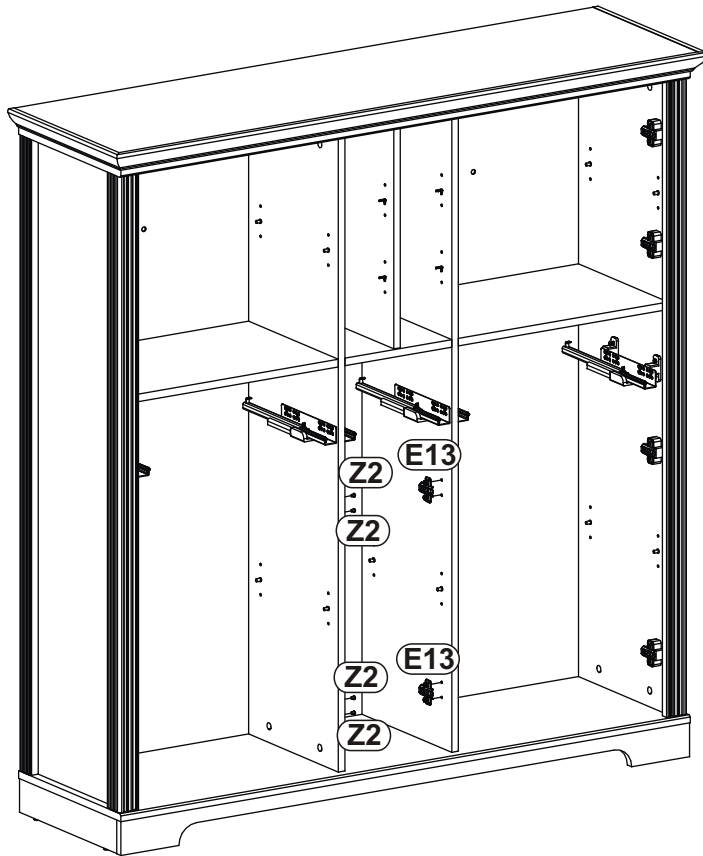
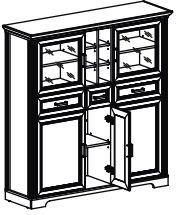
32-36



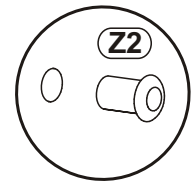
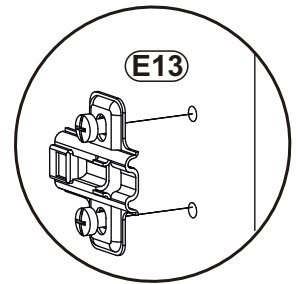
37-41



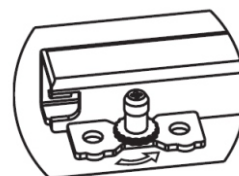
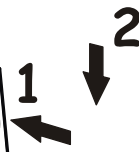
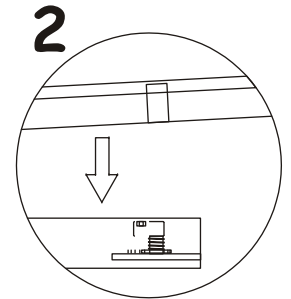
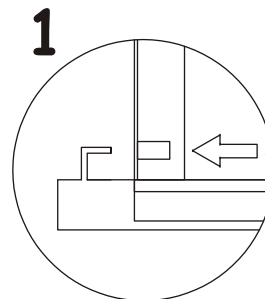
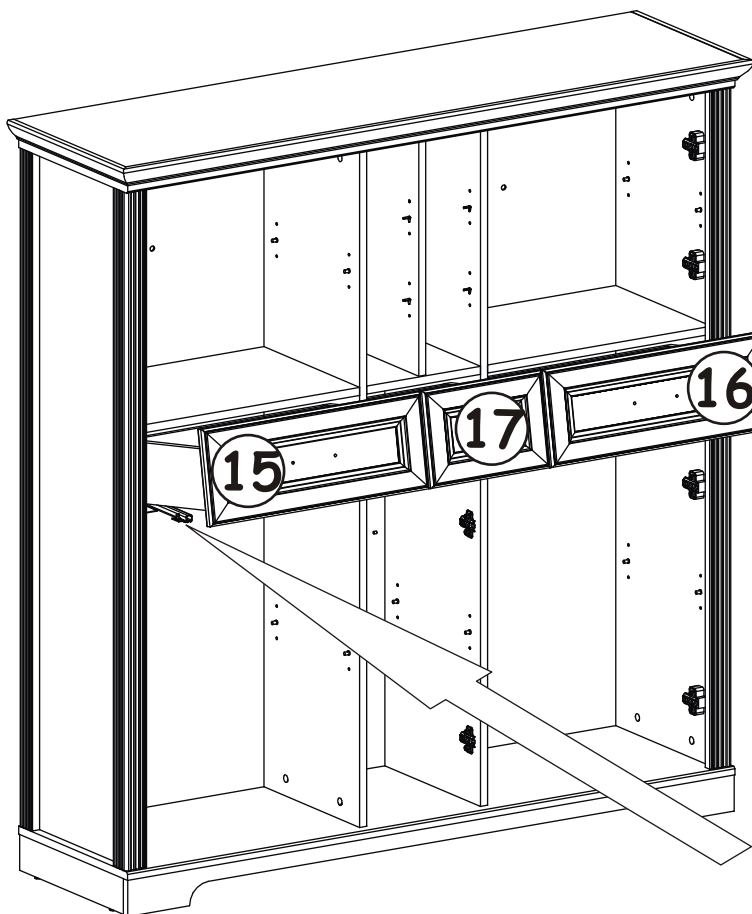
32



E13		Z2	
x2		x4	Ø5

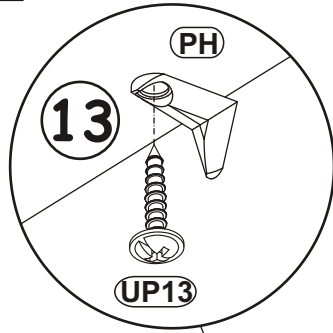
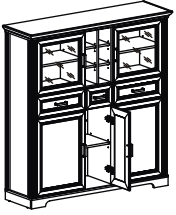


33

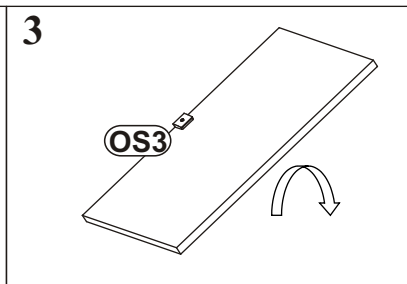
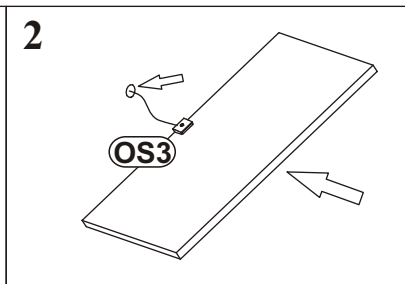
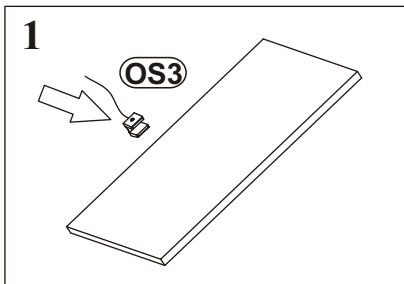
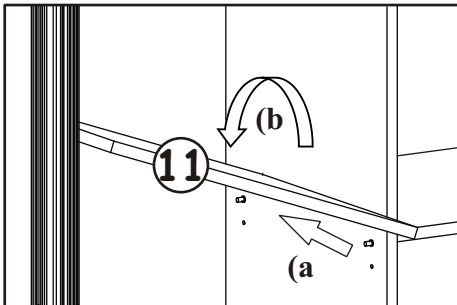
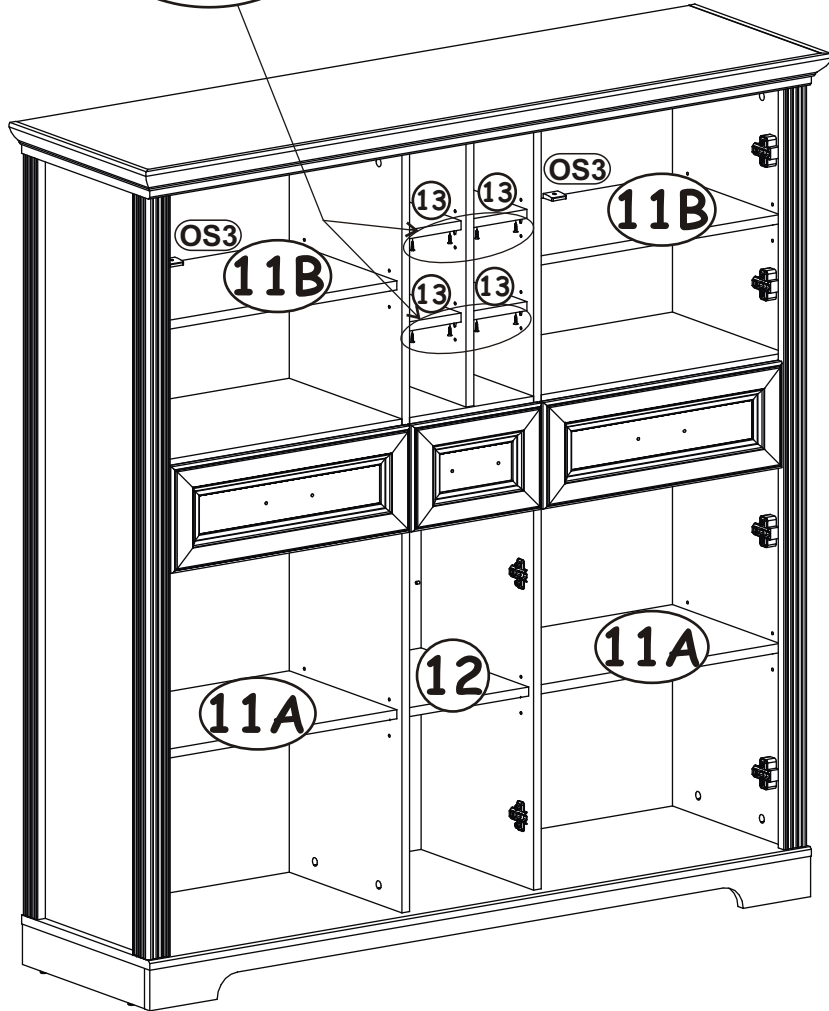


↑ +4 mm

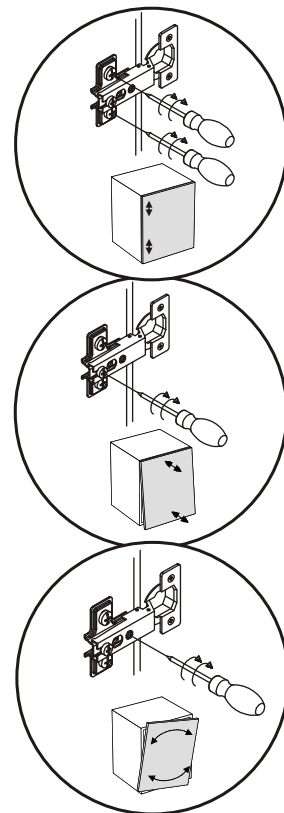
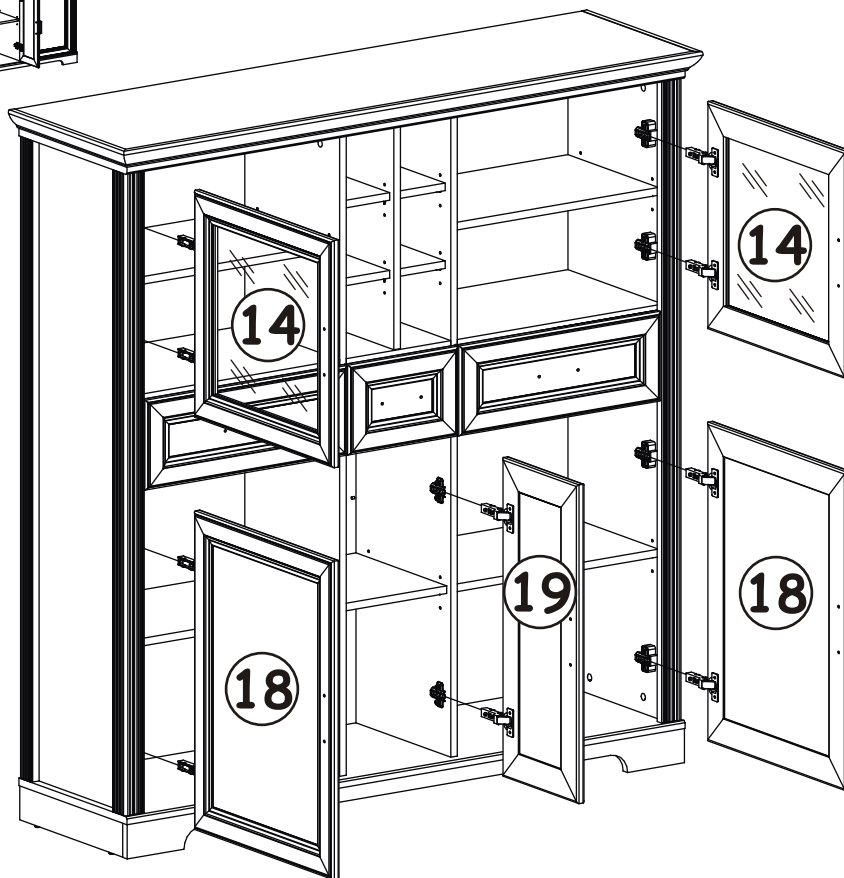
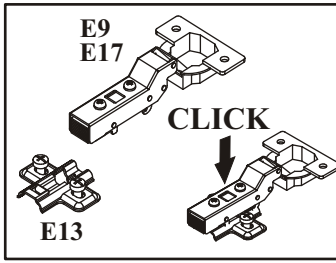
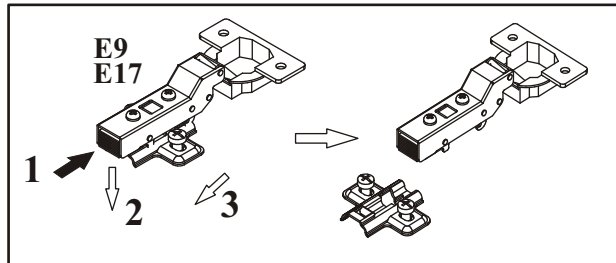
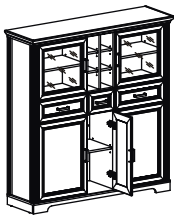
34



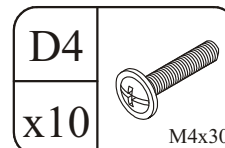
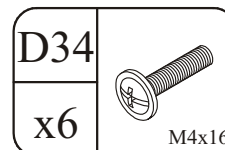
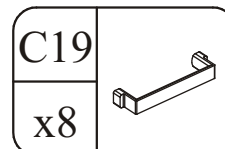
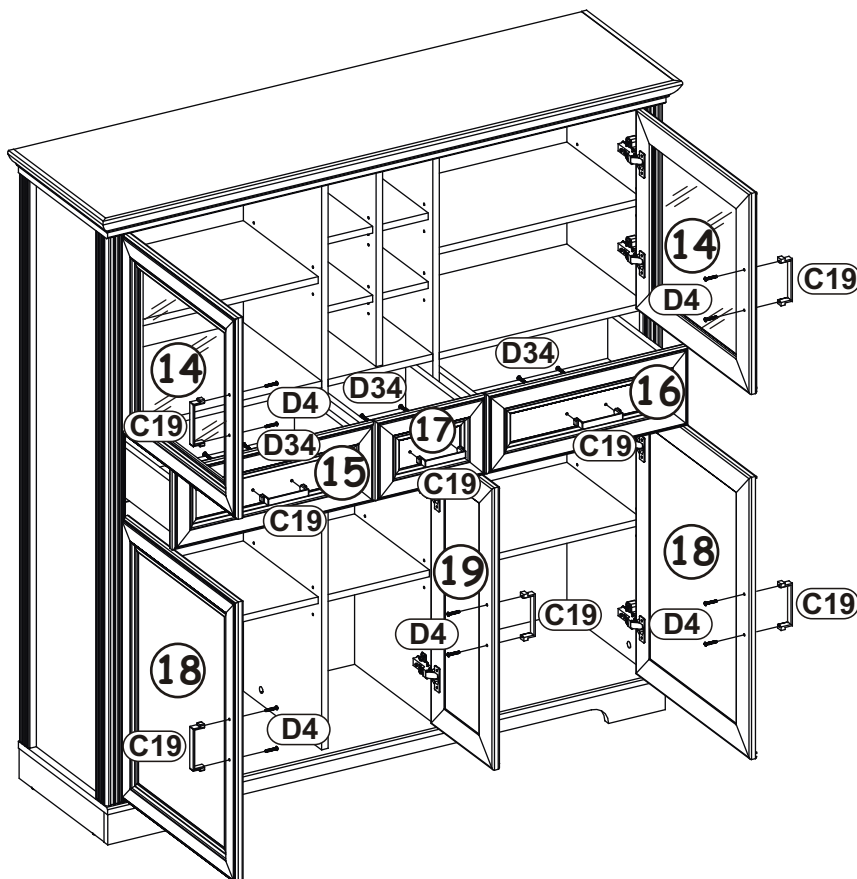
OS3		UP13	
x2		x8	UPØ3x16



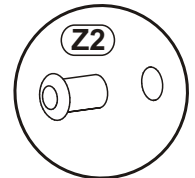
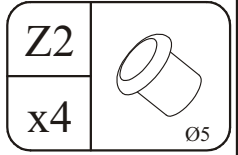
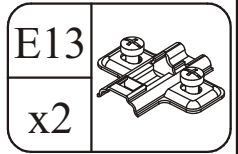
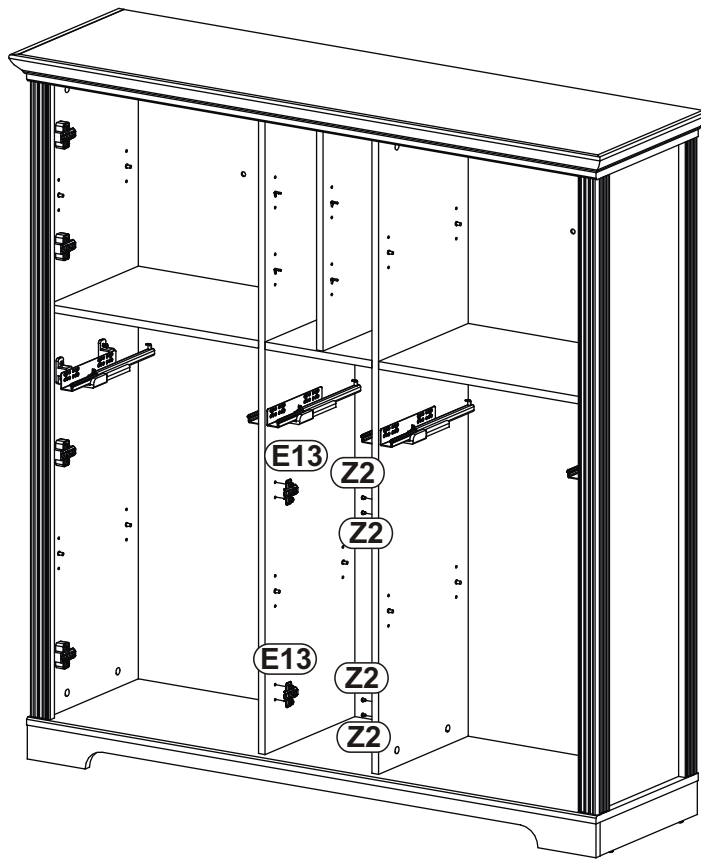
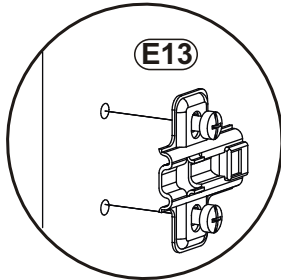
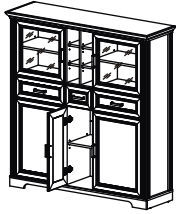
35



36

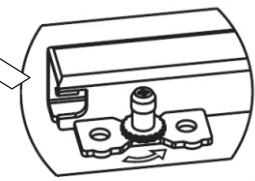
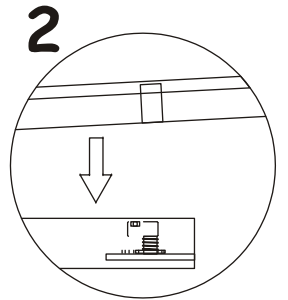
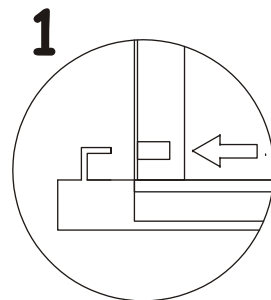
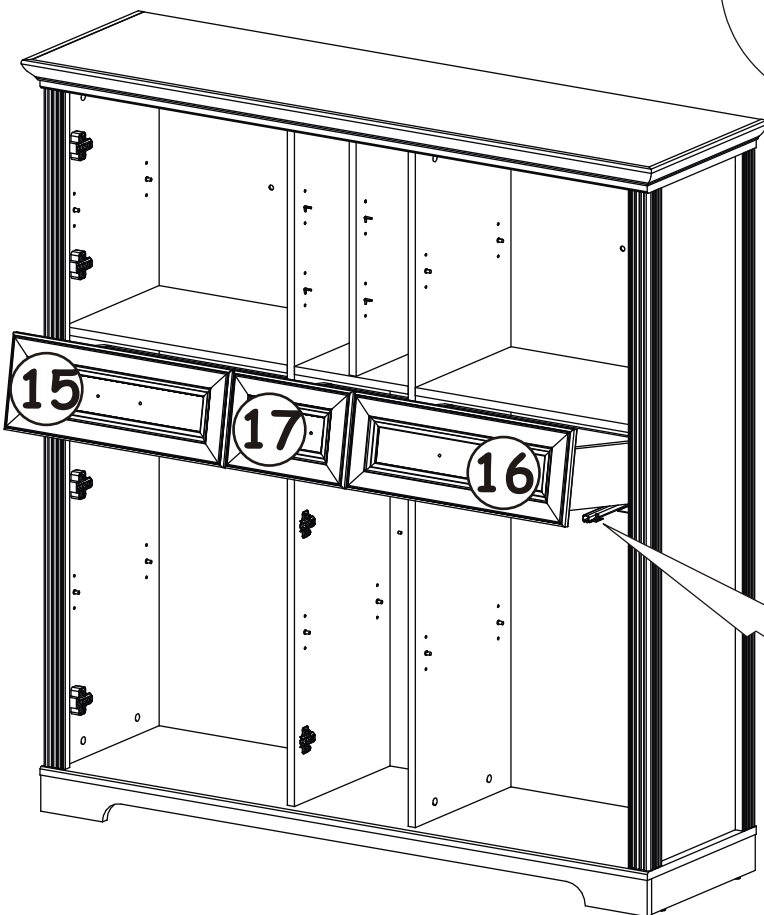


37



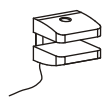

38

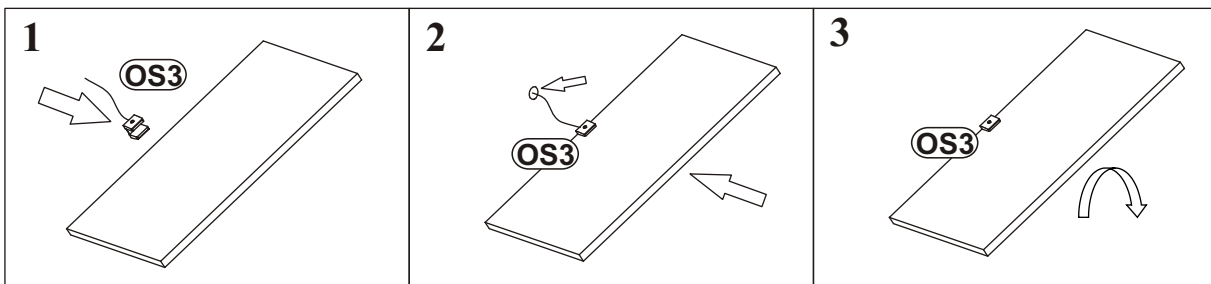
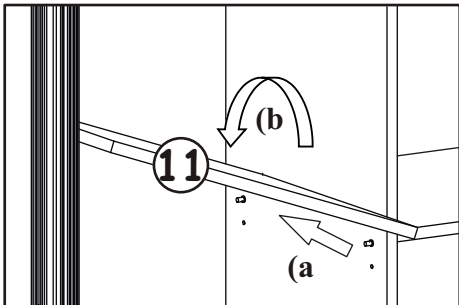
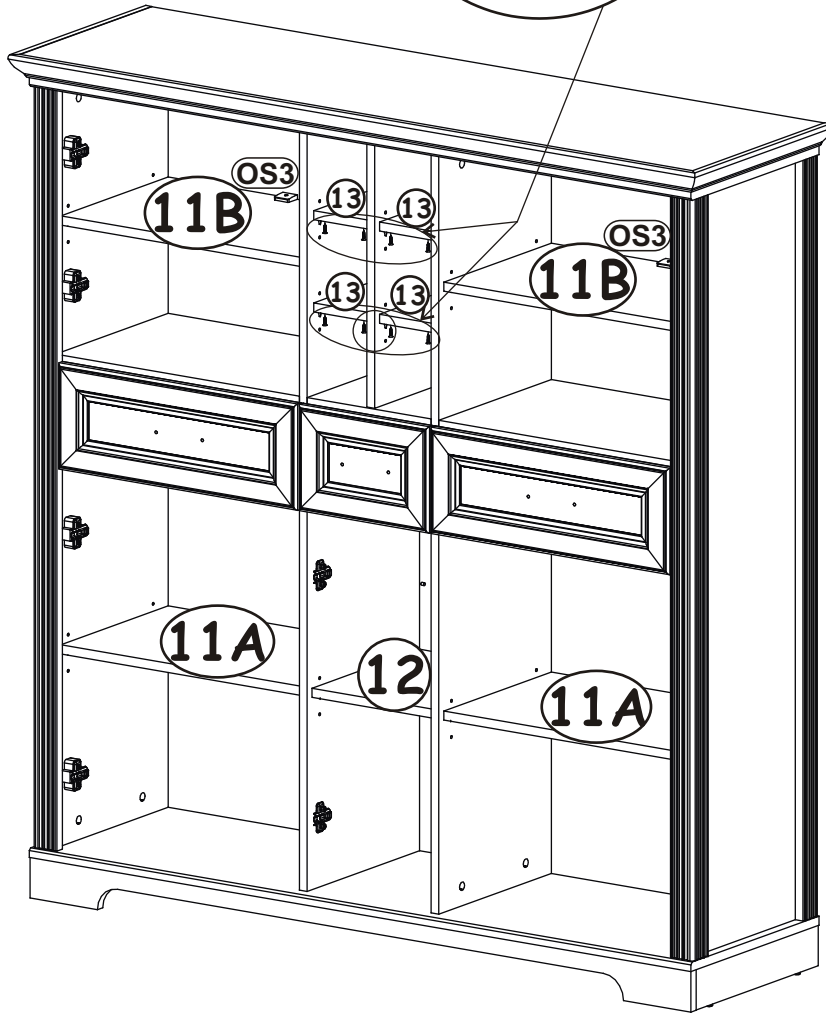
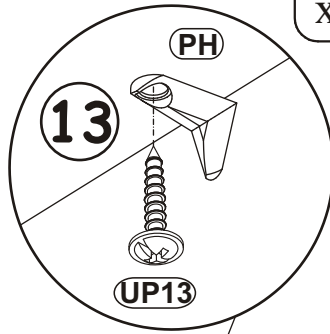
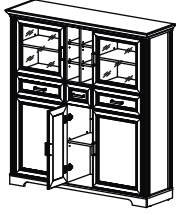
2
1



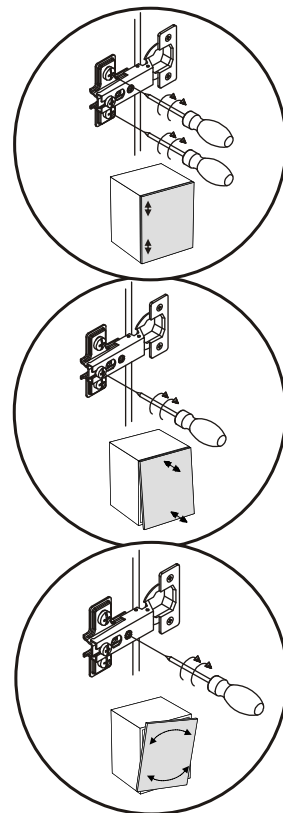
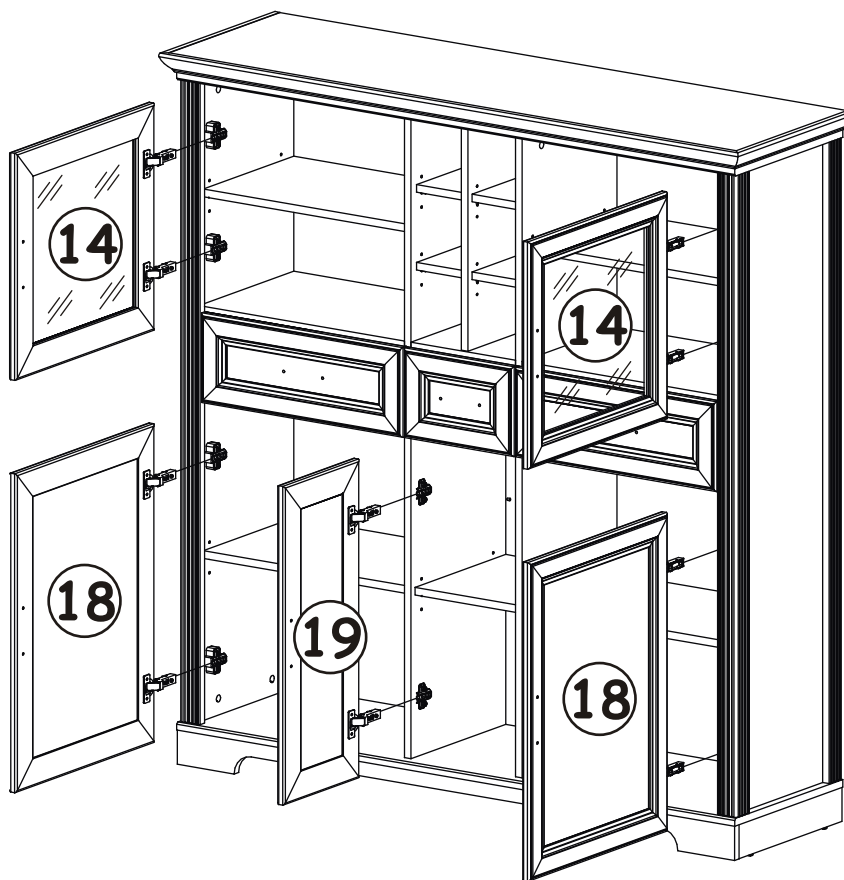
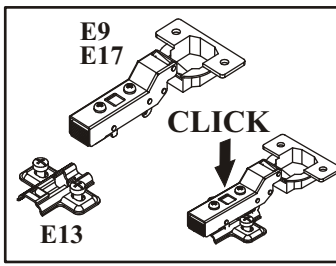
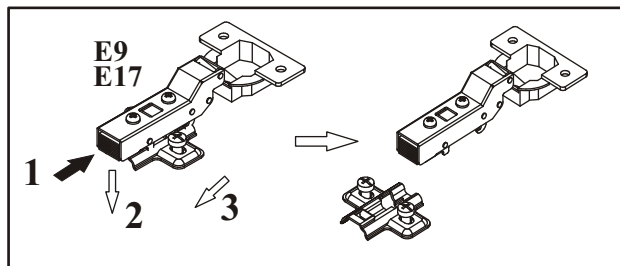
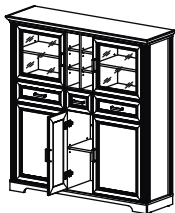
↑ +4 mm

39

OS3		UP13	
x2		x8	UPØ3x16



40



41

