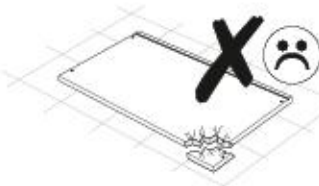
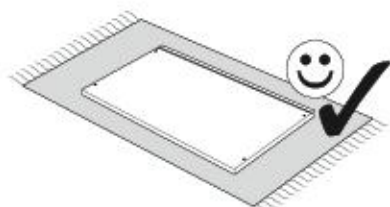
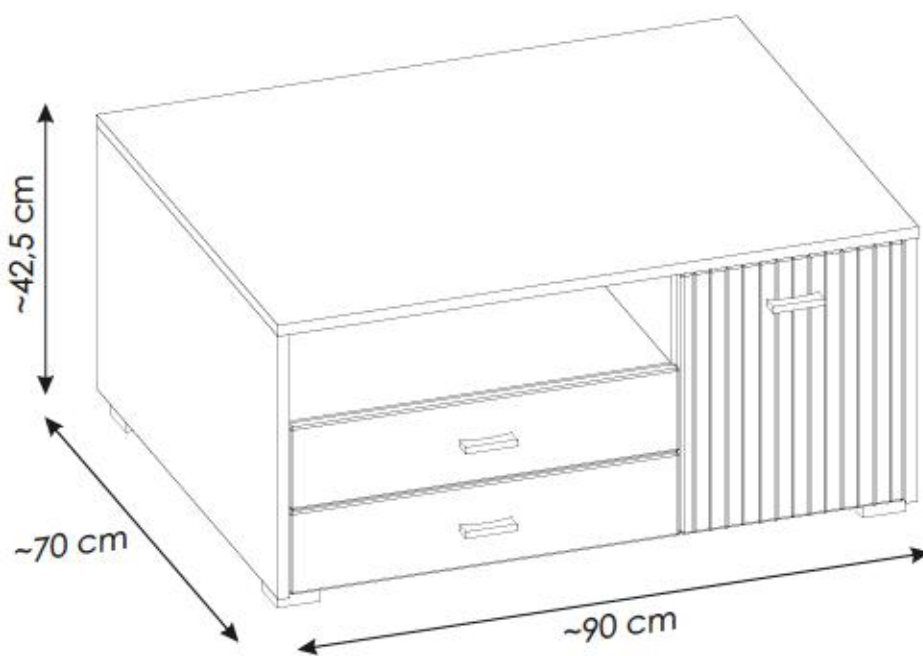
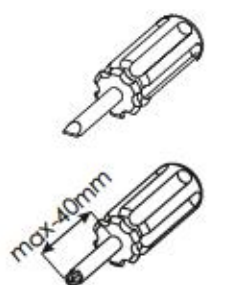
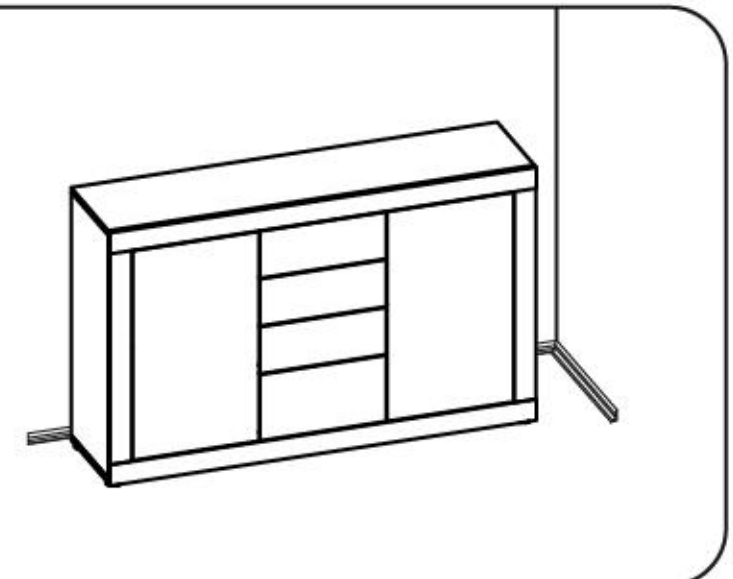
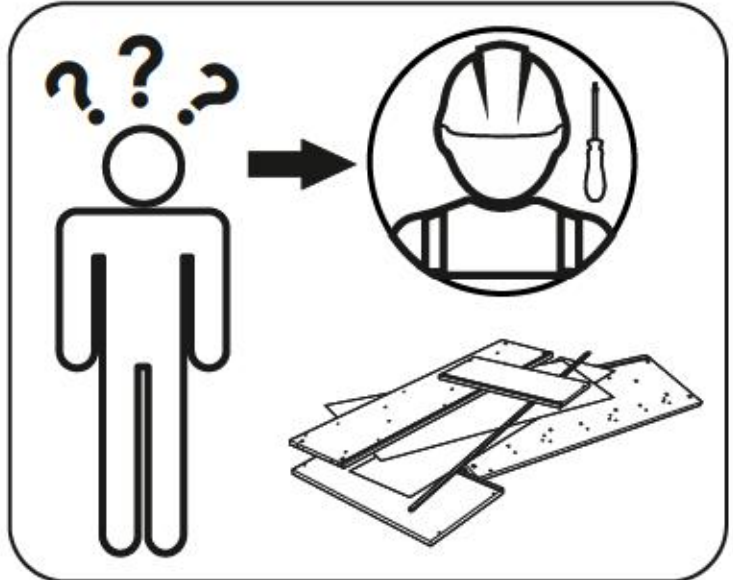
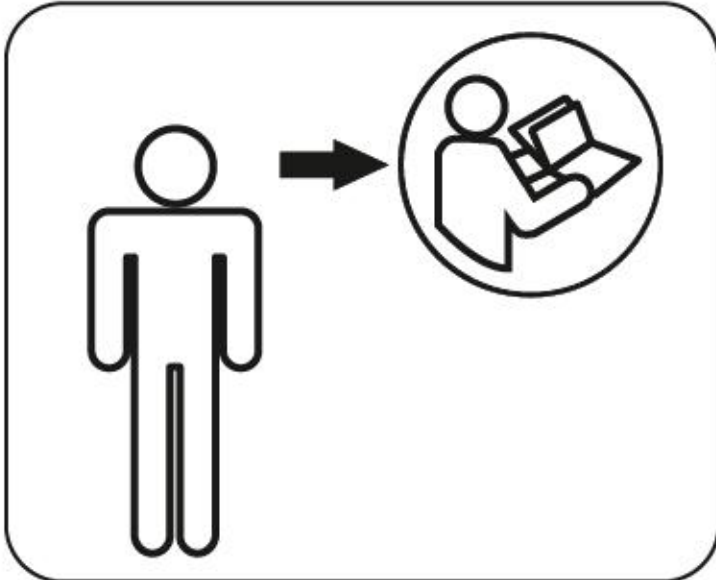
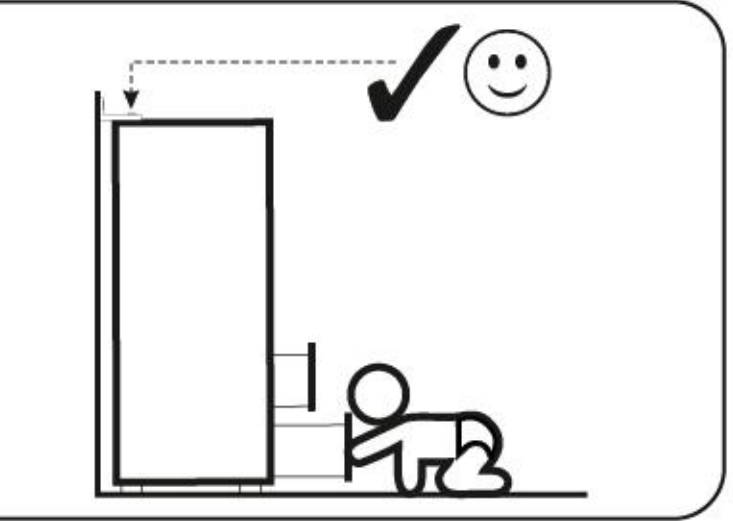
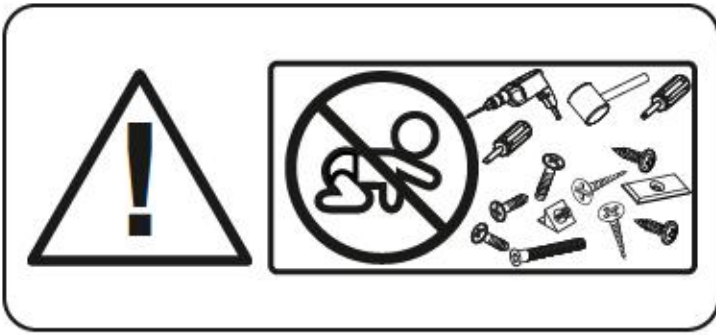


# 3WSEHU61/3WSYHU61





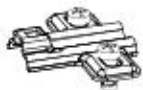


version A



version B

BCxx



BCxx



BCxx + BCxx

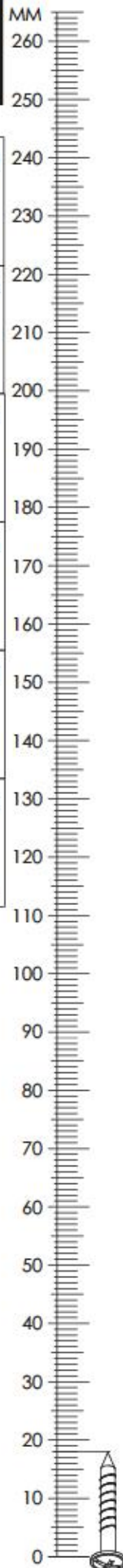




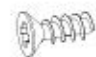





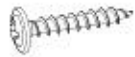



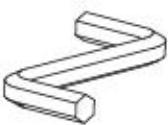

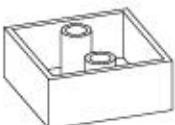


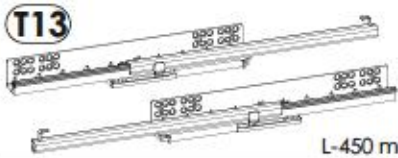

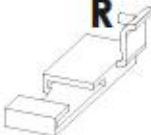
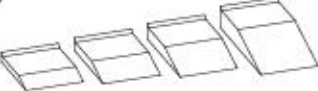
BCxx

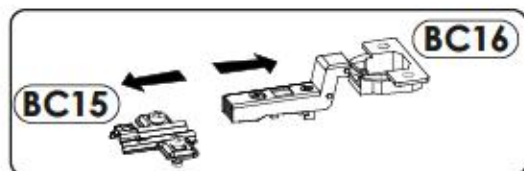


BCxx

# 3WSEHU61/3WSYHU61

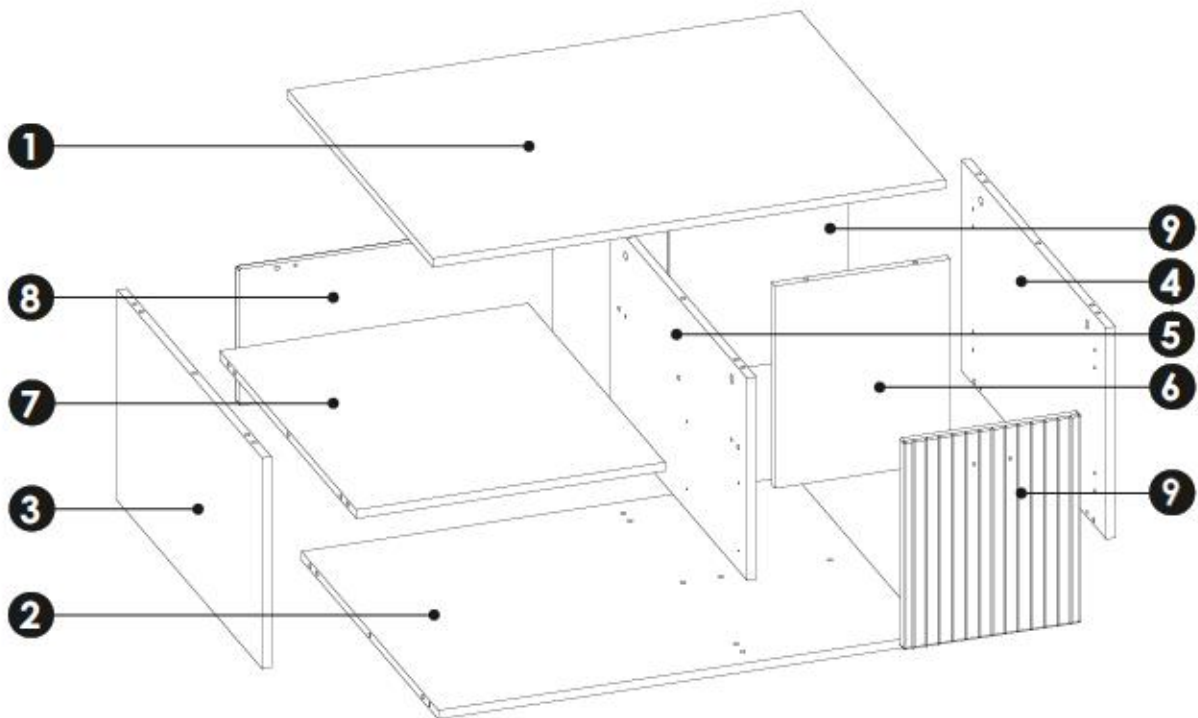
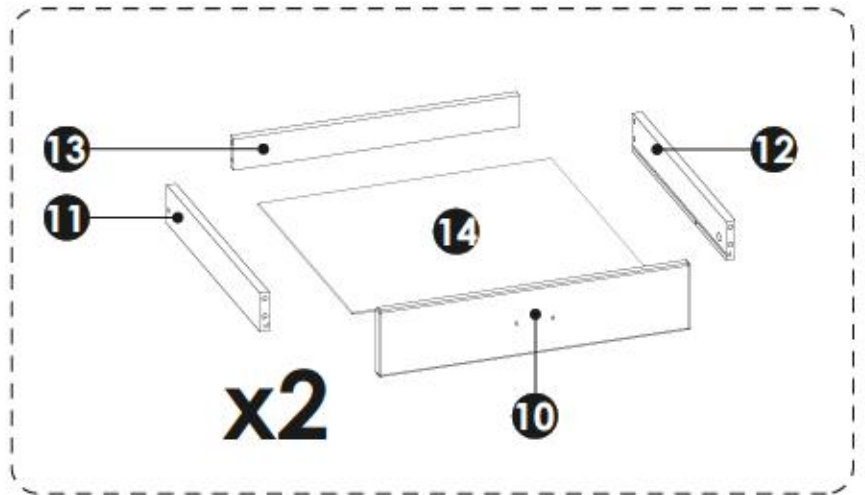
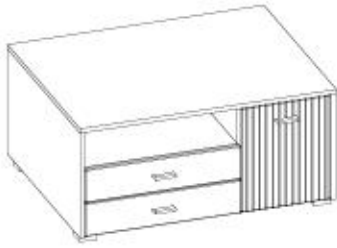


|            |   |     |  |   |           |  |  |     |
|------------|---|-----|--|---|-----------|--|--|-----|
| <b>A1</b>  | 8 x 35 mm<br>  | x40 | <b>BC15</b> + <b>BC16</b><br> | x4  | <b>C2</b> | 5 x 13 mm<br> | x16  |     |
| <b>E0</b>  | Ø16<br>  | x10 | <b>E1</b>  | 15 x 12 mm<br> | x22       | <b>F1</b>  | 6 x 34 mm<br>   | x22 |
| <b>G1</b>  | 7 x 50 mm<br>  | x6  | <b>H1</b>  | L - 75 mm<br>  | x4        | <b>I3</b>  | 3,5 x 22 mm<br> | x1  |
| <b>I13</b> | 4 x 30 mm<br>  | x8  | <b>K7</b>  | 4 x 22 mm<br>  | x8        | <b>N1</b>  | 3 x 16 mm<br>   | x10 |
| <b>M</b>   |   | x1  | <b>O1</b>  |               | x1        | <b>O6</b>  |                | x4  |
| <b>P0</b>  | <br>Ø5   | x4  | <b>R4</b>  |              | x2        | <b>T13</b>   | <br>L-450 mm   | x2  |
| <b>TZ</b>  | <b>L</b>  <b>R</b>  | x2  | <b>Z</b>   |              | x1        |  |  |     |



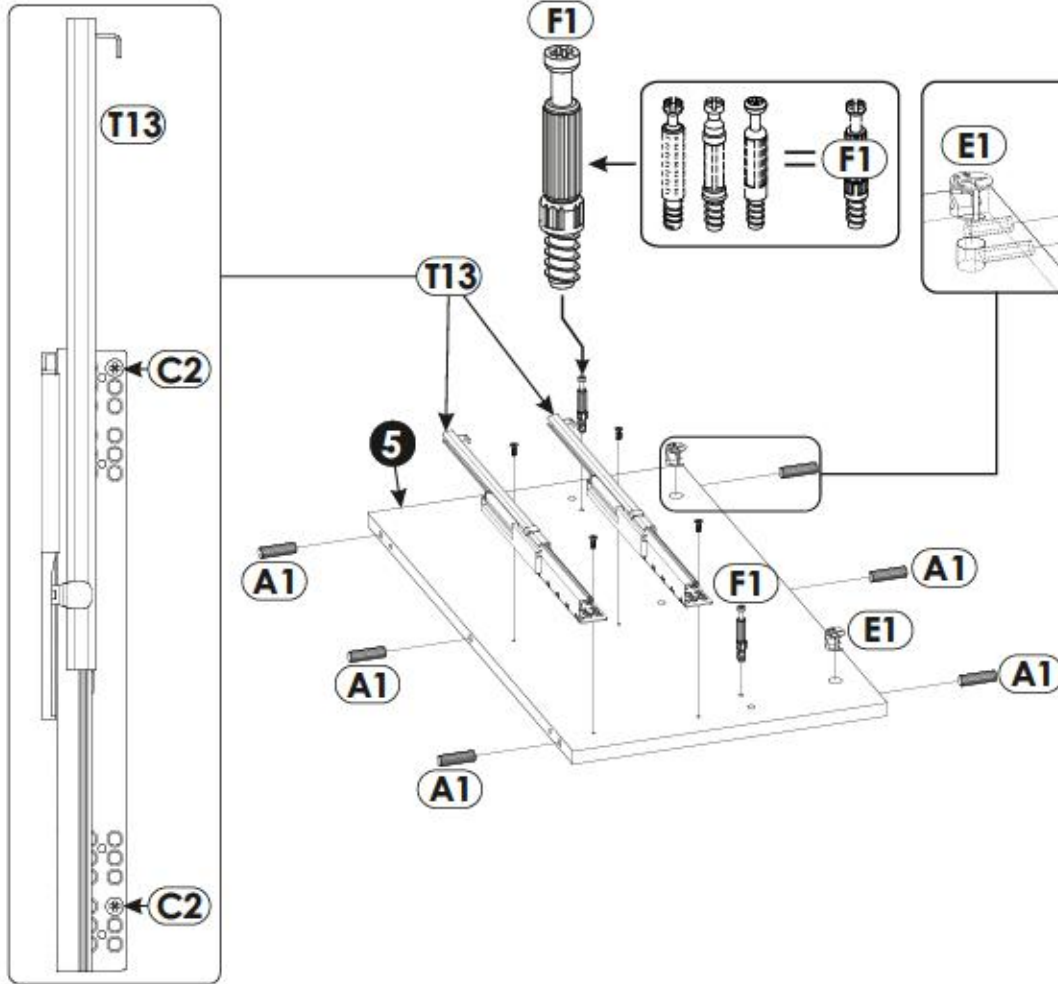
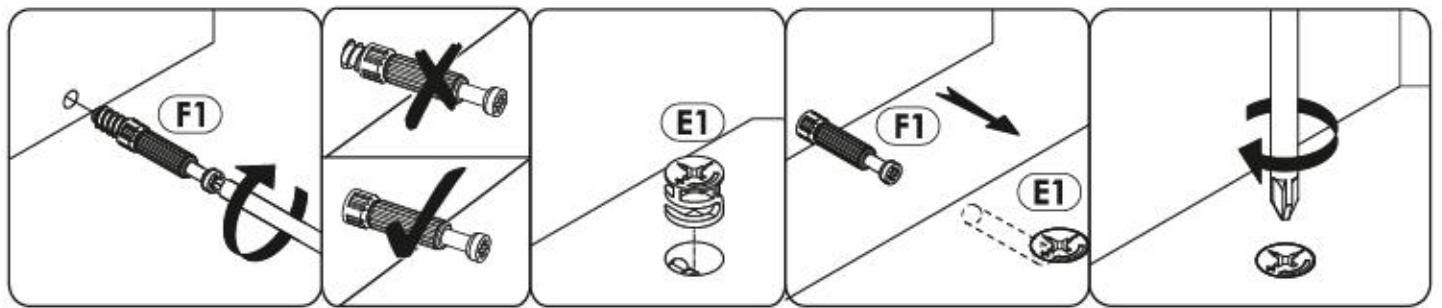


# 3WSEHU61 / 3WSYHU61

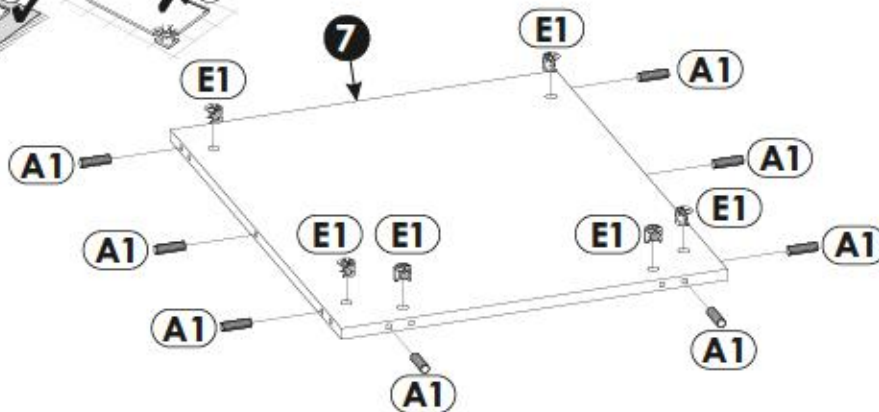


|          |     |     |    |    |     |
|----------|-----|-----|----|----|-----|
| <b>1</b> | 900 | 700 | 16 | x1 | 2/2 |
| <b>2</b> | 866 | 660 | 16 | x1 | 2/2 |
| <b>3</b> | 384 | 698 | 16 | x1 | 1/2 |
| <b>4</b> | 384 | 698 | 16 | x1 | 1/2 |
| <b>5</b> | 368 | 660 | 16 | x1 | 2/2 |
| <b>6</b> | 368 | 308 | 16 | x1 | 2/2 |
| <b>7</b> | 542 | 660 | 16 | x1 | 1/2 |

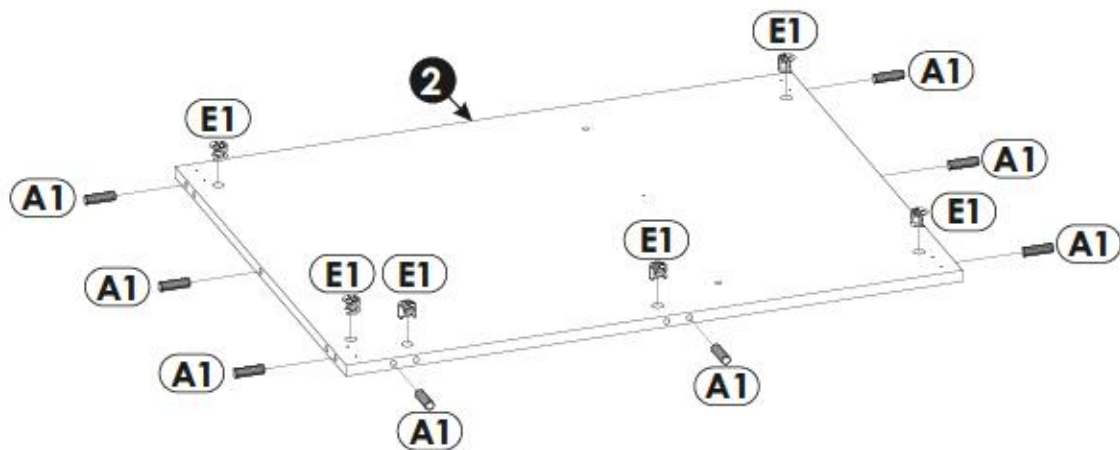
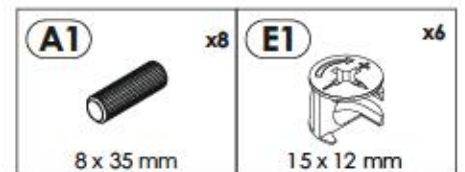
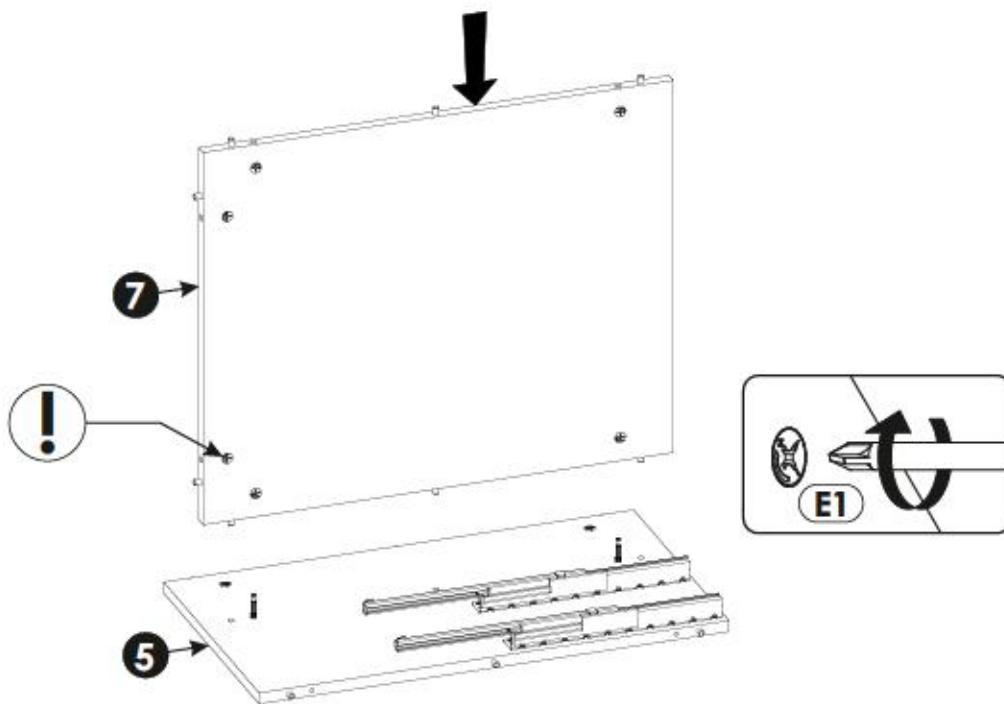
|           |     |     |    |    |     |
|-----------|-----|-----|----|----|-----|
| <b>8</b>  | 549 | 248 | 16 | x1 | 1/2 |
| <b>9</b>  | 379 | 311 | 16 | x2 | 1/2 |
| <b>10</b> | 546 | 120 | 16 | x2 | 1/2 |
| <b>11</b> | 450 | 70  | 16 | x2 | 1/2 |
| <b>12</b> | 450 | 70  | 16 | x2 | 1/2 |
| <b>13</b> | 502 | 56  | 16 | x2 | 1/2 |
| <b>14</b> | 514 | 455 | 3  | x2 | 2/2 |



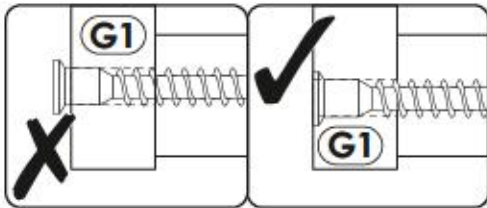
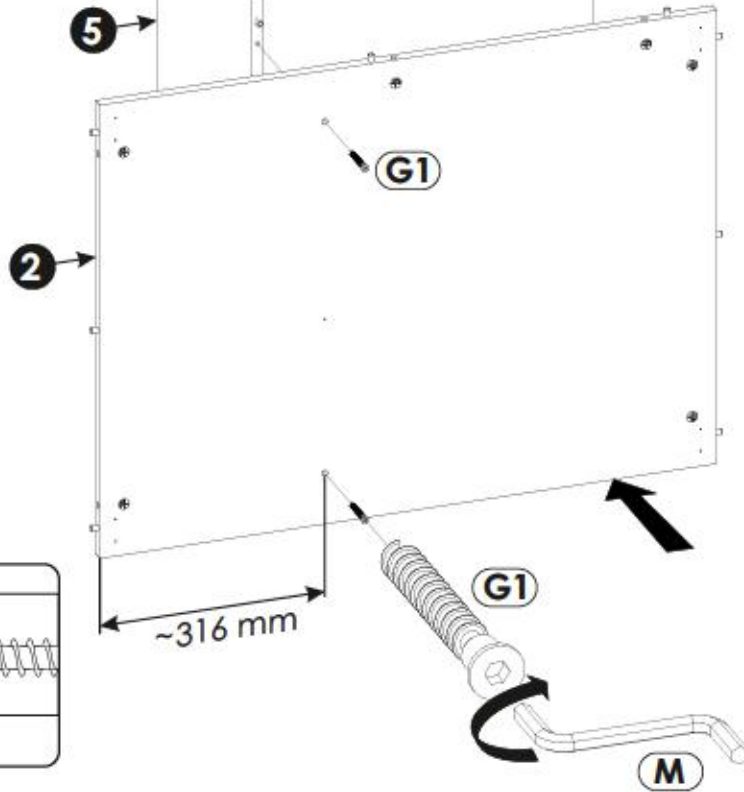
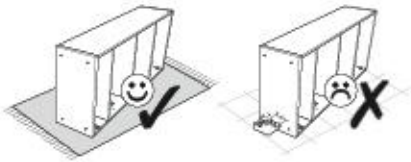
|            |            |
|------------|------------|
| <b>A1</b>  | x6         |
|            | 8 x 35 mm  |
| <b>C2</b>  | x4         |
|            | 5 x 13 mm  |
| <b>E1</b>  | x2         |
|            | 15 x 12 mm |
| <b>F1</b>  | x2         |
|            | 6 x 34 mm  |
| <b>T13</b> | x2         |
|            | L - 450 mm |



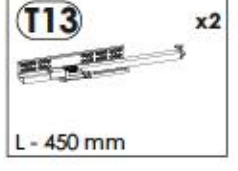
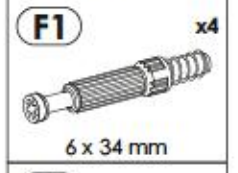
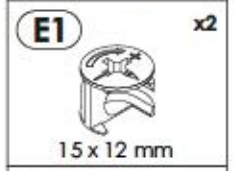
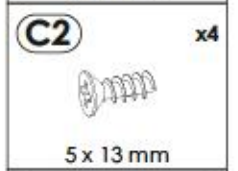
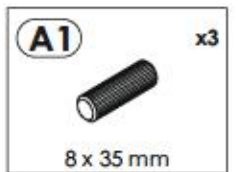
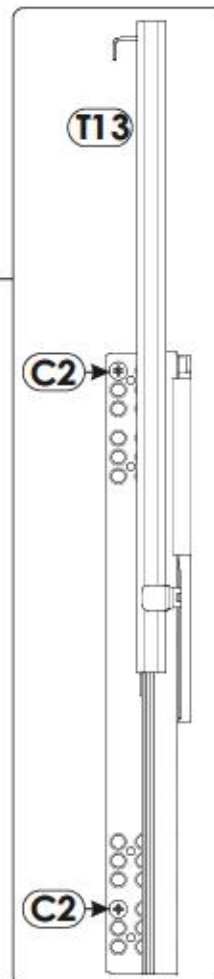
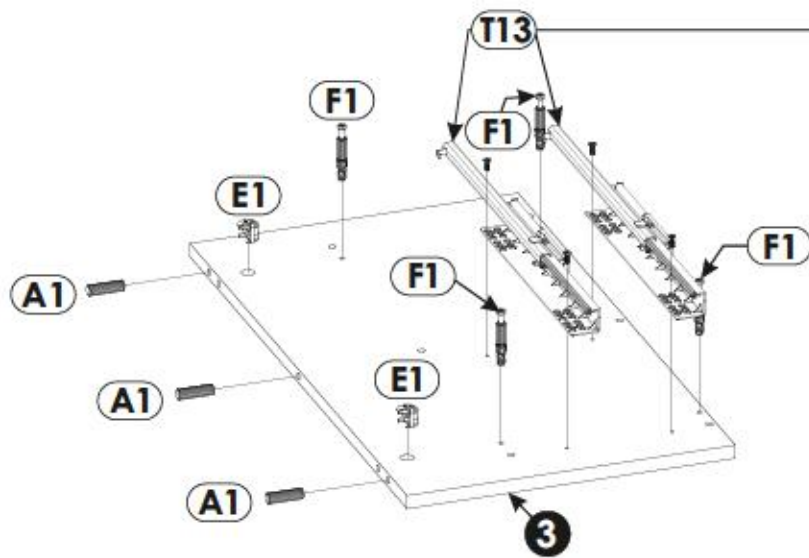
|           |            |
|-----------|------------|
| <b>A1</b> | x8         |
|           | 8 x 35 mm  |
| <b>E1</b> | x6         |
|           | 15 x 12 mm |



5 ▶

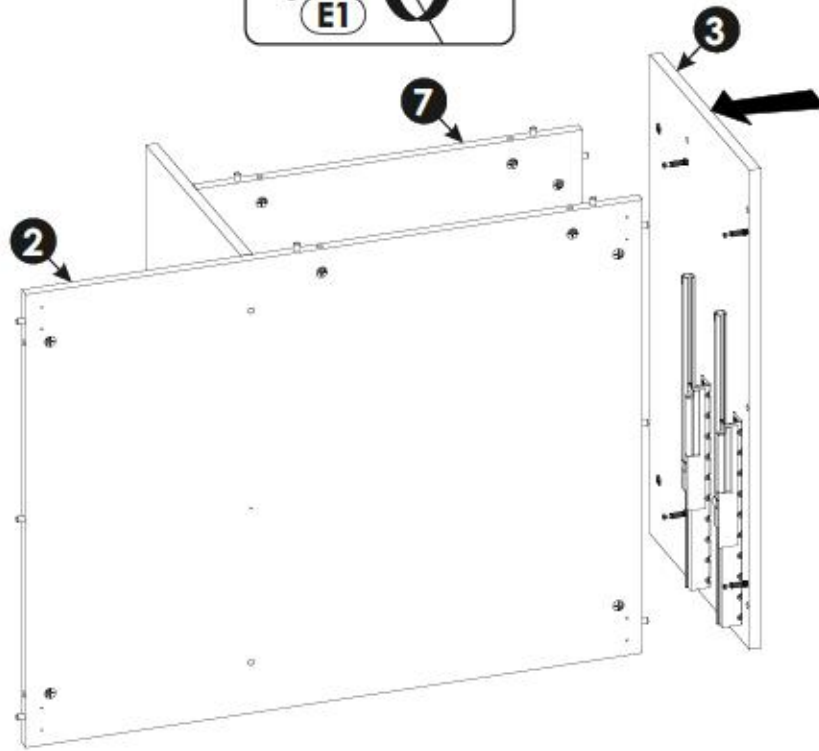
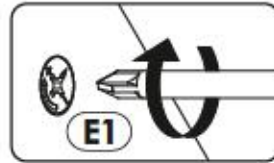
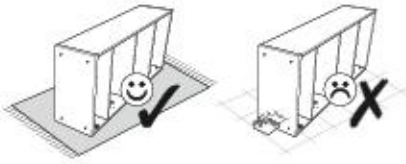


6 ▶

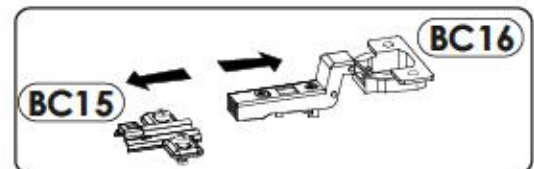
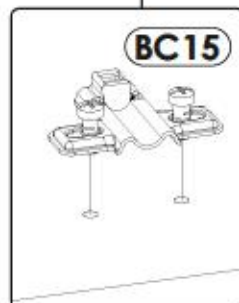
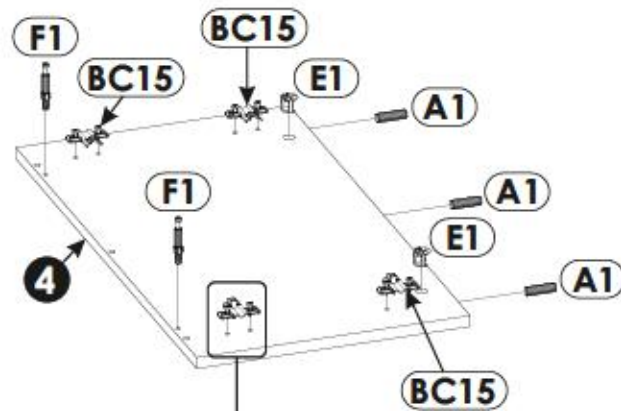





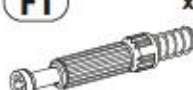


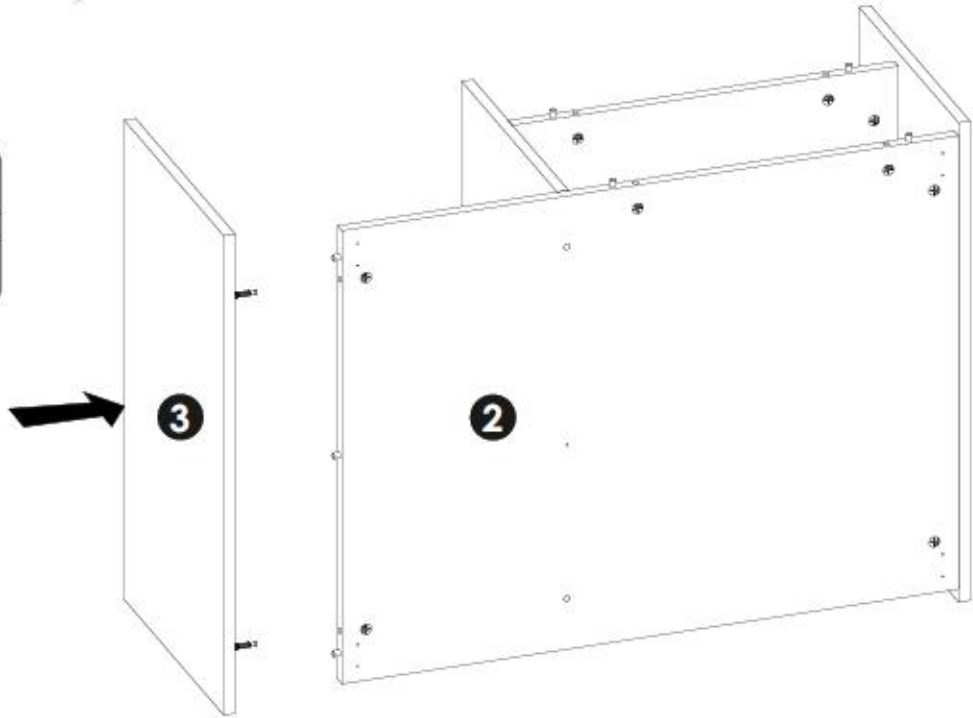
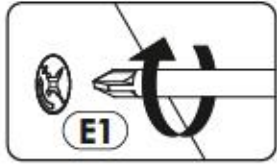
7 ▶



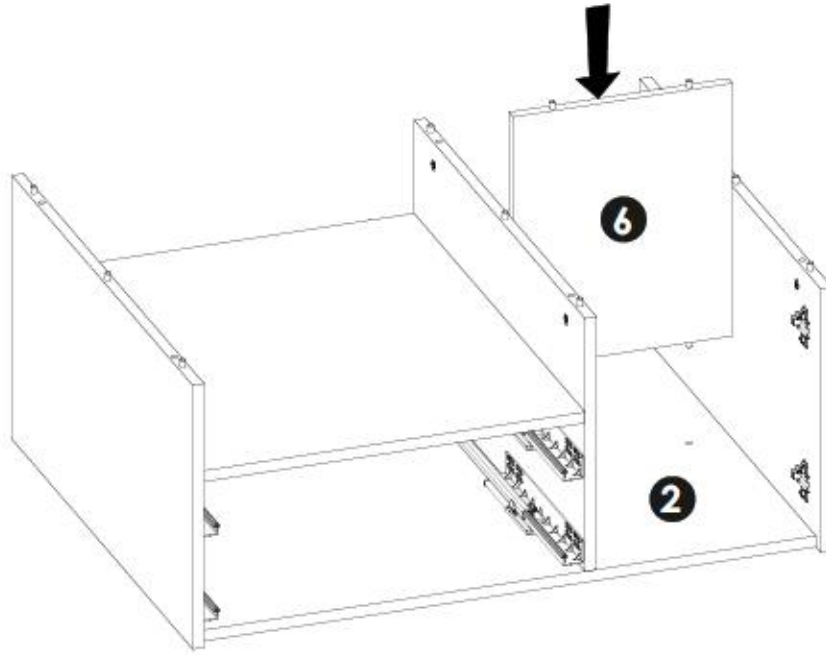
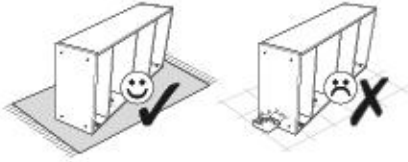
8 ▶



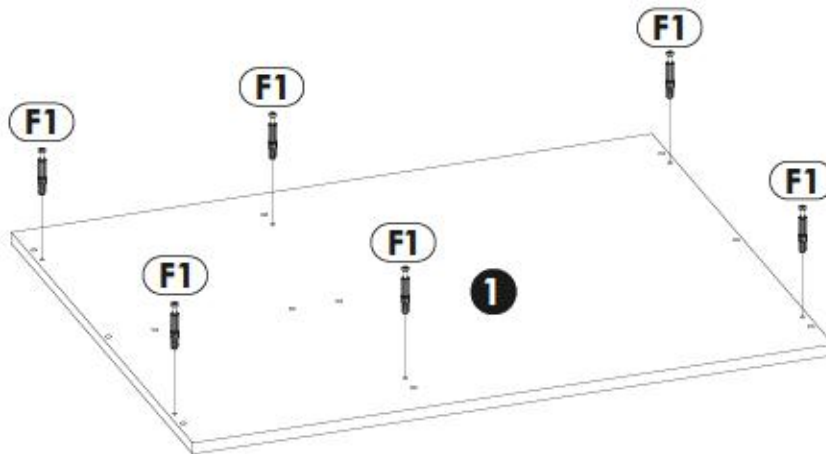
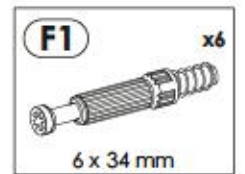
|   |    |
|---|----|
| <b>A1</b>   | x3 |
|  |    |
| 8 x 35 mm   |    |
| <b>BC15</b>   | x4 |
|  |    |
| <b>E1</b>   | x2 |
|  |    |
| 15 x 12 mm  |    |
| <b>F1</b>   | x2 |
|  |    |
| 6 x 34 mm   |    |



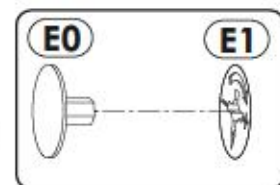
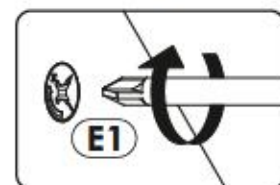
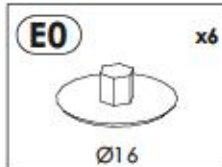
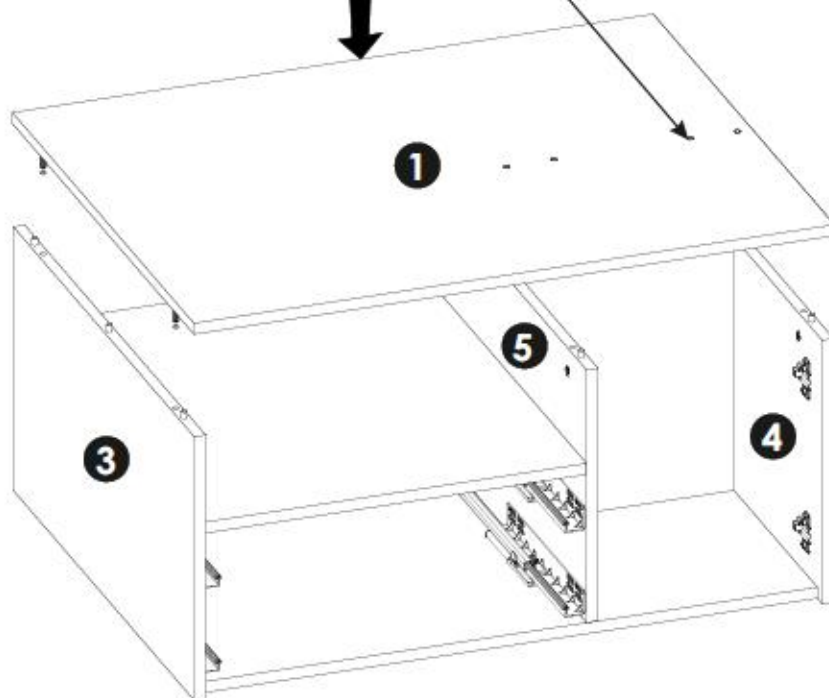
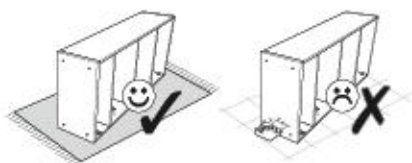
11▶



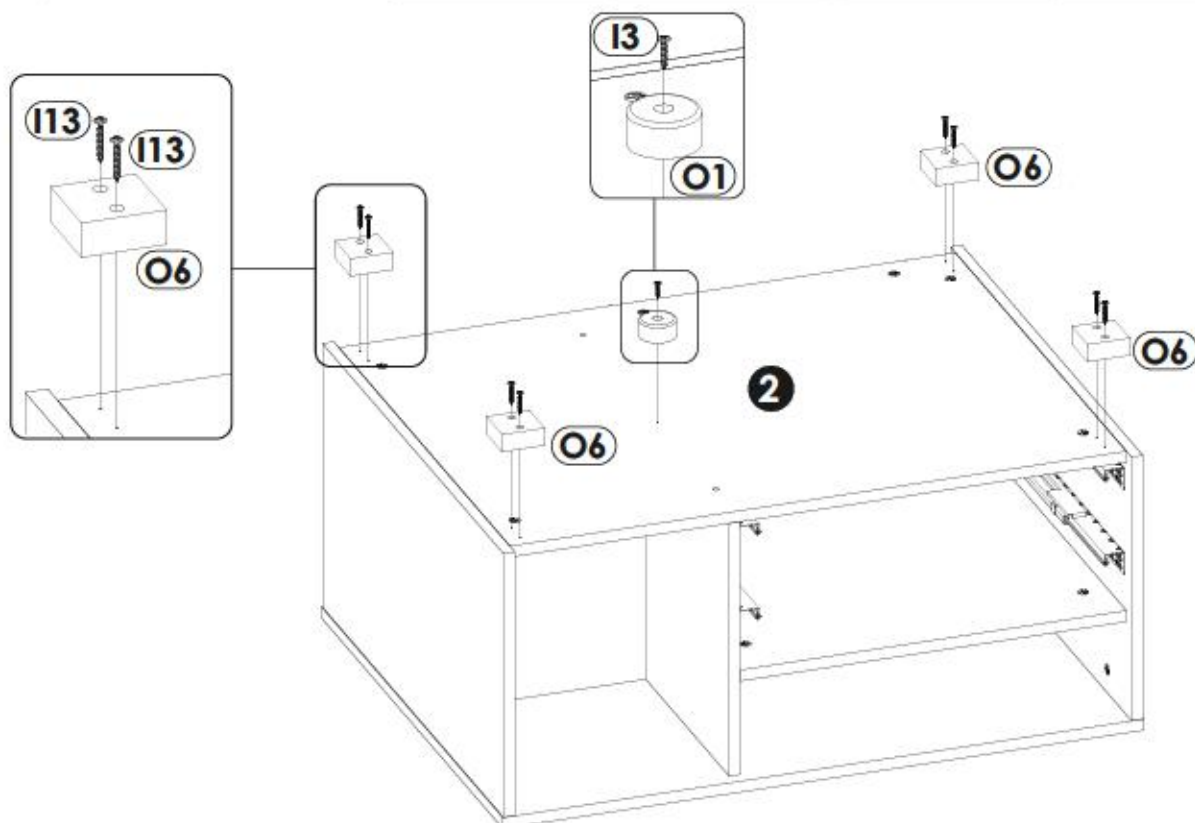
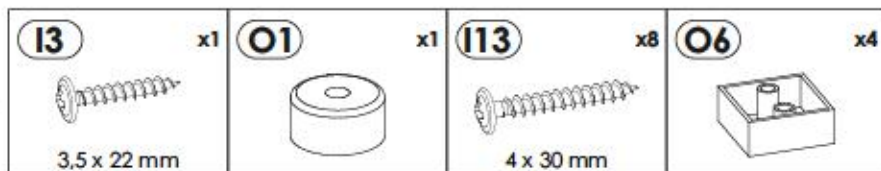
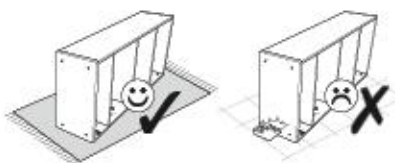
12▶



13 ▶

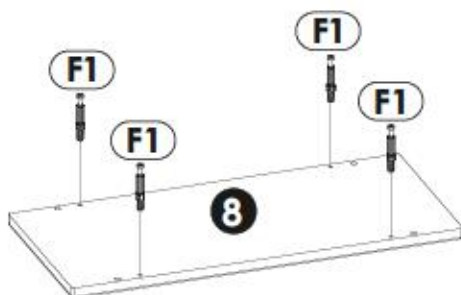
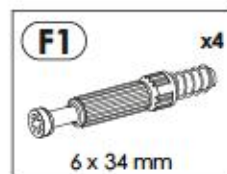


14 ▶

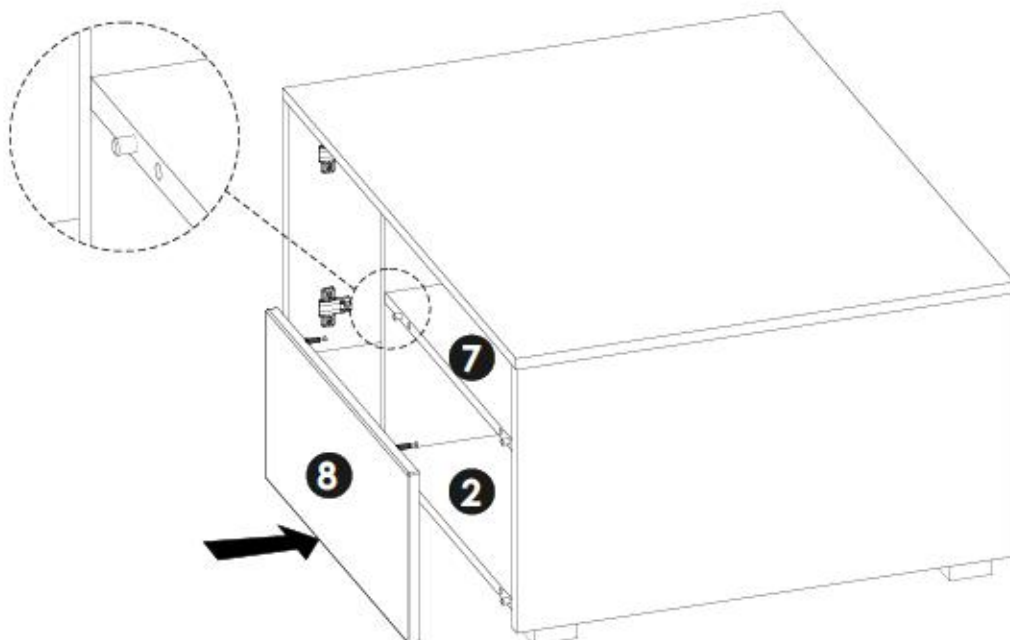
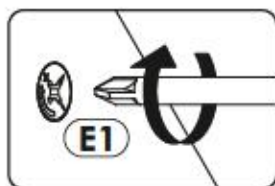




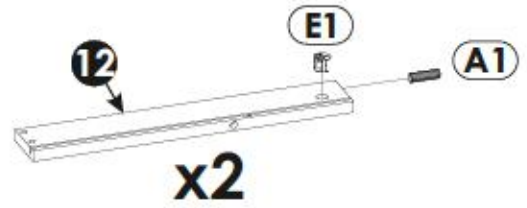
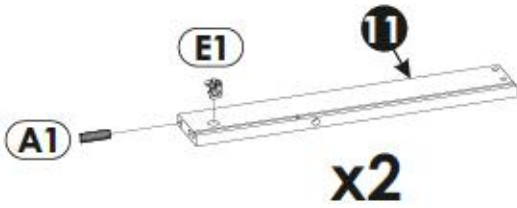
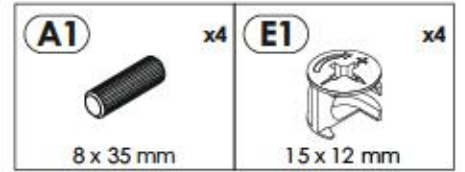
15▶



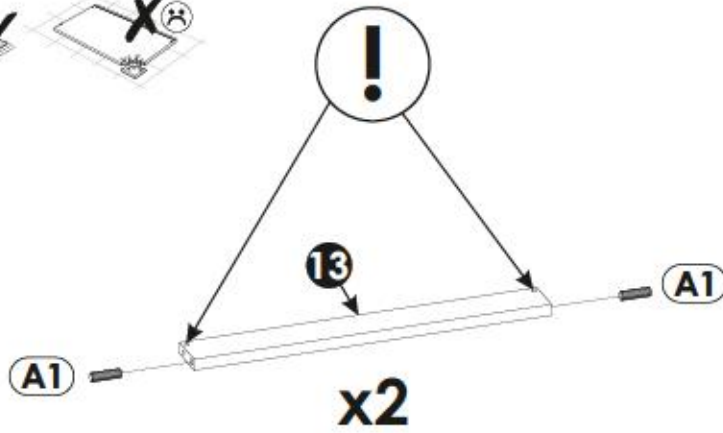
16▶



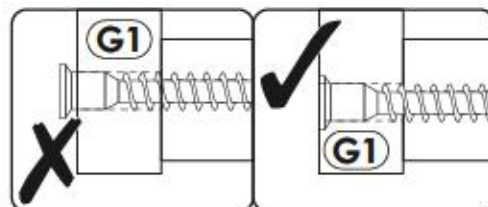
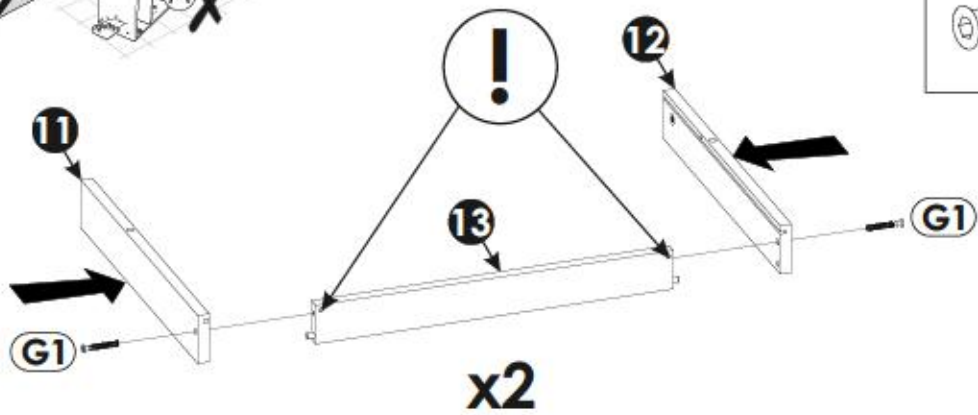
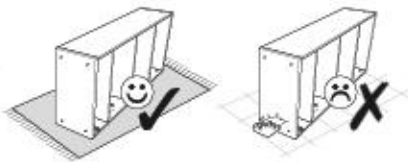
17▶



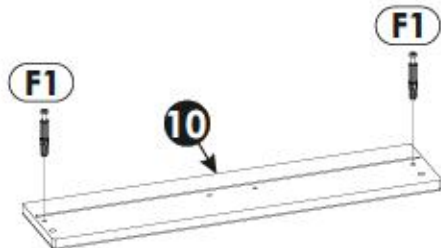
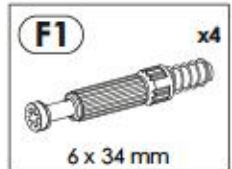
18▶



19▶

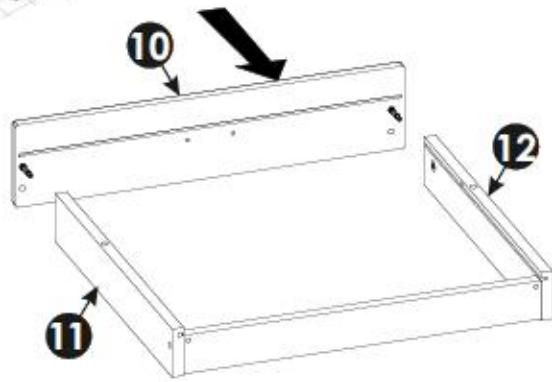
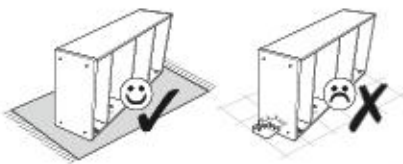


20 ▶

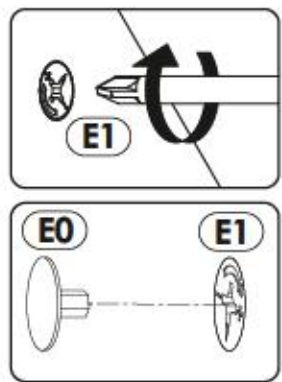


x2

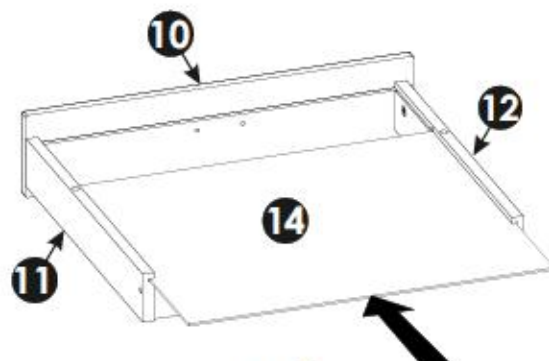
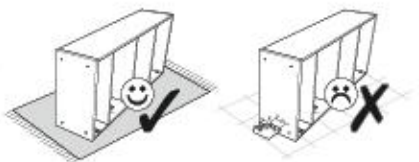
21 ▶



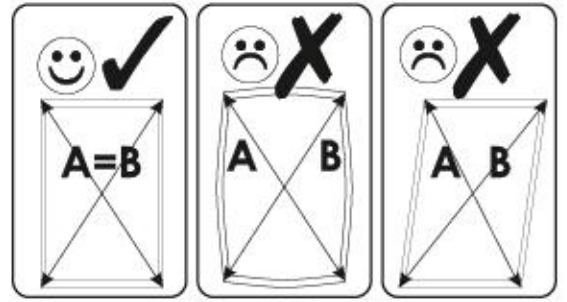
x2



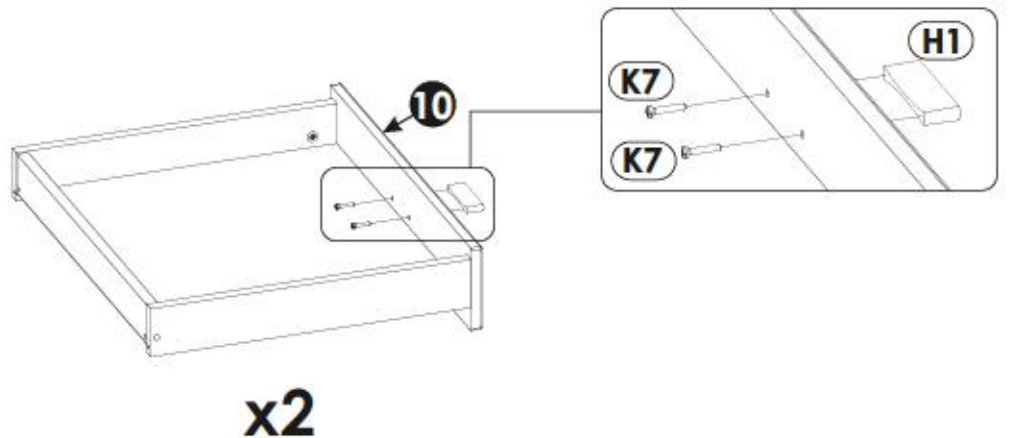
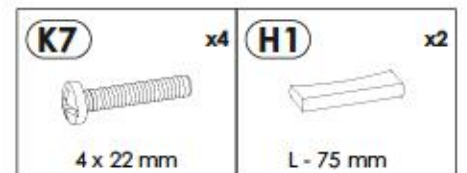
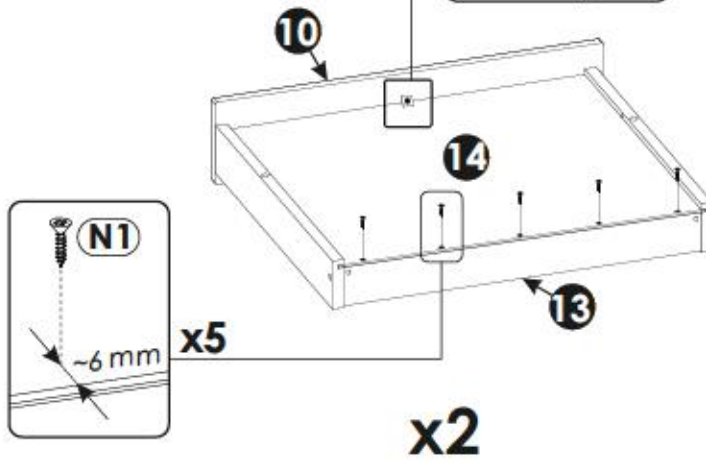
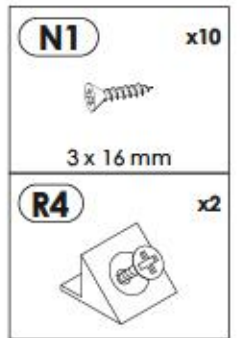
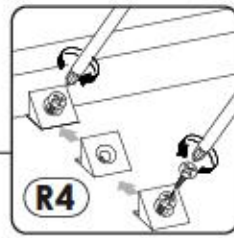
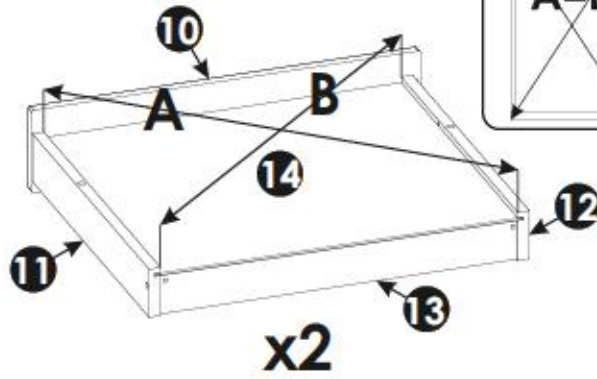
22 ▶



x2

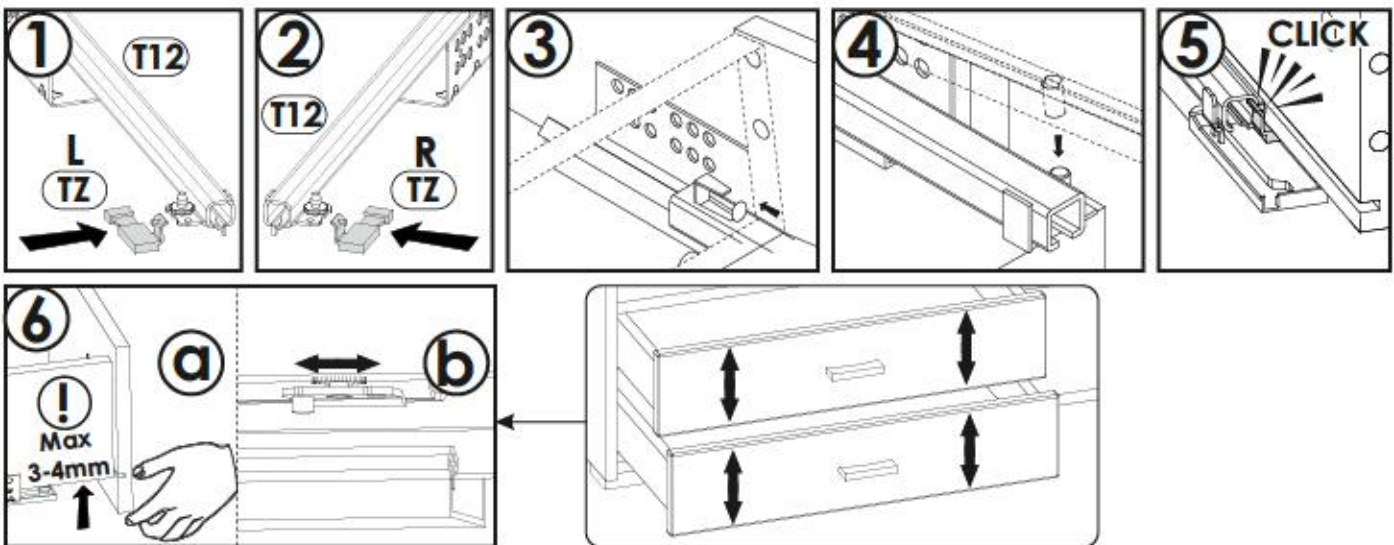
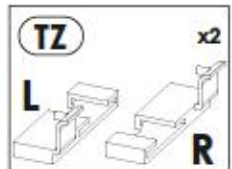
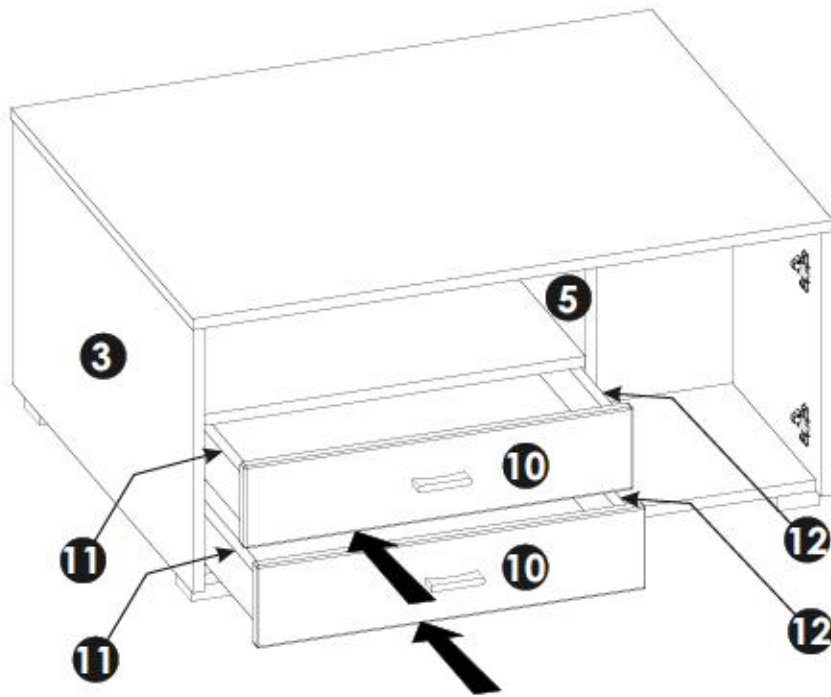


**A=B**

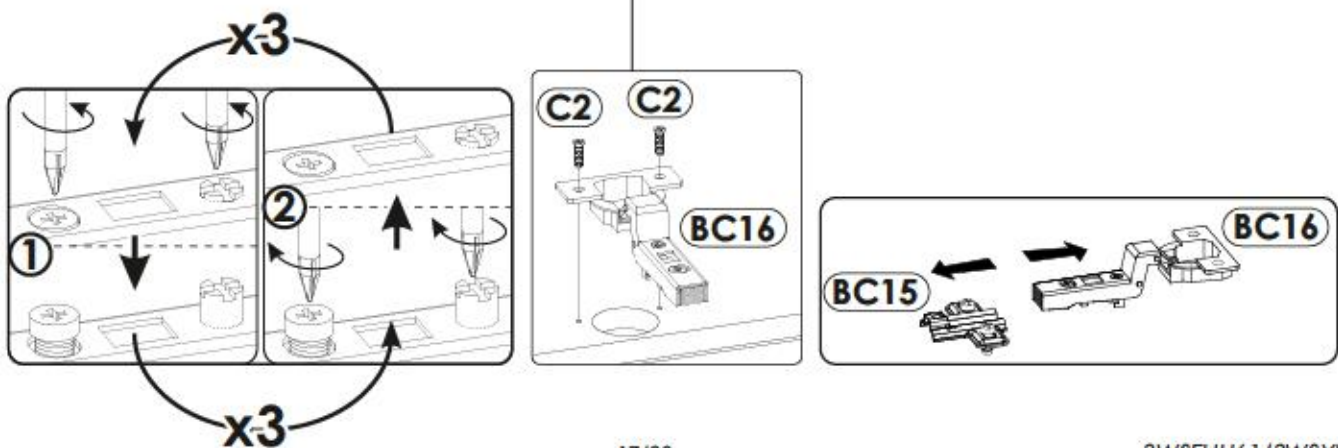
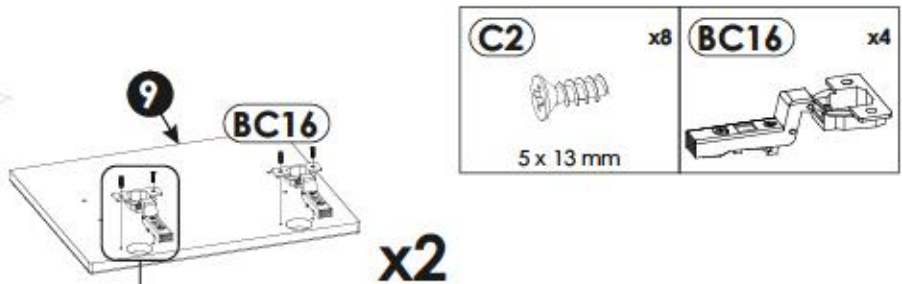




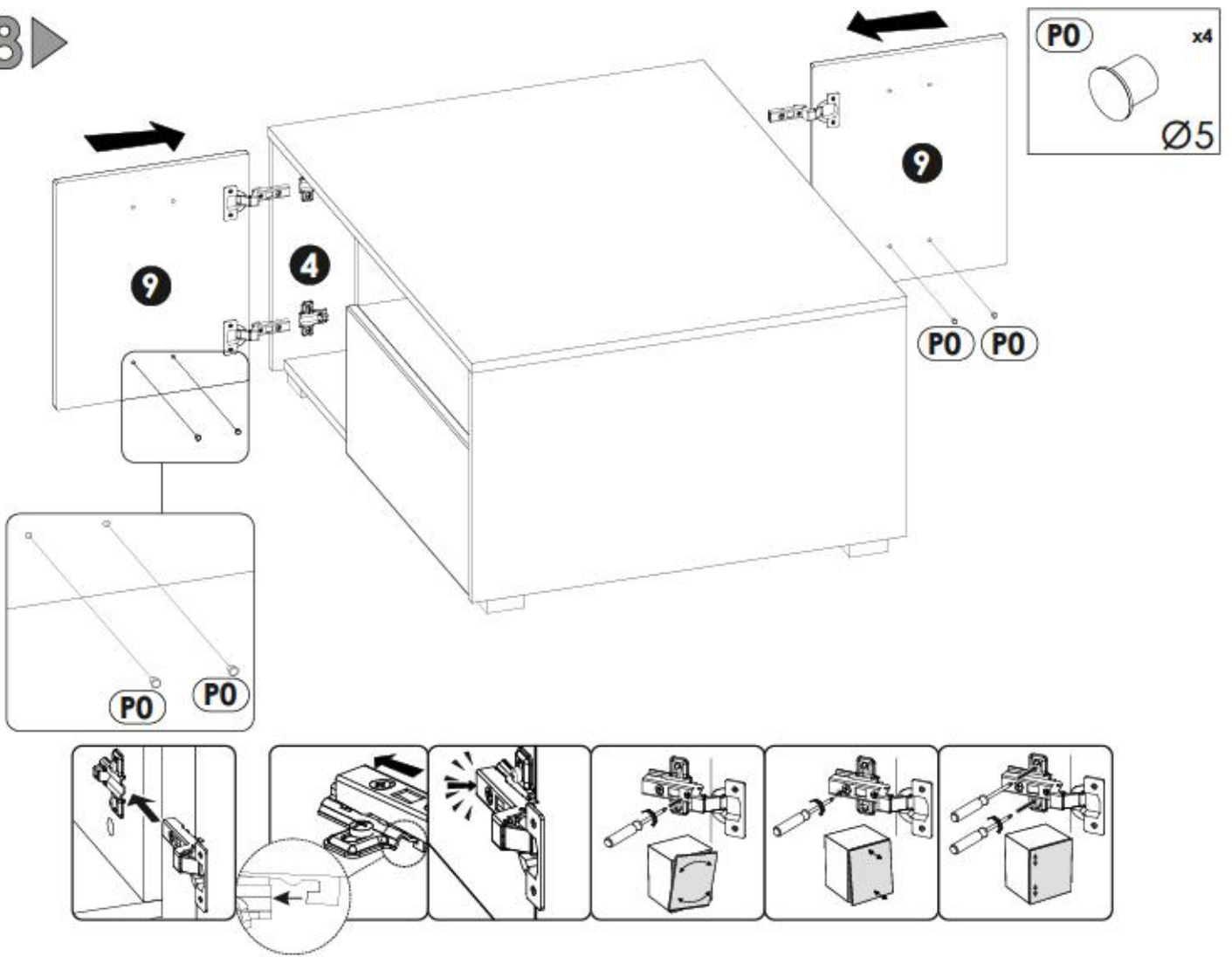
26▶



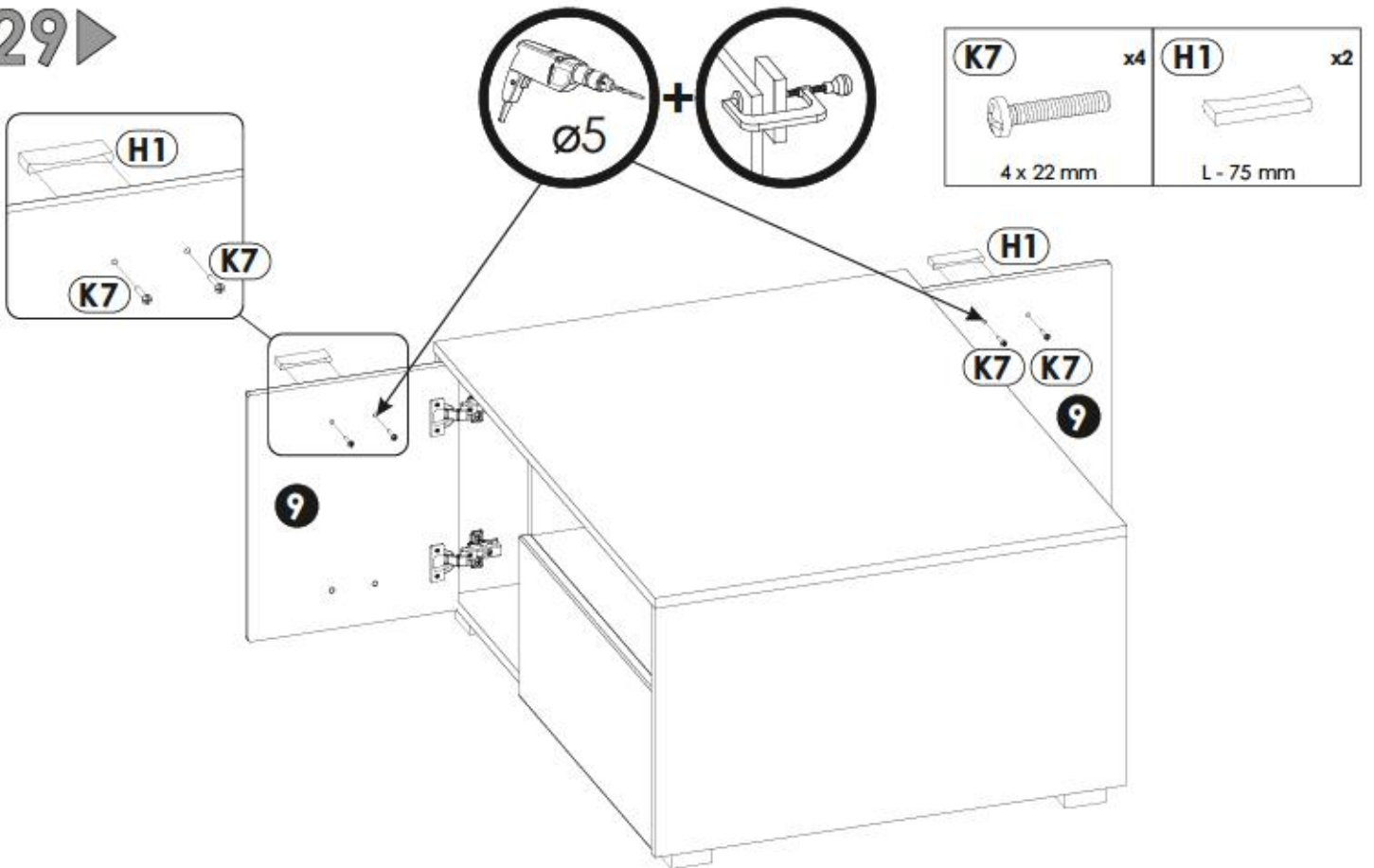
27▶



28 ▶



29 ▶



30▶

