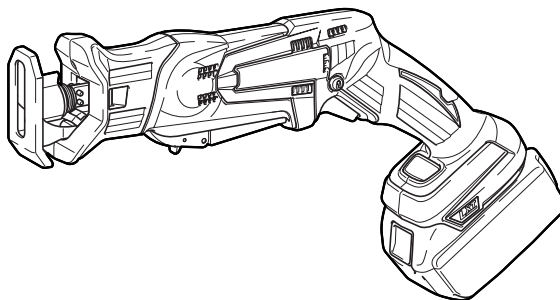




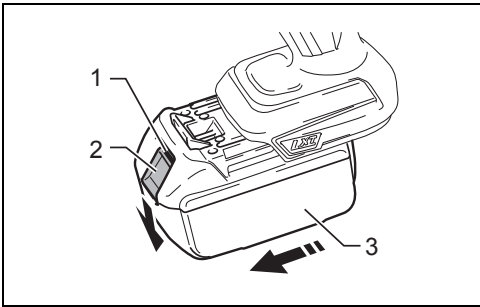
GB	Cordless Recipro Saw	Instruction manual
F	Scie Recipro sans Fil	Manuel d'instructions
D	Akku Reciprosäge	Betriebsanleitung
I	Seghetto alternativo a batteria	Istruzioni per l'uso
NL	Accureciprozaag	Gebruiksaanwijzing
E	Sierra Recíproca Inalámbrica	Manual de instrucciones
P	Serra Sabre a Bateria	Manual de instruções
DK	Ledningsfri bajonetsav	Brugsanvisning
GR	Φορητή σπαθοσέγα	Οδηγίες χρήσης
TR	Akülü Kılıç Testere	Kullanım kılavuzu

DJR143
DJR145
DJR183
DJR185



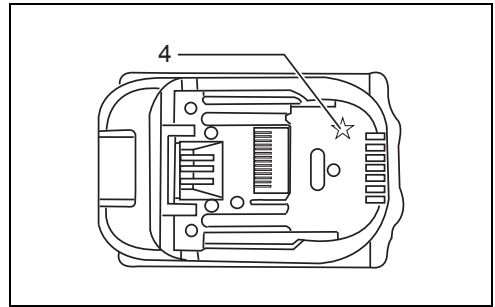
014043





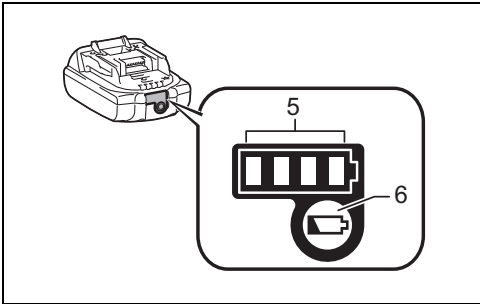
1

014044



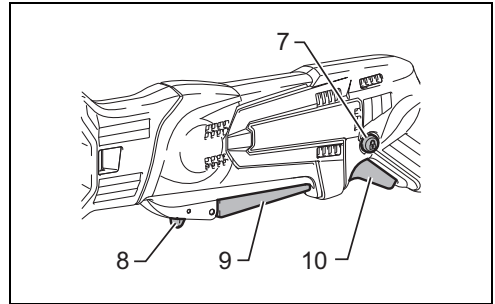
2

012128



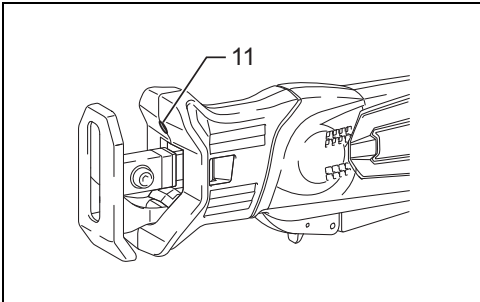
3

015659



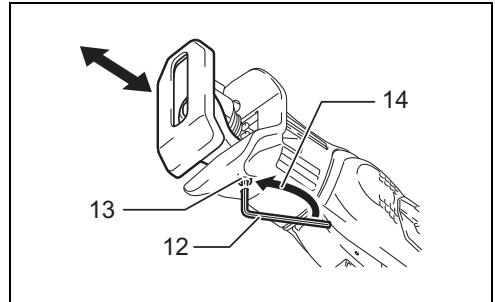
4

014050



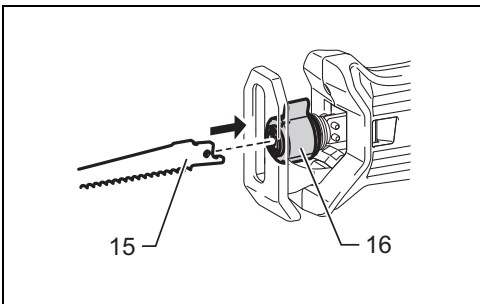
5

014053



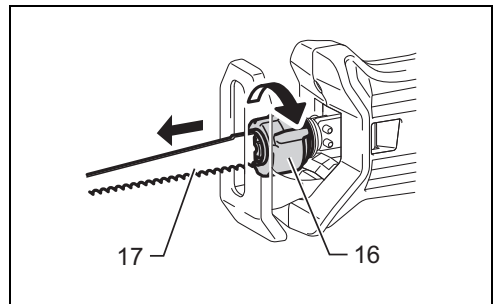
6

014201



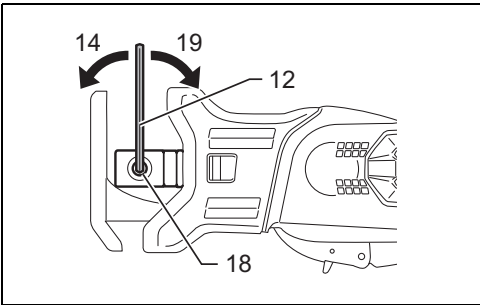
7

014058



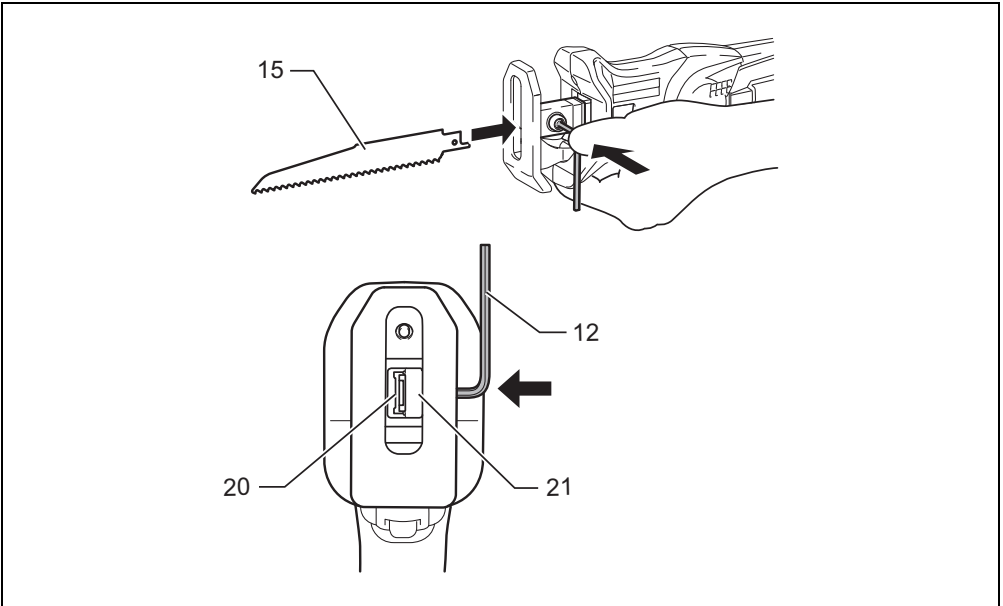
8

014059



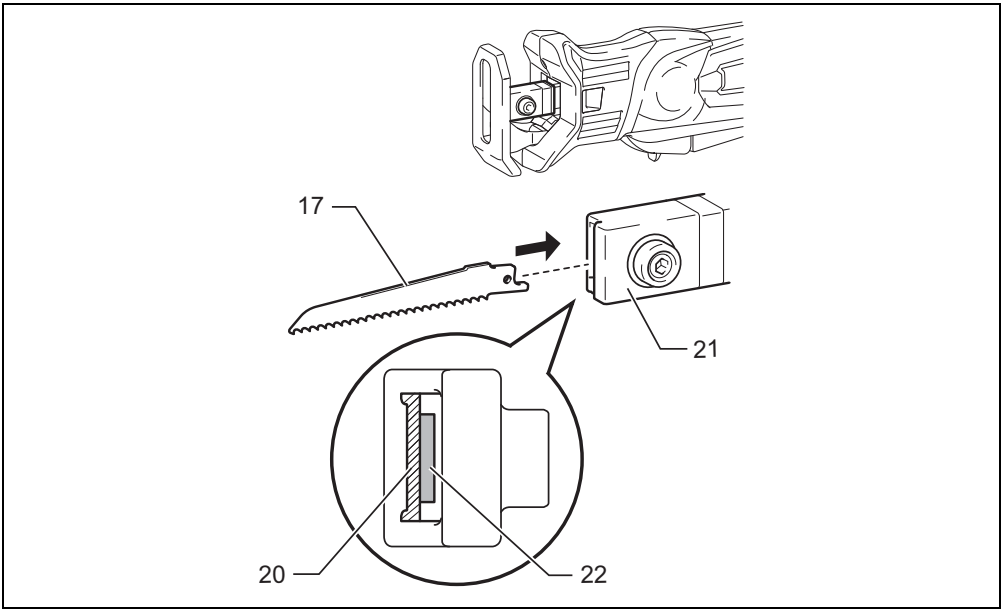
9

014045



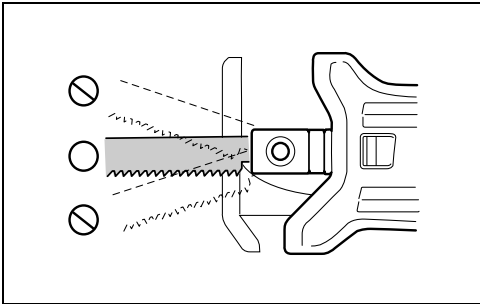
10

014048



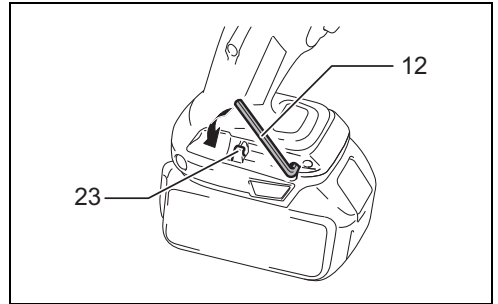
11

014047



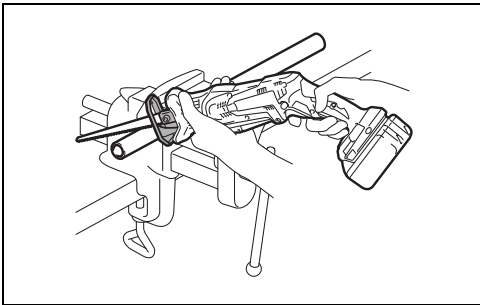
12

014086



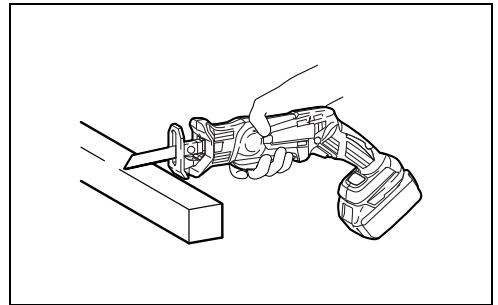
13

014202



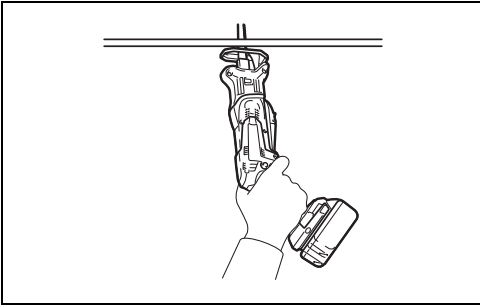
14

014054



15

014056



16

014055

ENGLISH (Original instructions)

Explanation of general view

- | | | |
|----------------------|------------------------|--------------------------------|
| 1. Red indicator | 9. Switch lever | 17. Saw blade |
| 2. Button | 10. Switch trigger | 18. Bolt |
| 3. Battery cartridge | 11. Lamp | 19. Tighten |
| 4. Star marking | 12. Hex wrench | 20. Hole for recipro saw blade |
| 5. Indicator lamps | 13. Hex bolt | 21. Blade clamp |
| 6. Check button | 14. Loosen | 22. Hole for jig saw blade |
| 7. Lock-off button | 15. Recipro saw blade | 23. Protusion |
| 8. Lock-off lever | 16. Blade clamp sleeve | |

SPECIFICATIONS

Model	DJR143	DJR145	DJR183	DJR185
Length of stroke	13 mm			
Strokes per minute (min ⁻¹)	0 - 3,000			
Max. cutting capacities	Pipe	50 mm		
	Wood	50 mm		
Standard battery cartridge	BL1415/BL1415N/BL1430/ BL1430B/BL1440/BL1450/BL1460B		BL1815/BL1815N/BL1820/BL1820B/ BL1830/BL1830B/BL1840/BL1840B/ BL1850/BL1850B/BL1860B	
Overall length	392 mm (with BL1415/BL1415N)		392 mm (with BL1815/BL1815N/ BL1820/BL1820B)	
	397 mm (with BL1430/BL1430B/ BL1440/BL1450/BL1460B)		398 mm (with BL1830/BL1830B/ BL1840/BL1840B/BL1850/ BL1850B/BL1860B)	
Net weight	1.5 kg (with BL1415/BL1415N)		1.5 kg (with BL1815/BL1815N/BL1820/ BL1820B)	
	1.7 kg (with BL1430/BL1430B/ BL1440/BL1450/BL1460B)		1.8 kg (with BL1830/BL1830B/BL1840/ BL1840B/BL1850/BL1850B/BL1860B)	
Rated voltage	D.C. 14.4V		D.C. 18V	

- Due to our continuing program of research and development, the specifications herein are subject to change without notice.
- Specifications and battery cartridge may differ from country to country.
- Weight, with battery cartridge, according to EPTA-Procedure 01/2003

Intended use

The tool is intended for sawing wood, plastic and ferrous materials.

ENE020-1

General Power Tool Safety Warnings

GEA010-1

⚠ WARNING Read all safety warnings and all instructions. Failure to follow the warnings and instructions may result in electric shock, fire and/or serious injury.

Save all warnings and instructions for future reference.

CORDLESS RECIPRO SAW SAFETY WARNINGS

GEB048-2

1. **Hold power tool by insulated gripping surfaces, when performing an operation where the cutting accessory may contact hidden wiring.** Cutting accessory contacting a "live" wire may make exposed
2. **Use clamps or another practical way to secure and support the workpiece to a stable platform.** Holding the work by hand or against your body leaves it unstable and may lead to loss of control.
3. **Always use safety glasses or goggles. Ordinary eye or sun glasses are NOT safety glasses.**
4. **Avoid cutting nails.** Inspect workpiece for any nails and remove them before operation.
5. **Do not cut oversize workpiece.**
6. **Check for the proper clearance beyond the workpiece before cutting so that the blade will not strike the floor, workbench, etc.**
7. **Hold the tool firmly.**
8. **Make sure the blade is not contacting the workpiece before the switch is turned on.**
9. **Keep hands away from moving parts.**
10. **Do not leave the tool running. Operate the tool only when hand-held.**
11. **Always switch off and wait for the blade to come to a complete stop before removing the blade from the workpiece.**

12. Do not touch the blade or the workpiece immediately after operation; they may be extremely hot and could burn your skin.
13. Do not operate the tool at no-load unnecessarily.
14. Always use the correct dust mask/respirator for the material and application you are working with.
15. Some material contains chemicals which may be toxic. Take caution to prevent dust inhalation and skin contact. Follow material supplier safety data.

SAVE THESE INSTRUCTIONS.

WARNING:

DO NOT let comfort or familiarity with product (gained from repeated use) replace strict adherence to safety rules for the subject product. MISUSE or failure to follow the safety rules stated in this instruction manual may cause serious personal injury.

IMPORTANT SAFETY INSTRUCTIONS

ENC007-9

FOR BATTERY CARTRIDGE

1. Before using battery cartridge, read all instructions and cautionary markings on (1) battery charger, (2) battery, and (3) product using battery.
2. Do not disassemble battery cartridge.
3. If operating time has become excessively shorter, stop operating immediately. It may result in a risk of overheating, possible burns and even an explosion.
4. If electrolyte gets into your eyes, rinse them out with clear water and seek medical attention right away. It may result in loss of your eyesight.
5. Do not short the battery cartridge:
 - (1) Do not touch the terminals with any conductive material.
 - (2) Avoid storing battery cartridge in a container with other metal objects such as nails, coins, etc.
 - (3) Do not expose battery cartridge to water or rain.

A battery short can cause a large current flow, overheating, possible burns and even a breakdown.

6. Do not store the tool and battery cartridge in locations where the temperature may reach or exceed 50°C (122°F).
7. Do not incinerate the battery cartridge even if it is severely damaged or is completely worn out. The battery cartridge can explode in a fire.
8. Be careful not to drop or strike battery.
9. Do not use a damaged battery.
10. Follow your local regulations relating to disposal of battery.

SAVE THESE INSTRUCTIONS.

Tips for maintaining maximum battery life

1. Charge the battery cartridge before completely discharged.

- Always stop tool operation and charge the battery cartridge when you notice less tool power.
2. Never recharge a fully charged battery cartridge. Overcharging shortens the battery service life.
3. Charge the battery cartridge with room temperature at 10°C - 40°C (50°F - 104°F). Let a hot battery cartridge cool down before charging it.
4. Charge the battery cartridge if you do not use it for a long period (more than six months).

FUNCTIONAL DESCRIPTION

CAUTION:

- Always be sure that the tool is switched off and the battery cartridge is removed before adjusting or checking function on the tool.

Installing or removing battery cartridge (Fig. 1)

CAUTION:

- Always switch off the tool before installing or removing of the battery cartridge.
- Hold the tool and the battery cartridge firmly when installing or removing battery cartridge. Failure to hold the tool and the battery cartridge firmly may cause them to slip off your hands and result in damage to the tool and battery cartridge and a personal injury.

To remove the battery cartridge, slide it from the tool while sliding the button on the front of the cartridge.

To install the battery cartridge, align the tongue on the battery cartridge with the groove in the housing and slip it into place. Insert it all the way until it locks in place with a little click. If you can see the red indicator on the upper side of the button, it is not locked completely.

CAUTION:

- Always install the battery cartridge fully until the red indicator cannot be seen. If not, it may accidentally fall out of the tool, causing injury to you or someone around you.
- Do not install the battery cartridge forcibly. If the cartridge does not slide in easily, it is not being inserted correctly.

Battery protection system (Lithium-ion battery with star marking) (Fig. 2)

Lithium-ion batteries with a star marking are equipped with a protection system. This system automatically cuts off power to the tool to extend battery life.

The tool will automatically stop during operation if the tool and/or battery are placed under one of the following conditions:

- Overloaded:

The tool is operated in a manner that causes it to draw an abnormally high current.

In this situation, release the switch lever/trigger on the tool and stop the application that caused the tool to become overloaded. Then pull the switch lever/trigger again to restart.

If the tool does not start, the battery is overheated. In this situation, let the battery cool before pulling the switch lever/trigger again.

- Low battery voltage:
The remaining battery capacity is too low and the tool will not operate. In this situation, remove and recharge the battery.

Indicating the remaining battery capacity

(Only for battery cartridges with “B” at the end of the model number.) (Fig. 3)

Press the check button on the battery cartridge to indicate the remaining battery capacity. The indicator lamps light up for few seconds.

Indicator lamps			Remaining capacity
Lighted	Off	Blinking	
■	□	▧	75% to 100%
■	■	■	
■	■	■	
■	■	□	
■	□	□	
■	□	□	
▧	□	□	Charge the battery.
■	■	□	The battery may have malfunctioned.
□	□	■	

015658

NOTE:

- Depending on the conditions of use and the ambient temperature, the indication may differ slightly from the actual capacity.

Switch action

⚠ CAUTION:

- Before installing the battery cartridge into the tool, always check to see that the switch lever/trigger actuates properly and returns to the “OFF” position when released. (Fig. 4)

To prevent the switch lever/trigger from accidentally pulled, the lock-off lever/button are provided.

To start the tool, pull either switch lever or trigger.

- For the switch lever, pull the lock-off lever and then pull the switch lever to start the tool.
- For the switch trigger, depress the lock-off button and then pull the switch trigger to start to the tool. The lock-off button can be pressed from either right or left.

The tool speed is increased by increasing pressure on the switch lever/trigger. Release the switch lever/trigger to stop.

NOTICE:

Do not pull the switch lever/trigger hard without pulling the lock-off lever/button. This can cause switch breakage.

Lighting up the front lamp (Fig. 5)

⚠ CAUTION:

- Do not look in the light or see the source of light directly.

Pull the switch lever/trigger to light up the lamp. The lamp keeps on lighting while the switch lever/trigger is being pulled.

The lamp automatically turns off 10-15 seconds after releasing the switch lever/trigger.

Adjusting the shoe (Fig. 6)

When the blade loses its cutting efficiency in one place along its cutting edge, reposition the shoe to utilize a sharp, unused portion of its cutting edge. This will help to lengthen the life of the blade.

To reposition the shoe, loosen the bolt with hex wrench. Slide the shoe to the desired position and then tighten the bolt firmly.

ASSEMBLY

⚠ CAUTION:

- Always be sure that the tool is switched off and the battery cartridge is removed before carrying out any work on the tool.

Installing or removing the saw blade

⚠ CAUTION:

- Always clean out all chips or foreign matter adhering to the blade, blade clamp and/or slider. Failure to do so may cause insufficient tightening of the blade, resulting in a serious injury.

For Model DJR143, DJR183 (Fig. 7)

Insert the reciprocating saw blade into the blade clamp as far as it will go. The blade clamp sleeve rotates and fixes the saw blade. Make sure that the saw blade cannot be extracted even though you try to pull it out.

⚠ CAUTION:

- If you do not insert the saw blade deep enough, the saw blade may be ejected unexpectedly during operation. This can be extremely dangerous.

NOTE:

- You can not use the jig saw blade with DJR143 or DJR183. (Fig. 8)

To remove the saw blade, rotate the blade clamp sleeve in the direction of the arrow fully. The saw blade is removed and the blade clamp sleeve is fixed at the released position.

NOTE:

- If you remove the saw blade without rotating the blade clamp sleeve fully, the sleeve may not be fixed. In this case, rotate the blade clamp sleeve fully, then make the sleeve fixed at the released position.

For Model DJR145, DJR185 (Fig. 9 & 10)

To install the saw blade, loosen the bolt by hex wrench. When installing a reciprocating saw blade, press the bolt with the hex wrench to open the slot during inserting the blade. (Fig. 11 & 12)

You can use both jig saw blades (B type) and reciprocating saw blades according to your work. Insert the saw blade

straight into the blade clamp and tighten it by hex wrench. Pull the saw blade lightly to make sure that the saw blade does not fall off during operation. To remove the saw blade, follow the installation procedure in reverse.

Hex wrench storage (Fig. 13)

When not in use, store the hex wrench as shown in the figure to keep it from being lost.

OPERATION

⚠ CAUTION:

- Always press the shoe firmly against the workpiece during operation. If the shoe is held away from the workpiece during operation, strong vibration and/or twisting will be produced, causing the blade to snap dangerously.
- Always wear gloves to protect your hands from hot flying chips when cutting metal.
- Be sure to always wear suitable eye protection which conforms with current national standards.
- Always use a suitable coolant (cutting oil) when cutting metal. Failure to do so will cause premature blade wear. (Fig. 14)

Press the shoe firmly against the workpiece. Do not allow the tool to bounce. Bring the saw blade into light contact with the workpiece. First, make a pilot groove using a slower speed. Then use a faster speed to continue cutting. (Fig. 15 & 16)

- You can use the switch lever or trigger according to your work.

NOTE:

- If the tool is operated continuously until the battery cartridge has discharged, allow the tool to rest for 15 minutes before proceeding with a fresh battery.

MAINTENANCE

⚠ CAUTION:

- Always be sure that the tool is switched off and the battery cartridge is removed before attempting to perform inspection or maintenance.
 - Never use gasoline, benzine, thinner, alcohol or the like. Discoloration, deformation or cracks may result.
- To maintain product SAFETY and RELIABILITY, repairs, any other maintenance or adjustment should be performed by Makita Authorized Service Centers, always using Makita replacement parts.

OPTIONAL ACCESSORIES

⚠ CAUTION:

- These accessories or attachments are recommended for use with your Makita tool specified in this manual. The use of any other accessories or attachments might present a risk of injury to persons. Only use accessory or attachment for its stated purpose.

If you need any assistance for more details regarding these accessories, ask your local Makita Service Center.

- Recipro saw blades
- Jig saw blades (only for Model DJR145, DJR185)
- Makita genuine battery and charger

NOTE:

- Some items in the list may be included in the tool package as standard accessories. They may differ from country to country.

Noise

ENG905-1

The typical A-weighted noise level determined according to EN60745:

Model DJR143, DJR185

Sound pressure level (L_{pA}): 76 dB (A)

Uncertainty (K): 3 dB (A)

The noise level under working may exceed 80 dB (A).

Model DJR145, DJR183

Sound pressure level (L_{pA}): 77 dB (A)

Uncertainty (K): 3 dB (A)

The noise level under working may exceed 80 dB (A).

Wear ear protection.

Vibration

ENG900-1

The vibration total value (tri-axial vector sum) determined according to EN60745:

Model DJR143, DJR145

Work mode: cutting boards

Vibration emission ($a_{h, B}$): 7.0 m/s²

Uncertainty (K): 1.5 m/s²

Work mode: cutting wooden beams

Vibration emission ($a_{h, WB}$): 7.0 m/s²

Uncertainty (K): 1.5 m/s²

Model DJR183, DJR185

Work mode: cutting boards

Vibration emission ($a_{h, B}$): 8.0 m/s²

Uncertainty (K): 1.5 m/s²

Work mode: cutting wooden beams

Vibration emission ($a_{h, WB}$): 7.0 m/s²

Uncertainty (K): 1.5 m/s²

ENG901-1

- The declared vibration emission value has been measured in accordance with the standard test method and may be used for comparing one tool with another.
- The declared vibration emission value may also be used in a preliminary assessment of exposure.

⚠ WARNING:

- The vibration emission during actual use of the power tool can differ from the declared emission value depending on the ways in which the tool is used.
- Be sure to identify safety measures to protect the operator that are based on an estimation of exposure in the actual conditions of use (taking account of all parts of the operating cycle such as the times when the tool is switched off and when it is running idle in addition to the trigger time).

For European countries only EC Declaration of Conformity

ENH101-17

Makita declares that the following Machine(s):

Designation of Machine:

Cordless Recipro Saw

Model No./Type: DJR143, DJR145, DJR183, DJR185

Conforms to the following European Directives:

2006/42/EC

They are manufactured in accordance with the following
Standard or standardized documents:

EN60745

The Technical file in accordance with 2006/42/EC is
available from:

Makita, Jan-Baptist Vinkstraat 2, 3070, Belgium

31. 12. 2013

A handwritten signature in black ink, reading 'Yasushi Fukaya' in a cursive style.

Yasushi Fukaya
Director

Makita, Jan-Baptist Vinkstraat 2, 3070, Belgium

Descriptif

1. Voyant rouge	9. Levier du commutateur	17. Lame
2. Bouton	10. Gâchette	18. Boulon
3. Batterie	11. Lampe	19. Serrer
4. Étoile	12. Clé hexagonale	20. Orifice pour la lame de scie récipro
5. Voyants	13. Boulon hexagonal	21. Collet de serrage de la lame
6. Bouton de vérification	14. Desserrer	22. Orifice pour la lame de scie sauteuse
7. Bouton de sécurité	15. Lame de scie récipro	23. Protubérance
8. Levier de verrouillage	16. Collet de serrage de la lame	

SPÉCIFICATIONS

Modèle		DJR143	DJR145	DJR183	DJR185
Longueur de course		13 mm			
Passes par minute (min ⁻¹)		0 - 3 000			
Capacités de coupe max.	Tuyau	50 mm			
	Bois	50 mm			
Batterie standard		BL1415/BL1415N/BL1430/ BL1430B/BL1440/BL1450/BL1460B		BL1815/BL1815N/BL1820/BL1820B/ BL1830/BL1830B/BL1840/BL1840B/ BL1850/BL1850B/BL1860B	
Longueur totale	392 mm (avec la batterie BL1415/BL1415N)		392 mm (avec la batterie BL1815/ BL1815N/BL1820/BL1820B)		
	397 mm (avec la batterie BL1430/ BL1430B/BL1440/BL1450/BL1460B)		398 mm (avec la batterie BL1830/ BL1830B/BL1840/BL1840B/BL1850/ BL1850B/BL1860B)		
Poids net	1,5 kg (avec la batterie BL1415/BL1415N)		1,5 kg (avec la batterie BL1815/ BL1815N/BL1820/BL1820B)		
	1,7 kg (avec la batterie BL1430/ BL1430B/BL1440/BL1450/BL1460B)		1,8 kg (avec la batterie BL1830/ BL1830B/BL1840/BL1840B/BL1850/ BL1850B/BL1860B)		
Tension nominale		14,4 V C.C.		18 V C.C.	

- Étant donné l'évolution constante de notre programme de recherche et de développement, les spécifications contenues dans ce manuel sont sujettes à des modifications sans préavis.
- Les spécifications et la batterie peuvent varier d'un pays à l'autre.
- Poids, batterie incluse, selon la procédure EPTA 01/2003

Utilisations

ENE020-1

L'outil est conçu pour le sciage du bois, du plastique et des matériaux ferreux.

Consignes de sécurité générales des outils électriques

GEA010-1

⚠ AVERTISSEMENT Veuillez lire toutes les consignes de sécurité et les instructions. Il y a un risque de choc électrique, d'incendie et/ou de blessure grave si les consignes et les instructions ne sont pas toutes respectées.

Conservez toutes les consignes et instructions pour référence ultérieure.

AVERTISSEMENTS DE SÉCURITÉ CONCERNANT LA SCIE RÉCIPRO SANS FIL

GEB048-2

1. **Tenez l'outil électrique par ses surfaces de poigne isolées lorsque vous effectuez une opération au cours de laquelle l'accessoire tranchant peut entrer en contact avec des fils cachés.** Il est possible que le contact avec un fil sous tension mette les parties métalliques exposées de l'outil sous tension, risquant ainsi de provoquer un choc électrique chez l'utilisateur.
2. **Utilisez des dispositifs de serrage ou un autre moyen pratique pour immobiliser et soutenir la pièce sur une surface stable.** La pièce sera instable et vous risquerez d'en perdre la maîtrise si vous la tenez avec une main ou l'appuyez simplement contre une partie du corps.
3. **Portez toujours des lunettes de sécurité ou des lunettes à coques. Les lunettes ordinaires et les lunettes de soleil ne sont PAS des lunettes de sécurité.**

4. Prenez garde aux clous pendant la coupe. Avant de commencer à scier, vérifiez la pièce pour en retirer tous les clous.
 5. Ne coupez pas des pièces trop grandes.
 6. Avant de commencer la coupe, assurez-vous qu'il y a suffisamment d'espace sous la pièce pour que la lame ne heurte pas le plancher, l'établi, etc.
 7. Tenez l'outil fermement.
 8. Assurez-vous que la lame ne touche pas la pièce à scier avant de mettre le contact.
 9. Gardez les mains éloignées des pièces en mouvement.
 10. N'abandonnez pas l'outil alors qu'il tourne. Ne faites fonctionner l'outil qu'une fois que vous l'avez bien en main.
 11. Avant de retirer la lame de la pièce, coupez toujours le contact et attendez l'arrêt complet de la lame.
 12. Ne touchez ni la lame ni la pièce immédiatement après la coupe ; elles risquent d'être extrêmement chaudes et de vous brûler la peau.
 13. Ne faites pas fonctionner inutilement l'outil à vide.
 14. Utilisez toujours un masque antipoussières ou un masque filtrant approprié au matériau à travailler et à l'outil utilisé.
 15. Certains matériaux contiennent des produits chimiques qui peuvent être toxiques. Prenez les précautions nécessaires pour ne pas inhaler les poussières qu'ils dégagent et pour éviter tout contact avec la peau. Conformez-vous aux consignes de sécurité du fabricant du matériau.
- (1) Ne touchez les bornes avec aucun matériau conducteur.
 - (2) Évitez de ranger la batterie dans un contenant où se trouvent d'autres objets métalliques tels que des clous, pièces de monnaie, etc.
 - (3) N'exposez pas la batterie à l'eau ou à la pluie. Un court-circuit de la batterie risque de provoquer un fort courant, une surchauffe, parfois des brûlures et même une panne.
6. Ne rangez pas l'outil ou la batterie dans des endroits où la température risque d'atteindre ou de dépasser 50 °C (122 °F).
 7. Ne jetez pas la batterie au feu même si elle est sérieusement endommagée ou complètement épuisée. La batterie peut exploser au contact du feu.
 8. Veillez à ne pas laisser tomber ou heurter la batterie.
 9. N'utilisez pas de batterie endommagée.
 10. Respectez les réglementations locales relatives à la mise au rebut des batteries.

CONSERVEZ CES INSTRUCTIONS.

Conseils pour assurer la durée de vie optimale de la batterie

1. Rechargez la batterie avant qu'elle ne soit complètement épuisée.
Arrêtez toujours l'outil et rechargez la batterie quand vous constatez que la puissance de l'outil diminue.
2. Ne rechargez jamais une batterie complètement chargée.
La surcharge réduit la durée de service de la batterie.
3. Chargez la batterie alors que la température de la pièce se trouve entre 10 °C et 40 °C (50 °F et 104 °F). Si une batterie est chaude, laissez-la refroidir avant de la charger.
4. Chargez la batterie si vous ne l'avez pas utilisée pendant une longue période (plus de six mois).

DESCRIPTION DU FONCTIONNEMENT

⚠ ATTENTION :

- Veillez toujours à ce que l'outil soit éteint et la batterie déposée avant d'effectuer des réglages ou de vérifier le fonctionnement de l'outil.

Installation ou retrait de la batterie (Fig. 1)

⚠ ATTENTION :

- Éteignez toujours l'outil avant d'installer ou de retirer la batterie.
 - Tenez fermement l'outil et la batterie lors de l'installation ou du retrait de la batterie. Si vous ne tenez pas fermement l'outil et la batterie, ils risquent de glisser et de s'abîmer ou de vous blesser.
- Pour retirer la batterie, faites glisser le bouton à l'avant de la batterie et sortez la batterie.

CONSERVEZ CES INSTRUCTIONS.

⚠ AVERTISSEMENT :

NE vous laissez PAS tromper (au fil d'une utilisation répétée) par un sentiment d'aisance et de familiarité avec le produit, en négligeant le respect rigoureux des consignes de sécurité qui accompagnent l'outil. Une UTILISATION INCORRECTE de l'outil ou un non-respect des consignes de sécurité indiquées dans ce manuel d'instructions peuvent causer des blessures graves.

CONSIGNES DE SÉCURITÉ IMPORTANTES

ENC007-9

POUR LA BATTERIE

1. Avant d'utiliser la batterie, veuillez lire toutes les instructions et tous les avertissements inscrits sur (1) le chargeur, (2) la batterie et (3) l'appareil alimenté par la batterie.
2. Ne démontez pas la batterie.
3. Cessez immédiatement d'utiliser l'outil si le temps de fonctionnement devient excessivement court. Il y a risque de surchauffe, de brûlures, voire d'explosion.
4. Si l'électrolyte pénètre dans vos yeux, rincez-les à l'eau claire et consultez immédiatement un médecin. Il y a risque de perte de la vue.
5. Évitez de court-circuiter la batterie :

Pour installer la batterie, alignez sa languette sur la rainure qui se trouve à l'intérieur du carter, puis glissez la batterie pour la mettre en place. Insérez-la bien à fond, jusqu'à ce qu'elle se verrouille en émettant un léger clic. Si vous pouvez voir le voyant rouge sur la face supérieure du bouton, la batterie n'est pas parfaitement verrouillée.

⚠ ATTENTION :

- Installez toujours la batterie à fond jusqu'à ce que le voyant rouge ne soit plus visible. Sinon, elle risque de tomber accidentellement de l'outil, en vous blessant ou en blessant une personne située près de vous.
- Ne forcez pas pour installer la batterie. Si la batterie ne glisse pas aisément, c'est qu'elle n'est pas insérée correctement.

Système de protection de la batterie (batterie au lithium-ion comportant une étoile) (Fig. 2)

Les batteries au lithium-ion comportant une étoile sont équipées d'un système de protection. Ce système coupe automatiquement l'alimentation en électricité vers l'outil afin de prolonger sa durée de vie.

L'outil s'arrête automatiquement pendant le fonctionnement lorsqu'il et/ou la batterie se trouvent dans l'une des situations suivantes :

• Surchargé :

L'outil fonctionne de manière à créer un courant anormalement élevé.

Dans ce cas, relâchez le levier du commutateur/la gâchette de l'outil et arrêtez l'application qui cause la surcharge de l'outil. Ensuite, appuyez à nouveau sur le levier du commutateur/la gâchette pour redémarrer l'outil.

Si l'outil ne démarre pas, la batterie est en surchauffe. Dans ce cas, laissez la batterie refroidir avant d'appuyer à nouveau sur le levier du commutateur/la gâchette.

• Basse tension :

L'autonomie restante est trop basse et l'outil ne fonctionnera pas. Dans ce cas, retirez la batterie et rechargez-la.

Indication de l'autonomie restante de la batterie

(uniquement pour les batteries dont le numéro de modèle se termine par la lettre « B ».) (Fig. 3)

Appuyez sur le bouton de vérification pour indiquer l'autonomie restante de la batterie. Les voyants s'allument alors pendant quelques secondes.

Voyants			Autonomie restante
Allumé	Éteint	Clignotant	
■	□	◐	75 % à 100 %
■	■	■	50 % à 75 %
■	■	□	25 % à 50 %
■	□	□	0 % à 25 %
◐	□	□	Recharger la batterie.
■	■	□	Il est possible que la batterie ait mal fonctionné.
□	□	■	

015658

REMARQUE :

- Selon les conditions d'utilisation et la température ambiante, les indications peuvent différer légèrement de l'autonomie réelle restante.

Interrupteurs

⚠ ATTENTION :

- Avant d'installer la batterie dans l'outil, vérifiez toujours que le levier du commutateur/la gâchette fonctionne bien et revient en position d'arrêt une fois libéré(e). (Fig. 4)

Pour éviter tout déclenchement accidentel du levier du commutateur/de la gâchette, l'outil est muni d'un levier de verrouillage/bouton de sécurité.

Pour mettre l'outil en marche, appuyez sur le levier du commutateur ou sur la gâchette.

- Pour le levier du commutateur, appuyez sur le levier de verrouillage, puis sur le levier du commutateur pour démarrer l'outil.
- Pour la gâchette, appuyez sur le bouton de sécurité, puis sur la gâchette pour démarrer l'outil. Vous pouvez appuyer sur les côtés gauche et droit du bouton de sécurité.

La vitesse de l'appareil augmente à mesure que vous augmentez la pression sur le levier du commutateur/la gâchette. Pour arrêter l'outil, relâchez le levier du commutateur/la gâchette.

NOTE :

Ne forcez pas en appuyant sur le levier du commutateur/la gâchette sans avoir d'abord appuyé sur le levier de verrouillage/bouton de sécurité. Vous risqueriez de casser le commutateur.

Allumage de la lampe avant (Fig. 5)

⚠ ATTENTION :

- Ne regardez pas directement la lumière ou la source lumineuse.

Appuyez sur le levier du commutateur/la gâchette pour allumer la lampe. La lampe reste allumée tant que la

pression sur le levier du commutateur/la gâchette est maintenue.
La lampe s'éteint automatiquement 10 à 15 secondes après la libération du levier de commande/de la gâchette.

Réglage du sabot (Fig. 6)

Lorsque la lame devient moins coupante en un point de sa face de coupe, changez l'emplacement du sabot pour utiliser une partie non usée et bien affûtée de la face de coupe. Cela vous permettra d'allonger la durée d'usage de votre lame.

Pour changer le sabot de place, desserrez le boulon avec la clé hexagonale.

Faites glisser le sabot dans la position souhaitée, puis serrez le boulon à fond.

MONTAGE

⚠ ATTENTION :

- Assurez-vous toujours que l'outil est hors tension et que la batterie est retirée avant d'effectuer toute intervention sur l'outil.

Installation ou retrait de la lame

⚠ ATTENTION :

- Nettoyez toujours la lame, le collet de serrage de la lame et/ou le coulisseau afin d'en retirer les copeaux ou corps étrangers qui y adhèrent. La négligence de ce nettoyage peut causer un serrage insuffisant de la lame, entraînant des blessures graves.

Pour le modèle DJR143, DJR183 (Fig. 7)

Insérez la lame de scie récipro à fond dans le collet de serrage de la lame. Le manchon du collet de serrage tourne et immobilise la lame. Tirez sur la lame pour vous assurer qu'il n'est pas possible de la retirer.

⚠ ATTENTION :

- Si vous n'insérez pas la lame à fond, elle risque d'être éjectée de manière inattendue pendant l'utilisation. Cela peut être extrêmement dangereux.

REMARQUE :

- Vous ne pouvez pas utiliser la lame de scie sauteuse avec le modèle DJR143 ou DJR183. (Fig. 8)

Pour retirer la lame, tournez complètement le manchon du collet de serrage de la lame dans le sens de la flèche. La lame se retire et le manchon du collet de serrage de la lame s'immobilise en position ouverte.

REMARQUE :

- Si vous retirez la lame sans tourner complètement le manchon du collet de serrage de la lame, le manchon risque de ne pas être immobilisé. Dans ce cas, tournez complètement le manchon du collet de serrage de la lame, puis immobilisez le manchon en position ouverte.

Pour le modèle DJR145, DJR185 (Fig. 9 et 10)

Pour installer la lame de scie, desserrez le boulon à l'aide d'une clé hexagonale.

Lors de l'installation d'une lame de scie récipro, appuyez sur le boulon avec la clé hexagonale pour ouvrir la fente lors de l'insertion de la lame. (Fig. 11 et 12)

Vous pouvez utiliser les lames de scie sauteuse (type B) et les lames de scie récipro en fonction du travail à effectuer. Insérez la lame directement dans le collet de

serrage de la lame et serrez-la avec la clé hexagonale. Appuyez légèrement sur la lame de scie pour vous assurer qu'elle ne tombe pas pendant son utilisation. Pour retirer la lame de scie, suivez la procédure d'installation en sens inverse.

Rangement de la clé hexagonale (Fig. 13)

Lorsque vous n'utilisez pas la clé hexagonale, rangez-la comme illustré sur la figure pour éviter de la perdre.

FONCTIONNEMENT

⚠ ATTENTION :

- Appliquez toujours fermement le sabot contre la pièce à travailler pendant l'utilisation. Si le sabot s'éloigne de la pièce pendant la coupe, cela causera de fortes vibrations et/ou torsions, faisant claquer la lame dangereusement.
- Portez toujours des gants pour protéger vos mains des projections de copeaux chauds pendant la coupe du métal.
- Assurez-vous de toujours porter un dispositif de protection des yeux adéquat, conforme aux normes nationales en vigueur.
- Utilisez toujours un fluide de refroidissement (huile de coupe) adéquat lors de la coupe du métal. Le non respect de cette instruction causera l'usure prématurée de la lame. (Fig. 14)

Appliquez le sabot fermement contre la pièce. Ne laissez pas l'outil rebondir. Amenez légèrement la lame de scie en contact avec la pièce. Pratiquez d'abord un sillon pilote en faisant fonctionner l'outil à vitesse réduite. Augmentez ensuite la vitesse pour poursuivre la coupe. (Fig. 15 et 16)

- Vous pouvez utiliser le levier du commutateur ou la gâchette en fonction du travail à effectuer.

REMARQUE :

- Si l'outil a fonctionné de façon continue jusqu'à ce que la batterie soit épuisée, laissez-le reposer pendant 15 minutes avant de poursuivre avec une batterie chargée.

ENTRETIEN

⚠ ATTENTION :

- Assurez-vous toujours que l'outil est hors tension et que la batterie est retirée avant d'y effectuer tout travail d'inspection ou d'entretien.
- N'utilisez jamais d'essence, de benzine, de diluant, d'alcool ou de produit similaire. Ces produits risquent de provoquer des décolorations, des déformations ou des fissures.

Pour garantir la SÉCURITÉ et la FIABILITÉ du produit, les réparations ainsi que tout autre travail d'entretien ou de réglage doivent être effectués dans un centre d'entretien Makita agréé, exclusivement avec des pièces de rechange Makita.

ACCESSOIRES FOURNIS EN OPTION

⚠ ATTENTION :

- Ces accessoires ou pièces complémentaires sont recommandés pour être utilisés avec l'outil Makita

spécifié dans ce mode d'emploi. L'utilisation de tout autre accessoire ou pièce complémentaire peut comporter un risque de blessure. N'utilisez les accessoires ou pièces qu'aux fins auxquelles ils ont été conçus.

Pour obtenir plus de détails sur ces accessoires, contactez votre Centre de service local Makita.

- Lames de scie récipro
- Lames de scie sauteuse (uniquement pour le modèle DJR145, DJR185)
- Batterie et chargeur Makita d'origine

REMARQUE :

- Certains éléments de la liste peuvent être inclus en tant qu'accessoires standard dans le coffret de l'outil envoyé. Ils peuvent varier suivant les pays.

Bruit ENG905-1

Les niveaux de bruit pondéré A typiques ont été mesurés selon la norme EN60745 :

Modèle DJR143, DJR185

Niveau de pression sonore (L_{pA}) : 76 dB (A)

Incertitude (K) : 3 dB (A)

Le niveau de bruit peut dépasser 80 dB (A) lors de l'utilisation.

Modèle DJR145, DJR183

Niveau de pression sonore (L_{pA}) : 77 dB (A)

Incertitude (K) : 3 dB (A)

Le niveau de bruit peut dépasser 80 dB (A) lors de l'utilisation.

Portez des protections auditives.

Vibrations ENG900-1

La valeur totale de vibration (somme du vecteur triaxial) a été déterminée selon la norme EN60745 :

Modèle DJR143, DJR145

Mode de fonctionnement : découpe de planches

Émission des vibrations ($a_{h, B}$) : 7,0 m/s²

Incertitude (K) : 1,5 m/s²

Mode de fonctionnement : découpe de poutres en bois

Émission des vibrations ($a_{h, WB}$) : 7,0 m/s²

Incertitude (K) : 1,5 m/s²

Modèle DJR183, DJR185

Mode de fonctionnement : découpe de planches

Émission des vibrations ($a_{h, B}$) : 8,0 m/s²

Incertitude (K) : 1,5 m/s²

Mode de fonctionnement : découpe de poutres en bois

Émission des vibrations ($a_{h, WB}$) : 7,0 m/s²

Incertitude (K) : 1,5 m/s²

ENG901-1

- La valeur de l'émission des vibrations déclarée a été mesurée conformément à la méthode de test standard et peut être utilisée afin de comparer des outils entre eux.
- La valeur de l'émission des vibrations déclarée peut également être utilisée lors d'une évaluation préliminaire de l'exposition.

AVERTISSEMENT :

- Selon la manière dont l'outil est utilisé, il est possible que l'émission des vibrations pendant l'utilisation réelle de l'outil électrique diffère de la valeur de l'émission déclarée.
- Veillez à identifier les mesures de sécurité destinées à protéger l'opérateur et établies en fonction de l'estimation de l'exposition dans les conditions réelles d'utilisation (en prenant en compte toutes les étapes du cycle de fonctionnement, telles que les périodes de mise hors tension de l'outil, les périodes de fonctionnement au ralenti et les périodes de mise en route).

Pour les pays d'Europe uniquement ENH101-17 Déclaration de conformité CE

Makita déclare que la/les machine(s) suivante(s) :

Nom de la machine :

Scie Recipro sans Fil

N° de modèle/Type : DJR143, DJR145, DJR183, DJR185

sont conformes aux directives européennes suivantes :

2006/42/CE

sont produites conformément aux normes ou documents de normalisation suivants :

EN60745

Le dossier technique conforme à la norme 2006/42/CE est disponible auprès de :

Makita, Jan-Baptist Vinkstraat 2, 3070, Belgique

31. 12. 2013



Yasushi Fukaya

Directeur

Makita, Jan-Baptist Vinkstraat 2, 3070, Belgique

DEUTSCH (Originalanweisungen)

Erklärung der Gesamtdarstellung

- | | | |
|---------------------|------------------------------------|-------------------------------|
| 1. Roter Bereich | 9. Ein/Aus-Schalter (Kippschalter) | 17. Sägeblatt |
| 2. Taste | 10. Ein/Aus-Schalter (Taster) | 18. Schraube |
| 3. Akkublock | 11. Lampe | 19. Festziehen |
| 4. Sternmarkierung | 12. Inbusschlüssel | 20. Loch für Reciprosägeblatt |
| 5. Anzeigenlampen | 13. Sechskantschraube | 21. Blattklemme |
| 6. Akkuprüftaste | 14. Lösen | 22. Loch für Stichsägeblatt |
| 7. Arretiertaste | 15. Reciprosägeblatt | 23. Vorsprung |
| 8. Arretierschalter | 16. Sägeblatt-Klemmring | |

SPEZIFIKATIONEN

Modell		DJR143	DJR145	DJR183	DJR185
Hubhöhe		13 mm			
Stiche pro Minute (min ⁻¹)		0 - 3.000			
Max. Schneidleistungen	Rohre	50 mm			
	Holz	50 mm			
Standard-Akkublock		BL1415/BL1415N/BL1430/ BL1430B/BL1440/BL1450/BL1460B		BL1815/BL1815N/BL1820/BL1820B/ BL1830/BL1830B/BL1840/BL1840B/ BL1850/BL1850B/BL1860B	
Gesamtlänge		392 mm (mit BL1415/BL1415N)		392 mm (mit BL1815/BL1815N/ BL1820/BL1820B)	
		397 mm (mit BL1430/BL1430B/ BL1440/BL1450/BL1460B)		398 mm (mit BL1830/BL1830B/ BL1840/BL1840B/BL1850/ BL1850B/BL1860B)	
Nettogewicht		1,5 kg (mit BL1415/BL1415N)		1,5 kg (mit BL1815/BL1815N/BL1820/ BL1820B)	
		1,7 kg (mit BL1430/BL1430B/ BL1440/BL1450/BL1460B)		1,8 kg (mit BL1830/BL1830B/BL1840/ BL1840B/BL1850/BL1850B/BL1860B)	
Nennspannung		14,4V Gleichspannung		18V Gleichspannung	

- Aufgrund unserer beständigen Forschungen und Weiterentwicklungen sind Änderungen an den hier angegebenen Technischen Daten ohne Vorankündigung vorbehalten.
- Die Technischen Daten und der Akkublock können in den einzelnen Ländern Abweichungen aufweisen.
- Gewicht, mit Akkublock, ermittelt gemäß EPTA-Verfahren 01/2003

Verwendungszweck ENE020-1
Das Werkzeug wurde für das Sägen von Holz, Kunststoff und Eisenmaterial entwickelt.

Allgemeine Sicherheitshinweise für Elektrowerkzeuge

GEA010-1

⚠️ WARNUNG Lesen Sie alle Sicherheitshinweise und Anweisungen sorgfältig durch. Wenn die Hinweise und Anweisungen nicht beachtet werden, besteht die Gefahr eines Stromschlags, Brands und/oder das Risiko von ernsthaften Verletzungen.

Bewahren Sie alle Hinweise und Anweisungen zur späteren Referenz gut auf.

SICHERHEITSHINWEISE ZUR AKKU-RECIPROSÄGE

GEB048-2

1. Halten Sie das Werkzeug an den isolierten Griffflächen, wenn Sie unter Bedingungen

- arbeiten, bei denen das Werkzeug verborgene Kabel berühren kann.** Bei Kontakt des Werkzeugs mit einem stromführenden Kabel wird der Strom an die Metallteile des Elektrowerkzeugs und dadurch an den Bediener weitergeleitet, und der Bediener erleidet einen Stromschlag.
2. **Verwenden Sie Klammern oder andere geeignete Geräte, um das Werkstück an einer stabilen Unterlage zu sichern.** Wenn Sie das Werkstück von Hand halten oder gegen Ihren Körper pressen, kann dies zu Unstabilität und Kontrollverlust führen.
 3. **Verwenden Sie immer Sicherheitsgläser oder Schutzbrillen. Bei gewöhnlichen Brillen und Sonnenbrillen handelt es sich NICHT um Sicherheitsgläser.**
 4. **Vermeiden Sie es, in Nägel zu sägen. Untersuchen Sie das Werkstück auf Nägel, und entfernen Sie diese vor der eigentlichen Arbeit.**
 5. **Sägen Sie keine zu großen Werkstücke.**
 6. **Achten Sie auf genügend Abstand unter dem Werkstück, damit das Blatt nicht auf den Boden, die Werkbank usw. schlägt.**
 7. **Halten Sie das Werkzeug mit festem Griff.**

8. Achten Sie vor dem Einschalten des Werkzeugs darauf, dass das Blatt das Werkstück nicht berührt.
 9. Halten Sie Ihre Hände von den beweglichen Teilen fern.
 10. Lassen Sie das Werkzeug nicht laufen. Das Werkzeug darf nur dann in Betrieb sein, wenn es festgehalten wird.
 11. Schalten Sie das Werkzeug immer aus und warten Sie auf den völligen Stillstand des Sägeblatts, bevor Sie dieses aus dem Werkstück herausziehen.
 12. Berühren Sie kurz nach dem Betrieb nicht das Blatt oder das Werkstück. Diese können extrem heiß sein und zu Verbrennungen führen.
 13. Lassen Sie das Werkzeug nicht unnötig ohne Last laufen.
 14. Verwenden Sie bei der Arbeit stets eine für das Material geeignete Staubmaske bzw. ein Atemgerät.
 15. Einige Materialien enthalten Chemikalien, die giftig sein können. Vermeiden Sie das Einatmen von Staub und den Kontakt mit der Haut. Befolgen Sie die Sicherheitshinweise des Materialherstellers.
- (1) Die Kontakte dürfen nicht mit leitendem Material in Berührung kommen.
 - (2) Der Akkublock darf nicht in einem Behälter aufbewahrt werden, in dem sich andere metallische Gegenstände wie beispielsweise Nägel, Münzen usw. befinden.
 - (3) Der Akkublock darf weder Feuchtigkeit noch Regen ausgesetzt werden.
Ein Kurzschluss des Akkus kann zu hohem Kriechstrom, Überhitzung, möglichen Verbrennungen und sogar zu einer Zerstörung des Werkzeugs führen.
6. Werkzeug und Akkublock dürfen nicht an Orten aufbewahrt werden, an denen Temperaturen von 50°C oder darüber erreicht werden können.
 7. Beschädigte oder verbrauchte Akkus dürfen nicht verbrannt werden. Der Akkublock kann in den Flammen explodieren.
 8. Lassen Sie den Akku nicht fallen und vermeiden Sie Schläge gegen den Akku.
 9. Verwenden Sie niemals einen beschädigten Akku.
 10. Befolgen Sie die in Ihrem Land geltenden Bestimmungen bzgl. der Entsorgung von Akkus.

BEWAHREN SIE DIESE ANWEISUNGEN SORGFÄLTIG AUF.

WARNUNG:

Lassen Sie sich NIE durch Bequemlichkeit oder (aus fortwährendem Gebrauch gewonnener) Vertrautheit mit dem Werkzeug dazu verleiten, die Sicherheitsregeln für das Werkzeug zu missachten. Bei MISSBRÄUHLICHER Verwendung des Werkzeugs oder Missachtung der in dieser Anleitung enthaltenen Sicherheitshinweise kann es zu schweren Verletzungen kommen.

WICHTIGE SICHERHEITSREGELN

ENC007-9

FÜR AKKUBLOCK

1. Lesen Sie vor der Verwendung des Akkublocks alle Anweisungen und Sicherheitshinweise für das Akkuladegerät (1), den Akku (2) und das Produkt (3), für das der Akku verwendet wird, sorgfältig durch.
2. Der Akkublock darf nicht zerlegt werden.
3. Falls die Betriebsdauer erheblich kürzer wird, beenden Sie den Betrieb umgehend. Andernfalls besteht die Gefahr einer Überhitzung sowie das Risiko möglicher Verbrennungen und sogar einer Explosion.
4. Wenn Elektrolyt in Ihre Augen gerät, waschen Sie diese mit klarem Wasser aus und suchen Sie sofort einen Arzt auf. Andernfalls können Sie Ihre Sehfähigkeit verlieren.
5. Vermeiden Sie einen Kurzschluss des Akkublocks:

BEWAHREN SIE DIESE ANLEITUNG SORGFÄLTIG AUF.

Tipps für eine maximale Nutzungsdauer von Akkus

1. Laden Sie den Akkublock auf, bevor der Akku vollständig entladen ist. Sobald Sie eine verringerte Leistung des Werkzeugs bemerken, beenden Sie stets den Betrieb des Werkzeugs und laden Sie den Akkublock auf.
2. Ein voll aufgeladener Akkublock darf niemals erneut geladen werden. Durch Überladungen wird die Lebensdauer des Akkus verkürzt.
3. Laden Sie den Akkublock bei einer Zimmertemperatur von 10°C bis 40°C auf. Lassen Sie einen heißen Akkublock vor dem Aufladen abkühlen.
4. Laden Sie den Akkublock auf, wenn Sie diesen für längere Zeit nicht verwenden (mehr als sechs Monate).

FUNKTIONSBESCHREIBUNG

ACHTUNG:

- Schalten Sie das Werkzeug stets aus und nehmen Sie den Akkublock vom Werkzeug ab, bevor Sie Einstellungen oder Funktionsprüfungen am Werkzeug vornehmen.

Einsetzen und Entfernen des Akkublocks (Abb. 1)

ACHTUNG:

- Schalten Sie das Werkzeug stets aus, bevor Sie den Akkublock einsetzen oder abnehmen.
- Halten Sie das Werkzeug und den Akkublock sicher fest, wenn Sie den Akkublock einsetzen

oder herausnehmen. Andernfalls könnte Ihnen das Werkzeug oder der Akkublock aus den Händen fallen, sodass das Werkzeug oder der Akkublock beschädigt werden oder diese Verletzungen verursachen.

Zum Abnehmen des Akkublocks müssen Sie die Taste auf der Vorderseite des Akkublocks schieben und gleichzeitig den Akkublock aus dem Gerät herausziehen. Zum Einsetzen des Akkublocks müssen Sie die Zunge des Akkublocks an der Rille im Gehäuse ausrichten und in die gewünschte Position schieben. Setzen Sie den Akkublock ganz ein, bis er mit einem leisen Klick einrastet. Wenn Sie den roten Bereich oben auf der Taste sehen können, ist der Akkublock nicht ganz eingerastet.

⚠ **ACHTUNG:**

- Setzen Sie den Akkublock unbedingt ganz ein, bis der rote Bereich nicht mehr zu sehen ist. Andernfalls kann der Akkublock versehentlich aus dem Werkzeug fallen und Sie oder umstehende Personen verletzen.
- Wenden Sie beim Einsetzen des Akkublocks keine Gewalt an. Wenn der Akkublock nicht leicht hineingleitet, ist er nicht richtig angesetzt.

Anzeigelampen			Verbleibende Akkuladung
Leuchtet	Aus	Blinkt	
			75% bis 100%
			50% bis 75%
			25% bis 50%
			0% bis 25%
			Laden Sie den Akku auf.
			Möglicherweise liegt ein Defekt des Akkus vor.

015658

Akku-Schutzsystem (Lithium-Ionen-Akku mit Sternmarkierung) (Abb. 2)

Lithium-Ionen-Akkus mit Sternmarkierung verfügen über ein Schutzsystem. Dieses System schaltet die Stromversorgung des Werkzeugs automatisch aus, um die Lebensdauer des Akkus zu verlängern. Unter folgenden Bedingungen des Werkzeugs und/oder des Akkus kann das Werkzeug während des Betriebs automatisch stoppen:

- Überlastet:
Das Werkzeug wird auf eine Weise betrieben, die zu einer abnormal hohen Stromaufnahme führt. Lassen Sie in dieser Situation den Ein/Aus-Schalter (Kippschalter oder Taster) des Werkzeugs los und beenden Sie die Arbeiten, die zu der Überlastung des Werkzeugs geführt haben. Betätigen Sie anschließend den Ein/Aus-Schalter (Kippschalter oder Taster) erneut, um das Werkzeug wieder in Betrieb zu nehmen.
Wenn das Werkzeug nicht startet, ist der Akku überhitzt. Lassen Sie in dieser Situation den Akku erst abkühlen, bevor Sie wieder den Ein/Aus-Schalter (Kippschalter oder Taster) betätigen.
- Spannung des Akkus zu niedrig:
Die noch vorhandene Akkuladung ist zu niedrig und das Werkzeug startet nicht. Nehmen Sie in dieser Situation den Akku ab und laden Sie den Akku wieder auf.

Anzeigen der Restladung des Akkus

(Nur für Akkublöcke mit einem „B“ am Ende der Modellnummer.) (Abb. 3)

Drücken Sie zum Anzeigen der Restladung des Akkus die Akkuprüftaste. Die Anzeigelampen leuchten dann wenige Sekunden lang auf.

HINWEIS:

- In Abhängigkeit von den Bedingungen bei Gebrauch und von der Umgebungstemperatur kann der angezeigte Ladezustand geringfügig vom tatsächlichen Ladezustand abweichen.

Einschalten

⚠ **ACHTUNG:**

- Achten Sie vor dem Einsetzen des Akkublocks in das Werkzeug darauf, dass sich der Ein/Aus-Schalter (Kippschalter oder Taster) korrekt bedienen lässt und beim Loslassen in die Position „OFF“ (AUS) zurückkehrt. (Abb. 4)

Damit der Ein/Aus-Schalter (Kippschalter oder Taster) nicht versehentlich betätigt wird, befindet sich am Werkzeug ein(e) Arretierschalter/-taste.

- Betätigen Sie zum Starten des Werkzeugs den Ein/Aus-Schalter (Kippschalter oder Taster).
- Bei dem Kippschalter drücken Sie den Arretierschalter und drücken Sie anschließend den Kippschalter, um das Werkzeug zu starten.
- Bei dem Taster drücken Sie die Arretiertaste und drücken Sie anschließend den Taster, um das Werkzeug zu starten. Die Arretiertaste kann von der linken sowie von der rechten Seite aus gedrückt werden.

Die Drehzahl des Werkzeugs wird durch größeren Druck auf den Ein/Aus-Schalter (Kippschalter oder Taster) erhöht. Lassen Sie zum Ausschalten des Werkzeugs den Ein/Aus-Schalter (Kippschalter oder Taster) los.

HINWEIS:

Betätigen Sie den Ein/Aus-Schalter (Kippschalter oder Taster) niemals mit Gewalt, ohne dabei den/die Arretierschalter/-taste zu drücken. Dadurch kann der Schalter beschädigt werden.

Einschalten der Frontlampe (Abb. 5)

⚠ **ACHTUNG:**

- Schauen Sie nicht direkt in das Licht oder in die Lichtquelle.

Bei Einschalten des Ein/Aus-Schalters (Kippschalter oder Taster) leuchtet die Lampe auf. Solange Sie den Ein/Aus-Schalter (Kippschalter oder Taster) betätigt halten, leuchtet die Lampe.

Nach dem Loslassen des Ein/Aus-Schalters (Kippschalter oder Taster) erlischt die Lampe nach 10 - 15 Sekunden.

Einstellen des Schuhs (Abb. 6)

Wenn das Blatt an einer bestimmten Stelle seine Schneidfähigkeit verloren hat, können Sie den Schuh neu einstellen, um einen anderen, unverbrauchten Bereich zum Sägen zu verwenden. Dies verlängert die Lebensdauer des Blattes.

Um die Position des Schuhs zu verändern, lösen Sie mit Hilfe eines Inbusschlüssels die Schraube.

Schieben Sie den Schuh in die gewünschte Position und ziehen Sie dann die Schraube wieder fest.

MONTAGE

ACHTUNG:

- Schalten Sie das Werkzeug stets aus und entfernen Sie den Akkublock, bevor Sie Arbeiten am Werkzeug ausführen.

Einbauen und Ausbauen des Sägeblatts

ACHTUNG:

- Säubern Sie Sägeblatt, Blattklemme und/oder Schieber stets von anhaftenden Spänen oder Fremdkörpern. Tun Sie dies nicht, kann sich das Sägeblatt lösen, was zu schweren Personenschäden führen kann.

Für Modell DJR143, DJR183 (Abb. 7)

Führen Sie das Reciprosägeblatt bis zum Anschlag in den Klemmschuh ein. Der Sägeblatt-Klemmring dreht sich und befestigt das Sägeblatt. Vergewissern Sie sich durch Zugversuch, dass sich das Sägeblatt nicht herausziehen lässt.

ACHTUNG:

- Wird das Sägeblatt nicht tief genug eingeführt, kann es während des Betriebs plötzlich herausgeschleudert werden. Dies kann gefährliche Folgen haben.

HINWEIS:

- Mit den Modellen DJR143 oder DJR183 kann das Stichsägeblatt nicht verwendet werden. (Abb. 8)

Zum Ausbauen des Sägeblatts drehen Sie den Sägeblatt-Klemmring bis zum Anschlag in Pfeilrichtung. Das Sägeblatt wird freigegeben und der Sägeblatt-Klemmring wird in der entriegelten Stellung fixiert.

HINWEIS:

- Wenn das Sägeblatt ausgebaut, ohne den Sägeblatt-Klemmring vollständig zu drehen, wird der Klemmring möglicherweise nicht fixiert. Drehen Sie in diesem Fall den Sägeblatt-Klemmring vollständig, um ihn in der entriegelten Stellung zu fixieren.

Für Modelle DJR145, DJR185 (Abb. 9 und 10)

Zum Einsetzen des Sägeblatts lösen Sie mit Hilfe eines Inbusschlüssels die Schraube.

Zum Einsetzen eines Reciprosägeblatts drücken Sie die Schraube mit dem Inbusschlüssel, um den Schlitz beim Einsetzen des Blattes zu öffnen. (Abb. 11 und 12)

Sie können, den auszuführenden Arbeiten entsprechend, sowohl Stichsägeblätter (Typ B) als auch Reciprosägeblätter verwenden. Führen Sie das Sägeblatt gerade in die Blattklemme ein und ziehen Sie das Sägeblatt mit Hilfe des Inbusschlüssels fest. Ziehen Sie leicht am Sägeblatt, um sicherzustellen, dass das Sägeblatt während des Betriebs nicht herausfällt. Zum Ausbauen des Sägeblatts führen Sie den Einbauvorgang in umgekehrter Reihenfolge aus.

Aufbewahren des Inbusschlüssels (Abb. 13)

Wenn Sie den Inbusschlüssel nicht verwenden, bewahren Sie ihn wie in der Abbildung dargestellt auf, damit er nicht verloren geht.

BETRIEB

ACHTUNG:

- Drücken Sie den Schuh während des Arbeitens stets fest gegen das Werkstück. Wird der Führungsanschlag während des Betriebs vom Werkstück weg gehalten, kann es zu Vibrationen und Windungen kommen, die das Blatt zerstören.
- Tragen Sie beim Schneiden von Metall immer Handschuhe, um sich gegen heiße, herumfliegende Metallsplitter zu schützen.
- Tragen Sie stets einen passenden Augenschutz, der den aktuellen gesetzlichen Normen entspricht.
- Verwenden Sie beim Sägen von Metall ein geeignetes Kühlmittel (Schneideöl). Zuwiderhandlungen können zu vorzeitiger Blattabnutzung führen. (Abb. 14)

Drücken Sie den Führungsanschlag immer fest gegen das Werkstück. Achten Sie darauf, dass das Werkzeug nicht ausschlägt. Bringen Sie das Sägeblatt in leichten Kontakt mit dem Werkstück. Machen Sie zunächst einen Führungsschnitt bei niedriger Geschwindigkeit. Sägen Sie dann bei höherer Geschwindigkeit weiter. (Abb. 15 und 16)

- Sie können, den auszuführenden Arbeiten entsprechend, den Kippschalter oder den Taster als Ein/Aus-Schalter verwenden.

HINWEIS:

- Wenn das Werkzeug bis zur vollständigen Entladung des Akkus betrieben wurde, lassen Sie das Werkzeug 15 Minuten ruhen, bevor Sie die Arbeiten mit einem neuen Akku fortsetzen.

WARTUNG

ACHTUNG:

- Schalten Sie das Gerät stets aus und ziehen Sie den Akkublock ab, bevor Sie Inspektionen oder Wartungsarbeiten am Gerät vornehmen.
- Verwenden Sie zum Reinigen niemals Kraftstoffe, Benzin, Verdünnern, Alkohol oder ähnliches. Dies kann zu Verfärbungen, Verformungen oder Rissen führen.

Zur Gewährleistung von SICHERHEIT und ZUVERLÄSSIGKEIT des Produkts sollten Reparaturen, Wartungsarbeiten und Einstellungen nur durch von Makita autorisierte Servicecenter durchgeführt und ausschließlich Makita-Ersatzteile verwendet werden.

SONDERZUBEHÖR

ACHTUNG:

- Für das in diesem Handbuch beschriebene Makita-Gerät werden die folgenden Zubehör- und Zusatzteile empfohlen. Bei Verwendung anderer Zubehör- und Zusatzteile kann es zu Verletzungen kommen. Verwenden Sie Zubehör- und Zusatzteile nur für den vorgesehenen Zweck.

Informationen zu diesem Zubehör erhalten Sie von Ihrem Makita-Servicecenter.

- Reciprosägeblätter
- Stichsägeblätter (nur für Modelle DJR145, DJR185)
- Original-Akku und Original-Ladegerät von Makita

HINWEIS:

- Einige der in der Liste aufgeführten Elemente sind dem Werkzeugpaket als Standardzubehör beigelegt. Diese können in den einzelnen Ländern voneinander abweichen.

Geräusch

ENG905-1

Typischer A-bewerteter Schallpegel nach EN60745:

Modelle DJR143, DJR185

Schalldruckpegel (L_{pA}): 76 dB (A)

Abweichung (K): 3 dB (A)

Unter Arbeitsbedingungen kann der Schallpegel 80 dB (A) überschreiten.

Modelle DJR145, DJR183

Schalldruckpegel (L_{pA}): 77 dB (A)

Abweichung (K): 3 dB (A)

Unter Arbeitsbedingungen kann der Schallpegel 80 dB (A) überschreiten.

Tragen Sie Gehörschutz!

Vibration

ENG900-1

Schwingungsgesamtwerte (Vektorsumme dreier Achsen) nach EN60745:

Modelle DJR143, DJR145

Betriebsmodus: Sägen von Brettern

Vibrationsemission ($a_{h,B}$): 7,0 m/s²

Abweichung (K): 1,5 m/s²

Betriebsmodus: Sägen von Holzbalken

Vibrationsemission ($a_{h,WB}$): 7,0 m/s²

Abweichung (K): 1,5 m/s²

Modelle DJR183, DJR185

Betriebsmodus: Sägen von Brettern

Vibrationsemission ($a_{h,B}$): 8,0 m/s²

Abweichung (K): 1,5 m/s²

Betriebsmodus: Sägen von Holzbalken

Vibrationsemission ($a_{h,WB}$): 7,0 m/s²

Abweichung (K): 1,5 m/s²

ENG901-1

- Der hier angegebene Wert für die erzeugten Schwingungen wurde gemäß dem genormten Testverfahren ermittelt und kann als Vergleich zu anderen Werkzeugen herangezogen werden.
- Der angegebene Wert für die erzeugten Schwingungen ist außerdem für eine vorbeugende Bewertung der Belastung zu verwenden.

WARNUNG:

- Die Schwingungsbelastung kann bei tatsächlichem Gebrauch des Elektrowerkzeugs in Abhängigkeit von der Handhabung des Elektrowerkzeugs von dem hier aufgeführten Wert abweichen.
- Stellen Sie sicher, dass Schutzmaßnahmen für den Bediener getroffen werden, die auf den unter den tatsächlichen Arbeitsbedingungen zu erwartenden Belastungen beruhen (beziehen Sie alle Bestandteile des Arbeitsablaufs ein, also zusätzlich zu den Arbeitszeiten auch Zeiten, in denen das Werkzeug ausgeschaltet ist oder ohne Last läuft).

Nur für europäische Länder

ENH101-17

EG-Konformitätserklärung

Makita erklärt, dass die nachfolgende(n) Maschine(n):

Bezeichnung der Maschine(n):

Akku Reciprosäge

Nummer/Typ des Modells: DJR143, DJR145, DJR183, DJR185

den folgenden Richtlinien der Europäischen Union

genügt/genügen:

2006/42/EG

Sie werden gemäß den folgenden Standards oder Normen gefertigt:

EN60745

Die technischen Unterlagen gemäß 2006/42/EG sind erhältlich von:

Makita, Jan-Baptist Vinkstraat 2, 3070, Belgien

31. 12. 2013



Yasushi Fukaya

Direktor

Makita, Jan-Baptist Vinkstraat 2, 3070, Belgien

ITALIANO (Istruzioni originali)

Spiegazione della vista generale

- | | | |
|-------------------------------------|------------------------------------|---|
| 1. Indicatore rosso | 10. Grilletto di accensione | 19. Serrare |
| 2. Pulsante | 11. Lampada | 20. Foro per lama di seghetto alternativo |
| 3. Batteria | 12. Chiave esagonale | 21. Ganascia per lama |
| 4. Contrassegno a stella | 13. Bullone esagonale | 22. Foro per lama di seghetto a balestra |
| 5. Spie luminose | 14. Allentare | 23. Sporgenza |
| 6. Pulsante di controllo | 15. Lama per seghetto alternativo | |
| 7. Pulsante di sicura di accensione | 16. Manicotto di ganascia per lama | |
| 8. Levetta di sicura di accensione | 17. Lama del seghetto | |
| 9. Leva di accensione | 18. Bullone | |

SPECIFICHE TECNICHE

Modello	DJR143	DJR145	DJR183	DJR185
Lunghezza del colpo	13 mm			
Colpi al minuto (min ⁻¹)	0 - 3.000			
Capacità massime di taglio	Tubo	50 mm		
	Legno	50 mm		
Batteria standard	BL1415/BL1415N/BL1430/ BL1430B/BL1440/BL1450/BL1460B		BL1815/BL1815N/BL1820/BL1820B/ BL1830/BL1830B/BL1840/BL1840B/ BL1850/BL1850B/BL1860B	
Lunghezza complessiva	392 mm (con BL1415/BL1415N)		392 mm (con BL1815/BL1815N/ BL1820/BL1820B)	
	397 mm (con BL1430/BL1430B/ BL1440/BL1450/BL1460B)		398 mm (con BL1830/BL1830B/ BL1840/BL1840B/BL1850/ BL1850B/BL1860B)	
Peso netto	1,5 kg (con BL1415/BL1415N)		1,5 kg (con BL1815/BL1815N/BL1820/ BL1820B)	
	1,7 kg (con BL1430/BL1430B/ BL1440/BL1450/BL1460B)		1,8 kg (con BL1830/BL1830B/BL1840/ BL1840B/BL1850/BL1850B/BL1860B)	
Tensione nominale	14,4 V CC		18 V CC	

- Le caratteristiche tecniche riportate di seguito sono soggette a modifiche senza preavviso in virtù del nostro programma continuo di ricerca e sviluppo.
- Le caratteristiche tecniche e le batterie possono differire da paese a paese.
- Peso, comprensivo di batterie, calcolato in base alla Procedura EPTA 01/2003

Uso previsto ENE020-1

Questo utensile è progettato per segare legno, plastica e materiali ferrosi.

Avvertenze generali di sicurezza per l'uso dell'utensile GEA010-1

⚠ AVVERTENZA Leggere attentamente tutte le avvertenze di sicurezza e le istruzioni. La mancata osservanza delle istruzioni e delle avvertenze riportate di seguito potrebbe provocare scosse elettriche, incendi e/o lesioni gravi.

Conservare le avvertenze e le istruzioni per riferimenti futuri.

AVVERTENZE DI SICUREZZA PER IL SEGHETTO ALTERNATIVO A BATTERIA GEB048-2

1. **Se vengono eseguite operazioni in cui l'accessorio di taglio può toccare fili nascosti, impugnare l'utensile con i punti di presa isolati.** Se l'accessorio da taglio entra a contatto con un filo percorso da corrente, le parti metalliche esposte dell'utensile si troveranno anch'esse sotto tensione e potrebbero provocare scosse elettriche all'operatore.
2. **Fissare e sostenere il pezzo in lavorazione a un piano stabile utilizzando morsetti o metodi analoghi.** Non sorreggere il pezzo in lavorazione con le mani o contro il proprio corpo, poiché può ridurre la stabilità e provocare una perdita di controllo.
3. **Utilizzare sempre occhiali di protezione o di sicurezza. Gli occhiali comuni da vista o gli occhiali da sole NON sono occhiali di sicurezza.**
4. **Evitare di tagliare chiodi. Controllare che il pezzo in lavorazione non contenga chiodi e rimuoverli prima di azionare l'attrezzo.**

5. **Non tagliare pezzi in lavorazione sovradimensionati.**
6. **Prima di azionare l'utensile, controllare che davanti al pezzo in lavorazione sia disponibile spazio a sufficienza per evitare di colpire con la lama il pavimento, il banco di lavoro e così via.**
7. **Tenere l'utensile in modo saldo.**
8. **Verificare che la lama non tocchi il pezzo in lavorazione prima che l'interruttore sia acceso.**
9. **Mantenere le mani lontano dalle parti in movimento.**
10. **Non lasciare l'utensile acceso. Azionare l'utensile solo dopo averlo impugnato.**
11. **Prima di rimuovere la lama, spegnere l'utensile ed aspettare che la lama si fermi completamente.**
12. **Non toccare la lama o il pezzo in lavorazione subito dopo aver utilizzato l'utensile in quanto possono raggiungere temperature elevate e provocare ustioni.**
13. **Non azionare inutilmente l'attrezzo a vuoto.**
14. **Usare sempre una maschera antipolvere e/o il respiratore appropriati al materiale e all'applicazione.**
15. **Alcuni materiali contengono prodotti chimici potenzialmente tossici. Evitare l'inalazione della polvere e il contatto con la pelle. Attenersi alle istruzioni di sicurezza del fornitore dei materiali.**

CONSERVARE QUESTE ISTRUZIONI.

⚠ AVVERTENZA:

NON lasciare che la familiarità acquisita con il prodotto (dovuta all'uso ripetuto) provochi l'inosservanza delle norme di sicurezza per il presente prodotto. L'USO IMPROPRIO o la mancata osservanza delle norme di sicurezza contenute in questo manuale di istruzioni possono provocare infortuni gravi.

ISTRUZIONI IMPORTANTI PER LA SICUREZZA

ENC007-9

RELATIVE ALLA BATTERIA

1. **Prima di utilizzare la batteria, leggere tutte le istruzioni e gli avvisi di sicurezza relativi a (1) caricabatteria, (2) batteria e (3) prodotto utilizzato con la batteria.**
2. **Non smontare la batteria.**
3. **Se il tempo di funzionamento è diventato eccessivamente breve, non utilizzare l'utensile. Potrebbero verificarsi surriscaldamenti, ustioni o esplosioni.**
4. **In caso di contatto dell'elettrolita della batteria con gli occhi, sciacquare con acqua fresca e rivolgersi immediatamente a un medico. Potrebbero verificarsi danni permanenti alla funzionalità visiva.**
5. **Non cortocircuitare la batteria:**
 - (1) **Non toccare i terminali della batteria con materiale in grado di condurre elettricità.**

- (2) **Evitare di conservare la batteria a contatto con oggetti metallici quali chiodi, monete e così via.**
- (3) **Non esporre le batterie all'acqua o alla pioggia.**

Un cortocircuito può provocare un elevato flusso di corrente, surriscaldamento, ustioni o rotture.

6. **Non conservare l'utensile e la batteria a una temperatura superiore a 50 °C.**
7. **Evitare di smaltire le batterie danneggiate o esaurite bruciandole. Se esposte al fuoco, le batterie possono esplodere.**
8. **Evitare di far cadere o di colpire la batteria.**
9. **Non utilizzare batterie danneggiate.**
10. **Attenersi alle normative della propria area geografica relative allo smaltimento delle batterie.**

CONSERVARE QUESTE ISTRUZIONI.

Suggerimenti per il prolungamento della durata della batteria

1. **Caricare le batterie prima di scaricarle completamente.**
Se si nota una diminuzione di potenza dell'utensile, interrompere il lavoro e ricaricare la batteria.
2. **Non ricaricare una batteria già completamente carica.**
In caso contrario, la durata operativa della batteria potrebbe ridursi.
3. **Caricare la batteria in ambienti con temperatura compresa tra 10 °C e 40 °C.** Prima di caricare una batteria surriscaldata, lasciarla raffreddare.
4. **Caricare la batteria qualora non venga utilizzata per un lungo periodo (superiore a sei mesi).**

DESCRIZIONE FUNZIONALE

⚠ ATTENZIONE:

- Prima di regolare o controllare le funzioni dell'utensile, verificare sempre di averlo spento e di aver rimosso la batteria.

Installazione o rimozione della batteria (Fig. 1)

⚠ ATTENZIONE:

- **Spegnere sempre l'utensile prima di inserire o rimuovere la batteria.**
- **Tenere saldamente l'utensile e la batteria durante l'inserimento o la rimozione della batteria stessa.** In caso contrario, l'utensile e la batteria potrebbero scivolare dalle mani, con conseguenti danni all'utensile, alla batteria e alla persona.

Per rimuovere la batteria è sufficiente estrarla dall'utensile facendo scorrere il pulsante sulla parte anteriore della batteria.

Per inserire la batteria, allineare la linguetta della batteria con la scanalatura nell'alloggiamento e farla scorrere in posizione. Inserire a fondo la batteria fino a bloccarla in posizione con uno scatto. Se è visibile l'indicatore rosso

sul lato superiore del pulsante, significa che la batteria non è completamente inserita.

⚠ **ATTENZIONE:**

- Inserire sempre la batteria fino in fondo, facendo scomparire l'indicatore rosso. In caso contrario, la batteria potrebbe fuoriuscire accidentalmente dall'utensile, provocando danni all'operatore o a eventuali osservatori.
- Non forzare l'inserimento della batteria. Se la batteria non scorre agevolmente, significa che la manovra di inserimento non è corretta.

Sistema di protezione della batteria (batteria agli ioni di litio con contrassegno a stella) (Fig. 2)

Le batterie agli ioni di litio con contrassegno a stella sono dotate di un sistema di protezione. Questo sistema interrompe automaticamente l'alimentazione dell'utensile per prolungare la durata della batteria.

L'utensile si spegne automaticamente durante l'uso se l'utensile stesso e/o la batteria si trovano in una delle seguenti condizioni:

- Sovraccarico:
 - La modalità d'uso dell'utensile provoca un assorbimento anomalo di corrente.
 - In questa situazione, rilasciare la leva/grilletto di accensione dell'utensile e interrompere l'operazione che ha provocato il sovraccarico dell'utensile stesso. Azionare di nuovo la leva/grilletto di accensione per riavviare l'utensile.
 - Se l'utensile non si avvia, si è verificato un surriscaldamento della batteria. In questo caso attendere che la batteria si raffreddi prima di azionare nuovamente la leva/grilletto di accensione.
- Bassa tensione della batteria:
 - la capacità residua della batteria è troppo bassa e non consente di utilizzare l'utensile. In questo caso, rimuovere e ricaricare la batteria.

Indicazione della capacità residua della batteria

(Solo per batterie il cui codice modello termina con "B"). (Fig. 3)

Premere il pulsante di controllo sulla batteria per visualizzare la capacità residua della batteria. Le spie luminose si illuminano per qualche secondo.

Spie luminose			Capacità residua
Accesa	Spenta	Lampeggiante	
■	□	◐	Dal 75% al 100%
■	■	■	Dal 50% al 75%
■	■	□	Dal 25% al 50%
■	□	□	Dal 0% al 25%
◐	□	□	Caricare la batteria.
■	■	□	Probabile malfunzionamento della batteria.
□	□	■	

015658

NOTA:

- Il valore indicato potrebbe variare leggermente dalla capacità effettiva in base alle condizioni di utilizzo e alla temperatura ambientale.

Azionamento dell'interruttore

⚠ **ATTENZIONE:**

- Prima di inserire la batteria nell'utensile, controllare sempre se la leva/grilletto di accensione funziona correttamente e ritorna alla posizione "OFF" una volta rilasciato. (Fig. 4)

La levetta/pulsante di sicura di accensione consente di evitare l'azionamento involontario della leva/grilletto di accensione.

Per avviare l'utensile è sufficiente tirare la leva o il grilletto di accensione.

- Per utilizzare la leva di accensione, azionare la levetta di sicura di accensione e quindi azionare la leva di accensione per avviare l'utensile.
- Per utilizzare il grilletto di accensione, azionare il pulsante di sicura di accensione e azionare quindi il grilletto di accensione per avviare l'utensile. Il pulsante di sicura di accensione può essere premuto sia sul lato sinistro sia sul lato destro.

Per aumentare la velocità dell'utensile è sufficiente aumentare la pressione sulla leva o sul grilletto di accensione. Rilasciare la leva o il grilletto di accensione per spegnere l'utensile.

AVVISO:

Non azionare con eccessiva forza la leva o il grilletto di accensione senza prima azionare la levetta/pulsante di sicura di accensione. In caso contrario, l'interruttore potrebbe rompersi.

Accensione delle lampada frontale (Fig. 5)

⚠ **ATTENZIONE:**

- Non osservare direttamente la luce o la fonte luminosa. Azionare la leva o il grilletto di accensione per accendere la lampada. La lampada rimane accesa fino a quando la leva o il grilletto di accensione rimane azionato.

La lampada si spegne automaticamente 10-15 secondi dopo aver rilasciato la leva o il grilletto di accensione.

Regolazione della scarpa (Fig. 6)

Quando la lama perde la sua efficienza di taglio in una posizione lungo il bordo tagliente, riposizionare la scarpa per utilizzare una parte affilata e inutilizzata del bordo tagliente. Questo consentirà di allungare la durata della lama.

Per riposizionare la scarpa, allentare il bullone con la chiave esagonale.

Far scorrere la scarpa sulla posizione desiderata, quindi serrare il bullone con fermezza.

MONTAGGIO

⚠ ATTENZIONE:

- Prima di eseguire qualsiasi operazione sull'utensile, verificare sempre di averlo spento e di aver rimosso la batteria.

Installazione o rimozione della lama del seghetto

⚠ ATTENZIONE:

- Rimuovere sempre tutte le schegge o le sostanze estranee che si attaccano alla lama, alla ganascia della lama e/o al cursore. La mancata osservanza di questa operazione può far sì che il fissaggio della lama risulti insufficiente, provocando lesioni gravi.

Per i modelli DJR143, DJR183 (Fig. 7)

Inserire la lama per seghetto alternativo nella ganascia per lama fino al fermo. Il manicotto della ganascia della lama ruota e in tal modo la lama del seghetto viene fissata. Assicurarsi di aver posizionato correttamente la lama del seghetto tentando di estrarla. La lama non deve muoversi.

⚠ ATTENZIONE:

- Se la lama del seghetto non viene inserita completamente, potrebbe essere espulsa inaspettatamente durante il funzionamento dell'utensile. Si tratta di un'eventualità estremamente pericolosa.

NOTA:

- Non è possibile utilizzare la lama per seghetto a balestra con i modelli DJR143 o DJR183. (Fig. 8)

Per rimuovere la lama del seghetto, ruotare completamente il manicotto della ganascia della lama nella direzione indicata dalla freccia. La lama del seghetto viene rimossa e il manicotto della ganascia della lama rimane fisso nella posizione di sblocco.

NOTA:

- Se si rimuove la lama del seghetto senza ruotare completamente il manicotto della ganascia della lama, il manicotto potrebbe non essere fissato correttamente. In tal caso, ruotare completamente il manicotto della ganascia della lama, quindi fissare il manicotto nella posizione di sblocco.

Per i modelli DJR145, DJR185 (Fig. 9 e 10)

Allentare il bullone con la chiave esagonale per installare la lama per seghetto

Per l'installazione della lama per seghetto alternativo, premere il bullone con la chiave esagonale per aprire la fessura durante l'inserimento della lama. (Fig. 11 e 12) È possibile utilizzare lame sia per seghetto a balestra (tipo B) sia per seghetto alternativo in base al lavoro da svolgere. Inserire in linea retta la lama per seghetto nella ganascia per lama e serrarla con la chiave esagonale. Tirare leggermente la lama per seghetto per verificare che non possa cadere durante l'uso. Ripetere la procedura di installazione in ordine inverso per rimuovere la lama per seghetto.

Allungamento della chiave esagonale (Fig. 13)

Per evitare di perdere la chiave esagonale quando non è in uso, conservarla nella posizione illustrata nella figura.

USO

⚠ ATTENZIONE:

- Durante il funzionamento, premere sempre saldamente la scarpa contro il pezzo in lavorazione. Se la scarpa non rimane a contatto del pezzo durante la lavorazione, si producono forti vibrazioni e/o torsioni che possono provocare la rottura della lama determinando il rischio di lesioni.
- Per proteggere le mani da schegge incandescenti quando si taglia materiale metallico, indossare sempre i guanti.
- Indossare sempre una adeguata protezione per gli occhi conforme alle norme nazionali in vigore.
- Quando si taglia materiale metallico, utilizzare sempre un refrigerante adatto (olio da taglio). Altrimenti, questo causerà un'usura prematura della lama. (Fig. 14)

Premere saldamente la scarpa contro il pezzo in lavorazione. Non fare rimbalzare l'utensile. Portare la lama per seghetto a leggero contatto con il pezzo in lavorazione. Fare prima una scanalatura di prova a bassa velocità. Quindi, continuare a tagliare ad una velocità maggiore. (Fig. 15 e 16)

- È possibile utilizzare sia la leva sia il grilletto di accensione in base al lavoro da svolgere.

NOTA:

- Se si utilizza l'utensile in modo continuativo fino al completo scaricamento della batteria, attendere 15 minuti prima di utilizzarlo con una batteria nuova.

MANUTENZIONE

⚠ ATTENZIONE:

- Prima di effettuare operazioni di ispezione o manutenzione, verificare sempre di aver spento l'utensile e di aver rimosso la batteria.
- Evitare assolutamente di usare benzina, diluenti, solventi, alcol o sostanze simili. In caso contrario, potrebbero verificarsi scoloriture, deformazioni o incrinature.

Per preservare la SICUREZZA e l'AFFIDABILITÀ del prodotto, qualsiasi riparazione o intervento di manutenzione e regolazione deve essere eseguito dai centri assistenza autorizzati Makita utilizzando sempre ricambi Makita.

ACCESSORI OPZIONALI

ENG901-1

⚠ ATTENZIONE:

- Si consiglia l'uso dei seguenti accessori per l'utensile Makita descritto in questo manuale. L'uso di qualsiasi altro accessorio potrebbe provocare lesioni personali. Utilizzare gli accessori esclusivamente per l'uso dichiarato.

Per l'assistenza e per ulteriori informazioni su tali accessori, rivolgersi al centro assistenza Makita di zona.

- Lame per seghetto alternativo
- Lame per seghetto a baletta (solo per modelli DJR145, DJR185)
- Batteria e caricabatteria originali Makita

NOTA:

- Alcuni degli accessori elencati potrebbero essere inclusi nella confezione dell'utensile come accessori standard. Gli accessori standard possono differire da paese a paese.

Rumore

ENG905-1

Il tipico livello di rumore ponderato A determinato in conformità alla norma EN60745:

Modelli DJR143, DJR185

Livello di pressione sonora (L_{pA}): 76 dB (A)

Variazione (K): 3 dB (A)

Il livello di rumore in funzionamento può superare 80 dB (A).

Modelli DJR145, DJR183

Livello di pressione sonora (L_{pA}): 77 dB (A)

Variazione (K): 3 dB (A)

Il livello di rumore in funzionamento può superare 80 dB (A).

Indossare una protezione acustica.

Vibrazioni

ENG900-1

Il valore totale delle vibrazioni (somma vettoriale triassiale) determinato in conformità alla norma EN60745:

Modelli DJR143, DJR145

Modalità operativa: taglio di tavole

Emissione delle vibrazioni ($a_{h, B}$): 7,0 m/s²

Variazione (K): 1,5 m/s²

Modalità operativa: taglio di travi in legno

Emissione delle vibrazioni ($a_{h, WB}$): 7,0 m/s²

Variazione (K): 1,5 m/s²

Modelli DJR183, DJR185

Modalità operativa: taglio di tavole

Emissione delle vibrazioni ($a_{h, B}$): 8,0 m/s²

Variazione (K): 1,5 m/s²

Modalità operativa: taglio di travi in legno

Emissione delle vibrazioni ($a_{h, WB}$): 7,0 m/s²

Variazione (K): 1,5 m/s²

- Il valore di emissione delle vibrazioni dichiarato è stato misurato in conformità con il metodo di test standard e può essere utilizzato per confrontare tra loro diversi utensili.
- Il valore dell'emissione delle vibrazioni dichiarato può anche essere usato per stime preliminari dell'esposizione.

⚠ AVVERTENZA:

- L'emissione delle vibrazioni durante l'uso effettivo dell'utensile elettrico può risultare diversa rispetto al valore dichiarato, in base alla modalità d'uso dell'utensile.
- Assicurarsi di individuare le necessarie misure di sicurezza per proteggere l'operatore in base a una stima dell'esposizione nelle condizioni reali di utilizzo (prendendo in considerazione tutte le fasi del ciclo operativo, come quante volte l'utensile viene spento e i periodi in cui rimane inattivo, oltre al tempo di avviamento).

Solo per i paesi europei

ENH101-17

Dichiarazione di conformità CE

Makita dichiara che le macchine seguenti:

Denominazione dell'utensile:

Seghetto alternativo a batteria

N. modello/Tipo: DJR143, DJR145, DJR183, DJR185

sono conformi alle seguenti direttive europee:

2006/42/EC

Sono prodotte in conformità agli standard o ai documenti standardizzati riportati di seguito:

EN60745

Il documento tecnico ai sensi della Direttiva europea 2006/42/EC è disponibile presso:

Makita, Jan-Baptist Vinkstraat 2, 3070, Belgio

31. 12. 2013



Yasushi Fukaya

Direttore

Makita, Jan-Baptist Vinkstraat 2, 3070, Belgio

NEDERLANDS (Originele instructies)

Verklaring van het onderdelenoverzicht

1. Rode deel	9. Aan/uit-hendel	17. Zaagblad
2. Knop	10. Aan/uit-schakelaar	18. Bout
3. Accu	11. Lampje	19. Vastdraaien
4. Ster-merkteken	12. Inbusleutel	20. Opening voor reciprozaagblad
5. Indicatorlampjes	13. Inbusbout	21. Zaagbladklem
6. Testknop	14. Losdraaien	22. Opening voor decoupeerzaagblad
7. Uit-vergrendelknop	15. Reciprozaagblad	23. Uitsteeksel
8. Uit-vergrendelhendel	16. Zaagbladklembus	

TECHNISCHE GEGEVENS

Model	DJR143	DJR145	DJR183	DJR185
Slaglengte	13 mm			
Aantal zaagbewegingen per minuut (min ⁻¹)	0 - 3.000			
Max. zaagdikte	Pijp	50 mm		
	Hout	50 mm		
Standaardaccu	BL1415/BL1415N/BL1430/ BL1430B/BL1440/BL1450/BL1460B		BL1815/BL1815N/BL1820/BL1820B/ BL1830/BL1830B/BL1840/BL1840B/ BL1850/BL1850B/BL1860B	
Totale lengte	392 mm (met BL1415/BL1415N)		392 mm (met BL1815/BL1815N/ BL1820/BL1820B)	
	397 mm (met BL1430/BL1430B/ BL1440/BL1450/BL1460B)		398 mm (met BL1830/BL1830B/ BL1840/BL1840B/BL1850/ BL1850B/BL1860B)	
Nettogewicht	1,5 kg (met BL1415/BL1415N)		1,5 kg (met BL1815/BL1815N/BL1820/ BL1820B)	
	1,7 kg (met BL1430/BL1430B/ BL1440/BL1450/BL1460B)		1,8 kg (met BL1830/BL1830B/BL1840/ BL1840B/BL1850/BL1850B/BL1860B)	
Nominale spanning	14,4 volt gelijkstroom		18 volt gelijkstroom	

- Als gevolg van ons doorlopende onderzoeks- en ontwikkelingsprogramma, zijn de technische gegevens van dit gereedschap onderhevig aan veranderingen zonder voorafgaande kennisgeving.
- Specificaties en accu's kunnen van land tot land verschillen.
- Gewicht, inclusief de accu, volgens de EPTA-procedure 01/2003


Gebruiksdoeleinden

ENE020-1

Dit gereedschap is bedoeld voor het zagen van hout, kunststof en ferro-materialen.

Algemene veiligheids waarschuwingen voor elektrisch gereedschap

GEA010-1

 **WAARSCHUWING** Lees alle veiligheids waarschuwingen en alle instructies. Het niet volgen van de waarschuwingen en instructies kan leiden tot elektrische schokken, brand en/of ernstig letsel.

Bewaar alle waarschuwingen en instructies om in de toekomst te kunnen raadplegen.

VEILIGHEIDSWAARSCHUWINGEN SPECIFIEK VOOR EEN ACCU-RECIPROZAAG

GEB048-2

1. **Houd het elektrisch gereedschap vast aan het geïsoleerde oppervlak van de handgrepen wanneer u werkt op plaatsen waar het booraccessoire met verborgen bedrading in aanraking kan komen.** Wanneer het bitaccessoire in aanraking komen met onder spanning staande draden, zullen de niet-geïsoleerde metalen delen van het gereedschap onder spanning komen te staan zodat de gebruiker een elektrische schok kan krijgen.
2. **Gebruik klemmen of een andere praktische methode om het werkstuk op een stabiele ondergrond te bevestigen en ondersteunen.** Als u het werkstuk in uw hand of tegen uw lichaam geklemd houdt, is het onvoldoende stabiel en kunt u de controle erover verliezen.
3. **Gebruik altijd een veiligheidsbril. Een gewone bril of een zonnebril is GEEN veiligheidsbril.**

4. Voorkom dat u met de bit spijkers raakt. Inspecteer het werkstuk op spijkers en verwijder deze alvorens erin te zagen.
 5. Zaag geen te grote werkstukken.
 6. Controleer op voldoende vrije speling rondom het werkstuk alvorens te zagen, zodat het zaagblad de vloer, werkbank, enz., niet raakt.
 7. Houd het gereedschap stevig vast.
 8. Zorg ervoor dat het zaagblad het werkstuk niet raakt voordat u het gereedschap hebt ingeschakeld.
 9. Houd uw handen uit de buurt van bewegende delen.
 10. Laat het gereedschap niet ingeschakeld liggen. Bedien het gereedschap alleen wanneer u het vasthoudt.
 11. Schakel het gereedschap uit en wacht altijd tot het zaagblad volledig tot stilstand is gekomen voordat u het zaagblad uit het werkstuk verwijderd.
 12. Raak het zaagblad en het werkstuk niet onmiddellijk na gebruik aan. Zij kunnen bijzonder heet zijn en brandwonden op uw huid veroorzaken.
 13. Laat het gereedschap niet onnodig onbelast draaien.
 14. Gebruik altijd het juiste stofmasker/ademhalingsapparaat voor het materiaal en de toepassing waarmee u werkt.
 15. Sommige materialen bevatten chemische stoffen die giftig kunnen zijn. Neem voorzorgsmaatregelen tegen het inademen van stof en contact met de huid. Volg de veiligheidsinstructies van de leverancier van het materiaal op.
4. Als de elektrolyt in uw ogen komt, wast u deze uit met schoon water en raadpleegt u onmiddellijk een arts. Dit kan leiden tot verlies van gezichtsvermogen.
 5. Sluit de accu niet kort:
 - (1) Raak de accupolen niet aan met enig geleidend materiaal.
 - (2) Bewaar de accu niet op een plaats waar deze in aanraking kan komen met andere metalen voorwerpen, zoals spijkers, munten, enz.
 - (3) Stel de accu niet bloot aan water of regen. Kortsluiting van de accu kan leiden tot een hoge stroomsterkte, oververhitting, mogelijke brandwonden en zelfs een defect.
 6. Bewaar het gereedschap en de accu niet op plaatsen waar de temperatuur kan oplopen tot 50 °C of hoger.
 7. Werp de accu niet in een vuur, zelfs niet als deze al ernstig beschadigd of helemaal versleten is. De accu kan in een vuur exploderen.
 8. Wees voorzichtig dat u de accu niet laat vallen of ergens tegenaan stoot.
 9. Gebruik nooit een beschadigde accu.
 10. Neem de plaatselijke regelgeving met betrekking tot het weggooien van de accu in acht.

BEWAAR DEZE INSTRUCTIES.

Tips voor een lange levensduur van de accu

1. Laad de accu op voordat deze volledig leeg is. Wanneer u merkt dat het gereedschap minder vermogen heeft, stopt u met het gebruik ervan en laadt u eerst de accu op.
2. Laad nooit een volledig opgeladen accu op. Te lang opladen verkort de levensduur van de accu.
3. Laad de accu op bij een omgevingstemperatuur van 10 °C tot 40 °C. Laad een warme accu eerst afkoelen voordat u deze oplaadt.
4. Als de accu gedurende een lange tijd (meer dan zes maanden) niet gebruikt, laadt u deze eerst op alvorens deze te gebruiken.

BESCHRIJVING VAN DE FUNCTIES

⚠ LET OP:

- Zorg ervoor dat het gereedschap is uitgeschakeld en dat de accu is verwijderd voordat u de werking van het gereedschap aanpast of controleert.

De accu aanbrengen en verwijderen (zie afb. 1)

⚠ LET OP:

- Schakel het gereedschap altijd uit voordat u de accu aanbrengt of verwijdert.
- Houd het gereedschap en de accu stevig vast tijdens het aanbrengen of verwijderen van de accu. Als u het gereedschap en de accu niet stevig vasthoudt, kunnen deze uit uw handen glippen en

BEWAAR DEZE INSTRUCTIES.

⚠ WAARSCHUWING:

Laat u NIET misleiden door een vals gevoel van comfort en bekendheid met het gereedschap (na veelvuldig gebruik) en neem alle veiligheidsvoorschriften van het betreffende product altijd strikt in acht. VERKEERD GEBRUIK of het niet volgen van de veiligheidsinstructies in deze gebruiksaanwijzing kan leiden tot ernstig persoonlijk letsel.

BELANGRIJKE VEILIGHEIDSinSTRUCTIES ENC007-9

VOOR ACCU'S

1. Alvorens de accu in gebruik te nemen, leest u eerst alle instructies en waarschuwingsopdrachten op (1) de acculader, (2) de accu en (3) het apparaat waarin de accu wordt aangebracht.
2. Haal de accu niet uit elkaar.
3. Als de gebruikstijd aanzienlijk korter is geworden, stopt u onmiddellijk met het gebruik. Anders kan dit leiden tot kans op oververhitting, mogelijke brandwonden en zelfs een explosie.

beschadigd raken, of kan persoonlijk letsel worden veroorzaakt.

Om de accu te verwijderen verschuift u de knop aan de voorkant van de accu en schuift u tegelijkertijd de accu eraf.

Om de accu aan te brengen, lijnt u de lip op de accu uit met de groef in de behuizing en duwt u de accu op zijn plaats. Steek de accu zo ver mogelijk erin tot u een klikgeluid hoort. Als u het rode deel aan de bovenkant van de knop kunt zien, is de accu niet goed aangebracht.

⚠ LET OP:

- Breng de accu altijd helemaal aan totdat het rode deel niet meer zichtbaar is. Als u dit niet doet, kan de accu per ongeluk uit het gereedschap vallen en u of anderen in uw omgeving verwonden.
- Breng de accu niet met kracht aan. Als de accu niet gemakkelijk erin kan worden geschoven, wordt deze niet goed aangebracht.

Accubeveiligingssysteem (lithiumionaccu met een ster-merkteken) (zie afb. 2)

Lithiumionaccu's met een ster-merkteken zijn uitgerust met een beveiligingssysteem. Dit systeem schakelt automatisch de voeding naar het gereedschap uit om de levensduur van de accu te verlengen.










Het gereedschap zal tijdens gebruik automatisch stoppen wanneer het gereedschap en/of de accu zich in een van de volgende omstandigheden bevinden:

- Overbelasting:
Het gereedschap wordt gebruikt op een manier die ertoe leidt dat een abnormaal hoge stroomsterkte uit de accu wordt getrokken.
Laat in die situatie de aan/uit-schakelaar of -hendel van het gereedschap los en stop het gebruik dat ertoe leidde dat het gereedschap overbelast werd.
Knijp daarna opnieuw de aan/uit-schakelaar of -hendel in om het gereedschap weer in te schakelen. Als het gereedschap niet wordt ingeschakeld, is de accu oververhit. In die situatie laat u de accu eerst afkoelen voordat u opnieuw de aan/uit-schakelaar of -hendel inknijpt.
- Lage accuspanning:
De resterende acculading is te laag en het gereedschap wordt niet ingeschakeld. Verwijder in die situatie de accu en laad hem op.

Aanduiding van de resterende acculading

(Alleen voor accu's met een "B" aan het einde van het modelnummer.) (zie afb. 3)

Druk op de testknop op de accu om de resterende accucapaciteit af te lezen. De indicatorlampjes branden gedurende enkele seconden.

Indicatorlampjes			Resterende acculading
 Brandt	 Uit	 Knippert	
			75% tot 100%
			50% tot 75%
			25% tot 50%
			0% tot 25%
			Laad de accu op.
			Er kan een storing in de accu zijn opgetreden.

015658

OPMERKING:

- Afhankelijk van de gebruiksomstandigheden en de omgevingstemperatuur, is het mogelijk dat de aangegeven acculading verschilt van de werkelijke acculading.

Werking van de aan/uit-schakelaar

⚠ LET OP:

- Controleer altijd, voordat u de accu op het gereedschap aanbrengt, of de aan/uit-schakelaar en -hendel op de juiste manier schakelen en weer terugkeren naar de uit-stand nadat ze zijn losgelaten (zie afb. 4).

Om te voorkomen dat de aan/uit-schakelaar en -hendel per ongeluk worden bediend, zijn een uit-vergrendelknop en -hendel aangebracht.

Om het gereedschap in te schakelen, knijpt u de aan/uit-schakelaar of -hendel in.

- Om het gereedschap in te schakelen met de aan/uit-hendel, trekt u de uit-vergrendelknop naar achteren en knijpt u vervolgens de aan/uit-schakelaar of -hendel in.
- Om het gereedschap in te schakelen met de aan/uit-schakelaar, drukt u de uit-vergrendelknop in en knijpt u vervolgens de aan/uit-schakelaar in. De uit-vergrendelknop kan vanaf zowel de linker- als de rechterkant worden ingedrukt.

De draaisnelheid van het gereedschap neemt toe naarmate u meer druk uitoefent op de aan/uit-schakelaar. Laat de aan/uit-schakelaar los om het gereedschap te stoppen.

KENNISGEVING:

Knijp de aan/uit-schakelaar of -hendel niet hard in zonder de uit-vergrendelknop of -hendel te bedienen. Hierdoor kan de aan/uit-schakelaar kapot gaan.

De lamp op de voorkant inschakelen (zie afb. 5)

⚠ LET OP:

- Kijk niet rechtstreeks in het licht of naar de bron van de lamp.

Knijp de aan/uit-schakelaar of -hendel in om de lamp op de voorkant in te schakelen. De lamp blijft branden zolang u de aan/uit-schakelaar of -hendel ingeknepen houdt. De lamp gaat 10 tot 15 seconden nadat u de aan/uit-schakelaar of -hendel hebt losgelaten uit.

De schoen verstellen (zie afb. 6)

Wanneer de zaagwerking op één plaats langs het zaagblad afneemt, verplaatst u de schoen zodat een scherp en ongebruikt deel van het zaagblad wordt gebruikt. Hierdoor wordt de levensduur van het zaagblad verlengd.

Om de schoen te verplaatsen, draait u de bout los met een inbussleutel.

Verschuif de schoen naar de gewenste stand en draai daarna de bout stevig vast.

ONDERDELEN AANBRENGEN EN VERWIJDEREN

⚠ LET OP:

- Controleer altijd of het gereedschap is uitgeschakeld en de accu is verwijderd alvorens enige werkzaamheden aan het gereedschap te verrichten.

Het zaagblad aanbrengen en verwijderen

⚠ LET OP:

- Verwijder altijd eerst alle houtsnippers en vreemde stoffen die aan het zaagblad, de zaagbladklem en/of de schuivende delen kleven. Als u dat niet doet is het mogelijk dat het zaagblad onvoldoende wordt vastgeklemd, wat kan leiden tot ernstig persoonlijk letsel.

Voor de modellen DJR143 en DJR183 (zie afb. 7)

Steek het reciprozaagblad zo ver mogelijk in de zaagbladklem. De zaagbladklembus draait en klemt het zaagblad vast. Controleer dat het zaagblad er niet uit getrokken kan worden, ook niet als u er aan trekt.

⚠ LET OP:

- Als u het zaagblad er niet diep genoeg insteekt, kan het zaagblad er onverwachts uit geworpen worden tijdens gebruik. Dit kan uitermate gevaarlijk zijn.

OPMERKING:

- Met de modellen DJR143 en DJR183 kan het decoupeerzaagblad niet worden gebruikt (zie afb. 8).

Om het zaagblad te verwijderen, draait u de zaagbladklembus helemaal in de richting van de pijl. Het zaagblad kan worden verwijderd en de zaagbladklembus staat vast in de ontgrendelde stand.

OPMERKING:

- Als u het zaagblad verwijdert zonder de zaagbladklembus geheel te draaien, wordt deze niet vastgezet. In dat geval draait u de zaagbladklembus helemaal en controleert u dat de zaagbladklembus vaststaat in de ontgrendelde stand.

Voor de modellen DJR145 en DJR185 (zie afb. 9 en 10)

Om het zaagblad aan te brengen, draait u de bout los met de inbussleutel.

Bij het aanbrengen van een reciprozaagblad, duwt u met de inbussleutel de bout in om de gleuf te openen en het zaagblad te kunnen insteken (zie afb. 11 en 12).

U kunt zowel decoupeerzaagbladen (type B) als reciprozaagbladen gebruiken, afhankelijk van uw werkzaamheden. Steek het zaagblad recht in de zaagbladklem en zet hem vast met de inbussleutel. Trek voorzichtig aan het zaagblad om er zeker van te zijn dat het zaagblad tijdens gebruik er niet uit valt.

Om het zaagblad te verwijderen, volgt u de procedure in de omgekeerde volgorde.

Opbergplaats van de inbussleutel (zie afb. 13)

Wanneer u de inbussleutel niet gebruikt, bergt u deze op de plaats aangegeven in de afbeelding op, om te voorkomen dat deze wordt verloren.

BEDIENING

⚠ LET OP:

- Druk tijdens gebruik de schoen altijd stevig tegen het werkstuk. Als tijdens gebruik de schoen op een afstand van het werkstuk wordt gehouden, zullen sterke trillingen en/of draaibewegingen het gevolg zijn waardoor het zaagblad op een gevaarlijke manier zal afbreken.
- Draag tijdens het zagen van metaal altijd handschoenen om uw handen te beschermen tegen rondvliegende warme deeltjes.
- Zorg ervoor dat u altijd geschikte oogbescherming draagt die voldoet aan de meest recente richtlijnen in uw land.
- Gebruik tijdens het zagen van metaal altijd een geschikte koelvlloeistof (zaagolie). Als u dat niet doet, zal het zaagblad voortijdig slijten (zie afb. 14).

Druk de schoen stevig tegen het werkstuk. Laat het gereedschap niet springen. Plaats het zaagblad op het werkstuk en druk er licht tegen. Maak eerst een geleidingssleuf met behulp van een lage zaagsnelheid. Gebruik daarna een hogere snelheid om verder te zagen (zie afb. 15 en 16).

- Afhankelijk van uw werkzaamheden gebruikt u de aan/uit-schakelaar of -hendel die het handigste werkt.

OPMERKING:

- Als het gereedschap continu wordt bediend totdat de accu leeg is, laat u het gereedschap gedurende 15 minuten liggen alvorens verder te werken met een volle accu.

ONDERHOUD

⚠ LET OP:

- Zorg er altijd voor dat het gereedschap is uitgeschakeld en de accu is verwijderd, voordat u een inspectie of onderhoud uitvoert.
- Gebruik nooit benzine, wasbenzine, thinner, alcohol, enz. Dit kan leiden tot verkleuren, vervormen of barsten.

Om de VEILIGHEID en BETROUWBAARHEID van het gereedschap te handhaven, dienen alle reparaties, onderhoud en afstellingen te worden uitgevoerd door een erkend Makita-servicecentrum, en altijd met gebruikmaking van originele Makita- vervangingsonderdelen.

Modellen DJR183 en DJR185

Gebruikstoepassing: zagen van platen

Trillingsemissie ($a_{h, B}$): 8,0 m/s²

Onzekeerheid (K): 1,5 m/s²

Gebruikstoepassing: zagen van houden balken

Trillingsemissie ($a_{h, WB}$): 7,0 m/s²

Onzekeerheid (K): 1,5 m/s²

ENG901-1

VERKRIJGBARE ACCESSOIRES

⚠ LET OP:

- Deze accessoires of hulpstukken worden aanbevolen voor gebruik met het Makita-gereedschap dat in deze gebruiksaanwijzing wordt beschreven. Het gebruik van andere accessoires of hulpstukken kan gevaar voor persoonlijk letsel opleveren. Gebruik de accessoires of hulpstukken uitsluitend voor de aangegeven gebruiksdoeleinden.

Mocht u meer informatie willen hebben over deze accessoires, dan kunt u contact opnemen met uw plaatselijke Makita-servicecentrum.

- Reciprozaagbladen
- Decoupeerzaagbladen (alleen voor de modellen DJR145 en DJR185)
- Originele Makita accu en lader

OPMERKING:

- Sommige items op de lijst kunnen zijn inbegrepen in de doos van het gereedschap als standaard toebehoren. Zij kunnen van land tot land verschillen.

Geluid

ENG905-1

De typische, A-gewogen geluidsniveaus zijn gemeten volgens EN60745:

Modellen DJR143 en DJR185

Geluidsdruk niveau (L_{pA}): 76 dB (A)

Onzekeerheid (K): 3 dB (A)

Het geluidsniveau kan tijdens gebruik hoger worden dan 80 dB (A).

Modellen DJR145 en DJR183

Geluidsdruk niveau (L_{pA}): 77 dB (A)

Onzekeerheid (K): 3 dB (A)

Het geluidsniveau kan tijdens gebruik hoger worden dan 80 dB (A).

Draag gehoorbescherming.

Trillingen

ENG900-1

De totale trillingswaarde (triaxiale vectorsom) zoals vastgesteld volgens EN60745:

Modellen DJR143 en DJR145

Gebruikstoepassing: zagen van platen

Trillingsemissie ($a_{h, B}$): 7,0 m/s²

Onzekeerheid (K): 1,5 m/s²

Gebruikstoepassing: zagen van houden balken

Trillingsemissie ($a_{h, WB}$): 7,0 m/s²

Onzekeerheid (K): 1,5 m/s²

- De opgegeven trillingsemisiewaarde is gemeten volgens de standaardtestmethode en kan worden gebruikt om dit gereedschap te vergelijken met andere gereedschappen.
- De opgegeven trillingsemisiewaarde kan ook worden gebruikt voor een beoordeling vooraf van de blootstelling.

⚠ WAARSCHUWING:

- De trillingsemissie tijdens het gebruik van het elektrisch gereedschap in de praktijk kan verschillen van de opgegeven trillingsemisiewaarde afhankelijk van de manier waarop het gereedschap wordt gebruikt.
- Zorg ervoor dat veiligheidsmaatregelen worden getroffen ter bescherming van de operator die zijn gebaseerd op een schatting van de blootstelling onder praktijkomstandigheden (rekening houdend met alle fasen van de bedrijfscyclus, zoals de tijdsduur gedurende welke het gereedschap is uitgeschakeld en stationair draait, naast de ingeschakelde tijdsduur).

Alleen voor Europese landen

ENH101-17

EU-verklaring van conformiteit

Makita verklaart dat de volgende machine(s):

Aanduiding van de machine:

Accureciprozaag

Modelnr./Type: DJR143, DJR145, DJR183, DJR185

Voldoen aan de volgende Europese richtlijnen:

2006/42/EG

Deze zijn gefabriceerd in overeenstemming met de

volgende normen of genormaliseerde documenten:

EN60745

Het technische bestand volgens 2006/42/EG is

verikbaar bij:

Makita, Jan-Baptist Vinkstraat 2, 3070, België

31. 12. 2013



Yasushi Fukaya
Directeur

Makita, Jan-Baptist Vinkstraat 2, 3070, België

ESPAÑOL (Instrucciones originales)

Explicación de los dibujos

- | | | |
|----------------------------|--|---|
| 1. Indicador rojo | 10. Interruptor disparador | 18. Perno |
| 2. Botón | 11. Lámpara | 19. Apretar |
| 3. Cartucho de la batería | 12. Llave hexagonal | 20. Orificio para la hoja de sierra recíproca |
| 4. Marca de estrella | 13. Perno de cabeza hexagonal | 21. Manga de sujeción |
| 5. Luces indicadoras | 14. Aflojar | 22. Orificio para la hoja de sierra de vaivén |
| 6. Botón de comprobación | 15. Hoja de sierra recíproca | 23. Saliente |
| 7. Botón de bloqueo | 16. Manga de sujeción de hoja de la sierra | |
| 8. Palanca de bloqueo | 17. Hoja de sierra | |
| 9. Palanca del interruptor | | |

ESPECIFICACIONES

Modelo	DJR143	DJR145	DJR183	DJR185
Longitud de carrera	13 mm			
Carreras por minuto (mín ⁻¹)	0 - 3.000			
Capacidad máxima de corte	Tubería	50 mm		
	Madera	50 mm		
Cartucho de batería estándar	BL1415/BL1415N/BL1430/ BL1430B/BL1440/BL1450/BL1460B		BL1815/BL1815N/BL1820/BL1820B/ BL1830/BL1830B/BL1840/BL1840B/ BL1850/BL1850B/BL1860B	
Longitud total	392 mm (con BL1415/BL1415N)		392 mm (con BL1815/BL1815N/ BL1820/BL1820B)	
	397 mm (con BL1430/BL1430B/ BL1440/BL1450/BL1460B)		398 mm (con BL1830/BL1830B/ BL1840/BL1840B/BL1850/ BL1850B/BL1860B)	
Peso neto	1,5 kg (con BL1415/BL1415N)		1,5 kg (con BL1815/BL1815N/BL1820/ BL1820B)	
	1,7 kg (con BL1430/BL1430B/ BL1440/BL1450/BL1460B)		1,8 kg (con BL1830/BL1830B/BL1840/ BL1840B/BL1850/BL1850B/BL1860B)	
Tensión nominal	CC 14,4V		CC 18V	

- Debido a nuestro programa continuo de investigación y desarrollo, las especificaciones aquí descritas están sujetas a cambios sin previo aviso.
- Las especificaciones y el cartucho de la batería pueden variar de un país a otro.
- Peso, con el cartucho de la batería, de acuerdo con el procedimiento EPTA 01/2003

Uso previsto

ENE020-1

Esta herramienta está diseñada para serrar madera, plástico y materiales ferrosos.

Advertencias de seguridad generales para herramientas eléctricas

GEA010-1

⚠ ADVERTENCIA Lea todas las advertencias de seguridad y todas las instrucciones. La no observancia de las advertencias y las instrucciones puede provocar descargas eléctricas, incendios y/o lesiones graves.

Guarde todas las advertencias e instrucciones para futuras consultas.

ADVERTENCIAS DE SEGURIDAD PARA LA SIERRA RECÍPROCA INALÁMBRICA

GEB048-2

1. **Sujete la herramienta por las superficies de agarre aisladas al realizar una operación en que el accesorio de corte pueda entrar en contacto con cables ocultos.** Si entra en contacto con un cable con corriente, puede que las piezas metálicas expuestas de la herramienta eléctrica se carguen también de corriente y que el operario reciba una descarga.
2. **Utilice mordazas u otros medios de sujeción prácticos para sujetar y apoyar la pieza de trabajo en una plataforma estable.** Si sujeta la pieza de trabajo con la mano o contra el cuerpo, estará inestable y podrá ocasionar la pérdida de control.
3. **Utilice siempre gafas de seguridad. Las gafas normales o de sol NO son gafas de seguridad.**
4. **Evite cortar clavos. Compruebe si hay clavos en la pieza de trabajo y extráigalos antes de empezar a cortar.**

5. No corte piezas de trabajo más grandes de lo especificado.
6. Verifique que haya espacio suficiente más allá de la pieza de trabajo antes de empezar a cortar, de forma que la hoja de sierra no choque contra el suelo, el banco de trabajo, etc.
7. Sujete firmemente la herramienta.
8. Asegúrese de que la hoja de sierra no esté tocando la pieza de trabajo antes de activar el interruptor.
9. Mantenga las manos alejadas de las piezas móviles.
10. No deje la herramienta encendida. Póngala en marcha solamente cuando la tenga en las manos.
11. Apague la herramienta y espere siempre a que la hoja de sierra se haya parado completamente antes de retirarla de la pieza de trabajo.
12. No toque la hoja de sierra ni la pieza de trabajo inmediatamente después de la tarea de corte; pueden estar extremadamente calientes y producir quemaduras en la piel.
13. No utilice la herramienta en vacío innecesariamente.
14. Utilice siempre la mascarilla antipolvo o la mascarilla de respiración adecuadas para el material y la aplicación con que esté trabajando.
15. Algunos materiales contienen sustancias químicas que pueden ser tóxicas. Procure evitar la inhalación de polvo y el contacto con la piel. Siga los datos de seguridad del proveedor del material.

GUARDE ESTAS INSTRUCCIONES.

⚠ ADVERTENCIA:
NO deje que la comodidad o la familiaridad con el producto (a base de utilizarlo repetidamente) sustituya la estricta observancia de las normas de seguridad del producto en cuestión. El MAL USO o la no observancia de las normas de seguridad expuestas en este manual de instrucciones pueden ocasionar graves daños corporales.

INSTRUCCIONES DE SEGURIDAD IMPORTANTES

ENC007-9

PARA EL CARTUCHO DE LA BATERÍA

1. Antes de utilizar el cartucho de la batería, lea todas las instrucciones y referencias de precaución que se encuentran en (1) el cargador de baterías, (2) la batería y (3) el producto que utiliza la batería.
2. No desmonte el cartucho de la batería.
3. Si el tiempo de funcionamiento es excesivamente corto, deje de utilizar la herramienta de inmediato. De lo contrario, existe el riesgo de sobrecalentamiento, quemaduras e incluso explosión.
4. Si se produce contacto ocular con electrolito, enjuáguese los ojos con agua limpia y acuda de

urgencia al médico. Corre el riesgo de perder la visión.

5. No cortocircuite el cartucho de la batería:
 - (1) No toque los terminales con material conductor.
 - (2) Evite guardar el cartucho de la batería en un recipiente con otros objetos metálicos, como clavos, monedas, etc.
 - (3) No exponga el cartucho de la batería al agua o a la lluvia.

Un cortocircuito puede provocar un elevado flujo de corriente, sobrecalentamiento, quemaduras o incluso una avería.
6. No almacene la herramienta ni el cartucho de la batería en lugares donde la temperatura supere los 50 °C (122 °F).
7. No queme el cartucho de la batería aunque esté gravemente dañado o completamente gastado. El cartucho de la batería puede explotar si entra en contacto con fuego.
8. Procure que la batería no sufra golpes ni caídas.
9. No utilice una batería dañada.
10. Siga las normativas locales relativas al desecho de la batería.

GUARDE ESTAS INSTRUCCIONES.

Consejos para conseguir una mayor duración de la batería

1. Cargue la batería antes de que se descargue por completo.
Cuando observe que la herramienta tiene menos potencia, deje de utilizarla y cargue el cartucho de la batería.
2. No recargue nunca un cartucho de batería completamente cargado.
La sobrecarga acorta la vida útil de la batería.
3. Cargue el cartucho de la batería a una temperatura ambiente que oscile entre 10 °C y 40 °C (50 °F - 104 °F). Antes de cargar un cartucho de batería caliente, deje que se enfríe.
4. Cargue el cartucho de la batería si no lo ha utilizado durante un período prolongado (más de seis meses).

DESCRIPCIÓN DEL FUNCIONAMIENTO

- ⚠ PRECAUCIÓN:**
- Antes de ajustar o de comprobar la herramienta, asegúrese siempre de que está apagada y de que la batería ha sido extraída.

Instalación o extracción del cartucho de la batería (Fig. 1)

- ⚠ PRECAUCIÓN:**
- Apague siempre la herramienta antes de instalar o quitar el cartucho de la batería.
 - Sujete la herramienta y el cartucho de la batería firmemente cuando instale o extraiga el cartucho de la batería. Si no sujeta la herramienta y el cartucho

de la batería firmemente, pueden resbalar de sus manos y pueden producirse daños en la herramienta o el cartucho de la batería, así como lesiones personales.

Para quitar el cartucho de la batería, mantenga pulsado el botón de la parte frontal del cartucho y retírelo.

Para instalar el cartucho de la batería, alinee la lengüeta situada en el cartucho de la batería con la ranura del alojamiento e insértela. Insértelo completamente hasta que quede firmemente encajado con un clic. Si puede ver el indicador rojo de la zona superior del botón, significa que el cartucho no está encajado completamente.

⚠ PRECAUCIÓN:

- Instale siempre el cartucho de la batería completamente hasta que el indicador rojo quede oculto. De lo contrario, el cartucho puede desprenderse accidentalmente de la herramienta y causar lesiones al operario o a alguna persona que se encuentre cerca.
- No presione excesivamente el cartucho de la batería para instalarlo. Si el cartucho no entra con suavidad, significa que no lo está instalando correctamente.

Sistema de protección de la batería (batería de iones de litio con una marca de estrella) (Fig. 2)

Las baterías de iones de litio con una marca de estrella están equipadas con un sistema de protección. Este sistema corta automáticamente la alimentación a la herramienta para ampliar la duración de la batería. El funcionamiento de la herramienta se detendrá automáticamente si la herramienta y/o la batería están sometidas a las siguientes condiciones:

- Sobrecarga:

La herramienta se utiliza de una forma que hace que consuma una cantidad anómalamente alta de corriente.

En ese caso, suelte la palanca del interruptor o el interruptor disparador de la herramienta y detenga la aplicación que provocaba que la herramienta se sobrecargara. A continuación, vuelva a accionar la palanca del interruptor o el interruptor disparador para reanudar las operaciones.

Si la herramienta no consigue ponerse en marcha, la batería se ha sobrecalentado. En tal caso, deje que la batería se enfríe antes de volver a accionar la palanca del interruptor o el interruptor disparador.
- Tensión de la batería baja:

La capacidad restante de la batería es demasiado baja y la herramienta no funcionará. En ese caso, extraiga y recargue la batería.

Indicación de la capacidad restante de la batería

(Solo para cartuchos de la batería con "B" al final del número de modelo.) (Fig. 3)

Pulse el botón de comprobación del cartucho de la batería para indicar la capacidad restante de la batería. Las luces indicadoras se encienden durante unos segundos.

Luces indicadoras			Capacidad restante
Iluminada	Apagado	Parpadea	
■	□	◐	75% a 100%
■ ■ ■ ■			
■ ■ ■ □			50% a 75%
■ ■ □ □			25% a 50%
■ □ □ □			0% a 25%
◐ □ □ □			Cargue la batería.
■ ■ □ □		↑ ↓	Es posible que la batería se haya averiado.
□ □ ■ ■			

015658

NOTA:

- En función de las condiciones de uso y de la temperatura ambiente, la indicación puede diferir ligeramente de la capacidad real.

Acción del interruptor disparador

⚠ PRECAUCIÓN:

- Antes de instalar el cartucho de la batería en la herramienta, asegúrese siempre de que la palanca del interruptor o el interruptor disparador funciona como es debido y que vuelve a la posición "OFF" (apagado) al soltarlo. (Fig. 4)

Para evitar que la palanca del interruptor o el interruptor disparador se accione accidentalmente se proporciona una palanca o un botón de bloqueo.

Para poner en marcha la herramienta, simplemente accione la palanca del interruptor o el interruptor disparador.

- Para la palanca del interruptor, tire de la palanca de bloqueo y después tire de la palanca del interruptor para poner en marcha la herramienta.
- Para el interruptor disparador, pulse el botón de bloqueo y después tire del interruptor disparador para poner en marcha la herramienta. El botón de bloqueo se puede pulsar desde el lado derecho o izquierdo.

La velocidad de la herramienta aumenta al incrementar la presión sobre la palanca del interruptor o el interruptor disparador. Suelte la palanca del interruptor o el interruptor disparador para detener la herramienta.

AVISO:

No tire con fuerza de la palanca del interruptor o el interruptor disparador sin presionar la palanca o el botón de bloqueo. Podría romper el interruptor.

Encendido de la lámpara frontal (Fig. 5)

⚠ PRECAUCIÓN:

- No mire hacia la luz ni mire directamente hacia la fuente de lámpara.

Presione la palanca del interruptor o el interruptor disparador para encender la luz. La lámpara permanece

encendida mientras se acciona la palanca del interruptor o el interruptor disparador.

La lámpara se apaga automáticamente entre 10 y 15 segundos después de soltar la palanca del interruptor o el interruptor disparador.

Ajuste de la zapata (Fig. 6)

Cuando la hoja de sierra pierda su eficacia de corte en un lugar a lo largo de su filo cortante, recolóque la zapata para utilizar una parte afilada y sin usar del filo cortante.

Esto ayudará a alargar la vida útil de la hoja de sierra. Para reposicionar la zapata, afloje el perno con la llave hexagonal.

Deslice la zapata hasta la posición deseada y después apriete el perno firmemente.

MONTAJE

⚠ PRECAUCIÓN:

- Asegúrese siempre de apagar la herramienta y extraer el cartucho de la batería antes de intentar realizar cualquier tipo de operación en la herramienta.

Instalación o extracción de la hoja de sierra

⚠ PRECAUCIÓN:

- Elimine siempre todas las virutas o materias extrañas que se hayan quedado adheridas a la hoja de sierra, a la manga de sujeción de la hoja de sierra y/o al deslizador. De lo contrario, quizás no se pueda apretar bien la hoja de sierra y se puedan producir heridas graves.

Para el modelo DJR143, DJR183 (Fig. 7)

Inserte la hoja de sierra recíproca en la manga de sujeción tanto como sea posible. La manga de sujeción de la hoja gira y fija la hoja de sierra. Asegúrese de que no es posible extraer la hoja de sierra incluso si tira de ella.

⚠ PRECAUCIÓN:

- Si no inserta la hoja de sierra lo suficiente, podría ser expulsada de repente durante el funcionamiento. Esto podría ser muy peligroso.

NOTA:

- No puede usar la hoja de sierra de vaivén con DJR143 o DJR183. (Fig. 8)

Para extraer la hoja de sierra, gire completamente la manga de sujeción de la hoja de sierra en la dirección de la flecha. La hoja de sierra se extrae y la manga de sujeción de la hoja de sierra queda fija en la posición suelta.

NOTA:

- Si extrae la hoja de sierra sin girar la manga de sujeción de la hoja completamente, la manga puede no estar fija. En ese caso, gire completamente la manga de sujeción de la hoja de sierra y fijela en la posición suelta.

Para el modelo DJR145, DJR185 (Fig. 9 y 10)

Para instalar la hoja de sierra, afloje el perno con una llave hexagonal.

Cuando instale una hoja de sierra recíproca, presione el perno con la llave hexagonal para abrir la ranura durante la inserción de la hoja. (Fig. 11 y 12)

Puede usar hojas de sierra de vaivén (tipo B) y hojas de sierra recíproca en función de su trabajo. Inserte la hoja de sierra recta en la manga de sujeción y apriétela mediante una llave hexagonal. Tire ligeramente de la hoja de sierra para asegurarse de que no caiga durante el funcionamiento.

Para extraer la hoja de sierra, siga el procedimiento de instalación en orden inverso.

Almacenamiento de la llave hexagonal (Fig. 13)

Cuando no la utilice, guarde la llave hexagonal como se muestra en la figura para evitar que se pierda.

FUNCIONAMIENTO

⚠ PRECAUCIÓN:

- Presione siempre la zapata firmemente contra la pieza de trabajo durante el funcionamiento. Si durante el manejo se separa la zapata de la pieza de trabajo, se pueden producir fuertes vibraciones y/o retorcimientos, con el consecuente riesgo de que la hoja de sierra se parta de forma peligrosa.
- Lleve siempre puestos los guantes para protegerse las manos contra las virutas calientes que saltan al cortar metal.
- Asegúrese de llevar siempre una protección ocular adecuada que cumpla con las normas nacionales actuales.
- Para cortar metal, utilice siempre un líquido refrigerante adecuado (lubricante para corte). De lo contrario, la hoja de sierra puede desgastarse antes de tiempo. (Fig. 14)

Presione la zapata firmemente contra la pieza de trabajo. No permita que la herramienta rebote. Coloque la hoja de sierra de forma que toque ligeramente la pieza de trabajo. Primero, realice una muesca de prueba con una velocidad lenta. A continuación, acelere la velocidad para continuar cortando. (Fig. 15 y 16)

- Puede utilizar la palanca del interruptor o el interruptor disparador en función del trabajo.

NOTA:

- Si la herramienta se utiliza continuamente hasta que el cartucho de la batería se descarga, deje reposar la herramienta durante 15 minutos antes de continuar con una batería cargada.

MANTENIMIENTO

⚠ PRECAUCIÓN:

- Asegúrese de apagar siempre la herramienta y extraer el cartucho de la batería antes de intentar realizar cualquier trabajo de inspección o mantenimiento en ella.
- Nunca utilice gasolina, benceno, disolvente, alcohol o un producto similar. Se puede provocar una decoloración, una deformación o grietas.

Para mantener la SEGURIDAD y la FIABILIDAD del producto, las reparaciones y cualquier otra tarea de mantenimiento o ajuste deberán ser realizadas en centros

de servicio autorizados por Makita, utilizando siempre repuestos Makita.

ENG901-1

ACCESORIOS OPCIONALES

PRECAUCIÓN:

- Se recomienda el uso de estos accesorios o complementos con la herramienta Makita especificada en este manual. El uso de otros accesorios o complementos puede conllevar el riesgo de ocasionar daños corporales. Utilice los accesorios o complementos solamente para su fin establecido.

Si necesita cualquier ayuda para obtener más información relativa a estos accesorios, pregunte a su centro de servicio Makita local.

- Hojas de sierra recíproca
- Hojas de sierra de vaivén (solo para el modelo DJR145, DJR185)
- Batería y cargador originales de Makita

NOTA:

- Algunos elementos de la lista se pueden incluir en el paquete de la herramienta como accesorios estándar. Pueden ser diferentes de un país a otro.

Ruido

ENG905-1

Niveles típicos de ruido ponderado A determinados conforme a EN60745:

Modelo DJR143, DJR185

Nivel de presión de sonido (L_{pA}): 76 dB (A)
Incertidumbre (K): 3 dB (A)

El nivel de ruido durante el trabajo puede superar los 80 dB (A).

Modelo DJR145, DJR183

Nivel de presión de sonido (L_{pA}): 77 dB (A)
Incertidumbre (K): 3 dB (A)

El nivel de ruido durante el trabajo puede superar los 80 dB (A).

Utilice protección para los oídos.

Vibración

ENG900-1

Valor total de la vibración (suma de vectores triaxiales) determinado según el estándar EN60745:

Modelo DJR143, DJR145

Modo de trabajo: corte de tablas
Emisión de vibraciones ($a_{h, B}$): 7,0 m/s²
Incertidumbre (K): 1,5 m/s²

Modo de trabajo: corte de piezas de madera
Emisión de vibraciones ($a_{h, WB}$): 7,0 m/s²
Incertidumbre (K): 1,5 m/s²

Modelo DJR183, DJR185

Modo de trabajo: corte de tablas
Emisión de vibraciones ($a_{h, B}$): 8,0 m/s²
Incertidumbre (K): 1,5 m/s²

Modo de trabajo: corte de piezas de madera
Emisión de vibraciones ($a_{h, WB}$): 7,0 m/s²
Incertidumbre (K): 1,5 m/s²

- El valor de emisión de vibraciones se ha medido de acuerdo con el método de prueba estándar y se puede utilizar para comparar herramientas.
- El valor de emisión de vibraciones declarado también se puede usar en una evaluación preliminar de la exposición.

ADVERTENCIA:

- La emisión de vibraciones durante el uso de la herramienta eléctrica puede diferir del valor de emisiones declarado, dependiendo de las formas en que se utiliza la herramienta.
- Asegúrese de identificar las mediciones correctas para proteger al operario, que se basan en una estimación de la exposición en condiciones de uso reales (teniendo en cuenta todas las partes del ciclo de operaciones, como los momentos en los que la herramienta está apagada y cuando funciona al ralentí además del tiempo en que está activado el interruptor).

Solo para países europeos

ENH101-17

Declaración de conformidad de la CE

Makita declara que las siguientes máquinas:

Designación de la máquina:

Sierra Recíproca Inalámbrica

Nº de modelo/Tipo: DJR143, DJR145, DJR183, DJR185

Cumplen con las siguientes Directivas europeas:
2006/42/CE

Se han fabricado de acuerdo con los siguientes estándares o documentos estandarizados:
EN60745

El archivo técnico de acuerdo con 2006/42/CE está disponible en:

Makita, Jan-Baptist Vinkstraat 2, 3070, Bélgica

31. 12. 2013



Yasushi Fukaya
Director

Makita, Jan-Baptist Vinkstraat 2, 3070, Bélgica

PORTUGUÊS (Instruções de origem)

Descrição geral

1. Indicador vermelho	9. Alavanca do interruptor	17. Lâmina
2. Botão	10. Gatilho	18. Parafuso
3. Bateria	11. Luz	19. Apertar
4. Marca de estrela	12. Chave sextavada	20. Orifício para lâmina de serra sabre
5. Lâmpadas indicadoras	13. Parafuso sextavado	21. Grampo da lâmina
6. Botão de verificação	14. Desapertar	22. Orifício para lâmina tico tico
7. Botão de bloqueio	15. Lâmina de serra sabre	23. Protrusão
8. Alavanca de bloqueio	16. Manga do grampo da lâmina	

ESPECIFICAÇÕES

Modelo	DJR143	DJR145	DJR183	DJR185
Comprimento do corte	13 mm			
Cortes por minuto (min ⁻¹)	0 - 3.000			
Capacidades máximas de corte	tubo	50 mm		
	Madeira	50 mm		
Bateria padrão	BL1415/BL1415N/BL1430/ BL1430B/BL1440/BL1450/BL1460B		BL1815/BL1815N/BL1820/BL1820B/ BL1830/BL1830B/BL1840/BL1840B/ BL1850/BL1850B/BL1860B	
Comprimento total	392 mm (com BL1415/BL1415N)		392 mm (com BL1815/BL1815N/ BL1820/BL1820B)	
	397 mm (com BL1430/BL1430B/ BL1440/BL1450/BL1460B)		398 mm (com BL1830/BL1830B/ BL1840/BL1840B/BL1850/ BL1850B/BL1860B)	
Peso líquido	1,5 kg (com BL1415/BL1415N)		1,5 kg (com BL1815/BL1815N/ BL1820/BL1820B)	
	1,7 kg (com BL1430/BL1430B/ BL1440/BL1450/BL1460B)		1,8 kg (com BL1830/BL1830B/BL1840/ BL1840B/BL1850/BL1850B/BL1860B)	
Tensão nominal	C.C. 14,4V		C.C. 18V	

- Devido à pesquisa e desenvolvimento constantes, estas especificações estão sujeitas a alteração sem aviso prévio.
- As especificações e o cartucho da bateria podem ser diferentes consoante o país.
- Peso, com a bateria, de acordo com o procedimento EPTA de 01/2003

Utilização prevista ENE020-1

A ferramenta destina-se a serrar madeira, plástico e materiais metálicos.

Avisos gerais de segurança para ferramentas eléctricas GEA010-1

⚠ AVISO Leia todos os avisos de segurança e todas as instruções. O não cumprimento dos avisos e instruções pode resultar na ocorrência de choques eléctricos, incêndios e/ou ferimentos graves.

Guarde todos os avisos e instruções para referência futura.

AVISOS DE SEGURANÇA PARA A SERRA SABRE A BATERIA GEB048-2

1. Quando executar operações em que a máquina de corte possa entrar em contacto com fios eléctricos ocultos, tenha o cuidado de tocar apenas nas superfícies isoladas da máquina. O acessório de corte em contacto com um fio eléctrico ligado à corrente pode electrificar as peças de metal da ferramenta e provocar um choque.
2. **Utilize grampos ou outra forma prática de fixar e suportar a peça de trabalho a uma plataforma estável.** Segurar a peça com a mão ou contra o corpo deixa-a instável e poderá provocar a perda de controlo.
3. **Use sempre óculos de protecção. Os óculos normais ou óculos de sol NÃO são óculos de segurança.**
4. **Evite cortar pregos. Inspeccione a peça de trabalho para a existência de pregos e remova-os antes de efectuar a operação.**
5. **Não corte uma peça de trabalho com um tamanho excessivo.**
6. **Verifique se existe uma distância adequada para lá da peça de trabalho antes de cortar, de forma a que a lâmina não embata no chão, bancada de trabalho, etc.**
7. **Segure bem na ferramenta.**
8. **Certifique-se de que a lâmina não está em contacto com a peça de trabalho antes de ligar o interruptor.**
9. **Afaste as mãos das peças em movimento.**

10. Não abandone a ferramenta a funcionar. Ponha-a a funcionar apenas quando estiver a segurá-la.
 11. Desligue sempre e aguarde que a lâmina pare completamente antes de remover a lâmina da peça de trabalho.
 12. Não toque numa lâmina ou no material em que tiver estado a trabalhar logo após a operação porque podem estar demasiado quentes.
 13. Não utilize a ferramenta sem carga, sem ser necessário.
 14. Use sempre a máscara contra o pó/respirador correctos para o material e aplicação em que está a trabalhar.
 15. Alguns materiais contêm químicos que podem ser tóxicos. Tenha cuidado para evitar a inalação e o contacto da pele com o pó produzido. Obedeça às instruções de segurança do fornecedor do material.
7. Não incinere a bateria, nem mesmo se esta estiver irremediavelmente danificada ou completamente gasta. Pode explodir num incêndio.
 8. Não a deixe cair e evite o choque com outros objectos.
 9. Não utilize uma bateria danificada.
 10. Siga os regulamentos locais relacionados com a eliminação da bateria.

GUARDE ESTAS INSTRUÇÕES.

Sugestões para o máximo de tempo de vida da bateria

1. Não espere que a bateria se gaste completamente para voltar a carregá-la.
Pare a ferramenta e carregue a bateria sempre que detectar um baixo nível de energia.
2. Nunca volte a carregar uma bateria já completamente carregada.
O carregamento excessivo diminui o tempo de vida das baterias.
3. Carregue a bateria em locais onde a temperatura se situe entre 10°C e 40°C (50°F - 104°F). Se a bateria estiver quente, deixe-a arrefecer antes de iniciar o carregamento.
4. Carregue a bateria em caso de inatividade durante um longo período de tempo (mais de seis meses).

GUARDE ESTAS INSTRUÇÕES.

⚠ AVISO:

NÃO deixe que o conforto ou familiaridade com o produto (obtida de uma utilização regular) substituam um cumprimento severo das regras de segurança do produto em causa. Uma UTILIZAÇÃO INCORRECTA ou não cumprimento das regras de segurança indicadas neste manual de instruções podem provocar ferimentos pessoais sérios.

INSTRUÇÕES DE SEGURANÇA IMPORTANTES

ENC007-9

RELATIVAS À BATERIA

1. Antes de utilizar a bateria, leias as instruções e chamadas de atenção sobre: (1) o carregador da bateria, (2) a bateria e (3) o produto que utiliza a bateria.
2. Não desmonte a bateria.
3. Se o tempo de utilização com a bateria se tornar demasiado curto, deve parar imediatamente. Se continuar, pode causar sobreaquecimento, incêndio e mesmo explosão.
4. Se o electrólito entrar em contacto com os olhos, enxágue-os com água limpa e consulte imediatamente um médico. Os riscos incluem perda de visão.
5. Não provoque um curto-circuito na bateria:
 - (1) Não deixe que quaisquer materiais condutores entrem em contacto com os terminais da bateria.
 - (2) Evite guardar a bateria juntamente com outros objectos de metal como pregos, moedas, etc.
 - (3) Não exponha a bateria a água ou chuva. Um curto-circuito na bateria pode criar uma grande carga eléctrica, sobreaquecimento, possíveis queimaduras e mesmo uma avaria.
6. Não guarde a ferramenta e a bateria em locais onde a temperatura possa atingir ou exceder 50°C (122°F).

DESCRIÇÃO DO FUNCIONAMENTO

⚠ PRECAUÇÃO:

- Certifique-se sempre de que a ferramenta está desligada e que a bateria foi removida antes de proceder a ajustes ou testar acessórios.

Instalar ou retirar a bateria (Fig. 1)

⚠ PRECAUÇÃO:

- Desligue sempre a ferramenta antes de colocar ou remover a bateria.
- **Segure bem a ferramenta e a bateria quando instalar ou retirar a bateria.** Se não segurar bem a ferramenta e a bateria, pode fazer com que caiam das mãos e provoquem danos na ferramenta e na bateria e ferimentos pessoais.

Para retirar a bateria, mantenha premido o botão na frente da bateria e puxe.

Para colocar a bateria, alinhe a respectiva saliência com a calha do compartimento e encaixe-a suavemente. Insira-a completamente até fixar em posição com um clique. Se ainda estiver visível o indicador vermelho na parte superior do botão, não estará bem encaixado.

⚠ PRECAUÇÃO:

- Coloque sempre completamente a bateria até deixar de ver o indicador vermelho. Caso contrário, pode cair da ferramenta e causar ferimentos em si, ou em alguém que esteja perto de si.
- Não instale a bateria forçosamente. Se não encaixar facilmente é porque não está correctamente posicionada.

Sistema de protecção da bateria (Bateria de íões de lítio com uma marca de estrela) (Fig. 2)

As baterias de íões de lítio com uma marca de estrela estão equipadas com um sistema de protecção. Este sistema corta automaticamente a alimentação para prolongar a vida útil da bateria.









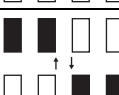
A ferramenta pára automaticamente durante o funcionamento quando a ferramenta e/ou bateria são colocadas numa das condições seguintes:

- **Sobrecarregada:**
A ferramenta é utilizada de tal forma que atrai uma corrente involuntariamente alta.
Nesta situação, solte o gatilho/alavanca do interruptor da ferramenta e pare a aplicação que causou a sobrecarga. De seguida, prima novamente o gatilho/alavanca do interruptor para reiniciar. Se a ferramenta não ligar, a bateria está sobreaquecida. Nesta situação, deixe a bateria arrefecer antes de premir novamente o gatilho/alavanca do interruptor.
- **Tensão baixa da bateria:**
A carga restante da bateria é demasiado baixa e a ferramenta não funciona. Nesta situação, retire e recarregue a bateria.

Indicar a carga restante da bateria

(Apenas para baterias com "B" no final do número de modelo.) (Fig. 3)

Prima o botão de verificação na bateria para indicar a carga restante da bateria. As lâmpadas indicadoras acendem-se durante alguns segundos.

Lâmpadas indicadoras			Carga restante
 Acesa	 Apagada	 Intermitente	
			75% a 100%
			50% a 75%
			25% a 50%
			0% a 25%
			Carregue a bateria.
			A bateria pode ter avariado.

015658

NOTA:

- Consoante as condições de utilização e a temperatura ambiente, a indicação pode ser ligeiramente diferente da carga real.

Ação do interruptor

⚠ PRECAUÇÃO:

- Antes de colocar a bateria na ferramenta, verifique se o gatilho/alavanca do interruptor está a funcionar correctamente e se regressa à posição "OFF" quando o solta. (Fig. 4)

Para evitar que o gatilho/alavanca do interruptor seja acidentalmente puxado, é fornecido um botão/alavanca de bloqueio.

Para pôr a ferramenta a funcionar, puxe a alavanca do interruptor ou o gatilho.

- Para a alavanca do interruptor, puxe a alavanca de bloqueio e, de seguida, puxe a alavanca do interruptor para ligar a ferramenta.
- Para o gatilho, pressione o botão de bloqueio e, de seguida, puxe o gatilho para ligar a ferramenta. O botão de bloqueio pode ser premido a partir do lado direito ou esquerdo.

A velocidade da ferramenta aumenta com a pressão exercida no gatilho/alavanca do interruptor. Para parar a ferramenta, solte o gatilho/alavanca do interruptor.

ATENÇÃO:

Não puxe com força o gatilho/alavanca do interruptor sem puxar a alavanca/botão de bloqueio. Isto poderá quebrar o interruptor.

A luz incorporada na ferramenta (Fig. 5)

⚠ PRECAUÇÃO:

- Não olhe directamente para a luz da ferramenta. Para a acender prima o gatilho/alavanca do interruptor. A lâmpada manter-se-á acesa enquanto o gatilho/alavanca do interruptor for premido.

10 a 15 segundos depois de o gatilho/alavanca do interruptor ser solto, a luz apaga-se automaticamente.

Ajustar a sapata (Fig. 6)

Quando a lâmina perde a eficiência de corte num local ao longo da extremidade de corte, reposicione a sapata para utilizar uma parte afiada e não utilizada da extremidade de corte. Isto ajudará a prolongar a vida da lâmina.

Para reposicionar a sapata, desaperte o parafuso com a chave sextavada.

Deslize a sapata para a posição pretendida e, de seguida, aperte bem o parafuso.

MONTAGEM

⚠ PRECAUÇÃO:

- Certifique-se sempre de que a ferramenta está desligada e a bateria removida, antes de efectuar qualquer operação na ferramenta.

Instalar ou remover a lâmina

⚠ PRECAUÇÃO:

- Limpe sempre quaisquer aparas ou material estranho que esteja colado à lâmina, grampo da lâmina e/ou carril. Se não o fizer, a lâmina poderá ficar insuficientemente apertada, resultando em ferimentos graves.

Para os modelos DJR143, DJR183 (Fig. 7)

Introduza a lâmina de serra sabre ao máximo no grampo da lâmina. A manga de grampo da lâmina roda e fixa a lâmina. Certifique-se de que a lâmina não pode ser retirada, mesmo que a tente puxar para fora.

PRECAUÇÃO:

- Se não introduzir a lâmina suficientemente para dentro, a lâmina poderá saltar inesperadamente durante o funcionamento. Isto pode ser extremamente perigoso.

NOTA:

- Não pode usar a lâmina tico tico com DJR143 ou DJR183. (Fig. 8)

Para remover a lâmina, rode totalmente a manga de grampo da lâmina na direcção da seta. A lâmina é removida e a manga de grampo da lâmina fica fixa na posição de libertada.

NOTA:

- Se retirar a lâmina sem rodar a manga de grampo da lâmina completamente, a manga não fica fixa. Neste caso, rode a manga de grampo da lâmina completamente e fixe a manga na posição de libertada.

Para os modelos DJR145, DJR185 (Fig. 9 & 10)

Para montar a lâmina de serra, solte o parafuso utilizando uma chave sextavada.

Ao instalar uma lâmina de serra sabre, pressione o parafuso com a chave sextavada para abrir a ranhura durante a inserção da lâmina. (Fig. 11 & 12)

Pode utilizar lâminas de serra tico tico (tipo B) e sabre, de acordo com o trabalho a efectuar. Introduza a lâmina directamente no grampo da lâmina e aperte com uma chave sextavada. Puxe ligeiramente a lâmina para se certificar de que a lâmina não cai durante a utilização. Para remover a lâmina, siga o procedimento inverso de instalação.

Armazenamento da chave sextavada (Fig. 13)

Quando não estiver a ser utilizada, guarde a chave sextavada tal como indicado na ilustração, para evitar que se perca.

FUNCIONAMENTO

PRECAUÇÃO:

- Prima sempre firmemente a sapata contra a peça de trabalho durante o funcionamento. Se a sapata for mantida longe da peça de trabalho durante o funcionamento, ocorrerão vibrações e/ou torções, fazendo com que a lâmina salte perigosamente.
- Use sempre luvas para proteger as mãos contra as aparas quentes projectadas quando cortar metal.
- Certifique-se sempre de que usa protecção adequada para os olhos, que está em conformidade com as normas nacionais.
- Utilize sempre refrigerante (óleo de corte) adequado quando cortar metal. Se não o fizer poderá desgastar prematuramente a lâmina. (Fig. 14)

Prima firmemente a sapata contra a peça de trabalho. Não permita que a ferramenta ressalte. Coloque a lâmina de serra em ligeiro contacto com a peça de trabalho. Em

primeiro lugar, faça uma ranhura piloto utilizando uma velocidade mais lenta. De seguida, utilize uma velocidade mais rápida para continuar a cortar. (Fig. 15 & 16)

- Pode utilizar a alavanca do interruptor ou o gatilho, consoante o trabalho a efectuar.

NOTA:

- Se mantiver a ferramenta a funcionar ininterruptamente até a bateria se gastar completamente, deixe-a em repouso durante 15 minutos antes de substituir a bateria.

MANUTENÇÃO

PRECAUÇÃO:

- Certifique-se sempre de que a ferramenta está desligada e a bateria removida antes de efectuar operações de inspecção ou de manutenção.
- Nunca utilize gasolina, benzina, diluente, álcool ou semelhante. Podem formar-se descolorações, deformações ou fissuras.

Para manter os níveis de SEGURANÇA e FIABILIDADE definidos para este produto, as reparações e os procedimentos de manutenção ou ajustes devem ser executados por centros de assistência Makita autorizados, utilizando sempre peças de substituição Makita.

ACESSÓRIOS OPCIONAIS

PRECAUÇÃO:

- Os seguintes acessórios ou extensões são os recomendados para utilizar com a ferramenta Makita especificada neste manual. A utilização de quaisquer outros acessórios poderá representar um risco de ferimento para as pessoas. Apenas utilize o acessório para o fim indicado.

Se precisar de informações adicionais relativas aos acessórios, contacte o centro local de assistência Makita.

- Lâminas de serra sabre
- Lâminas tico tico (apenas para os modelos DJR145, DJR185)
- Bateria e carregador genuínos da Makita

NOTA:

- Alguns itens na lista podem estar incluídos no pacote de ferramentas como acessórios de série. Podem diferir de país para país.

Ruído

ENG905-1

O nível de ruído ponderado A típico determinado, de acordo com EN60745:

Modelos DJR143, DJR185

Nível de pressão sonora (L_{pA}): 76 dB (A)

Incerteza (K): 3 dB (A)

O nível de ruído quando em funcionamento pode exceder os 80 dB (A).

Modelos DJR145, DJR183

Nível de pressão sonora (L_{pA}): 77 dB (A)

Incerteza (K): 3 dB (A)

O nível de ruído quando em funcionamento pode exceder os 80 dB (A).

Use protecção ocular.

Vibração

O valor total de vibração (soma vector triaxial) determinado, de acordo com EN60745:

ENG900-1

O ficheiro técnico em conformidade com a norma 2006/42/EC está disponível a partir de:
Makita, Jan-Baptist Vinkstraat 2, 3070, Bélgica

Modelos DJR143, DJR145

Modo de trabalho: cortar placas

Emissão de vibração ($a_{h, B}$): 7,0 m/s²

Incerteza (K): 1,5 m/s²

Modo de trabalho: cortar traves de madeira

Emissão de vibração ($a_{h, WB}$): 7,0 m/s²

Incerteza (K): 1,5 m/s²

Modelos DJR183, DJR185

Modo de trabalho: cortar placas

Emissão de vibração ($a_{h, B}$): 8,0 m/s²

Incerteza (K): 1,5 m/s²

Modo de trabalho: cortar traves de madeira

Emissão de vibração ($a_{h, WB}$): 7,0 m/s²

Incerteza (K): 1,5 m/s²

ENG901-1

- O valor da emissão de vibração declarado foi medido de acordo com o método de teste padrão e pode ser utilizado para comparar uma ferramenta com outra.
- O valor da emissão de vibração declarado pode também ser utilizado numa avaliação preliminar de exposição.



AVISO:

- A emissão de vibração durante a utilização real da ferramenta eléctrica pode ser diferente do valor de emissão declarado, dependendo da forma como a ferramenta é utilizada.
- Certifique-se de que identifica medidas de segurança, para proteger o operador, que são baseadas numa estimativa de exposição nas condições reais de utilização (tendo em conta todas as partes do ciclo de funcionamento, como as vezes que a ferramenta é desligada e quando está a trabalhar ao ralenti, além do tempo de utilização).

Apenas para países europeus

ENH101-17

Declaração de conformidade CE

A Makita declara que as máquinas:

Designação da máquina:

Serra Sabre a Bateria

Nº/Tipo de modelo: DJR143, DJR145, DJR183, DJR185

Estão em conformidade com as directivas europeias seguintes:

2006/42/EC

São fabricadas de acordo com as normas e documentos padronizados seguintes:

EN60745

31. 12. 2013

Yasushi Fukaya

Director

Makita, Jan-Baptist Vinkstraat 2, 3070, Bélgica

DANSK (Originalvejledning)

Forklaring til generel oversigt

- | | | |
|---------------------|-----------------------------|------------------------------|
| 1. Rød indikator | 9. Kontaktgreb | 17. Savklinge |
| 2. Knap | 10. Afbryderkontakt | 18. Bolt |
| 3. Batteripakke | 11. Lampe | 19. Stram |
| 4. Stjernemærkning | 12. Unbrakonøgle | 20. Hul til bajonetsavklinge |
| 5. Indikatorlamper | 13. Sekskantbolt | 21. Klingefastholder |
| 6. Kontrolknap | 14. Løsn | 22. Hul til stiksavklinge |
| 7. Afblåseknap | 15. Bajonetsavklinge | 23. Fremspring |
| 8. Afblåsemekanisme | 16. Klingefastholderbøsning | |

SPECIFIKATIONER


Model	DJR143	DJR145	DJR183	DJR185
Længde på snit	13 mm			
Snit pr. minut (min ⁻¹)	0 - 3.000			
Maksimal skærekapacitet	Rør	50 mm		
	Træ	50 mm		
Standard batteripakke	BL1415/BL1415N/BL1430/ BL1430B/BL1440/BL1450/BL1460B		BL1815/BL1815N/BL1820/BL1820B/ BL1830/BL1830B/BL1840/BL1840B/ BL1850/BL1850B/BL1860B	
Længde i alt	392 mm (med BL1415/BL1415N)		392 mm (med BL1815/BL1815N/ BL1820/BL1820B)	
	397 mm (med BL1430/BL1430B/ BL1440/BL1450/BL1460B)		398 mm (med BL1830/BL1830B/ BL1840/BL1840B/BL1850/ BL1850B/BL1860B)	
Nettovægt	1,5 kg (med BL1415/BL1415N)		1,5 kg (med BL1815/BL1815N/ BL1820/BL1820B)	
	1,7 kg (med BL1430/BL1430B/ BL1440/BL1450/BL1460B)		1,8 kg (med BL1830/BL1830B/ BL1840/BL1840B/BL1850/ BL1850B/BL1860B)	
Nominal spænding	14,4V jævnstrøm		18V jævnstrøm	

- På grund af vores løbende forsknings- og udviklingsprogram kan specifikationerne heri ændres uden forudgående varsel.
- Specifikationerne og batteripakken kan variere fra land til land.
- Vægt, inklusive batteripakken, i henhold til EPTA-Procedure 01/2003

Tilsigtet anvendelse ENE020-1

Denne maskine er beregnet til savning i træ, plastik og jernholdige materialer.

Generelle sikkerhedsadvarsler for maskiner GEA010-1

 **ADVARSEL** Læs alle sikkerhedsadvarsler og alle instruktioner. Hvis De ikke følger alle advarsler og instruktioner, kan det medføre elektrisk stød, brand og/eller alvorlig personskade.

Gem alle advarsler og instruktioner til senere reference.

SIKKERHEDSADVARSLER FOR LEDNINGSFRI BAJONETSAV GEB048-2

1. Hold maskiner i de isolerede gribeblader, når du udfører arbejde, hvor skæretilbehøret kan komme i kontakt med skjulte ledninger. Hvis det skærende

tilbehør kommer i kontakt med en strømførende ledning, kan udsatte metaldele på maskinen blive strømførende, hvorved operatøren kan få elektrisk stød.

2. Anvend skruetvinger eller en anden praktisk metode til at fastgøre og understøtte arbejdsemnet på et solidt underlag. Hvis De holder emnet i hånden eller mod kroppen, bliver det ustabil, så De risikerer at miste kontrollen.
3. Anvend altid beskyttelsesbriller eller sikkerhedsbriller. Almindelige briller eller solbriller er IKKE beskyttelsesbriller.
4. Undgå at skære i søm. Kontroller arbejdsemnet for søm, og fjern dem før savningen.
5. Sav ikke i for store emner.
6. Kontroller, at der er tilstrækkeligt fri plads bag arbejdsemnet, før De saver, så klingens rammer gulvet, arbejdsbænken osv.
7. Hold godt fast i værktøjet.
8. Sørg for, at klingens ikke har kontakt med arbejdsemnet, før der tændes på kontakten.
9. Hold hænderne på afstand af bevægelige dele.

- Gå ikke fra værktøjet, mens det kører. Lad kun værktøjet køre, mens De holder det i hænderne.
- Sluk altid for værktøjet, og vent, til klingen er helt i ro, før De løfter klingen fra arbejdsemnet.
- Berør ikke klingens eller arbejdsemnets umiddelbart efter brugen. De kan være meget varme og kan forårsage forbrændinger af huden.
- Lad ikke værktøjet køre unødvendigt uden belastning.
- Anvend altid korrekt støvmaske/ åndedrætsbeskyttelse til det materiale og formål, De arbejder med.
- Nogle materialer indeholder kemikalier, som kan være giftige. Undgå at indånde støv eller at få det på huden. Følg sikkerhedsinstruktionerne fra leverandøren af materialerne.

GEM DISSE INSTRUKTIONER.

ADVARSEL:

LAD IKKE tryghed eller kendskab til produktet (fra gentagen brug) føre til, at du ikke strengt overholder sikkerhedsreglerne for det gældende produkt. MISBRUG eller manglende overholdelse af sikkerhedsreglerne i denne brugsanvisning kan medføre alvorlig personskade.

VIGTIGE SIKKERHEDSINSTRUKTIONER

ENC007-9

FOR BATTERIPAKKEN

- Før brugen af batteripakken skal du læse alle instruktioner og advarsler på (1) batteriopladeren, (2) batteriet og (3) det produkt, som batteriet anvendes i.
- Skil ikke batteripakken ad.
- Hvis driftstiden bliver betydeligt kortere, skal du straks ophøre med brugen. Brug kan medføre risiko for overophedning, risiko for forbrændinger eller endog eksplosion.
- Hvis du får elektrolyt i øjnene, skal du med det samme rense øjnene med rent vand og søge læge. Dette kan medføre tab af synet.
- Kortslut ikke batteripakken:
 - Undgå at røre ved terminalerne med ledende materiale.
 - Undgå at opbevare batteripakken i en beholder med andre metalgenstande som f.eks. søm, mønter osv.
 - Udsæt ikke batteripakken for vand eller regn. Hvis batteriet kortsluttes, kan det medføre voldsom strøm, overophedning, mulige forbrændinger og endog nedbrud.
- Undgå at opbevare værktøjet og batteripakken på steder, hvor temperaturen kan komme op på eller overstige 50°C.
- Sæt ikke ild til batteripakken, selvom den er alvorligt beskadiget eller helt udtjent. Batteripakken kan eksplodere ved brand.
- Undgå at tabe eller slå på batteriet.
- Undlad brug af et beskadiget batteri.

- Følg de lokale bestemmelser med hensyn til bortskaffelse af batteri.

GEM DISSE INSTRUKTIONER.

Tips til, hvordan du forlænger batteriets levetid

- Oplad batteripakken, før den bliver helt afladet. Ophør med at bruge værktøjet, og udskift batteripakken, hvis strømmen til værktøjet aftager.
- Oplad aldrig en fuldt opladet batteripakke. Overopladning forkorter batteriets levetid.
- Oplad batteripakken ved stuetemperatur på 10°C - 40°C. Lad batteripakken køle ned før den oplades, hvis den er varm.
- Oplad batteripakken, hvis du ikke skal anvende den i en længere periode (mere end seks måneder).

FUNKTIONSBESKRIVELSE

FORSIGTIG:

- Sørg altid for, at maskinen er slukket, og at batteripakken er taget ud, før du justerer maskinen eller kontrollerer dens funktion.

Montering eller afmontering af batteripakke (Fig. 1)

FORSIGTIG:

- Sluk altid for maskinen inden batteripakken monteres eller afmonteres.
- Hold godt fast i maskinen og batteripakken, når du monterer eller afmonterer batteripakken. Hvis maskinen og batteripakken ikke holdes ordentligt fast, kan de glide ud af hænderne og resultere i skader på maskinen og batteripakken samt personskade.

Afmonter batteripakken ved at holde ned på knappen foran på batteripakken og skubbe den af maskinen. Ved montering af batteripakken justeres tungen på batteripakken med rillen i huset, hvorefter pakken skubbes ind på plads. Sæt den hele vejen ind, indtil den låses på plads med et lille klik. Hvis den røde indikator øverst på knappen er synlig, er batteripakken ikke låst helt fast.

FORSIGTIG:

- Sæt altid batteripakken helt ind, indtil den røde indikator ikke er synlig. Ellers kan den falde ud af maskinen og skade dig eller andre personer i nærheden.
- Anvend ikke kræfter ved monteringen af batteripakken. Hvis den ikke glider let ind, er den ikke indsat korrekt.

Batteribeskyttelsessystem (lithium-ion-batteri med stjernemærkning) (Fig. 2)

Lithium-ion-batterier med en stjernemærkning er udstyret med et beskyttelsessystem. Dette system slukker automatisk for strømmen til maskinen for at forlænge batterilevetiden.

Maskinen stopper automatisk under betjeningen, hvis maskinen og/eller batteriet udsættes for en af de følgende situationer:

- **Overbelastning:**
Maskinen anvendes på en sådan måde, at det får den til at bruge unormalt meget strøm.
I denne situation skal du slippe kontaktgrebet/afbryderkontakten på maskinen og stoppe den anvendelse, som gjorde maskinen overbelastet. Tryk derefter ind på kontaktgrebet/afbryderkontakten for starte igen.
Hvis maskinen ikke starter, er batteriet overbelastet. I denne situation skal du lade batteriet køle af, inden du trykker ind på kontaktgrebet/afbryderkontakten igen.
- **Lav batterispænding:**
Den resterende batterikapacitet er for lav, og maskinen kan ikke køre. I denne situation skal du afmontere og oplade batteriet.

Angivelse af den resterende batterikapacitet

(Kun for batteripakker med "B" til sidst i modelnummeret.) (Fig. 3)

Tryk på kontrolknappen på batteripakken for at få angivet den resterende batterikapacitet. Indikatorlamperne lyser i nogle få sekunder.

Indikatorlamper			Resterende kapacitet
Tændt	Slukket	Blinker	
■ ■ ■ ■			75% til 100%
■ ■ ■ □			50% til 75%
■ ■ □ □			25% til 50%
■ □ □ □			0% til 25%
◐ □ □ □			Oplad batteriet.
■ ■ □ □	↑ ↓	■ ■	Der opstod muligvis funktionsfejl på batteriet.

015658

BEMÆRK:

- Afhængigt af anvendelsesforholdene og den omgivende temperatur, kan angivelsen muligvis afvige en smule fra den egentlige kapacitet.

Betjening af kontakt

⚠ FORSIGTIG:

- Før batteripakken sættes i maskinen, skal du altid kontrollere, at kontaktgrebet/afbryderkontakten reagerer korrekt og vender tilbage til "OFF"-stillingen, når det/den slippes. (Fig. 4)

En aflåsemekanisme/-knap forhindrer, at kontaktgrebet/afbryderkontakten trykkes ind ved et uheld.

For at starte maskinen skal du trykke på kontaktgrebet eller afbryderkontakten.

- Ved brug af kontaktgrebet trækkes først i aflåsemekanismen, hvorefter du trykker på kontaktgrebet for at starte maskinen.
- Ved brug af afbryderkontakten skal aflåseknappen først trykkes ned, hvorefter du trykker på afbryderkontakten for at starte maskinen. Der kan trykkes på aflåseknappen fra både højre og venstre. Maskinens hastighed forøges ved at trykke hårdere på kontaktgrebet/afbryderkontakten. Slip kontaktgrebet/afbryderkontakten for at stoppe.

BEMÆRK:

Tryk ikke hårdt på kontaktgrebet/afbryderkontakten uden at trykke på aflåsemekanismen/-knappen. Dette kan ødelægge kontakten.

Tænding af lampen (Fig. 5)

⚠ FORSIGTIG:

- Se ikke direkte ind i lyset eller lyskilden.
- Tryk på kontaktgrebet/afbryderkontakten for at tænde lampen. Lampen forbliver tændt, så længe der trykkes på kontaktgrebet/afbryderkontakten.
- Lampen slukkes automatisk 10-15 sekunder efter, at kontaktgrebet/afbryderkontakten slippes.

Justering af føringsanslaget (Fig. 6)

Når klingingen mister dens saveeffektivitet på ét sted langs dens æg, skal du omplacere føringsanslaget for at udnytte en skarp ubenyttet del af dens æg. Dette er med til at forlænge klingens levetid.

For at omplacere føringsanslaget skal du løsne boltene med unbrakonøglen.

Skub føringsanslaget ind på den ønskede position og stram derefter boltene ordentligt til.

MONTERING

⚠ FORSIGTIG:

- Sørg altid for, at maskinen er slukket, og at batteripakken er taget ud, før du udfører nogen form for arbejde på maskinen.

Montering eller afmontering af savklingen

⚠ FORSIGTIG:

- Fjern altid alle spåner eller fremmedlegemer fra klingingen, klingefastholderen og/eller glideren. Hvis du ikke gør dette, strammes klingingen muligvis ikke ordentligt fast, hvilket kan medføre alvorlig personskade.

For Model DJR143, DJR183 (Fig. 7)

Sæt bajonetsavklingen så langt ind i klingefastholderen, som den kan komme. Klingefastholderbøsningen drejer og fastholder savklingen. Sørg for, at savklingen sidder helt fast, selv om du forsøger at trække den ud.

⚠ FORSIGTIG:

- Hvis du ikke ind sætter savklingen dybt nok, kan savklingen pludselig blive skubbet ud under anvendelsen. Dette kan være ekstremt farligt.

BEMÆRK:

- Du kan ikke anvende stiksavklingen med DJR143 eller DJR183. (Fig. 8)

For at afmontere savklingen drejes klingefastholderbøsningen hele vejen i pilens retning. Savklingen tages ud, og klingefastholderbøsningen låses fast i den frigjorte position.

BEMÆRK:

- Hvis du fjerner savklingen uden at dreje klingefastholderbøsningen helt over, sidder muffen muligvis ikke fast. Drej i så fald klingefastholderbøsningen helt om, og fastgør bøsningen i den frigjorte position.

For Model DJR145, DJR185 (Fig. 9 og 10)

For at montere savklingen skal du løse boltene med unbrakonøglen.

Når du monterer en bajonetsavklinge, skal du trykke på boltene med unbrakonøglen for at åbne åbningen op, mens klingens sættes i. (Fig. 11 og 12)

Du kan anvende både stiksavsklinger (B-type) og bajonetsavsklinger afhængigt af dit arbejde. Sæt savklingen lige ind i klingefastholderen og spænd den til med unbrakonøglen. Træk forsigtigt i savklingen for at sikre at savklingen ikke falder af under anvendelsen. Følg fremgangsmåden til montering i omvendt rækkefølge for at afmontere savklingen.

Opbevaring af unbrakonøgle (Fig. 13)

Opbevar unbrakonøglen som vist i figuren, når den ikke anvendes, for at forhindre, at den bliver væk.

BETJENING

⚠ FORSIGTIG:

- Tryk altid føringsanslaget fast mod arbejdsemnet under anvendelsen. Hvis føringsanslaget holdes væk fra arbejdsemnet under anvendelsen, kan der opstå kraftige vibrationer og/eller vriddninger, hvilket kan få klingens til at brække af farlig vis.
- Bær altid handsker for at beskytte dine hænder mod flyvende splinter ved skæring i metal.
- Sørg for altid at anvende egnet øjenbeskyttelse, der er i overensstemmelse med de aktuelle nationale standarder.
- Brug altid en egnet kølevæske (skæreoile) ved skæring i metal. Undladelse af dette medfører unødigt slid på klingens. (Fig. 14)

Tryk altid føringsanslaget fast ind mod arbejdsemnet. Tillad ikke at maskinen springer ud. Før savklingen frem, så den kommer i let kontakt med arbejdsemnet. Lav først en prøverille med en langsommere hastighed. Forøg derefter hastigheden for at fortsætte savningen. (Fig. 15 og 16)

- Du kan anvende kontaktgrebet eller afbryderkontakten alt efter arbejdet.

BEMÆRK:

- Hvis maskinen betjenes konstant, indtil batteripakken er afladet, skal du lade maskinen hvile i 15 minutter, før du fortsætter med et nyt batteri.

VEDLIGEHOLDELSE

⚠ FORSIGTIG:

- Sørg altid for, at maskinen er slukket, og at batteripakken er taget ud, før du forsøger at udføre inspektion eller vedligeholdelse.

- Brug aldrig benzin, benzen, fortynder, alkohol eller lignende. Det kan muligvis medføre misfarvning, deformation eller revner.

For at holde produktet SIKKERT og PÅLIDELIGT skal reparationer samt al anden vedligeholdelse eller justering udføres af autoriserede Makita-servicecentre, og der skal altid benyttes Makita-reservedele.

EKSTRAUDSTYR

⚠ FORSIGTIG:

- Dette tilbehør eller ekstraudstyr anbefales til brug med det Makita-værktøj, som er beskrevet i denne brugsanvisning. Brug af andet tilbehør eller ekstraudstyr kan forårsage personskade. Brug kun tilbehør eller ekstraudstyr til det formål, det er beregnet til.

Henvend dig til dit lokale Makita-servicecenter, hvis du har brug for hjælp eller yderligere oplysninger vedrørende tilbehøret.

- Bajonetsavsklinger
- Stiksavsklinger (kun for model DJR145, DJR185)
- Originalt batteri og oplader fra Makita

BEMÆRK:

- Visse dele på listen er muligvis indeholdt maskinindpakningen som standardtilbehør. De kan variere fra land til land.

Støj

Det typiske A-vægtede støjniveau bestemt i overensstemmelse med EN60745:

ENG905-1

Model DJR143, DJR185

Lydtryksniveau (L_{pA}): 76 dB (A)

Usikkerhed (K): 3 dB (A)

Støjniveauet under arbejdet kan være større end 80 dB (A).

Model DJR145, DJR183

Lydtryksniveau (L_{pA}): 77 dB (A)

Usikkerhed (K): 3 dB (A)

Støjniveauet under arbejdet kan være større end 80 dB (A).

Bær høreværn.

Vibration

Den samlede vibrationsværdi (treaksiel vektorsum) bestemt i overensstemmelse med EN60745:

ENG900-1

Model DJR143, DJR145

Arbejdstilstand: skæring i plader

Vibrationsemission ($a_{h,B}$): 7,0 m/s²

Usikkerhed (K): 1,5 m/s²

Arbejdstilstand: savning i træbjælker

Vibrationsemission ($a_{h,WB}$): 7,0 m/s²

Usikkerhed (K): 1,5 m/s²

Model DJR183, DJR185

Arbejdstilstand: skæring i plader

Vibrationsemission ($a_{h,B}$): 8,0 m/s²

Usikkerhed (K): 1,5 m/s²

Arbejdstilstand: savning i træbjælker

Vibrationsemission ($a_{h,WB}$): 7,0 m/s²

Usikkerhed (K): 1,5 m/s²

- Den opgivne vibrationsemissionsværdi er målt i overensstemmelse med standardtestmetoden og kan bruges til at sammenligne et værktøj med et andet.
- Den opgivne vibrationsemissionsværdi kan muligvis også bruges til en indledende eksponeringsvurdering.

⚠ ADVARSEL:

- Vibrationsemissionen under den faktiske brug af maskinen kan afvige fra den opgivne emissionsværdi afhængigt af den måde, maskinen anvendes på.
- Sørg for at bestemme sikkerhedsforanstaltninger for beskyttelse af operatøren, som er baseret på en eksponeringsvurdering for brug under faktiske forhold (hvor alle anvendelsescyklussens dele inddrages, som f.eks. antal gange maskinen slukkes, og når den kører i tomgang ud over triggertiden).

Kun for europæiske lande

ENH101-17

EF-overensstemmelseserklæring

Makita erklærer at følgende Makita-maskine(r):

Maskinens betegnelse:

Ledningsfri bajonetsav

Modelnummer/type: DJR143, DJR145, DJR183, DJR185

Overholder følgende europæiske direktiver:

2006/42/EF

De er produceret i overensstemmelse med den følgende standard eller standardiserede dokumenter:

EN60745

Den tekniske fil er i overensstemmelse med 2006/42/EF til rådighed fra:

Makita, Jan-Baptist Vinkstraat 2, 3070, Belgien

31. 12. 2013



Yasushi Fukaya

Direktør

Makita, Jan-Baptist Vinkstraat 2, 3070, Belgien

ΕΛΛΗΝΙΚΑ (Πρωτογενείς οδηγίες)

Περιγραφή γενικής όψης

- | | | |
|------------------------|---------------------------------|----------------------------------|
| 1. Κόκκινη ένδειξη | 9. Μοχλός-διακόπτης | 17. Λάμα πριονιού |
| 2. Κουμπί | 10. Σκανδάλη-διακόπτης | 18. Μπουλόνι |
| 3. Κασέτα μπαταρίας | 11. Λυχνία | 19. Σφιζίτε |
| 4. Ένδειξη άστρου | 12. Εξάγωνο κλειδί | 20. Τρύπα για τη λάμα σπαθοσέγας |
| 5. Ενδεικτικές λυχνίες | 13. Εξάγωνο μπουλόνι | 21. Σφιγκτήρας λάμας |
| 6. Κουμπί ελέγχου | 14. Ξεσφιζίτε | 22. Τρύπα για τη λάμα σέγας |
| 7. Κουμπί ασφάλισης | 15. Λάμα σπαθοσέγας | 23. Προεξοχή |
| 8. Μοχλός ασφάλισης | 16. Περιβλήμα συγκράτησης λάμας | |

ΠΡΟΔΙΑΓΡΑΦΕΣ

Μοντέλο	DJR143	DJR145	DJR183	DJR185
Μήκος διαδρομής	13 mm			
Διαδρομές το λεπτό (min ⁻¹)	0 - 3.000			
Μέγιστες ικανότητες κοπής	Σωλήνας	50 mm		
	Ξύλο	50 mm		
Τυπική κασέτα μπαταρίας	BL1415/BL1415N/BL1430/ BL1430B/BL1440/BL1450/BL1460B		BL1815/BL1815N/BL1820/BL1820B/ BL1830/BL1830B/BL1840/BL1840B/ BL1850/BL1850B/BL1860B	
Ολικό μήκος	392 mm (μαζί με τη BL1415/BL1415N)	392 mm (μαζί με τη BL1815/BL1815N/ BL1820/BL1820B)		
	397 mm (μαζί με τη BL1430/BL1430B/ BL1440/BL1450/BL1460B)	398 mm (μαζί με τη BL1830/BL1830B/ BL1840/BL1840B/BL1850/ BL1850B/BL1860B)		
Καθαρό βάρος	1,5 kg (μαζί με τη BL1415/BL1415N)	1,5 kg (μαζί με τη BL1815/BL1815N/ BL1820/BL1820B)		
	1,7 kg (μαζί με τη BL1430/BL1430B/ BL1440/BL1450/BL1460B)	1,8 kg (μαζί με τη BL1830/BL1830B/ BL1840/BL1840B/BL1850/ BL1850B/BL1860B)		
Ονομαστική τιμή τάσης	D.C. 14,4V		D.C. 18V	

- Λόγω του συνεχόμενου προγράμματος που εφαρμόζουμε για έρευνα και ανάπτυξη, τα τεχνικά χαρακτηριστικά στο παρόν έντυπο υπόκεινται σε αλλαγή χωρίς προειδοποίηση.
- Τα τεχνικά χαρακτηριστικά και η μπαταρία ενδέχεται να διαφέρουν από χώρα σε χώρα.
- Βάρος μαζί με την μπαταρία σύμφωνα με τη διαδικασία της ΕΡΤΑ 01/2003

Προοριζόμενη χρήση

Το εργαλείο προορίζεται για το πρίονισμα ξύλου, πλαστικού και σιδηρούχων υλικών.

ENE020-1

Γενικές Προειδοποιήσεις Ασφαλείας Του Ηλεκτρικού Εργαλείου

GEA010-1

⚠️ ΠΡΟΕΙΔΟΠΟΙΗΣΗ Διαβάστε όλες τις προειδοποιήσεις ασφαλείας και όλες τις οδηγίες. Αν δεν ακολουθήσετε όλες τις προειδοποιήσεις και τις οδηγίες, υπάρχει κίνδυνος ηλεκτροπληξίας, πυρκαγιάς ή/και σοβαρού τραυματισμού.

Φυλάξτε όλες τις προειδοποιήσεις και τις οδηγίες για μελλοντική αναφορά.

ΠΡΟΕΙΔΟΠΟΙΗΣΕΙΣ ΑΣΦΑΛΕΙΑΣ ΓΙΑ ΤΗ ΦΟΡΗΤΗ ΣΠΑΘΟΣΕΓΑ

GEB048-2

1. **Να κρατάτε το ηλεκτρικό εργαλείο από τις μονωμένες λαβές** όταν εκτελείτε εργασίες κατά τις οποίες το κοπτικό εξάρτημα μπορεί να έρθει σε επαφή με κρυμμένα καλώδια. Αν το κοπτικό εξάρτημα έρθει σε επαφή με κάποιο ηλεκτροφόρο καλώδιο, τα εκτεθειμένα μεταλλικά μέρη του ηλεκτρικού εργαλείου θα γίνουν κι αυτά ηλεκτροφόρα και μπορεί να προκληθεί ηλεκτροπληξία στο χειριστή.
2. **Να χρησιμοποιείτε σφιγκτήρες ή κάποιο άλλο πρακτικό μέσο για να ασφαλίσετε και να στηρίξετε το τεμάχιο εργασίας σε μια σταθερή πλατφόρμα.** Αν κρατάτε το τεμάχιο εργασίας με το χέρι σας ή επάνω στο σώμα σας, θα είναι ασταθές και μπορεί να χάσετε τον έλεγχο.
3. **Να χρησιμοποιείτε πάντοτε γυαλιά ασφαλείας ή προστατευτικά ματιών.** Τα συνηθισμένα γυαλιά και τα γυαλιά ηλίου **ΔΕΝ** αποτελούν γυαλιά ασφαλείας.

4. Να αποφεύγετε την κοπή καρφιών. Να ελέγχετε το τεμάχιο εργασίας για τυχόν καρφιά και να τα αφαιρείτε πριν από τη λειτουργία.
5. Μην κόβετε υπερμεγέθη τεμάχια εργασίας.
6. Πριν από την κοπή, να ελέγχετε ότι υπάρχει επαρκής απόσταση πίσω από το τεμάχιο εργασίας ώστε η λάμα να μη χτυπήσει το δάπεδο, τον πάγκο εργασίας, κτλ.
7. Να κρατάτε το εργαλείο σταθερά.
8. Να βεβαιώνετε ότι η λάμα δεν ακουμπάει το τεμάχιο εργασίας πριν ενεργοποιείτε το διακόπτη λειτουργίας.
9. Μην πλησιάζετε τα χέρια σας σε κινούμενα μέρη.
10. Μην αφήνετε το εργαλείο σε λειτουργία. Το εργαλείο πρέπει να βρίσκεται σε λειτουργία μόνο όταν το κρατάτε.
11. Πάντοτε να σβήνετε το εργαλείο και να περιμένετε να σταματήσει να κινείται εντελώς η λάμα πριν τη βγάξετε από το τεμάχιο εργασίας.
12. Μην αγγίζετε την προινοκορδέλα ή το τεμάχιο εργασίας αμέσως μετά τη λειτουργία του εργαλείου. Μπορεί να είναι εξαιρετικά θερμά και να προκληθεί έγκαυμα στο δέρμα σας.
13. Μη θέτετε το εργαλείο σε λειτουργία χωρίς φόρτο, αν αυτό δεν είναι απαραίτητο.
14. Να χρησιμοποιείτε πάντοτε προσωπίδα κατά της σκόνης ή αναπνευστήρα που είναι κατάλληλος για το υλικό και την εφαρμογή σας.
15. Μερικά υλικά περιέχουν χημικές ουσίες που μπορεί να είναι τοξικές. Να προσέχετε ώστε να αποφεύγετε την εισπνοή της σκόνης και την επαφή με το δέρμα. Ακολουθείτε τα δεδομένα ασφάλειας υλικού που παρέχονται από τον προμηθευτή.
4. Αν μπει στα μάτια σας ηλεκτρολύτης, ξεπλύνετε με καθαρό νερό και αναζητήστε αμέσως ιατρική βοήθεια. Μπορεί να χάσετε την όρασή σας.
5. Μη βραχυκυκλώνετε την μπαταρία:
 - (1) Μην αγγίζετε τους ακροδέκτες με αγωγίμο υλικό.
 - (2) Μην αποθηκεύετε την μπαταρία σε δοχείο με άλλα μεταλλικά αντικείμενα, όπως καρφιά, νομίσματα, κτλ.
 - (3) Μην εκθέτετε την μπαταρία σε νερό ή βροχή. Αν βραχυκυκλωθεί η μπαταρία, μπορεί να προκληθεί μεγάλη ροή ηλεκτρικού ρεύματος, υπερθέρμανση, πιθανά εγκαύματα και ακόμη και καταστροφή της μπαταρίας.
6. Μην αποθηκεύετε το εργαλείο και την μπαταρία σε μέρος όπου η θερμοκρασία μπορεί να φτάσει ή να ξεπεράσει τους 50°C (122°F).
7. Μην αποτεφρώνετε την μπαταρία ακόμη κι αν παρουσιάζει σοβαρή ζημιά ή είναι εντελώς φθαρμένη. Η μπαταρία μπορεί να εκραγεί σε φωτιά.
8. Να προσέχετε να μη σας πέσει η μπαταρία και να μη συγκρουστεί με κάποιο αντικείμενο.
9. Μη χρησιμοποιείτε μια μπαταρία που έχει υποστεί βλάβη.
10. Ακολουθήστε τους τοπικούς κανονισμούς σχετικά με την απόρριψη της μπαταρίας.

ΦΥΛΑΞΤΕ ΑΥΤΕΣ ΤΙΣ ΟΔΗΓΙΕΣ.

Συμβουλές για τη διατήρηση της μέγιστης ζωής της μπαταρίας

1. Να φορτίζετε την μπαταρία πριν αποφορτιστεί εντελώς. Πάντοτε να διακόπτετε τη λειτουργία του εργαλείου και να φορτίζετε την μπαταρία όταν παρατηρείται μειωμένη ισχύ του εργαλείου.
2. Ποτέ μην επαναφορτίζετε μια πλήρως φορτισμένη μπαταρία. Αν υπερφορτίσετε την μπαταρία, μειώνεται η ωφέλιμη διάρκεια ζωής της.
3. Να φορτίζετε την μπαταρία σε θερμοκρασία δωματίου, δηλαδή στους 10°C έως 40°C (50°F έως 104°F). Αν η μπαταρία είναι θερμή, αφήστε την να ψυχθεί πριν τη φορτίσετε.
4. Φορτίστε την κασέτα μπαταρίας εάν δεν πρόκειται να την χρησιμοποιήσετε για περισσότερους από έξι μήνες.

ΠΕΡΙΓΡΑΦΗ ΛΕΙΤΟΥΡΓΙΑΣ

⚠ ΠΡΟΣΟΧΗ:

- Να βεβαιώνετε πάντοτε ότι έχετε σβήσει το εργαλείο και έχετε βγάλει την κασέτα μπαταρίας πριν ρυθμίσετε ή ελέγξετε κάποια λειτουργία του εργαλείου.

Τοποθέτηση ή αφαίρεση της κασέτας μπαταρίας (Εικ. 1)

⚠ ΠΡΟΣΟΧΗ:

- Πάντοτε να απενεργοποιείτε το εργαλείο πριν από την τοποθέτηση ή την αφαίρεση της κασέτας μπαταρίας.
- Κρατήστε το εργαλείο και την κασέτα μπαταρίας γερά κατά την τοποθέτηση ή την αφαίρεση της

ΦΥΛΑΞΤΕ ΑΥΤΕΣ ΤΙΣ ΟΔΗΓΙΕΣ.

⚠ ΠΡΟΕΙΔΟΠΟΙΗΣΗ:

ΜΗΝ επιτρέψετε στη βολικότητα ή στην εξοικείωσή σας με το προϊόν (που αποκτήθηκε από επανειλημμένη χρήση) να αντικαταστήσει την αυστηρή προσήλωση στους κανόνες ασφάλειας του εν λόγω προϊόντος. Η ΛΑΝΘΑΣΜΕΝΗ ΧΡΗΣΗ ή η μη τήρηση των κανόνων ασφαλείας που διατυπώνονται στο παρόν εγχειρίδιο οδηγιών μπορεί να προκαλέσει σοβαρό τραυματισμό.

ΣΗΜΑΝΤΙΚΕΣ ΟΔΗΓΙΕΣ ΑΣΦΑΛΕΙΑΣ

ENC007-9

ΓΙΑ ΤΗΝ ΜΠΑΤΑΡΙΑ

1. Πριν χρησιμοποιήσετε την μπαταρία, διαβάστε όλες τις οδηγίες και τις ενδείξεις προφύλαξης στο (1) φορτιστή μπαταρίας, (2) την μπαταρία και (3) το προϊόν στο οποίο χρησιμοποιείται η μπαταρία.
2. Μην αποσυαρμολογείτε την μπαταρία.
3. Αν ο χρόνος λειτουργίας της μπαταρίας είναι υπερβολικά σύντομος, διακόψτε αμέσως τη λειτουργία. Αν συνεχίσετε, μπορεί να έχει ως αποτέλεσμα τον κίνδυνο υπερθέρμανσης, πιθανών εγκαυμάτων και ακόμη έκρηξης.

κασέτας μπαταρίας. Εάν δεν κρατήσετε το εργαλείο και την μπαταρία καλά μπορεί να γλιστρήσουν από τα χέρια σας και να προκληθεί ζημιά στο εργαλείο και στη μπαταρία αλλά και προσωπικός τραυματισμός.

Για να βγάλετε την κασέτα μπαταρίας, σύρετε την από το εργαλείο ολισθαίνοντας το κουμπί στο μπροστινό μέρος της κασέτας.

Για να τοποθετήσετε την κασέτα μπαταρίας, ευθυγραμμίστε τη γλωττίδα της κασέτας μπαταρίας με την εγκοπή στο περίβλημα και ολισθήστε τη στη θέση της. Τοποθετήστε τη έως το τέρμα, δηλαδή έως ότου ασφαλίσει στη θέση και ακουστεί ένας χαρακτηριστικός ήχος “κλικ”. Αν μπορείτε να δείτε την κόκκινη ένδειξη στην πάνω πλευρά του κουμπιού, η μπαταρία δεν είναι πλήρως ασφαλισμένη.

⚠️ ΠΡΟΣΟΧΗ:

- Πάντοτε να τοποθετείτε την κασέτα μπαταρίας πλήρως για να μη φαίνεται η κόκκινη ένδειξη. Σε αντίθετη περίπτωση, μπορεί να πέσει κατά λάθος από το εργαλείο και να τραυματίσει εσάς ή κάποιον παρευρισκόμενο.
- Μην εισάγετε με τη βία την κασέτα μπαταρίας. Αν η κασέτα δεν ολισθαίνει με ευκολία, δεν την εισαγάγετε σωστά.

Σύστημα προστασίας μπαταρίας (Μπαταρία ιόντων λιθίου με την ένδειξη άστρου) (Εικ. 2)

Οι μπαταρίες ιόντων λιθίου με ένδειξη άστρου είναι εφοδιασμένες με ένα σύστημα προστασίας. Αυτό το σύστημα διακόπτει αυτόματα το ρεύμα στο εργαλείο για να παρατηνείται η διάρκεια ζωής της μπαταρίας.

Το εργαλείο θα σταματήσει αυτόματα κατά τη λειτουργία όταν το εργαλείο και/ή η μπαταρία υποστούν τις παρακάτω συνθήκες:

- Υπερφόρτιση: Το εργαλείο λειτουργεί με τρόπο που προκαλεί την κατανάλωση ασυνήθιστα υψηλής ποσότητας ρεύματος. Στην περίπτωση αυτή, ελευθερώστε το μοχλό-διακόπτης/σκανδάλη του εργαλείου και σταματήστε την εφαρμογή που προκάλεσε την υπερφόρτωση του εργαλείου. Στη συνέχεια, τραβήξτε το μοχλό-διακόπτης/σκανδάλη ξανά για επανεκκίνηση. Εάν το εργαλείο δεν ξεκινά, η μπαταρία έχει υπερθερμανθεί. Στην περίπτωση αυτή, αφήστε την μπαταρία να κρυώσει πριν τραβήξετε το μοχλό-διακόπτης/σκανδάλη ξανά.
- Χαμηλή τάση της μπαταρίας: Η εναπομένουσα ποσότητα ρεύματος της μπαταρίας είναι πολύ χαμηλή και το εργαλείο δεν θα λειτουργήσει. Σε αυτήν την περίπτωση, αφαιρέστε και επαναφορτίστε τη μπαταρία.

Ένδειξη της εναπομένουσας χωρητικότητας της μπαταρίας

(Μόνο για τις κασέτες μπαταρία με “B” στο τέλος του αριθμού μοντέλου.) (Εικ. 3)

Πατήστε το κουμπί ελέγχου στην κασέτα μπαταρίας για να εμφανιστεί η υπολειπόμενη χωρητικότητα της μπαταρίας. Οι ενδεικτικές λυχνίες θα ανάψουν για μερικά δευτερόλεπτα.

Ενδεικτικές λυχνίες			Εναπομένουσα χωρητικότητα
■	□	▣	
Αναμμένες	Σβηστές	Αναβοσβήνουν	
■ ■ ■ ■			75% έως 100%
■ ■ ■ □			50% έως 75%
■ ■ □ □			25% έως 50%
■ □ □ □			0% έως 25%
▣ □ □ □			Φορτίστε τη μπαταρία.
■ ■ □ □	↑ ↓	□ □	Η μπαταρία μπορεί να δυσλειτουργεί.

015658

ΣΗΜΕΙΩΣΗ:

- Ανάλογα με τις συνθήκες χρήσης και τη θερμοκρασία περιβάλλοντος, η ένδειξη μπορεί να διαφέρει ελαφρώς από την πραγματική χωρητικότητα.

Δράση διακόπτη

⚠️ ΠΡΟΣΟΧΗ:

- Πριν την τοποθέτηση της κασέτας μπαταρίας στο εργαλείο, πάντοτε να ελέγχετε ότι ο μοχλός-διακόπτης/σκανδάλη κανονικά και επιστρέφει στη θέση “OFF” όταν τον αφήνετε. (Εικ. 4)

Για να μην πιέσετε το μοχλό-διακόπτης/σκανδάλη κατά λάθος, παρέχεται ένας μοχλός/κουμπί ασφάλισης.

Για να ξεκινήσετε το εργαλείο, απλά τραβήξτε το μοχλό-διακόπτης ή σκανδάλη.

- Για το μοχλό-διακόπτης, τραβήξτε το μοχλό ασφάλισης και στη συνέχεια τραβήξτε το μοχλό-διακόπτης για να ξεκινήσει το εργαλείο.
- Για τη σκανδάλη-διακόπτης, πατήστε το κουμπί ασφάλισης και στη συνέχεια τραβήξτε τη σκανδάλη-διακόπτης για να ξεκινήσει το εργαλείο. Το κουμπί ασφάλισης μπορεί να πατηθεί από τη δεξιά ή από την αριστερή πλευρά.

Αν αυξήσετε την πίεση στο μοχλό-διακόπτης/σκανδάλη, αυξάνεται η ταχύτητα της συσκευής. Για να σταματήσετε το εργαλείο, αφήστε το μοχλό-διακόπτης/σκανδάλη.

ΕΙΔΟΠΟΙΗΣΗ:

Μην τραβάτε το μοχλό-διακόπτης/σκανδάλη με βία χωρίς να τραβάτε το μοχλό/κουμπί ασφάλισης. Αυτό μπορεί να προκαλέσει το σπάσιμο του διακόπτη.

Άναμμα της μπροστινής λυχνίας (Εικ. 5)

⚠️ ΠΡΟΣΟΧΗ:

- Μην κοιτάτε κατευθείαν μέσα στο φως ή στην πηγή του φωτός.

Πιέστε το μοχλό-διακόπτης/σκανδάλη για να ανάψετε τη λυχνία. Η λυχνία εξακολουθεί να είναι αναμμένη όσο πιέζετε το μοχλό-διακόπτης/σκανδάλη. Η λάμπα σβήνει αυτόματα 10 έως 15 δευτερόλεπτα αφού αφήσετε το μοχλό-διακόπτης/σκανδάλη.

Ρύθμιση του πέλματος (Εικ. 6)

Όταν μειωθεί η απόδοση κοπής της λάμας σε κάποιο σημείο κατά μήκος του άκρου κοπής της, τοποθετήστε ξανά το πέλμα ώστε να χρησιμοποιήσετε ένα κοφτερό, αχρησιμοποίητο τμήμα του άκρου κοπής. Έτσι επιμηκώνεται η διάρκεια ζωής της λάμας. Για να επανατοποθετήσετε το πέλμα, ξεσφίξτε το μπουλόνι με το εξάγωνο άλεν. Ολισθήστε το πέλμα στην επιθυμητή θέση και στη συνέχεια σφίξτε γερά το μπουλόνι.

ΣΥΝΑΡΜΟΛΟΓΗΣΗ

⚠ ΠΡΟΣΟΧΗ:

- Να βεβαιώνετε πάντοτε ότι έχετε σβήσει το εργαλείο και έχετε βγάλει την μπαταρία πριν εκτελέσετε οποιαδήποτε εργασία σε αυτό.

Τοποθέτηση ή αφαίρεση της λάμας πριονιού

⚠ ΠΡΟΣΟΧΗ:

- Να καθαρίζετε πάντοτε όλα τα θραύσματα και τα ξένα σώματα που έχουν προσκολληθεί στη λάμα, στο σφικτήρα λάμας ή/και στον κυλιόμενο οδηγό. Αν δεν το κάνετε αυτό, μπορεί να μην είναι αρκετά σφιγμένη η λάμα και να προκληθεί σοβαρός τραυματισμός.

Για το μοντέλο DJR143, DJR183 (Εικ. 7)

Τοποθετήστε τη λάμα σταθασέας μέσα στο σφικτήρα της λάμας έως το τέρμα. Το περίβλημα σφικτήρα της λάμας περιστρέφεται και σταθεροποιεί τη λάμα πριονιού. Βεβαιωθείτε ότι η λάμα πριονιού δεν βγαίνει έξω ακόμα κι όταν προσπαθείτε να την τραβήξετε για να βγει.

⚠ ΠΡΟΣΟΧΗ:

- Εάν δεν τοποθετήσετε τη λάμα πριονιού αρκετά βαθιά, αυτή μπορεί να πεταχτεί απρόσμενα κατά τη λειτουργία. Αυτό μπορεί να είναι εξαιρετικά επικίνδυνο.

ΣΗΜΕΙΩΣΗ:

- Δεν μπορείτε να χρησιμοποιήσετε τη λάμα της σέγας με το DJR143 ή DJR183. (Εικ. 8)

Για να βγάλετε τη λάμα πριονιού, περιστρέψτε πλήρως το περίβλημα σφικτήρα της λάμας προς την κατεύθυνση του βέλους. Η λάμα πριονιού θα βγει και το περίβλημα σφικτήρα της λάμας θα σταθεροποιηθεί στην ελεύθερη θέση.

ΣΗΜΕΙΩΣΗ:

- Εάν βγάλετε τη λάμα πριονιού χωρίς να περιστρέψετε πλήρως το περίβλημα σφικτήρα της λάμας, το περίβλημα δεν θα είναι σταθεροποιημένο. Στην περίπτωση αυτή, περιστρέψτε πλήρως το περίβλημα σφικτήρα της λάμας και κατόπιν σταθεροποιήστε το περίβλημα στην ελεύθερη θέση.

Για το μοντέλο DJR145, DJR185 (Εικ. 9 και 10)

Για να τοποθετήσετε τη λάμα πριονιού, ξεσφίξτε το μπουλόνι με ένα εξάγωνο άλεν.

Κατά την εγκατάσταση της λάμας σταθασέας, πιέστε το μπουλόνι με το εξάγωνο άλεν για να ανοίξετε την εγκοπή κατά την εισχώρηση της λάμας. (Εικ. 11 και 12) Μπορείτε να χρησιμοποιήσετε τόσο τις λάμες σέγας (τύπου Β) όσο και τις λάμες σταθασέας ανάλογα με την εργασία σας. Εισάγετε την λάμα πριονιού ευθεία μέσα στο σφικτήρα της λάμας και σφίξτε με το εξάγωνο άλεν.

Τραβήξτε ελαφρώς την λάμα πριονιού για να βεβαιωθείτε ότι η λάμα πριονιού δεν θα βγει έξω κατά τη λειτουργία. Για να αφαιρέσετε λάμα πριονιού, ακολουθήστε τη διαδικασία τοποθέτησης με αντίστροφη σειρά.

Αποθήκευση εξάγωνου κλειδιού (Εικ. 13)

Όταν δεν χρησιμοποιείτε το εξάγωνο κλειδί, αποθηκεύστε το, όπως απεικονίζεται, για να μην το χάσετε.

ΛΕΙΤΟΥΡΓΙΑ

⚠ ΠΡΟΣΟΧΗ:

- Κατά τη λειτουργία, να πιέζετε πάντοτε το πέλμα σταθερά επάνω στο τεμάχιο εργασίας. Αν, κατά τη λειτουργία, κρατάτε το πέλμα μακριά από το τεμάχιο εργασίας, παράγονται ισχυροί κραδασμοί ή/και δυνάμεις στρέψης που μπορεί να προκαλέσουν το επικίνδυνο σπάσιμο της λάμας.
- Όταν κόβετε μέταλλο, να φοράτε πάντοτε γάντια για να προστατεύετε τα χέρια σας από εκτοξευόμενα, ζεστά θραύσματα.
- Να φροντίζετε να φοράτε πάντοτε κατάλληλη προστασία ματιών που συμμορφώνεται με τα τρέχοντα εθνικά πρότυπα.
- Όταν κόβετε μέταλλο, να χρησιμοποιείτε πάντοτε κατάλληλο ψυκτικό υγρό (λάδι κοπής). Αν δεν το κάνετε αυτό, θα προκληθεί πρόωρη φθορά στη λάμα. (Εικ. 14)

Να πιέζετε το πέλμα σταθερά επάνω στο τεμάχιο εργασίας. Μην αφήνετε το εργαλείο να αναπηδήσει.

Τοποθετήστε τη λάμα πριονιού έτσι ώστε να αγγίζει ελαφρά το τεμάχιο εργασίας. Πρώτα, κάντε ένα δοκιμαστικό αυλάκι χρησιμοποιώντας μικρή ταχύτητα. Κατόπιν, χρησιμοποιήστε μεγαλύτερη ταχύτητα για να συνεχίσετε το κόψιμο. (Εικ. 15 και 16)

- Μπορείτε να χρησιμοποιήσετε το μοχλό-διακόπτης ή τη σκανδάλη ανάλογα με την εργασία σας.

ΣΗΜΕΙΩΣΗ:

- Αν το εργαλείο λειτουργεί συνεχόμενα έως ότου αποφορτιστεί η μπαταρία, αφήστε το εργαλείο σβηστό για 15 λεπτά πριν συνεχίσετε την εργασία με καινούργια μπαταρία.

ΣΥΝΤΗΡΗΣΗ

⚠ ΠΡΟΣΟΧΗ:

- Να βεβαιώνετε πάντοτε ότι έχετε σβήσει το εργαλείο και έχετε βγάλει την κασέτα μπαταρίας πριν εκτελέσετε οποιαδήποτε εργασία ελέγχου ή συντήρησης σε αυτό.
- Μην χρησιμοποιήσετε βενζίνη, βενζόλη, διαλυτικό, αλκοόλη ή κάτι παρόμοιο. Μπορεί να προκληθεί αποχρωματισμός, παραμόρφωση ή ρωγμές.

Για να διατηρείται η ΑΣΦΑΛΕΙΑ και η ΑΞΙΟΠΙΣΤΙΑ του προϊόντος, οι εργασίες επισκευής, καθώς και οποιαδήποτε άλλη εργασία συντήρησης ή ρύθμισης, θα πρέπει να εκτελούνται σε εξουσιοδοτημένα κέντρα εξυπηρέτησης της Makita, και πάντοτε με τη χρήση ανταλλακτικών της Makita.

ΠΡΟΑΙΡΕΤΙΚΑ ΑΞΕΣΟΥΑΡ

⚠ ΠΡΟΣΟΧΗ:

- Συνιστάται η χρήση αυτών των αξεσουάρ ή εξαρτημάτων με το εργαλείο της Makita, όπως

περιγράφεται στο παρόν εγχειρίδιο. Αν χρησιμοποιήσετε άλλα αξεσουάρ ή εξαρτήματα μπορεί να παρουσιαστεί κίνδυνος για πρόκληση τραυματισμού προσώπων. Να χρησιμοποιείτε τα αξεσουάρ και τα εξαρτήματα μόνο για το σκοπό για τον οποίο προορίζονται.

Αν χρειάζεστε κάποια βοήθεια ή περισσότερες πληροφορίες σχετικά με τα αξεσουάρ αυτά, απευθυνθείτε στο πλησιέστερο κέντρο εξυπηρέτησης της Makita.

- Λάμες σπαθοσέγας
- Λάμες σέγας (μόνο για το μοντέλο DJR145, DJR185)
- Αυθεντική μπαταρία και φορτιστής της Makita

ΣΗΜΕΙΩΣΗ:

- Ορισμένα από τα στοιχεία της λίστα μπορεί να περιέχονται στην συσκευασία του εργαλείου ως κανονικά αξεσουάρ. Αυτά ενδέχεται να διαφέρουν από χώρα σε χώρα.

Θόρυβος

ENG905-1

Το σύνθησε σταθμισμένο επίπεδο θορύβου που έχει καθοριστεί σύμφωνα με την EN60745:

Μοντέλο DJR143, DJR185

Επίπεδο ηχητικής πίεσης (L_{pA}): 76 dB (A)
Αβεβαιότητα (K): 3 dB (A)

Το επίπεδο θορύβου κατά τη λειτουργία ενδέχεται να υπερβεί τα 80 dB (A).

Μοντέλο DJR145, DJR183

Επίπεδο ηχητικής πίεσης (L_{pA}): 77 dB (A)
Αβεβαιότητα (K): 3 dB (A)

Το επίπεδο θορύβου κατά τη λειτουργία ενδέχεται να υπερβεί τα 80 dB (A).

Να φοράτε ωτοασπίδες.

Δόνηση

ENG900-1

Η συνολική τιμή δόνησης (διανυσματικό άθροισμα τριών αξόνων) που έχει καθοριστεί σύμφωνα με την EN60745:

Μοντέλο DJR143, DJR145

Τρόπος λειτουργίας: κοπή σανίδων
Εκπομπή δόνησης ($a_{h, B}$): 7,0 m/s²
Αβεβαιότητα (K): 1,5 m/s²

Τρόπος λειτουργίας: κοπή ξύλινων δοκαριών
Εκπομπή δόνησης ($a_{h, WB}$): 7,0 m/s²
Αβεβαιότητα (K): 1,5 m/s²

Μοντέλο DJR183, DJR185

Τρόπος λειτουργίας: κοπή σανίδων
Εκπομπή δόνησης ($a_{h, B}$): 8,0 m/s²
Αβεβαιότητα (K): 1,5 m/s²

Τρόπος λειτουργίας: κοπή ξύλινων δοκαριών
Εκπομπή δόνησης ($a_{h, WB}$): 7,0 m/s²
Αβεβαιότητα (K): 1,5 m/s²

- Η δηλωθείσα τιμή των παραγομένων κραδασμών έχει καταμετρηθεί σύμφωνα με την τυποποιημένη μέθοδο δοκιμασίας και μπορεί να χρησιμοποιηθεί για την σύγκριση ενός εργαλείου με ένα άλλο.
- Η δηλωθείσα τιμή των παραγομένων κραδασμών μπορεί επίσης να χρησιμοποιηθεί για μια προκαταρκτική αξιολόγηση της έκθεσης στους κραδασμούς.

⚠ ΠΡΟΕΙΔΟΠΟΙΗΣΗ:

- Η εκπομπή κραδασμών κατά τη διάρκεια της πραγματικής χρήσης του ηλεκτρικού εργαλείου μπορεί να διαφέρει από τη δηλωθείσα τιμή των εκπομπών, ανάλογα με τον τρόπο με τον οποίο χρησιμοποιείται το εργαλείο.
- Φροντίστε να λάβετε τα μέτρα ασφαλείας που απαιτούνται για την προστασία του χρήστη που βασίζονται σε μια εκτίμηση της έκθεσης σε πραγματικές συνθήκες χρήσης (λαμβάνοντας υπόψη όλα τα μέρη του κύκλου λειτουργίας, όπως είναι οι περιπτώσεις κατά τις οποίες το εργαλείο είναι απενεργοποιημένο και όταν λειτουργεί στο ρελαντί επιπρόσθετως του χρόνου κατά τον οποίο το εργαλείο βρίσκεται σε χρήση).

Για τις ευρωπαϊκές χώρες μόνο

ENH101-17

ΕΚ – Δήλωση συμμόρφωσης

Η Makita δηλώνει ότι το παρακάτω μηχάνημα(τα):

Ονομασία μηχανήματος:

Φορητή σπαθοσέγα

Αρ. Μοντέλου/Τύπος: DJR143, DJR145, DJR183, DJR185

Συμμορφώνονται με τις ακόλουθες Ευρωπαϊκές Οδηγίες:

2006/42/EK

Κατασκευάζονται σύμφωνα με το παρακάτω πρότυπο ή τυποποιημένα έγγραφα:

EN60745

Το τεχνικό αρχείο σύμφωνα με την 2006/42/EK είναι διαθέσιμο από:

Makita, Jan-Baptist Vinkstraat 2, 3070, Belgium

31. 12. 2013



Yasushi Fukaya

Διευθυντής

Makita, Jan-Baptist Vinkstraat 2, 3070, Belgium

TÜRKÇE (Orijinal talimatlar)

Genel görünüm

1. Kırmızı gösterge
2. Düşme
3. Akü
4. Yıldız işareti
5. Gösterge lambaları
6. Kontrol düğmesi
7. Kilit açma düğmesi
8. Kilit açma mandali
9. Açma/kapatma mandali
10. Açma/kapama düğmesi
11. Lamba
12. Alyan anahtarı
13. Cıvata
14. Gevşer
15. Kılıç testere bıçağı
16. Bıçak mengene bileziği
17. Testere bıçağı
18. Cıvata
19. Sıkılır
20. Kılıç testere bıçağı deliği
21. Bıçak mengenesi
22. Dekupaj testere bıçağı deliği
23. Tırnak

TEKNİK ÖZELLİKLER

Model	DJR143	DJR145	DJR183	DJR185
Darbe uzunluğu	13 mm			
Dakikada darbe sayısı (dak ⁻¹)	0 - 3.000			
Maks. kesme kapasiteleri	Boru	50 mm		
	Ahşap	50 mm		
Standart akü	BL1415/BL1415N/BL1430/ BL1430B/BL1440/BL1450/BL1460B		BL1815/BL1815N/BL1820/BL1820B/ BL1830/BL1830B/BL1840/BL1840B/ BL1850/BL1850B/BL1860B	
Toplam uzunluk	392 mm (BL1415/BL1415N modelinde)		392 mm (BL1815/BL1815N/BL1820/ BL1820B modelinde)	
	397 mm (BL1430/BL1430B/ BL1440/BL1450/BL1460B modelinde)		398 mm (BL1830/BL1830B/BL1840/ BL1840B/BL1850/BL1850B/ BL1860B modelinde)	
Net ağırlık	1,5 kg (BL1415/BL1415N modelinde)		1,5 kg (BL1815/BL1815N/BL1820/ BL1820B modelinde)	
	1,7 kg (BL1430/BL1430B/ BL1440/BL1450/BL1460B modelinde)		1,8 kg (BL1830/BL1830B/BL1840/ BL1840B/BL1850/BL1850B/ BL1860B modelinde)	
Anma gerilimi	D.C. 14,4V		D.C. 18V	

- Sürekli yapılan araştırma ve geliştirmelerden dolayı, burada belirtilen özellikler önceden bildirilmeksizin değiştirilebilir.
- Özellikler ve akü ülkeye göre farklılıklar gösterebilir.
- EPTA Prosedürü 01/2003 uyarınca ağırlık (akü dahil)

Amaçlanan kullanım ENE020-1
Makine ahşap, plastik ve demir içeren malzemeleri testereyle kesmek için öngörülmüştür.

Genel Elektrikli Aletler Güvenlik Uyarıları

GEA010-1

⚠ UYARI Tüm güvenlik uyarılarını ve tüm talimatları okuyun. Verilen uyarılara ve talimatlara uyulmaması elektrik çarpmasına, yangına ve/veya ciddi yaralanmalara yol açabilir.

Tüm uyarıları ve talimatları ilerde başvurmak üzere saklayın.

AKÜLÜ KILIÇ TESTEREYLE İLGİLİ GÜVENLİK UYARILARI

GEB048-2

1. Kesici parçanın, gömülü elektrik kablolarına temas edebileceği uygulamalarda makineyi yalıtılmış saptarılarından tutun. Kesici parçanın elektrik akımı bulunan kablolara temas etmesi halinde akım, iletken

metal parçalar üzerinden operatöre iletilerek, elektrik çarpmasına yol açabilir.

2. **İş parçasını sabit bir platform üzerine sabitlemek ve desteklemek için mengene ya da benzer bir alet kullanın.** İş parçasının elle tutulması ya da vücuda dayanması iş parçasının sabit tutulmamasına ve kontrolün kaybedilmesine neden olabilir.
3. **Her zaman koruyucu gözlük kullanın. Normal gözlük veya güneş gözlüğü koruyucu gözlük DEĞİLDİR.**
4. **Çivileri kesmeyin. Çalışmaya başlamadan önce iş parçası üzerinde herhangi bir çivi olup olmadığını kontrol edin, varsa çıkartın.**
5. **Çok büyük iş parçalarını kesmeyin.**
6. **Kesme işlemine başlamadan önce iş parçasının arkasında bıçağın zemine, tezgaha vs. çarpmasına önleyecek, uygun açıklığın bulunup bulunmadığını kontrol edin.**
7. **Aleti sıkıca kavrayın.**
8. **Bıçağın makine çalıştırılmadan önce iş parçasıyla temas etmemesine dikkat edin.**
9. **Ellerinizi hareketli parçalardan uzak tutun.**
10. **Makineyi çalışır durumda bırakıp uzaklaşmayın. Makineyi yalnızca ellerinizle tutarken çalıştırın.**

11. Bıçağı iş parçası üzerinde bırakmadan önce makineyi kapatın ve bıçak tamamen durana kadar bekleyin.
12. Çalışmanız biter bitmez aşırı sıcak olabileceğinden dolayı bıçağa veya iş parçasına dokunmayın, aksi takdirde yanıklar meydana gelebilir.
13. Aleti gereksiz yere yüksüz çalıştırmayın.
14. Her zaman çalıştığınız malzemeye ve uygulamaya uygun toz/gaz maskesi kullanın.
15. Bazı malzemeler toksik olabilecek kimyasal maddeler içerebilir. Tozu solumamaya dikkat edin ve cilt temasından kaçının. Malzeme üreticisinin güvenlik uyarılarını dikkate alın.

BU TALİMATLARI SAKLAYIN.

⚠ UYARI:

Ürünü kullanırken (defalarca kullanmanın getirdiği) rahatlık ve tanıdıklık duygusunun, güvenlik kurallarına sıkı sıkıya bağlı kalmanızı önlemesine İZİN VERMEYİN. YANLIŞ KULLANIM veya bu kullanım kılavuzunda belirtilen güvenlik kurallarına uyulmaması ciddi yaralanmalara neden olabilir.

ÖNEMLİ GÜVENLİK TALİMATLARI

ENC007-9

AKÜ İÇİN

1. Aküyü kullanmaya başlamadan önce (1) akü şarj cihazı, (2) akü ve (3) akünün takıldığı ürüne ilişkin tüm talimatları ve uyarıları okuyun.
2. Aküyü sökmeye çalışmayın.
3. Çalışma süresinde önemli bir kısılma gözlerseniz, hemen çalışmayı bırakın. Bu durum aşırı ısınmaya, yangına ve hatta patlamaya yol açabilir.
4. Elektrolit (akü sıvısı) gözlerinize temas ederse, bol temiz suyla yıkayın ve derhal bir doktora başvurun. Elektrolit körlüğe neden olabilir.
5. Akünün kısa devre yapmasını önleyin:
 - (1) Herhangi bir iletken nesne ile akü uçlarına dokunmayın.
 - (2) Aküyü çivi, madeni para vb. metal nesnelerin bulunduğu bir yerde saklamayın.
 - (3) Aküyü suya veya yağmura maruz bırakmayın. Aküde oluşan kısa devre büyük bir elektrik akımına, aşırı ısınmaya, yangına ve aletin bozulmasına yol açabilir.
6. Aleti ve aküyü 50°C (122°F) sıcaklığa ulaşabilecek veya bu değeri aşabilecek ortamlarda saklamayın.
7. Önemli ölçüde hasar görmüş veya tümüyle tükenmiş olsa da aküyü kesinlikle yakarak imha etmeye çalışmayın. Akü ateşe atıldığında patlayabilir.
8. Akünün düşmemesine ve darbe almamasına dikkat edin.
9. Hasarlı bir aküyü kesinlikle kullanmayın.
10. Akünün atılması sırasında ilgili yönetmeliklere uyun.

BU TALİMATLARI SAKLAYIN.

Akünün öngörülen maksimum ömrü dolana kadar kullanılması için öneriler

1. Aküyü tamamen boşalmasını beklemeden şarj edin.
Aletin çalışma gücünde bir azalma gördüğünüzde, mutlaka çalışmayı bırakıp, aküyü şarj edin.
2. Tam olarak şarj edilmiş bir aküyü tekrar şarj etmeyin.
Akünün normalden fazla şarj edilmesi ömrünü kısaltır.
3. Aküyü 10°C - 40°C (50°F - 104°F) değerlerini aşmayan oda sıcaklığında şarj edin. Akü ısınmışsa, şarj etmeden önce soğumasını bekleyin.
4. Uzun (altı ayı aşkın) bir süredir kullanmıyorsanız aküyü şarj edin.

KULLANIMA İLİŞKİN TANIMLAR

⚠ DİKKAT:

- Makine üzerinde ayar veya başka bir kontrol işlemi gerçekleştirmeden önce makinenin kapalı ve aküsünün çıkartılmış olduğundan emin olun.

Akünün takılması ve sökülmesi (Şekil 1)

⚠ DİKKAT:

- Aküyü takmadan veya çıkarmadan önce mutlaka makineyi kapalı konuma getirin.
- Aküyü takarken ve çıkartırken makineyi ve aküyü sıkıca tutun. Aksi takdirde, makine ve akü elinizden kayarak düşebilir ve neticesinde makine ve akü hasarları ve yaralanmalar meydana gelebilir.

Aküyü çıkarmak için akünün ön tarafında bulunan düğmeye bastırın ve aküyü çekerek makineden çıkartın. Aküyü takmak için aküdeki dili makine gövdesindeki girintiyle aynı hizaya getirin ve aküyü iterek yerine oturmasını sağlayın. Akünün tam yerine oturduğunu klik sesinden anlayabilirsiniz. Düğmenin üst tarafında bulunan kırmızı göstergelyi görüyorsanız, akü tam olarak kilitlememiştir.

⚠ DİKKAT:

- Kırmızı gösterge tamamen kayboluncaya kadar aküyü itin. Aksi takdirde, akü makineden kayıp düşebilir ve operatörün veya çevredeki kişilerin yaralanmasına neden olabilir.
- Aküyü zorlayarak takmaya çalışmayın. Akünün makineye rahatça takılamaması, yanlış takıldığıını gösterir.

Akü koruma sistemi (Yıldız işaretli lityum akülerde) (Şekil 2)

Yıldız işaretli lityum akülerde koruma sistemi mevcuttur. Bu sistem, akü ömrünü uzatmak için makineye beslenen gücü otomatik olarak keser.

Makine ve/veya akü için aşağıda sıralanan durumlardan birinin geçerli olması halinde, çalışmayı otomatik olarak durdurur:

- Aşırı yüklenme:

Makine anormal yüksek akım çekecek şekilde çalışır.

Böyle bir durumda, makine üzerindeki açma/kapama düğmesinden/mandalından elinizi çekin ve makinenin aşırı yüklenmesine neden olan uygulamayı durdurun. Ardından, yeniden başlatmak için açma/kapama düğmesine/mandalına tekrar basın.

Makine çalışmıyorsa, akü aşırı ısınmıştır. Böyle bir durumda, açma/kapama düğmesine/mandalına tekrar basmadan önce akünün soğumasını bekleyin.

• Düşük akü gerilimi:

Kalan akü kapasitesi çok düşüktür ve makine çalışmıyordur. Böyle bir durumda, aküyü çıkartın ve şarj edin.

Kalan akü kapasitesinin kontrol edilmesi

(Yalnızca model numarasının sonunda "B" harfi içeren akülerde mevcuttur.) (Şekil 3)

Kalan akü kapasitesini görmek için akü üzerindeki kontrol düğmesine basın. Ardından, gösterge lambaları birkaç saniye yanar.

Gösterge lambaları			Kalan kapasite
Açık	Kapalı	Yanıp söniyor	
■	□	◻	
■ ■ ■ ■			%75 ile %100 arası
■ ■ ■ □			%50 ile %75 arası
■ ■ □ □			%25 ile %50 arası
■ □ □ □			%0 ile %25 arası
◻ □ □ □			Aküyü şarj edin.
◻ □ □ □	↑ ↓	■ ■	Akü bozulmuş olabilir.

015658

NOT:

- Gösterilen kapasite seviyesi, kullanım koşullarına ve ortam sıcaklığına bağlı olarak gerçek seviyeden bir miktar farklı olabilir.

Açma/kapama işlemi

⚠ DİKKAT:

- Aküyü makineye takmadan önce, açma/kapama mandalının/düğmesinin kusursuz çalışıp çalışmadığını ve açma/kapama mandalı/düğmesi bırakıldığında makinenin "KAPALI" konuma dönüp dönmediğini mutlaka kontrol edin. (Şekil 4)

Açma/kapama mandalının/düğmesinin yanlışlıkla çekilmesini önlemek için, makinede bir kilit açma mandalı/düğmesi mevcuttur.

Makineyi çalıştırmak için açma/kapama mandalına veya düğmesine basmanız yeterlidir.

- Makineyi açma/kapama mandalı ile çalıştırmak için, kilit açma mandalını çekin ve ardından açma/kapama mandalını çekin.

- Makineyi açma/kapama düğmesi ile çalıştırmak için, kilit açma düğmesine basın ve ardından açma/kapama düğmesine basın. Kilit açma düğmesine soldan veya sağdan basılabilir.

Makine hızı, açma/kapama mandala/düğmeye uyguladığınız basınca göre artar. Makineyi durdurmak için mandalı/düğmeyi bırakın.

İKAZ:

Kilit açma düğmesine/mandalına basmadan açma/kapama düğmesini/mandalını çekmeye çalışmayın. Aksi takdirde, açma/kapama düğmesi kırılabilir.

Ön lambanın yakılması (Şekil 5)

⚠ DİKKAT:

- Lambaya veya ışık kaynağına doğrudan bakmayın.

Lambanın yanması için açma/kapama mandalına/düğmesine basın. Lamba, açma/kapama mandalına/düğmesine basıldığı sürece yanar.

Lamba, açma/kapama düğmesinin/mandalının bırakılmasından sonra 10-15 saniye içerisinde otomatik olarak söner.

Pabucun ayarlanması (Şekil 6)

Bıçağın keskin kenarı boyunca herhangi bir noktadaki kesme veriminin düşmesi halinde bıçağın keskin kenarının keskin ve kullanılmamış bölümünü kullanmak için pabucun konumunu değiştirin. Bu işlem bıçak ömrünün uzamasına yardımcı olacaktır.

Pabucu yeniden konumlandırmak için, civatayı Alyan anahtarıyla gevşetin. Pabucu istediğiniz konuma kaydırın ve ardından civatayı sağlam şekilde sıkın.

MONTAJ

⚠ DİKKAT:

- Makine üzerinde herhangi bir işlem yapmadan önce makinenin kapalı ve aküsünün çıkartılmış olduğundan emin olun.

Testere bıçağının takılması ve sökülmesi

⚠ DİKKAT:

- Bıçağa, bıçak mengenesine ve/veya sürgüsüne yapışan çapakları ve yabancı maddeleri temizleyin. Çapakların ve yabancı maddelerin temizlenmemesi bıçağın yeterli şekilde sıkılmasını engelleyebilir ve ciddi yaralanmalara neden olabilir.

DJR143, DJR183 Modeli için (Şekil 7)

Kılıç testere bıçağını bıçak mengenesinin içine doğru sonuna kadar itirin. Bıçak mengene bileziği dönecek ve testere bıçağı sabitlenecektir. Testere bıçağını çekip çıkarmaya çalışsanız bile, yerinden çıkmadığından emin olun.

⚠ DİKKAT:

- Testere bıçağını yeterince derine kadar itirmezseniz, çalışma esnasında testere bıçağı beklenmedik bir şekilde yerinden çıkabilir. Bu da oldukça tehlikeli olabilir.

NOT:

- DJR143 veya DJR183 modeliyle birlikte dekupaj testere bıçağı kullanamazsınız. (Şekil 8)

Testere bıçağını çıkarmak için bıçak mengene bileziğini ok yönünde sonuna kadar döndürün. Testere bıçağı çıkar ve bıçak mengene bileziği serbest konumunda sabitlenir.

NOT:

- Testere bıçağını, bıçak mengene bileziğini sonuna kadar döndürmeden çıkartırsanız, bilezik sabitlenemeyebilir. Bu durumda bıçak mengene bileziğini sonuna kadar çevirin ve ardından bileziği serbest konumda sabitleyin.

DJR145, DJR185 Modeli için (Şekil 9 ve 10)

Testere bıçağını takmak için, civatayı Alyan anahtarıyla gevşetin.

Kılıç testere bıçağını takmak için, bıçağı takarken yuvayı açmak üzere civatayı Alyan anahtarıyla bastırın. (Şekil 11 ve 12)

Çalışmanıza uygun dekupaj testere bıçakları (B tipi) veya kılıç testere bıçakları kullanabilirsiniz. Testere bıçağını doğrudan bıçak mengenesinin içine doğru sonuna kadar itirin ve Alyan anahtarıyla sıkın. Testere bıçağının çalıştırma sırasında düşmeyeceğinden emin olmak için, testere bıçağını hafifçe çekmeye çalışın.

Testere bıçağını çıkarmak için, takma işlemlerini ters sırayla uygulayın.

Alyan anahtarının saklanması (Şekil 13)

Alyan anahtar kullanılmadığında, kaybolmaması için şekilde gösterildiği gibi saklanmalıdır.

ÇALIŞTIRMA

⚠ DİKKAT:

- Çalıştırma esnasında pabucu daima işparçasına sıkı bir şekilde dayayın. Pabuç çalışma esnasında işparçasından uzakta tutulursa, güçlü titreşimler ve/veya bükülmeler meydana gelerek bıçağın tehlikeli şekilde oturmaması neden olabilir.
- Metal parçaları keserken, elinizi sıçrayan sıcak çapaklardan korumak için daima eldiven takın.
- Daima yürürlükteki ulusal standartlara uygun bir koruyucu gözlük kullanın.
- Metal parçaları keserken daima uygun bir soğutucu (soğutucu yağı) kullanın. Aksi takdirde, bıçak normalden önce aşınabilir. (Şekil 14)

Pabucu işparçasına sıkı bir şekilde bastırın. Makinenin zıplamasına izin vermeyin. Testere bıçağını işparçası ile hafifçe temas edecek şekilde tutun. Öncelikle, düşük hızda bir kılavuz oluşu oluşturun. Ardından, kesme işlemine daha yüksek bir hızda devam edin. (Şekil 15 ve 16)

- Çalışmanıza göre açma/kapama mandalını veya düşmesini kullanabilirsiniz.

NOT:

- Makine, akü bitene kadar sürekli olarak çalıştırılmışsa, dolu bir akü ile yeniden çalışmaya başlamadan önce 15 dakika kadar bekleyin.

BAKIM

⚠ DİKKAT:

- Makine üzerinde kontrol veya bakım işlemlerine başlamadan önce mutlaka makinenin kapalı ve akünün çıkartılmış olduğundan emin olun.

- Kesinlikle gazolin, benzin, tiner, alkol veya benzeri bir madde kullanmayın. Aksi takdirde renk bozulması, deformasyon veya çatlaklar meydana gelebilir. Ürünün EMNİYETLİ ve GÜVENİLİR durumda kalmasını sağlamak için tüm onarımlar, bakım ve ayarlar Makita yetkili servisleri veya fabrika servis merkezleri tarafından Makita yedek parçaları kullanılarak yapılmalıdır.

OPSİYONEL AKSESUARLAR

⚠ DİKKAT:

- Bu kullanım kılavuzunda tanıtilan Makita marka makineyle aşağıdaki aksesuarların ve parçaların kullanılması önerilir. Bunların dışında başka aksesuarların veya parçaların kullanılması yaralanmalara yol açabilir. Aksesuarlar ve parçalar doğru şekilde ve öngörüldükleri işlevler için kullanılmalıdır.
- Aksesuarlara ilişkin daha ayrıntılı bilgi almak için size en yakın yetkili Makita servisine başvurabilirsiniz.
- Kılıç testere bıçakları
- Dekupaj testere bıçakları (yalnızca DJR145 ve DJR185 Modeli için)
- Orijinal Makita aküsü ve şarj cihazı

NOT:

- Listedeki bazı parçalar makineyle birlikte standart aksesuar olarak verilebilir. Ürünle verilen aksesuarlar ülkeden ülkeye farklılıklar gösterebilir.

Gürültü

ENG905-1

EN60745 uyarınca belirlenen tipik A ağırlıklı gürültü seviyesi:

DJR143 ve DJR185 Modeli

Ses basıncı seviyesi (L_{pA}): 76 dB (A)
Belirsizlik (K): 3 dB (A)

Çalışma sırasında gürültü seviyesi 80 dB (A)'yı aşabilir.

DJR145 ve DJR183 Modeli

Ses basıncı seviyesi (L_{pA}): 77 dB (A)
Belirsizlik (K): 3 dB (A)

Çalışma sırasında gürültü seviyesi 80 dB (A)'yı aşabilir.

Koruyucu kulaklık takın.

Titreşim

ENG900-1

EN60745'e göre belirlenen toplam titreşim değeri (üç eksenli vektörel toplam):

DJR143 ve DJR145 Modeli

Çalışma modu: ahşap pano kesme
Titreşim emisyonu ($a_{h, B}$): 7,0 m/s²
Belirsizlik (K): 1,5 m/s²

Çalışma modu: ahşap kiriş kesme
Titreşim emisyonu ($a_{h, WB}$): 7,0 m/s²
Belirsizlik (K): 1,5 m/s²

DJR183 ve DJR185 Modeli

Çalışma modu: ahşap pano kesme
Titreşim emisyonu ($a_{h, B}$): 8,0 m/s²
Belirsizlik (K): 1,5 m/s²

Çalışma modu: ahşap kiriş kesme
Titreşim emisyonu ($a_{h, WB}$): 7,0 m/s²
Belirsizlik (K): 1,5 m/s²

- Belirtilen titreşim emisyonu değeri, standart test yöntemine göre ölçülmüştür ve makinenin diğer makinelerle karşılaştırılması için kullanılabilir.
- Belirtilen titreşim emisyonu değeri ayrıca maruziyetin ön değerlendirilmesinde de kullanılabilir.

⚠ UYARI:

- Elektrikli aletin gerçek kullanımı sırasında ortaya çıkacak titreşim emisyonu, aletin kullanıma şekline bağlı olarak belirtilen emisyon değerinden farklı olabilir.
- Gerçek kullanım koşullarındaki maruziyeti tahmin ederek (örneğin, aletin açılma süresine ek olarak kapalı konuma getirildiği ve rölantide çalıştığı süreler gibi çalışma döngüsünün tüm bileşenlerini dikkate alın), kullanıcıyı korumak için gerekli güvenlik önlemlerinin alındığından emin olun.

Yalnızca Avrupa ülkeleri için

ENH101-17

AT Uygunluk Beyanı

Makita aşağıdaki Makine(ler) ile ilgili şu hususları beyan eder:

Makinenin Adı:

Akülü Kılıç Testere

Model Numarası/Tipi: DJR143, DJR145, DJR183, DJR185

Şu Avrupa Yönergelerine uygundur:

2006/42/EC

Şu Standartlara veya standartlaştırılmış belgelere uygun olarak üretilmiştir:

EN60745

2006/42/EC'ye uygun Teknik dosyaya şu adresten ulaşılabilir:

Makita, Jan-Baptist Vinkstraat 2, 3070, Belçika

31. 12. 2013



Yasushi Fukaya

Müdür

Makita, Jan-Baptist Vinkstraat 2, 3070, Belçika

Makita Jan-Baptist Vinkstraat 2, 3070, Belgium
Makita Corporation Anjo, Aichi, Japan

885229C994

www.makita.com

ALA