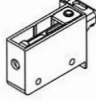
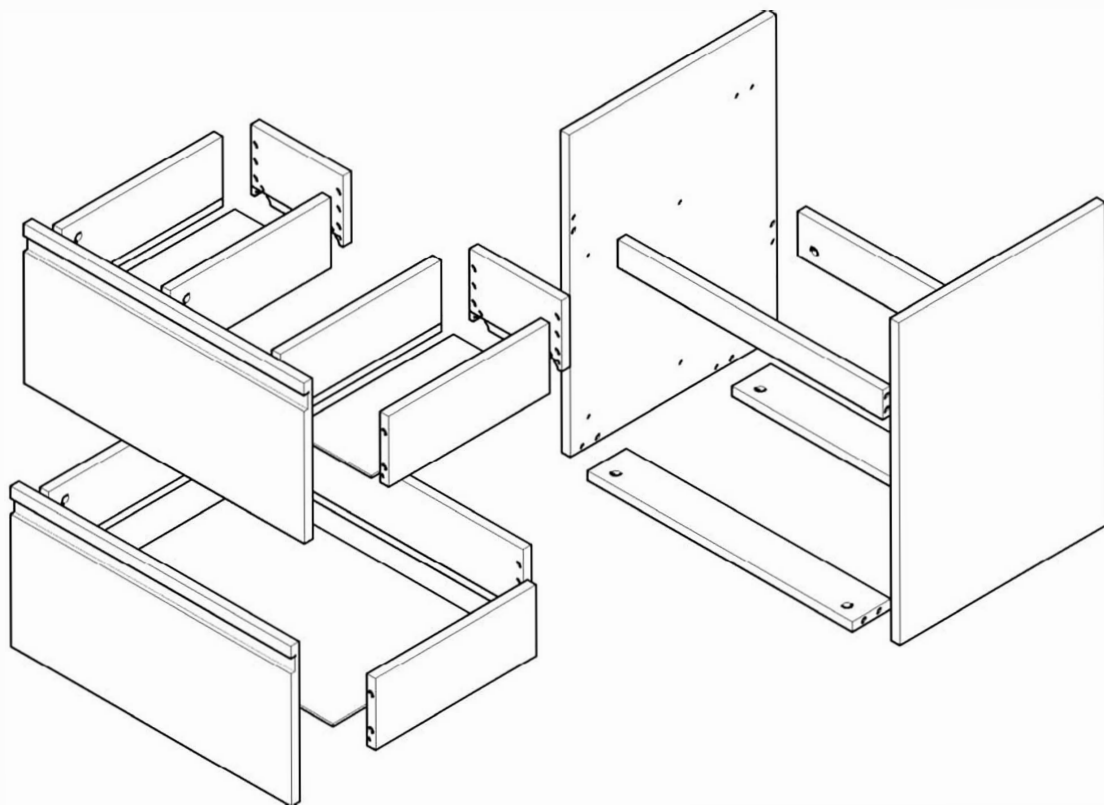
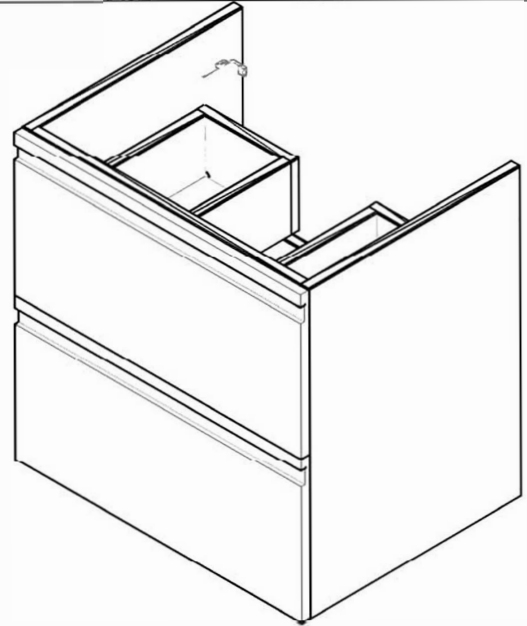
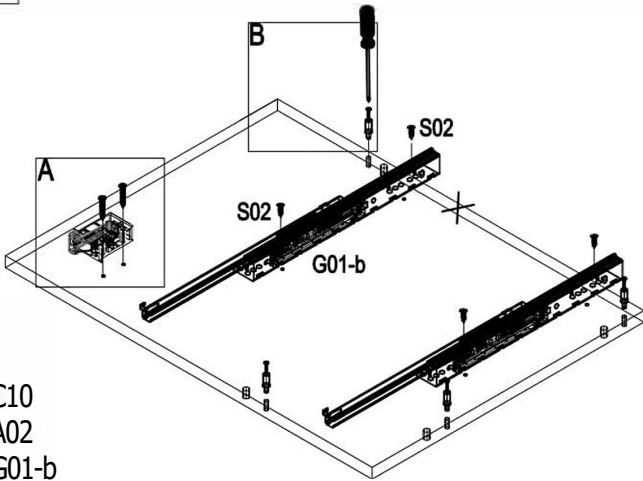


NR.40

	7x50		3.5x16						3.5x30		
s01	x6	s02	x8	s21	x4	co1	x20	s03	x4	001	x1
C10	X20	C11	x20			A01	OX1	A02		x1	

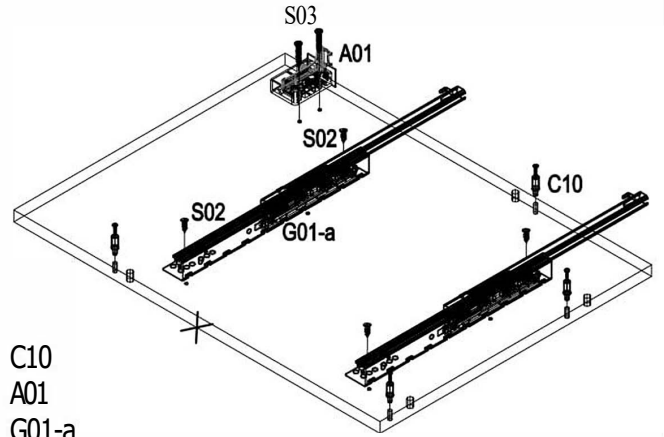


1.

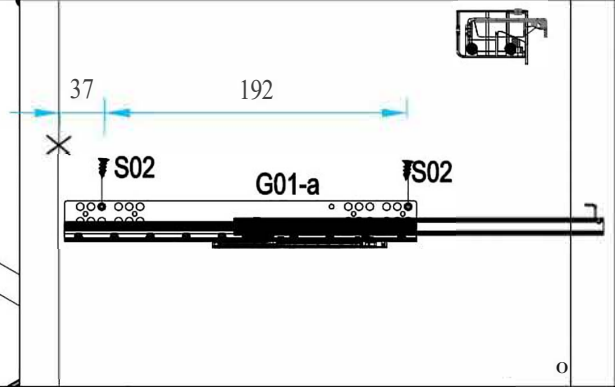
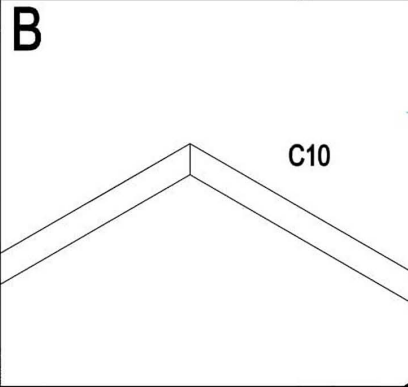
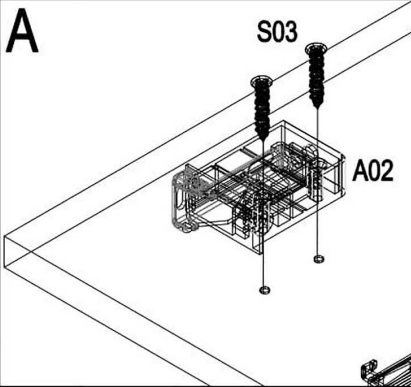


- 4x C10
- 1x A02
- 2x G01-b
- 2x S03
- 4x S02

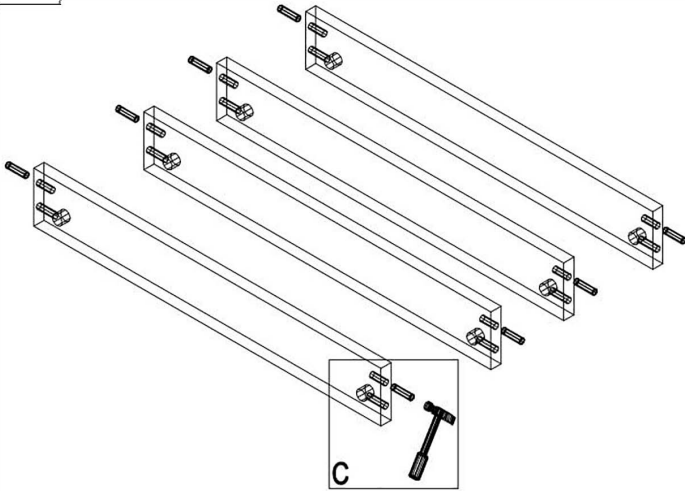
2.



- 4x C10
- 1x A01
- 2x G01-a
- 2x S03
- 4x S02

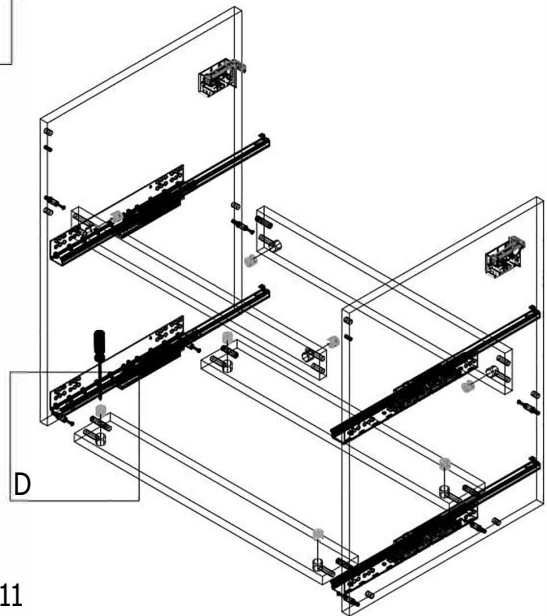


3.

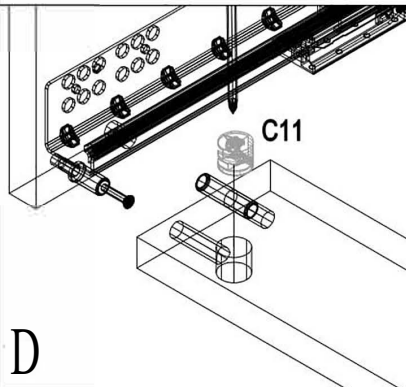
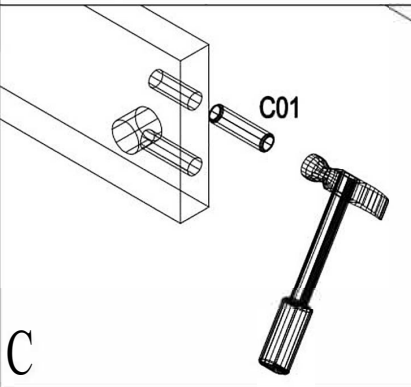


8x C01

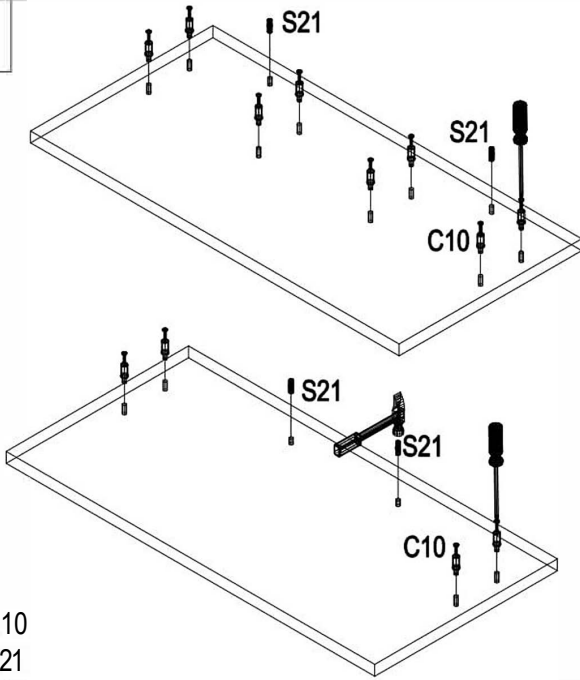
4.



8x C11

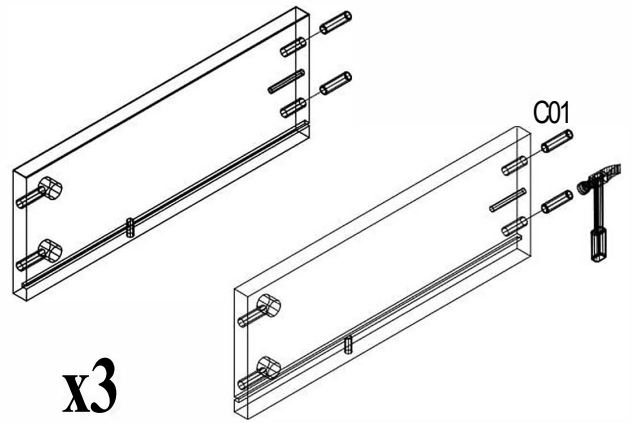


5.



12x C10
4x S21

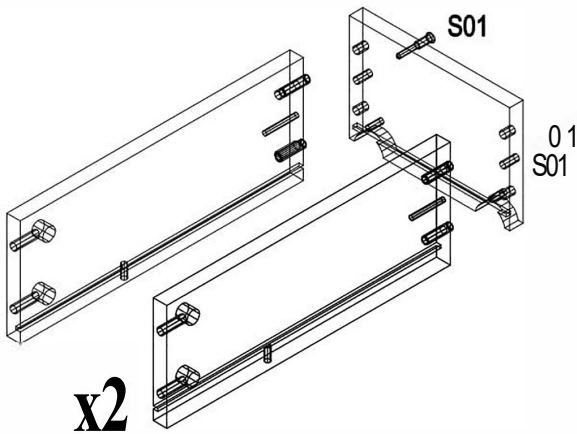
6.



x3

2x C01

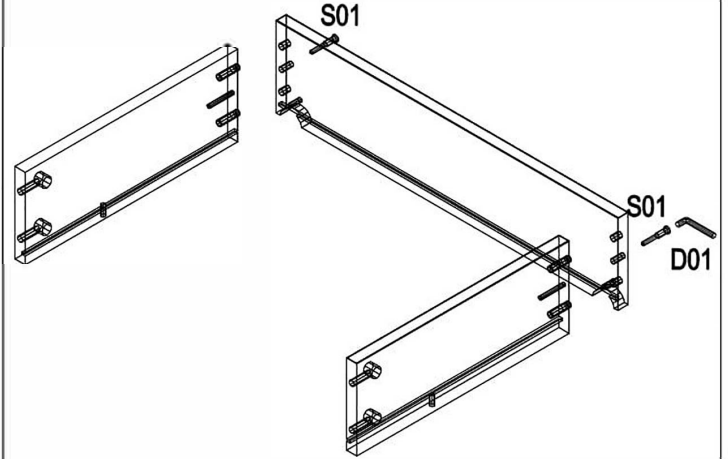
7.



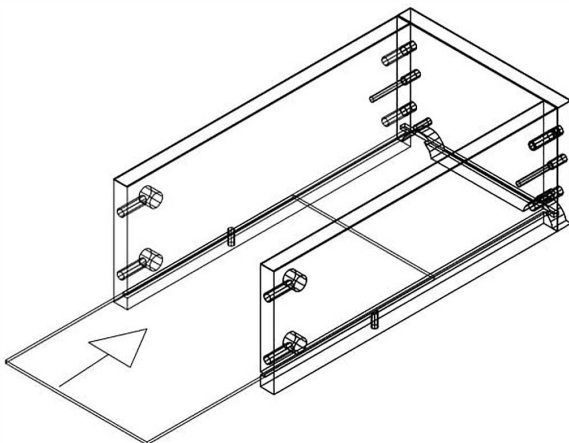
x2

1x D01
2x S01

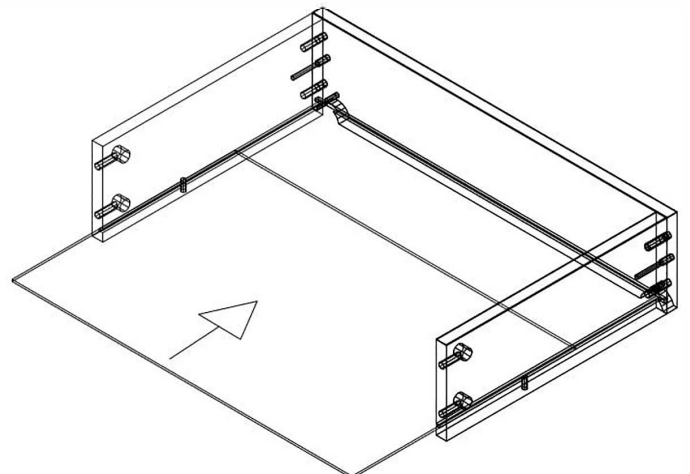
8.



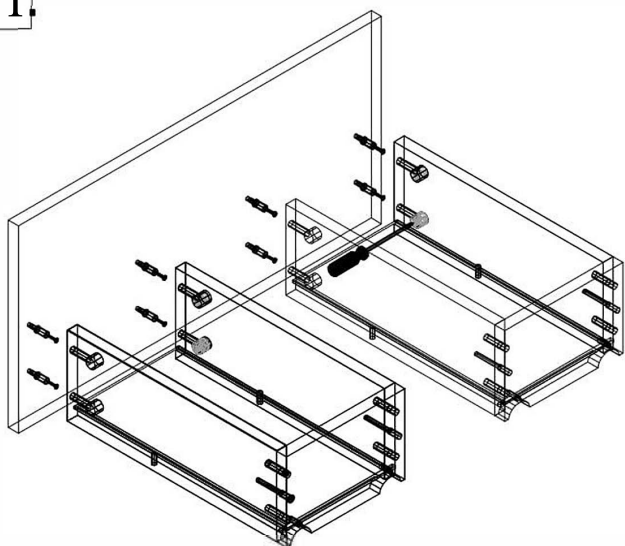
9.



10.

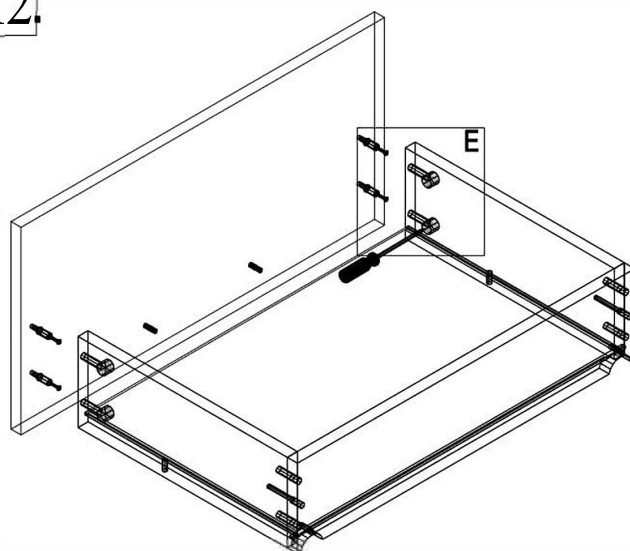


11.



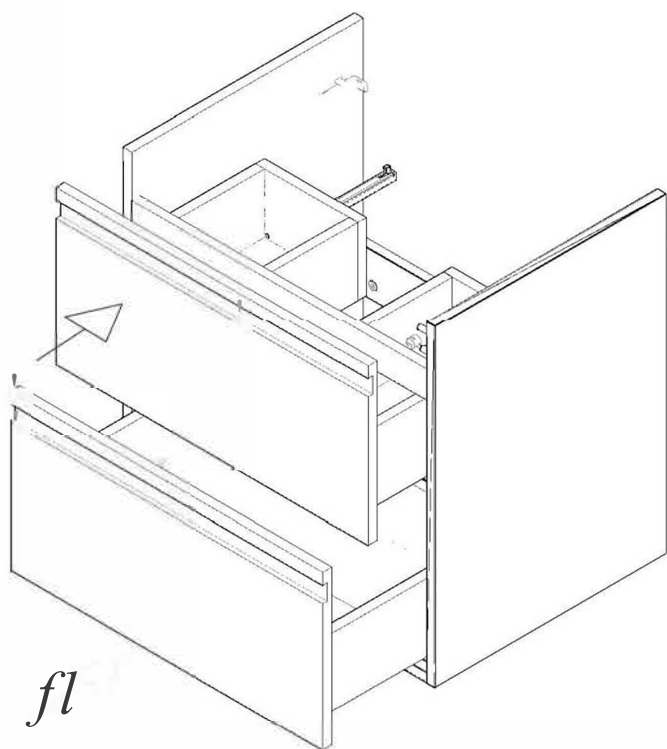
8x C11

12.



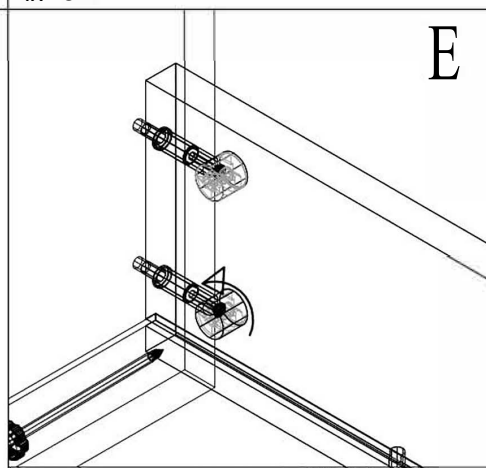
4x C11

13.

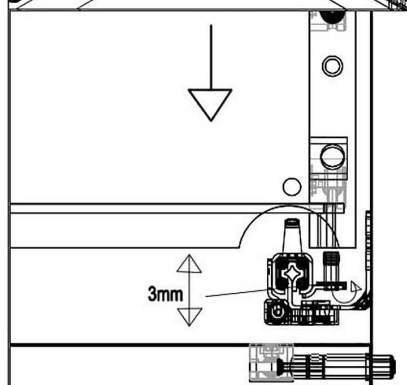


fl

E

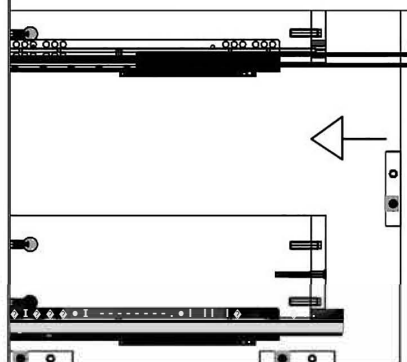


F

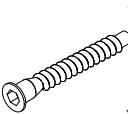



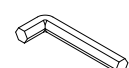
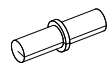
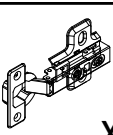
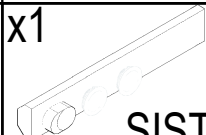


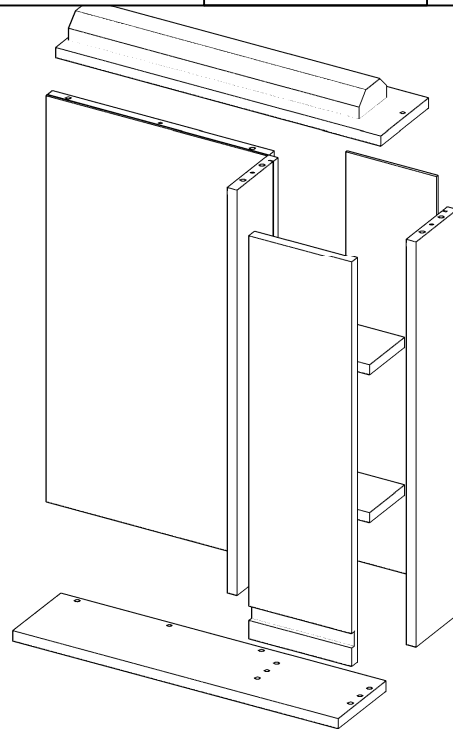
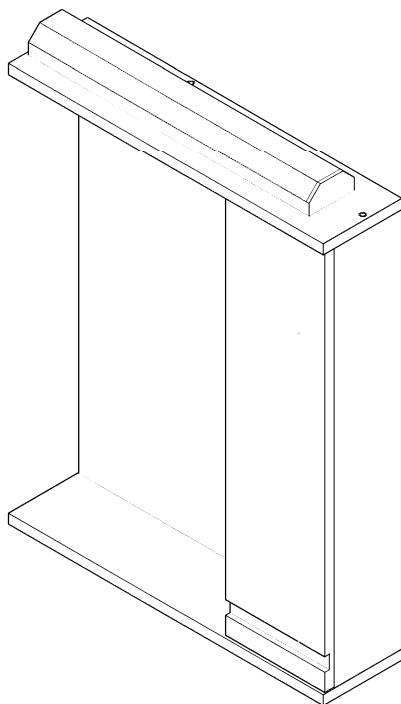
3mm

G

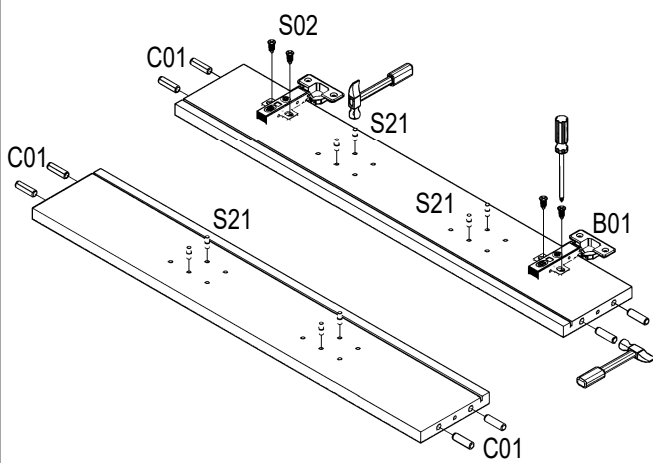


NR.34

 <p>S01 7x50</p>	 <p>S02 3.5x16</p>	 <p>A04</p>	 <p>C01</p>	 <p>D01</p>	 <p>S21</p>
<p>x6</p>	<p>x14</p>	<p>x2</p>	<p>x12</p>	<p>x1</p>	<p>x8</p>
 <p>B01</p>	 <p>S1</p>	<p>SIST.</p>			
<p>x2</p>	<p>x1</p>				

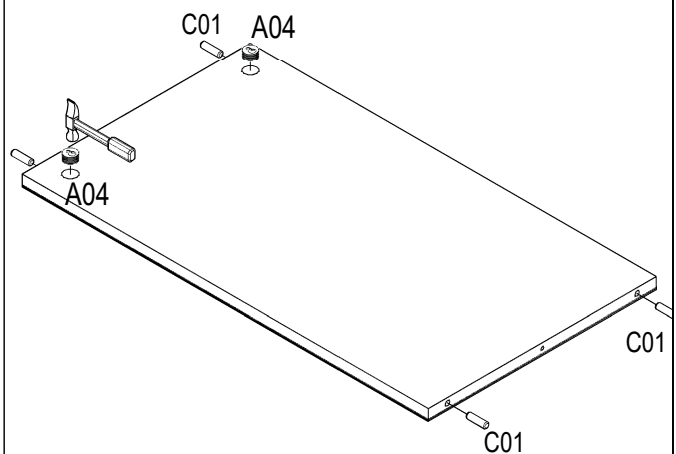


1.



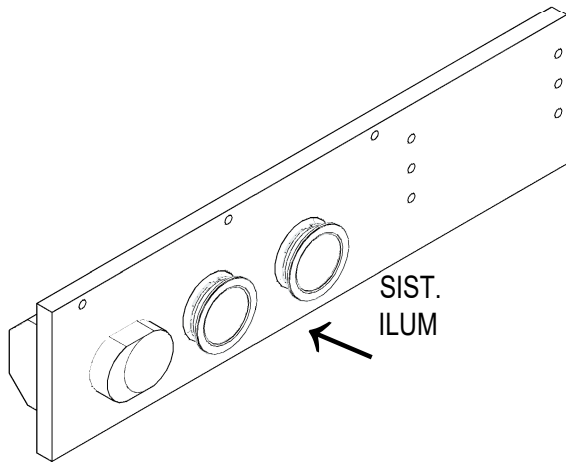
4xB01
4xS02
8xC01
8xS21

2.

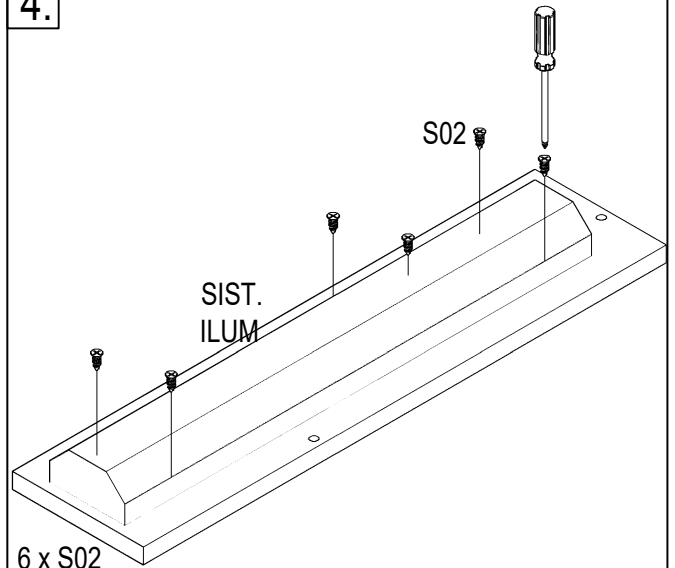


2xA04
4xC01

3.

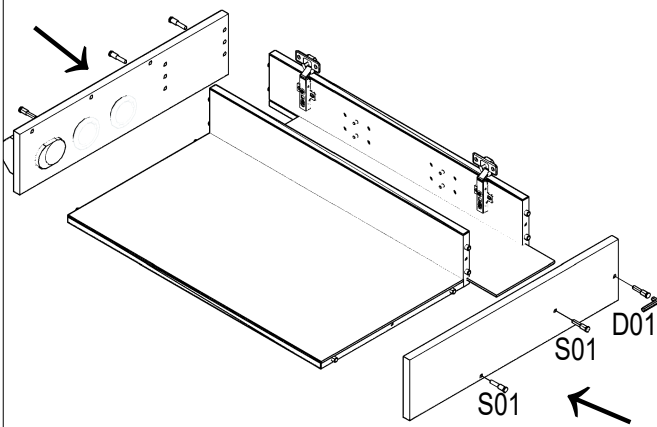


4.



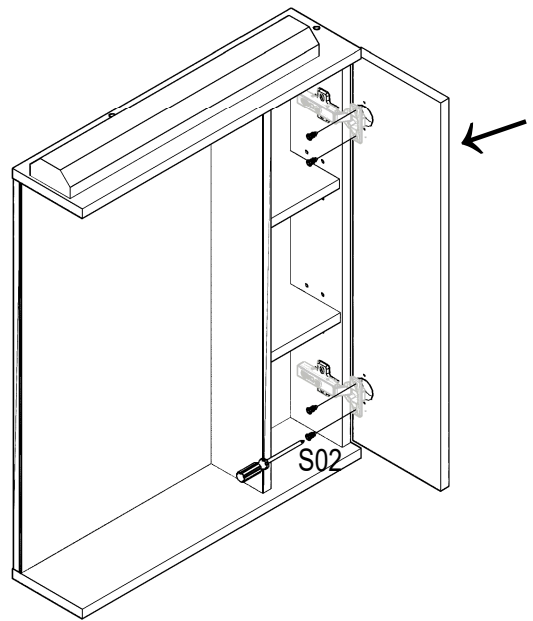
6 x S02
1x SIST. ILUM

5.



6xS01
1xD01

6.



4xS02