

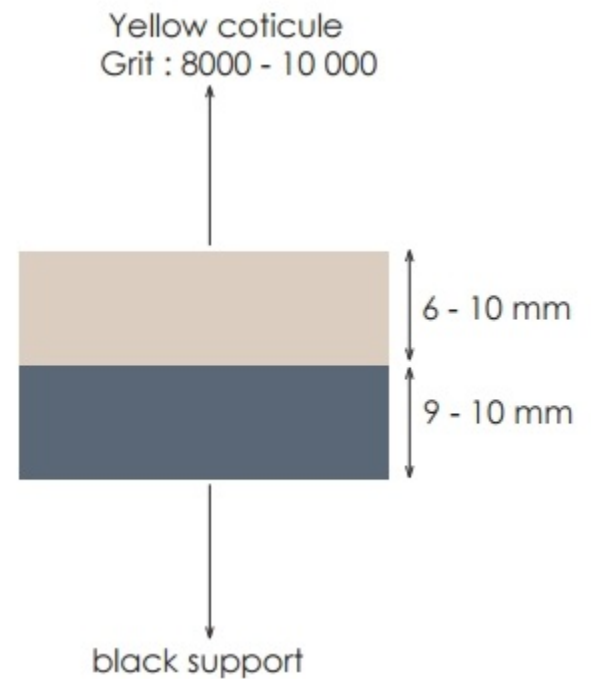
**Rectangular
Whetstone**
Coticule/Schist

The yellow coticule whetstone is glued on a black support
Coticule whetstones are made from top quality coticule veins.

Standard grade stones can show a few aesthetic defects.

Selected grade stones don't show these aesthetic defects.

Sizes in mm	STANDARD		SELECTED	
	Reference	Price	Reference	Price
Coticule 75x30	201		101	
Coticule 75x40	202		102	
Coticule 100x30	203		103	
Coticule 100x40	204		104	
Coticule 125x30	205		105	
Coticule 125x40	206		106	
Coticule 150x40	207		107	
Coticule 150x50	208		108	
Coticule 175x40	209		109	
Coticule 175x50	210		110	
Coticule 200x40	211		111	
Coticule 200x50	212		112	





**Irregular
Whetstone**
The Belgian
« Bout »

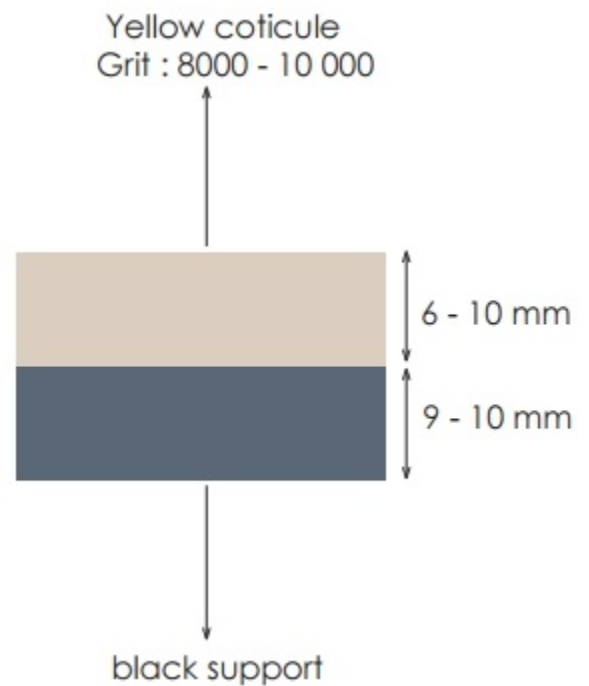
The coticule « Bout » are used for sharpening razors and knives.

These « Bout » are made from veins which does not allow rectangular cut.

Standard grade stones can show a few aesthetic defects.

Selected grade stones don't show these aesthetic defects.

Sizes in cm ²	STANDARD		SELECTED	
	Reference	Price	Reference	Price
Bout 1 (12-18)	401		301	
Bout 2 (18-22)	402		302	
Bout 3 (22-27)	403		303	
Bout 4 (27-33)	404		304	
Bout 5 (33-39)	405		305	
Bout 6 (39-48)	406		306	
Bout 7 (48-58)	407		307	
Bout 8 (58-70)	408		308	
Bout 9 (70-84)	409		309	
Bout 10 (84-102)	410		310	





Yellow coticule

Multiform stone

Coticule Multiform is used for making round & V-shaped chisels razor sharp.

Coticule Multiform has 1 round and 1 slanting side : **4 combinations**

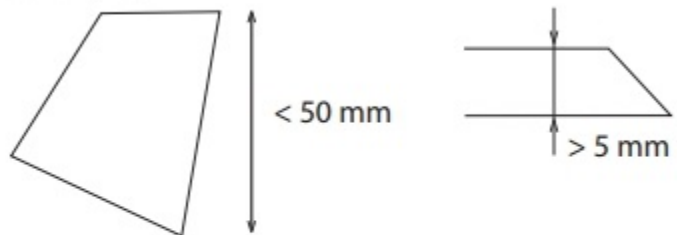
Diameter curved side : **< 5 mm** **> 5 mm** Length : **< 50 mm** **> 50 mm**.

Sizes	Reference	Price
- 5 mm / - 5 cm	501	
- 5 mm / + 5 cm	502	
+ 5 mm / - 5 cm	503	
+ 5 mm / + 5 cm	504	

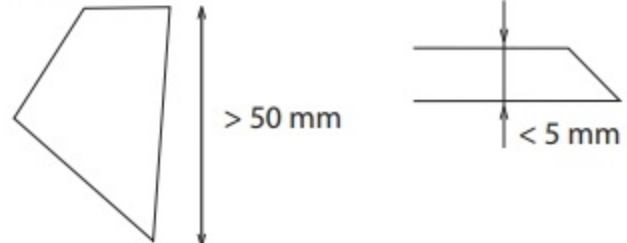
Size 1 : -5/-5



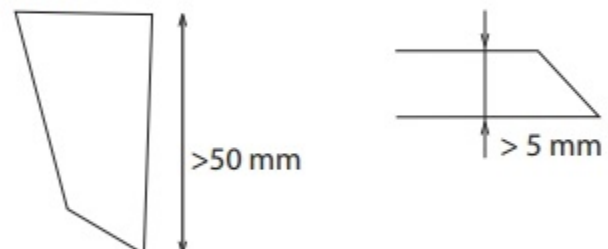
Size 2 : -5/+5



Size 3 : +5/-5



Size 4 : +5/+5



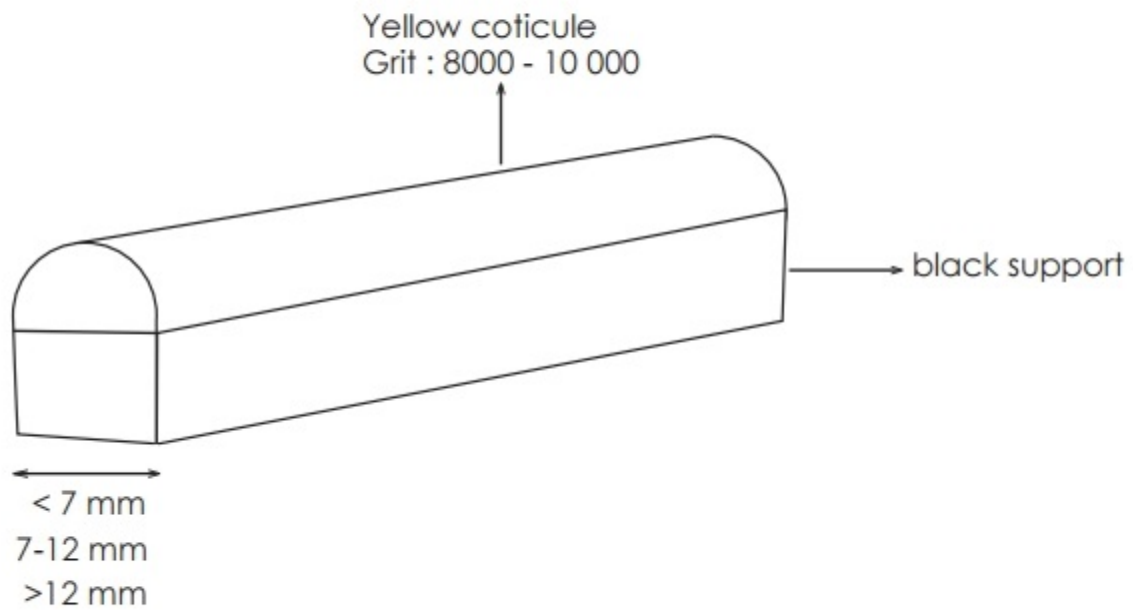


Yellow coticule
Slipstone

Coticule Slipstone is used for making round chisels razor sharp.

This slipstone has a Coticule layer glued on a black support (not for sharpening).

The length is **75 mm** and 3 different curve side diameters : **< 7 mm** **7-12 mm** **> 12 mm**.



Sizes in mm	Reference	Price
75 x 3 - 7	505	
75 x 7 - 12	506	
75 x 12 - 15	507	



Belgian Blue Whetstone

Rectangular stone

The spessartine garnets occur as well in the blue coticule (BBW) as in the yellow coticule with slight variation of quantity and size following the areas of the quarry.

The size of the blue coticule layers allows to process up to 5 cm thick stones with bigger surfaces reaching up to 300 x 100 mm and more. BBW is suitable for razors and knives.

Sizes in mm	Reference	Price
BBW 75x30	600	
BBW 100x30	601	
BBW 100x40	602	
BBW 125x30	625	
BBW 125x40	627	
BBW 150x40	605	
BBW 150x50	606	
BBW 150x60	607	
BBW 200x40	610	
BBW 200x50	611	
BBW 200x60	612	
BBW 200x80	614	
BBW 250x60	616	
BBW 250x80	618	
BBW 250x100	620	
BBW 300x100	621	
BBW slurry	622	



**Belgian
Blue
Whetstone**
Slipstone

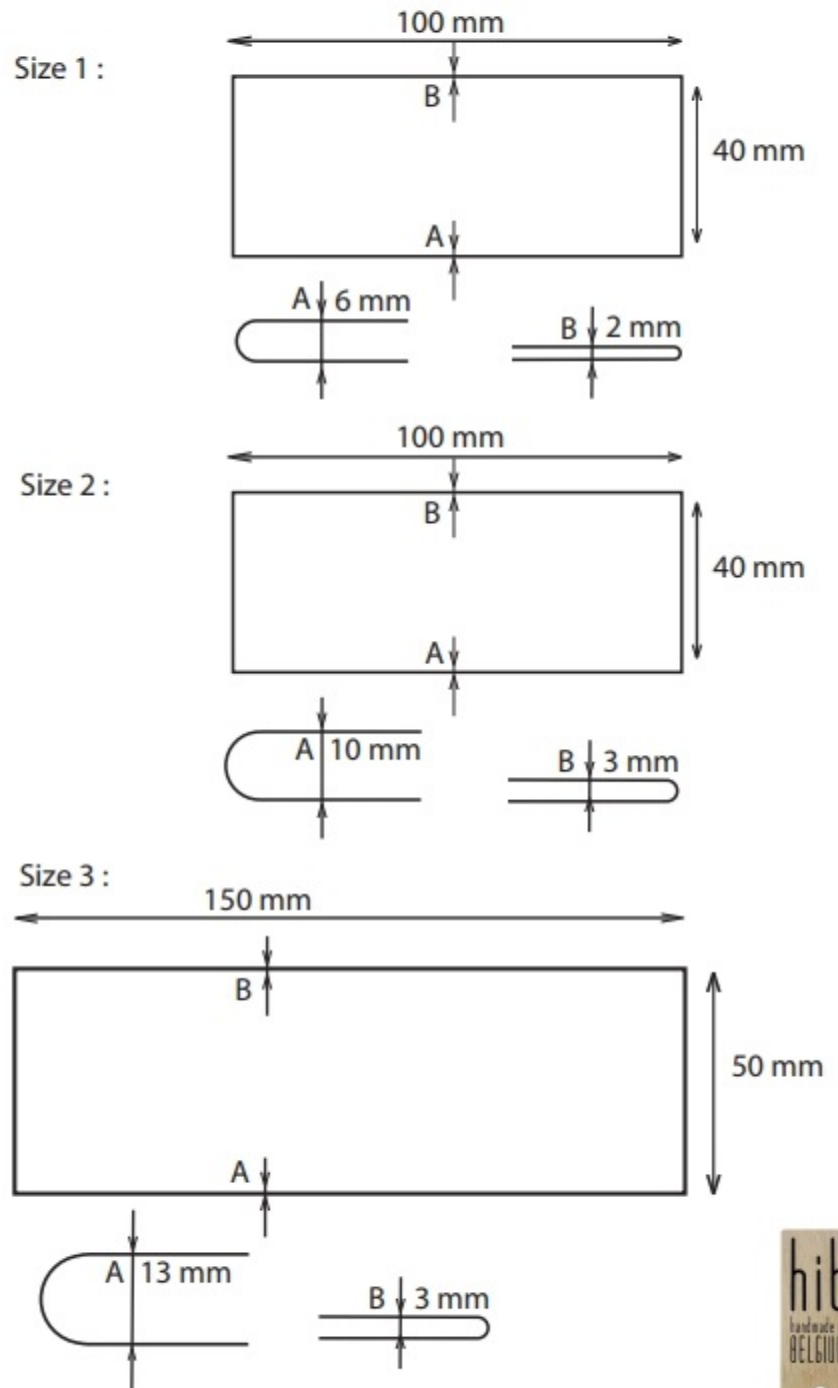


The BBW Slipstone sharpening for round chisels and gouges.

BBW Slipstone measures 100x40 mm or 150x50 mm.

3 combinations : diameters **6/2 mm**, **10/3 mm** and **13/3 mm**.

Sizes in mm	Reference	Price
6/2 -100x40	701	
10/3 -100x40	702	
13/3 -150x50	703	



**Belgian
Blue Whetstone**
Multiform stone

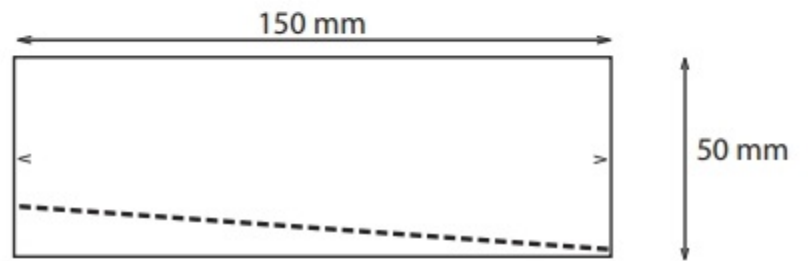


BBW Multiform is for the sharpening round and V-shaped chisels.

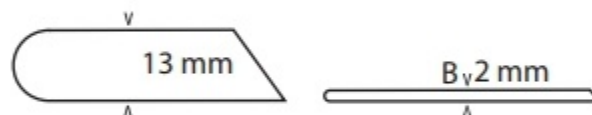
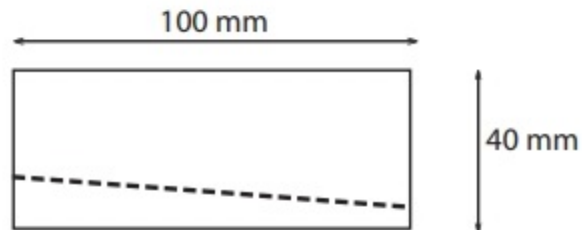
The BBW Multiform is available in **2 sizes**: 100x40 mm and 150x50 mm
The slanting side has an angle of 45° and the curve diameter of the curved side increases from 2 mm to 13 mm over the length of the stone.

Sizes in mm	Reference	Price
2/13 -150x50	705	
2/13 -100x40	706	

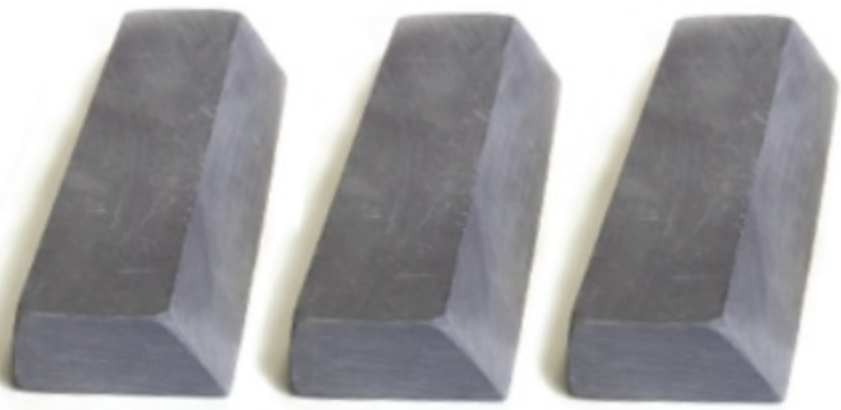
Size 1 :



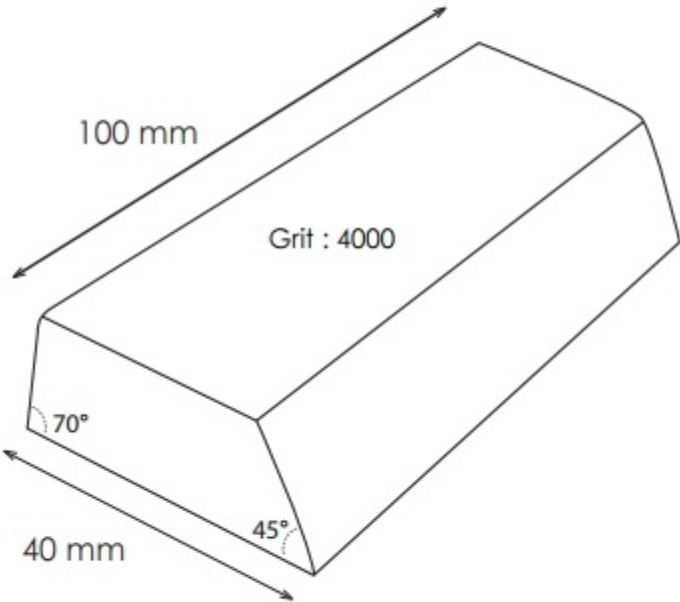
Size 2 :



**Belgian
Blue Whetstone**
V-stone



BBW V-stone is used for V-shaped chisels and gouges.
BBW V-stone measures 100x40 mm and has angles on the two long sides, 1 with an angle of 45° and the other with an angle of 70°.



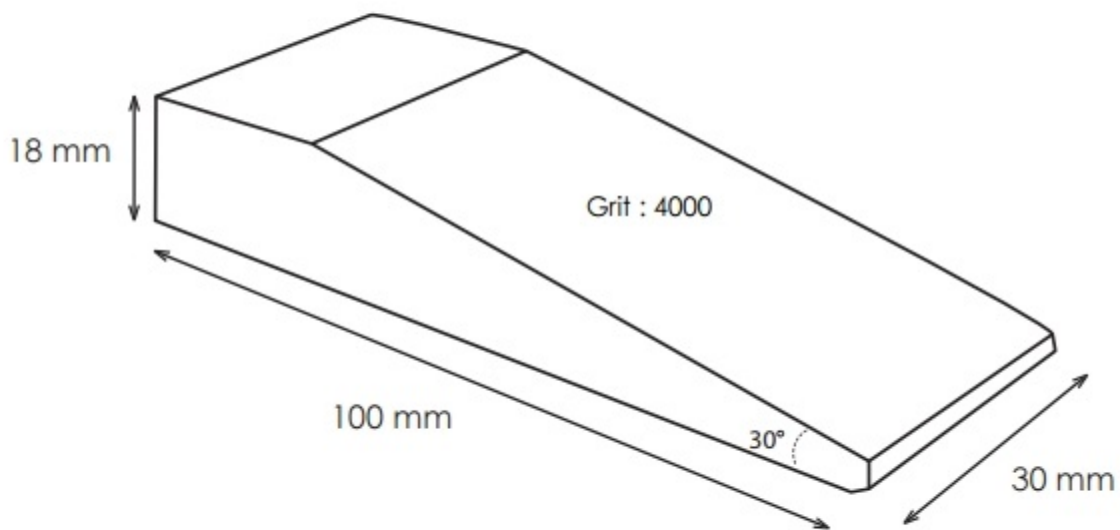
Size	Reference	Price
45/70° - 100x40	704	



Belgian Blue Whetstone

Pruner stone

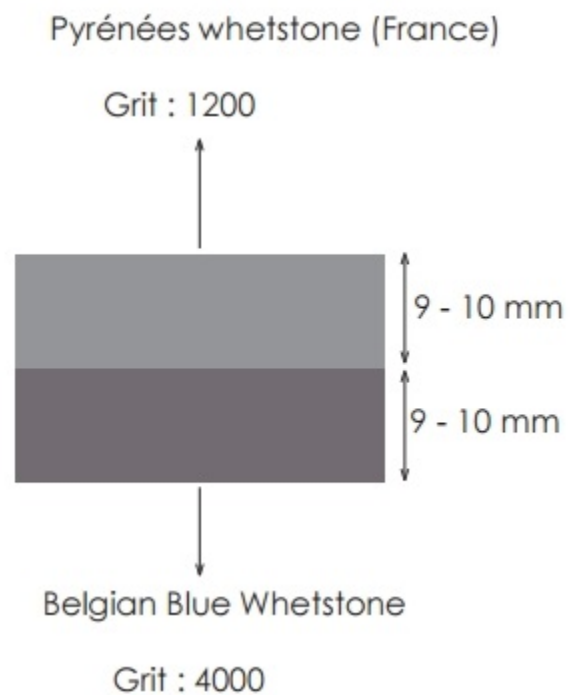
This stone is especially used for garden scissors.
This stone is highly appreciated to sharpen pruners in the vineyards.



Size	Reference	Price
100x30	707	



Sizes in mm	Reference	Price
75x30	849	
100x40	840	
150x40	841	
150x50	842	
150x60	843	
200x40	844	
200x50	845	
200x60	846	
250x60	847	





CotCarb

Combo
Carborundum
/BBW

The Carborundum is used to sharpen badly damaged blades and the BBW will give the final touch.
The Carborundum and the BBW are glued with silicone.
Both sides are sharpening.

Sizes in mm	Reference	Price
75x30	820	
100x40	821	
150x40	822	
150x50	823	
150x60	827	
200x50	828	
200x60	824	
250x60	825	





Sizes in mm	Reference	Price
Wood box 75 x 30	901	
Wood box 100 x 30	902	
Wood box 100 x 40	903	
Wood box 125 x 30	904	
Wood box 125 x 40	905	
Wood box 150 x 40	906	
Wood box 150 x 50	907	
Wood box 150 x 60	908	
Wood box 200 x 40	909	
Wood box 200 x 50	910	
Wood box 200 x 60	911	
Wood box 200 x 75	912	
Wood box 250 x 60	913	
Wood box 250 x 80	916	
Wood box 250 x 100	914	
Wood box 300 x 100	915	

