

MEDIA

OFFICE

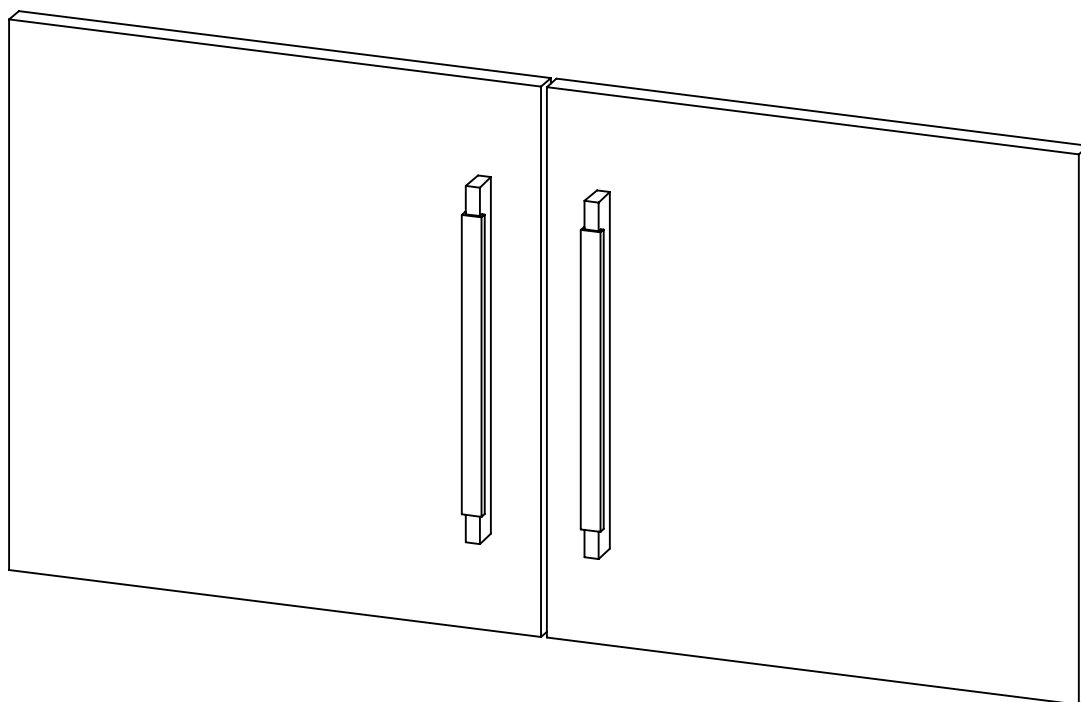
LIVING

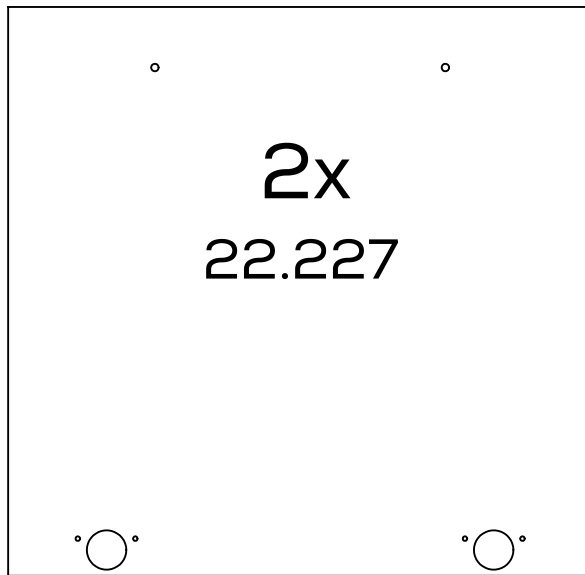
**MAJA**  
**MÖBEL**

---

# K502

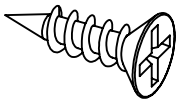
---





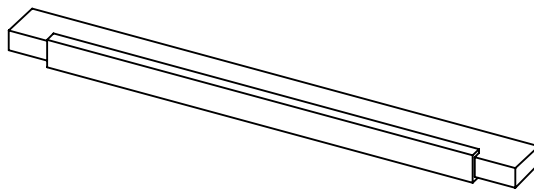
## K502

E700020



8x 3,5 x 13

E710363



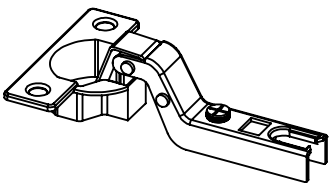
2x

E700200



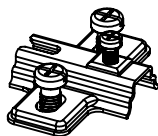
4x 3,9 x 32

E705028



4x Kr.15

E705066



4x

MEDIA

OFFICE

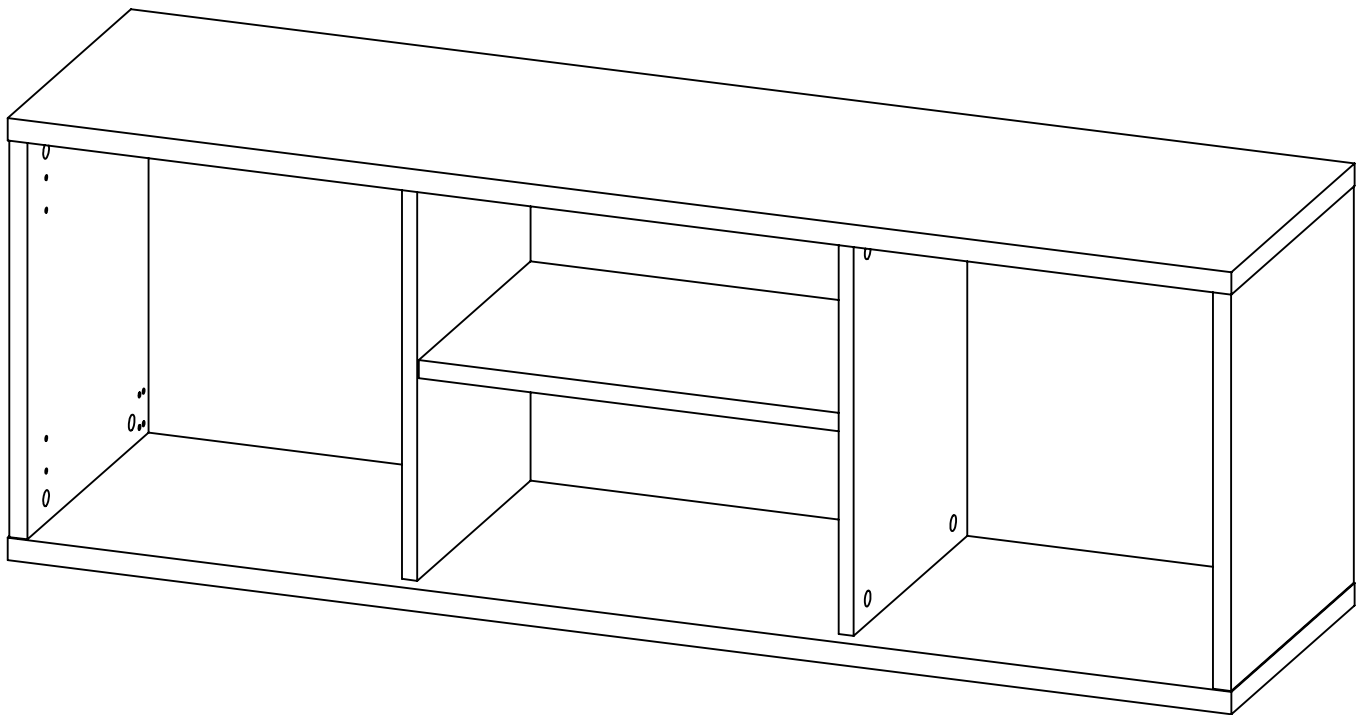
LIVING

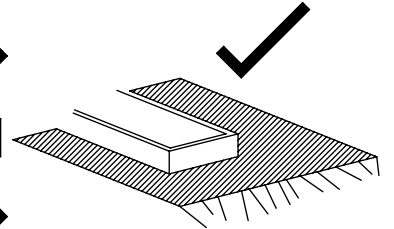
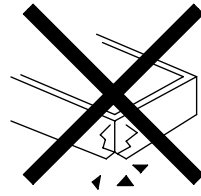
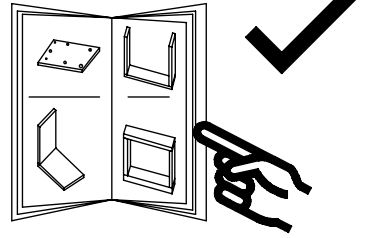
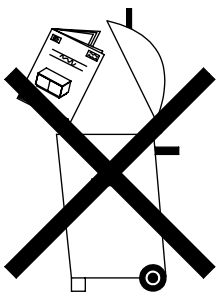
**MAJA**  
**MÖBEL**

---

# K621

---





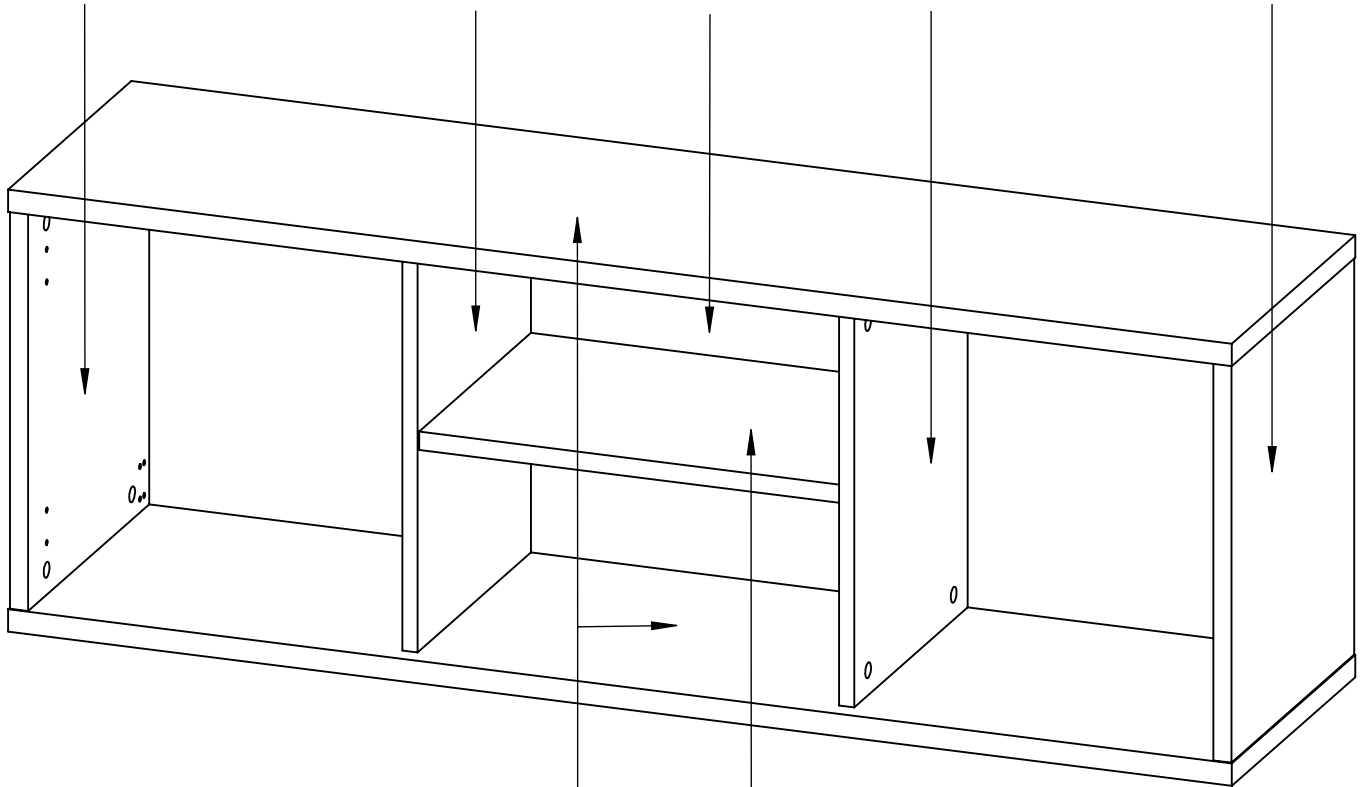
00.177

07.439

28.294

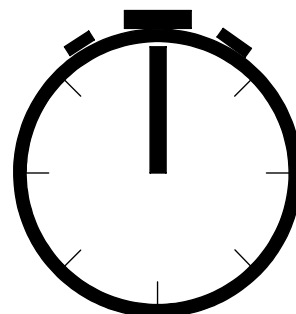
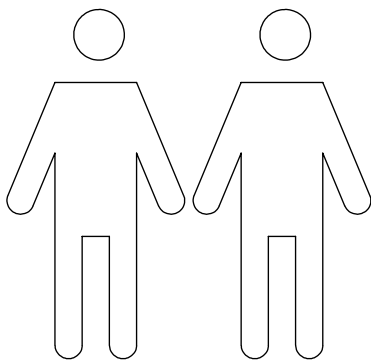
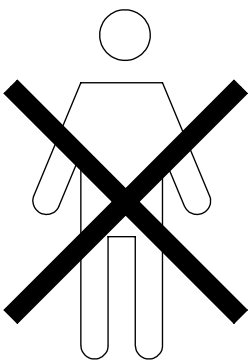
07.439

00.177

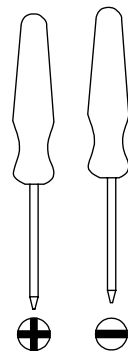


14.329

16.200



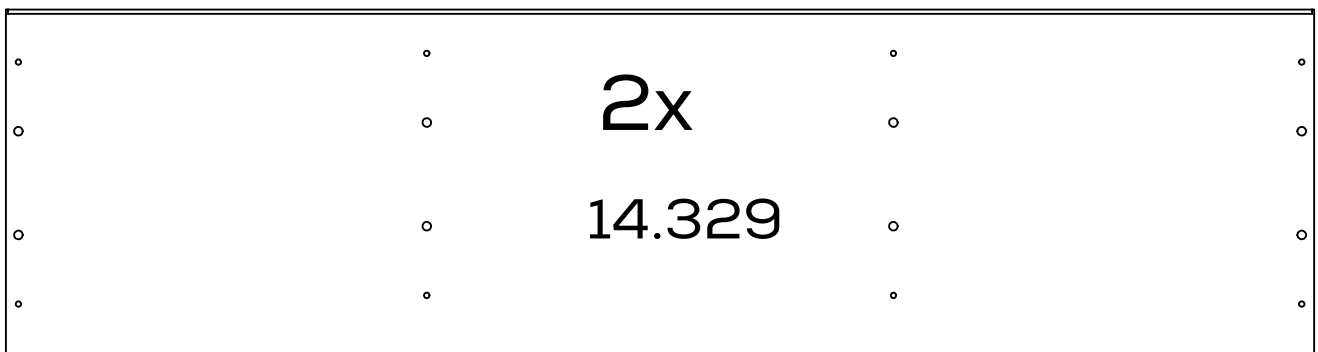
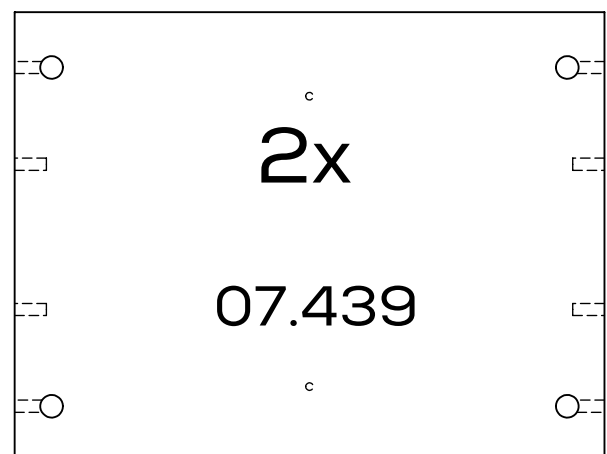
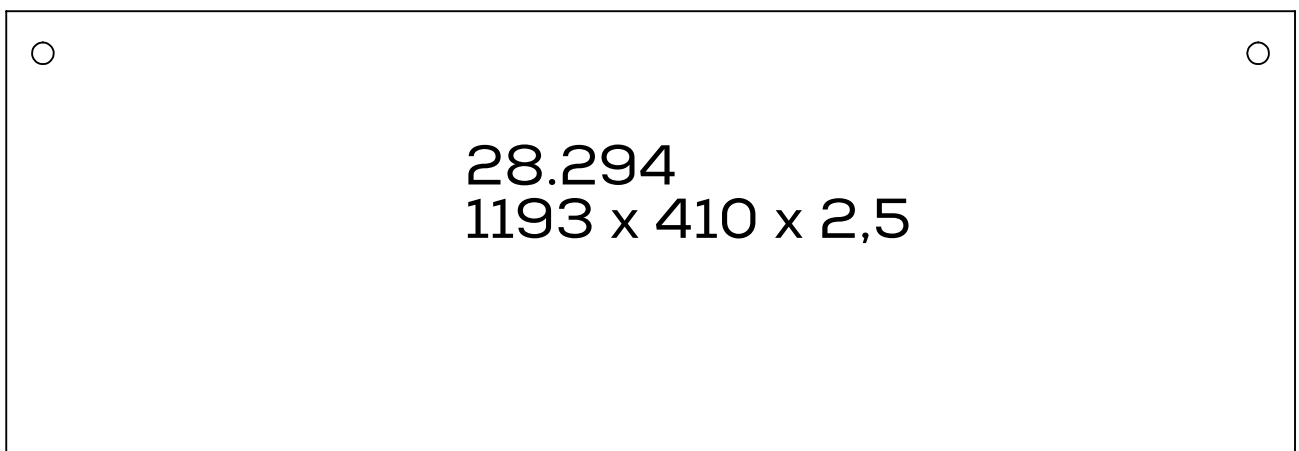
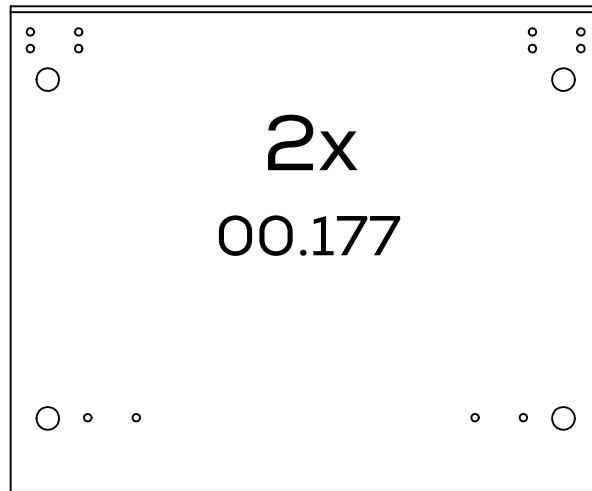
45 min



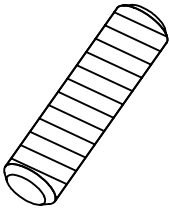

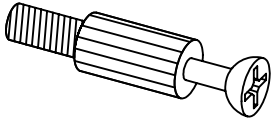
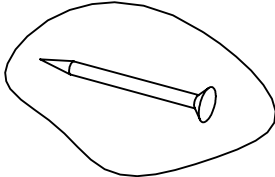
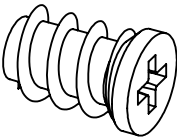
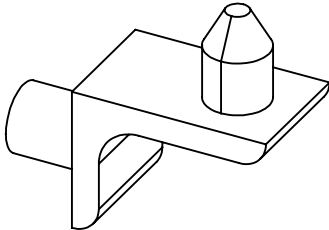
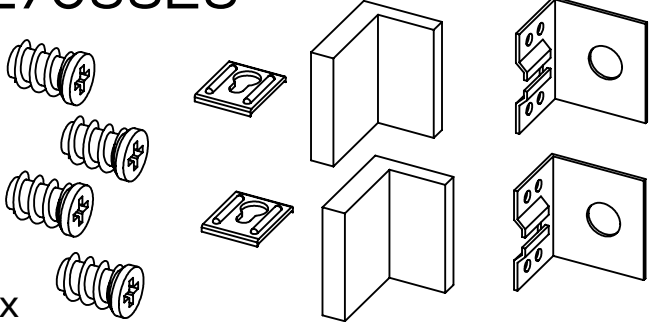
04.03.2022

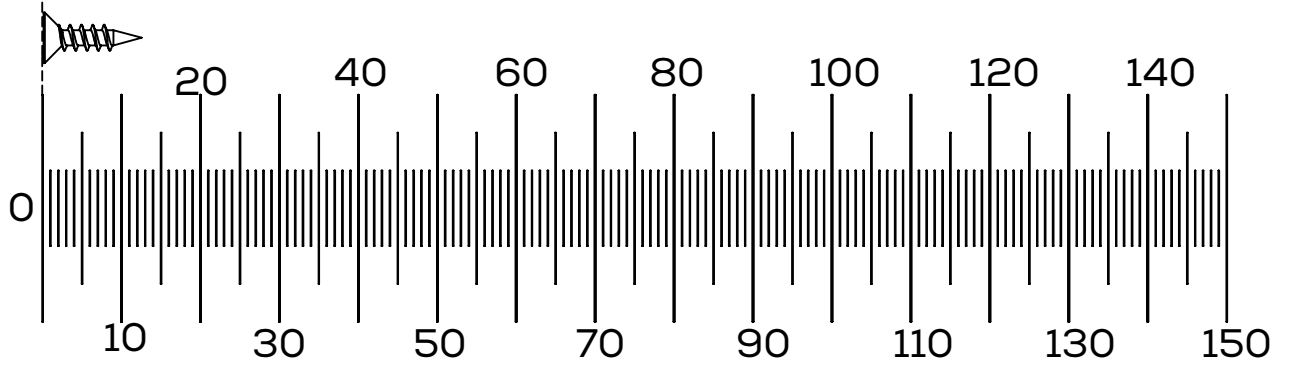
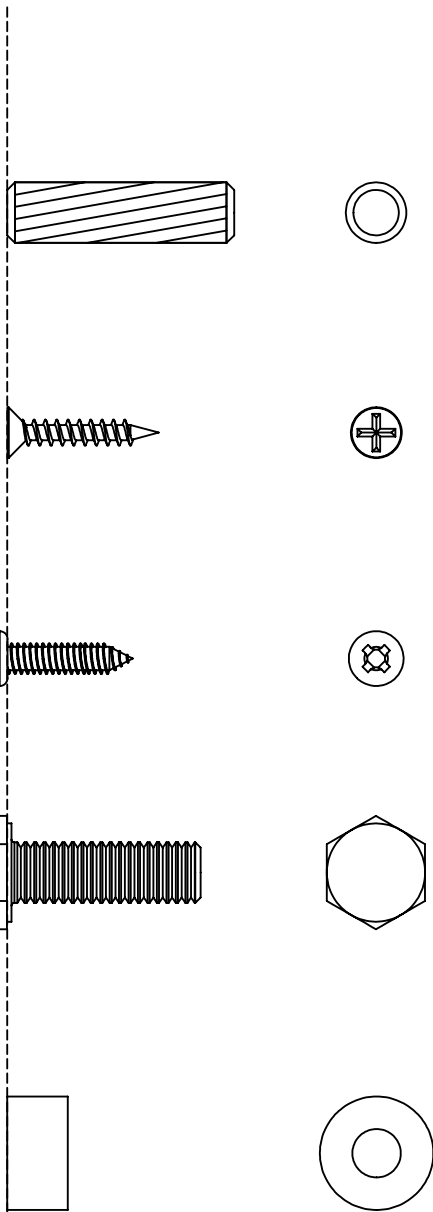
1

maja-moebel.de



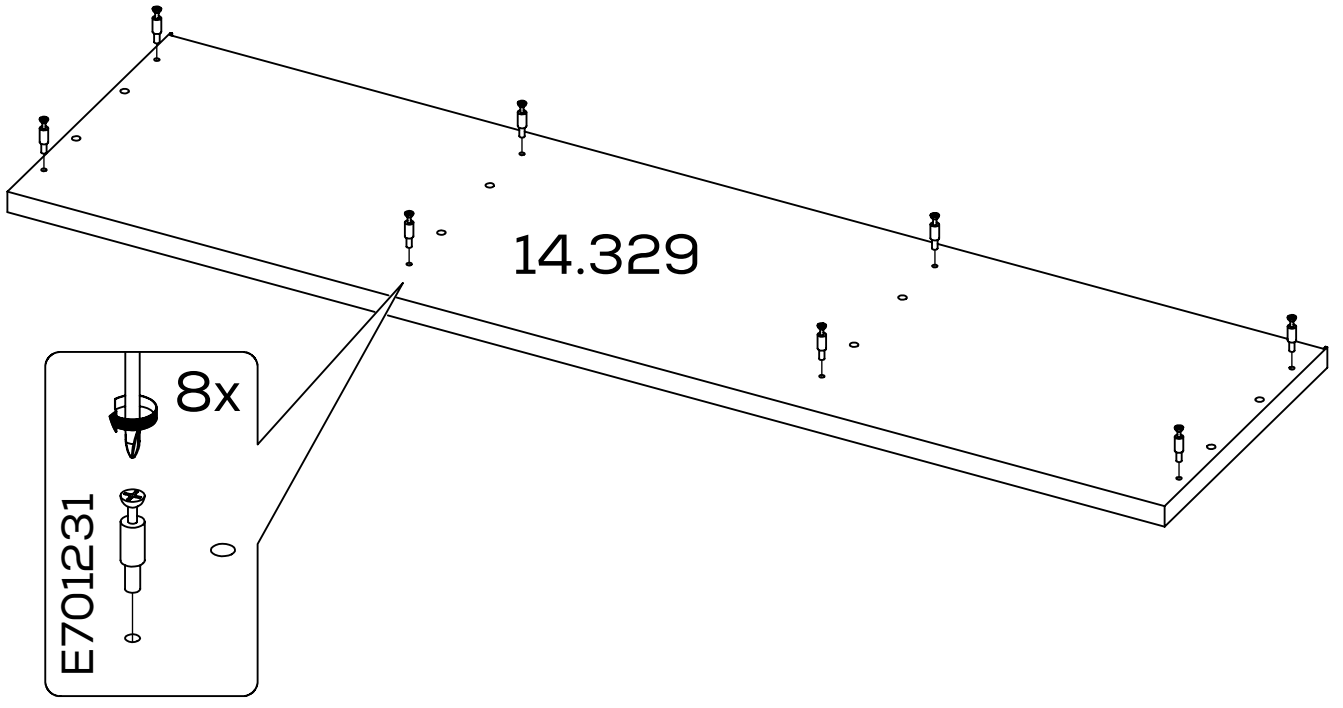
# K621

<p>E701000</p>  <p>16x</p>	<p>E701153</p>  <p>16x</p>	<p>E701231</p>  <p>16x</p>	<p>E700905</p>  <p>30x</p>
<p>E700140</p>  <p>4x 6,3 x 13</p>	<p>E702016</p>  <p>4x</p>	<p>E709329</p>  <p>1x</p>	



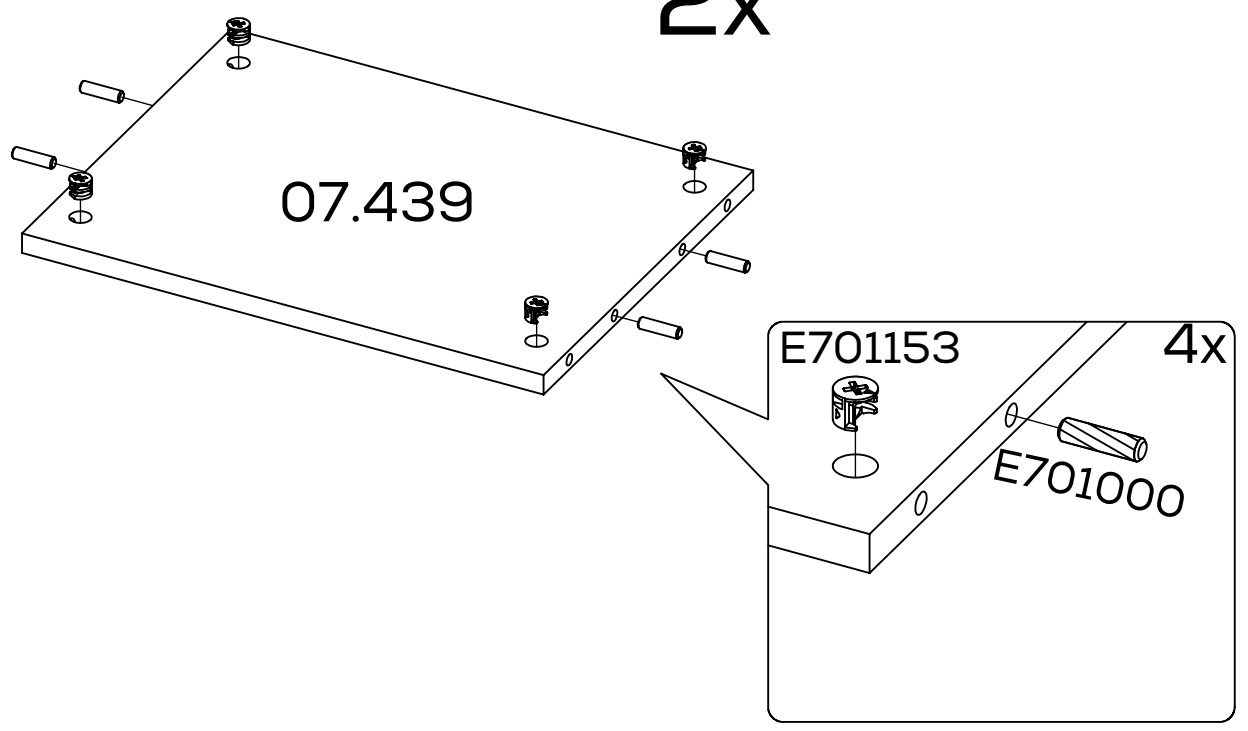
1

2x



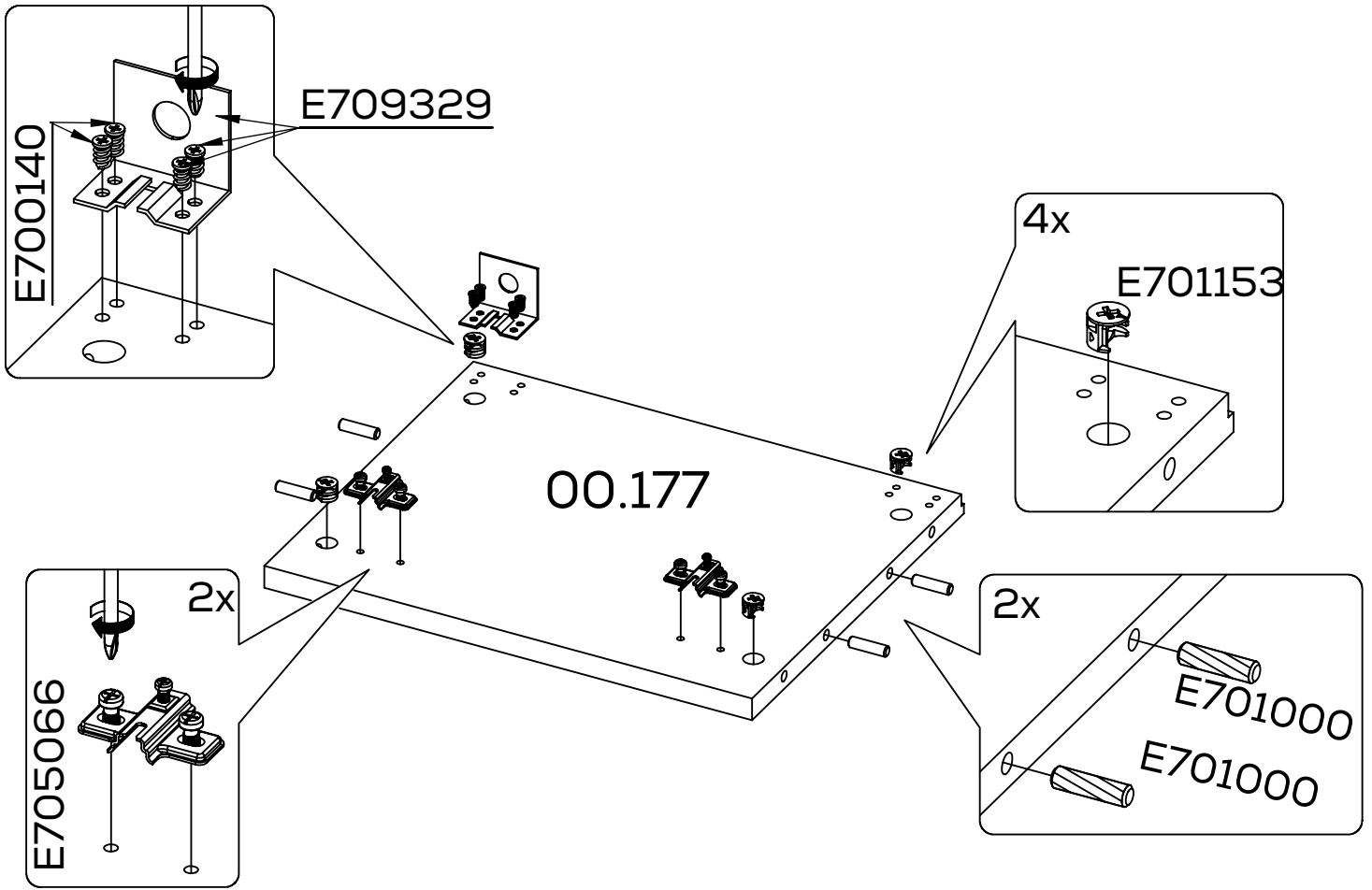
2

2x

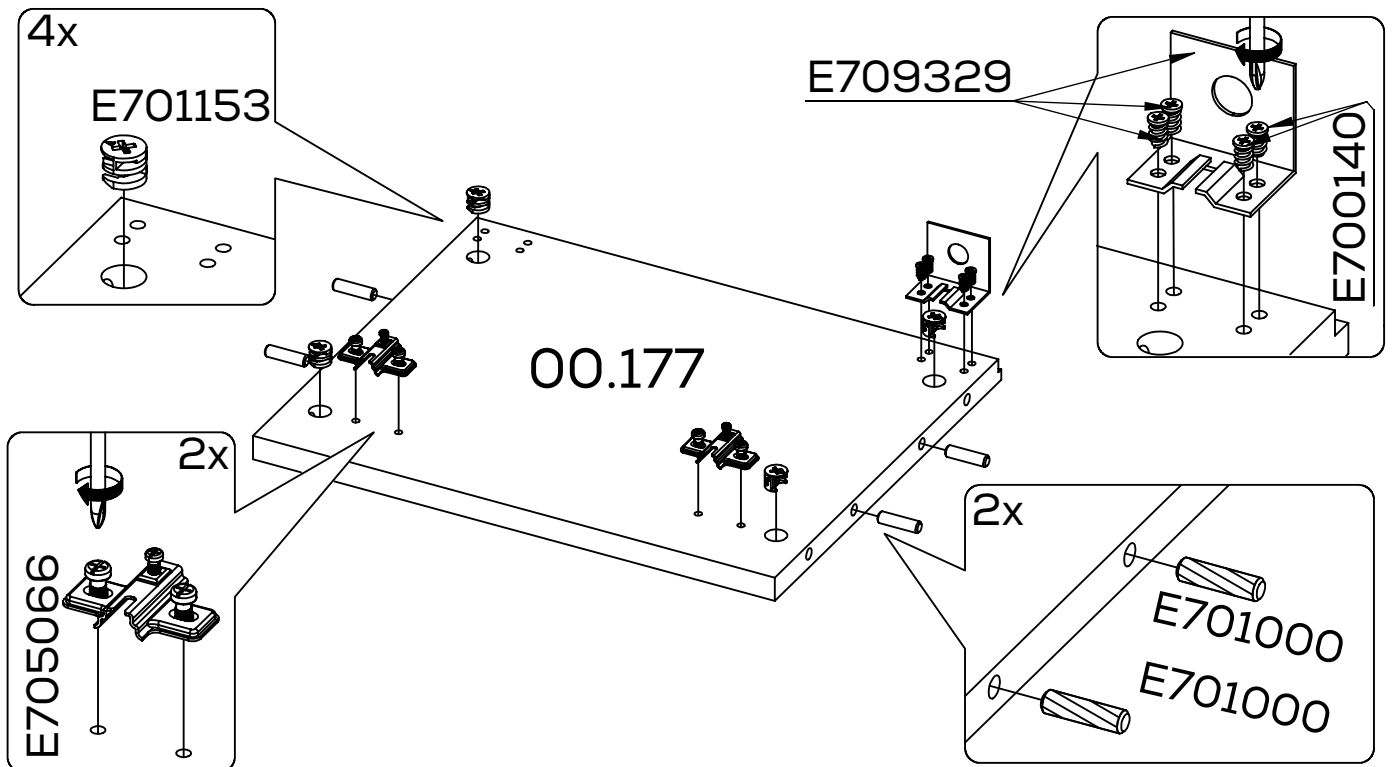




3

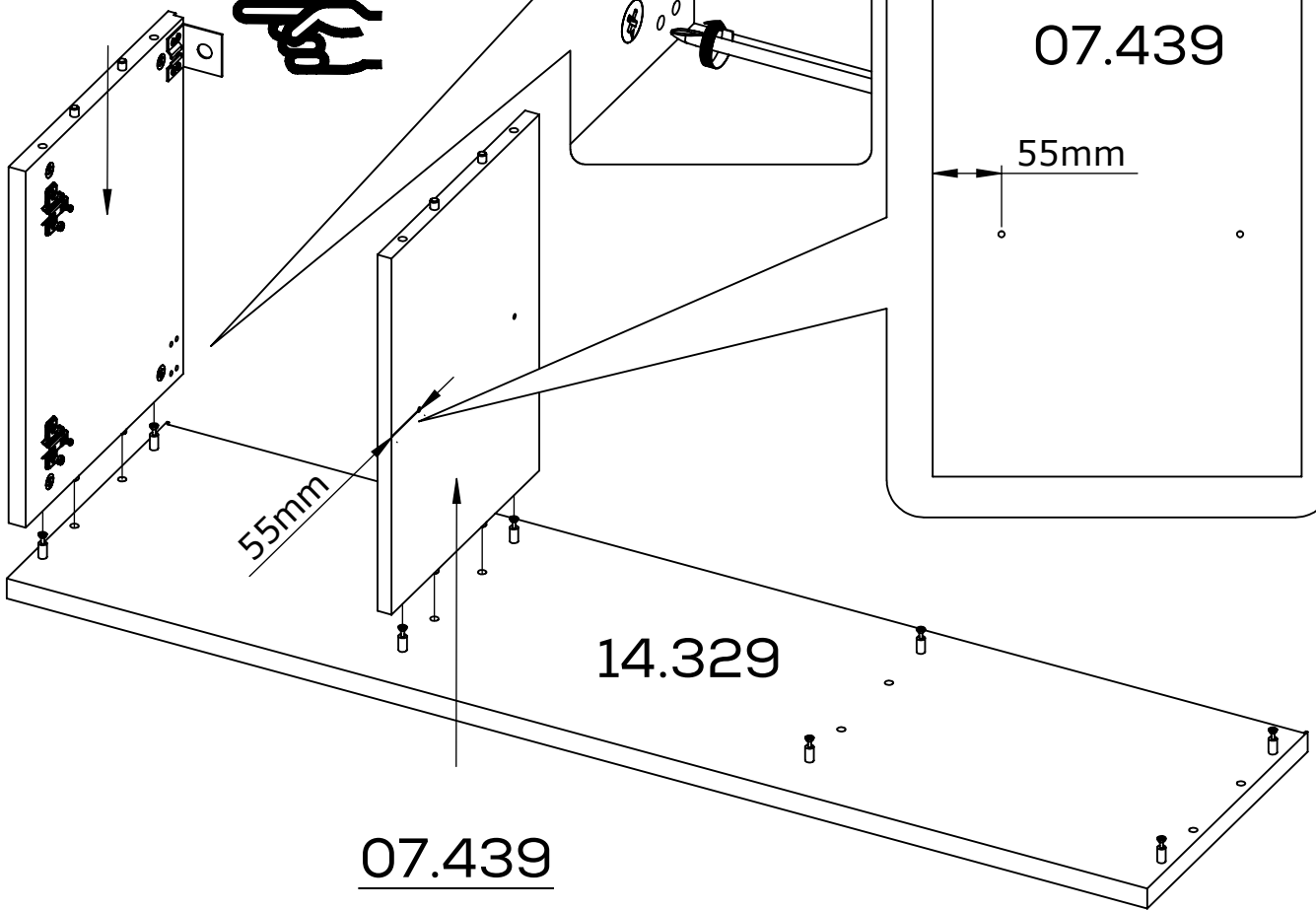
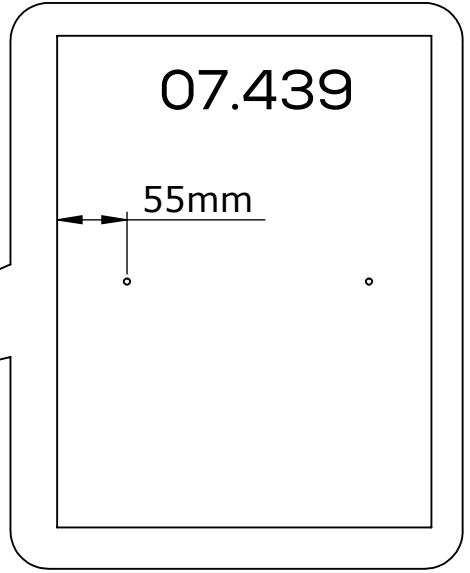
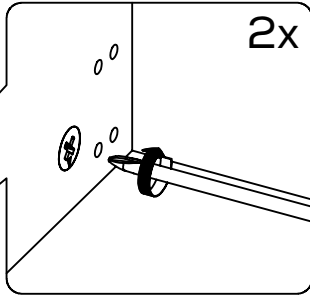


4



5

00.177

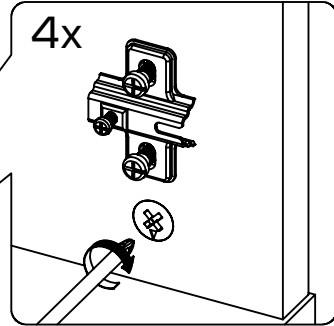


14.329

07.439

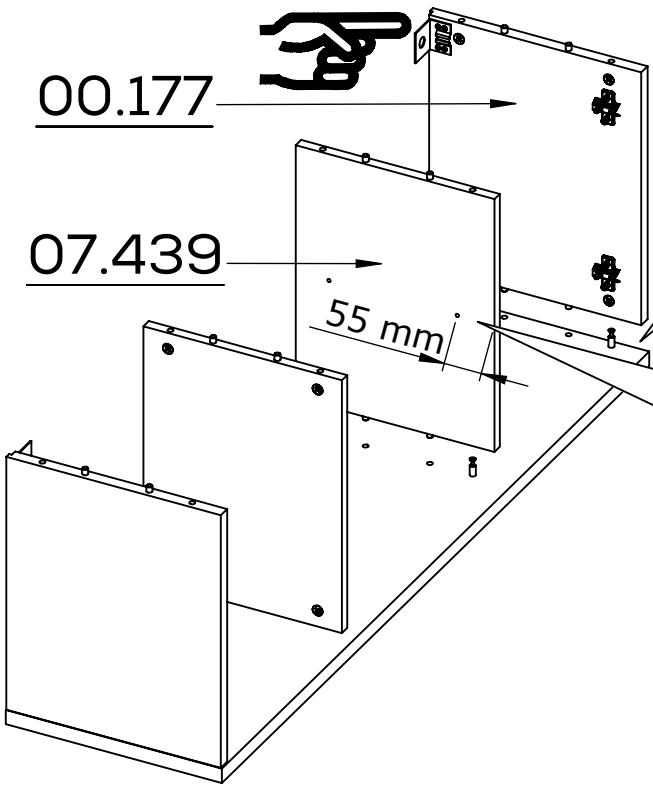
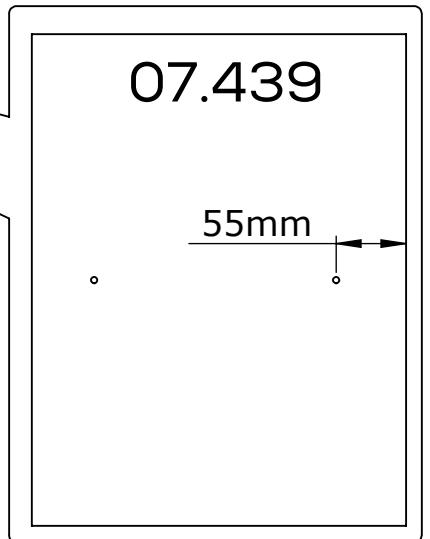
6

00.177

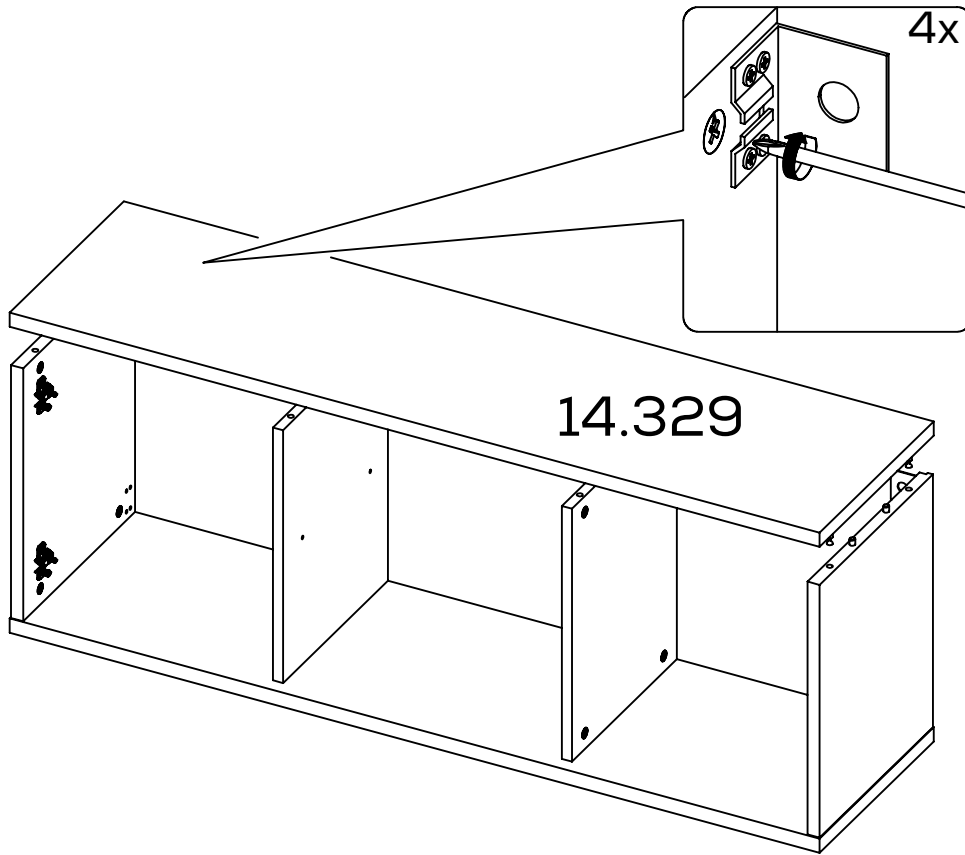


07.439

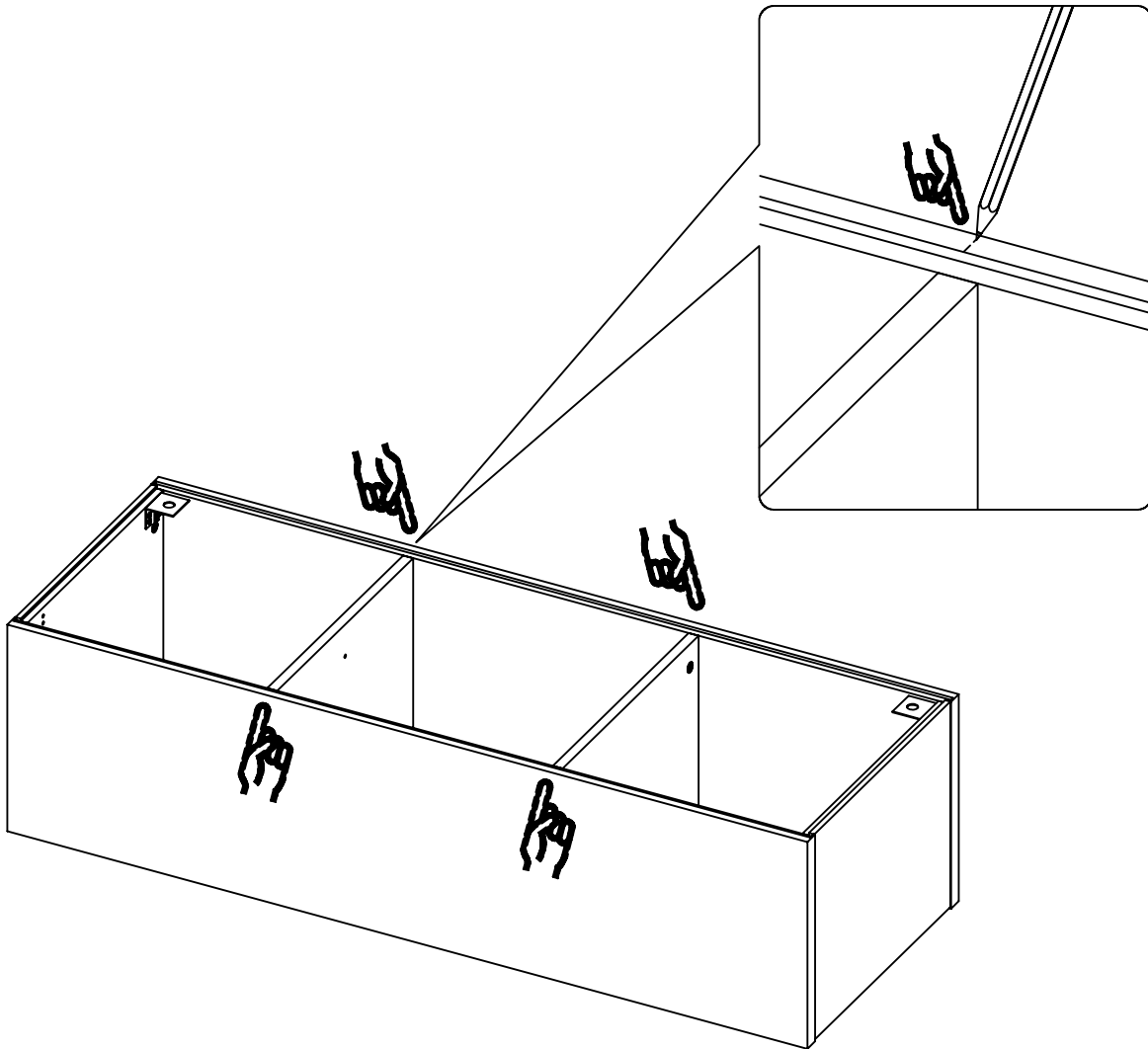
55 mm



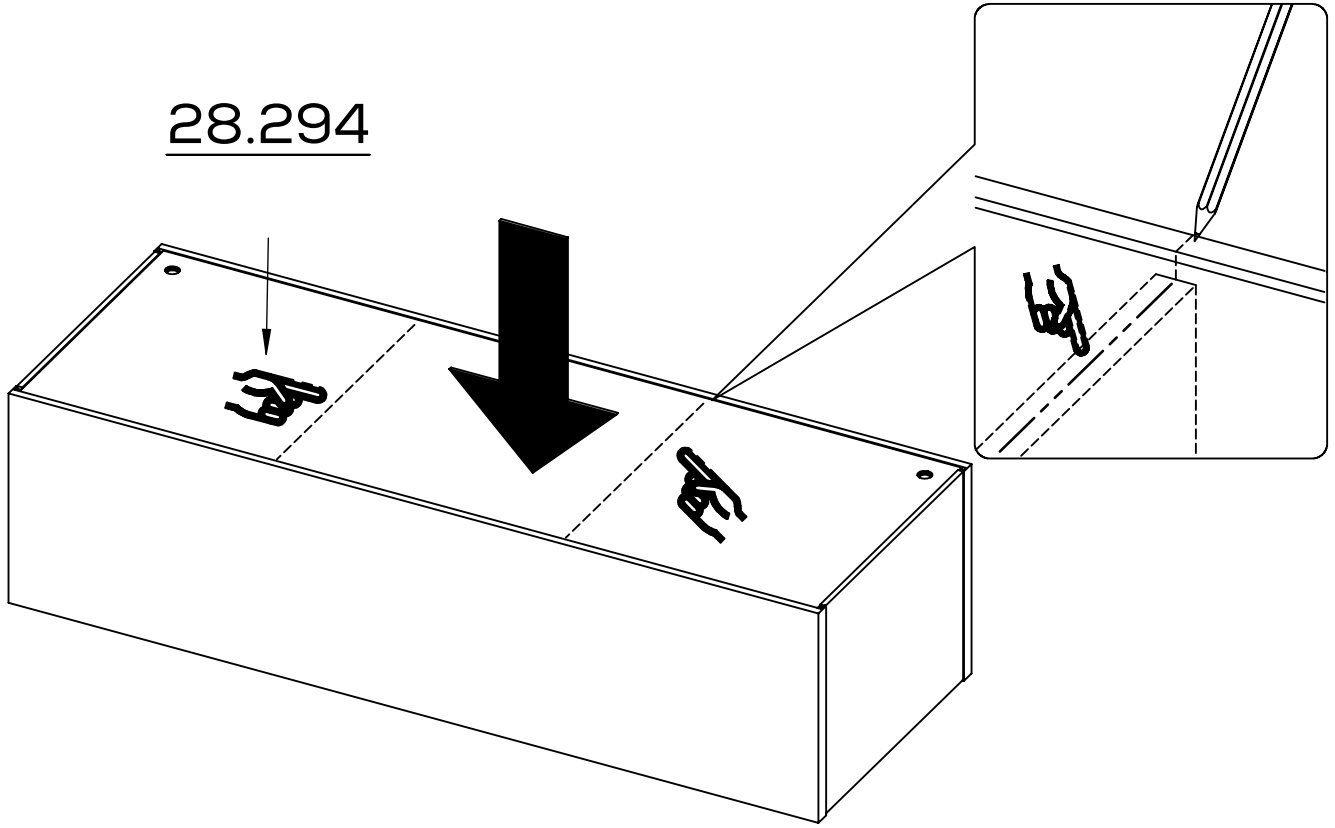
7



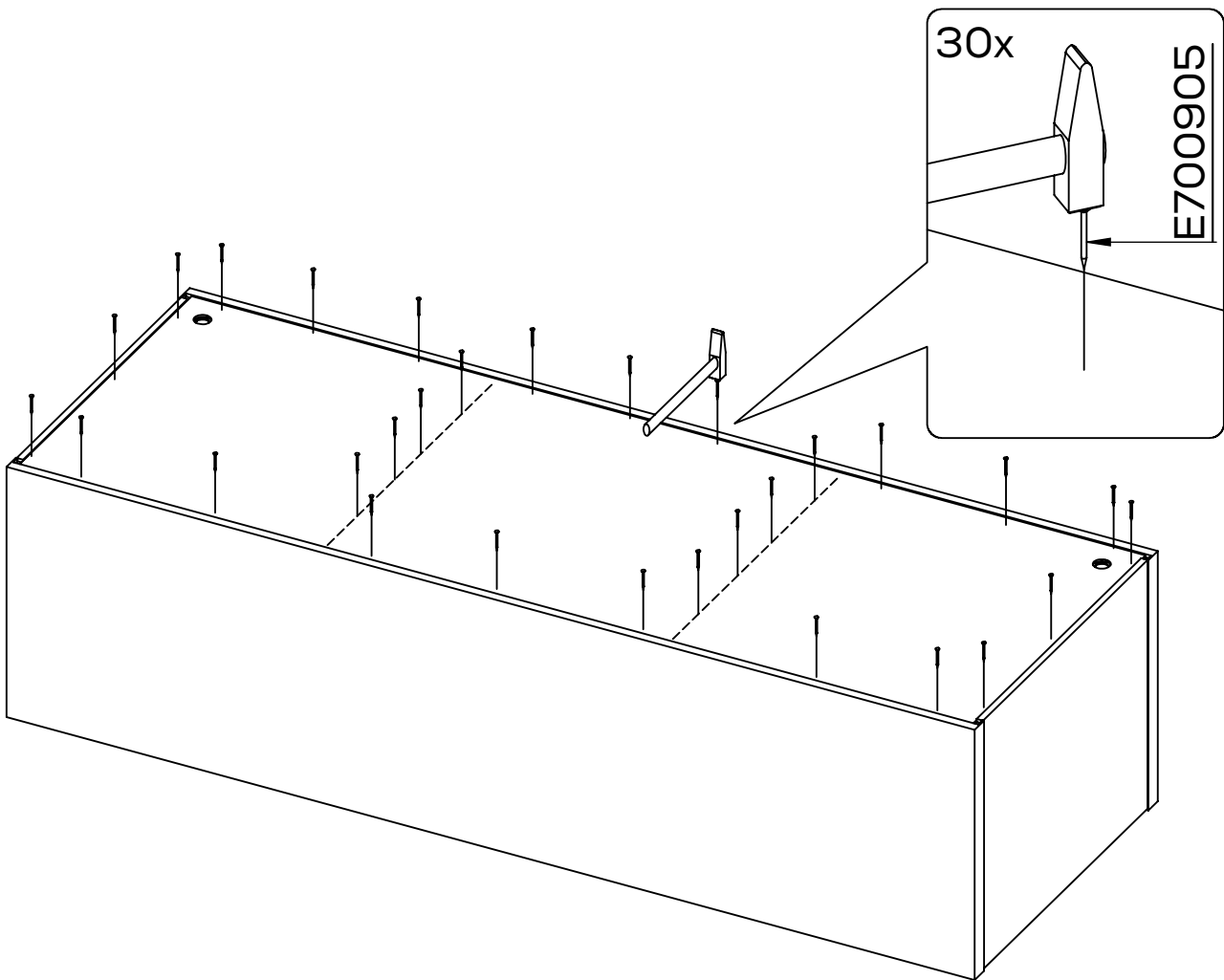
8



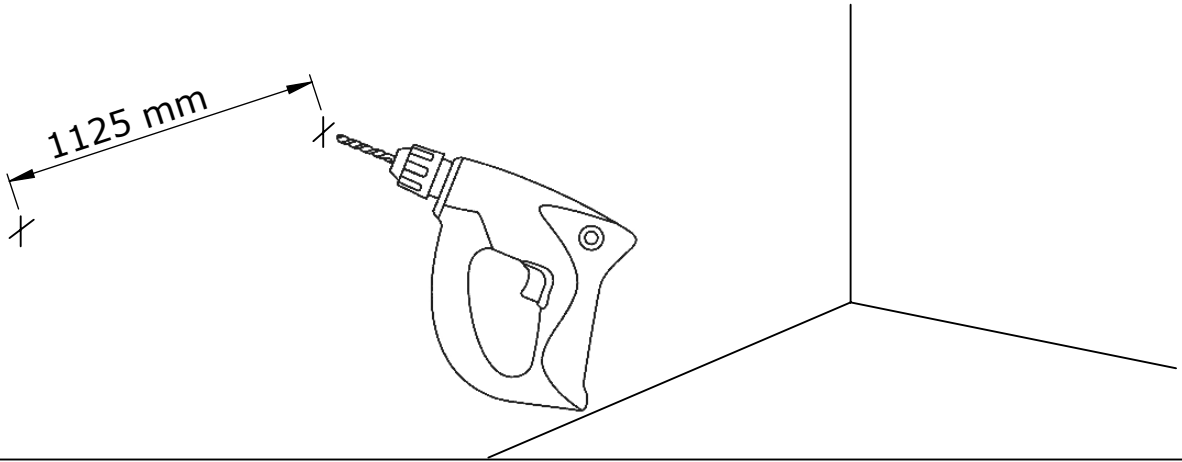
9



10

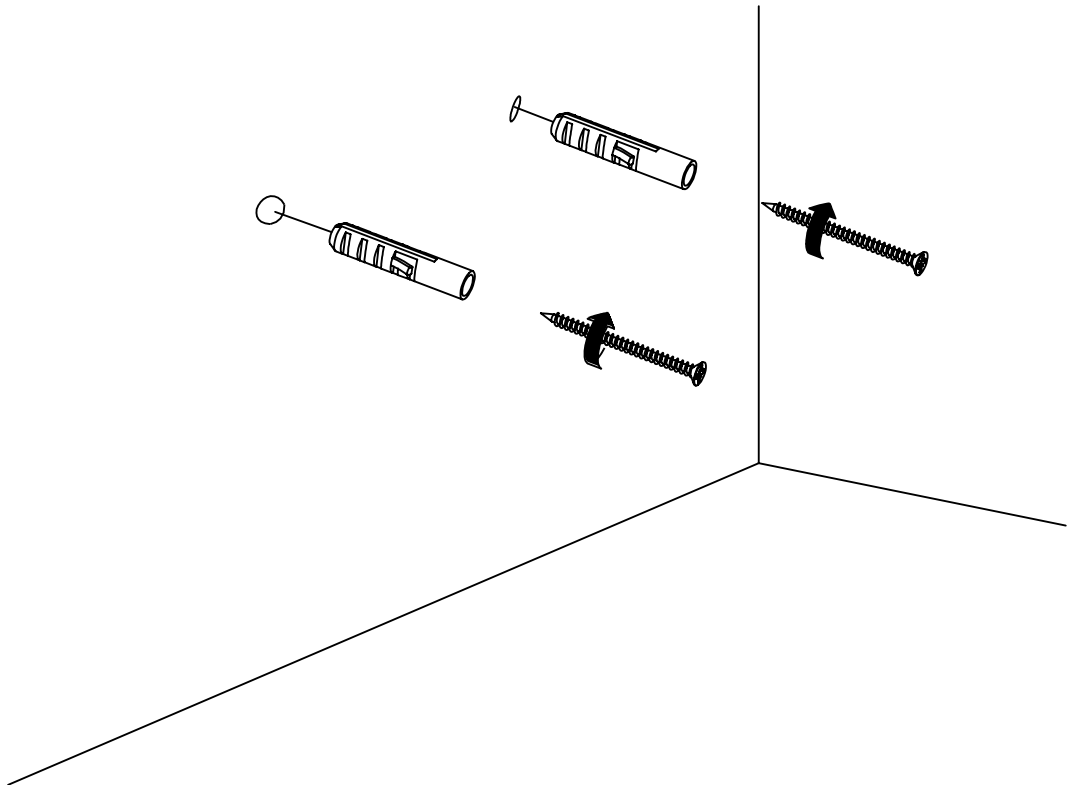


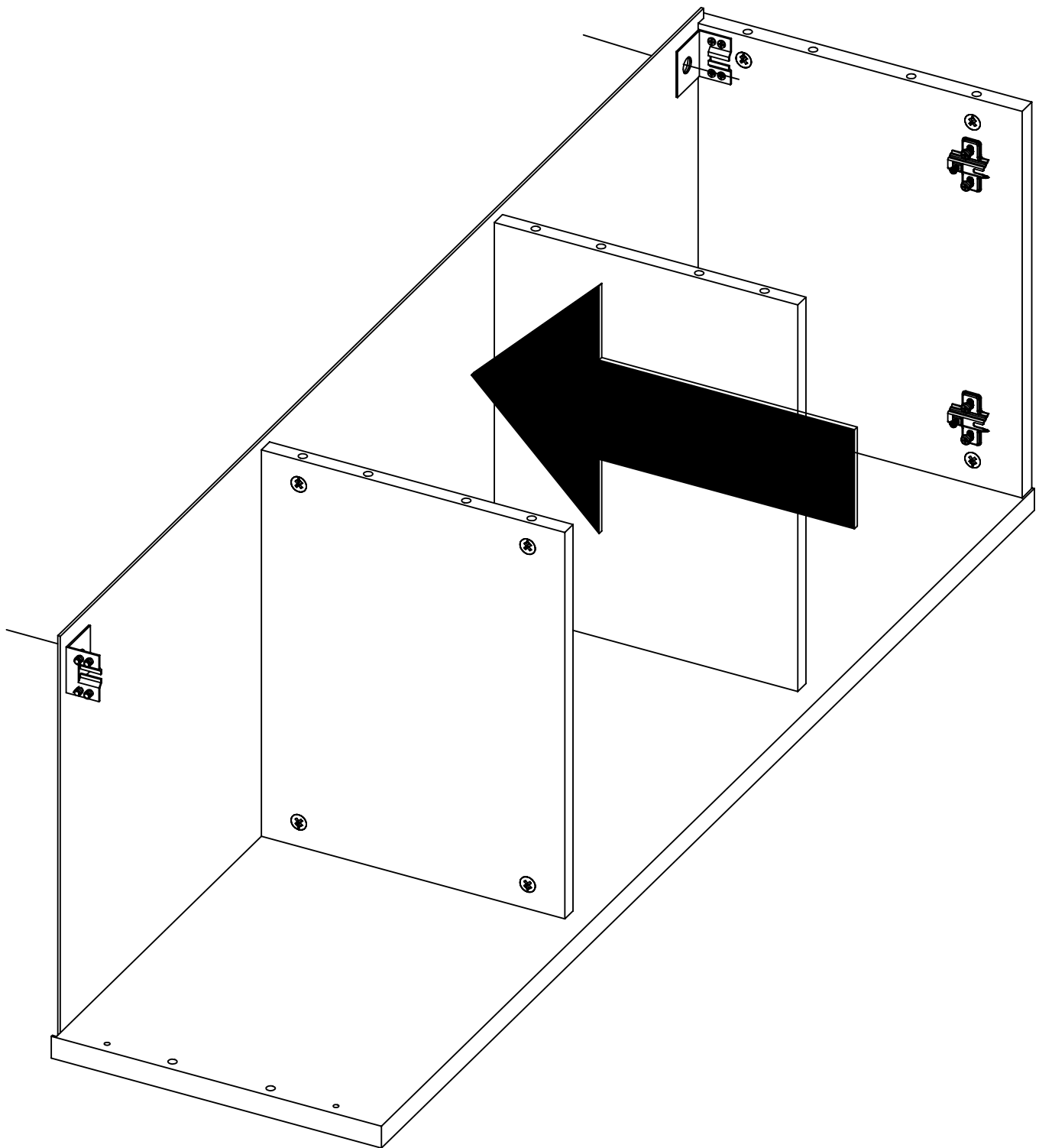
11

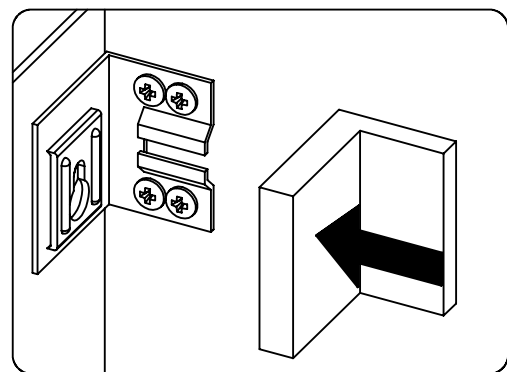
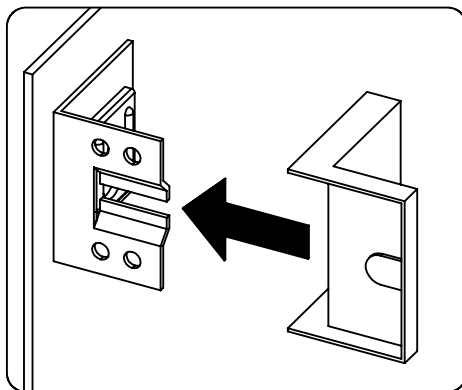
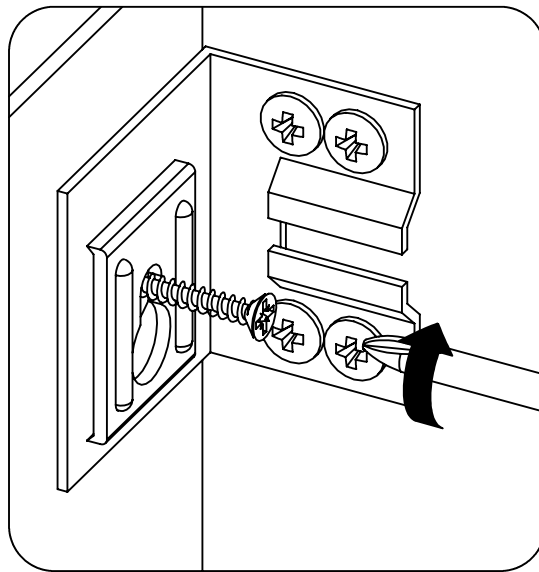
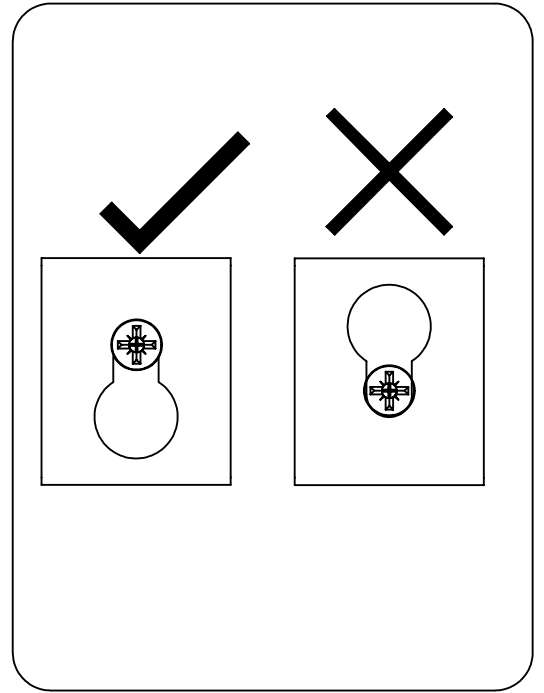
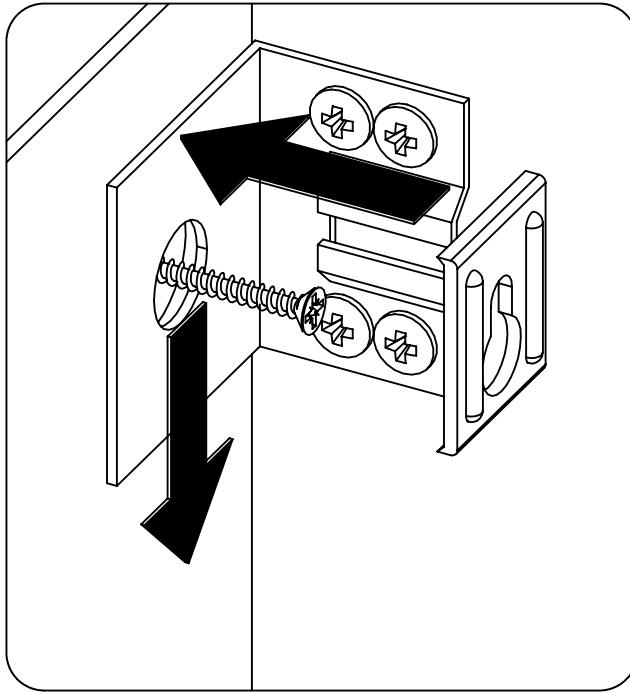


 A warning icon consisting of a triangle with an exclamation mark inside. Below it is another warning icon showing a person standing next to a large rectangular object that is falling towards them, with a diagonal line through the object.	<p>1</p> <p>?</p> <p>?</p> <p>?</p> Three different types of wall panels are shown: a brick-patterned panel, a perforated panel, and a slatted panel. To the right of each panel is a question mark.	<p>2</p> <p>?</p> <p>?</p> A shopping cart is shown containing several screws of different sizes and a drill bit. Above the cart are two question marks.	<p>3</p> A line drawing of a power drill, identical to the one shown in the top diagram.
---	--	--	--

12

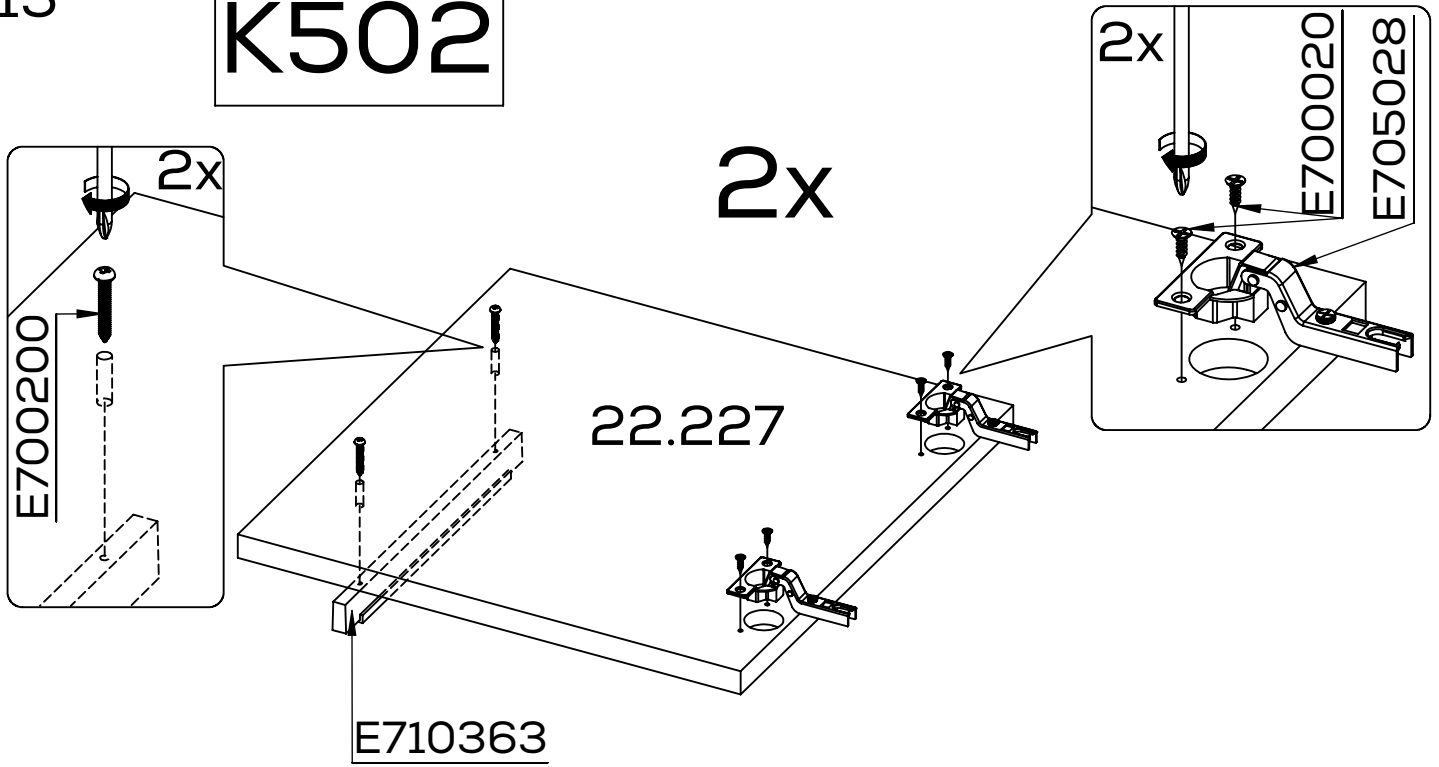




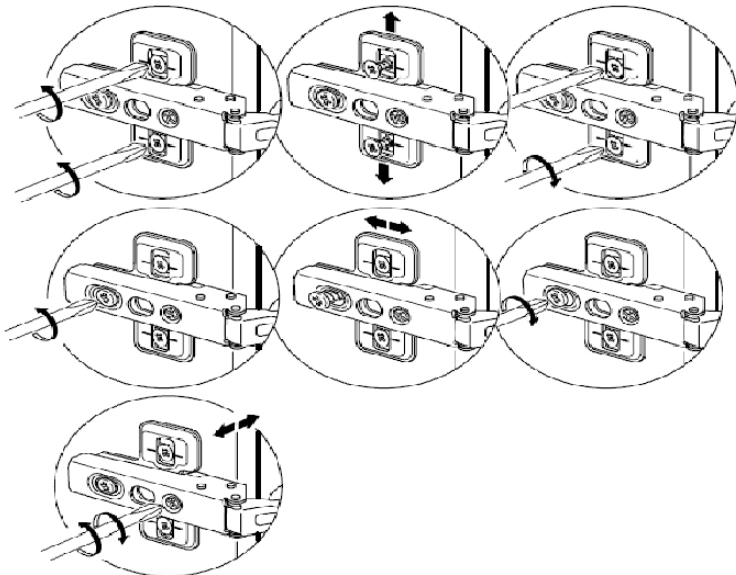
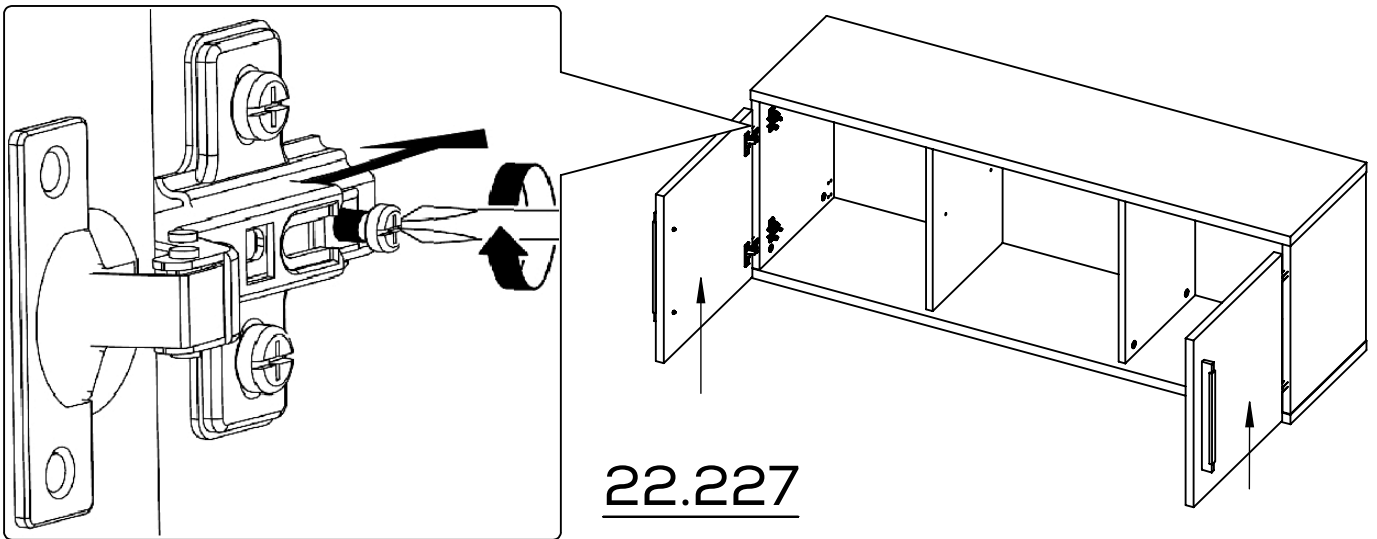


15

K502

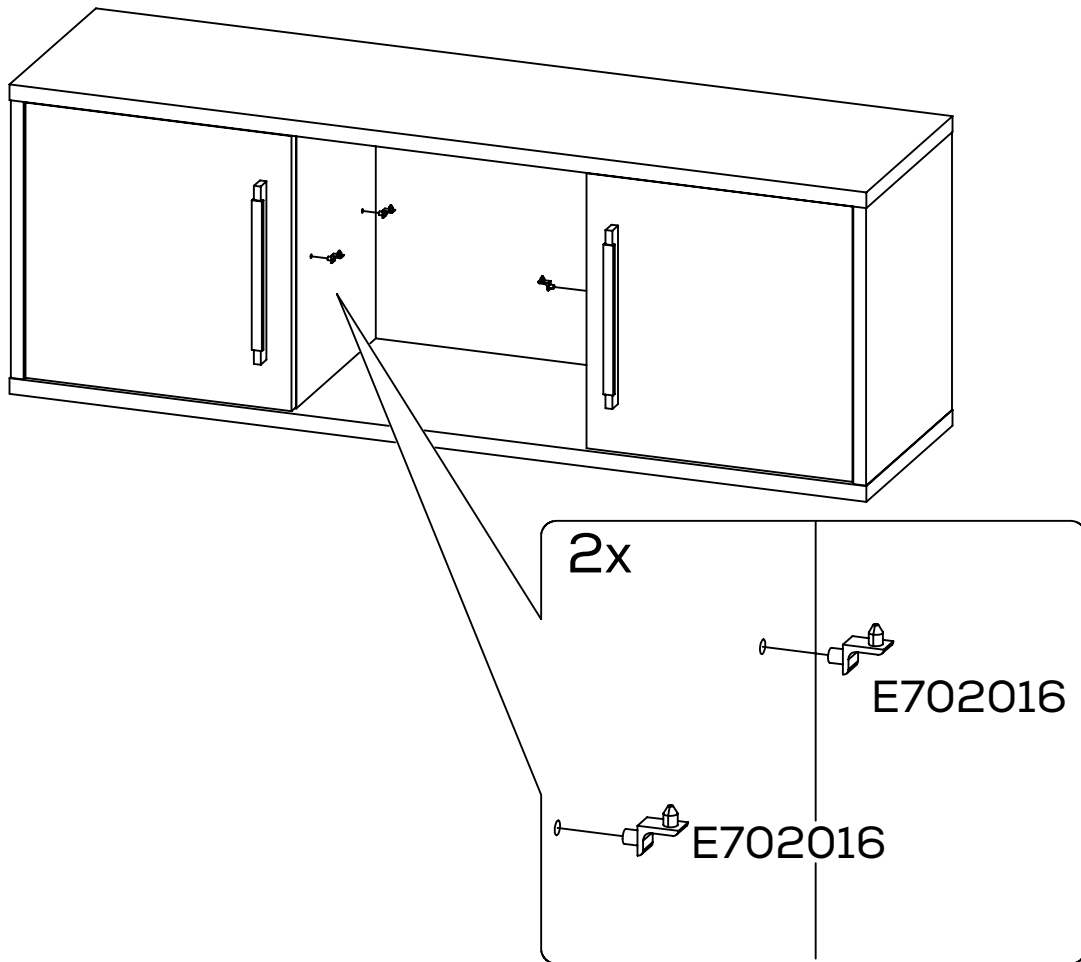


16

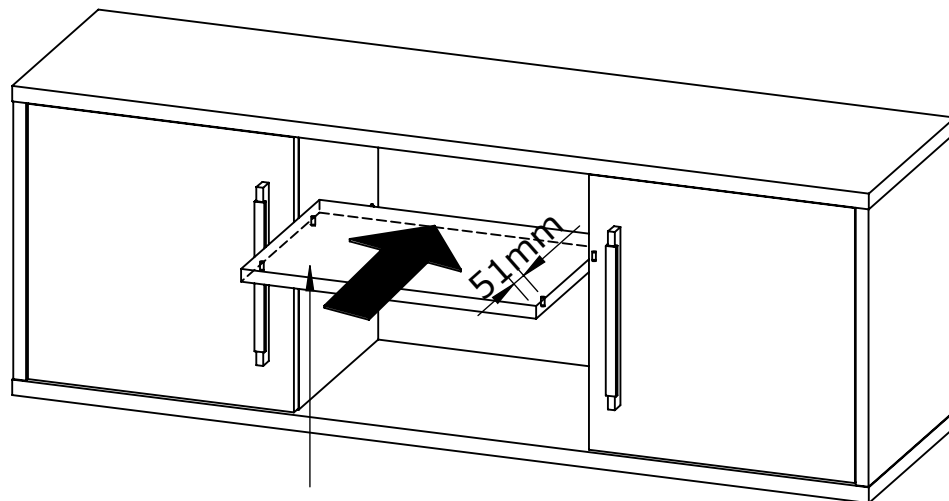




17



18



16.200