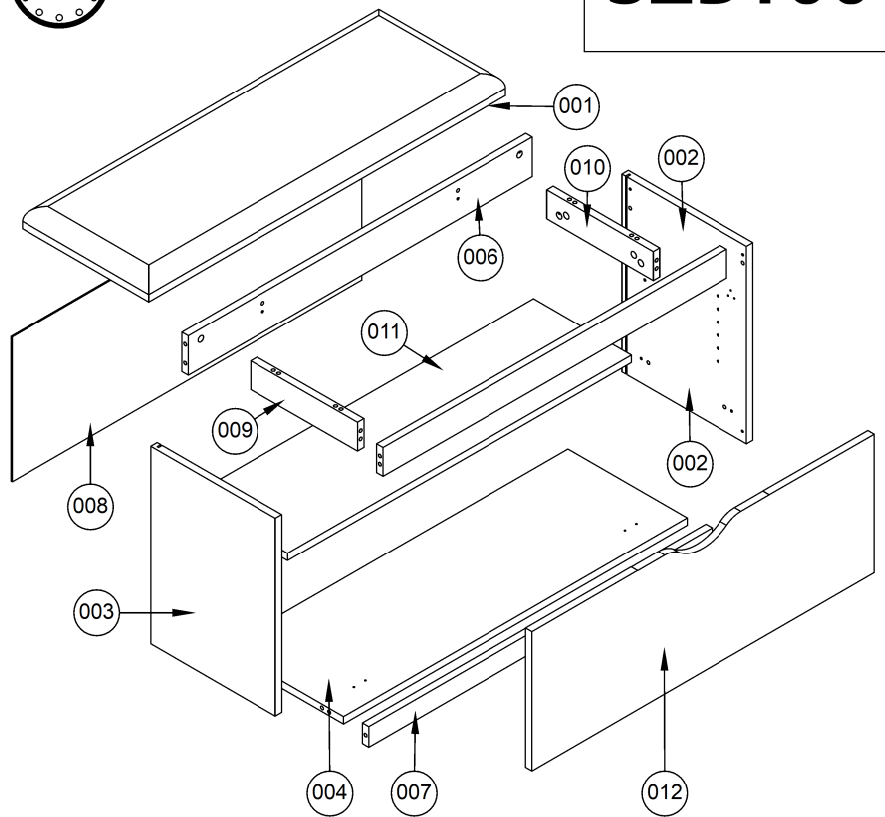
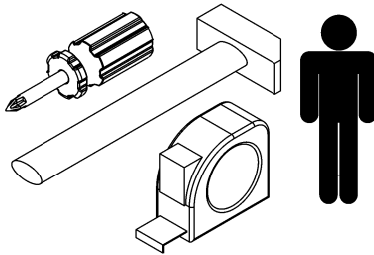
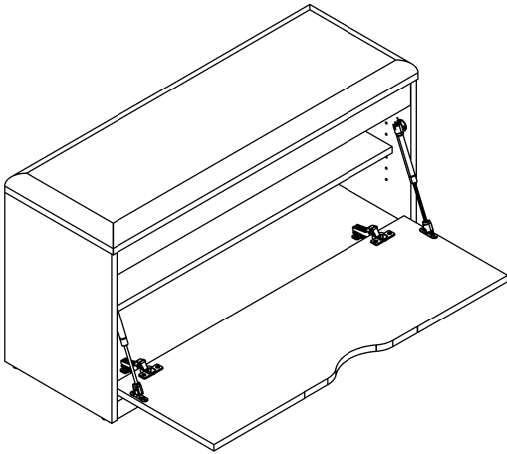
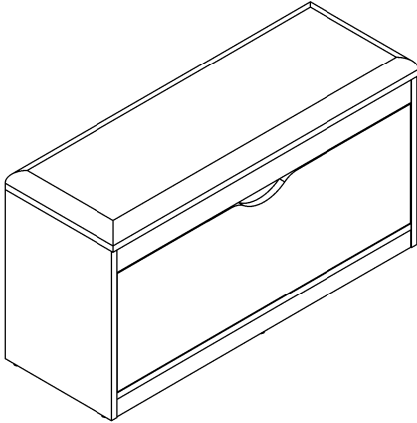
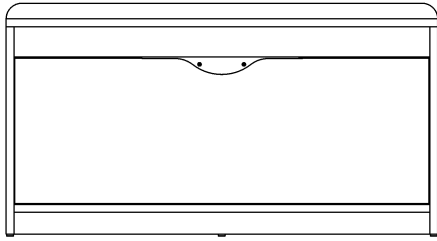
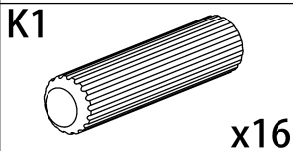
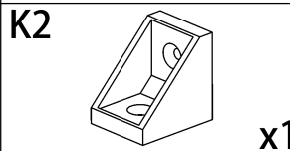
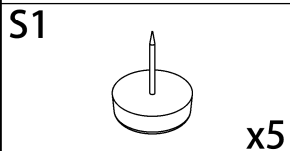
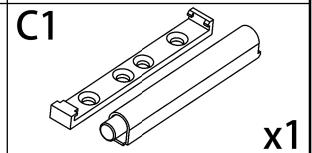
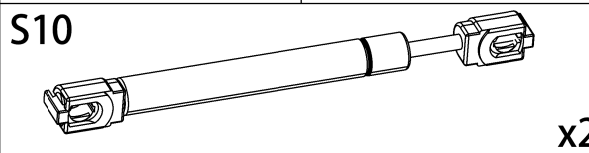
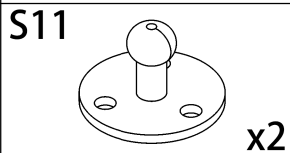
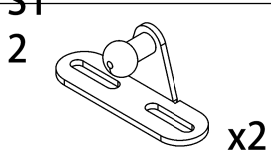
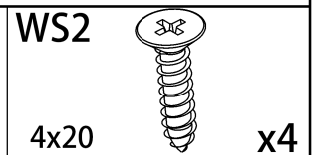
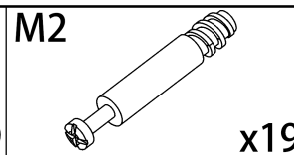
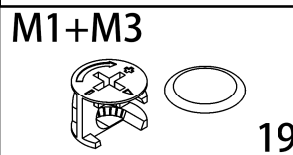
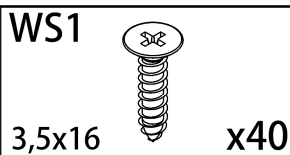
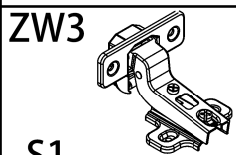



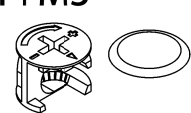
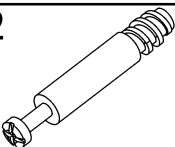
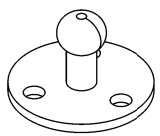
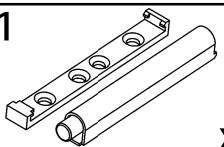
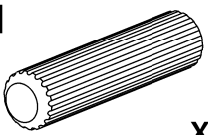
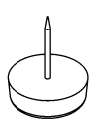
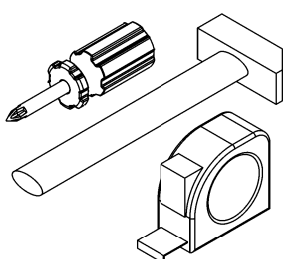
SZB100

 - 45 min.

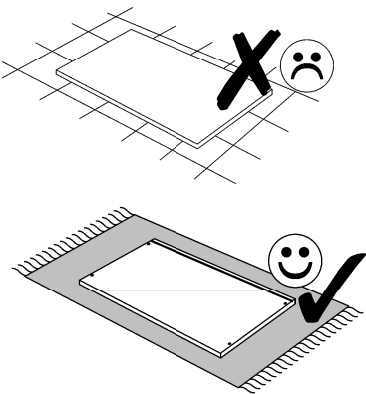
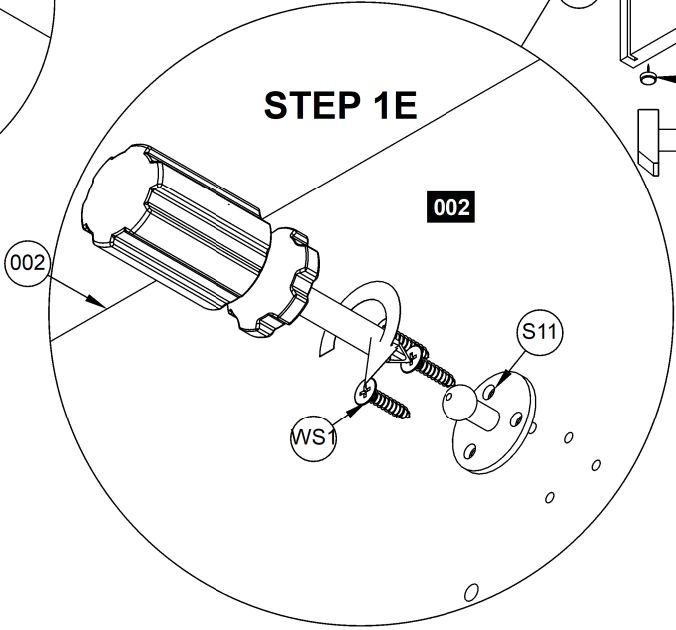
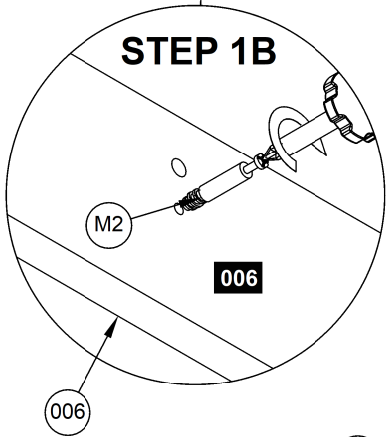
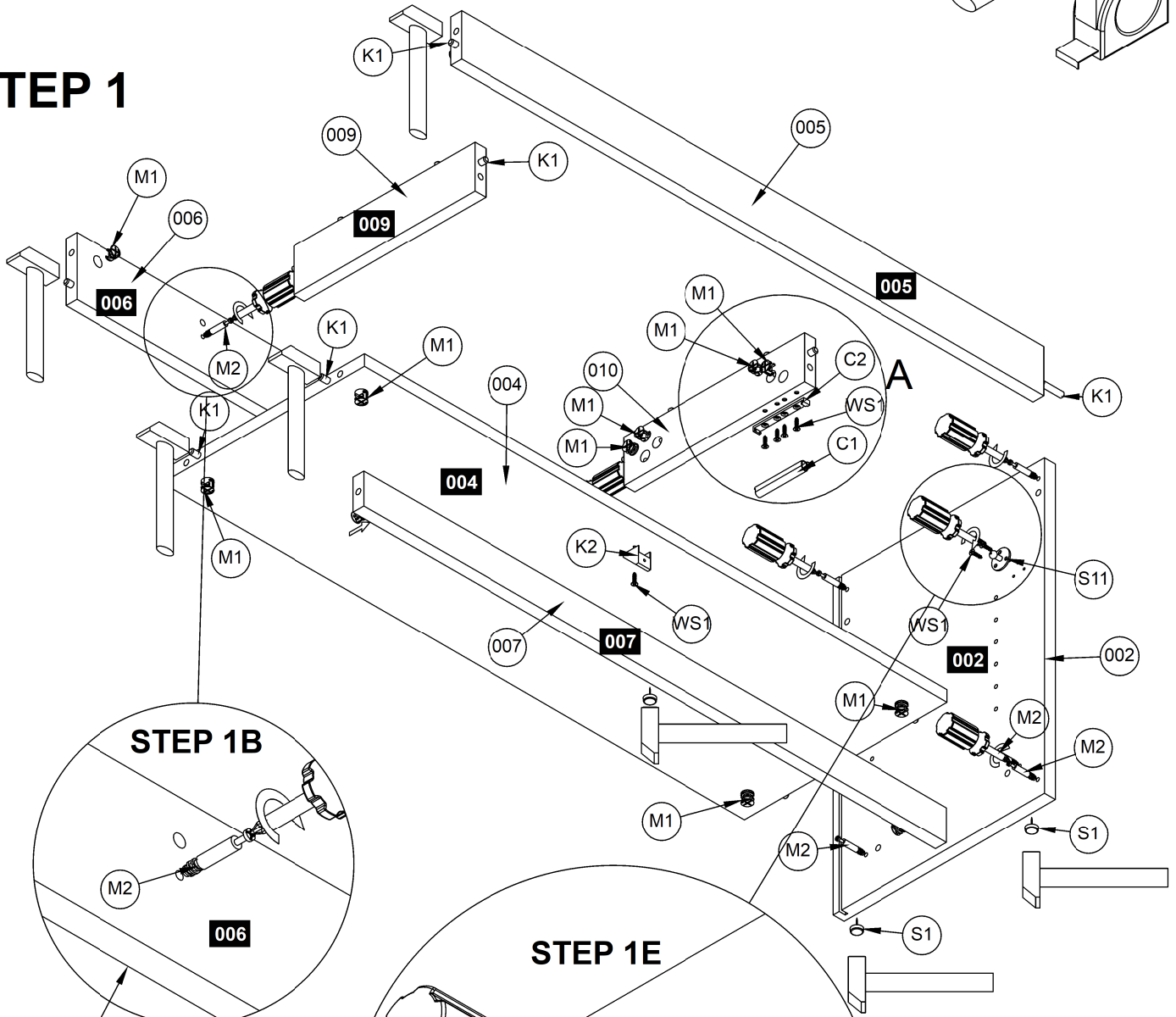



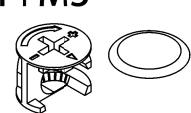
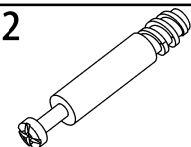
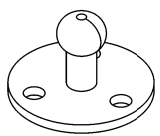
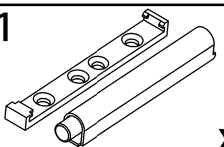
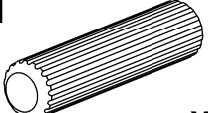
Number	Qty	Size A	Size B
001	1	1000	355
002	1	480	350
003	1	480	350
004	1	964	335
005	1	70	964
006	1	96	964
007	1	50	964
012	1	337	960
008	1	352	982
009	1	70	299
010	1	70	299
011	1	964	275



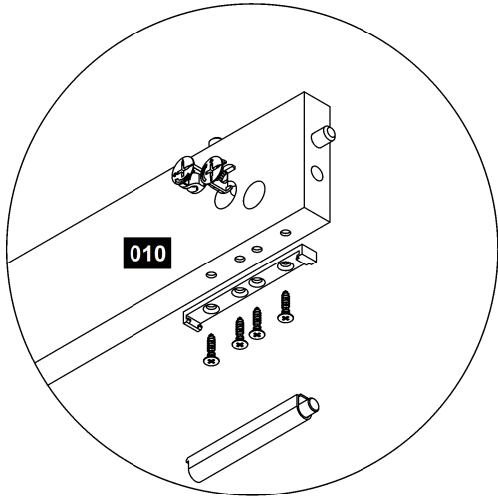
WS1  3,5x16 x40	M1+M3  19	M2  x19	S13  x2	C1  x1
K1  x16	S1  x5			

STEP 1

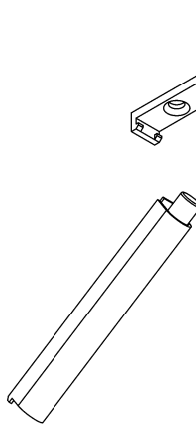


WS1  3,5x16 x40	M1+M3  19	M2  x19	S13  x2	C1  x1
K1  x16				

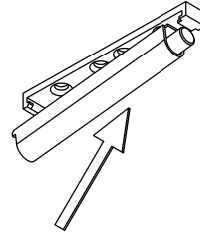
STEP 1A



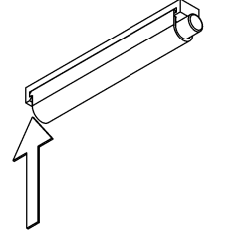
STEP 1A-1



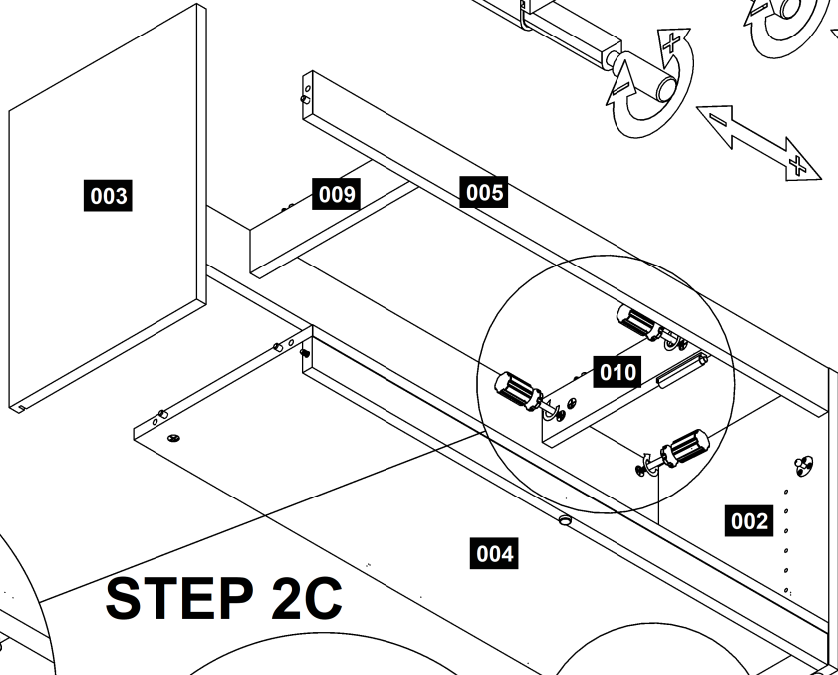
STEP 1A-2



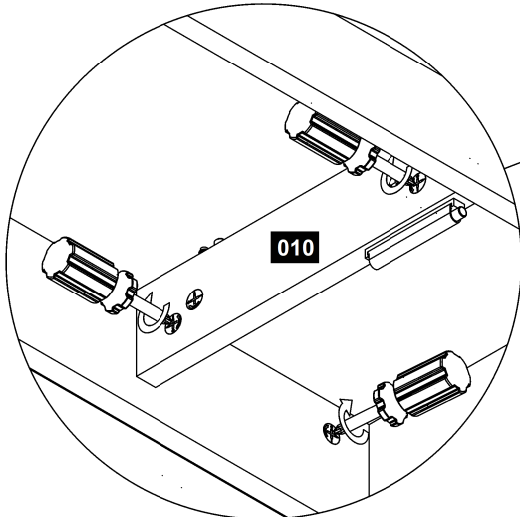
STEP 1A-3



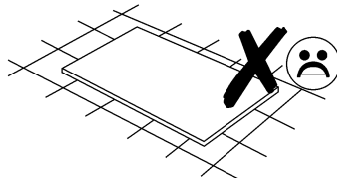
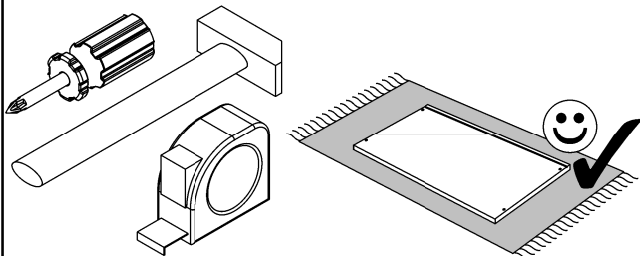
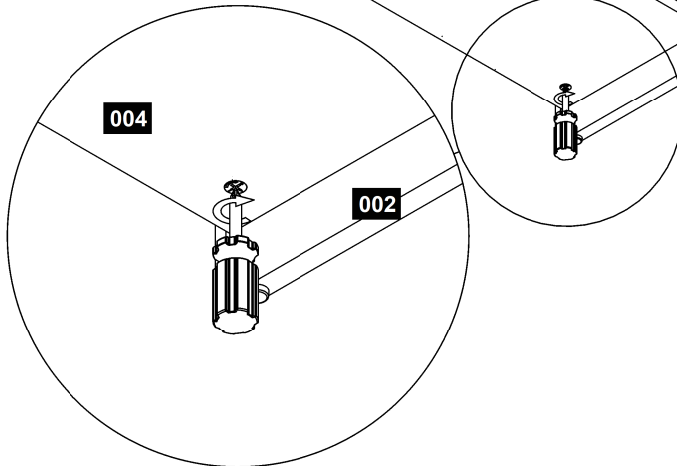
STEP 2




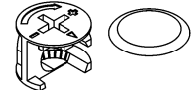
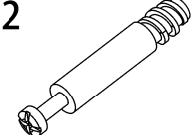
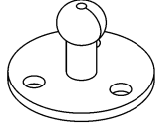
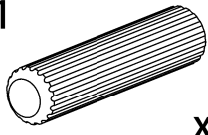
STEP 2B



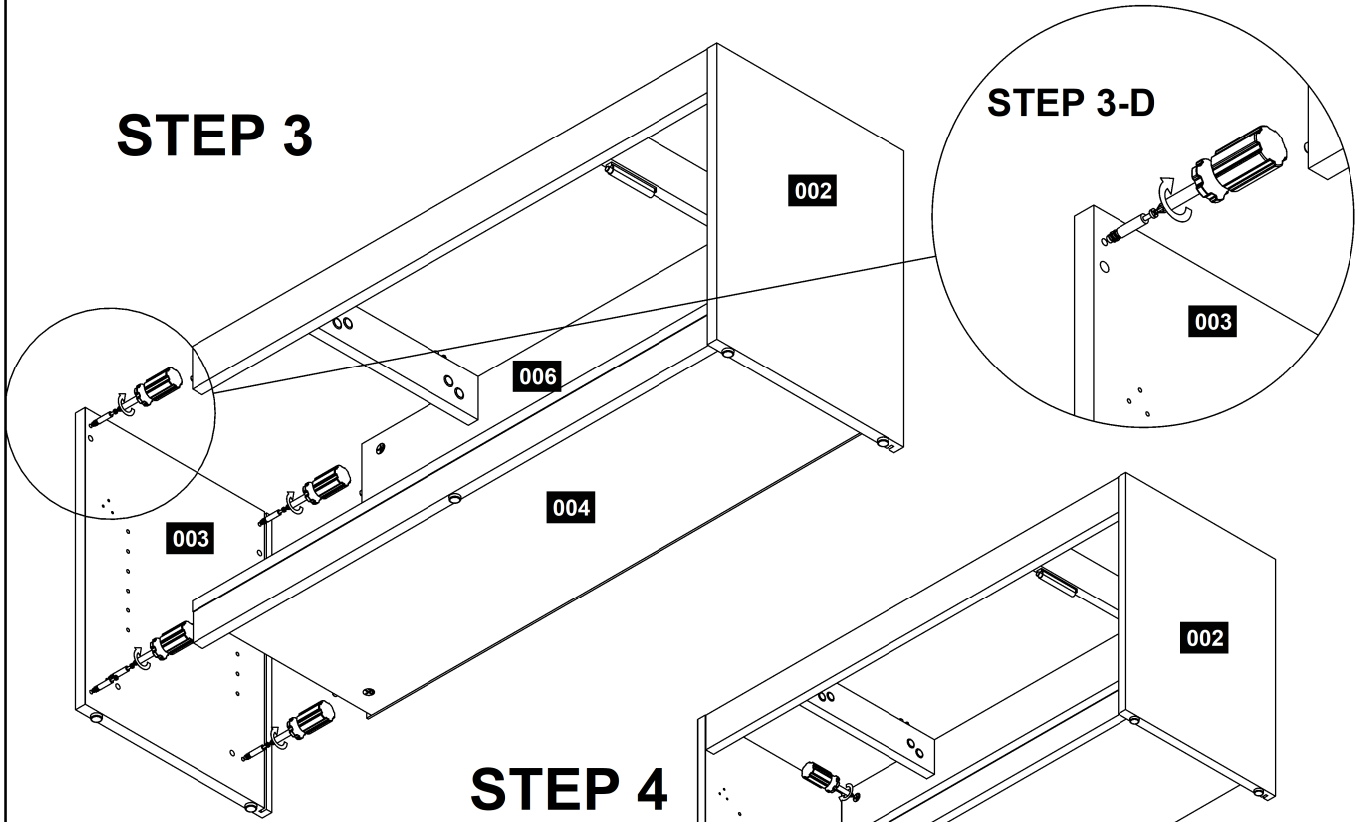
STEP 2C



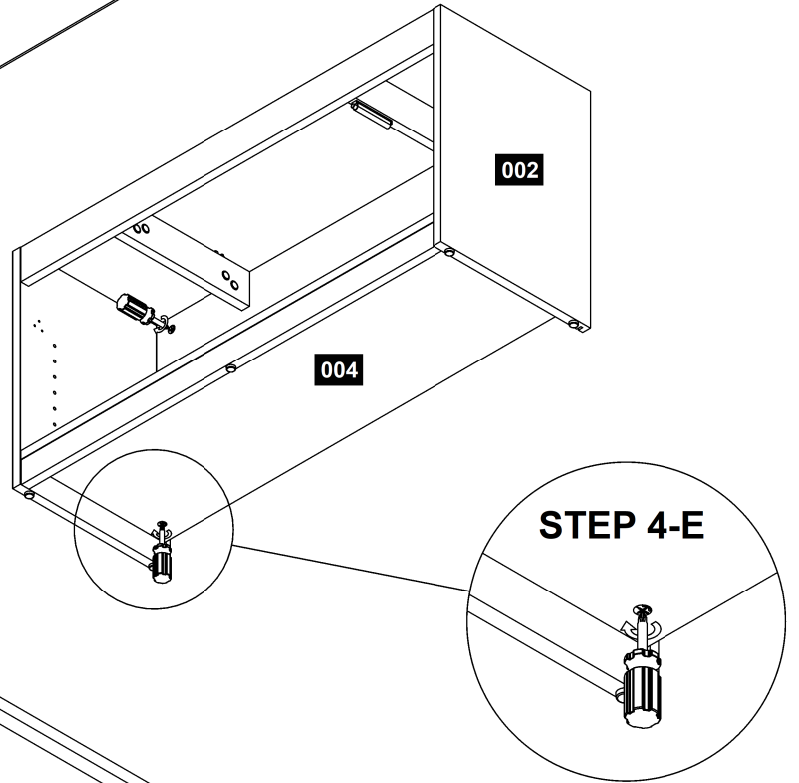
STEP 2

WS1 3,5x16  x40	0002+M3  19	M2  x19	S13  x2	K1  x16
---	--	--	--	--

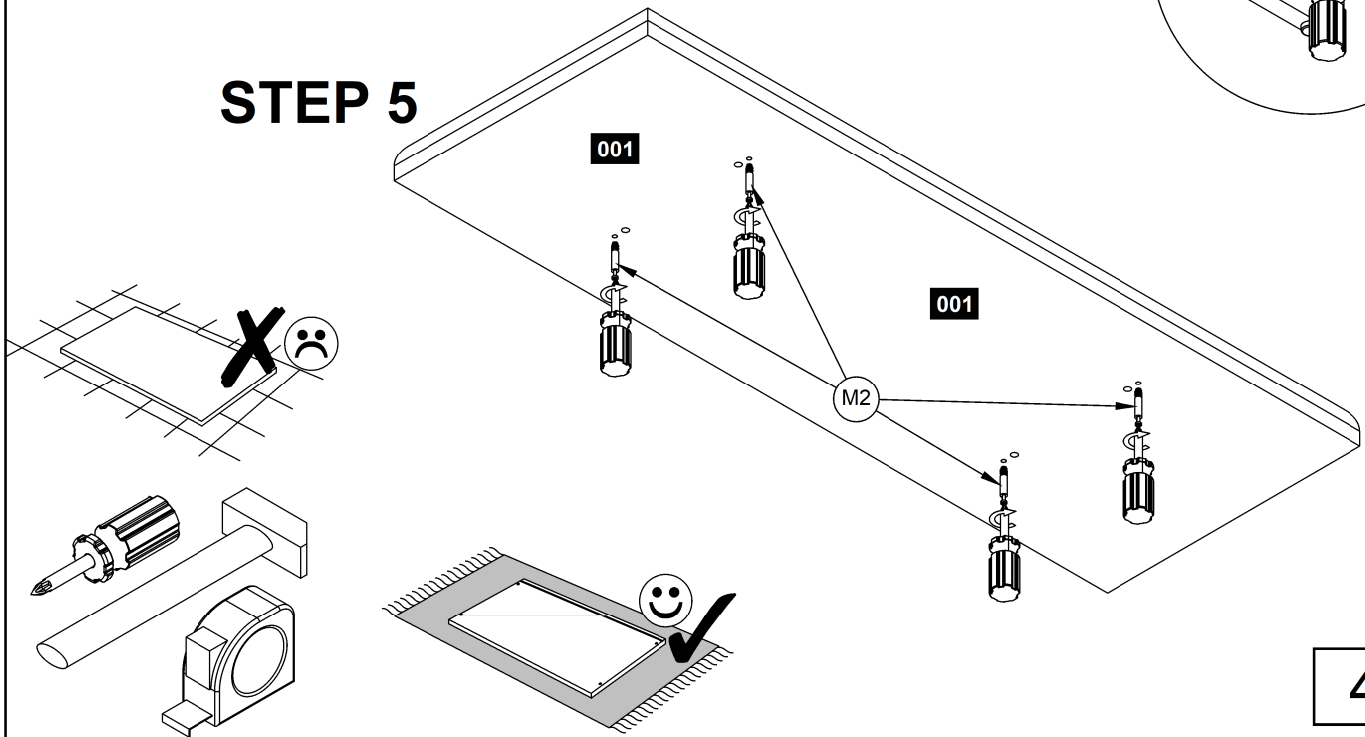
STEP 3



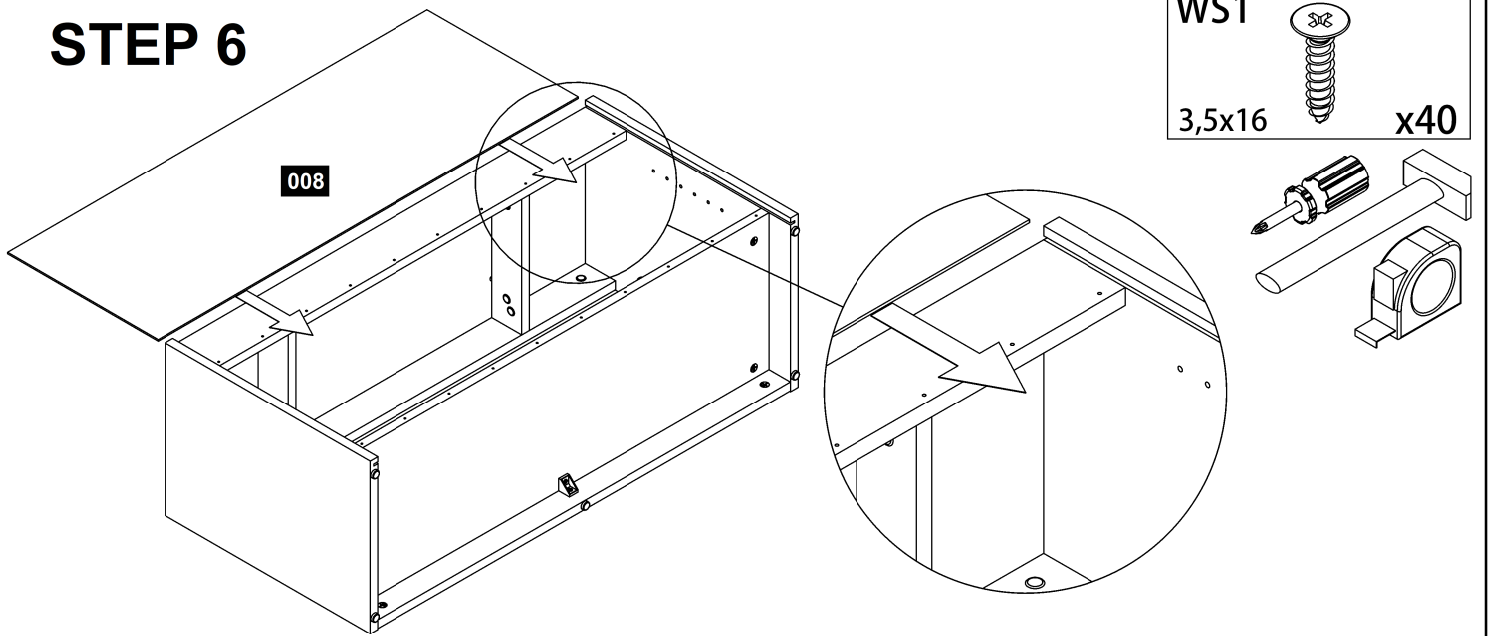
STEP 4



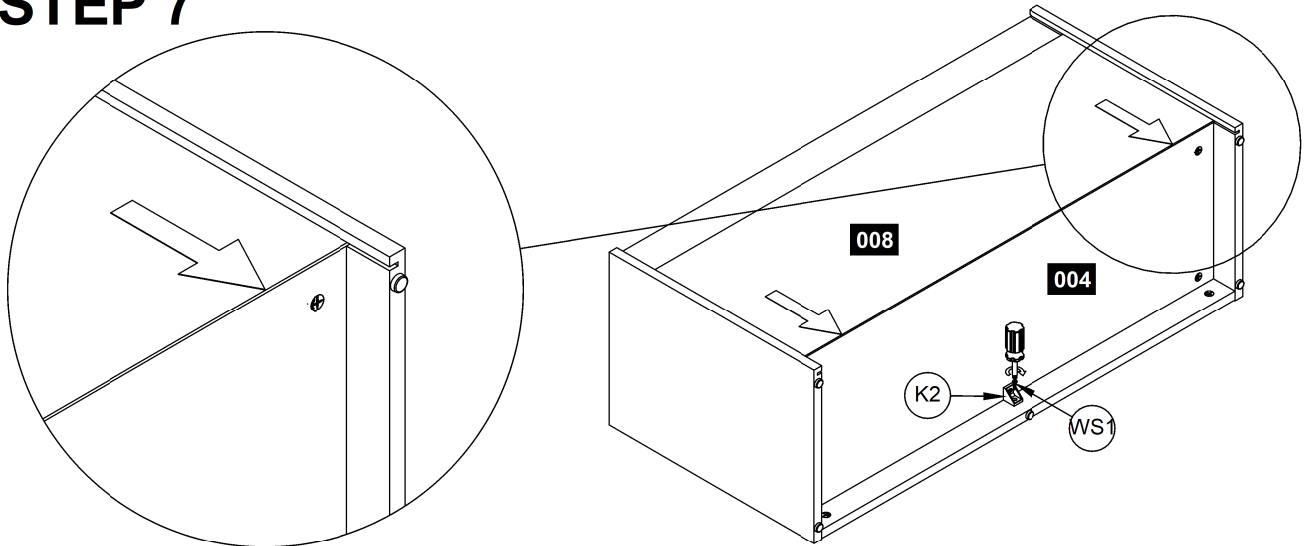
STEP 5



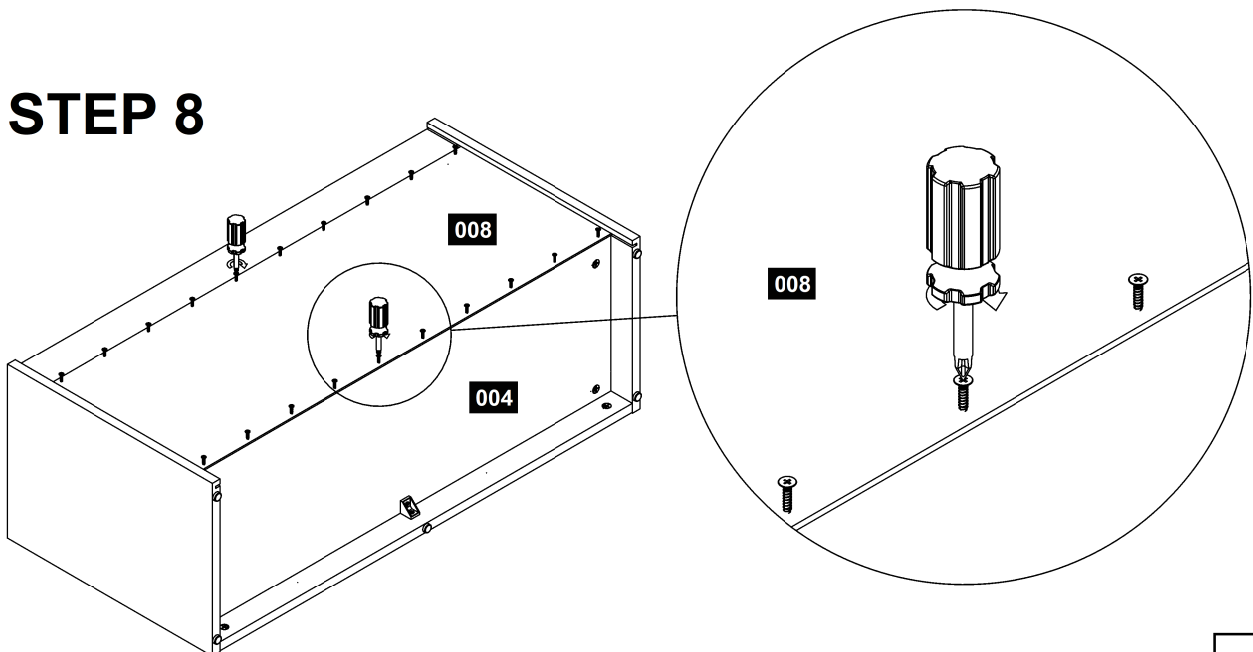
STEP 6



STEP 7

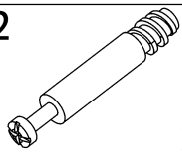


STEP 8



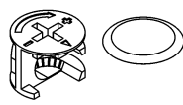
STEP 9

M2

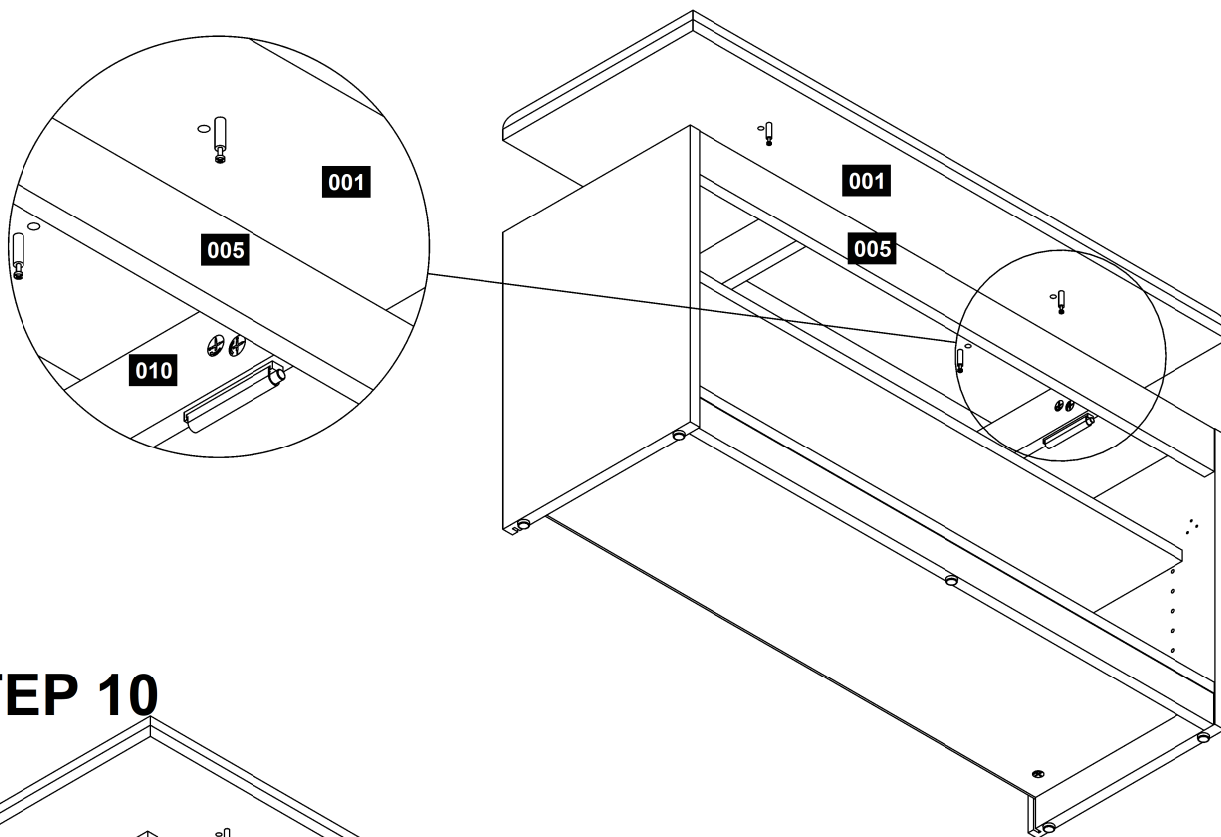
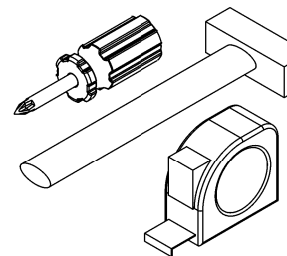


x19

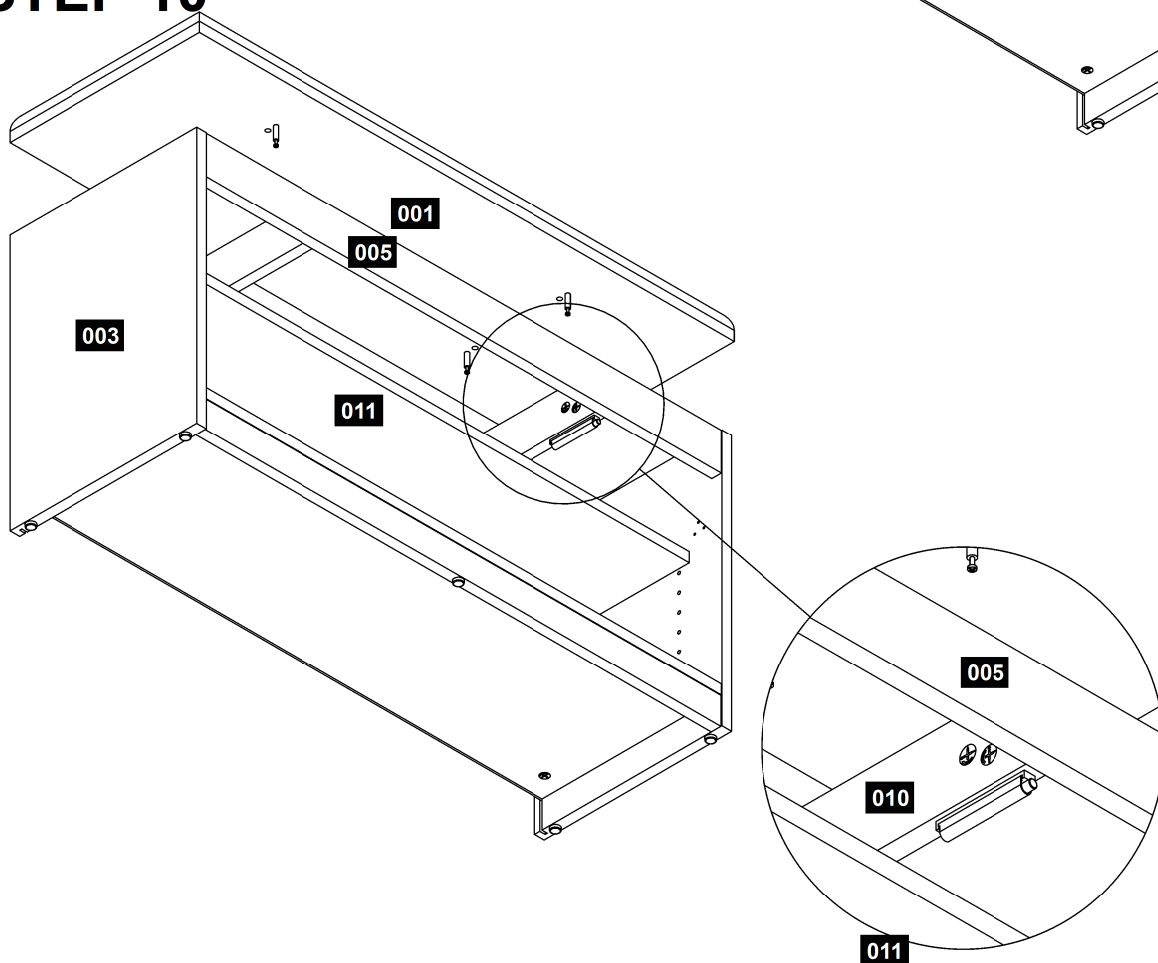
M1+M3



19

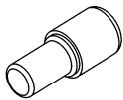


STEP 10

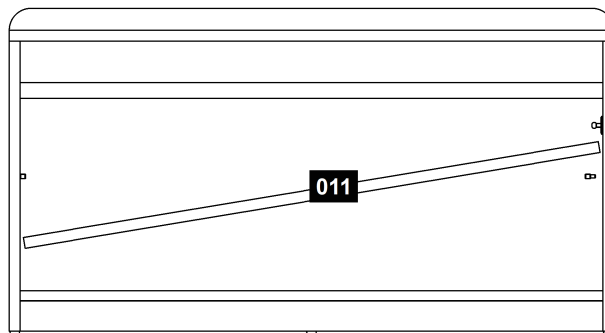
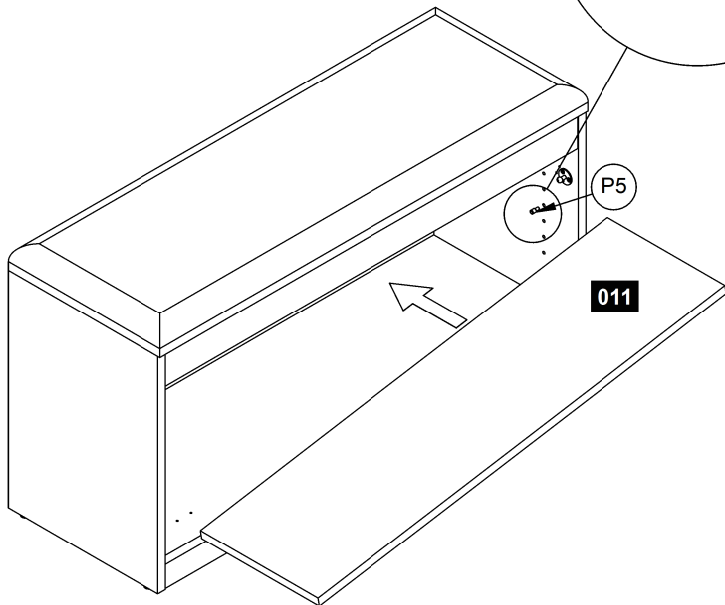
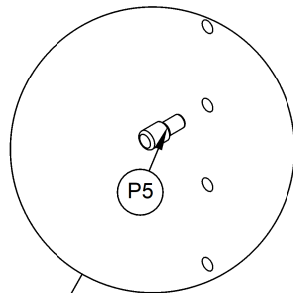
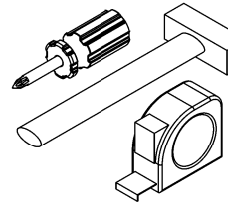


STEP 11

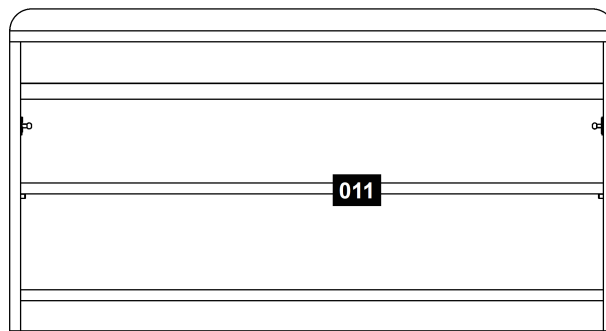
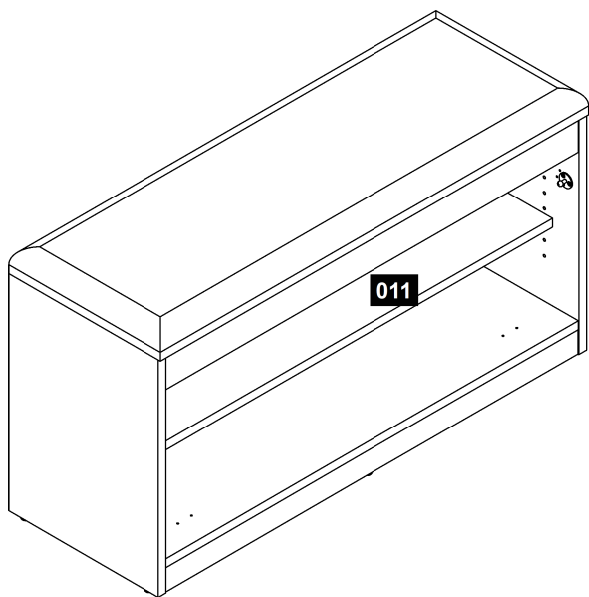
P5



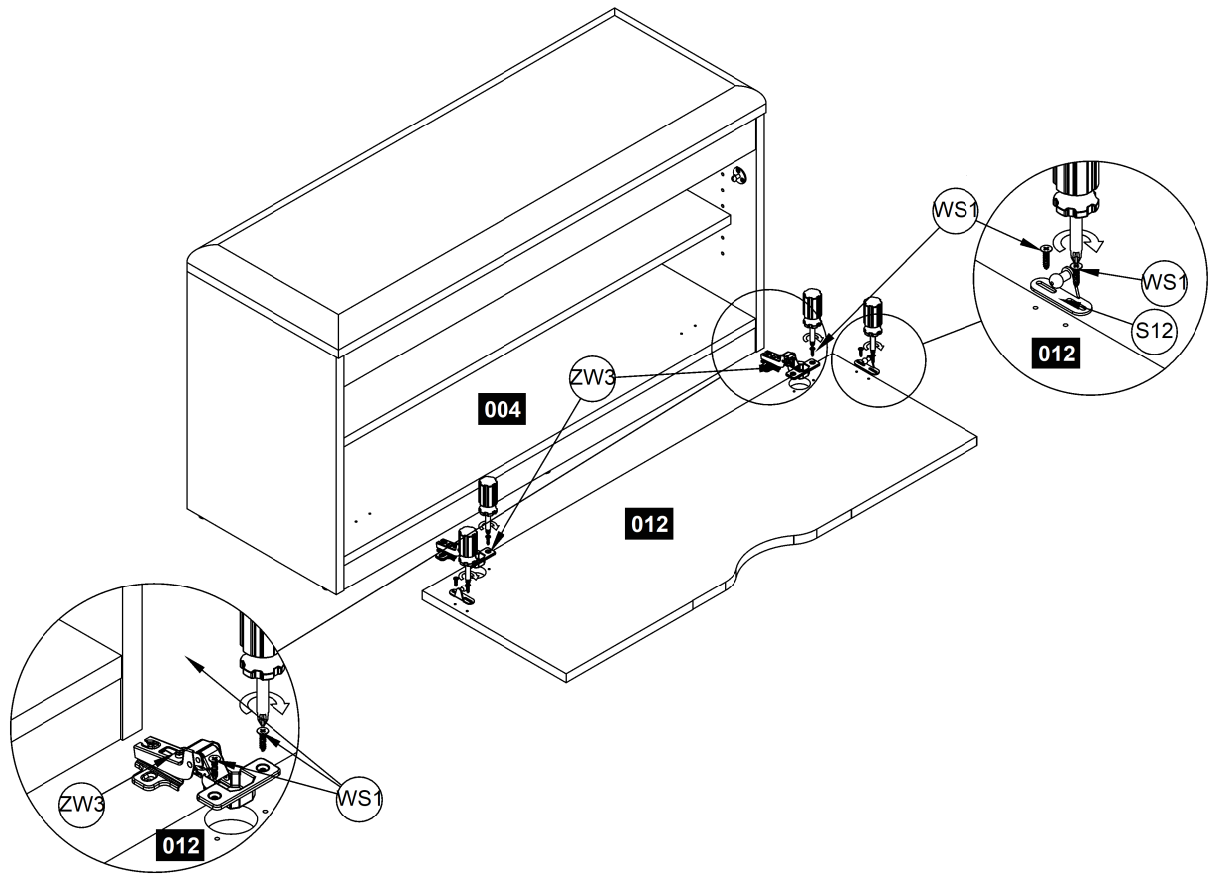
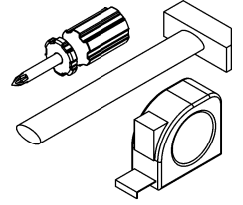
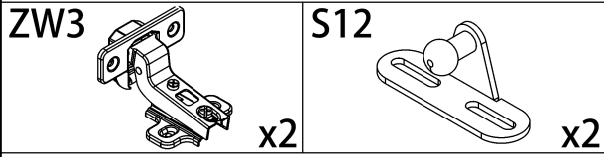
x4



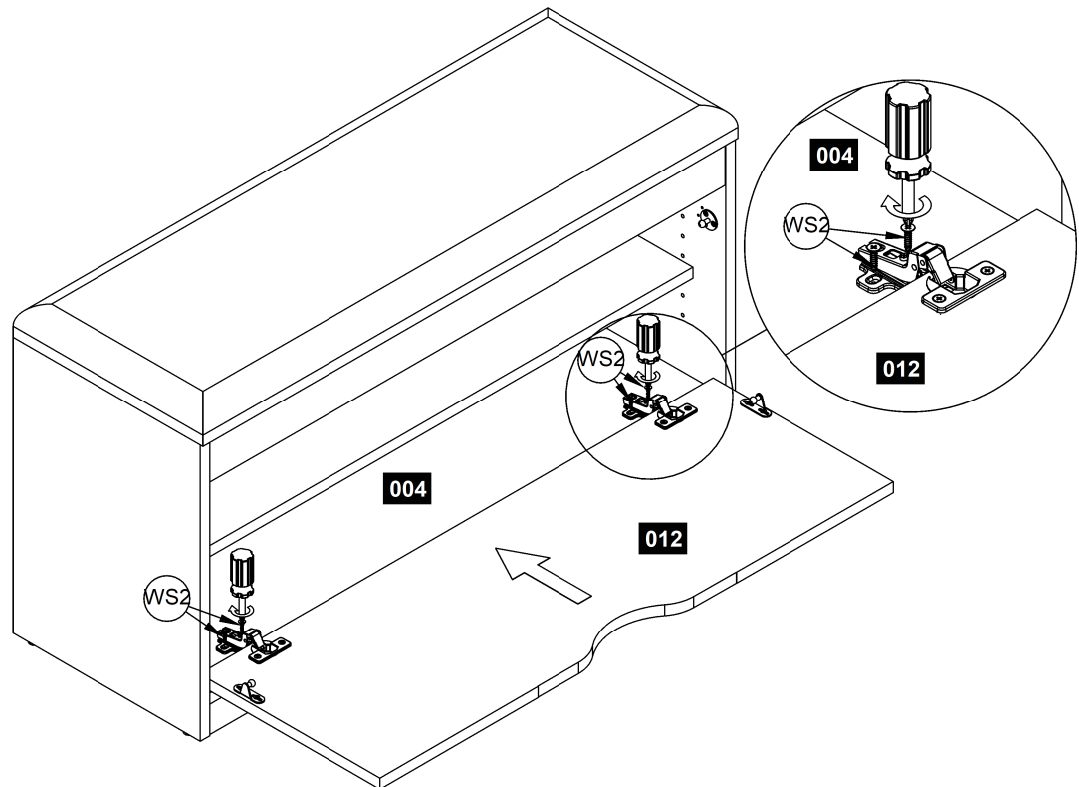
STEP 12



STEP 13

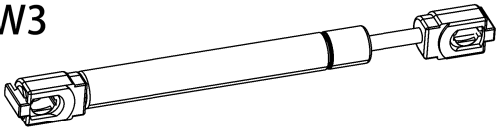


STEP 14

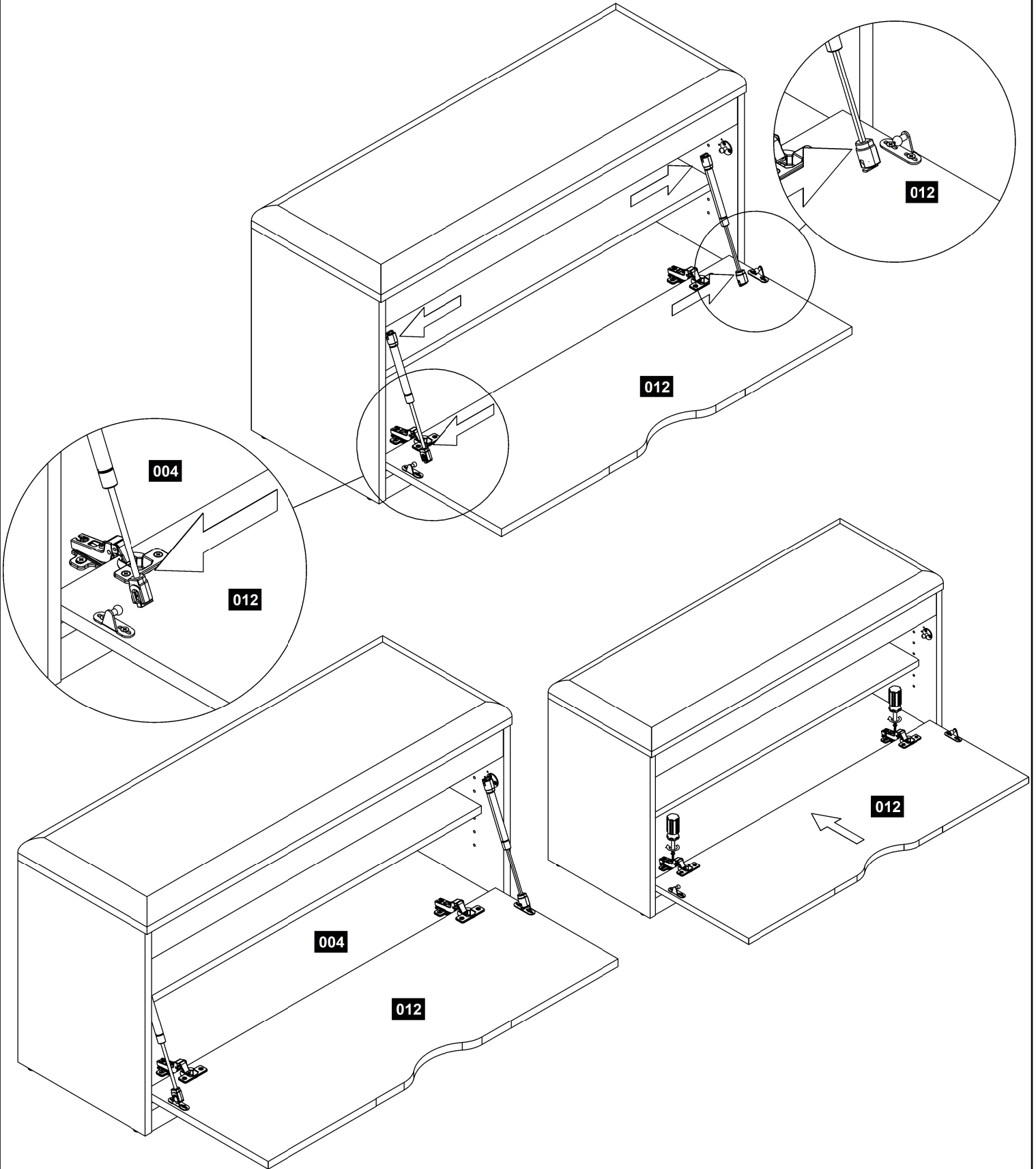


STEP 15

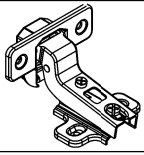
ZW3



x2



ZW3



X2

