

Artikelnummer:  
**94314**

EAN-Nummer:  
4000870943144

Name  
**RIO IP44 Steckdosensäule eckig 2 fach Anthrazit Zeitschaltuhr**

Hersteller  
Paulmann

#### Artikelinfo

Interner Code	943.14
EAN	4000870943144
Farbe	Anthrazit
Material	Edelstahl
Garantie	5 Jahre
Hersteller	Paulmann
Lieferumfang	Montageanleitung

#### Abmessungen

Gewicht netto	1.289 g
Verpackungsmaße BxHxL	13,6 x 25,1 x 10,5 cm
Abmessung (Höhe x Breite x Tiefe)	H: 230 x B: 85 x T: 120 mm

#### Technische Daten

Dimmbar	Nein
Spannung	230 V

#### Leuchtmitteldaten

Max. Leistung	3.650 W
Anzahl Brennstellen	nv
Lebensdauer	20.000 h
Max. Leistung	max. 3,650 W
Leuchtmittelleigenschaft	ohne Leuchtmittel





Paulmann

### Safety Instructions

0, 1, 2, 3, 6, 11, 15, 18, 23, 25, 27



Info

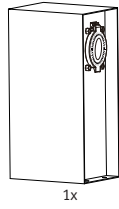
[www.paulmann.com](http://www.paulmann.com)

Paulmann Licht GmbH  
Quezinger Feld 2  
31832 Springe  
Germany

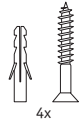
[www.paulmann.com](http://www.paulmann.com)

Art.-Nr.: 943.14

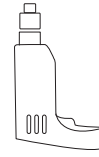
(+MA 173) PAEA 08/19



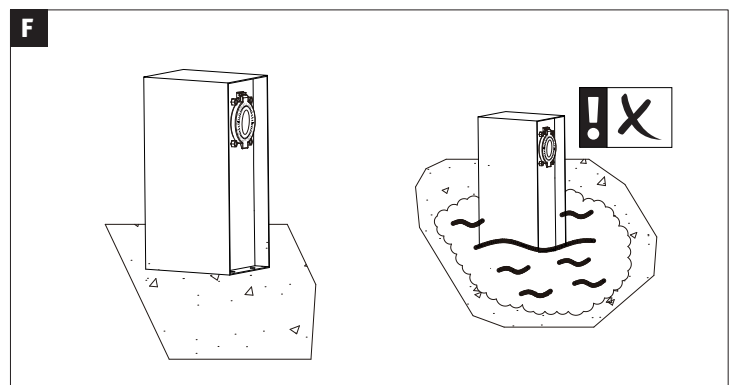
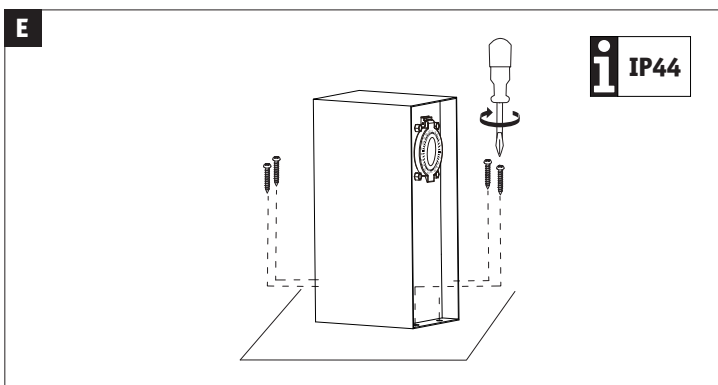
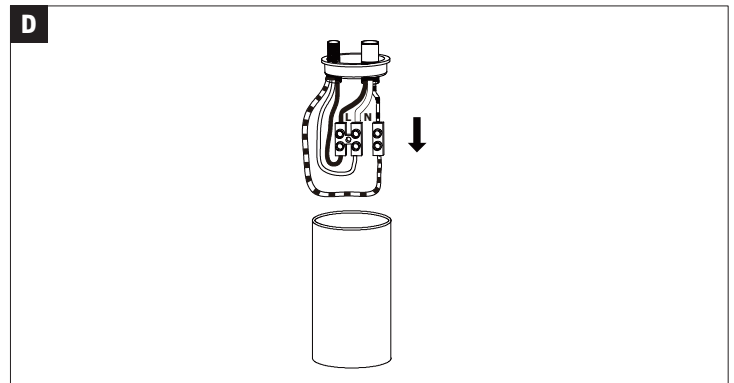
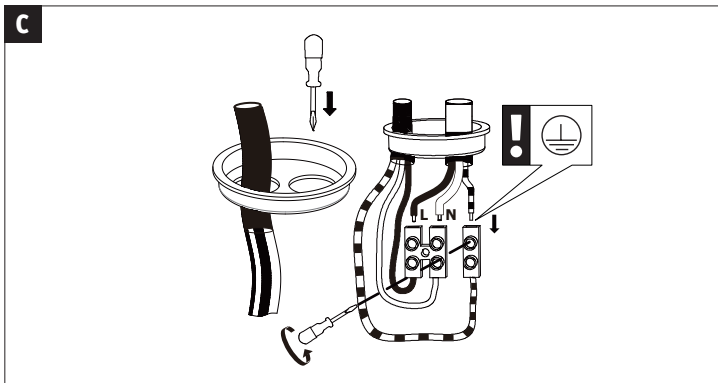
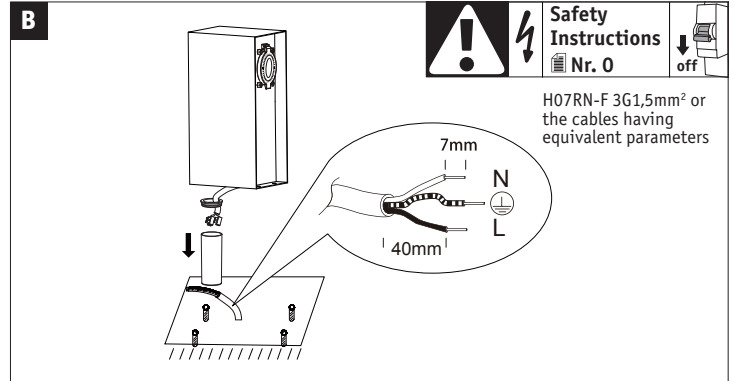
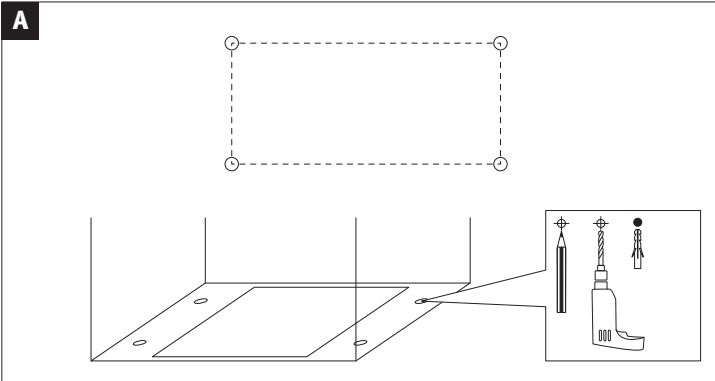
1x



4x



ø6mm





Paulmann

### Safety Instructions

0, 1, 2, 3, 6, 11, 15, 18, 23, 25, 27



Info

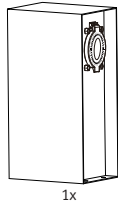
[www.paulmann.com](http://www.paulmann.com)

Paulmann Licht GmbH  
Quezinger Feld 2  
31832 Springe  
Germany

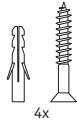
[www.paulmann.com](http://www.paulmann.com)

Art.-Nr.: 943.14

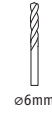
(+MA 173) PAEA 08/19



1x



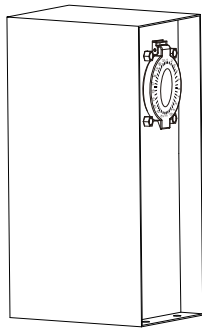
4x



ø6mm



### Instruction manual for mechanical timer



Setup procedures: push indicator outside, each indicator 15min, power on when indicator is pushed to outside. e.g.: setup timer working on 8:00am-11:00 am and 13:00pm-17:00pm, only need to push all the indicators which belong to these two periods outside.

Set current time: turn the dial clockwise, make the triangle arrow point to the current moment. e.g.: current time 8:00am, turn the dial clockwise, make the triangle arrow points to the number 8.

Push green time switch to location, then the controlled electrical appliances will be set and had timer function. Push green time switch to "I" location, then no timer function for controlled electrical appliances.

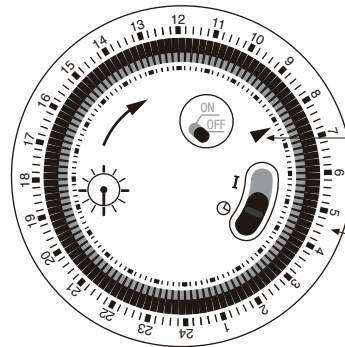
Note: If the indicator which is pointed by the triangle arrow can not be pushed outside, just turn the dial clockwise and make this indicator is not pointed.

If there is power off, must recalibrate current moment

Unless change the setting, otherwise keep the same setup procedures everyday

Caution, risk of electric shock! Do not disassemble the mechanical timer. When repairing, please always consult a qualified electrician in accordance with local safety regulations for help and use original.

1

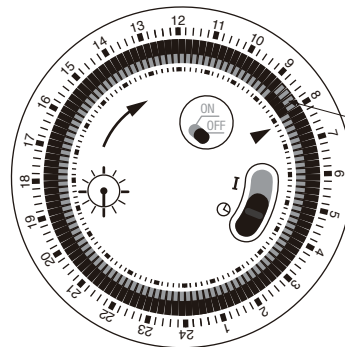


Current time

Hour indicator 1 to 24 h

Connect power and set hour indicator according to actual time

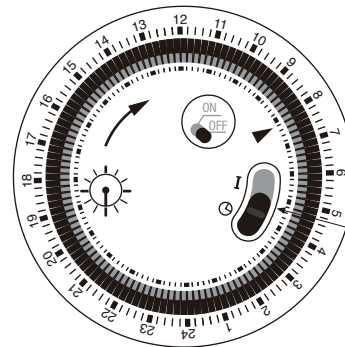
2



Time switch active 15 min

Set timer, push indicator outside (each indicator 15 min)

3



Time switch on/off



- Activate timer



- Deactivate timer

Artikelnummer:  
**94314**

EAN-Nummer:  
4000870943144

Name  
**RIO IP44 Steckdosensäule eckig 2 fach Anthrazit Zeitschaltuhr**

Hersteller  
Paulmann

#### Artikelinfo

Interner Code	943.14
EAN	4000870943144
Farbe	Anthrazit
Material	Edelstahl
Garantie	5 Jahre
Hersteller	Paulmann
Lieferumfang	Montageanleitung

#### Abmessungen

Gewicht netto	1.289 g
Verpackungsmaße BxHxL	13,6 x 25,1 x 10,5 cm
Abmessung (Höhe x Breite x Tiefe)	H: 230 x B: 85 x T: 120 mm

#### Technische Daten

Dimmbar	Nein
Spannung	230 V

#### Leuchtmitteldaten

Max. Leistung	3.650 W
Anzahl Brennstellen	nv
Lebensdauer	20.000 h
Max. Leistung	max. 3,650 W
Leuchtmittelleigenschaft	ohne Leuchtmittel





Paulmann

### Safety Instructions

0, 1, 2, 3, 6, 11, 15, 18, 23, 25, 27



Info

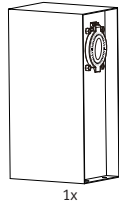
[www.paulmann.com](http://www.paulmann.com)

Paulmann Licht GmbH  
Quezinger Feld 2  
31832 Springe  
Germany

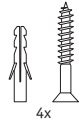
[www.paulmann.com](http://www.paulmann.com)

Art.-Nr.: 943.14

(+MA 173) PAEA 08/19



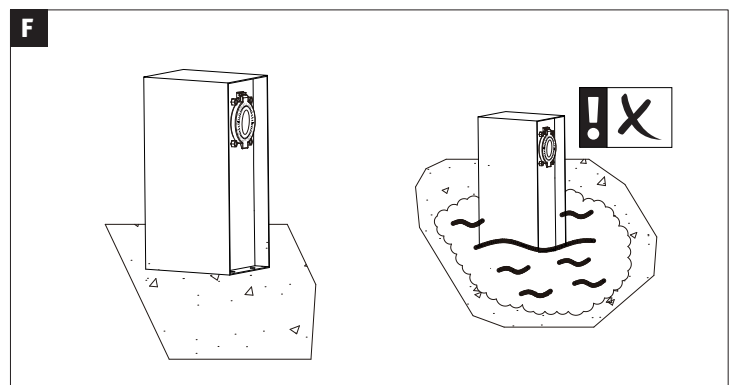
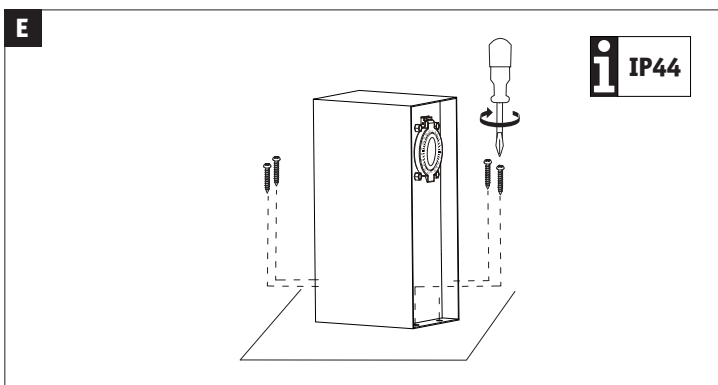
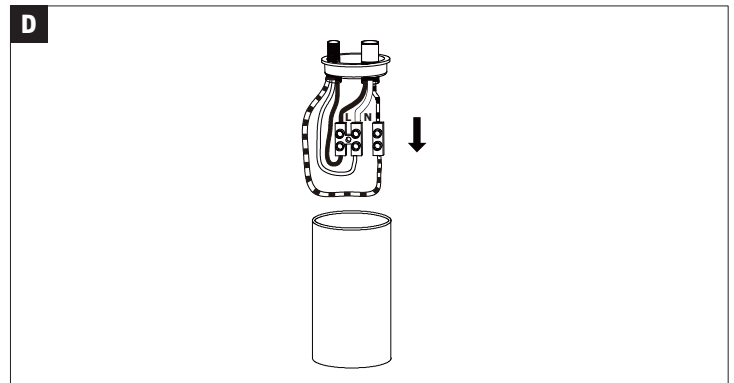
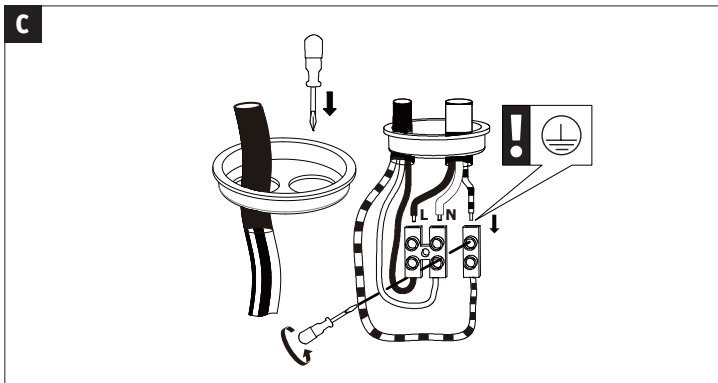
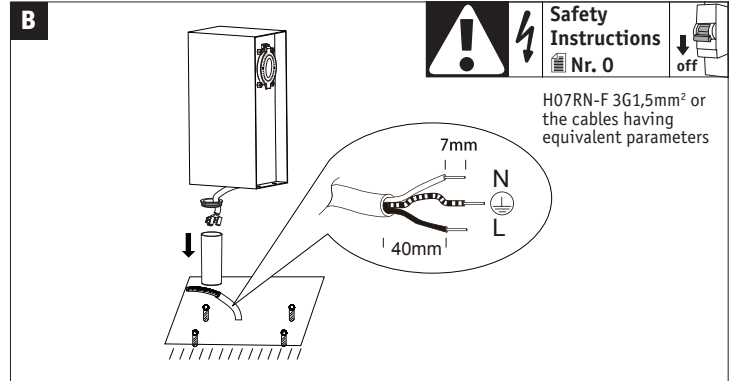
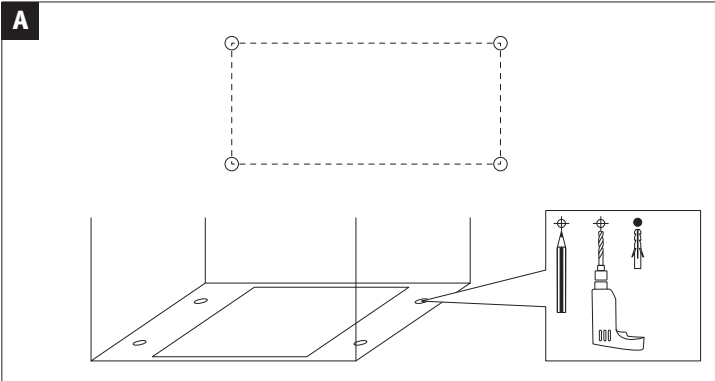
1x



4x



ø6mm





Paulmann

### Safety Instructions

0, 1, 2, 3, 6, 11, 15, 18, 23, 25, 27



Info

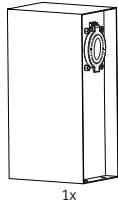
[www.paulmann.com](http://www.paulmann.com)

Paulmann Licht GmbH  
Quezinger Feld 2  
31832 Springe  
Germany

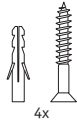
[www.paulmann.com](http://www.paulmann.com)

Art.-Nr.: 943.14

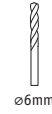
(+MA 173) PAEA 08/19



1x



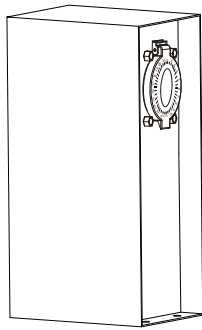
4x



ø6mm



### Instruction manual for mechanical timer



Setup procedures: push indicator outside, each indicator 15min, power on when indicator is pushed to outside. e.g.: setup timer working on 8:00am-11:00 am and 13:00pm-17:00pm, only need to push all the indicators which belong to these two periods outside.

Set current time: turn the dial clockwise, make the triangle arrow point to the current moment. e.g.: current time 8:00am, turn the dial clockwise, make the triangle arrow points to the number 8.

Push green time switch to location, then the controlled electrical appliances will be set and had timer function. Push green time switch to "I" location, then no timer function for controlled electrical appliances.

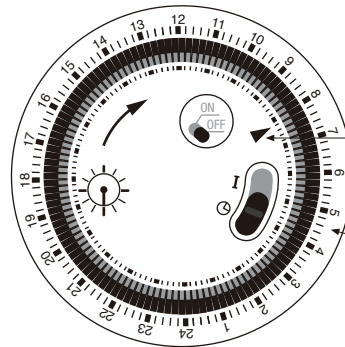
Note: If the indicator which is pointed by the triangle arrow can not be pushed outside, just turn the dial clockwise and make this indicator is not pointed.

If there is power off, must recalibrate current moment

Unless change the setting, otherwise keep the same setup procedures everyday

Caution, risk of electric shock! Do not disassemble the mechanical timer. When repairing, please always consult a qualified electrician in accordance with local safety regulations for help and use original.

1

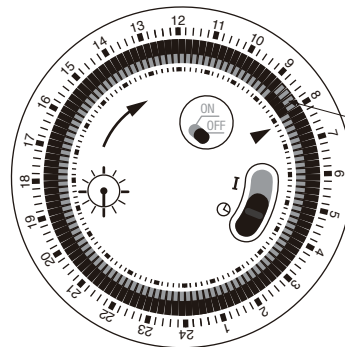


Current time

Hour indicator 1 to 24 h

Connect power and set hour indicator according to actual time

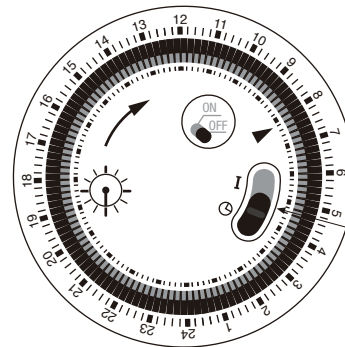
2



Time switch active 15 min

Set timer, push indicator outside (each indicator 15 min)

3



Time switch on/off



- Activate timer



- Deactivate timer