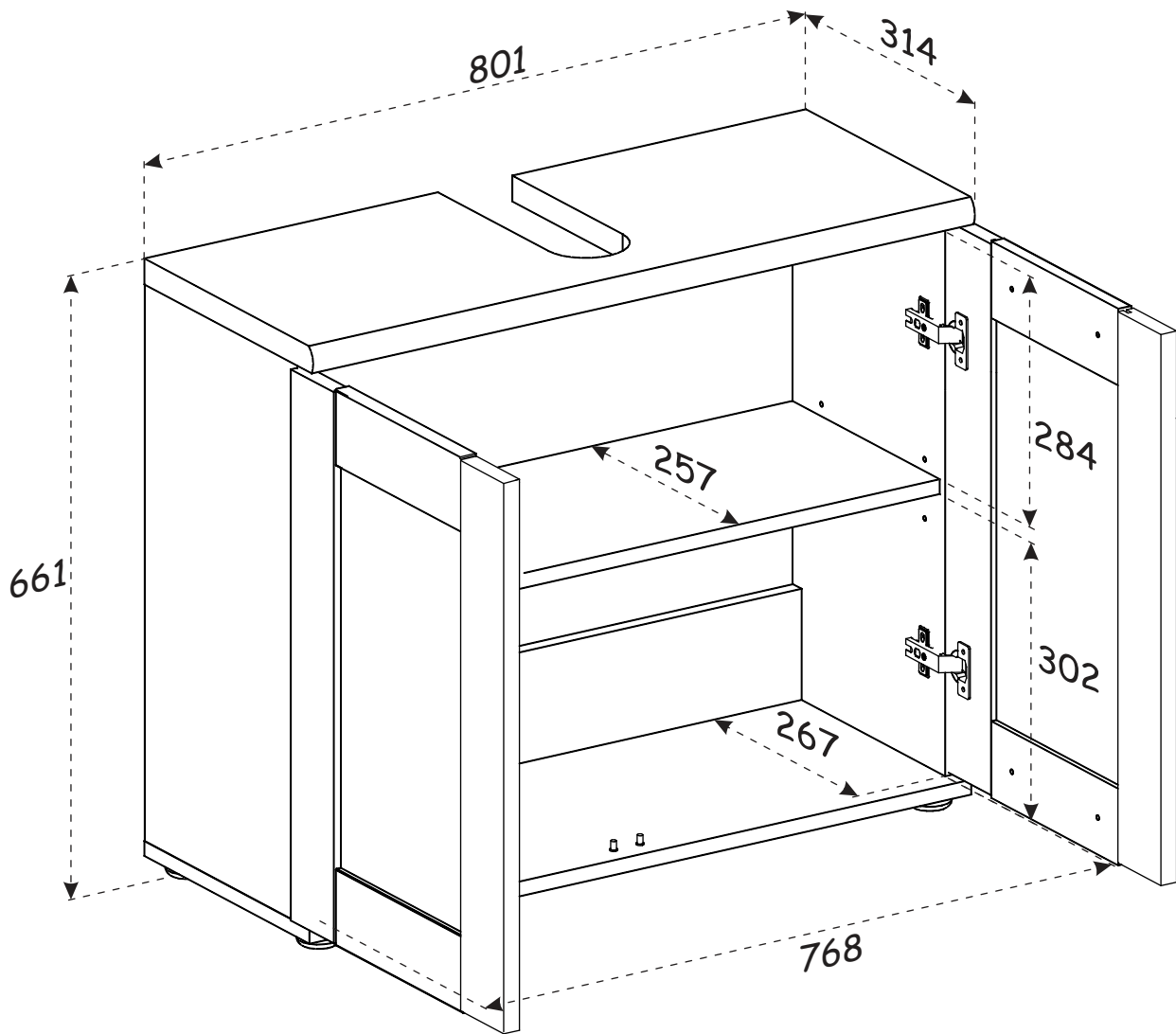


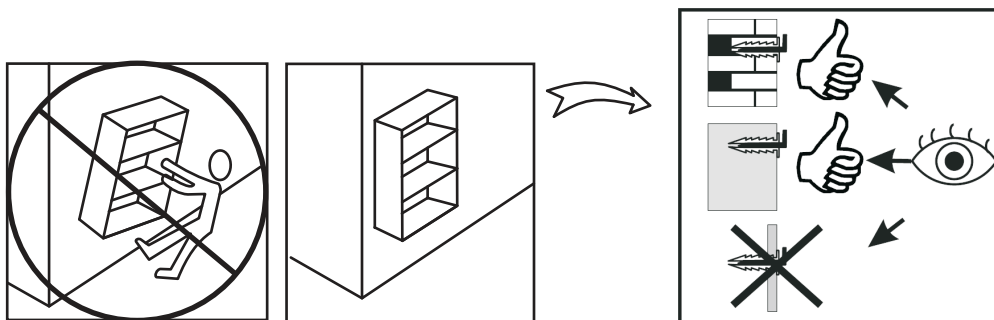
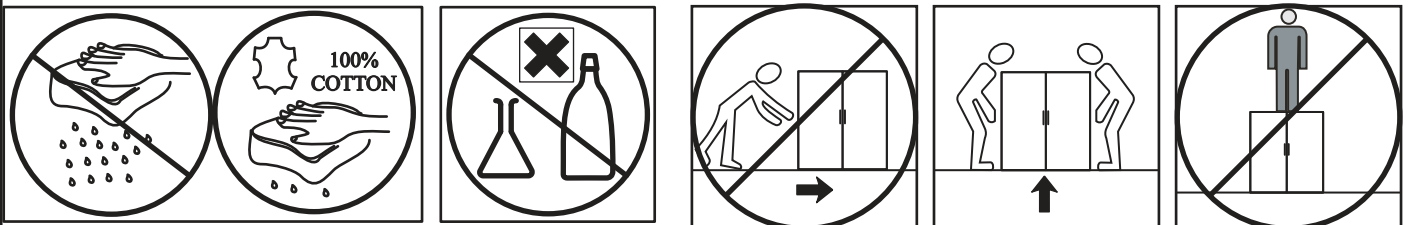
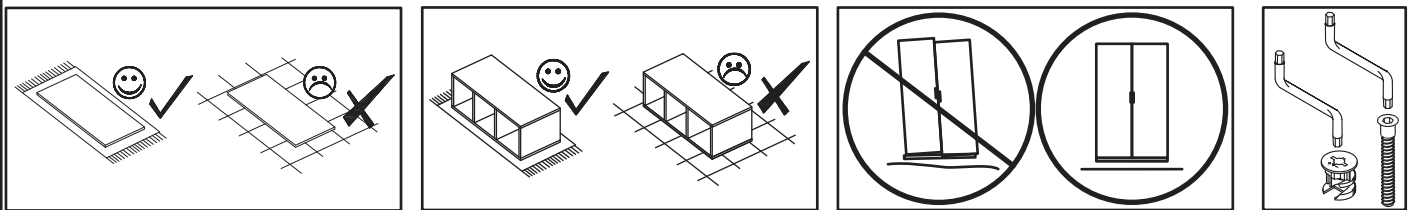
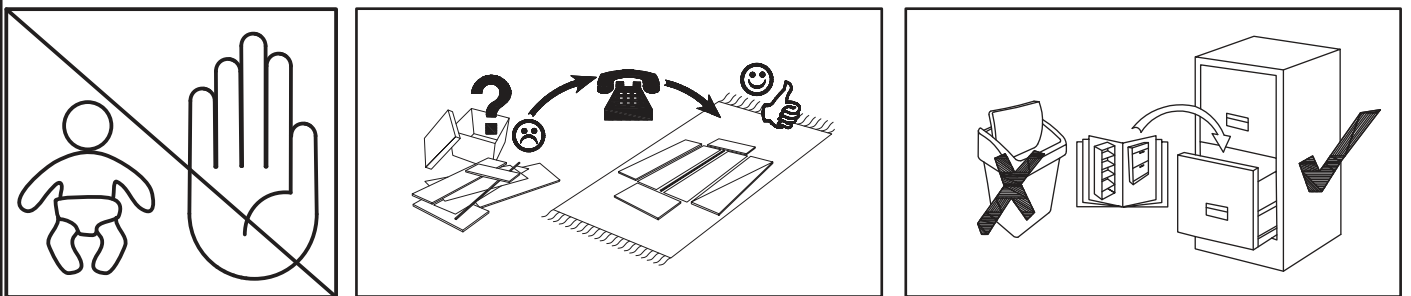
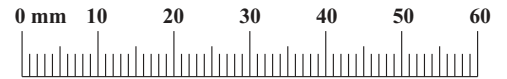
NO	Dim.			Col.-No	Qty
1Z	596	396	19	1	2
102L	602	284	16	1	1
102P	602	284	16	1	1
103D	801	307	16	1	1
4	768	274	16	1	1
106	768	120	16	1	1
107	801	314	28	1	1

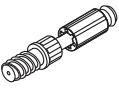
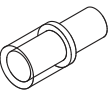
BERGEN

36-046-\_\_6

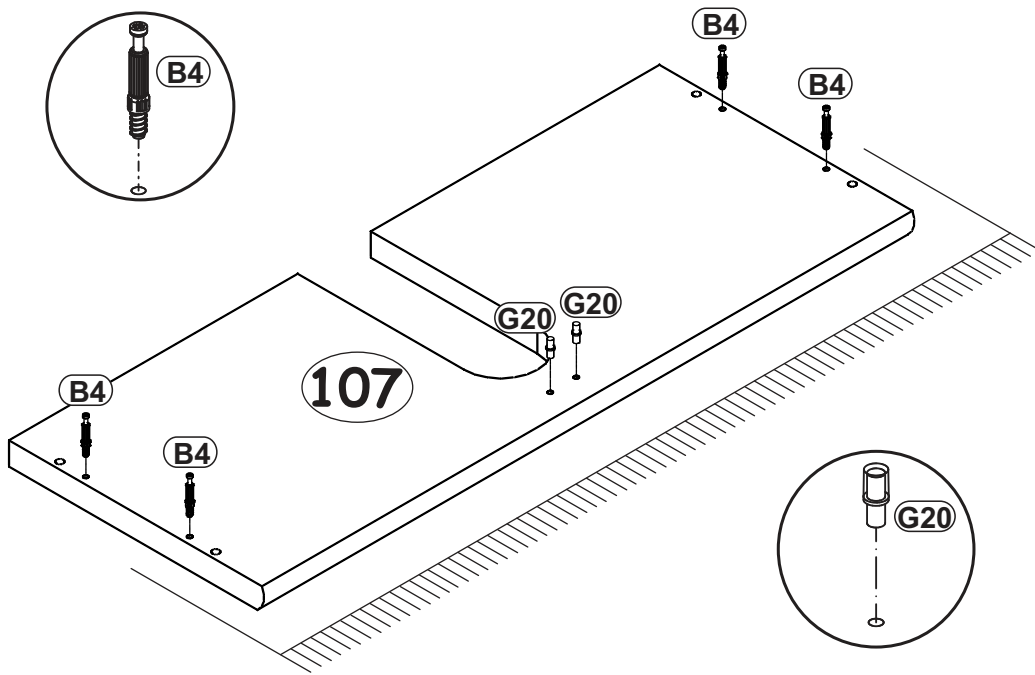


A1 x12 ø8x36	B4 x6	B5 x6 ø15x12	G5 x6	D10 x12 USØ3,5x13	G20 x4
B11 x5 Ø7x50	G4 x5	E21 x4 Ø35 H=0	E2 x4 H=0	I11 x4 Ø45, h=15	G7 x4
KR1 x2	L1 x2	UP16 x4 UPØ4x35	CN1 x2 L=160mm	G2 x1	D11 x4 USØ3,5x25
G12 x4 Ø14					



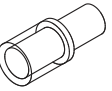


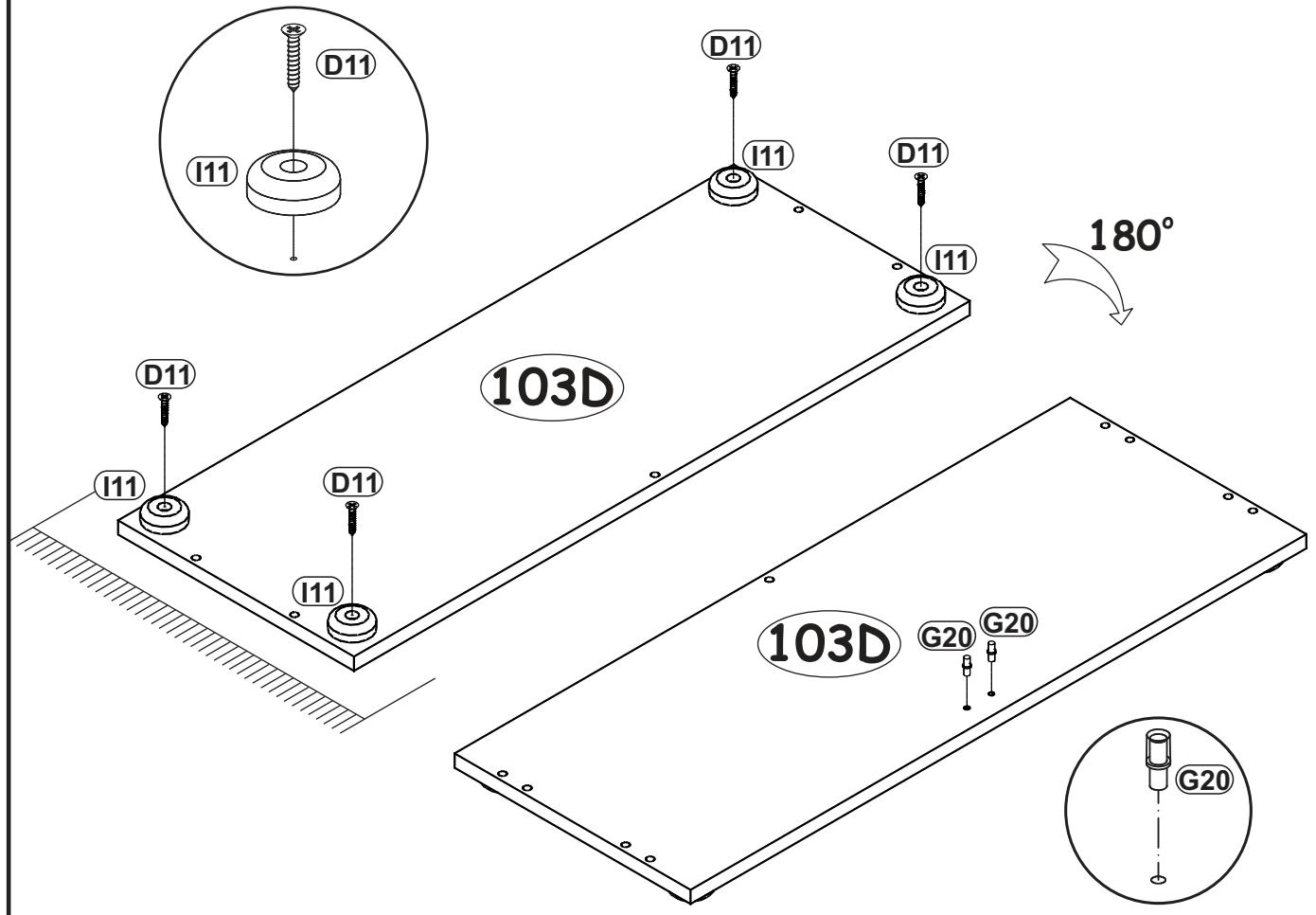
B4		G20	
x4		x2	

1

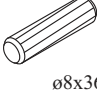
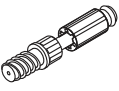

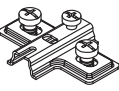
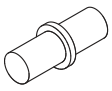


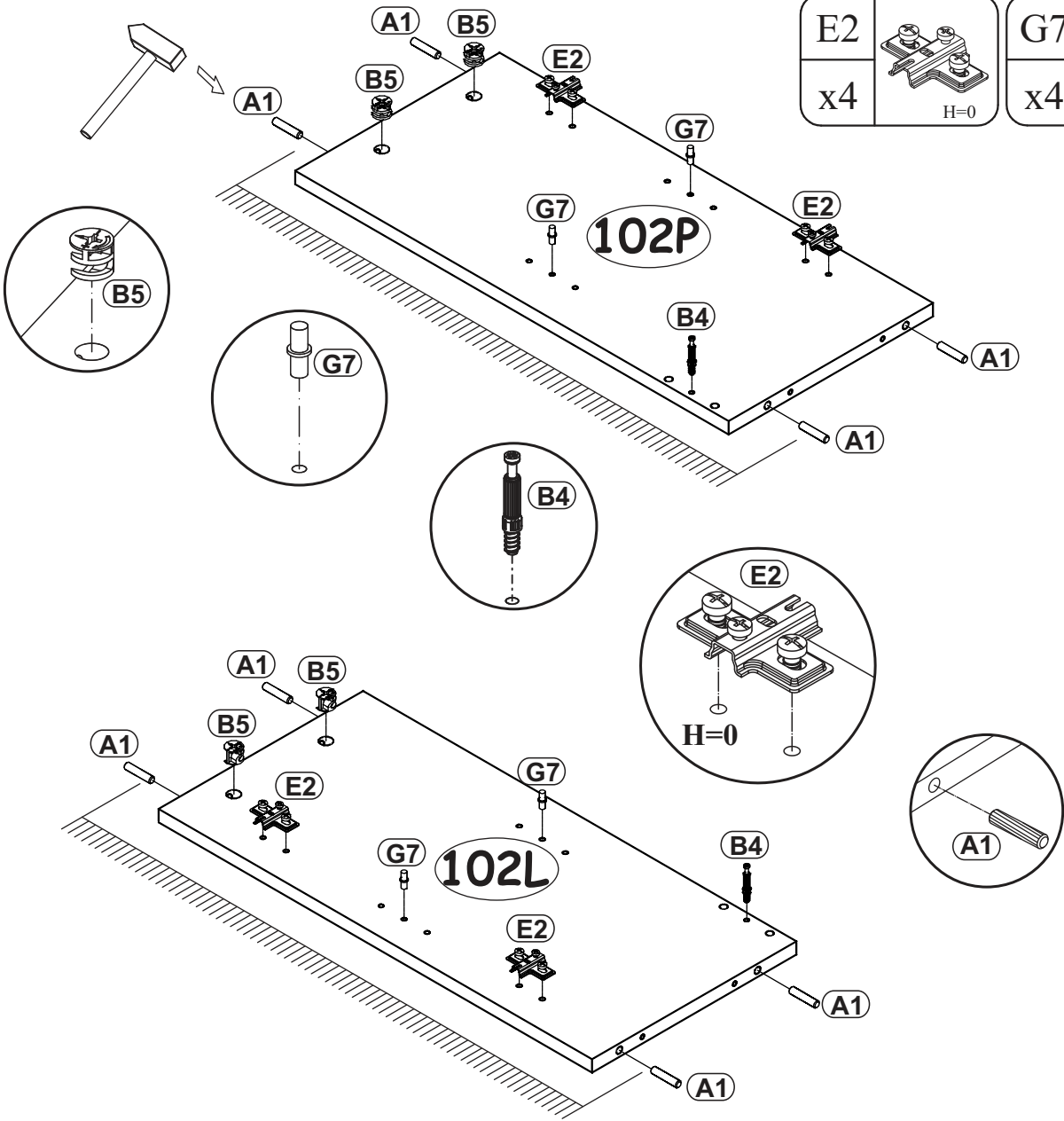
2

I11		D11		G20	
x4	Ø45, h=15	x4	USØ3,5x25	x2	

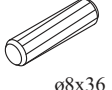



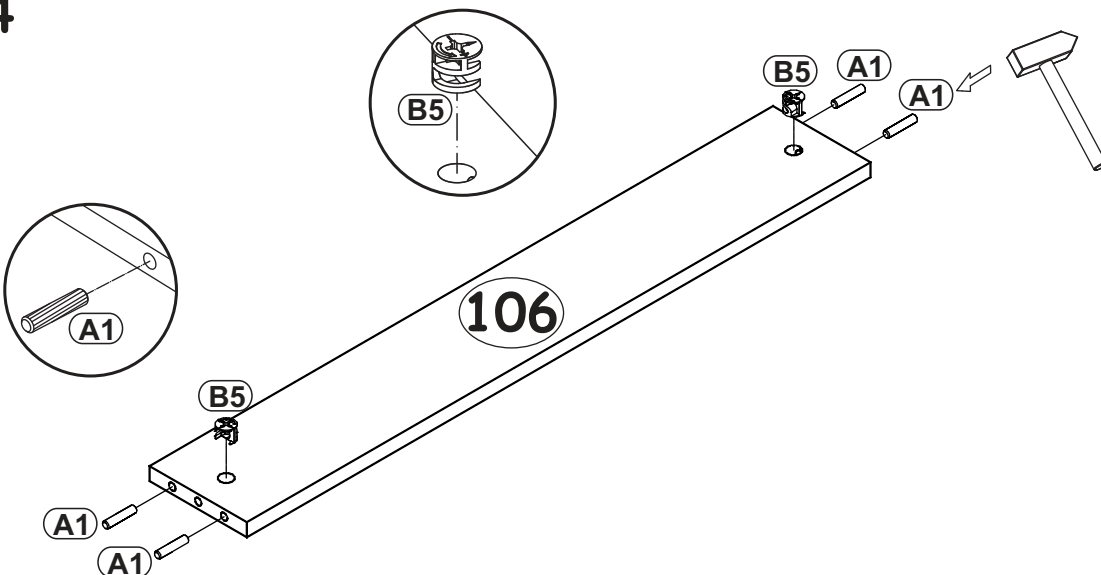
3

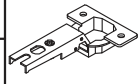
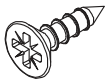
A1 x8	 ø8x36	B4 x2		B5 x4	 ø15x12
E2 x4	 H=0	G7 x4			



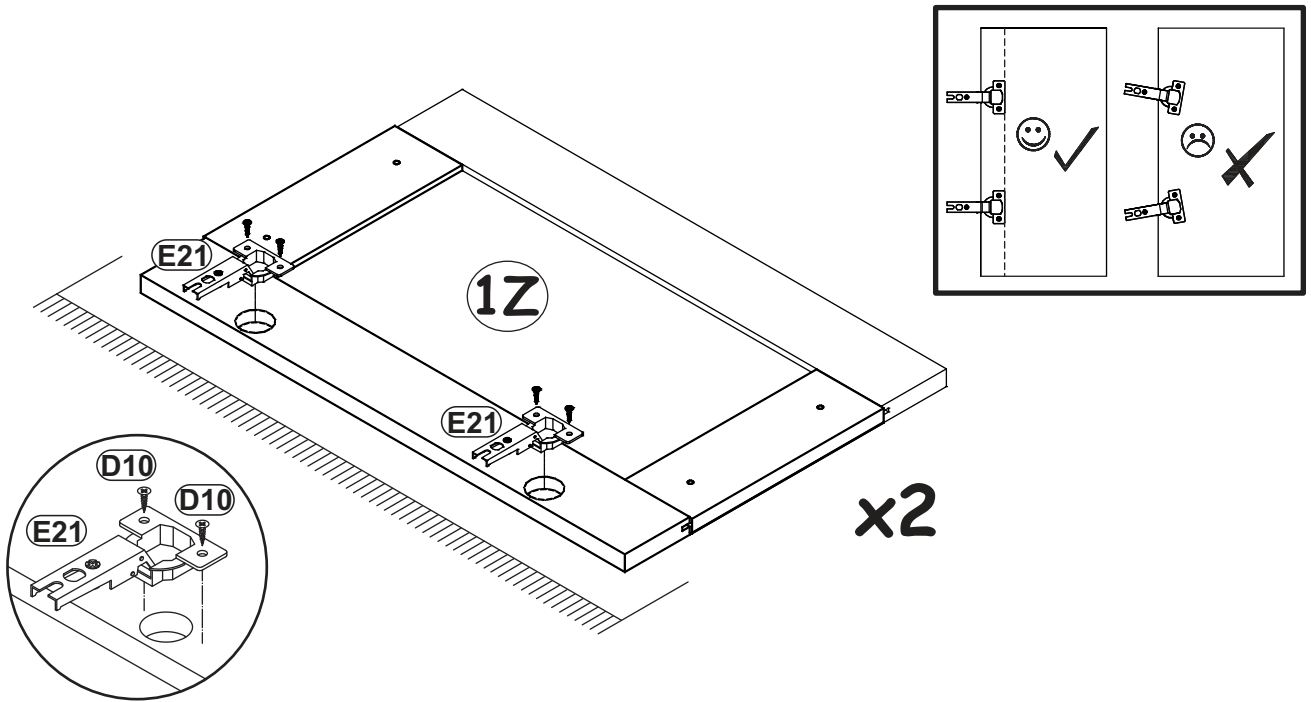
4

A1 x4	 ø8x36	B5 x2	 ø15x12
----------	--	----------	---




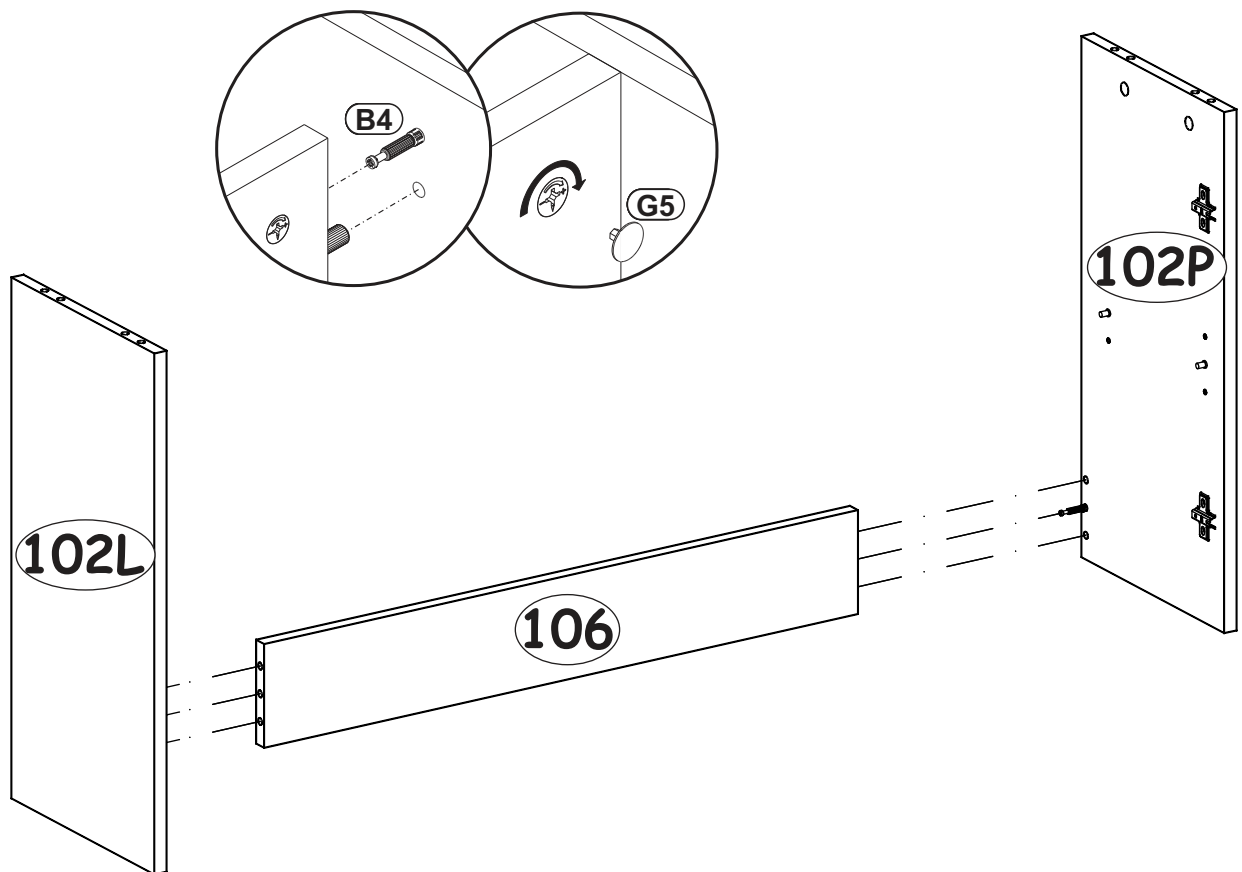
E21	Ø35  H=0	D10	 USØ3,5x13
x4		x8	


5



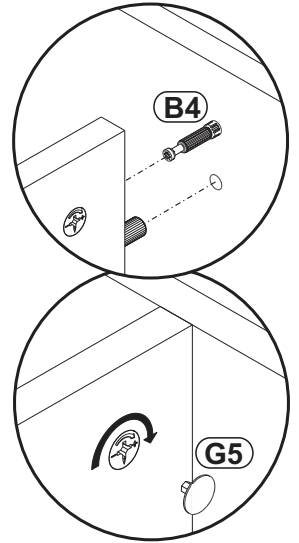
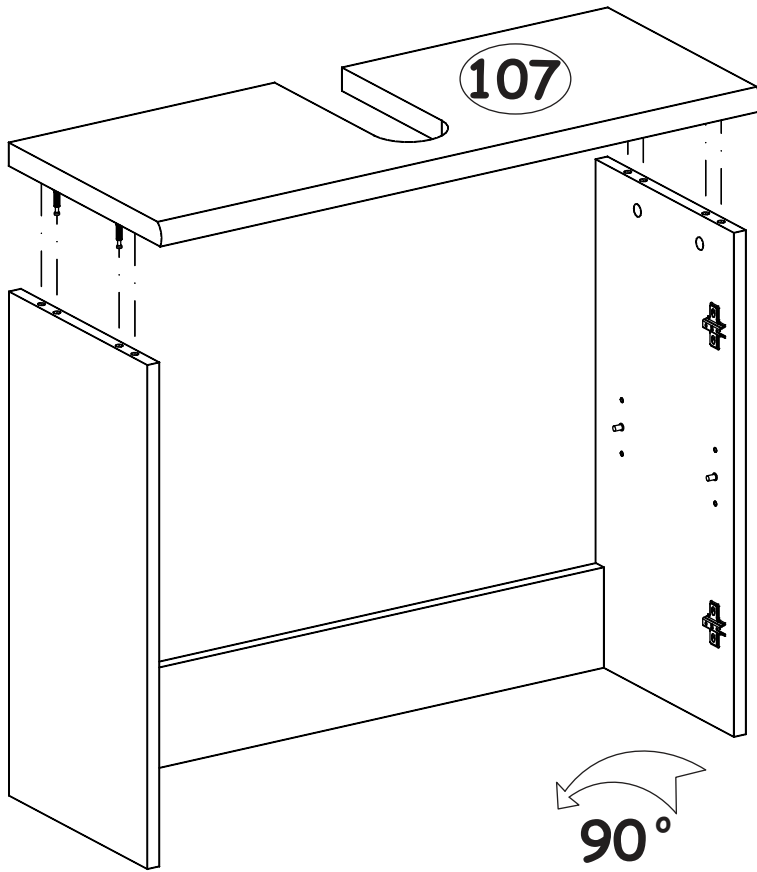
6

G5	
x2	





G5	
x4	

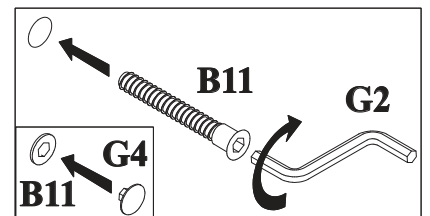
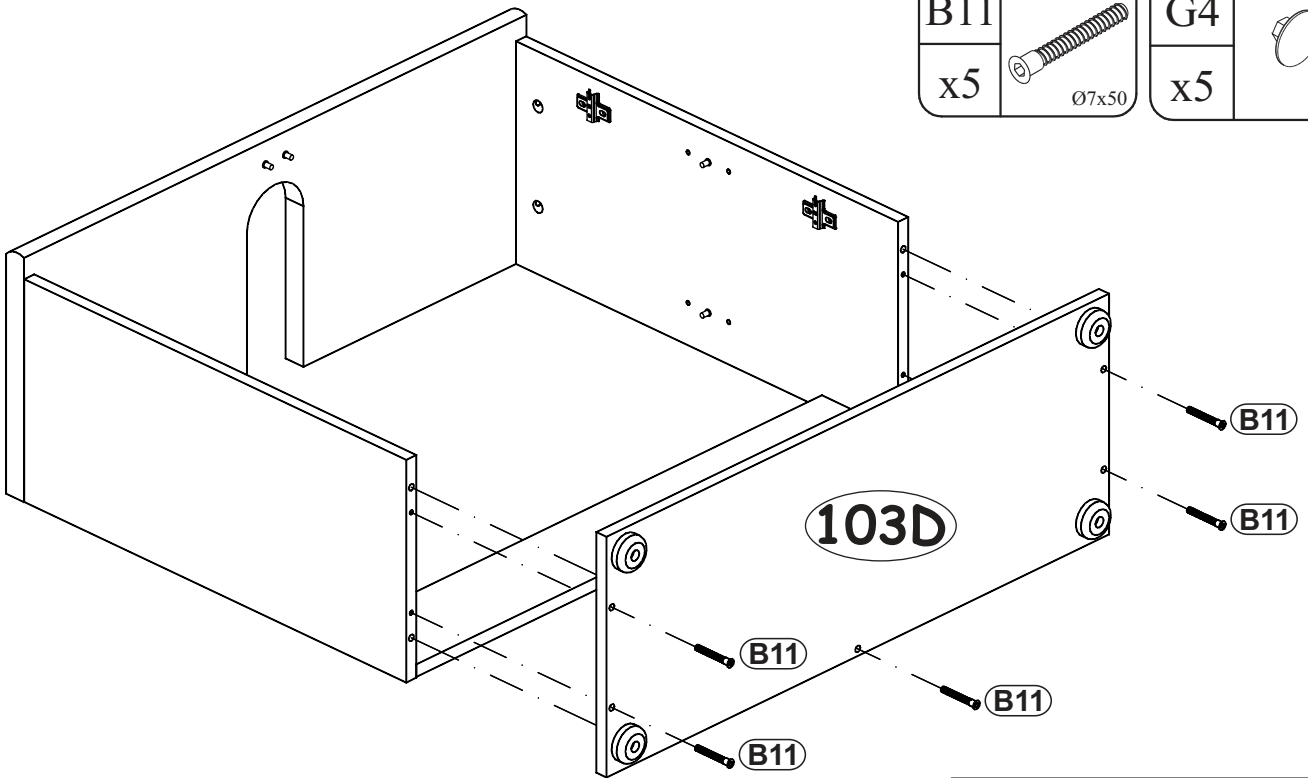
7



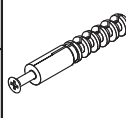
8

B11	
x5	Ø7x50

G4	
x5	

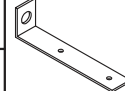


KR1



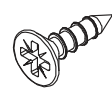
x2

L1



x2

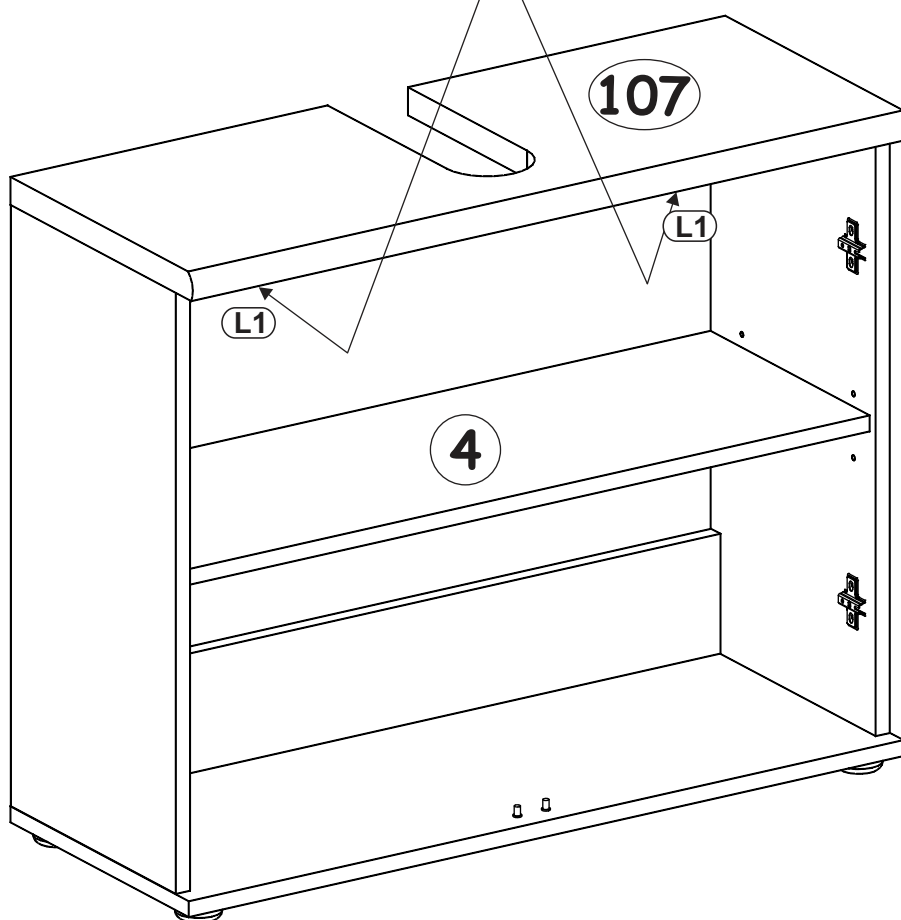
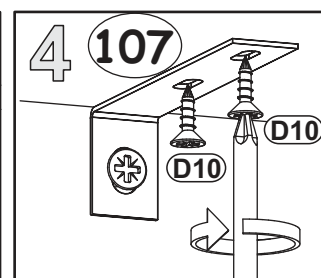
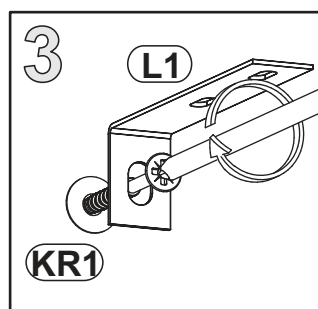
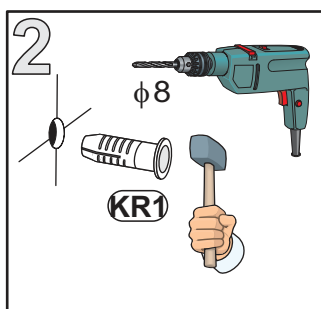
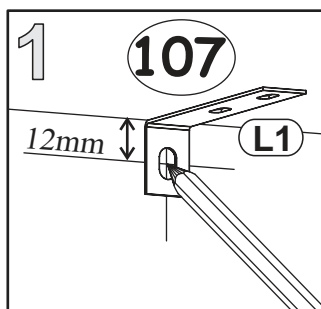
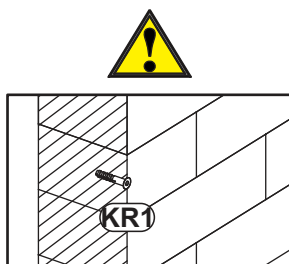
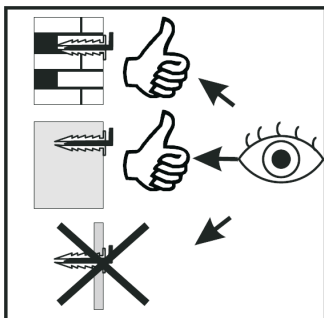
D10



x4

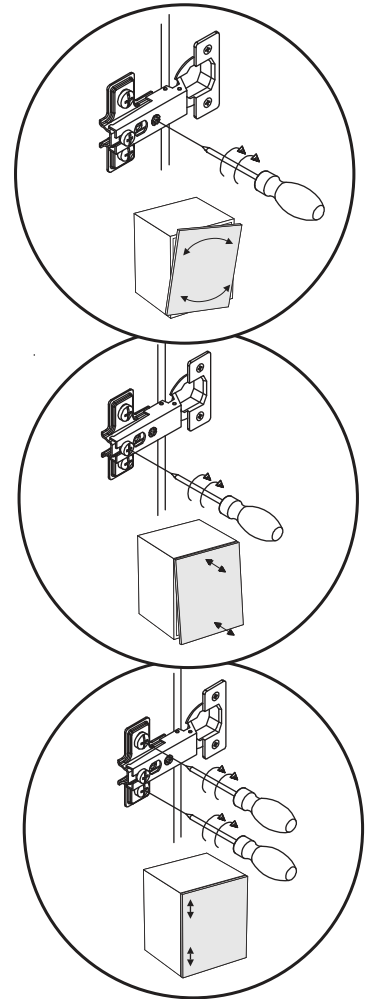
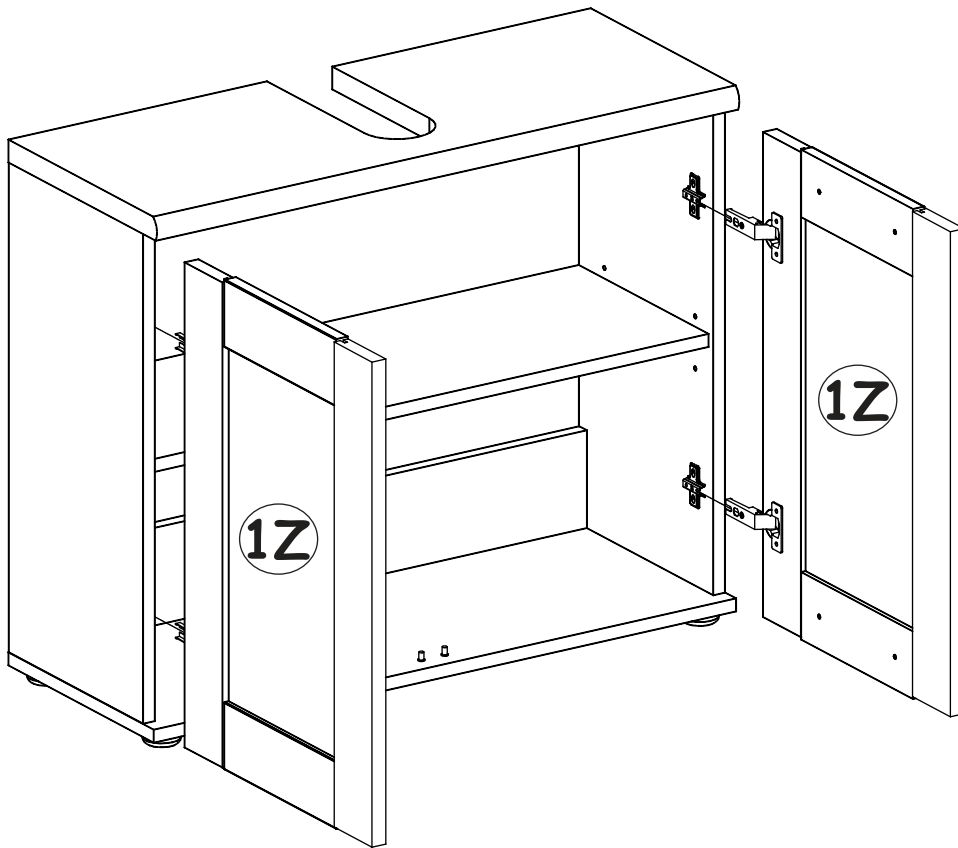
US03,5x13

9

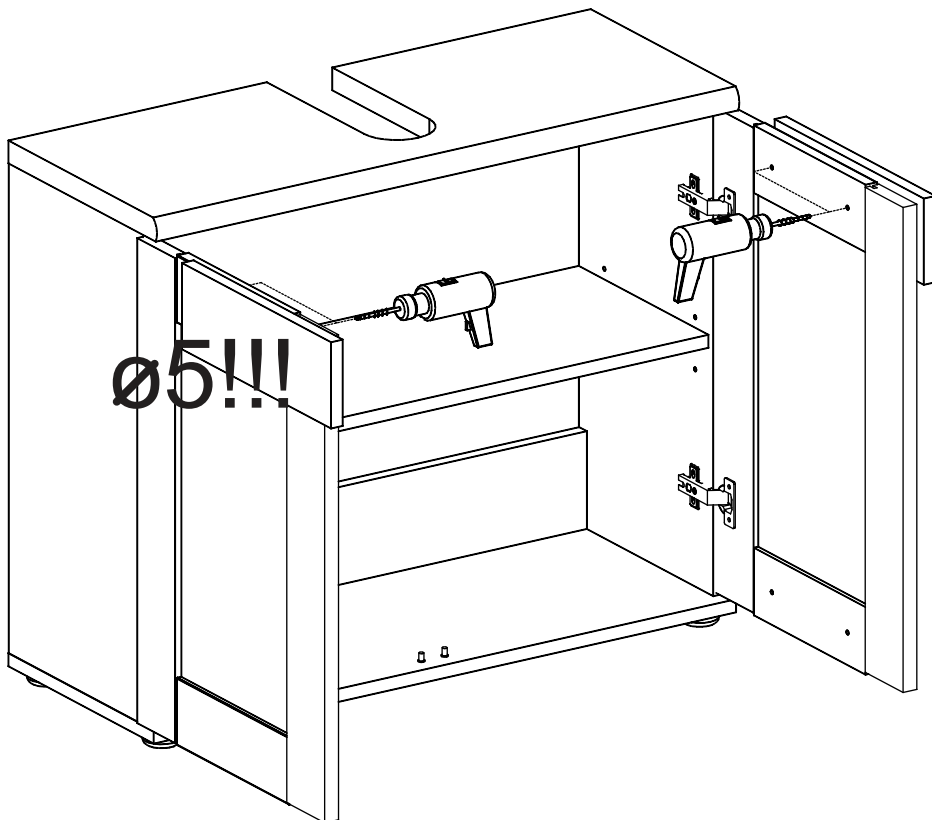




10




11

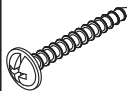



Ø5!!!

Ø5!!!

# 12

CN1	
x2	L=160mm

UP16	
x4	UPØ4x35

G12	
x4	Ø14

