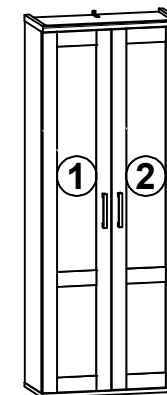
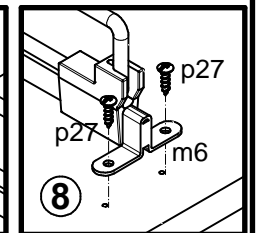
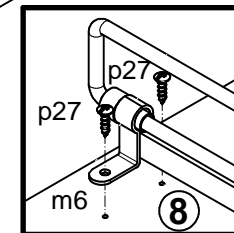
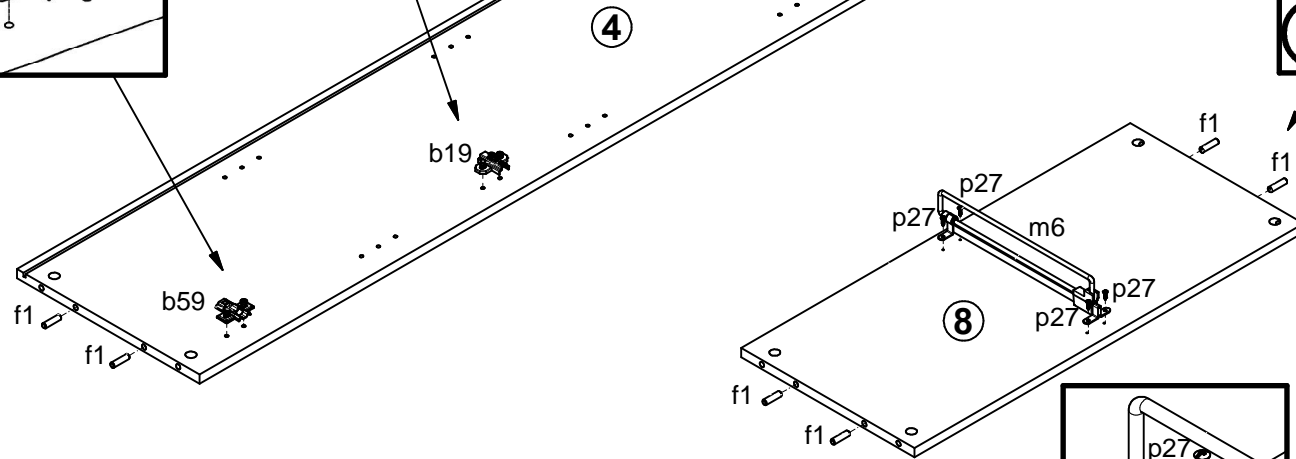
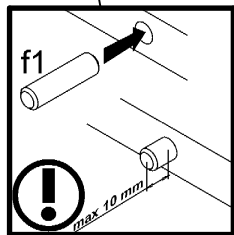
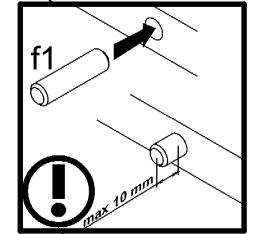
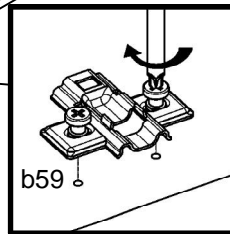
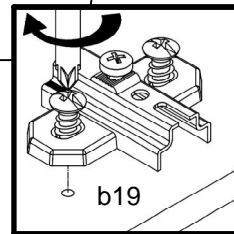
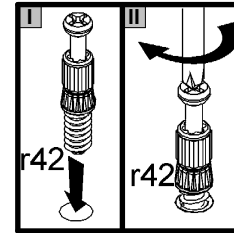
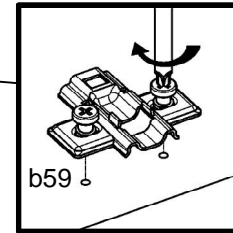
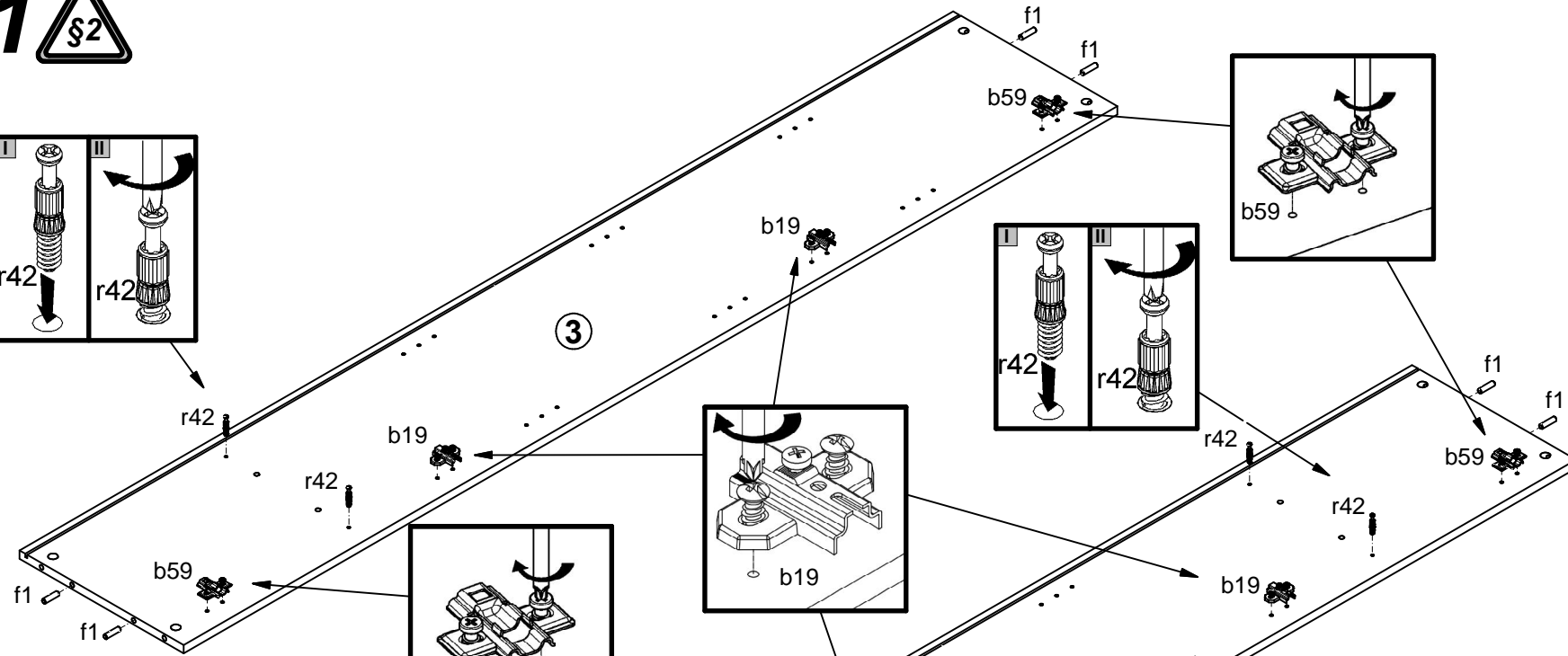
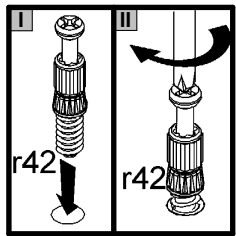


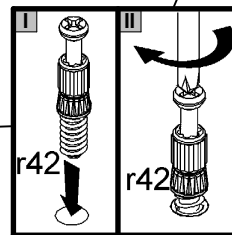
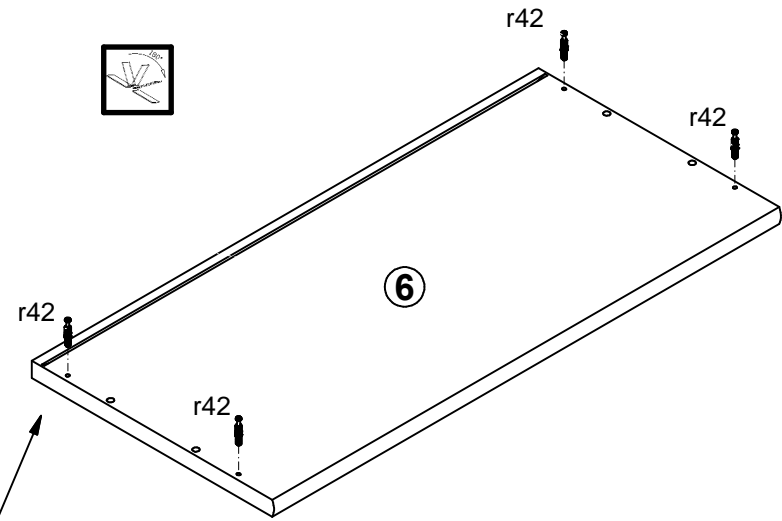
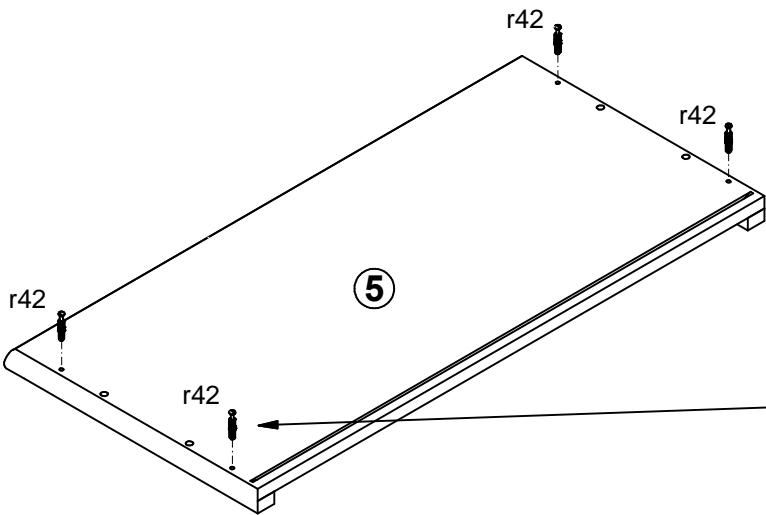
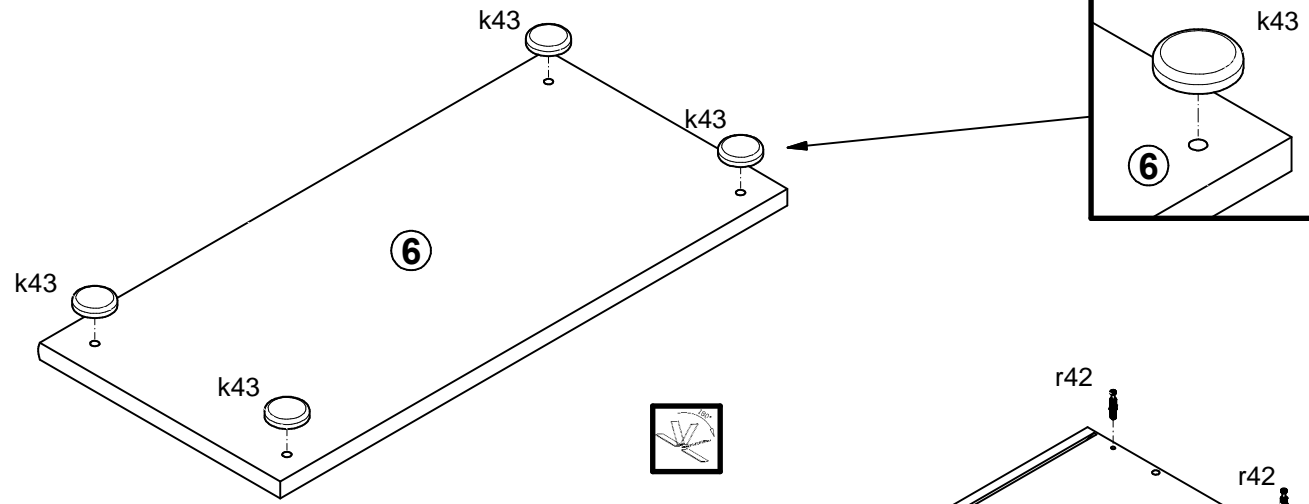
A	B	C (mm)		D
1	S330-008	1940	376	2/2
2	S330-009	1940	376	2/2
3	S330-104	1946	342	1/2
4	S330-105	1946	342	1/2
5	S330-203	760	380	1/2
6	S330-204	760	363	1/2
7	S330-302	728	320	1/2
8	S330-303	729	325	1/2
9	S330-904	1956	739	1/2



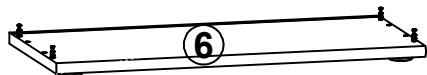
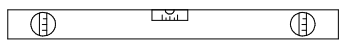
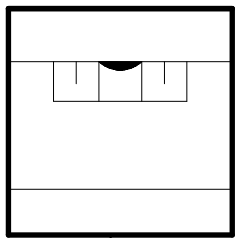
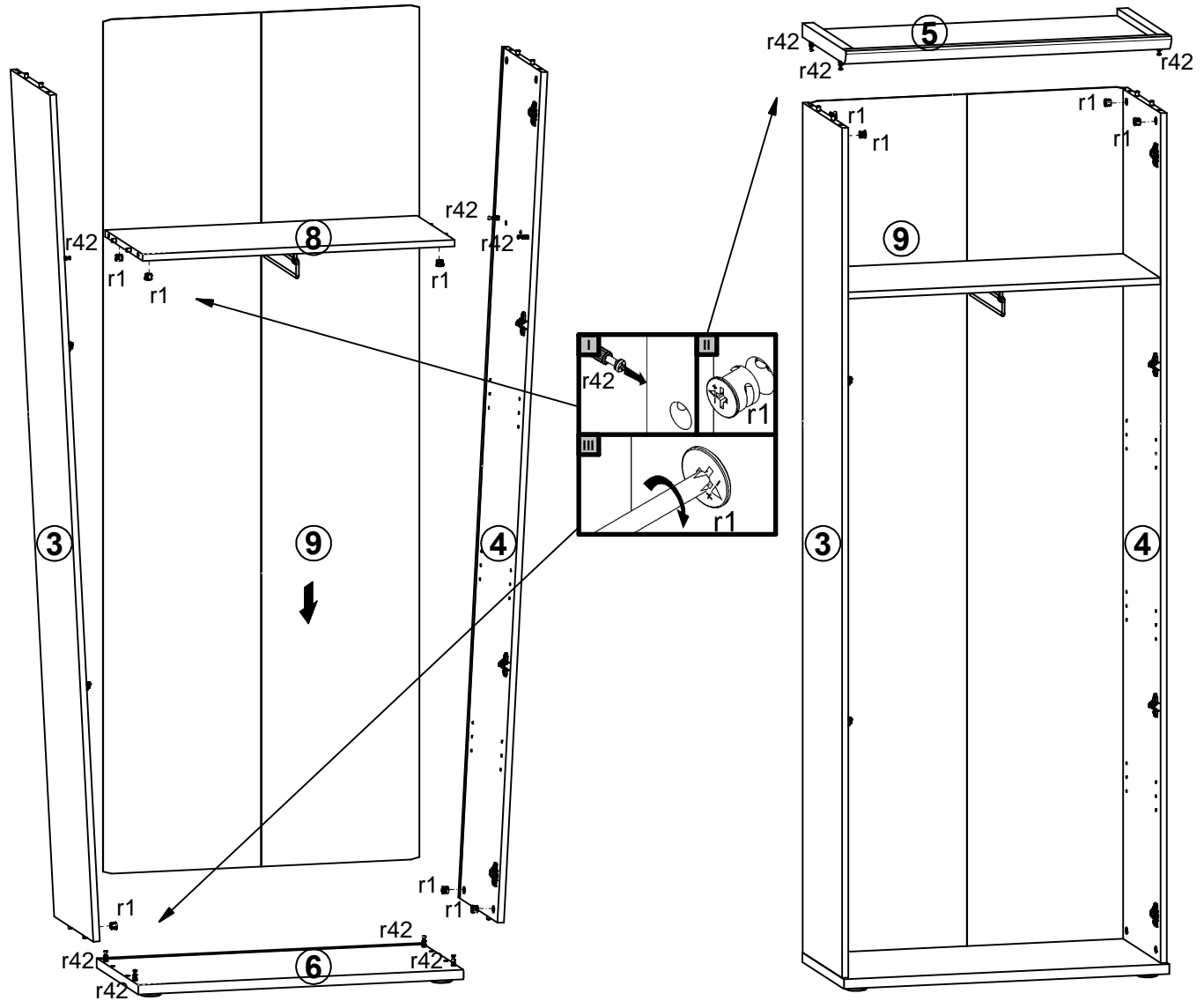
4x a44	4x a102	4x b19	4x b59	cm 0 1 2 3 4 5 6 7 8 9 10	2x c193	12x d1	12x f1	4x k43			
10x l1	12x l2	1x m6	1x n14	2x o21	4x p9	4x p27	2x p38	16x p51	12x r1	12x r42	12x s2



2

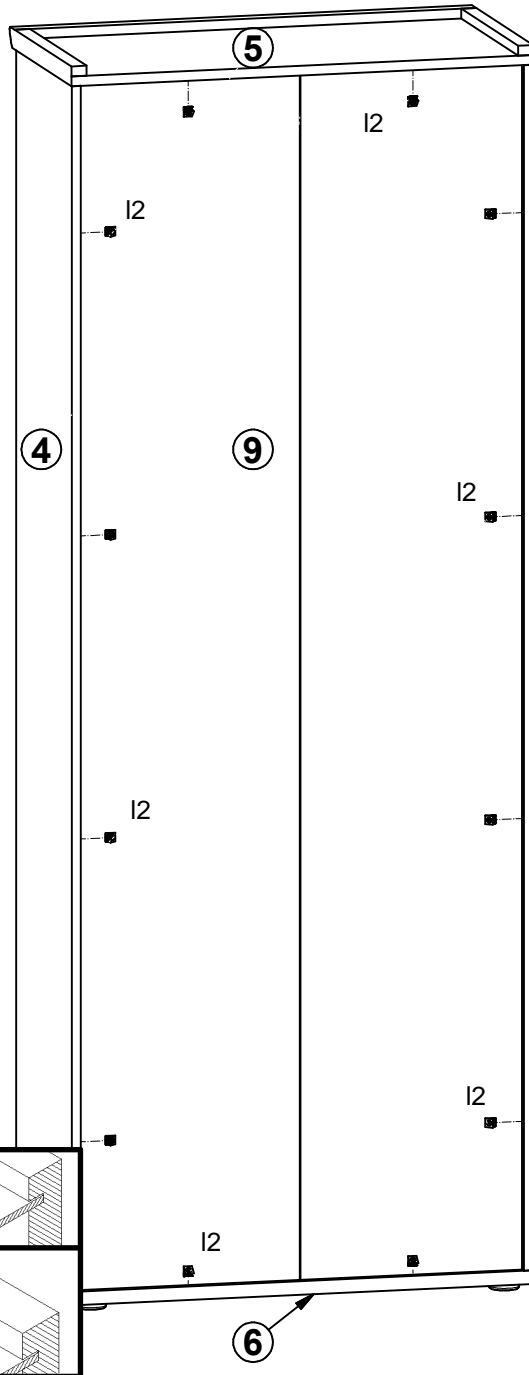


3 §6

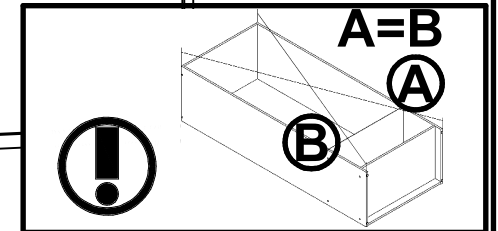
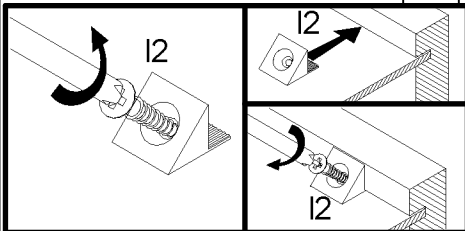
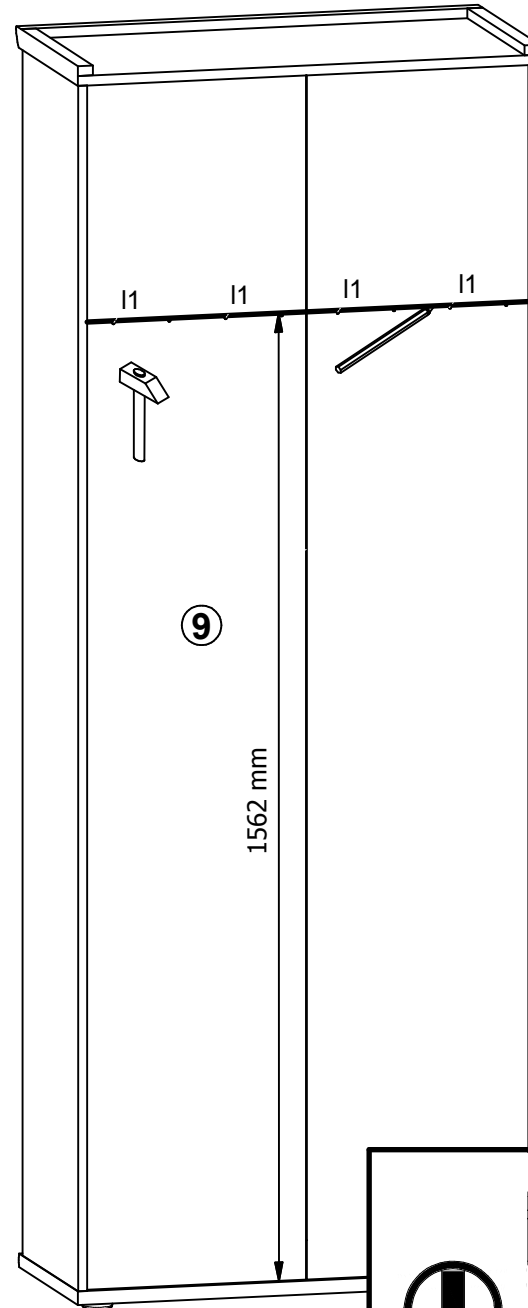


4

I



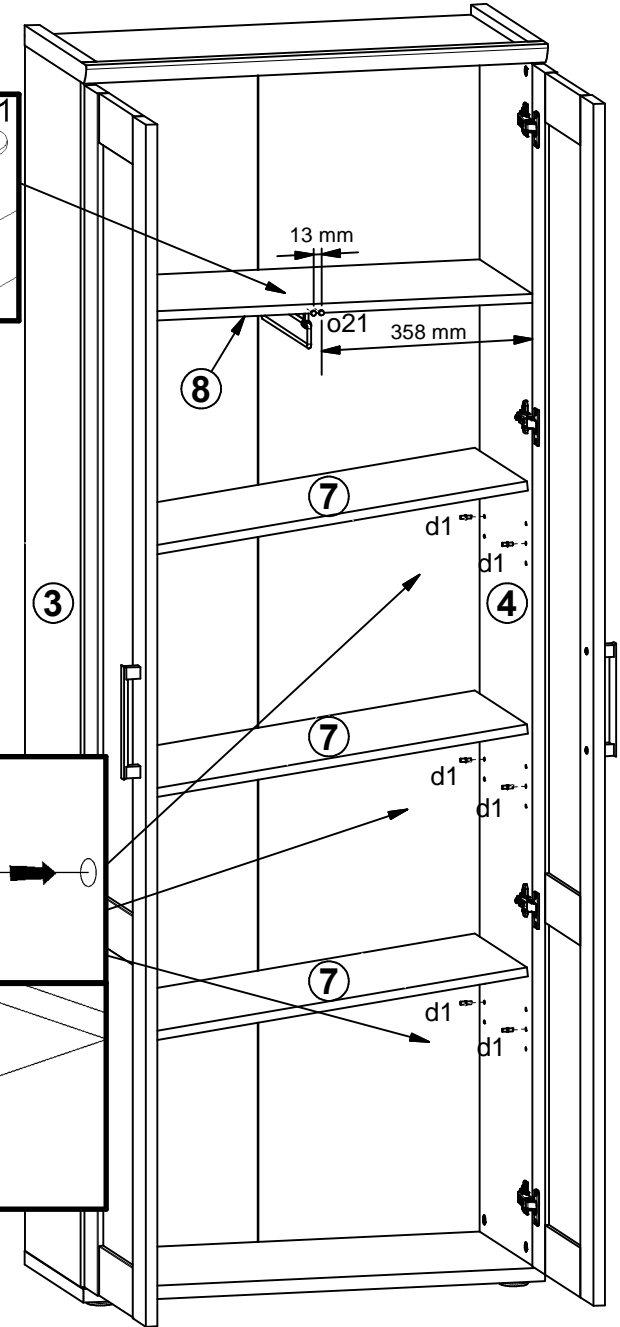
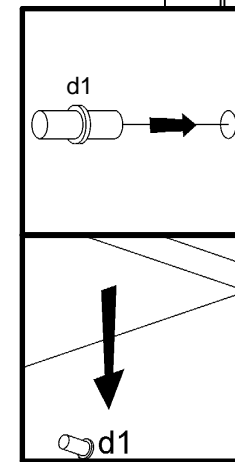
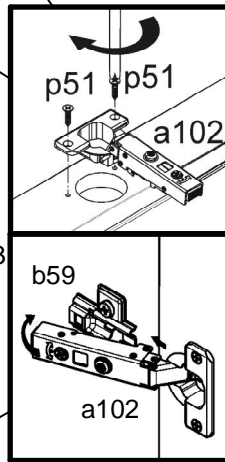
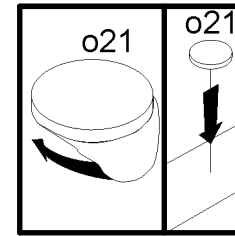
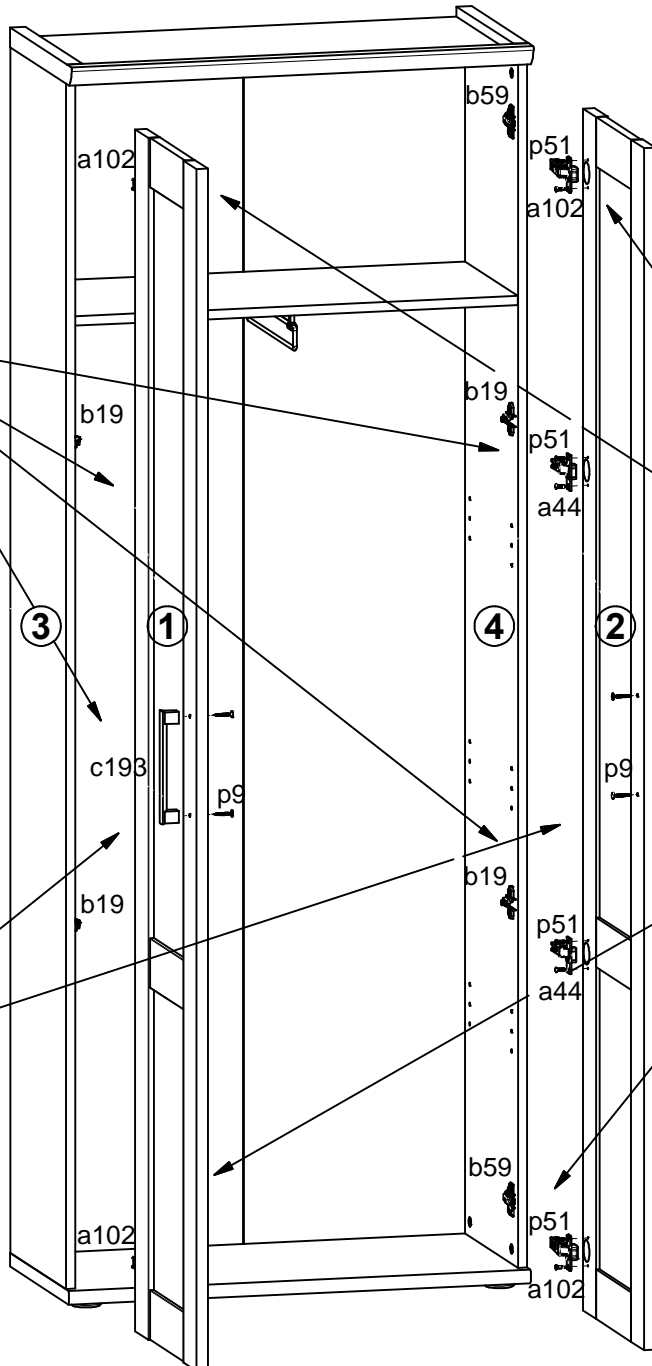
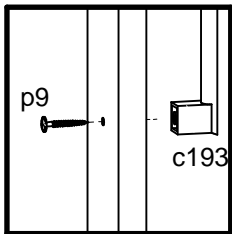
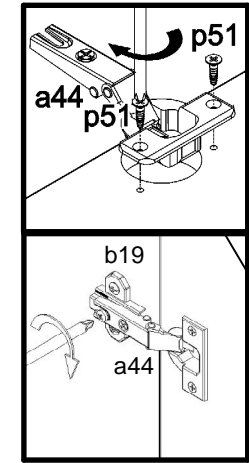
II



5

I

II



6

