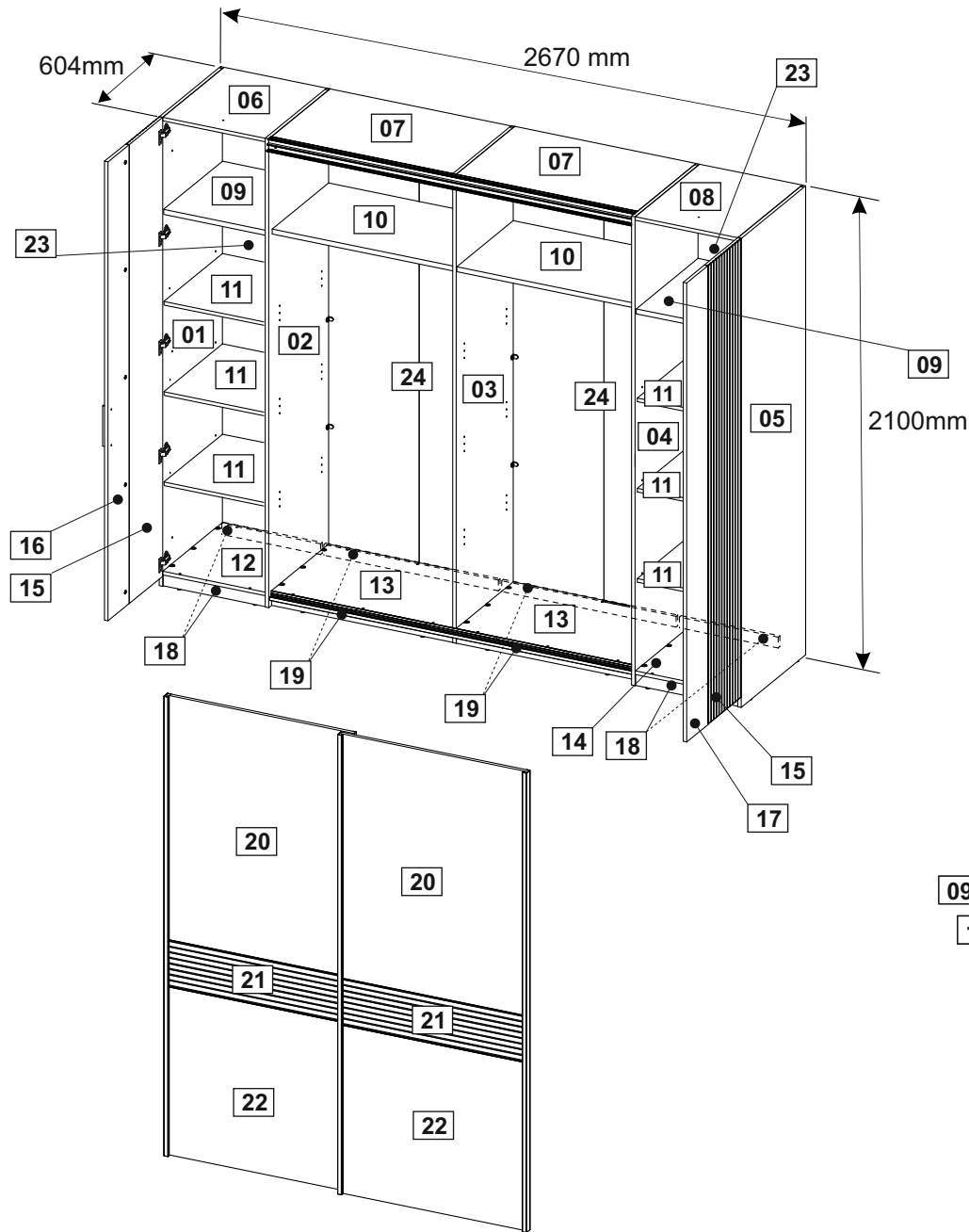
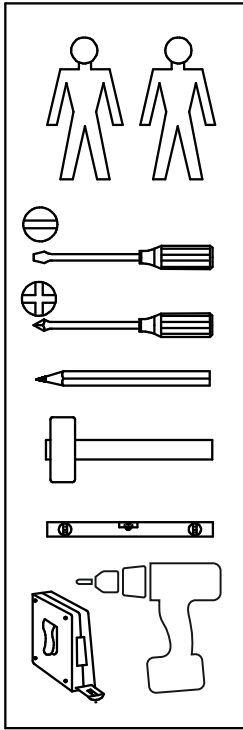


# Daria

58-468-...

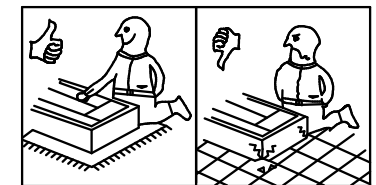


01	7027691	2095x560x16	x1	6/9
02	7027681	2095x560x16	x1	4/9
03	7027682	2095x535x16	x1	4/9
04	7027673	2095x588x16	x1	2/9
05	7027690	2095x588x16	x1	6/9
06	7027705	468x559x16	x1	9/9
07	7027698	827x535x16	x2	8/9
08	7027707	468x587x16	x1	9/9
09	7027696	468x536x22	x2	8,9/9
10	7027672	827x516x22	x2	2/9
11	7027697	468x536x16	x6	8/9
12	7027706	468x559x16	x1	9/9
13	7027703	827x535x16	x2	9/9
14	7027704	468x587x16	x1	9/9
15	3020852	2050x305x16	x2	3/9
16	7027678	2050x193x16	x1	3/9
17	7027677	2050x193x16	x1	3/9
18	7027702	468x50x16	x4	9/9
19	7027701	827x50x16	x4	9/9
20	7027685	1091x860x16	x2	5,7/9
21	3020853	860x209x16	x2	7/9
22	7027686	750x860x16	x2	5,7/9
23	7027689	2023x478x3	x2	6/9
24	7027674	2023x836x3	x2	2,4/9

150 min




09 10 max.  
11 5 kg  
(11 lbs)

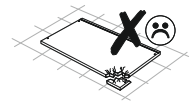
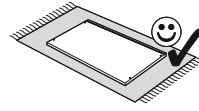


C 1/9

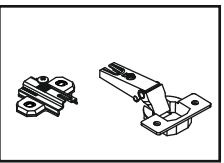
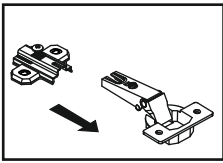
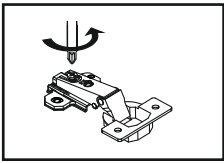
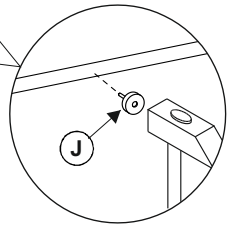
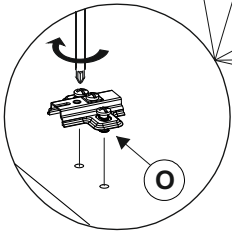
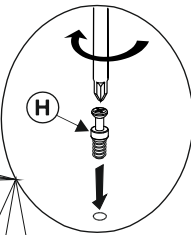
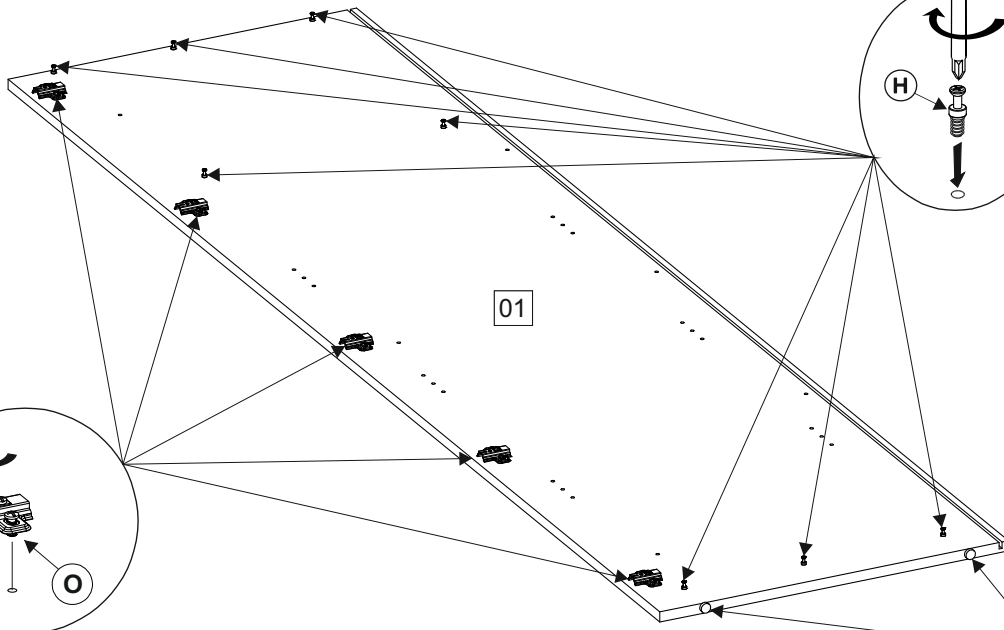


12x 8x60 mm <b>A</b>	4x 3.5x13 mm <b>B</b>	24x <b>C</b>	24x 6.3x9.5 mm <b>D</b>	20x 7x50 mm <b>E</b>	1x <b>F</b>	34x 3.5x16 mm <b>G</b>	64x <b>H</b>
2x <b>I</b>	26x <b>J</b>	64x <b>K</b>	76x 3.5x13 mm <b>L</b>	4x <b>M</b>	1x <b>N</b>	10x <b>O</b>	10x <b>P</b>
1x <b>Q</b>	8x <b>R</b>	2x <b>S</b>	4x 4x27 mm <b>T</b>	10x <b>U</b>	10x 15x12 mm <b>V</b>		
2x M10x24 <b>Y</b>		2x <b>Z</b>	8x 4x16 mm <b>AB</b>	24x <b>AC</b>	10x <b>AD</b>		
1x <b>AA</b>	1x <b>AC</b>	2x <b>AJ</b>	1x <b>AK</b>				
1x <b>AL</b>	2x <b>AM</b>	1x <b>AN</b>	1x <b>AO</b>	2x <b>AP</b>	24x 6.3x13 mm <b>AQ</b>	3x <b>AX</b>	2x <b>AZ</b>
3x <b>AT</b>							
1x <b>AU</b>							
3x <b>AW</b>							

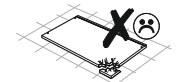
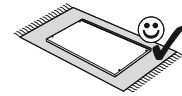
- 8x H 
- 2x J 
- 5x O 



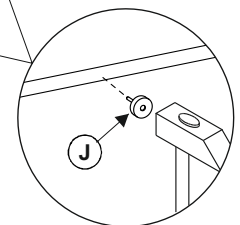
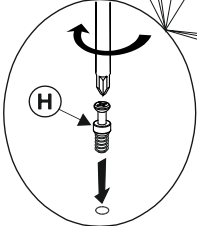
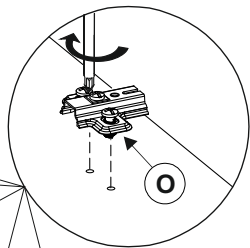
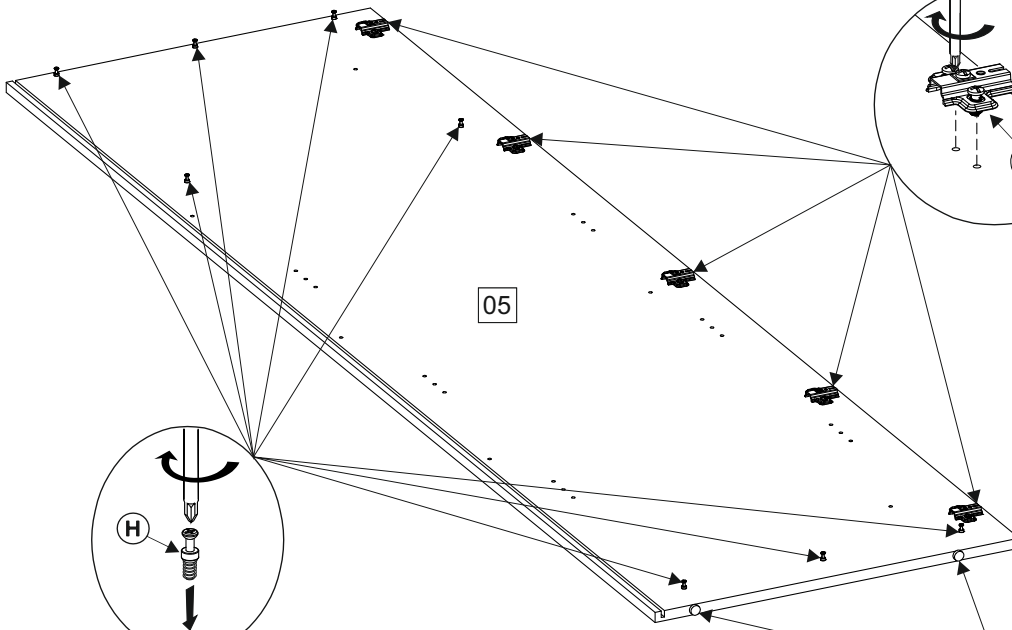
1





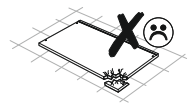
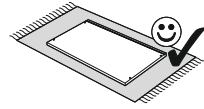
- 8x H 
- 2x J 
- 5x O 



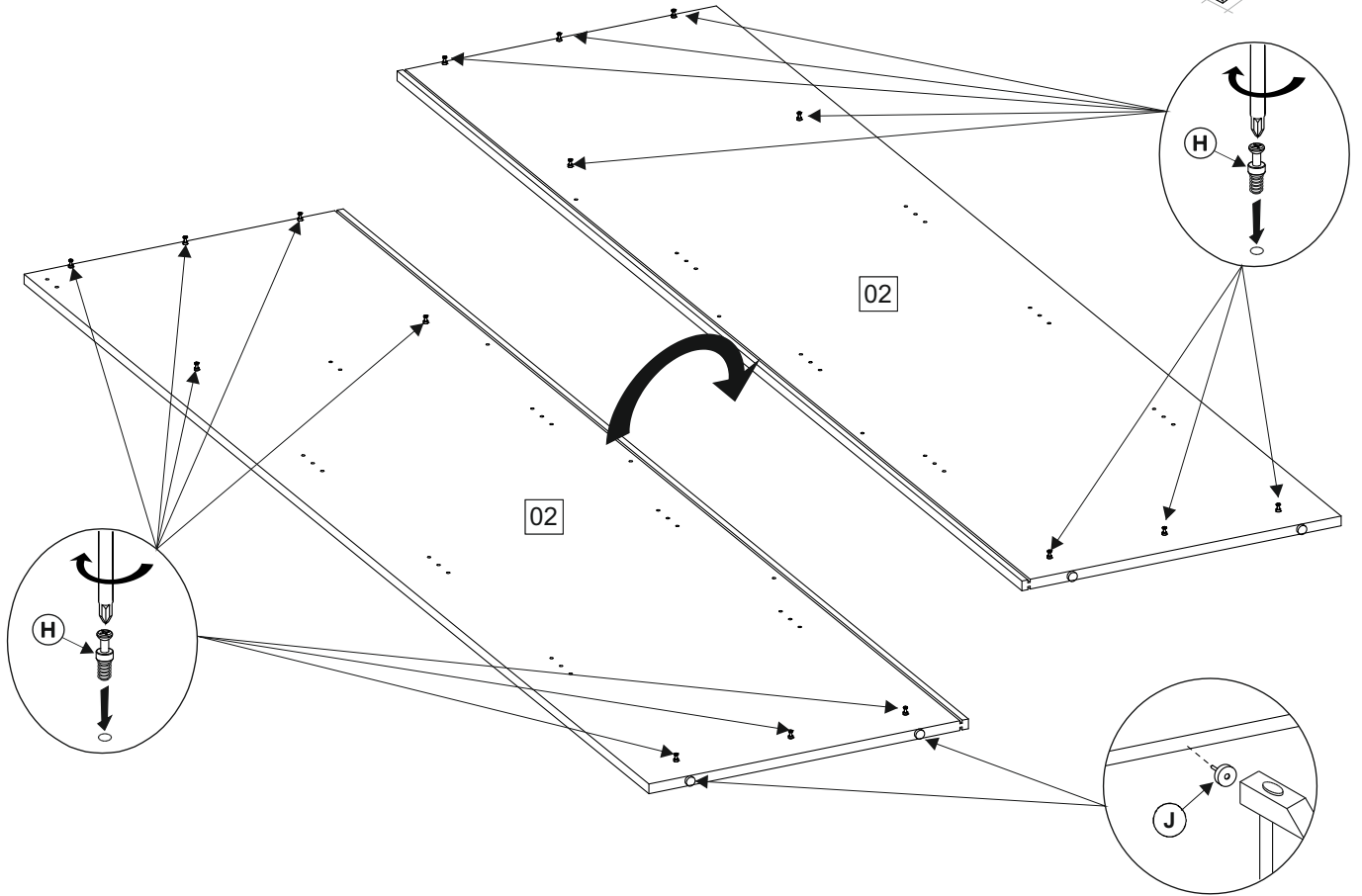
2





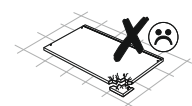
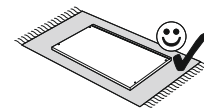
- 16x  H
- 2x  J



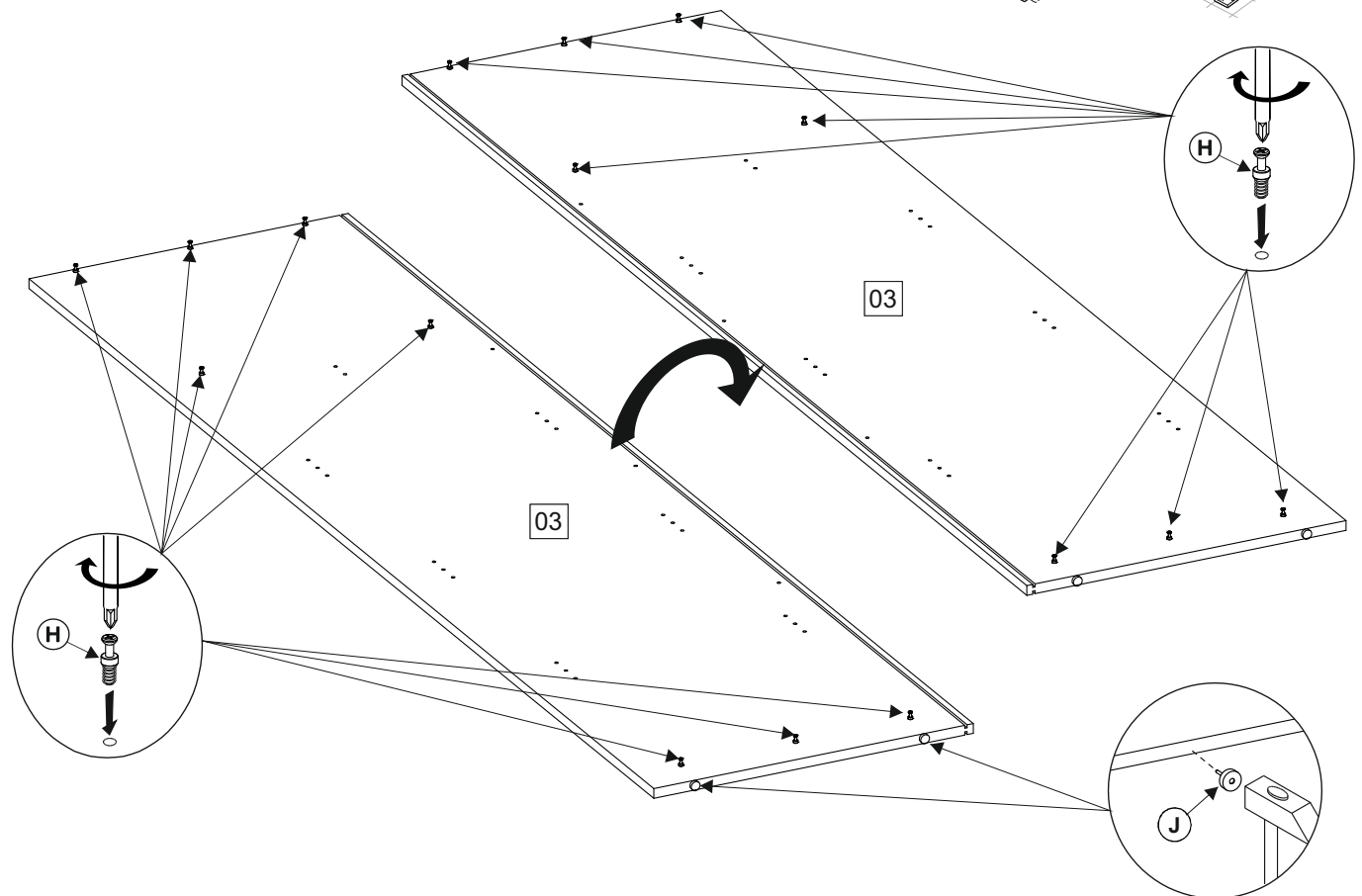
3





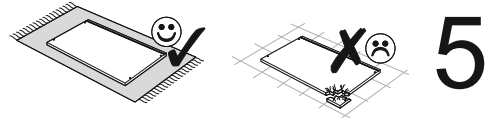
- 16x  H
- 2x  J



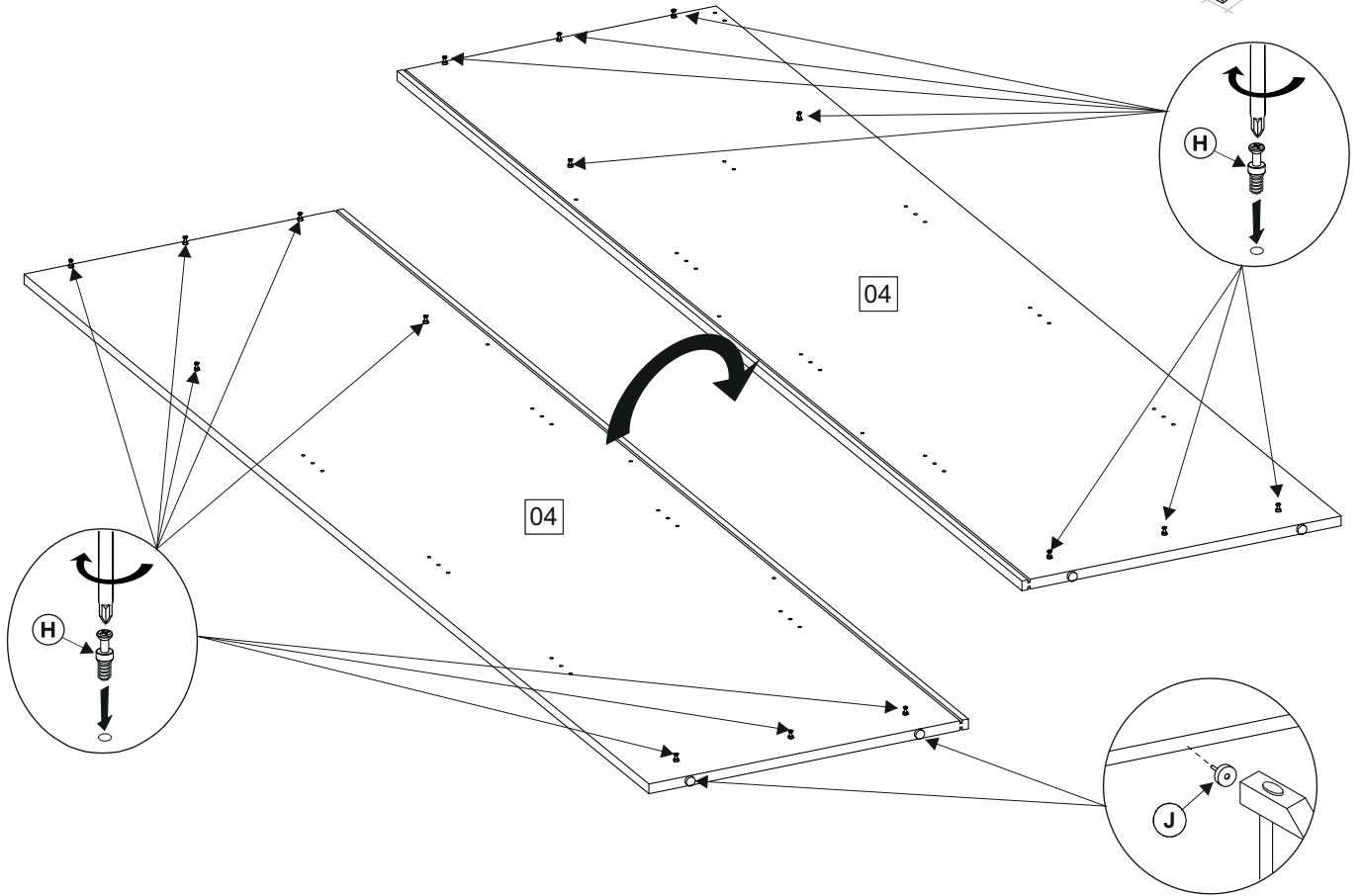
4



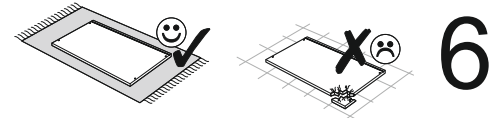
- 16x  H
- 2x  J



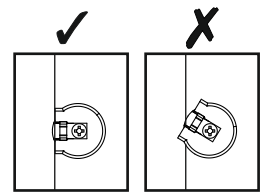
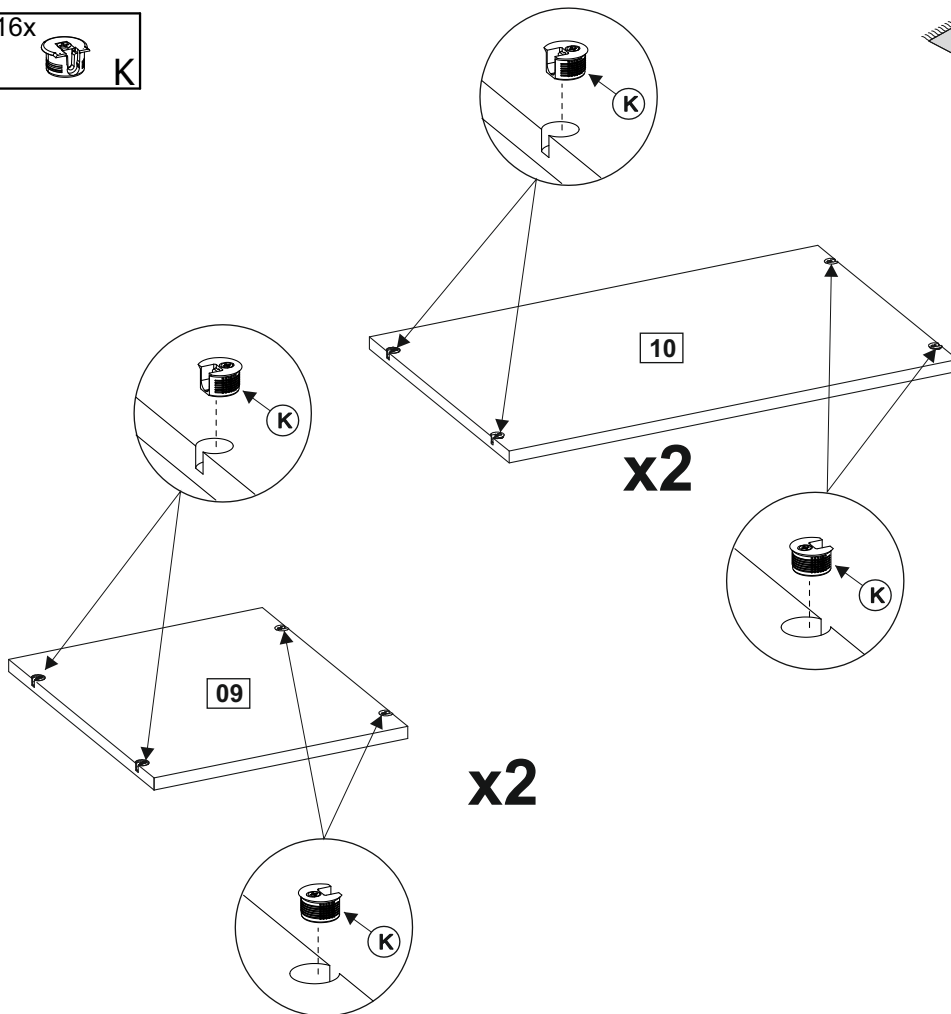
5



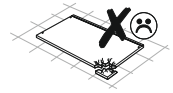
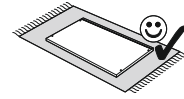
- 16x  K



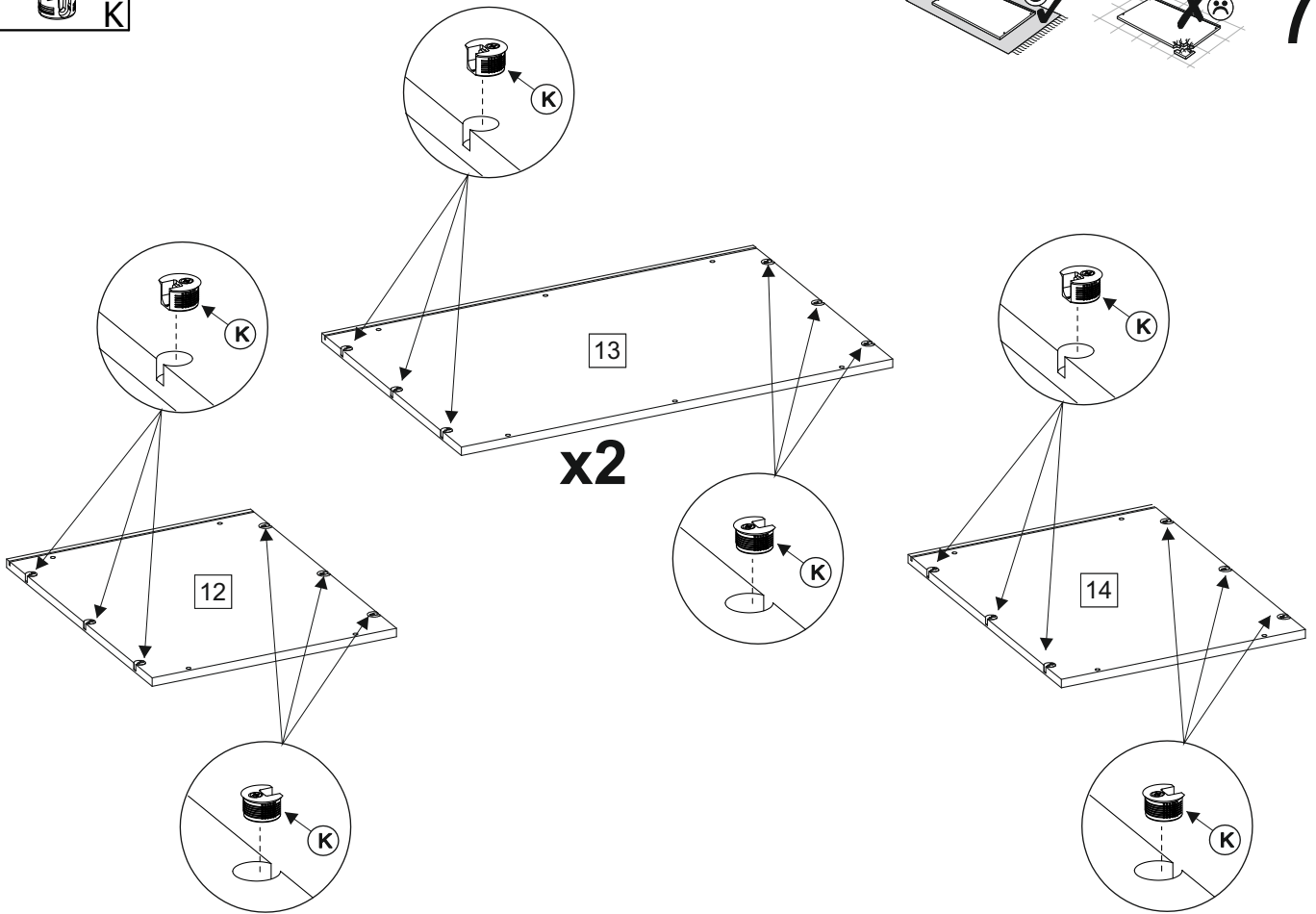
6



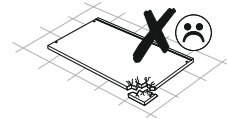
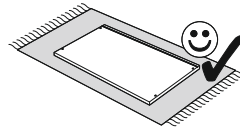
24x  K



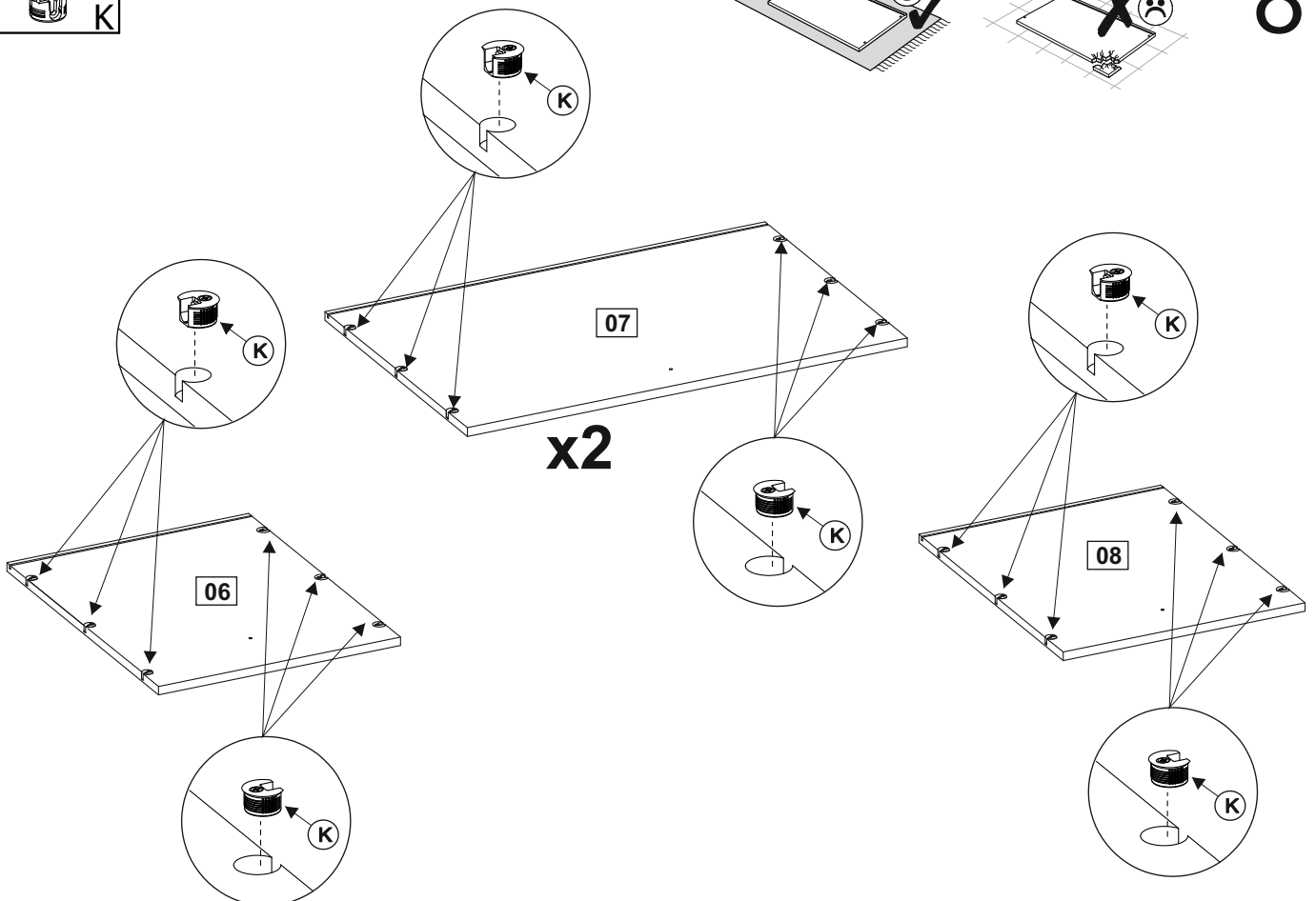
7

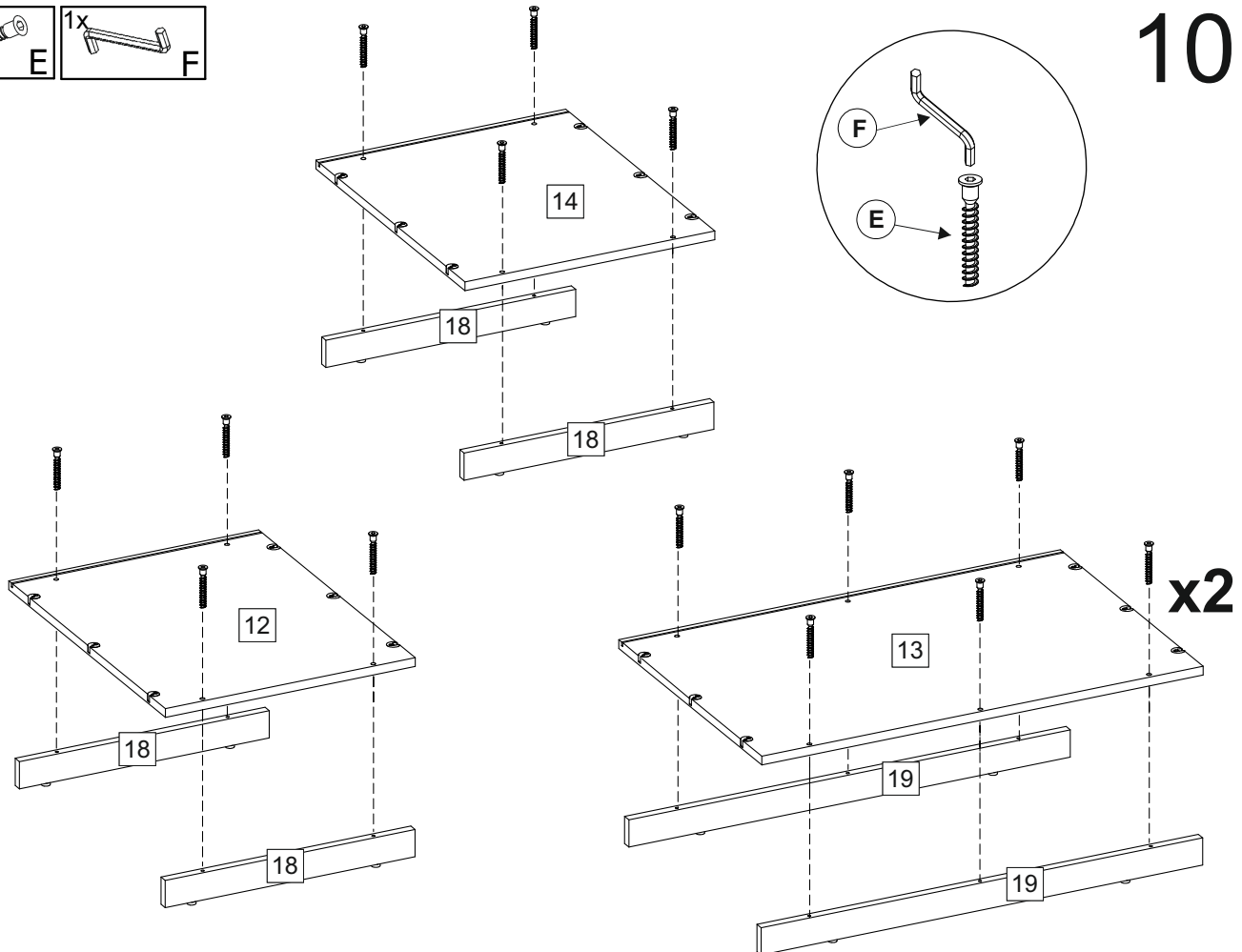
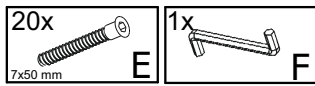
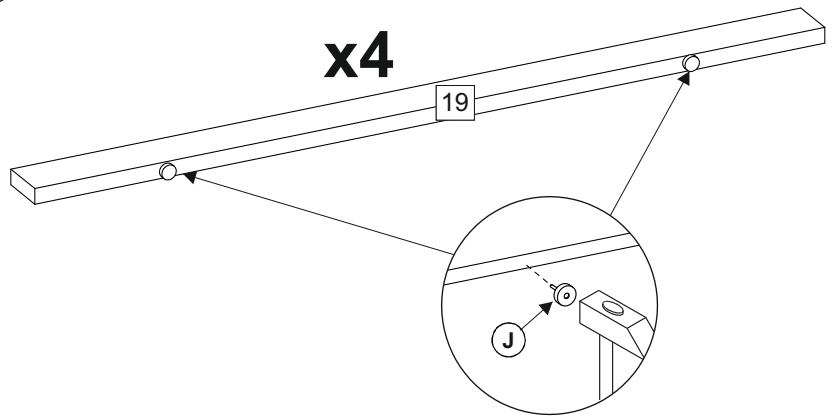
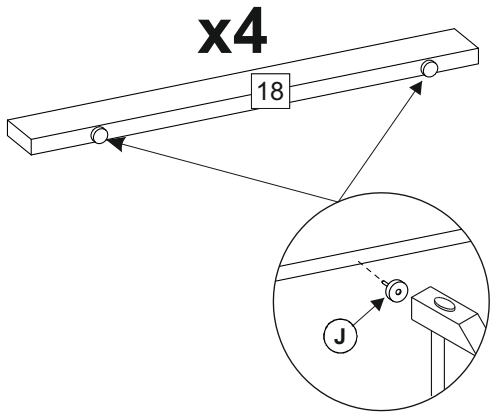
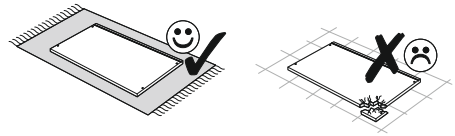
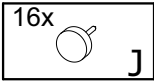


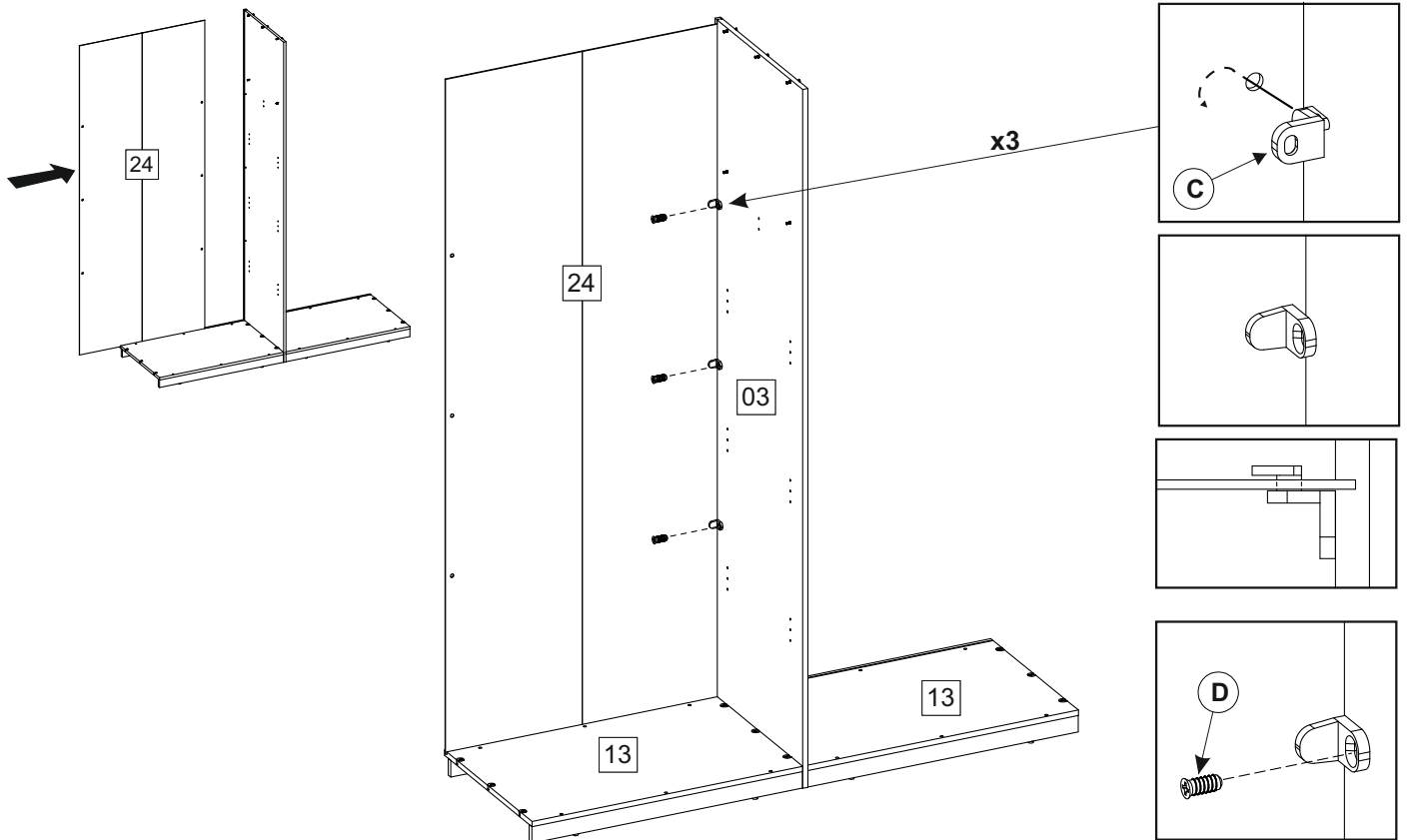
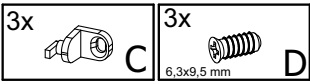
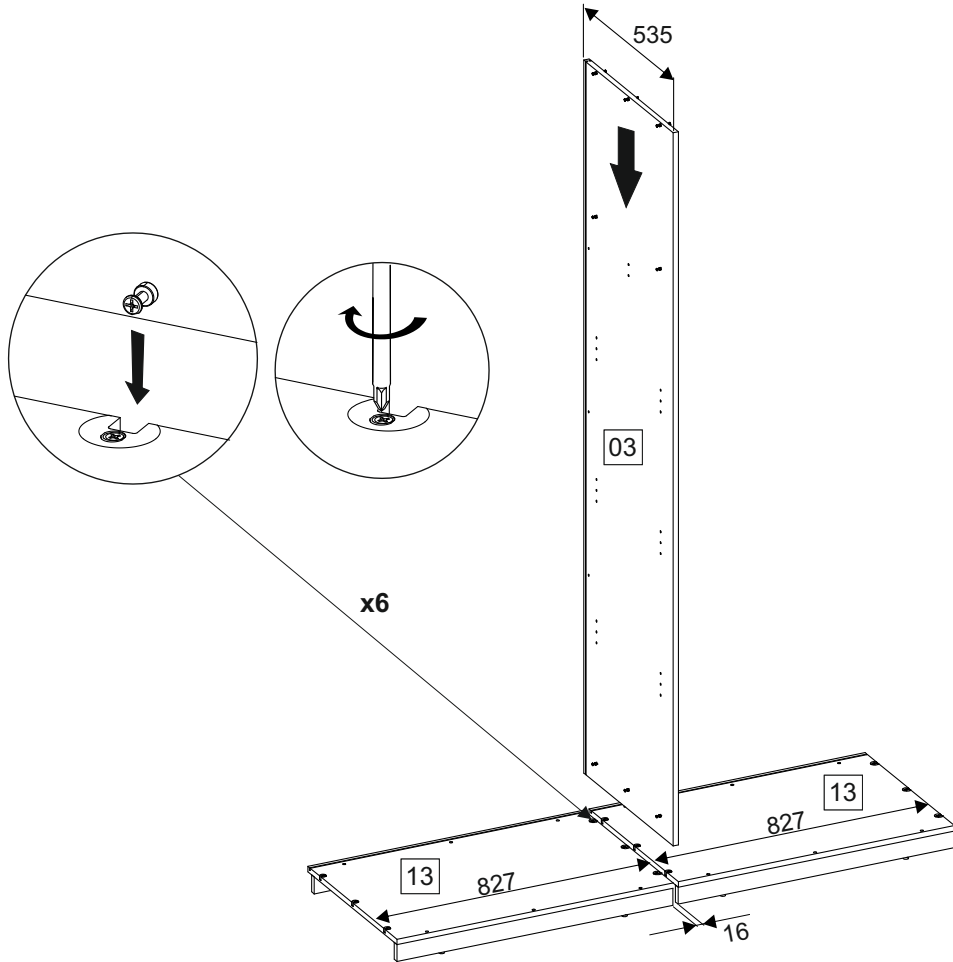
24x  K



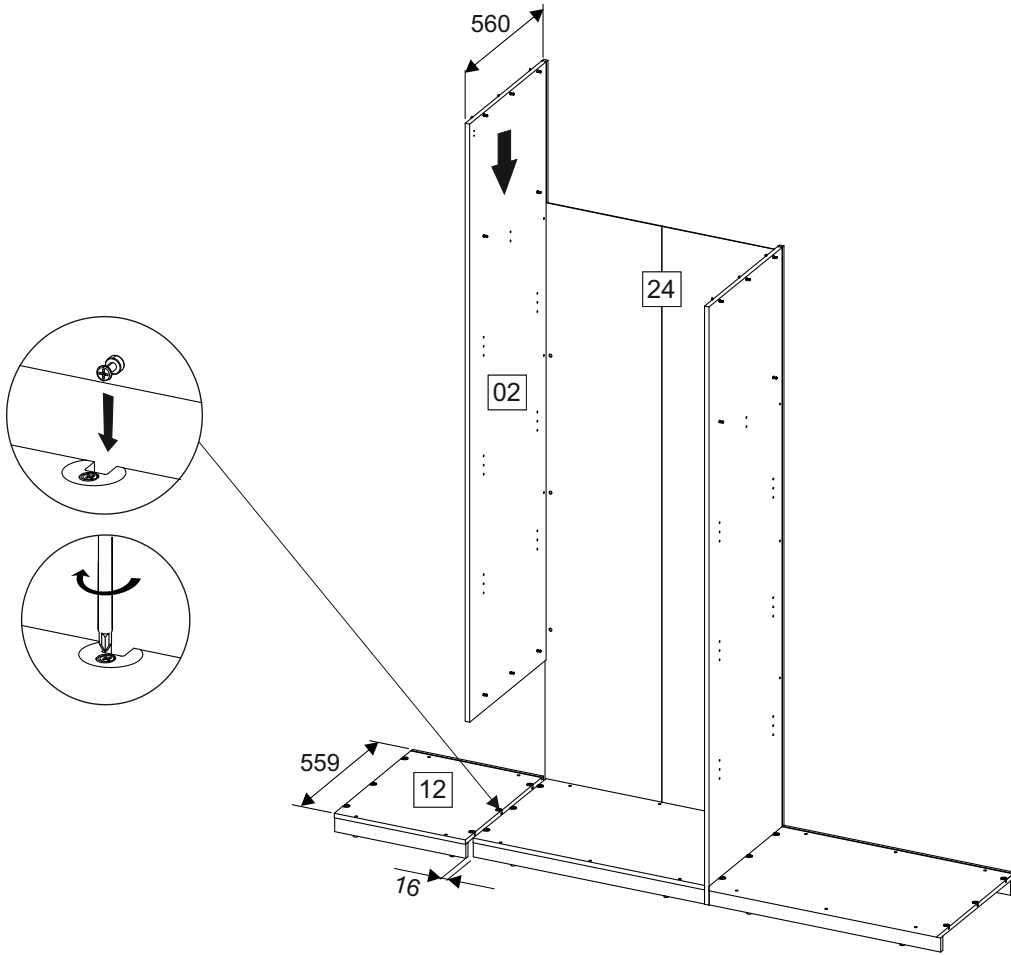
8





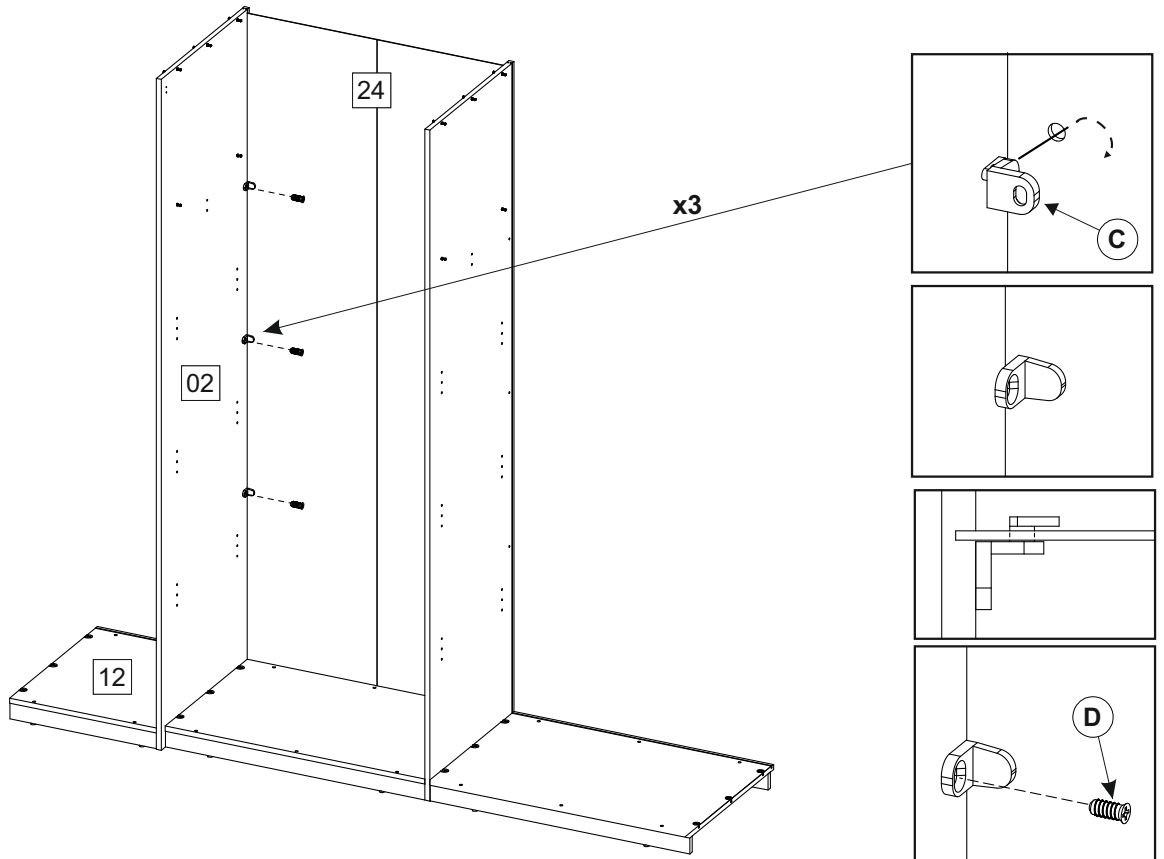


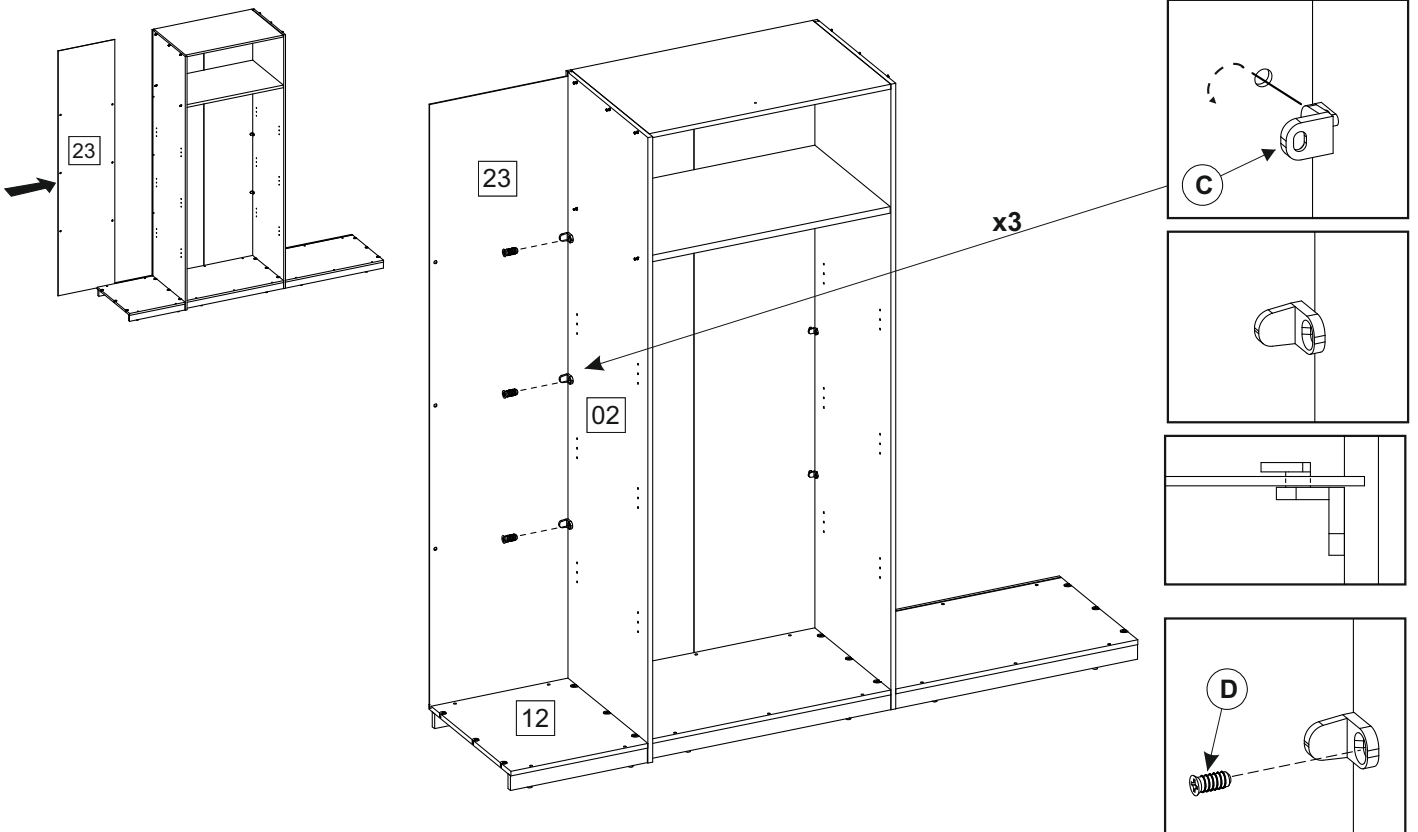
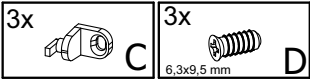
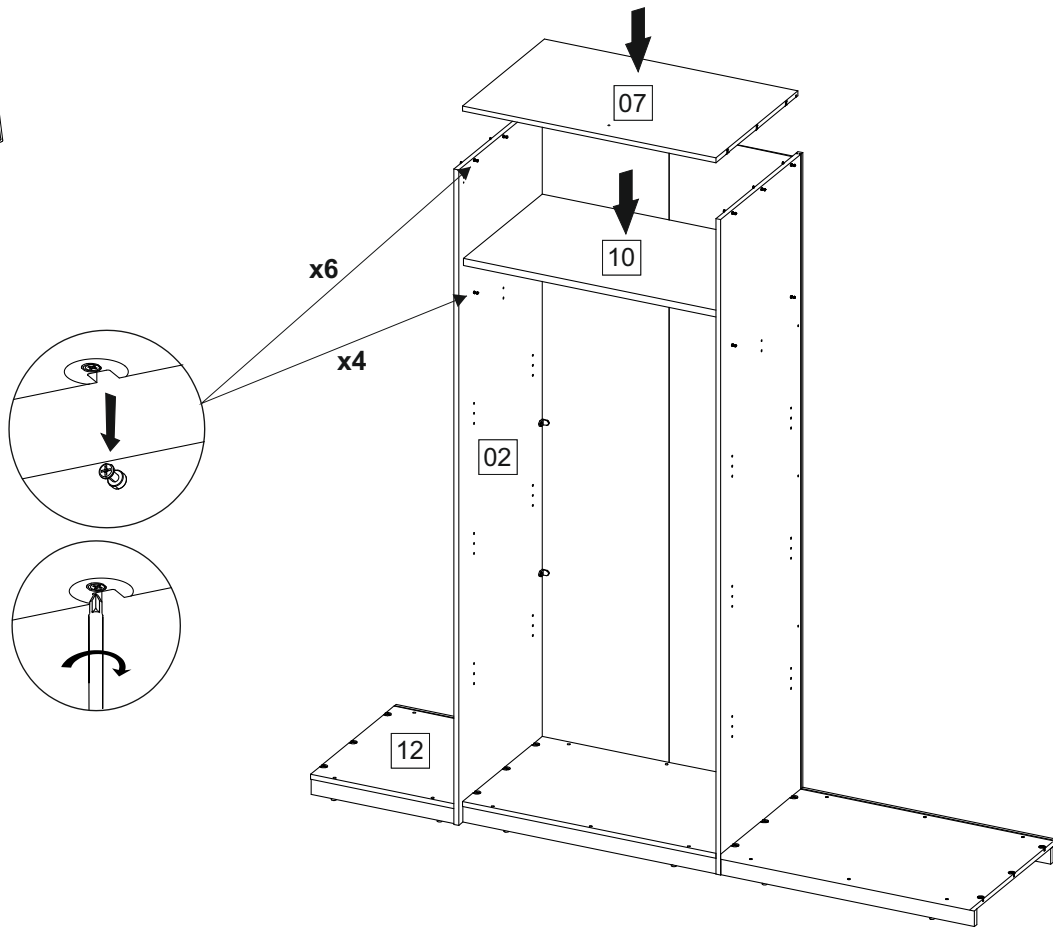
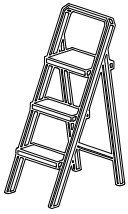


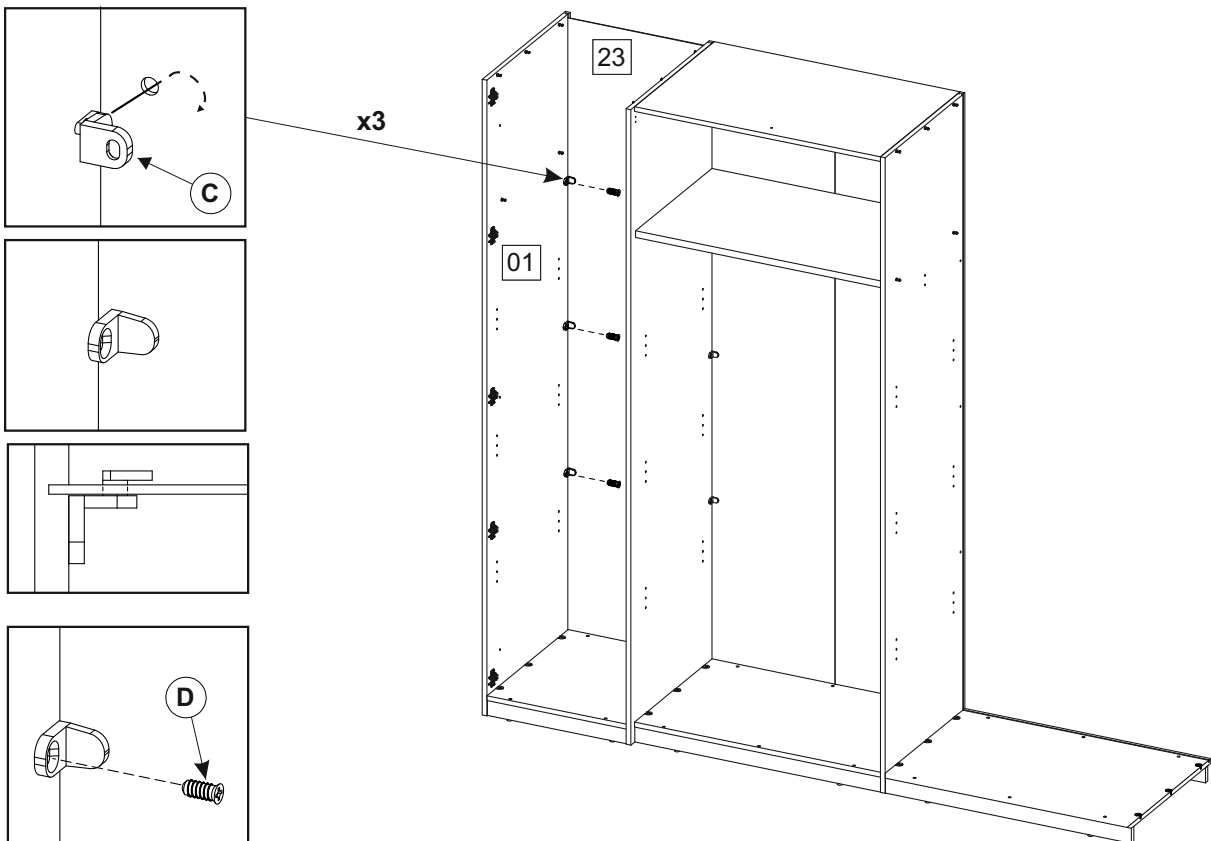
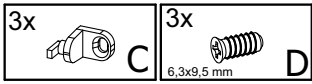
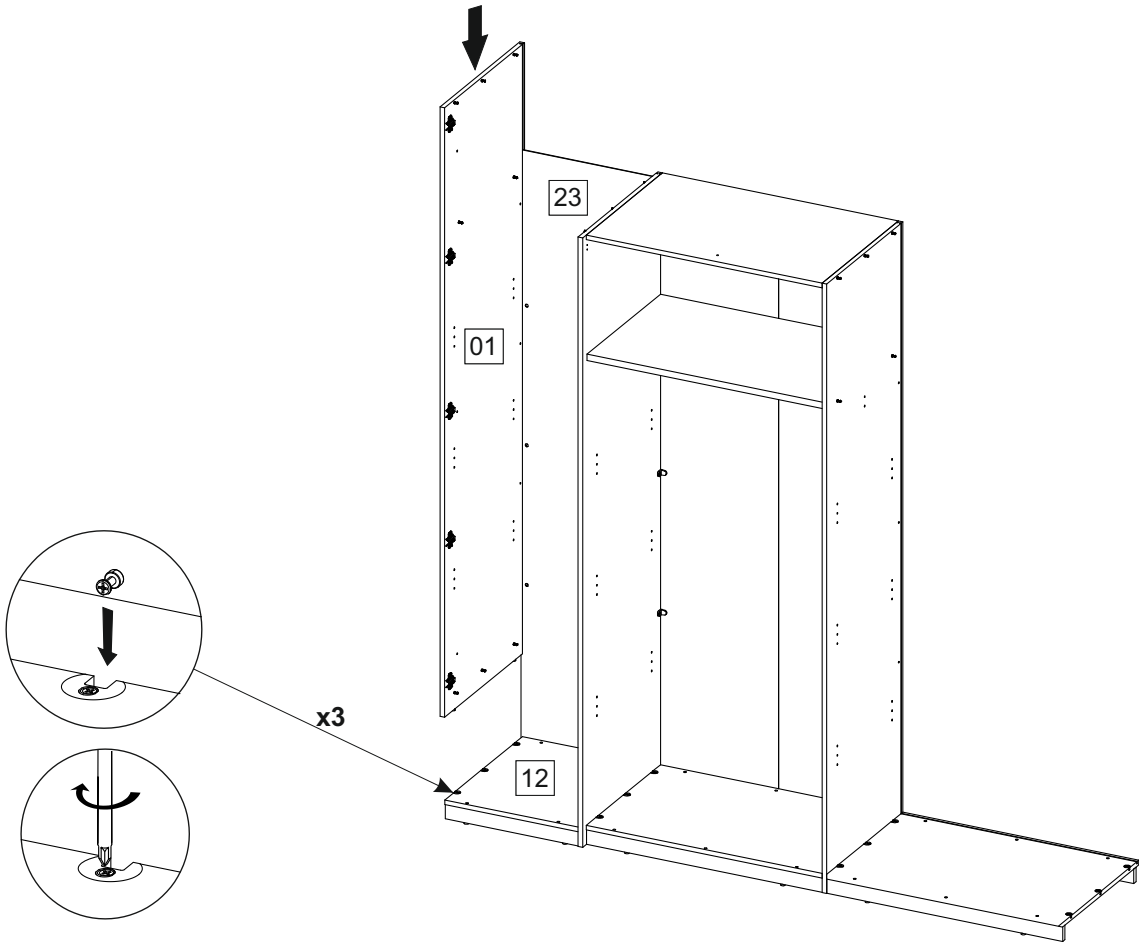


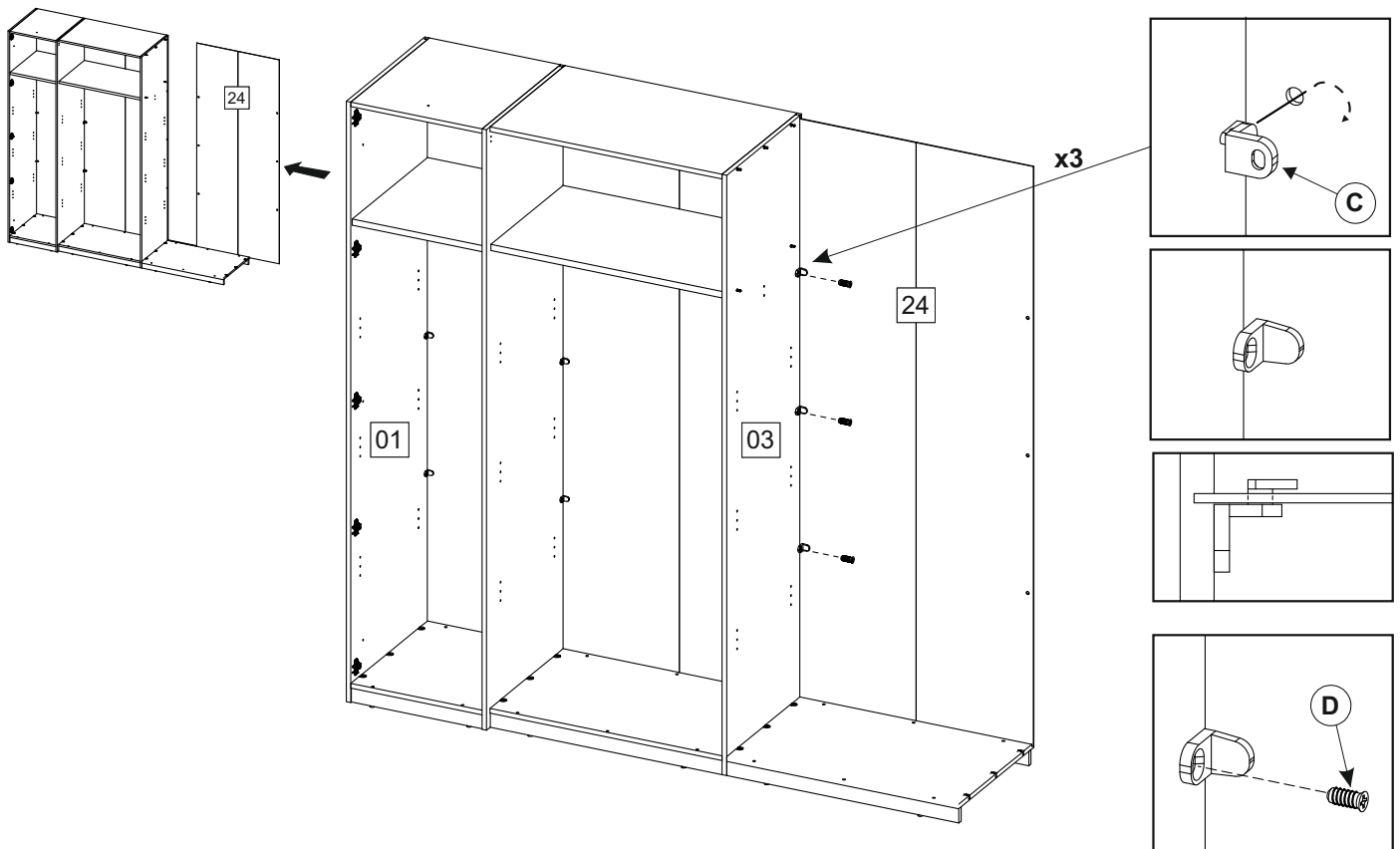
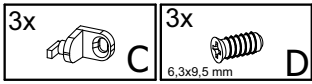
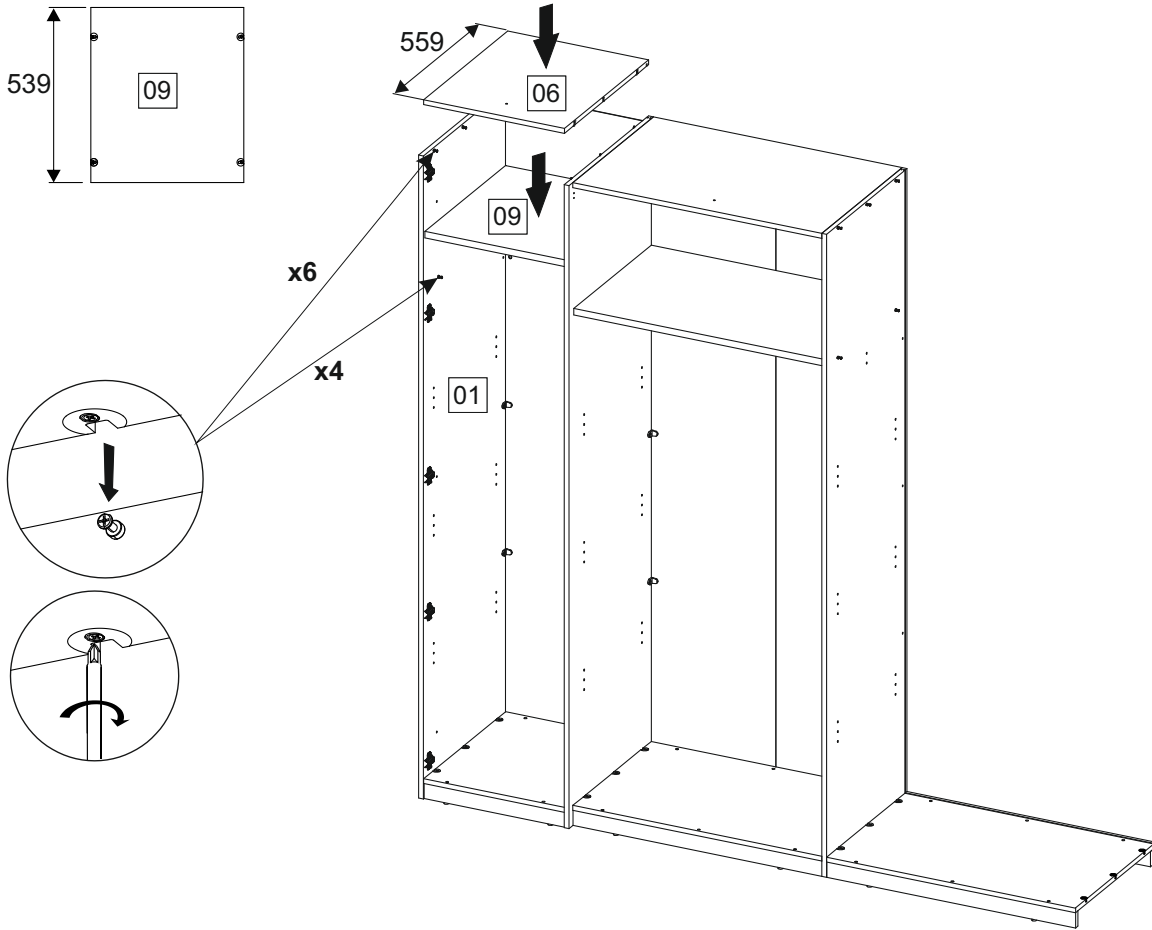


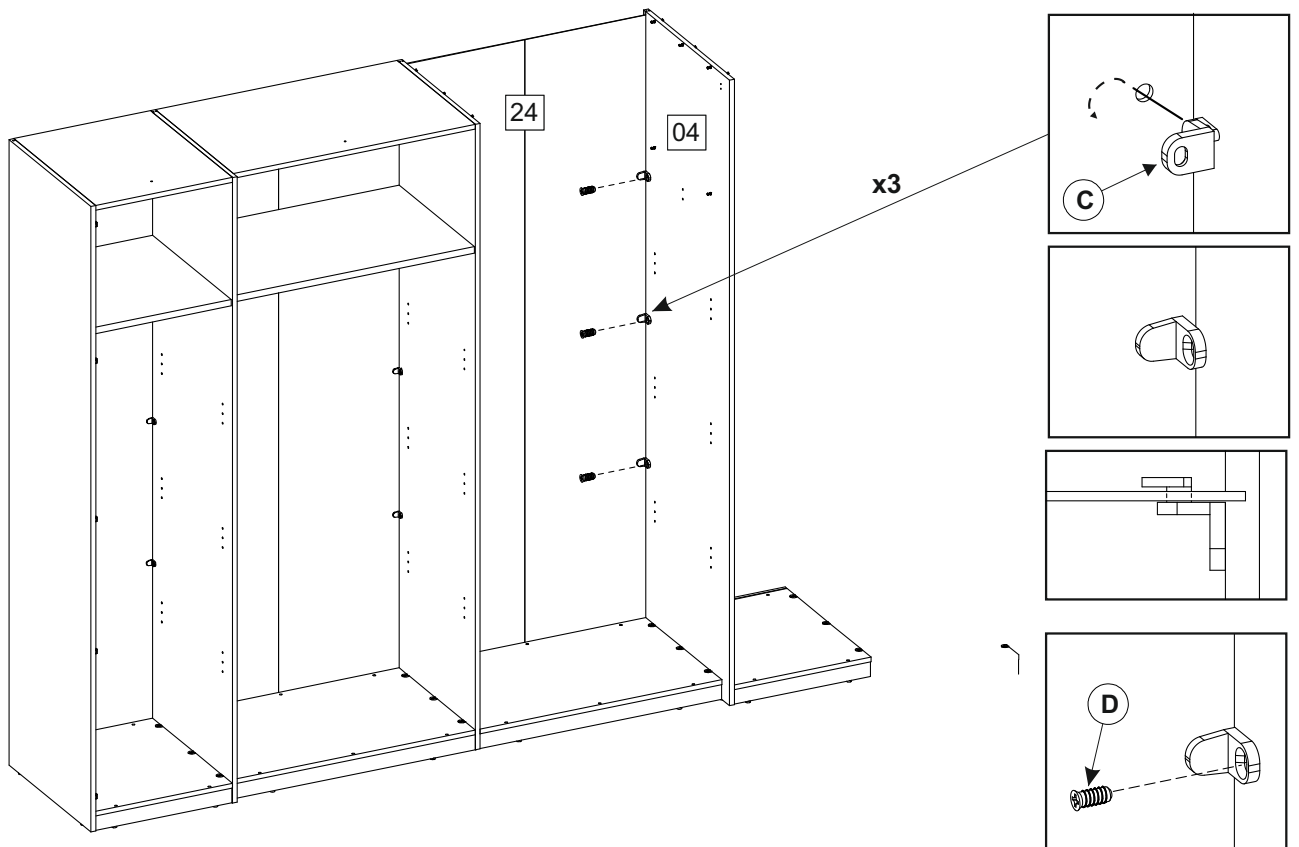
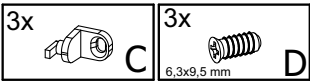
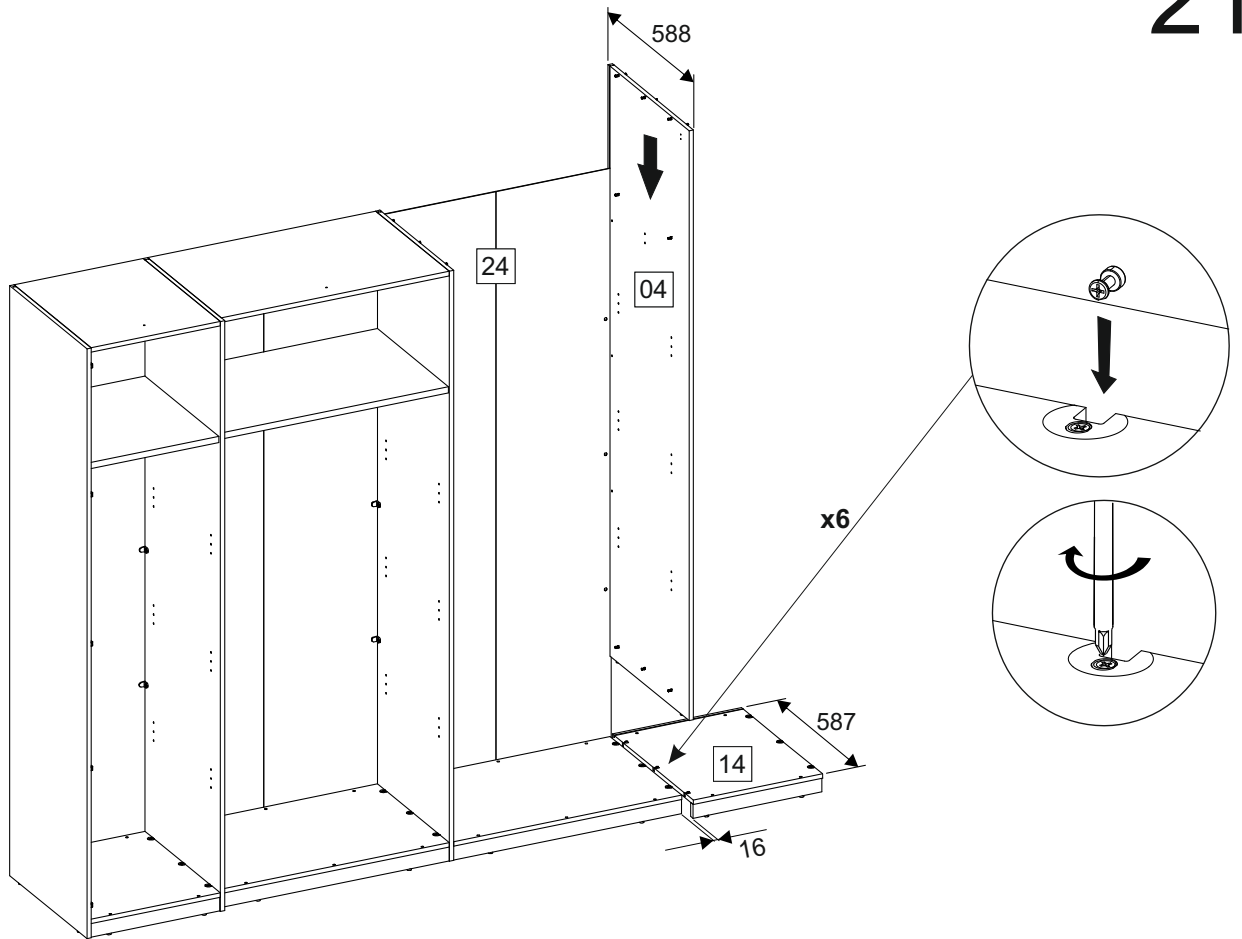
- 3x  C
- 3x  D  
6.3x9,5 mm

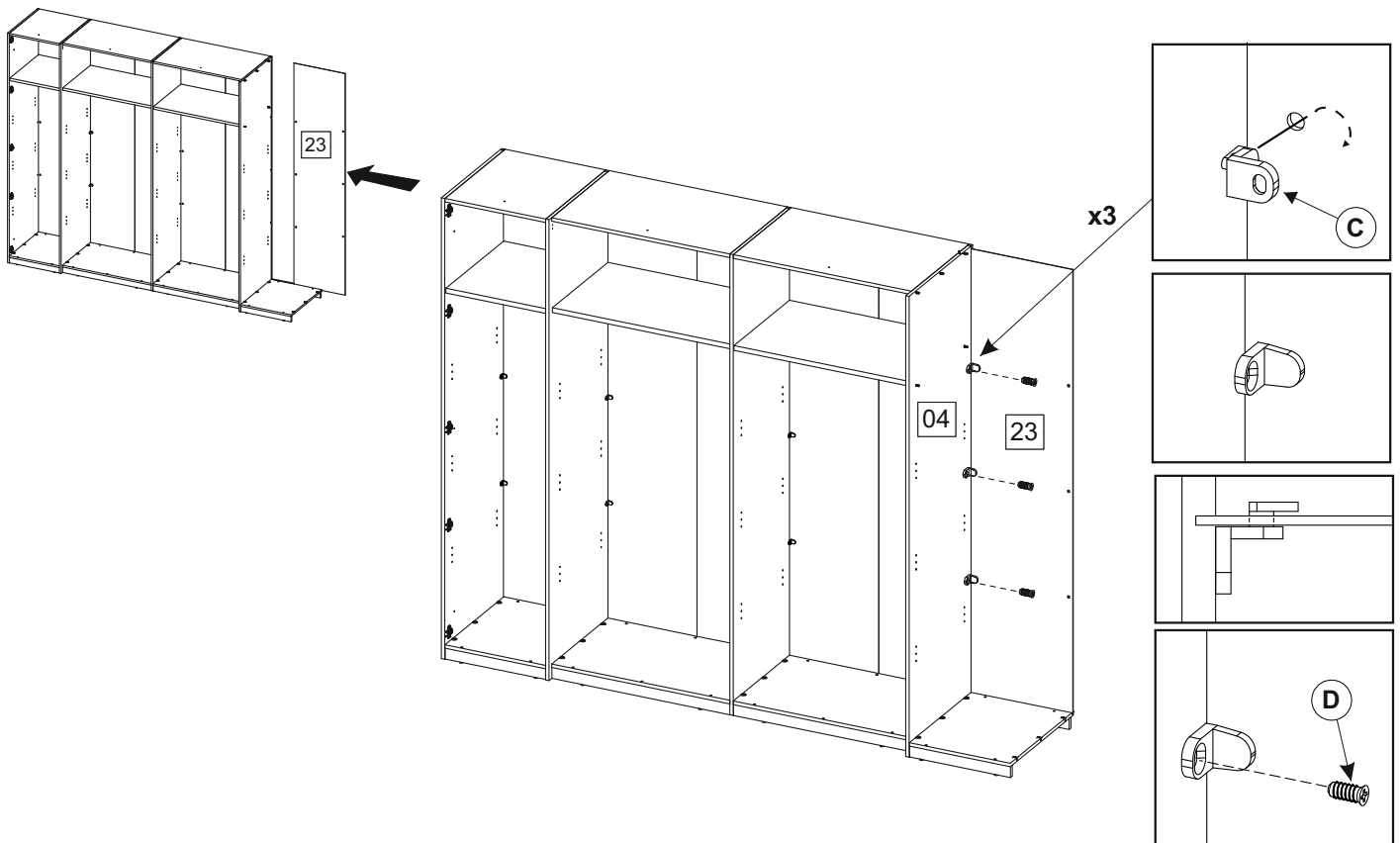
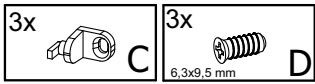
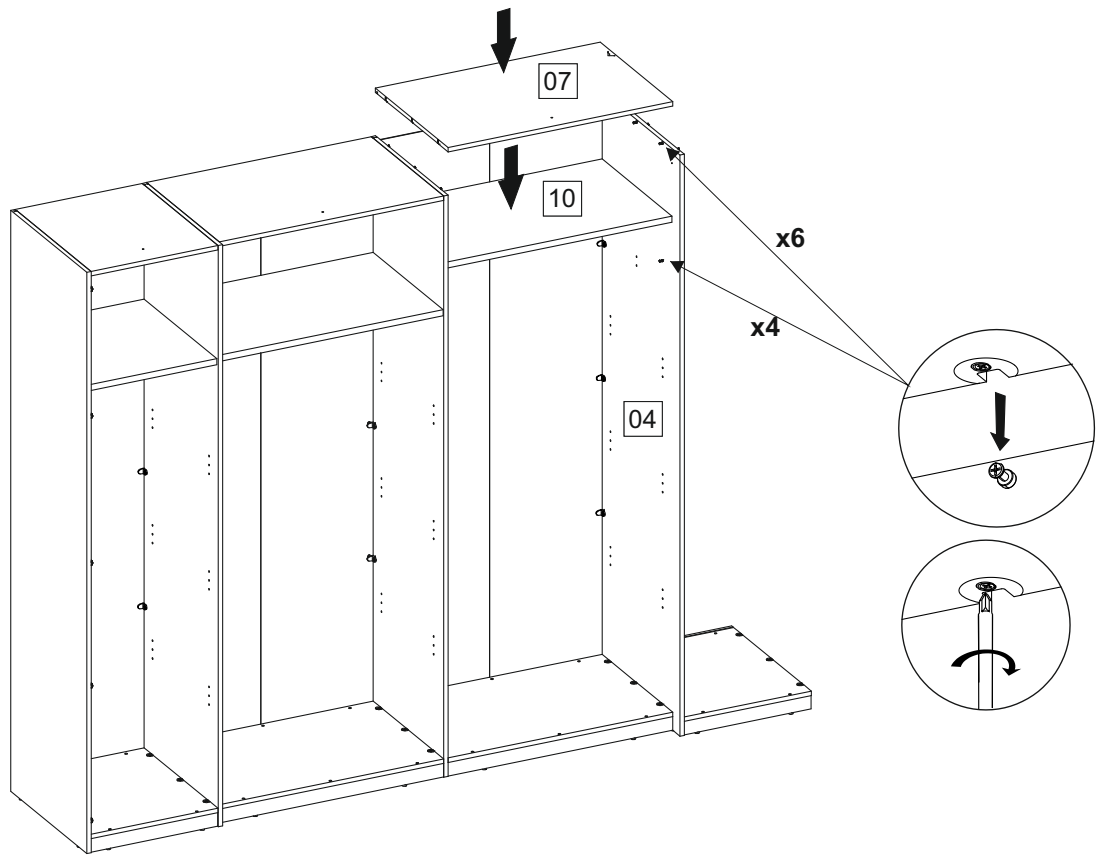


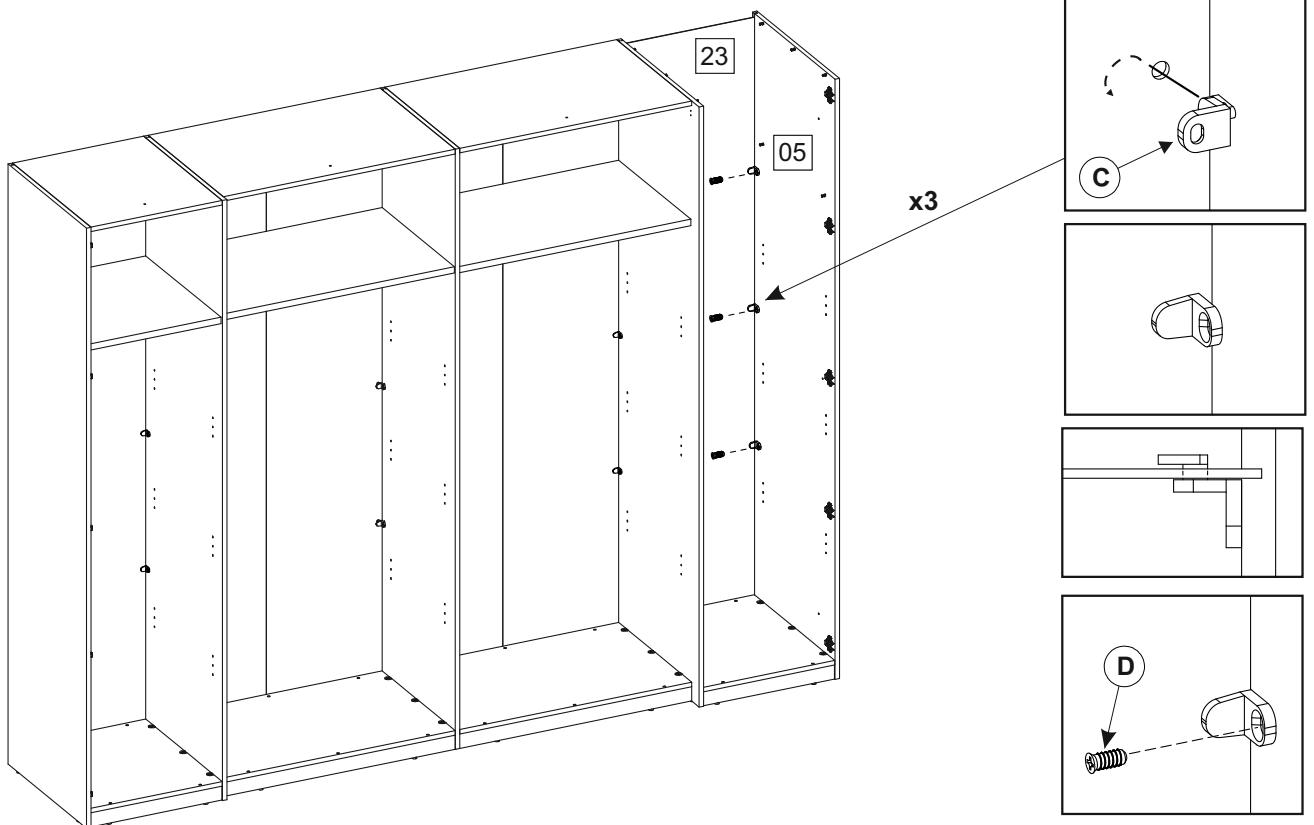
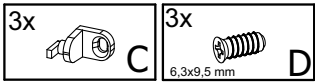
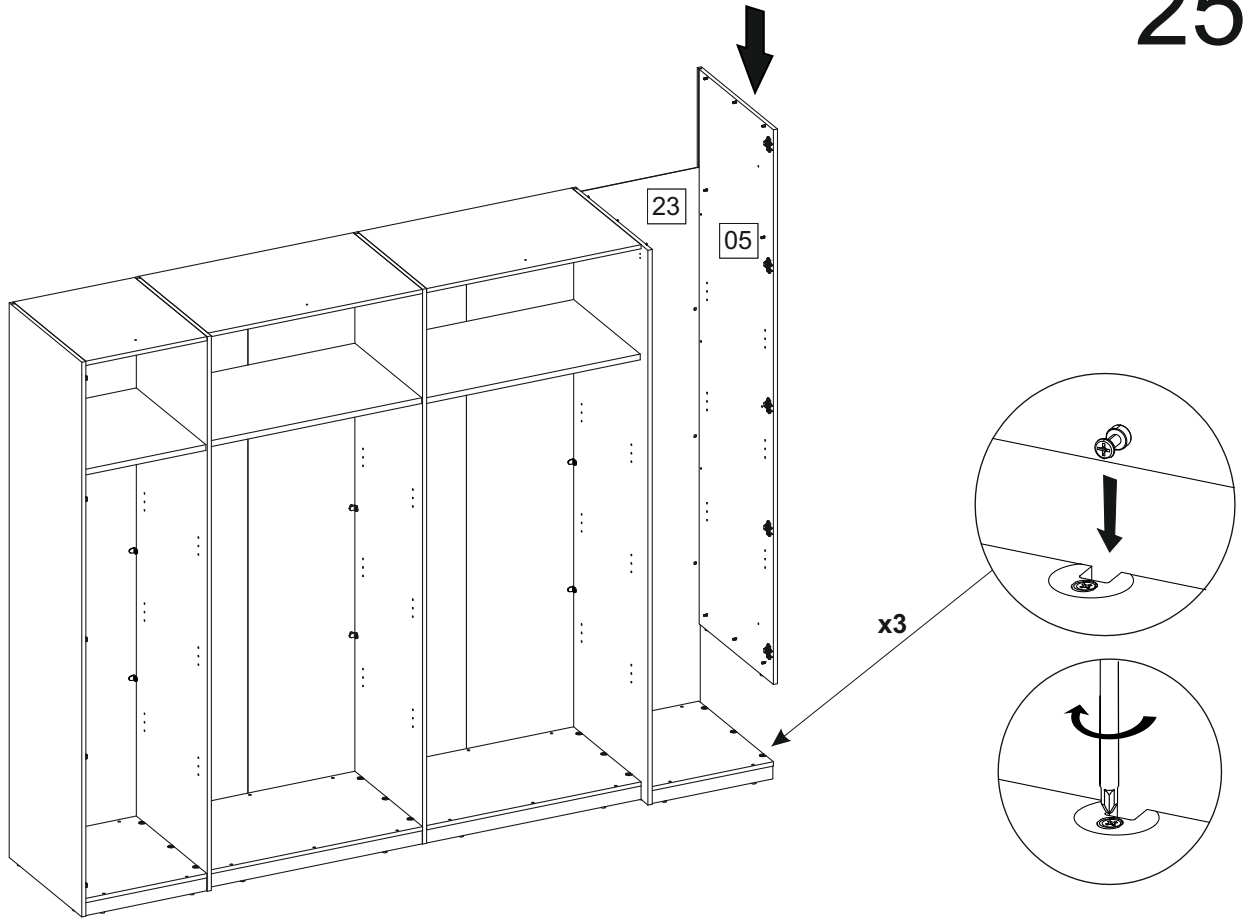


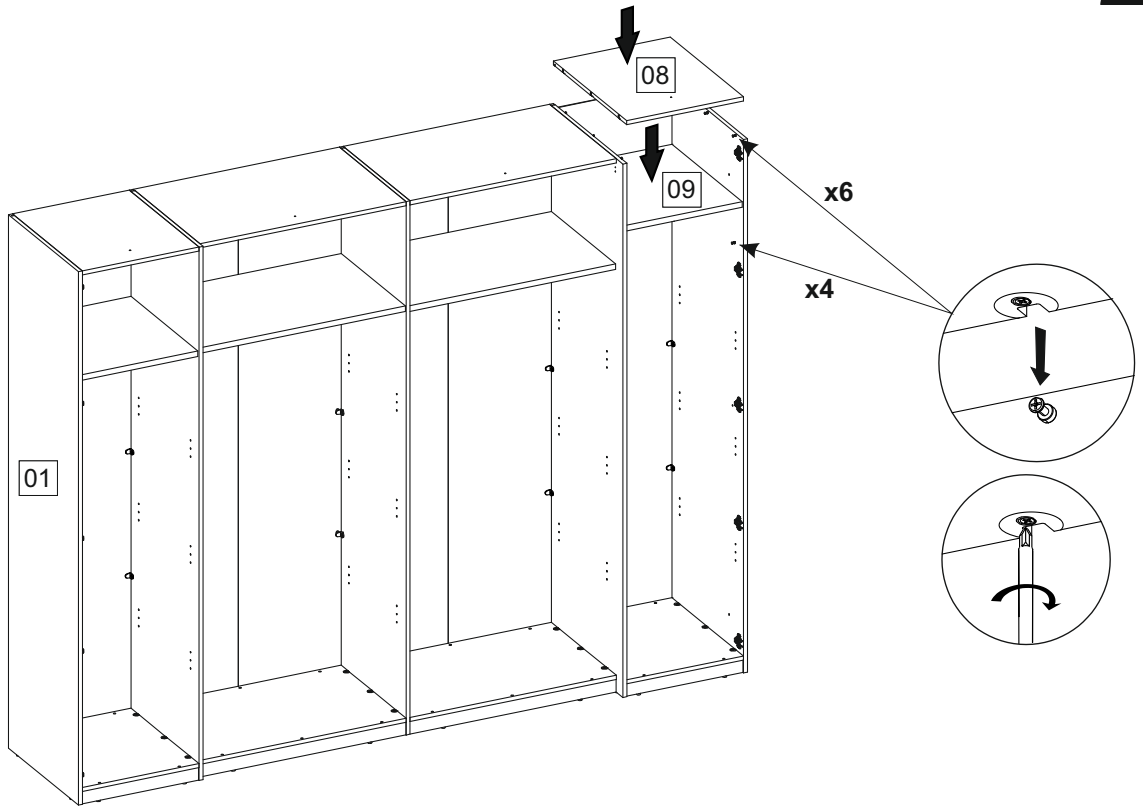




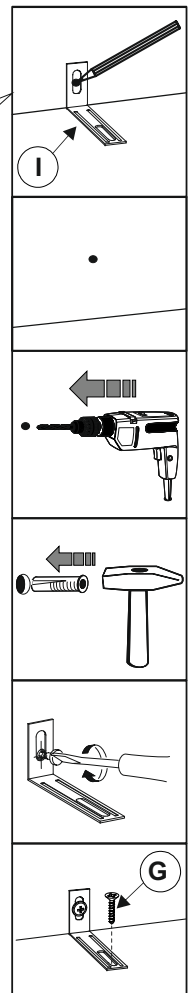
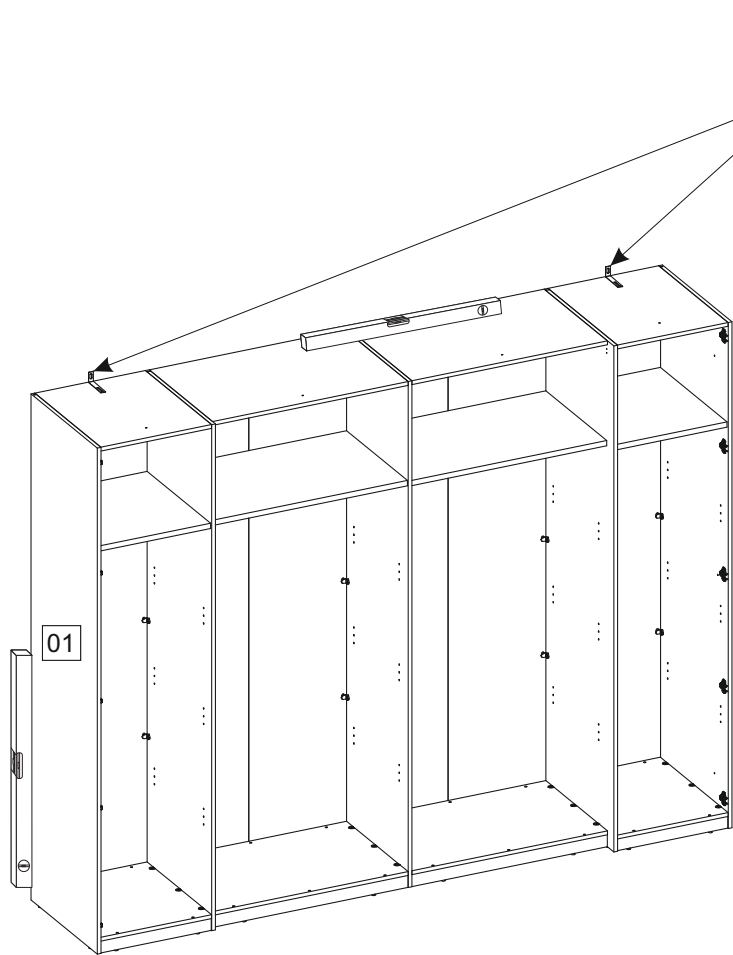
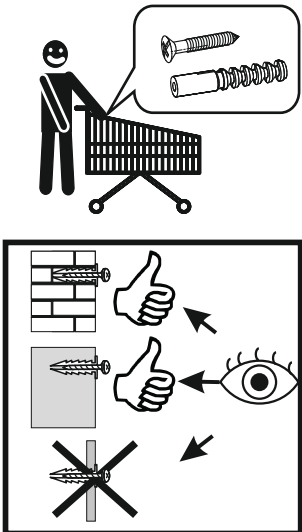





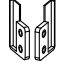


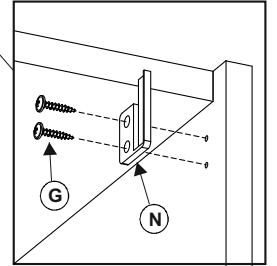
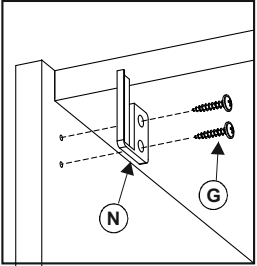
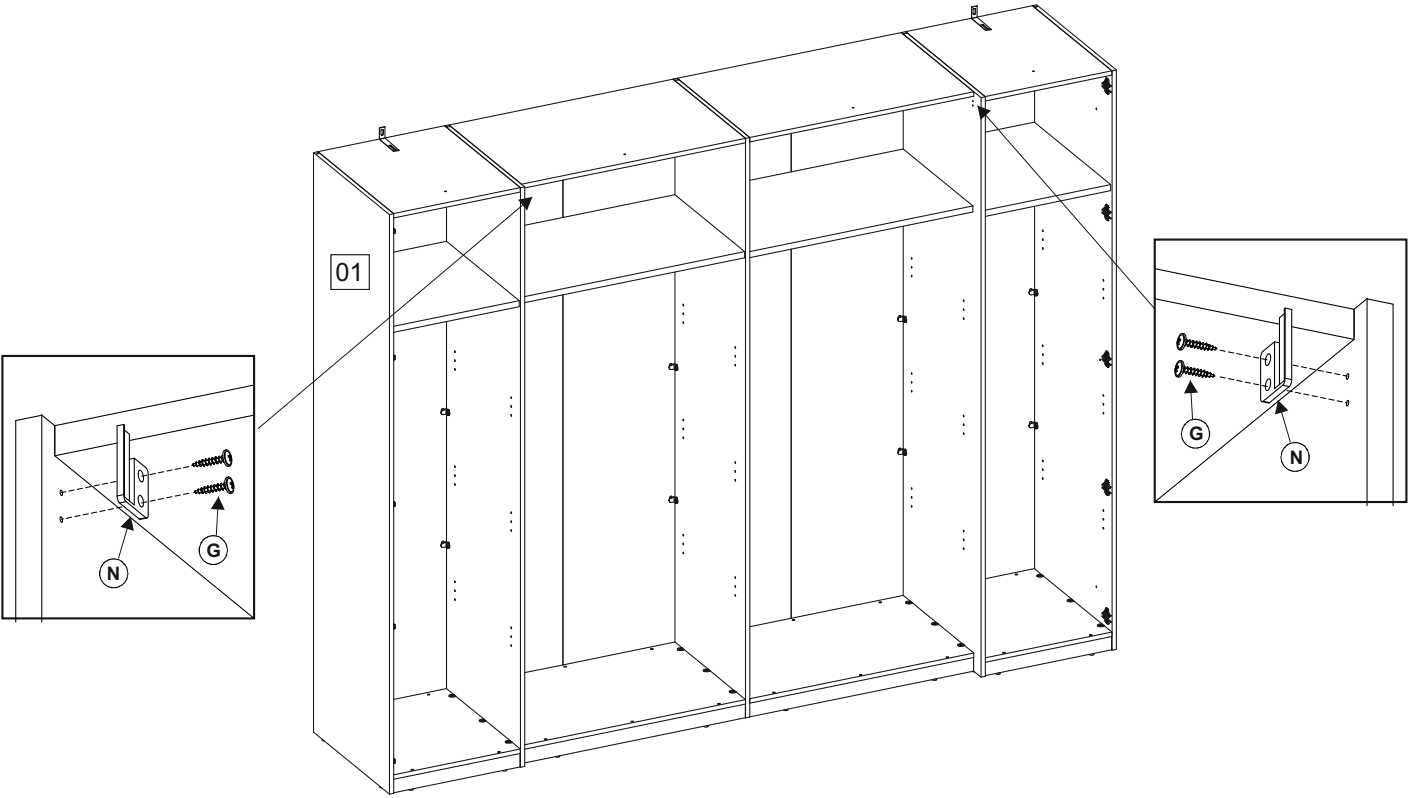


- 2x G  
3.5x16 mm
- 2x I

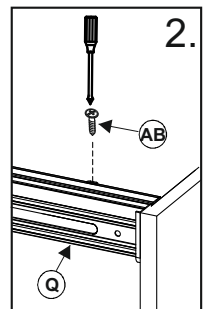
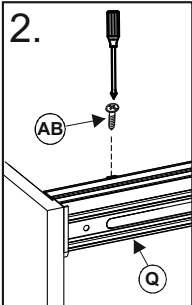
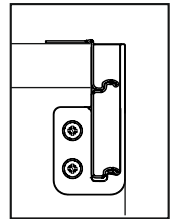
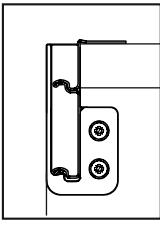
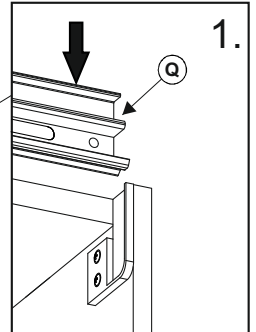
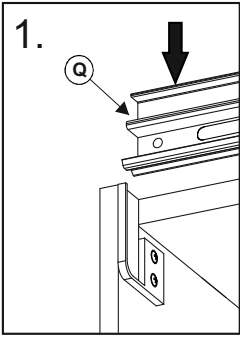
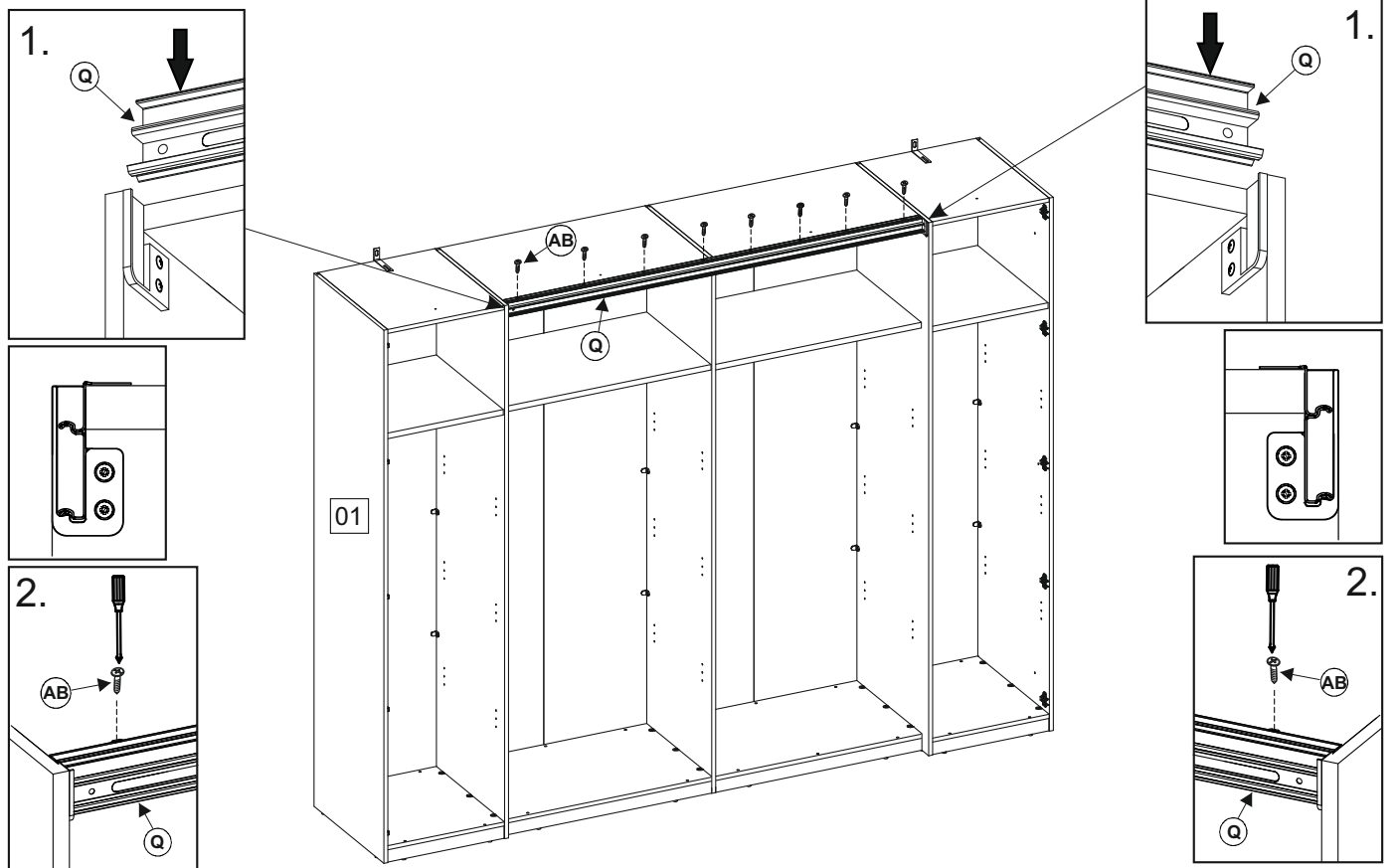








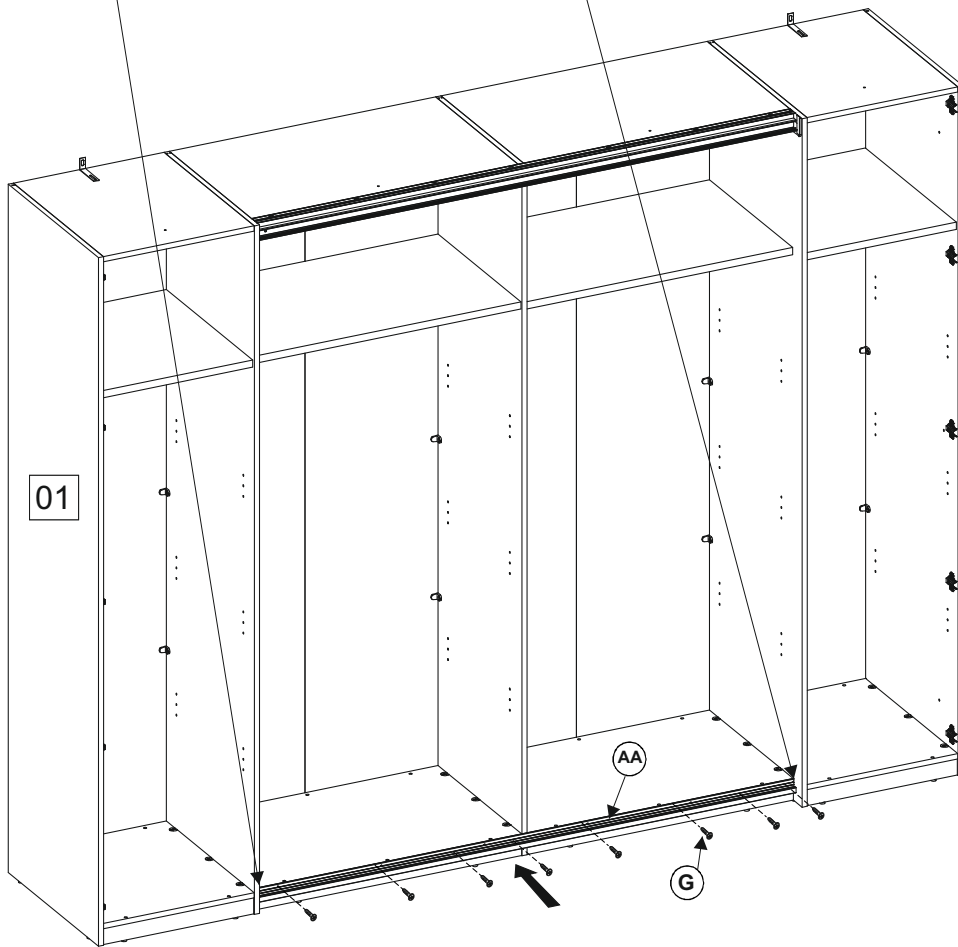
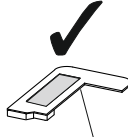
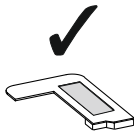
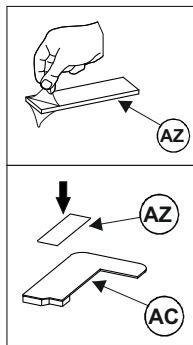
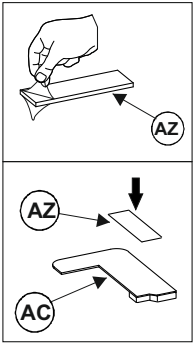
- 4x  G  
3,5x16 mm
- 1x  N

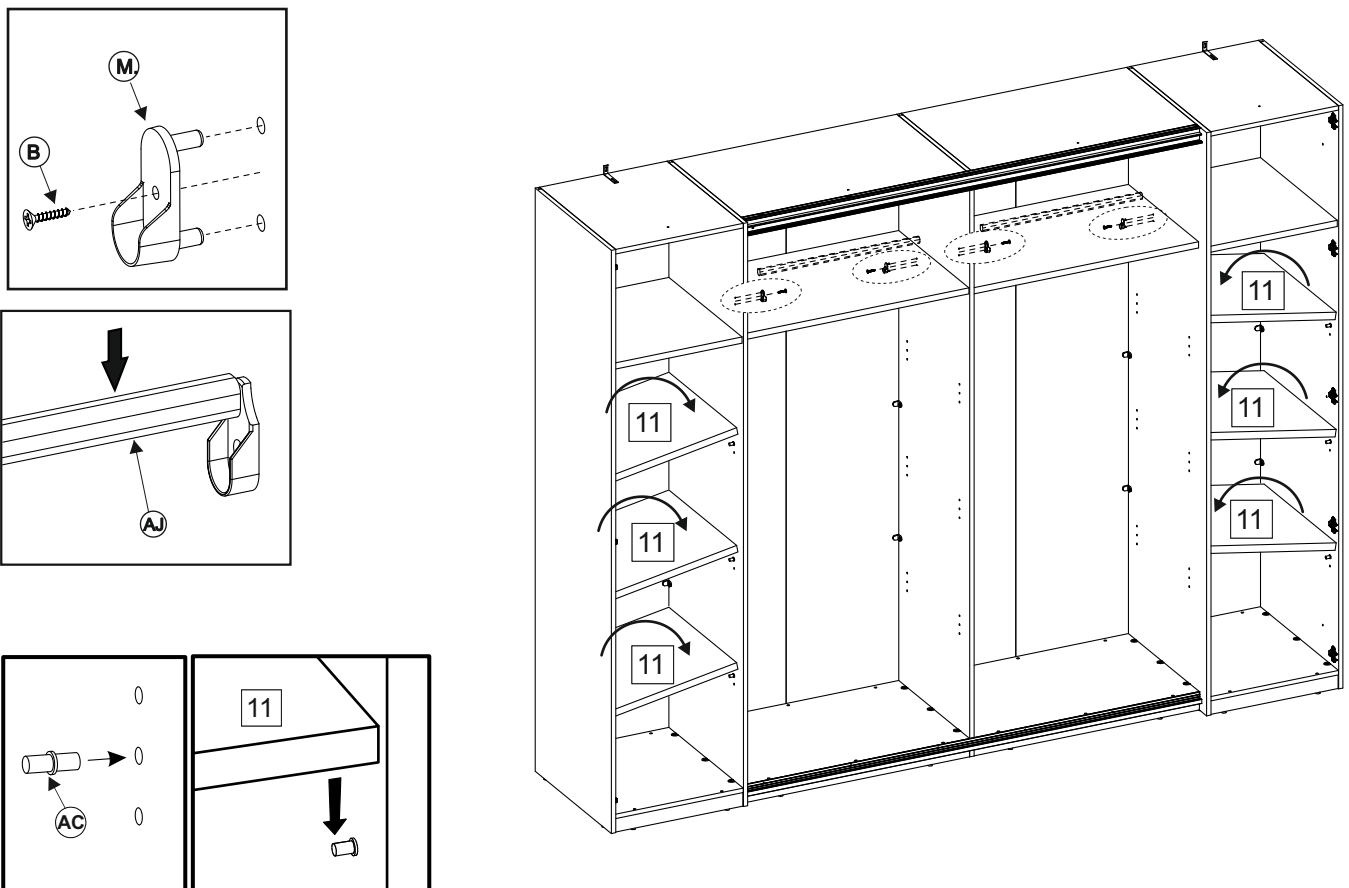
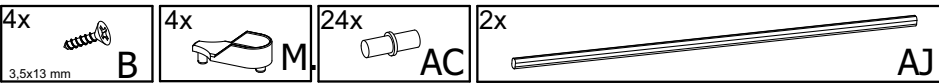
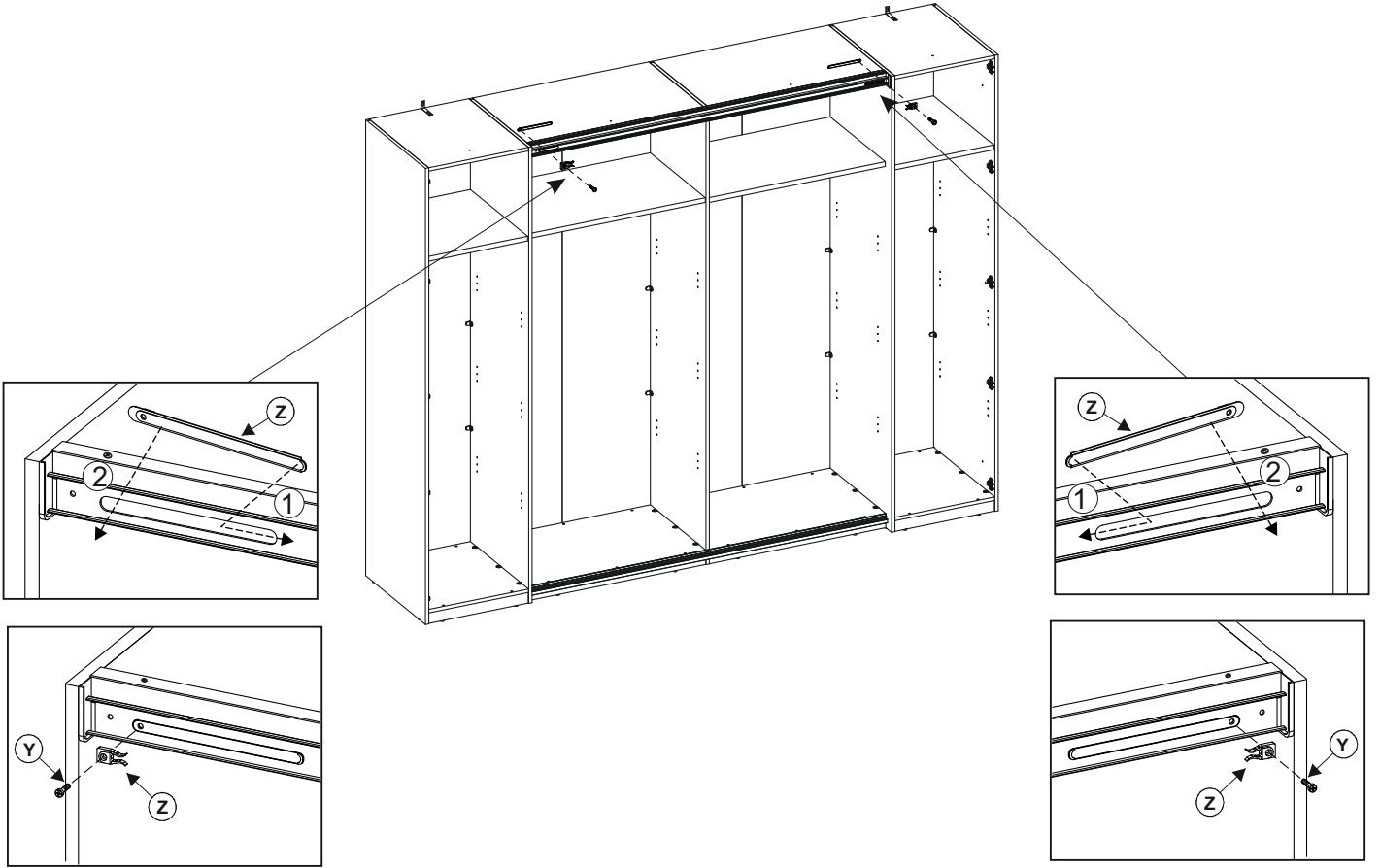
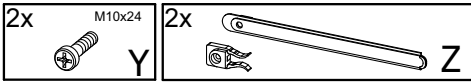


- 8x  AB  
4x16 mm
- 1x  Q

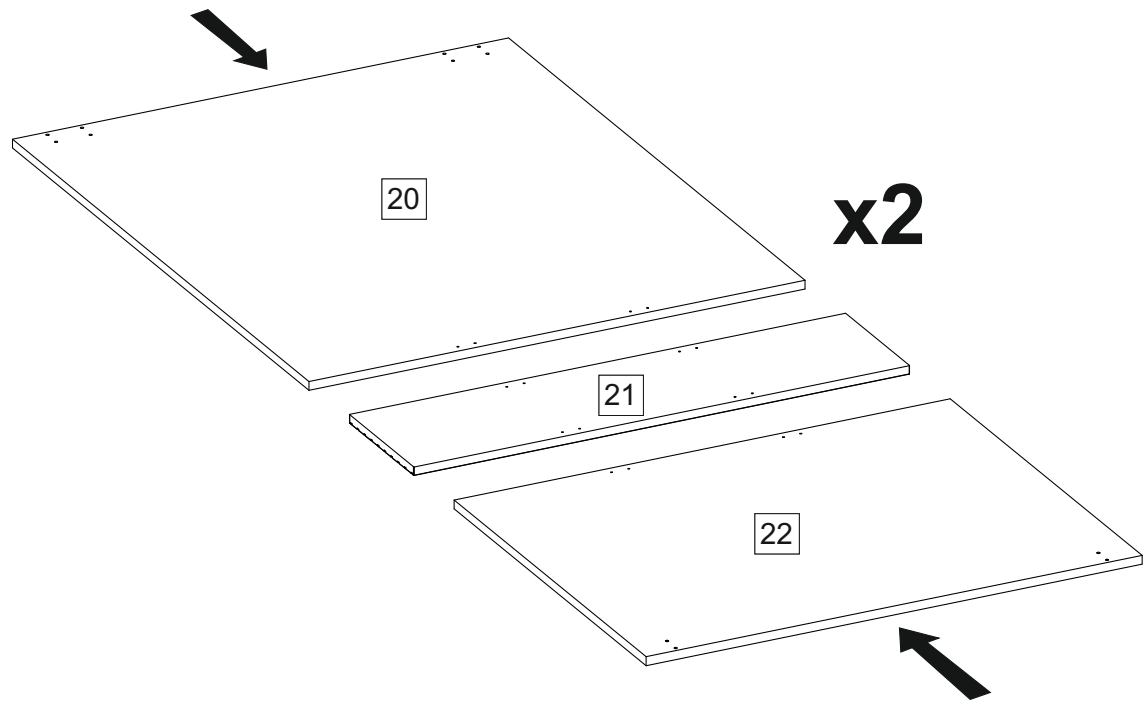
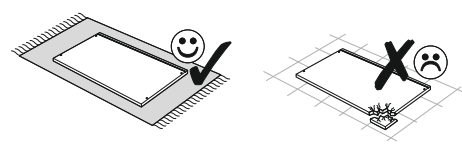


- |   |  |  |   |
|---|--|--|---|
| 1x<br> AA | 1x<br> AC | 8x<br> G<br>3,5x16 mm | 2x<br> AZ |
|---|--|--|---|





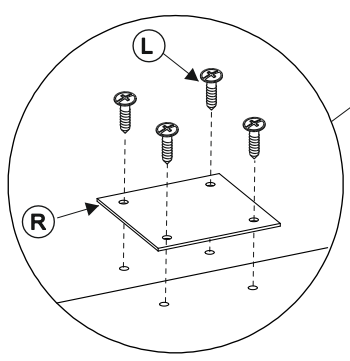
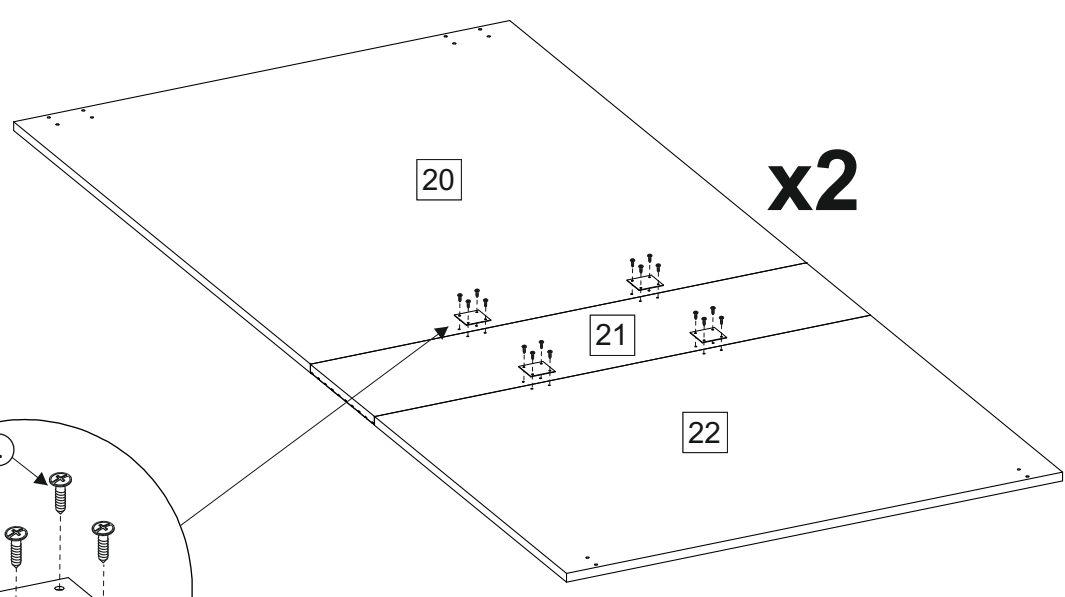
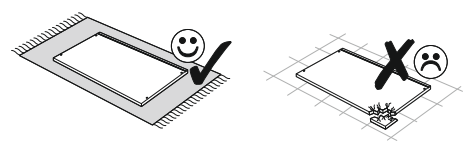
34


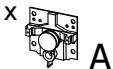
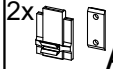
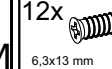


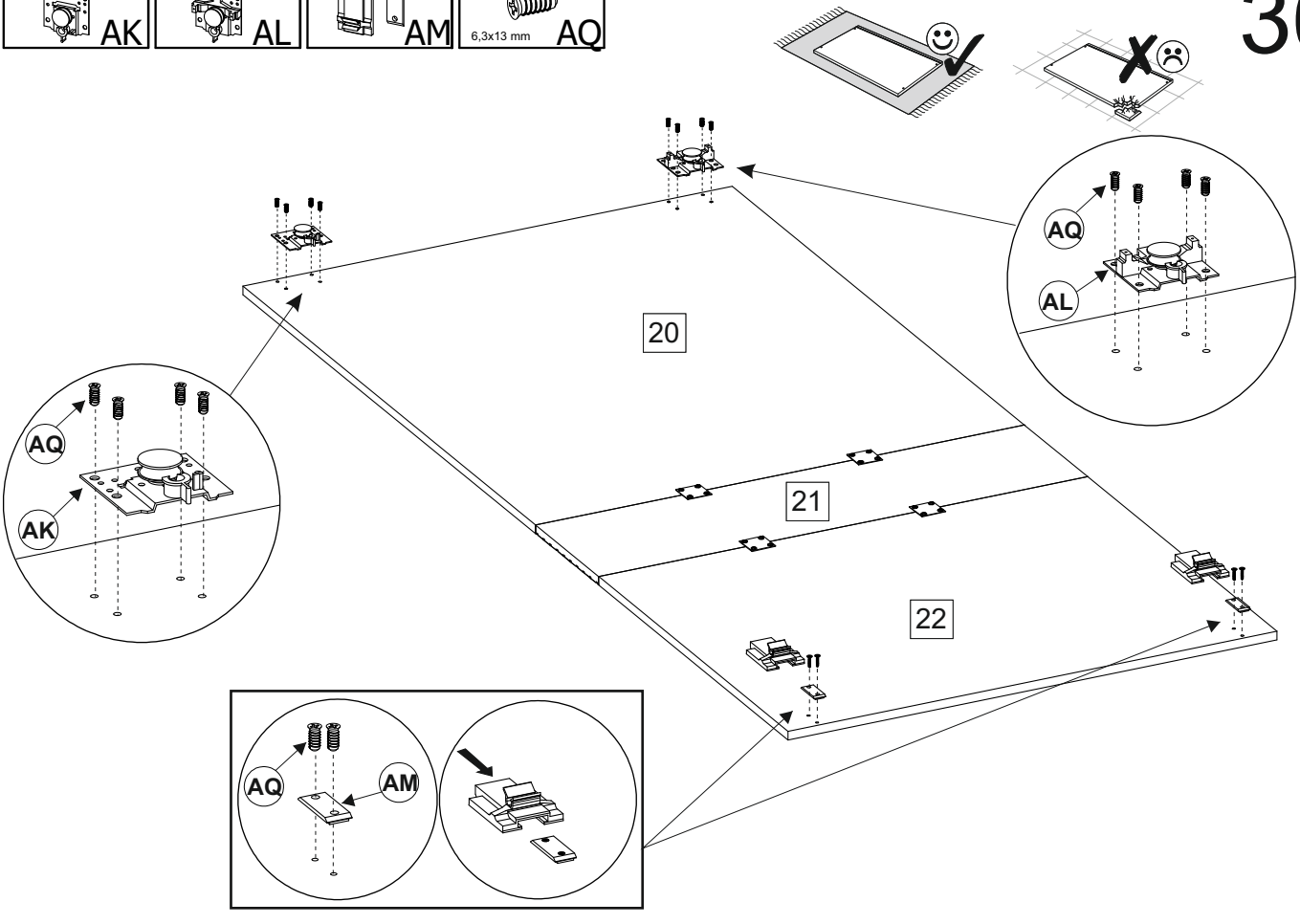
32x  
3.5x13 mm L

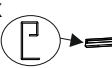

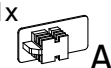
8x R

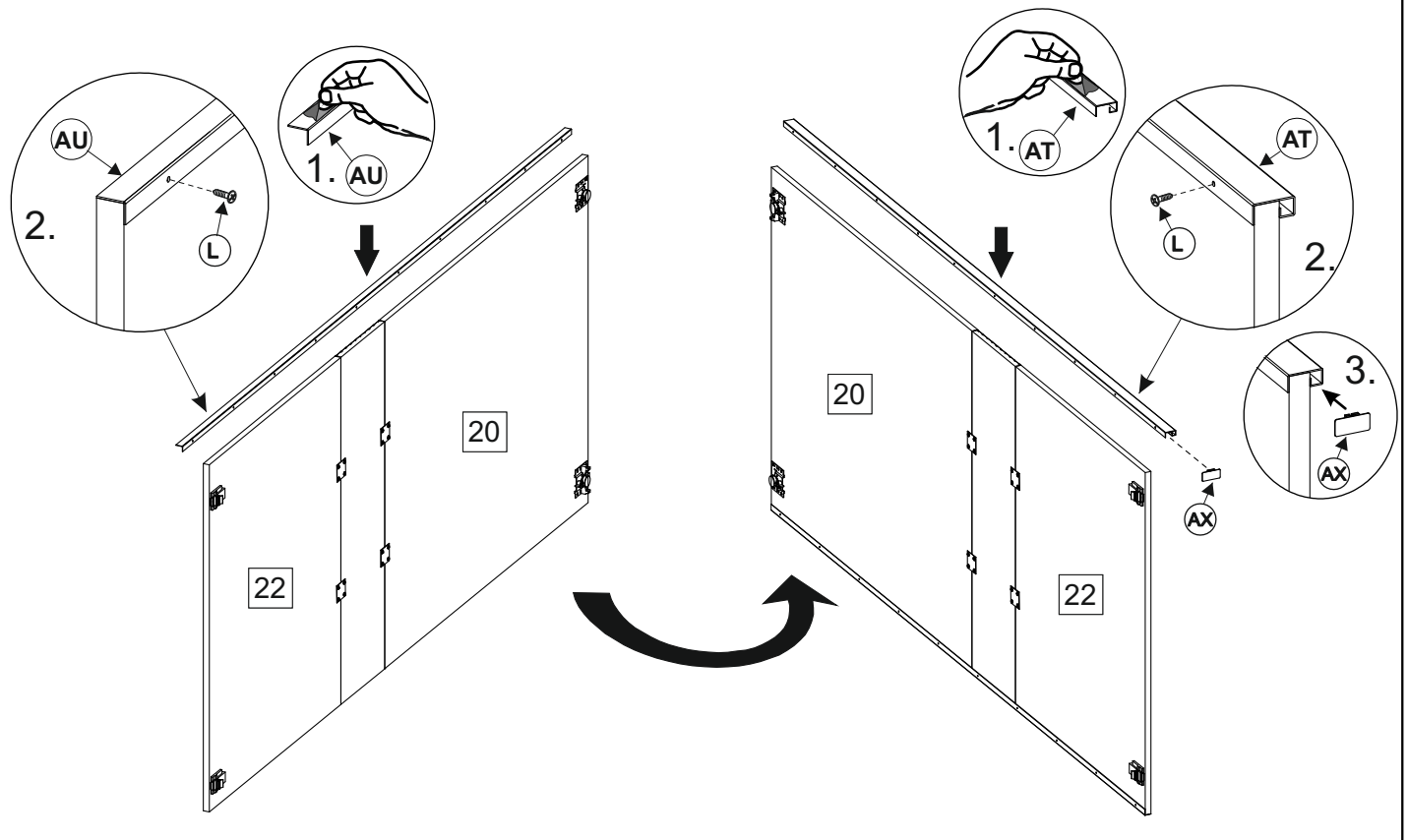
35

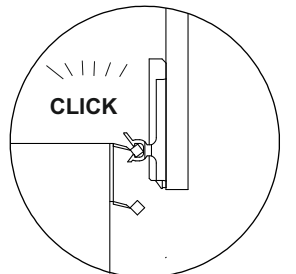
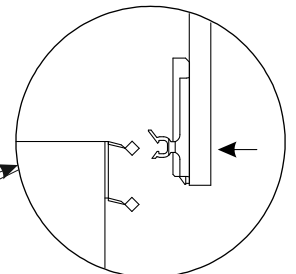
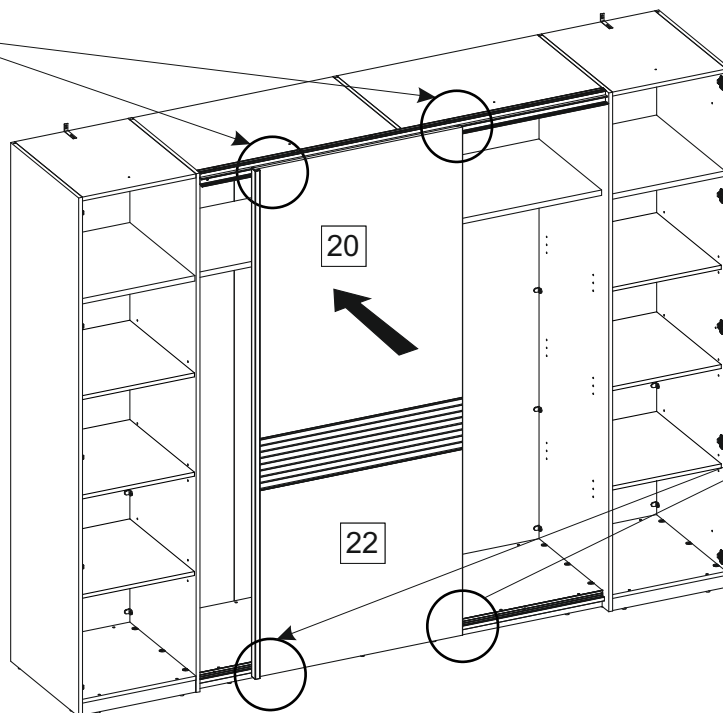
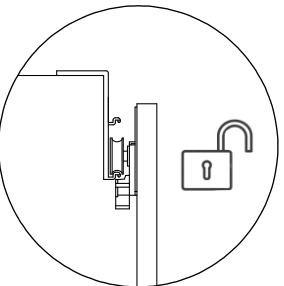
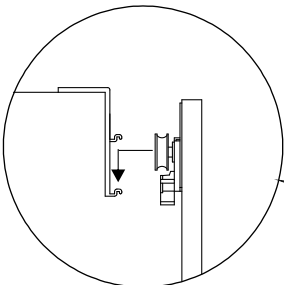
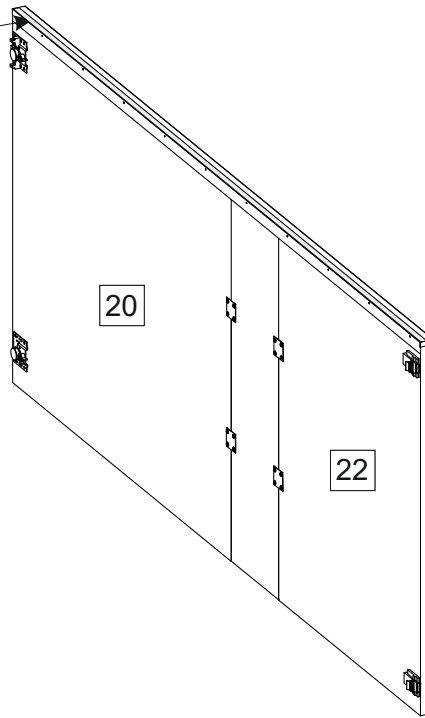
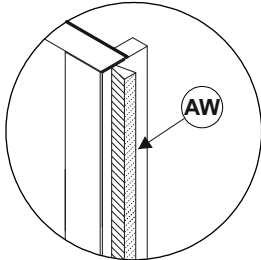
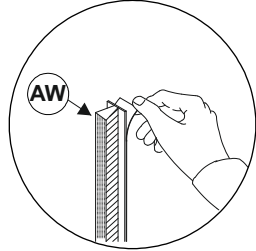
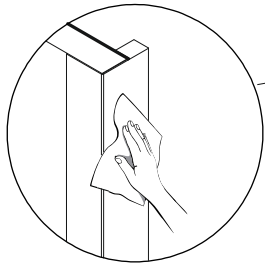
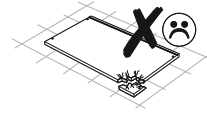
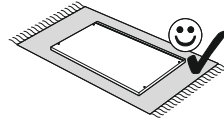
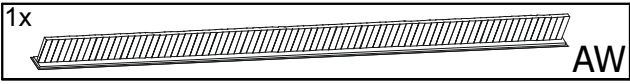


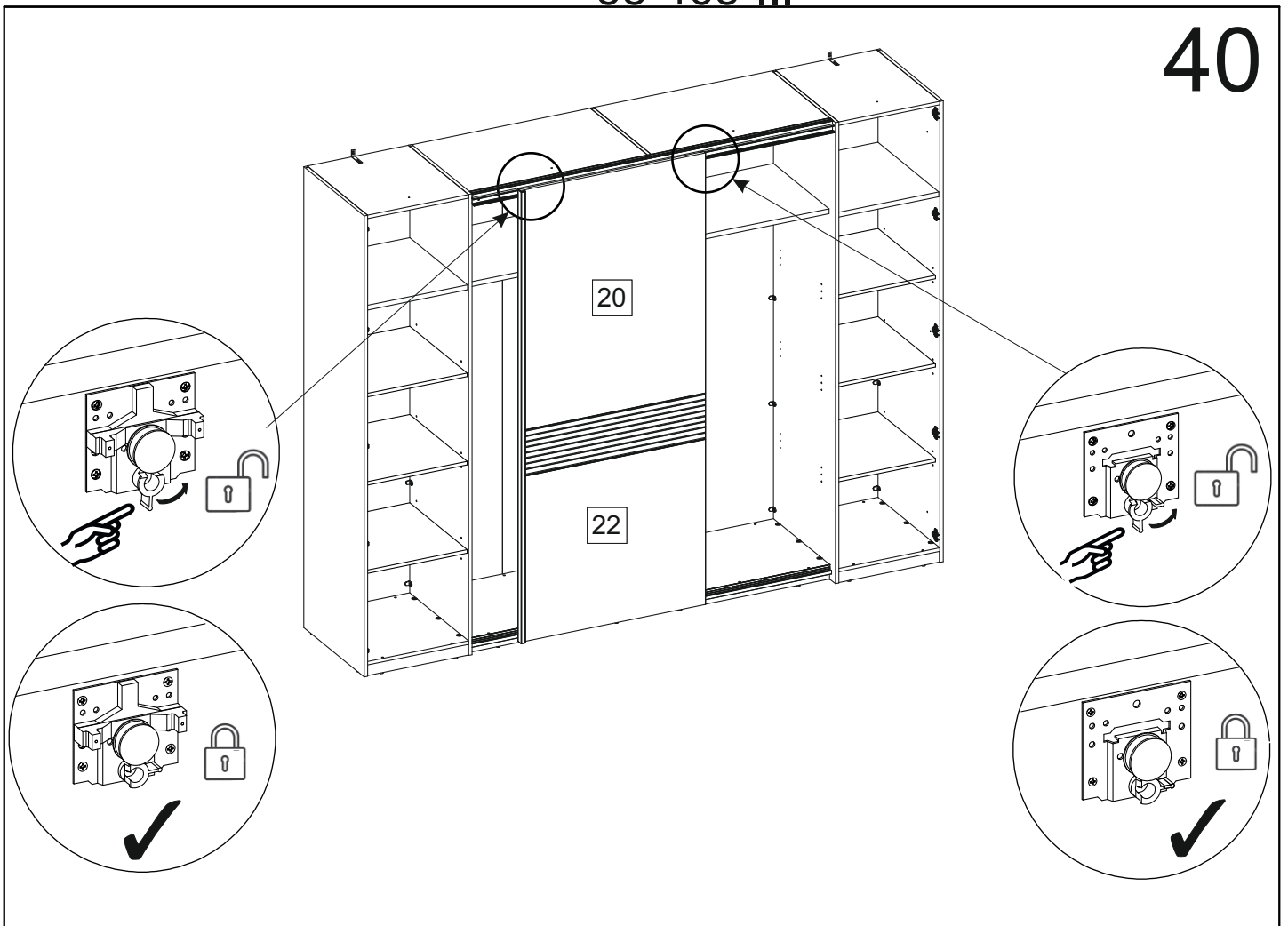
- 1x  AK
- 1x  AL
- 2x  AM
- 12x  6,3x13 mm AQ



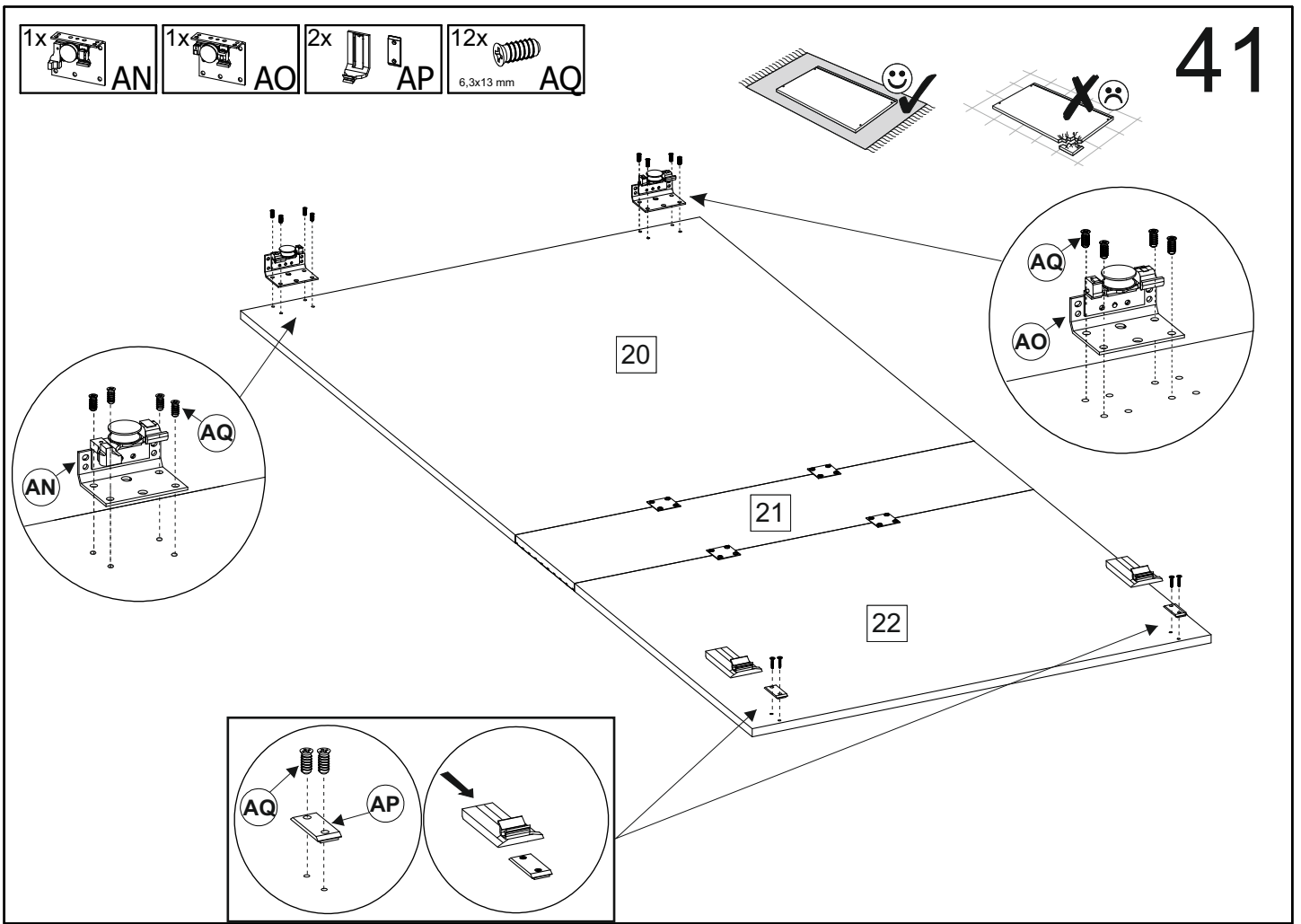
- 1x  AU
- 20x  3,5x13 mm L
- 1x  AX

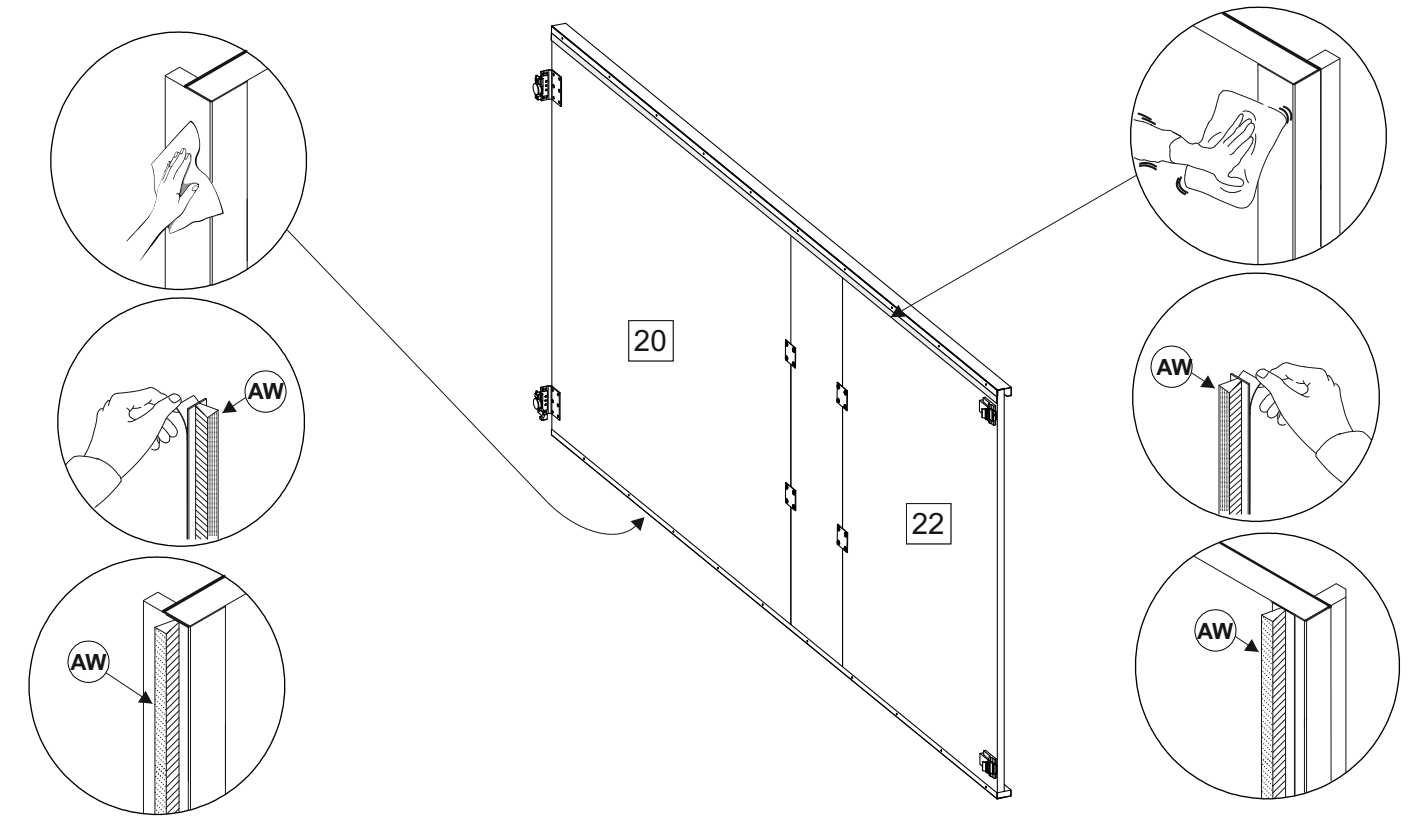
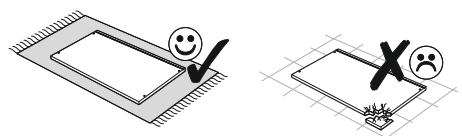
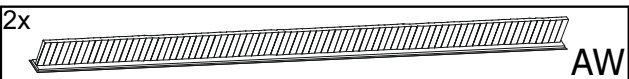
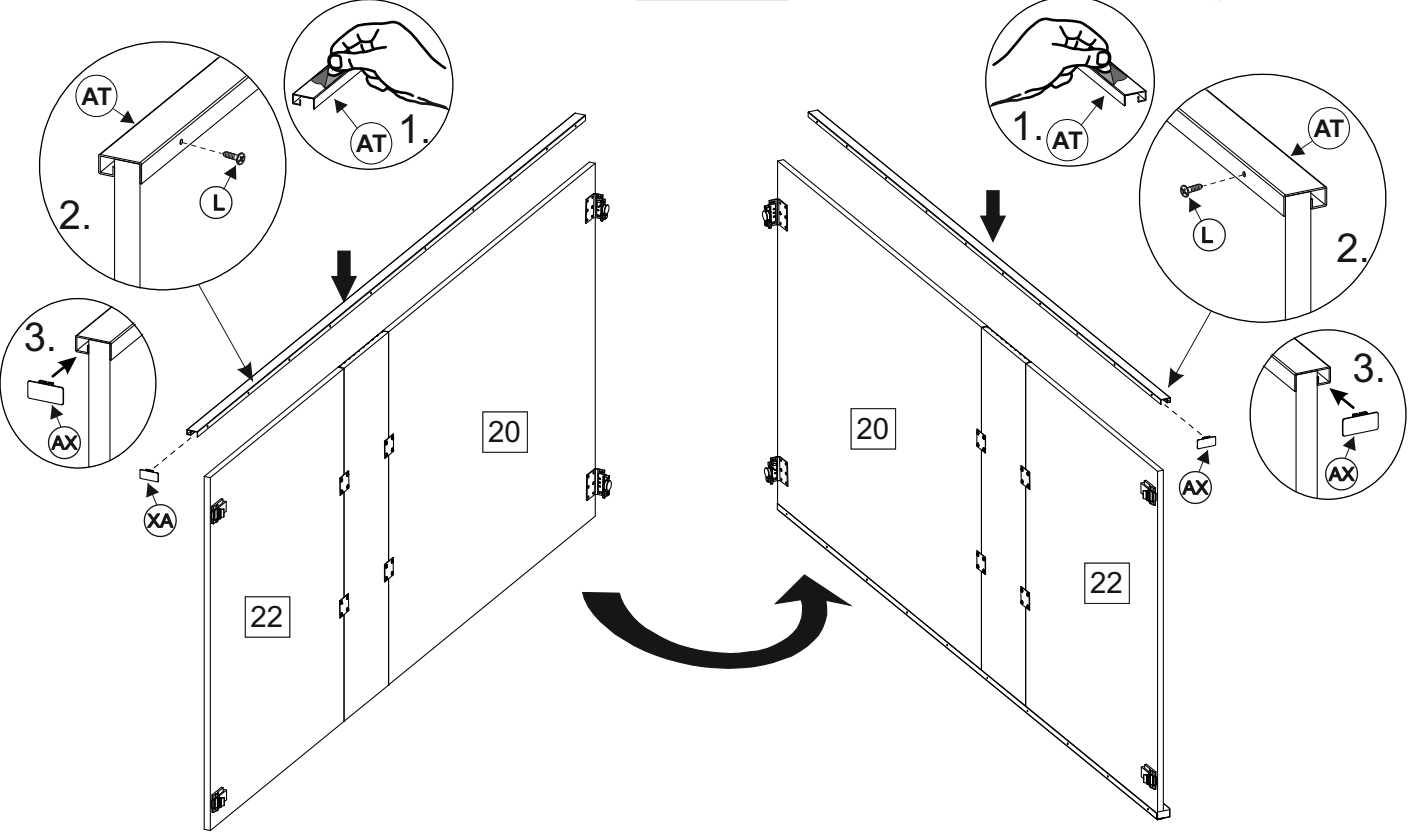
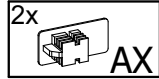
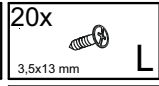




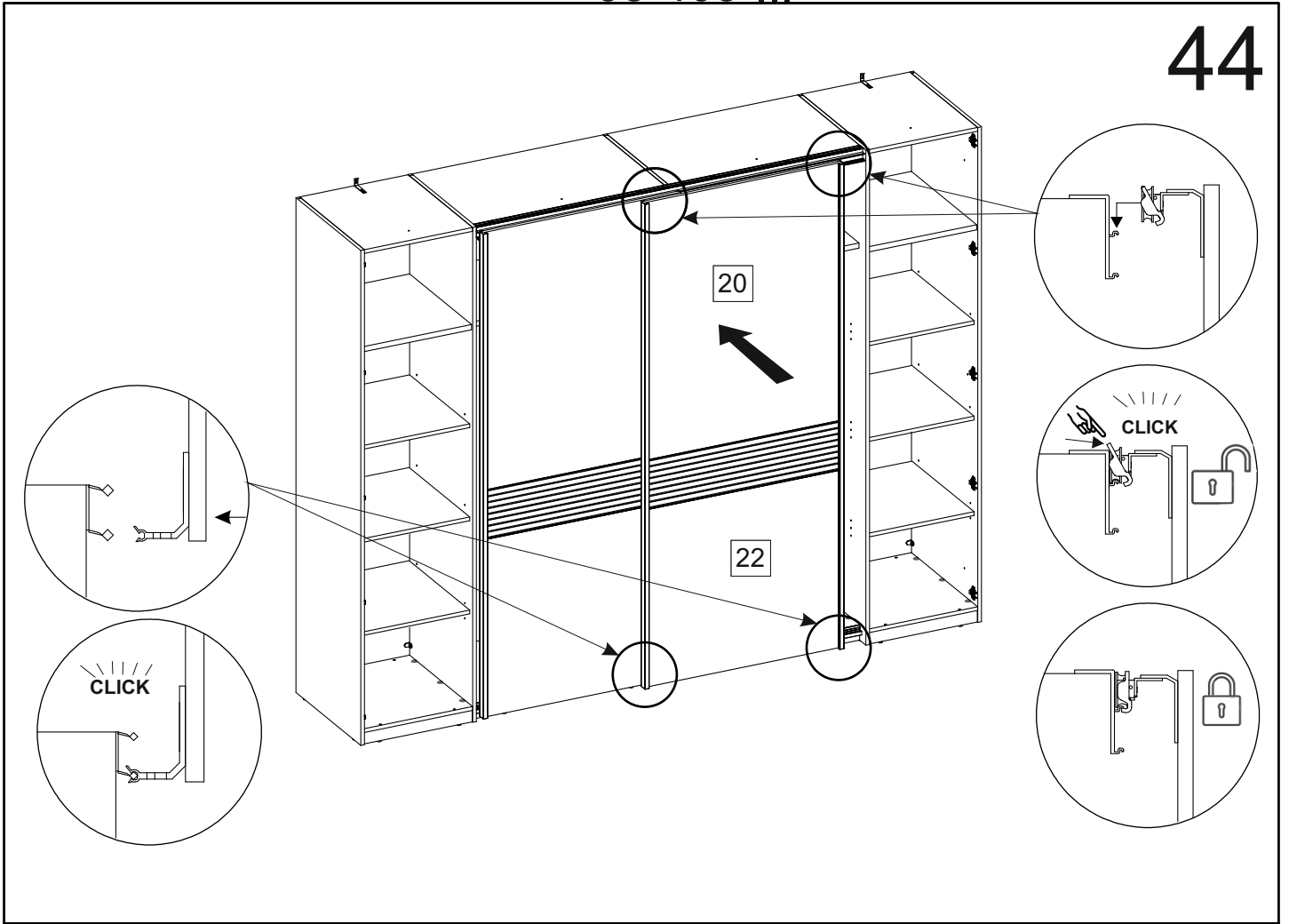


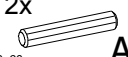


- 1x AN
- 1x AO
- 2x AP
- 12x 6,3x13 mm AQ

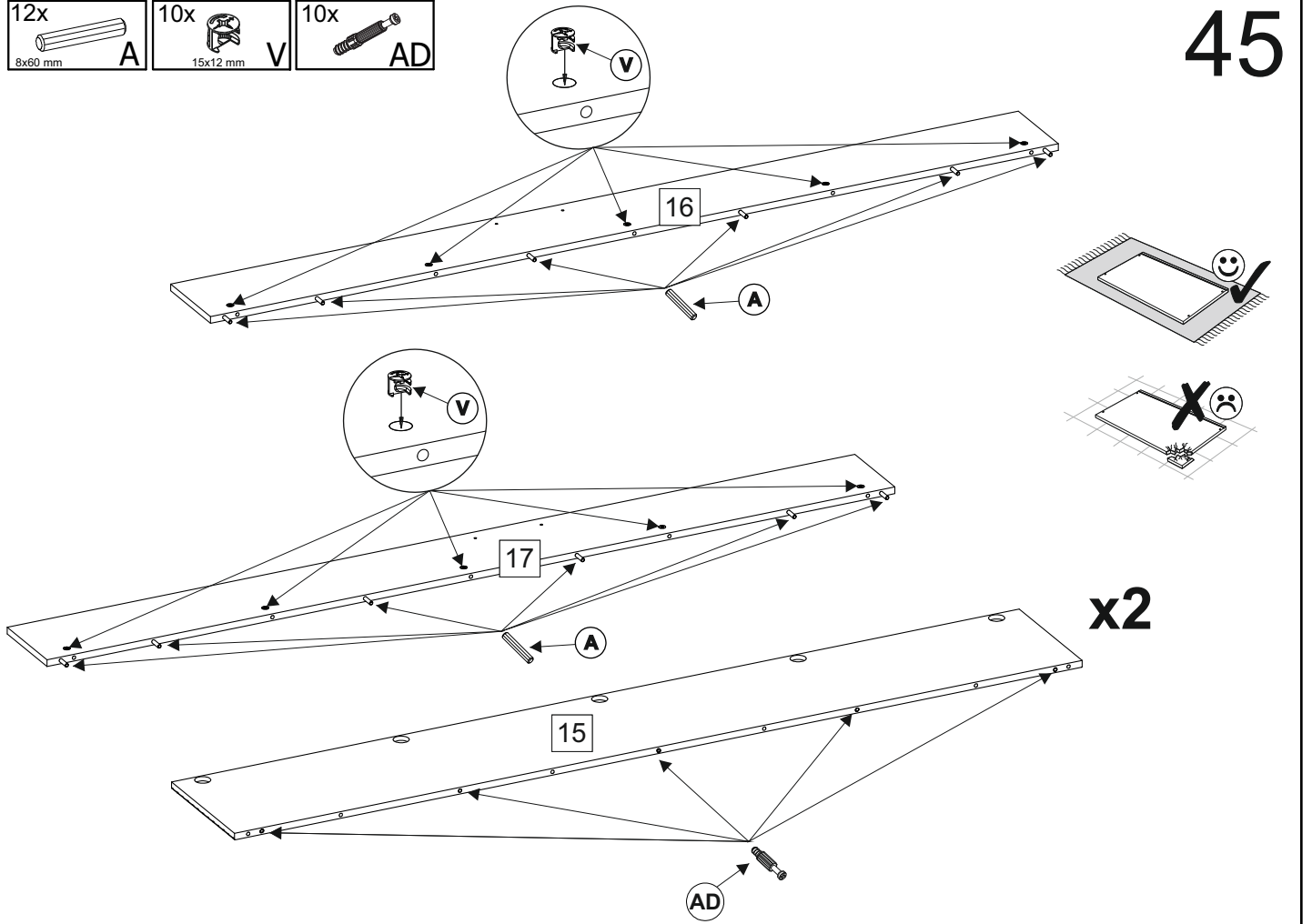







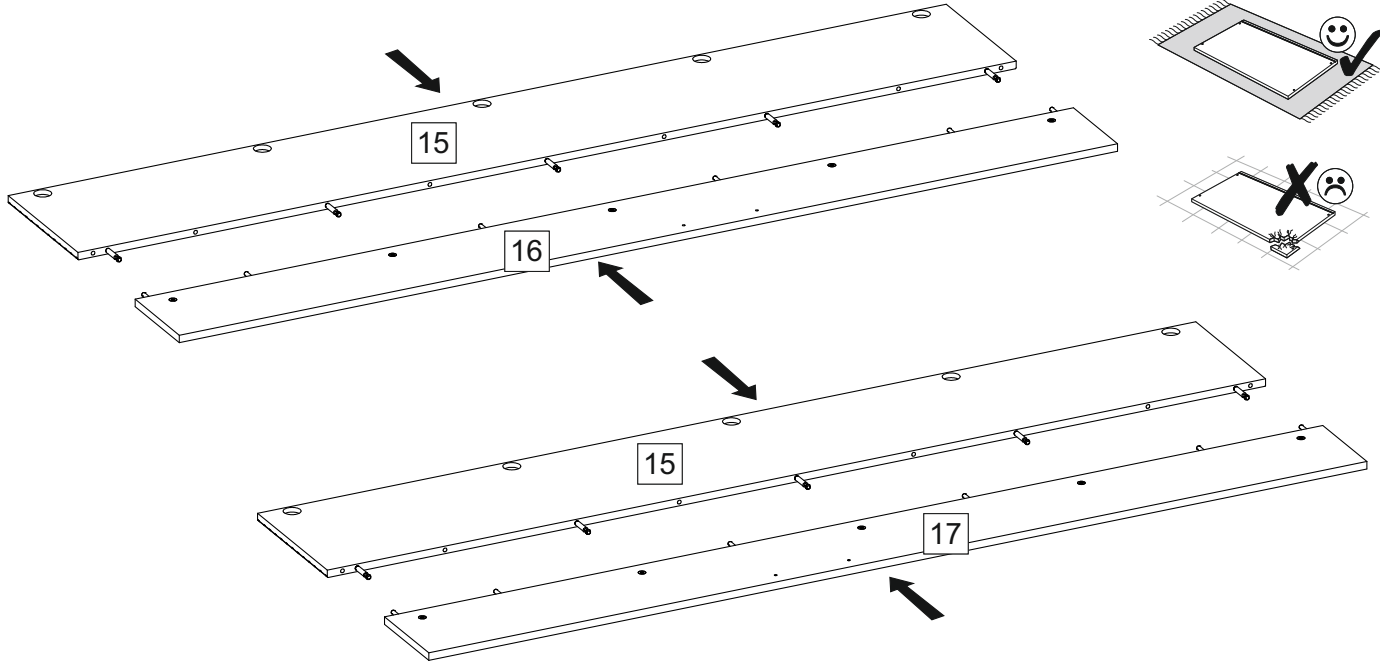
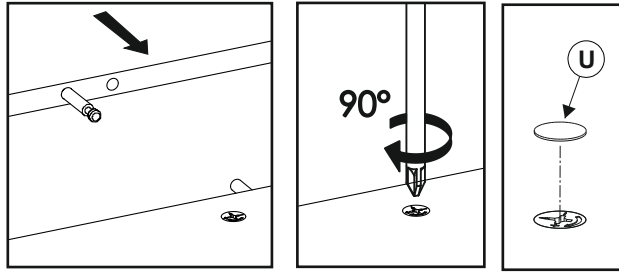


- 12x  8x60 mm **A**
- 10x  15x12 mm **V**
- 10x  **AD**




10x  U

46



20x  G  
3.5x16 mm

10x  P

47

