
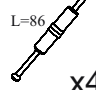







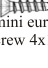














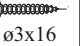

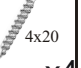



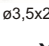
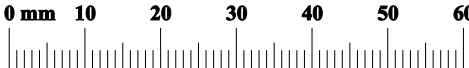
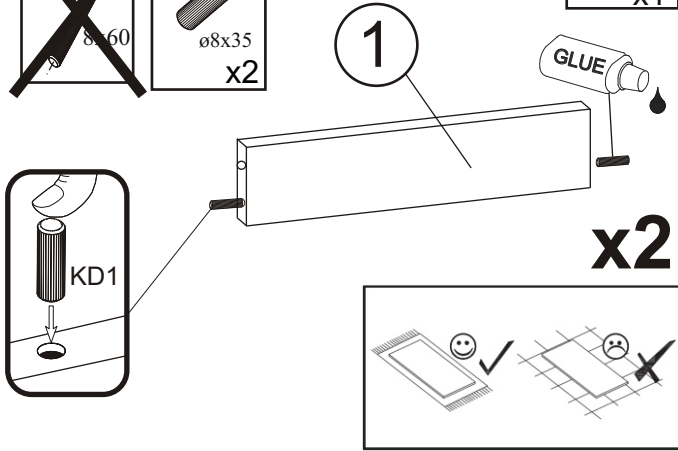
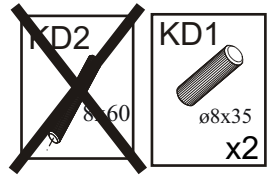
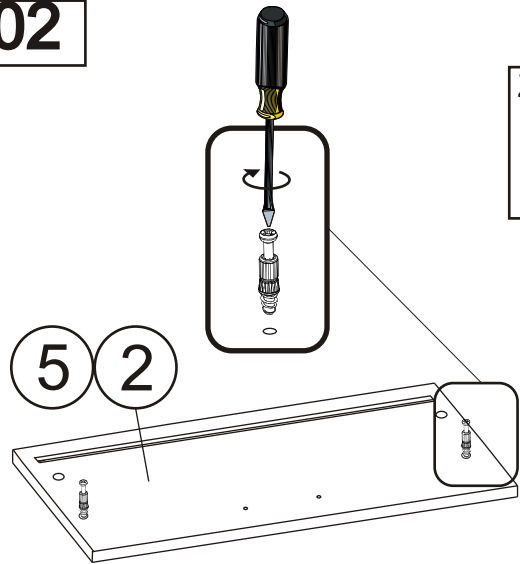
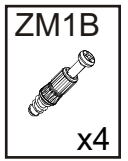


ZM1B  x26	TPP3 L=86  x4	TPP2 L=70  x2	ZM1A  x38	ZM1 ø16  x10	K1 ø7x50  x12	K2 ø7x70  x9	KK1  x1	PKU4  x2	ME1 mini euro screw 4x13  x8	SR4 M4x12  x4	SG2  x2	
KD1 ø8x35  x34	KD2 8x60  x2	KSK1 GLUE  x1	Z1P  x2	Z1  x2	W4 ø4x13  x4	R ø50 L=91  x1	PR1 ø50  x2	SP L=140  x1	PSZ  x1	NRM1 M6  x1	S1  x8	W1 ø3x16  x8
SS3  x4	W6 4x20  x4	PP  x4	KRW1  x2	U28  x3	WU ø3,5x27  x6							

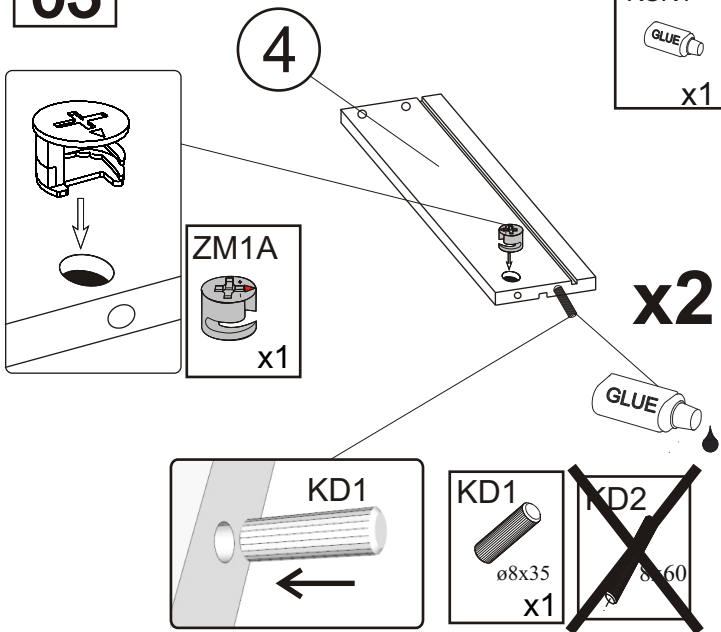
01



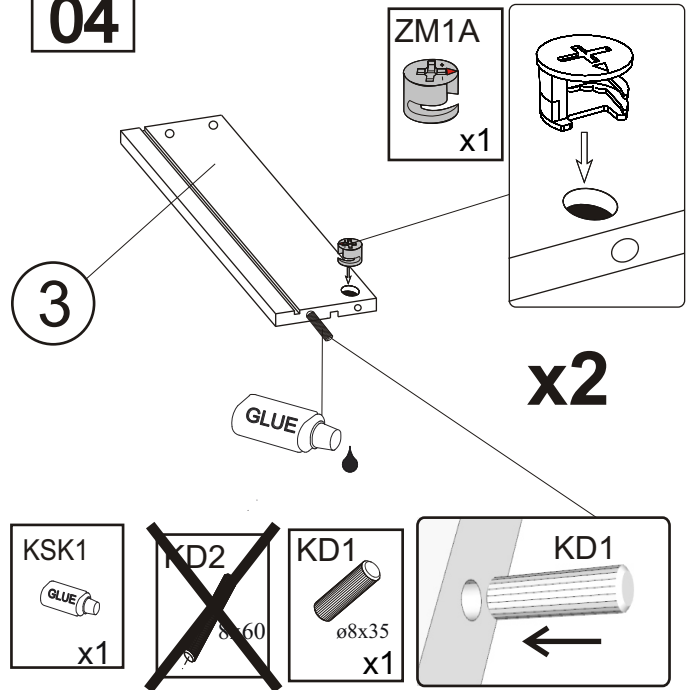
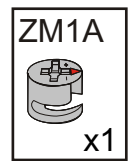
02



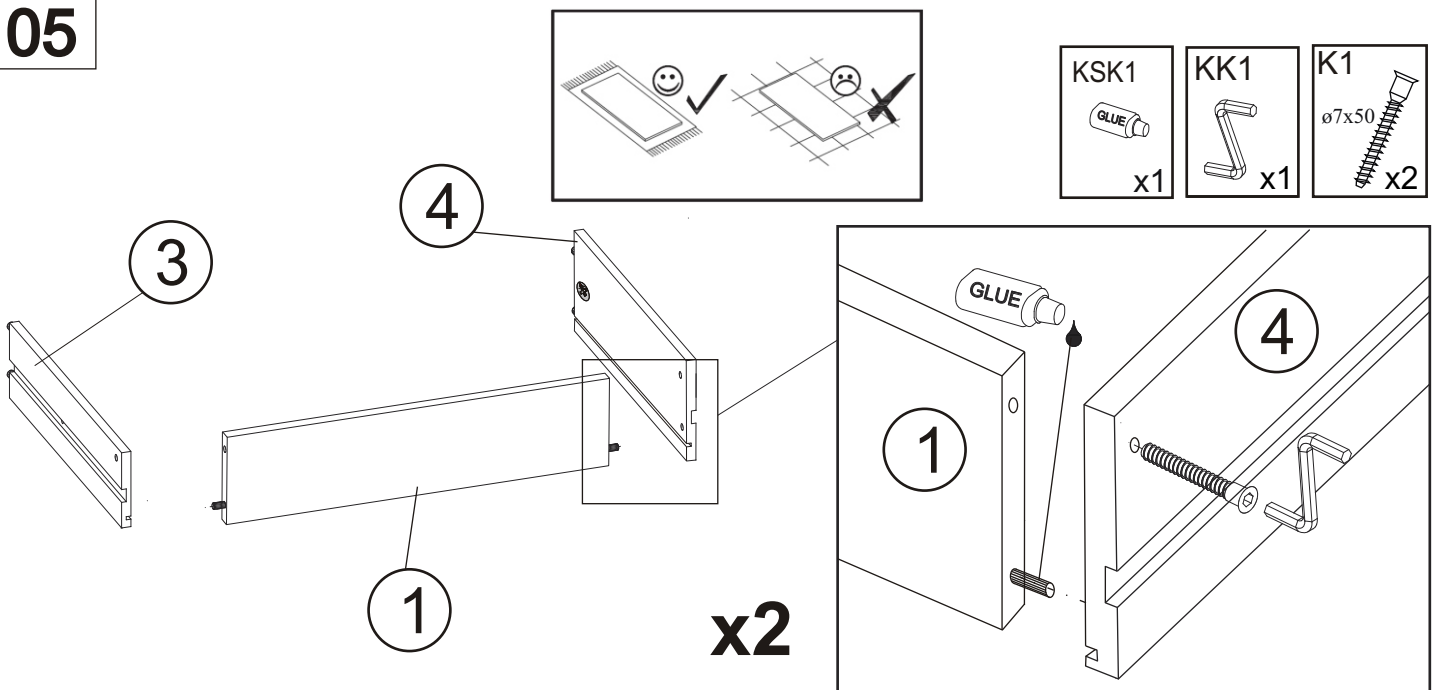
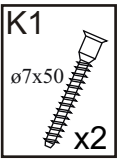
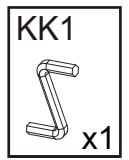
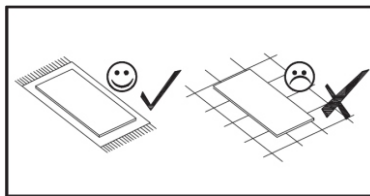
03



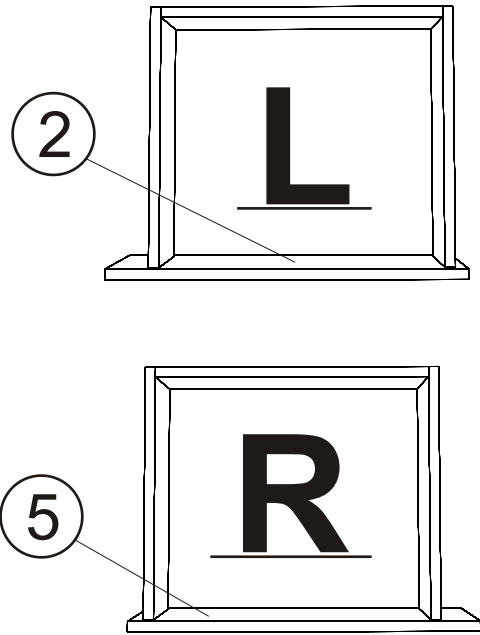
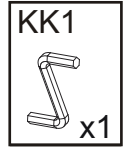
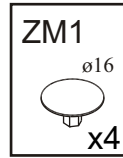
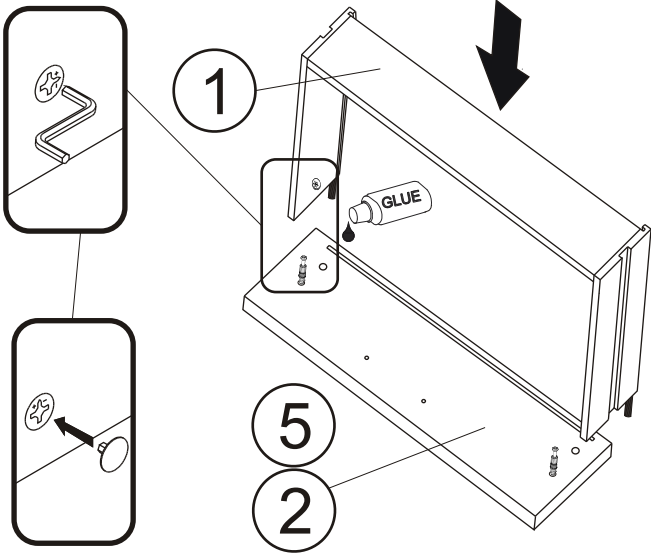
04



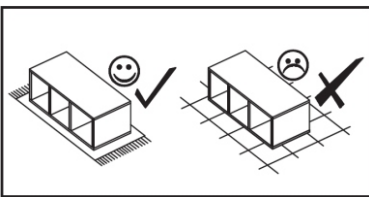
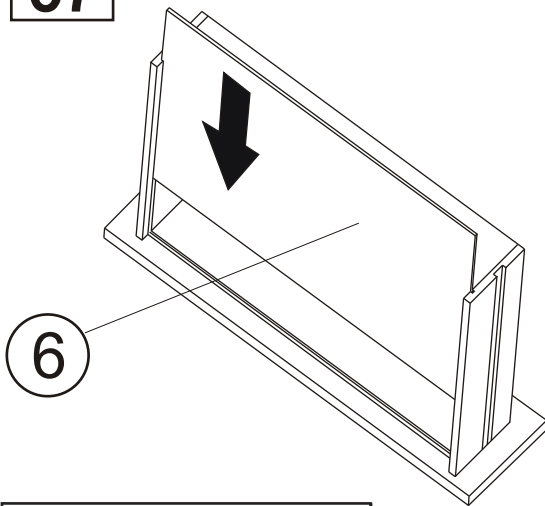
05



06

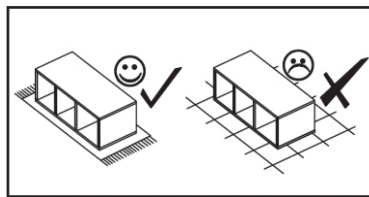
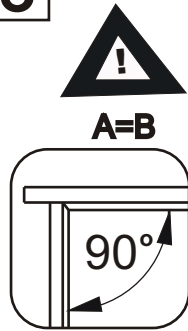


07

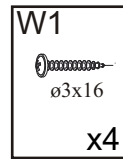
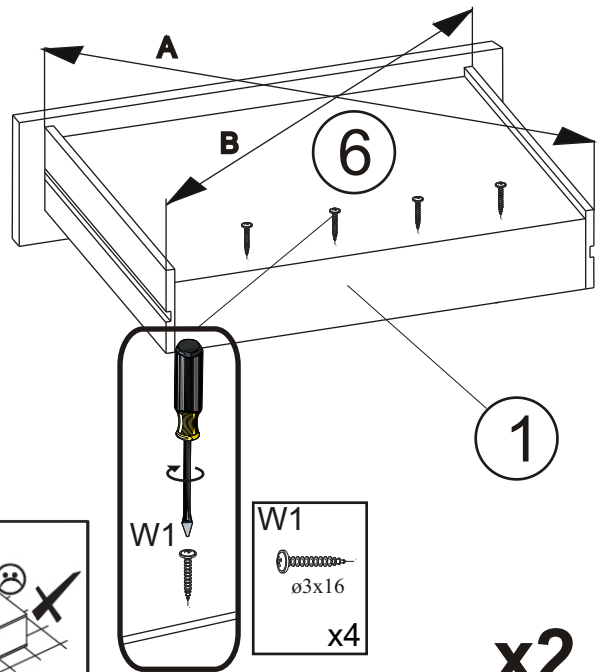


x2

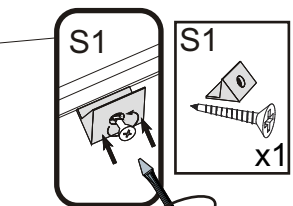
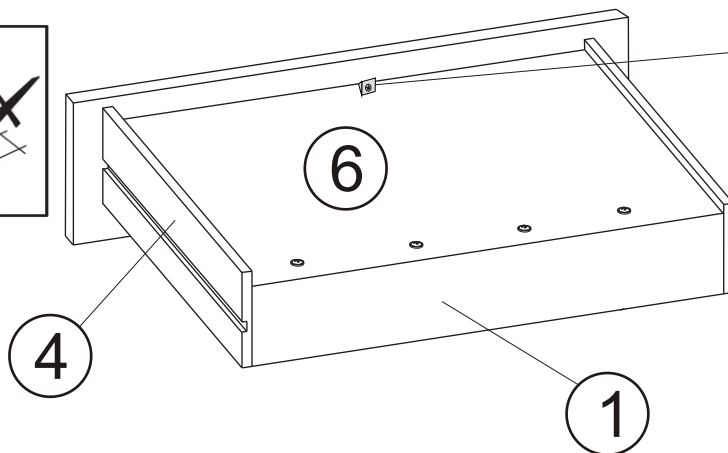
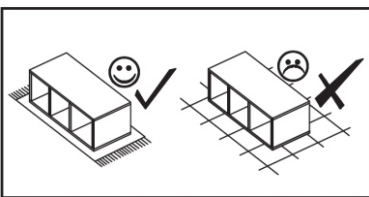
08



x2

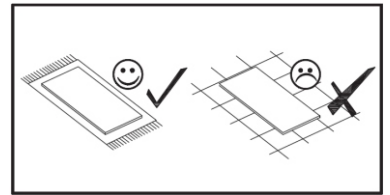
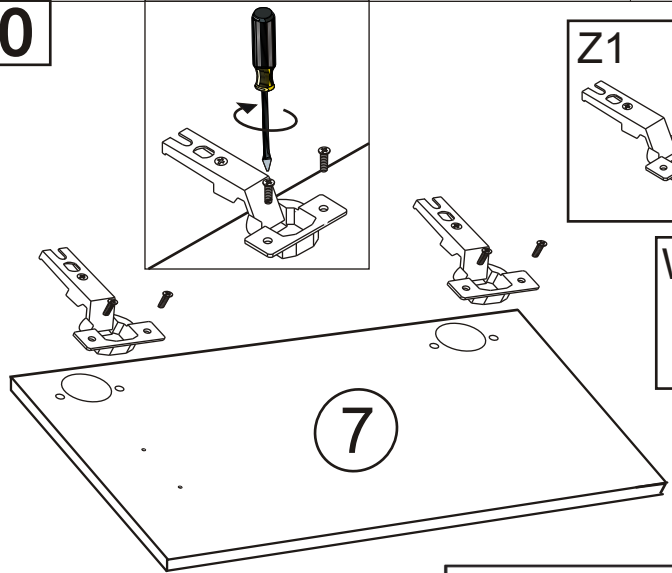
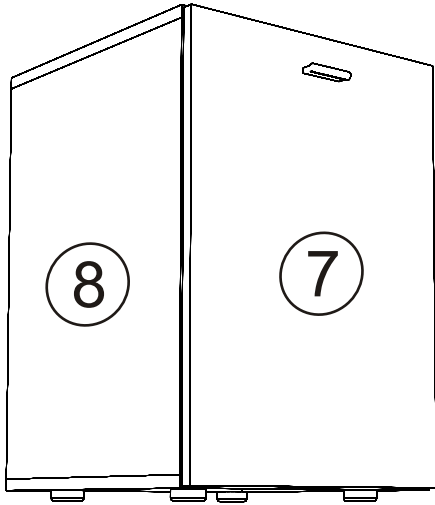


09

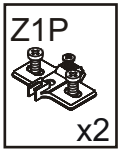
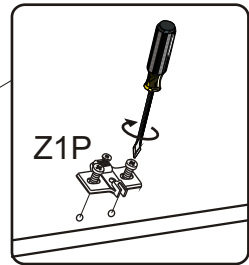
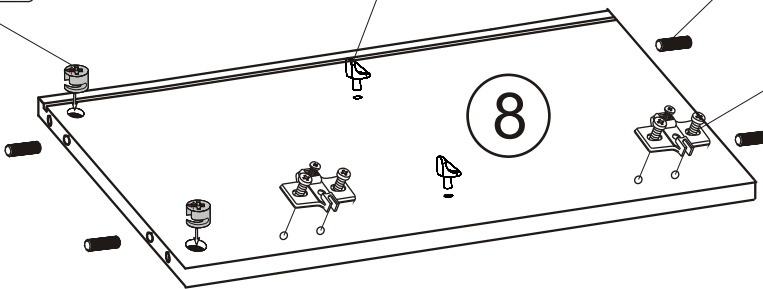
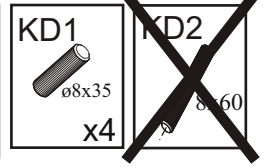
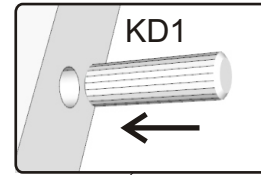
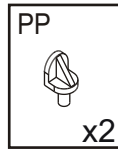
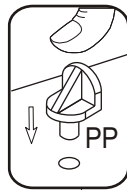
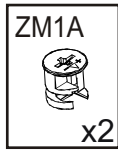
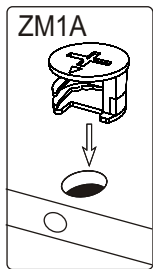


x2

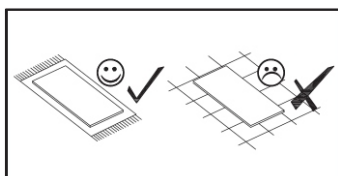
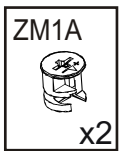
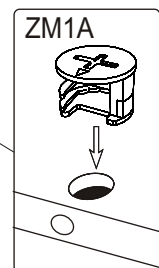
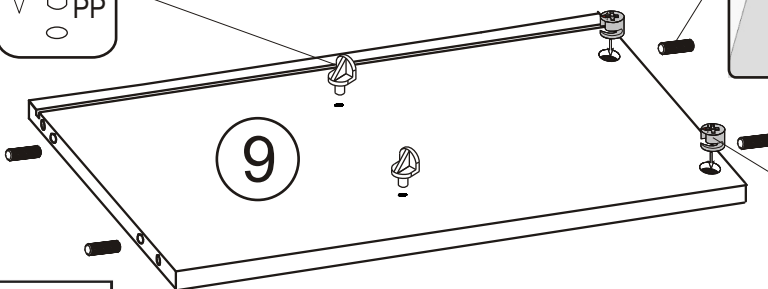
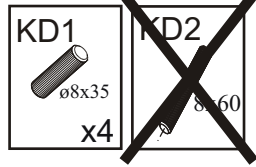
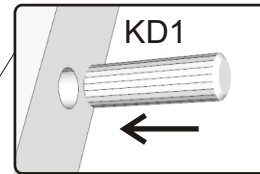
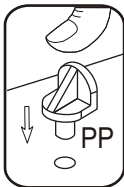
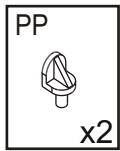
10



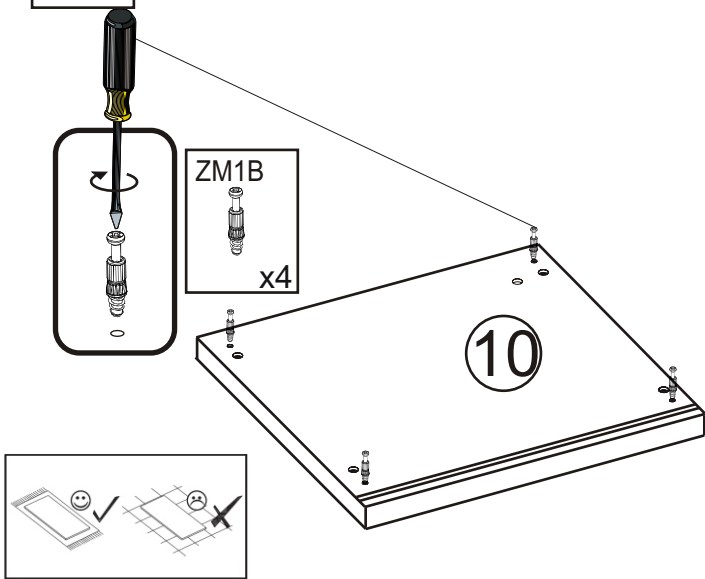
11



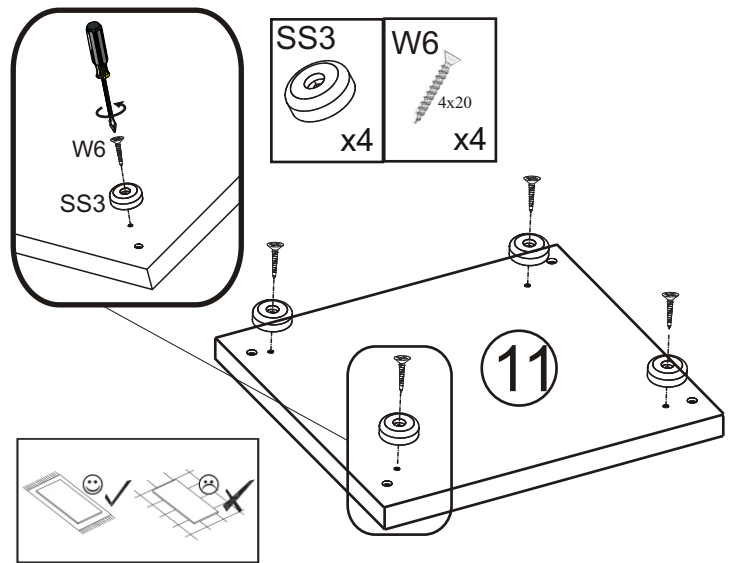
12



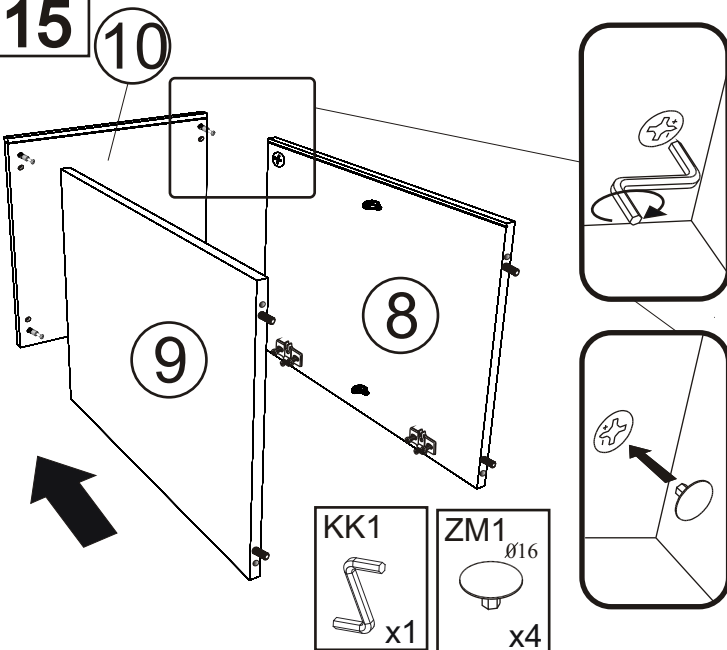
13



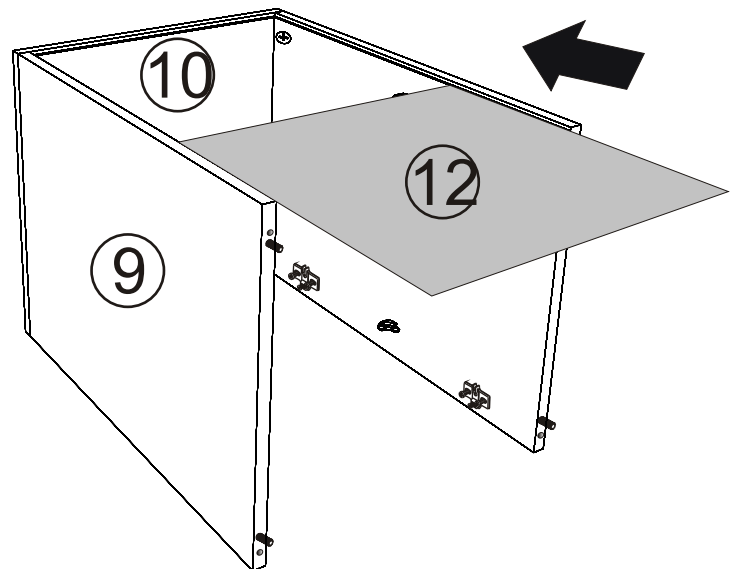
14



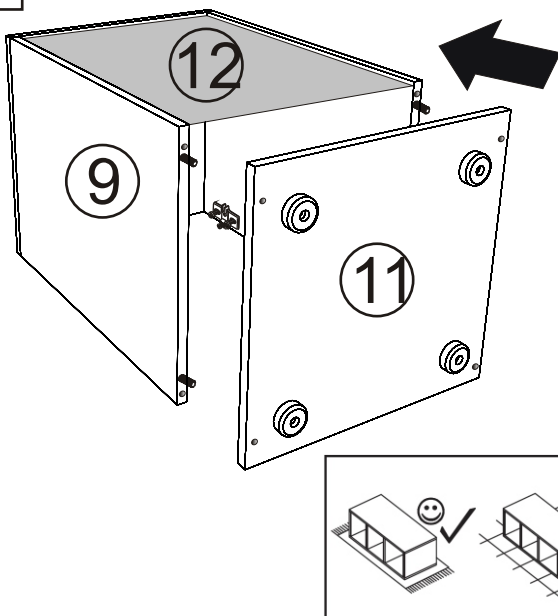
15



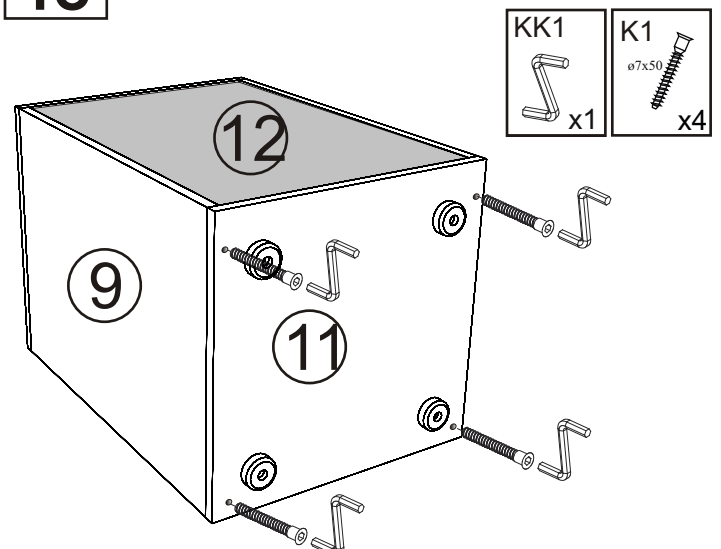
16



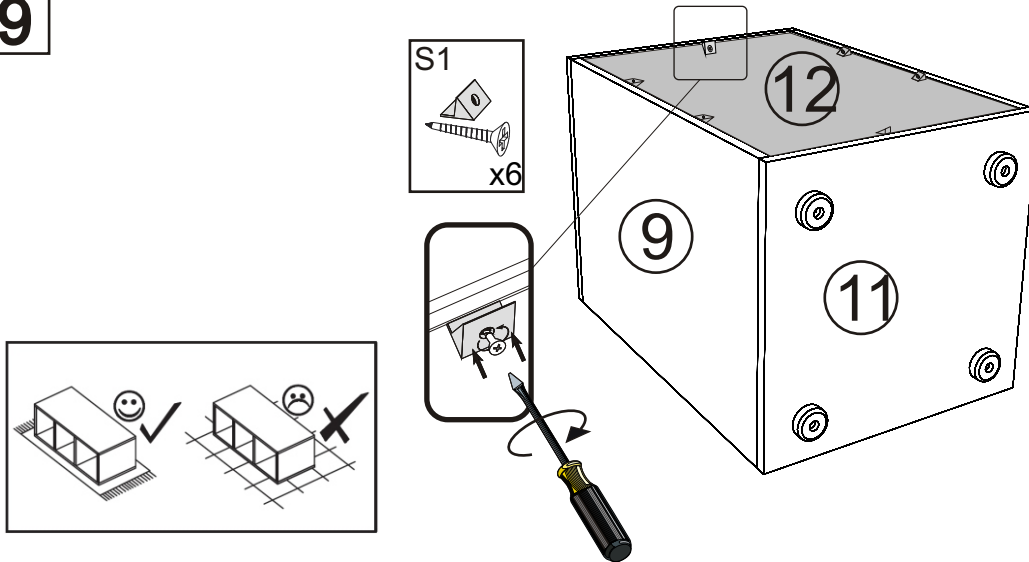
17



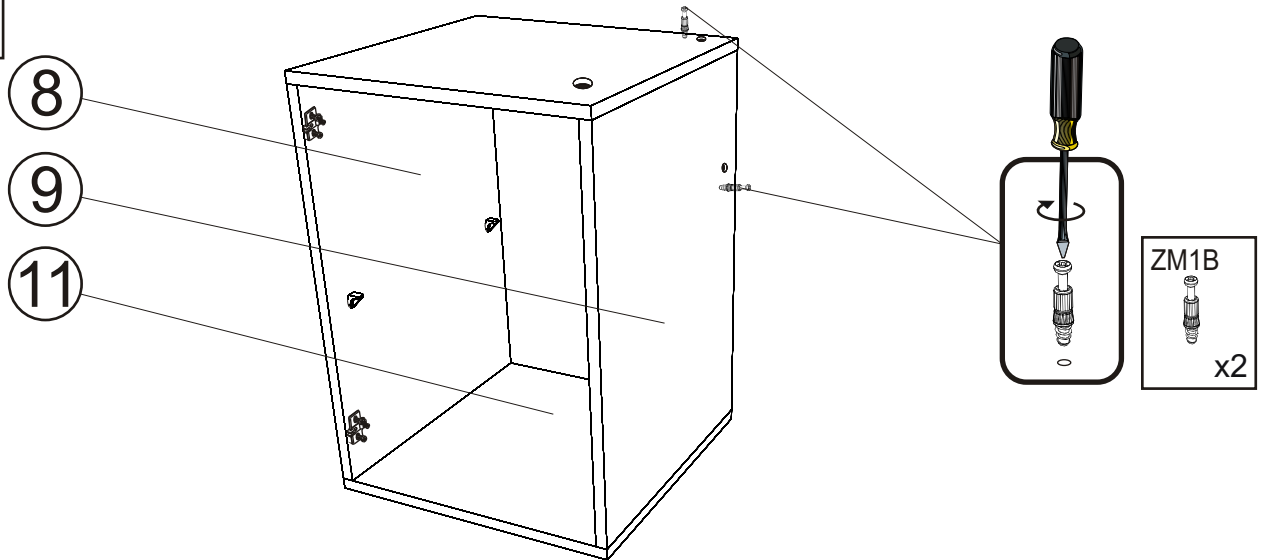
18



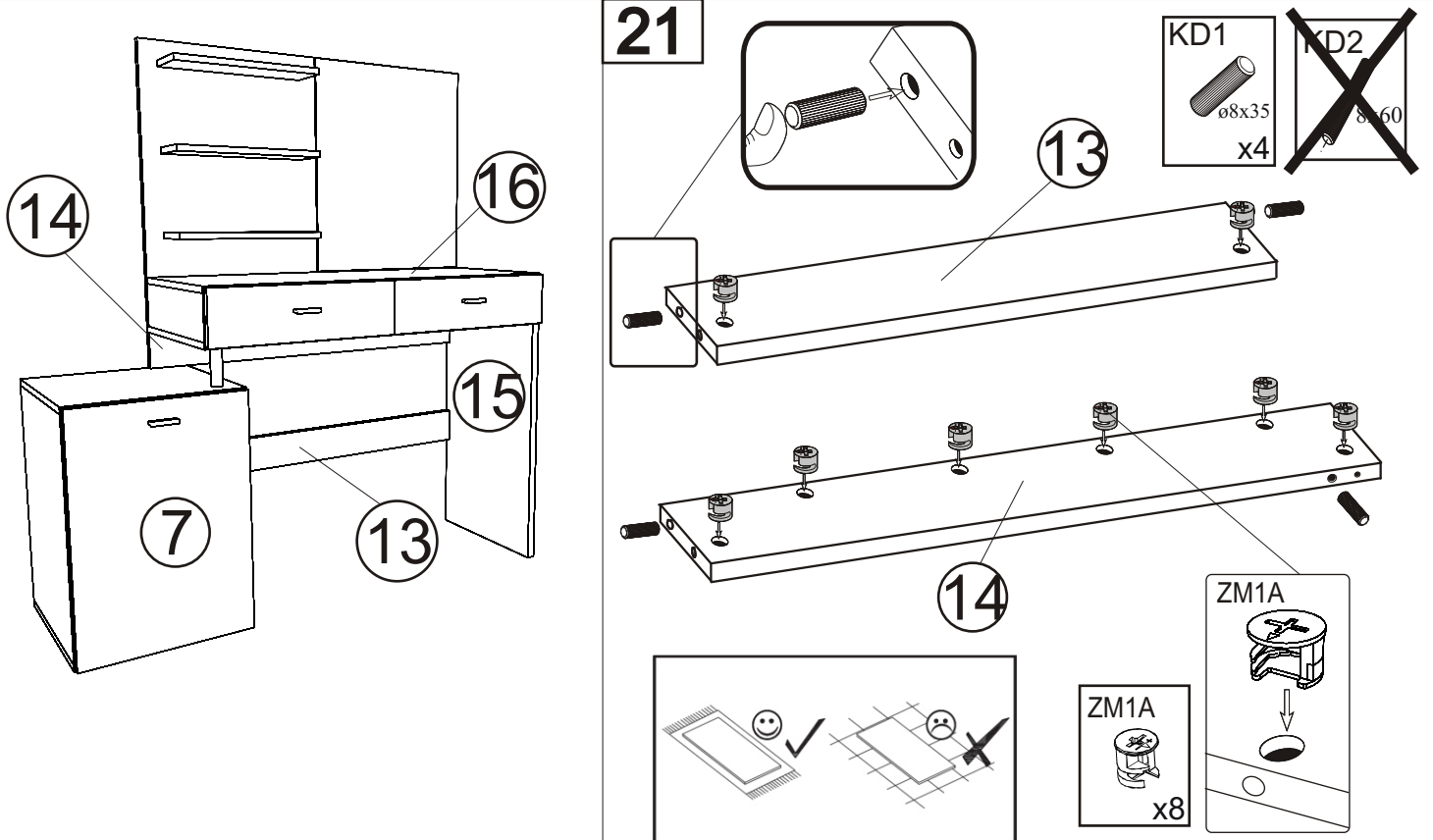
19



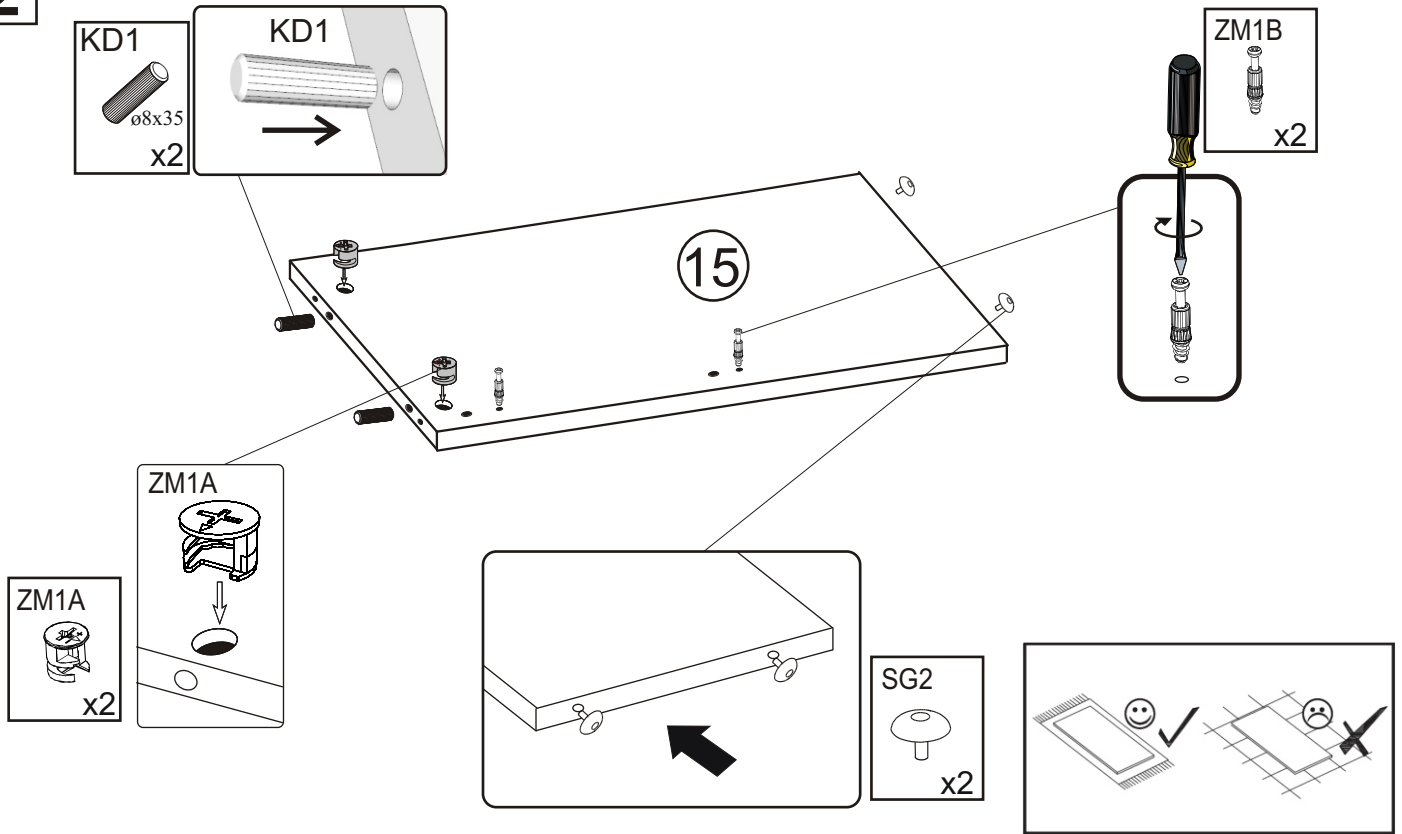
20



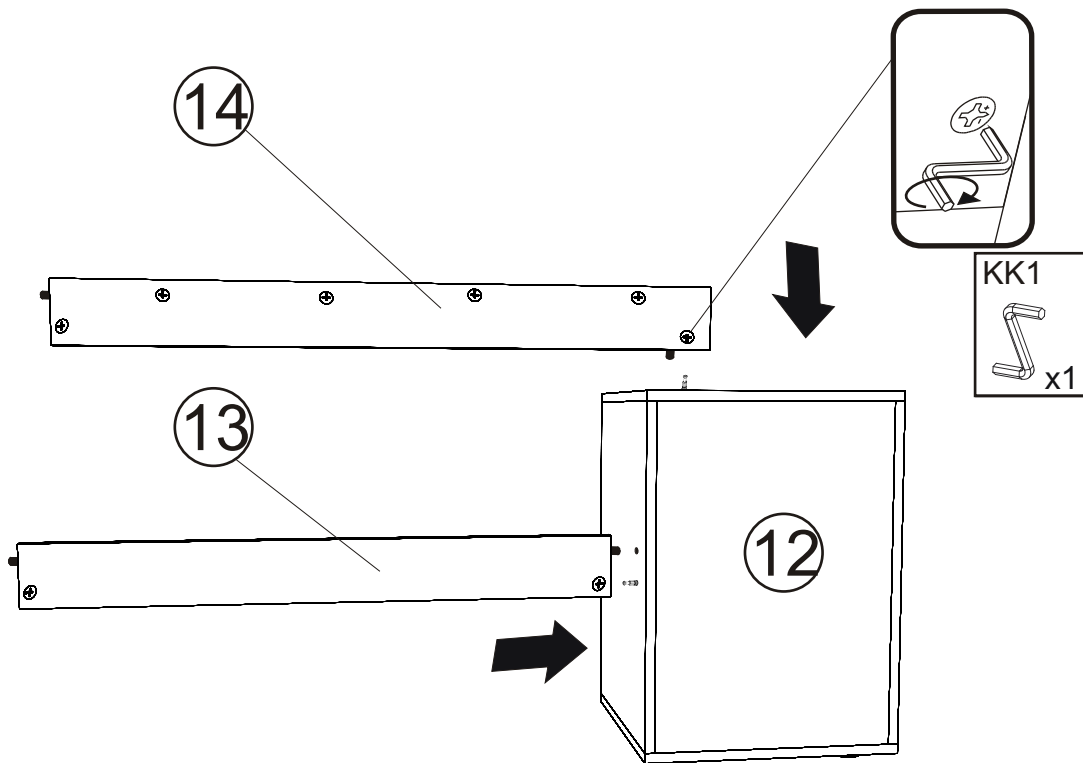
21



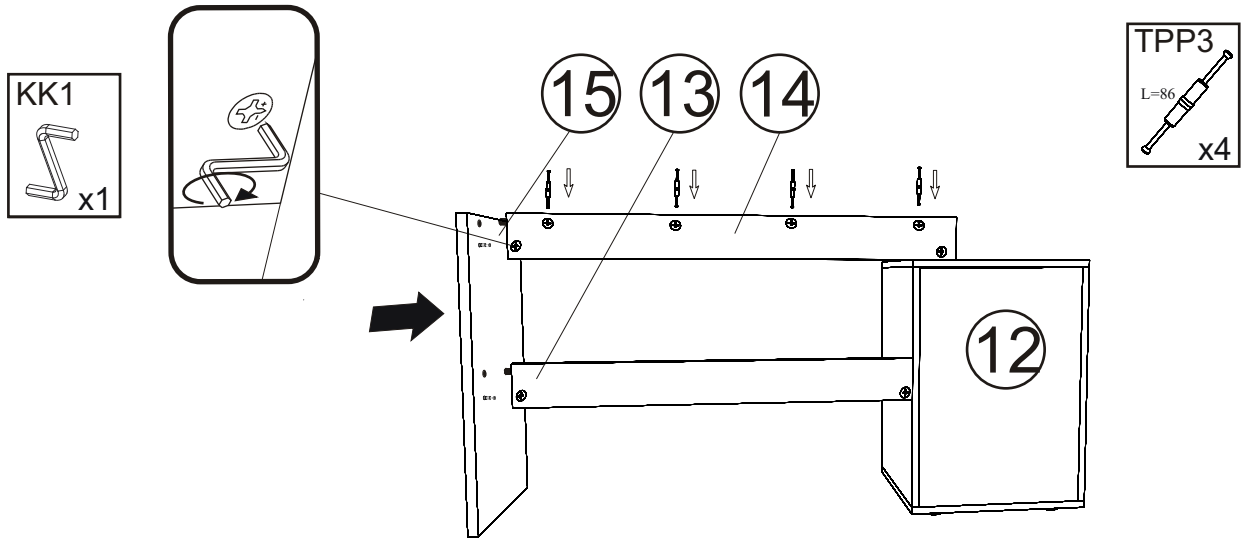
22



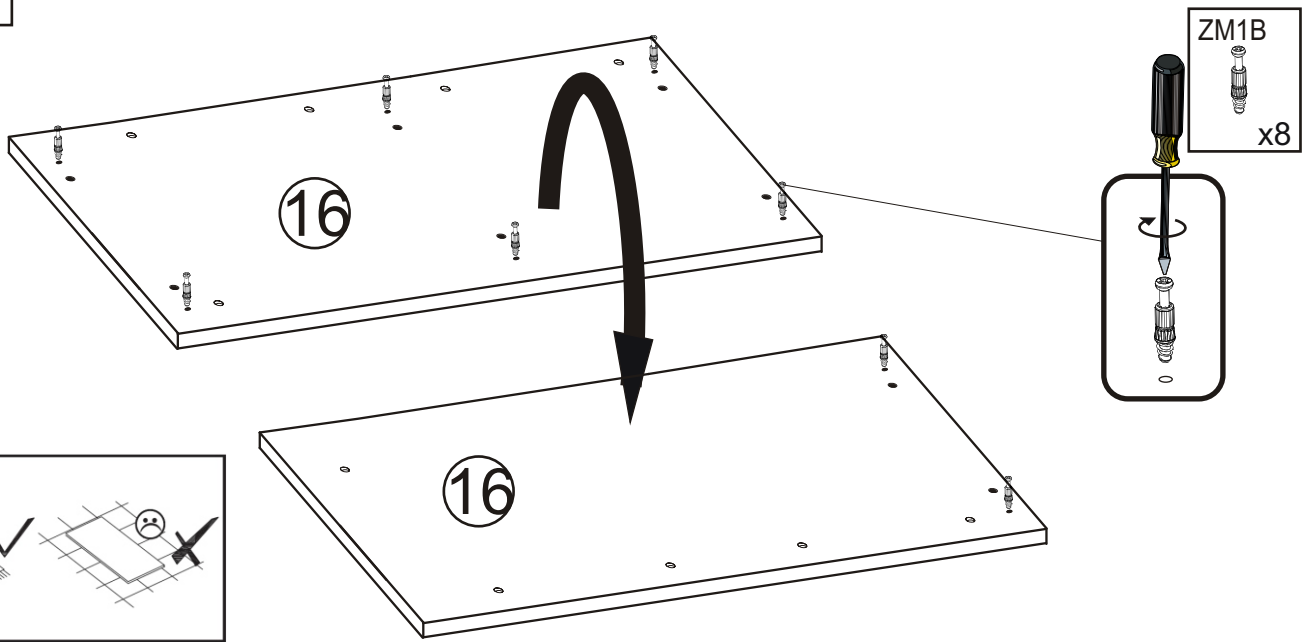
23



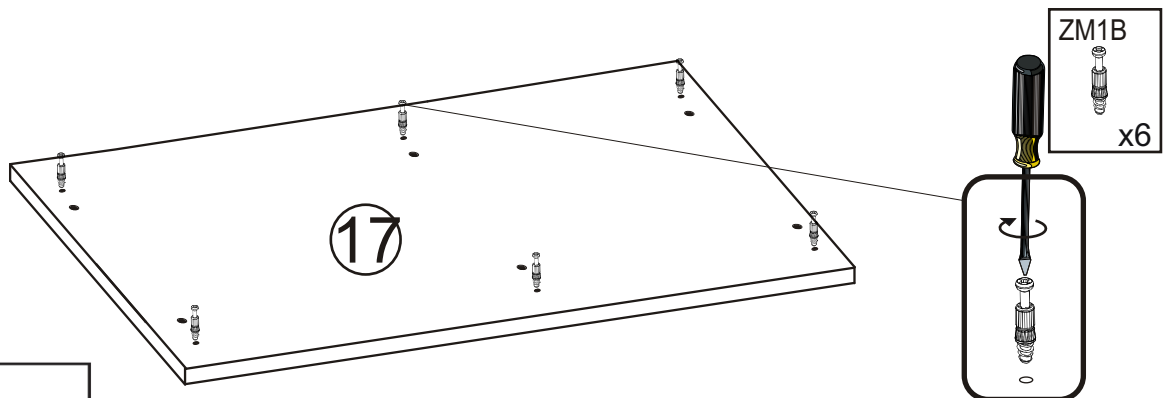
24



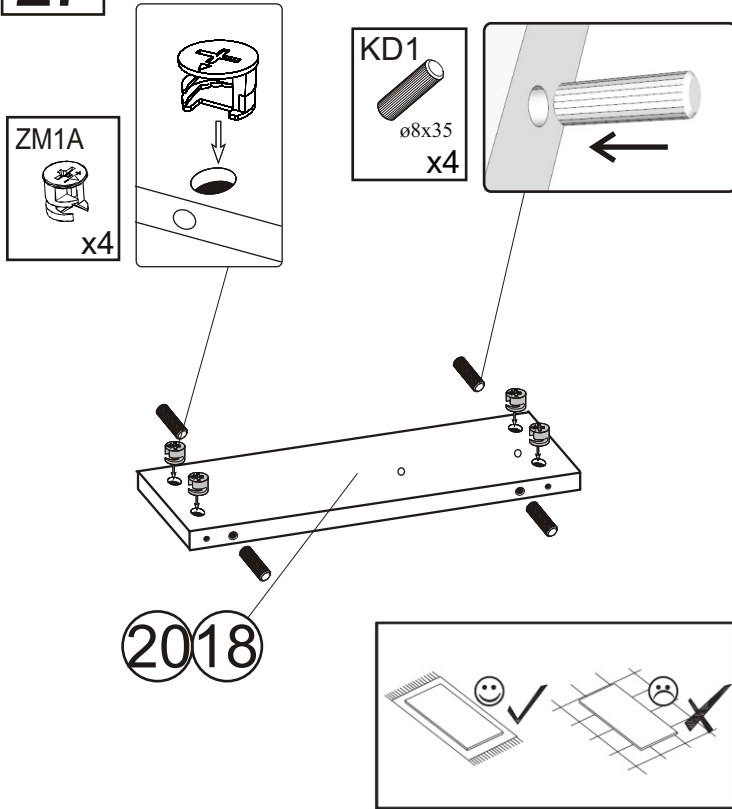
25



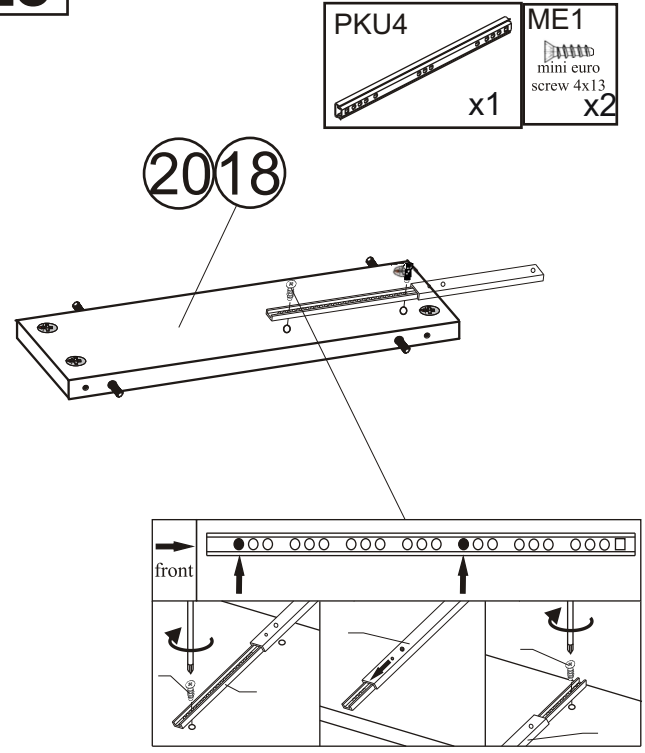
26



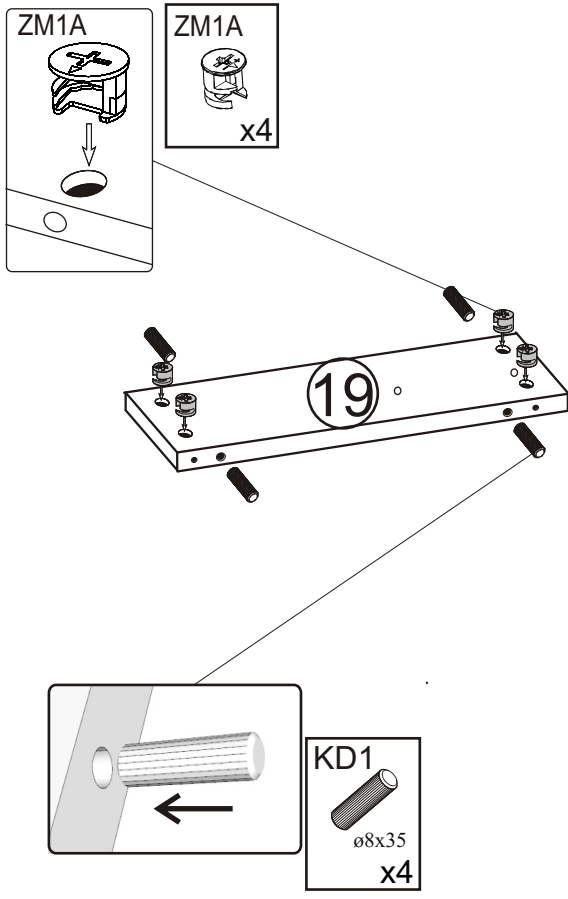
27



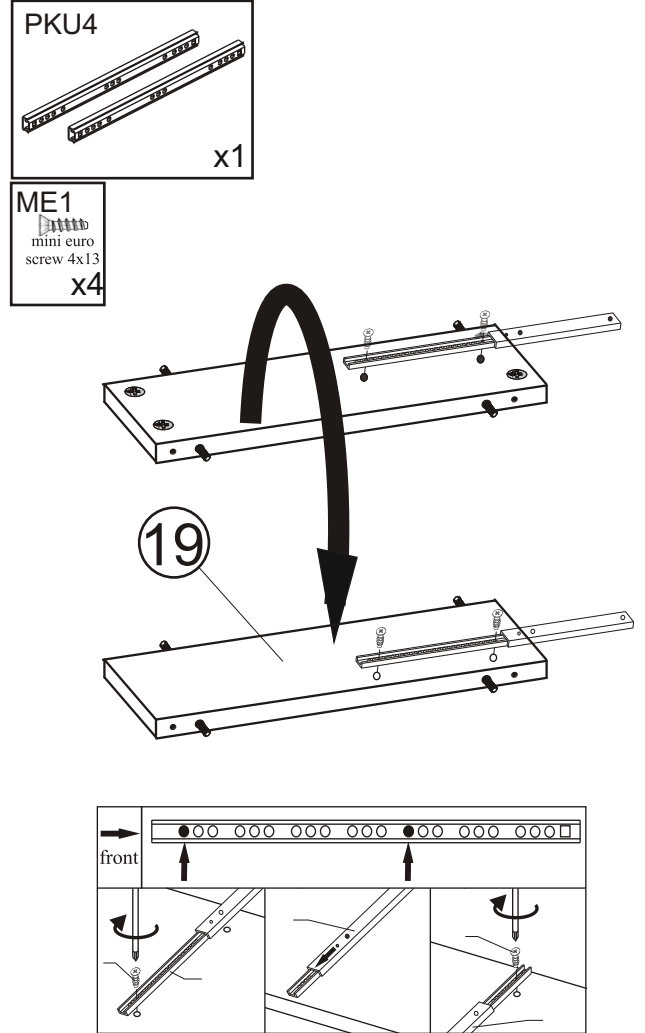
28



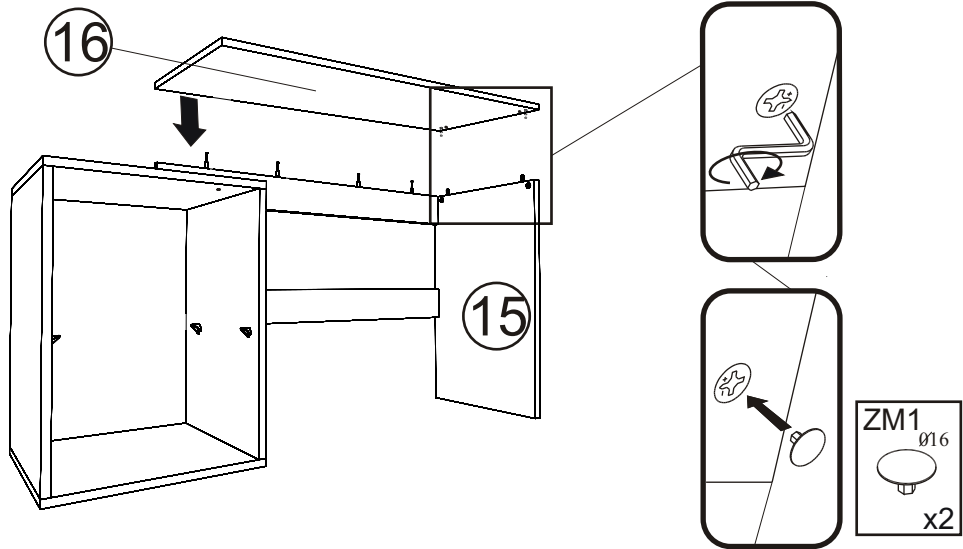
29



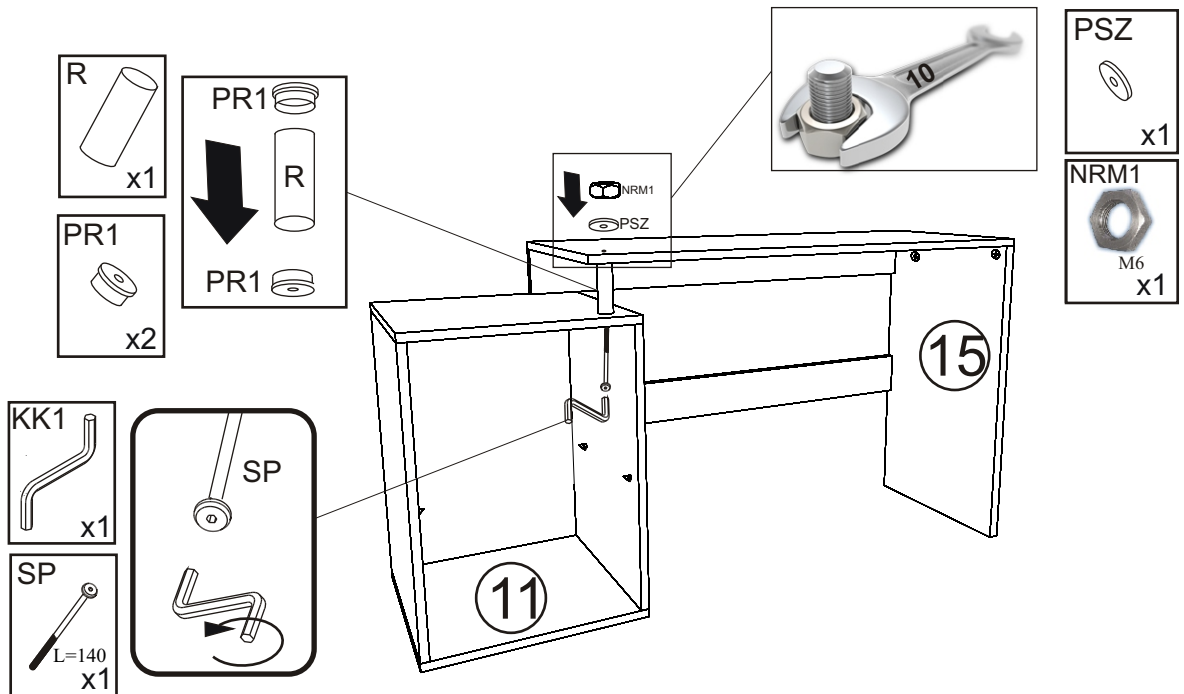
30



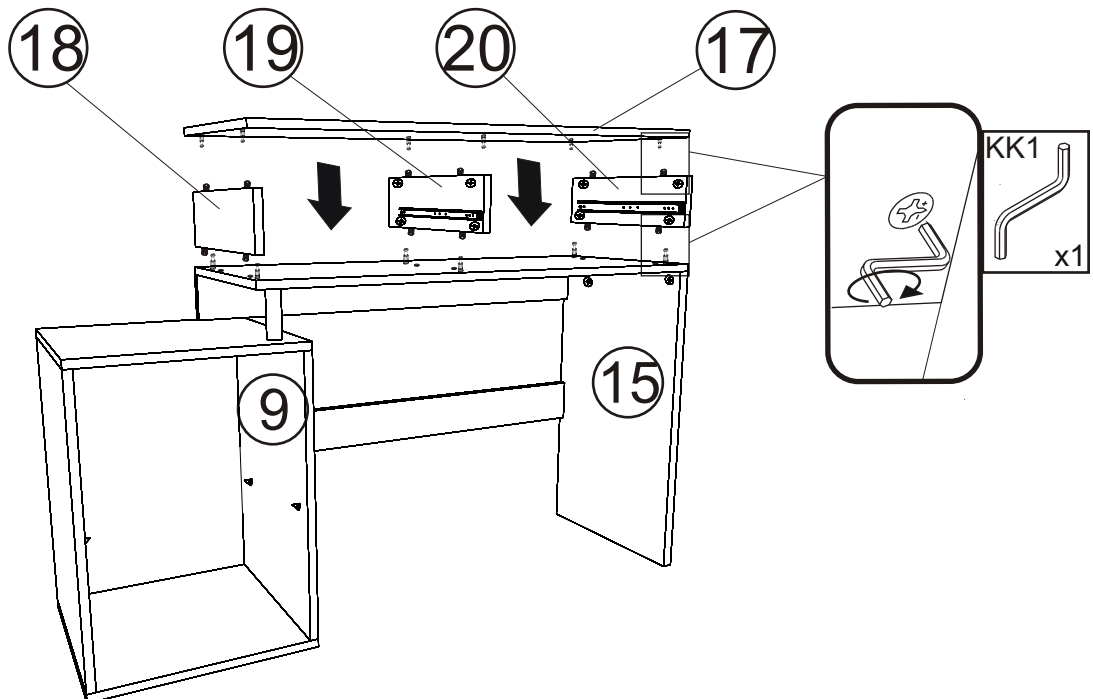
31



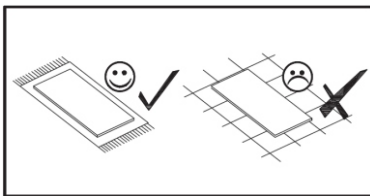
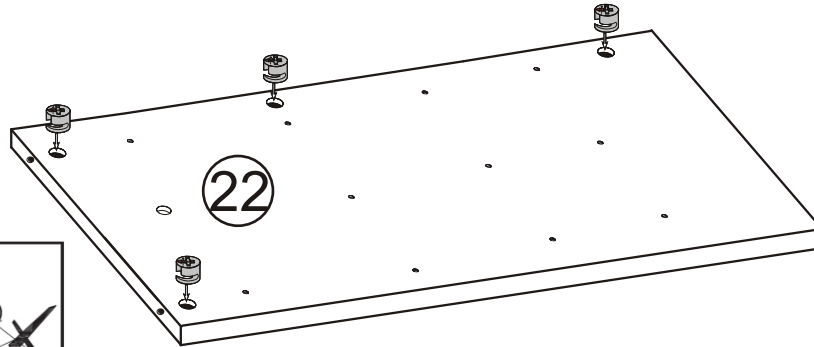
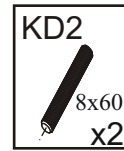
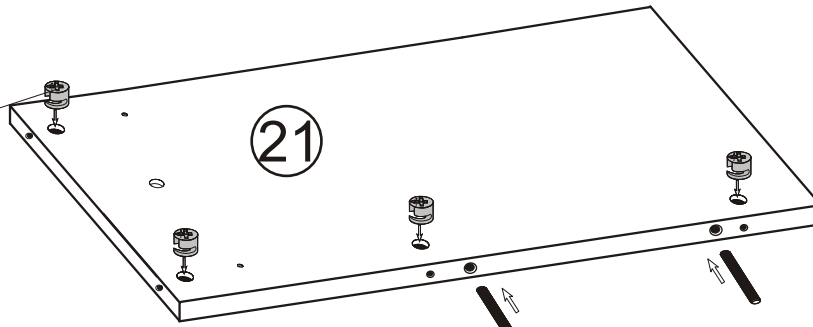
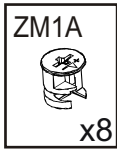
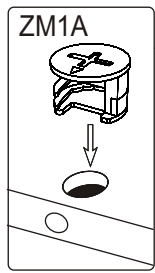
32



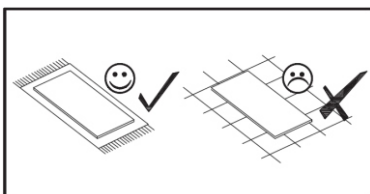
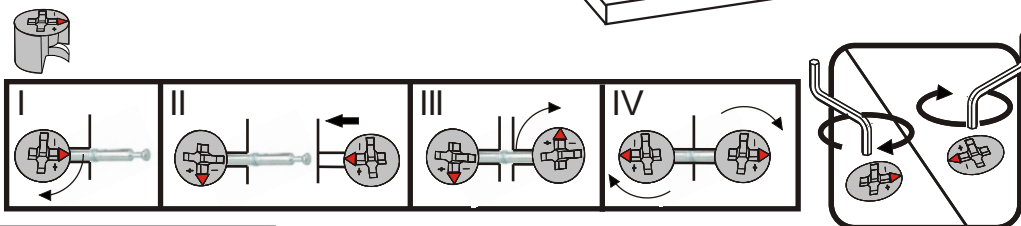
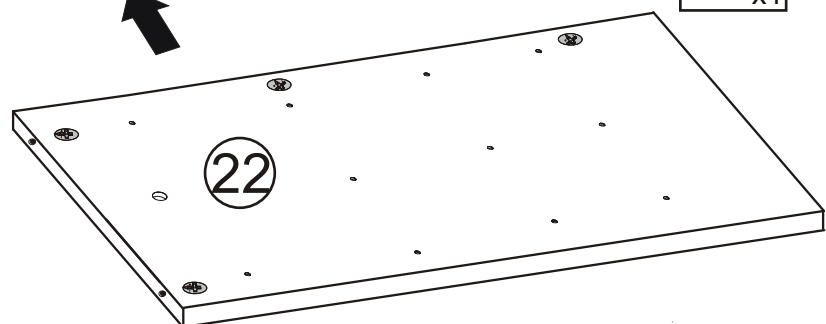
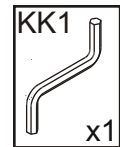
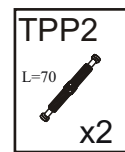
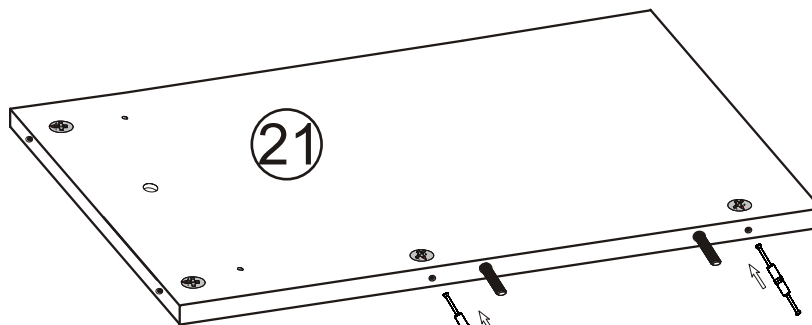
33



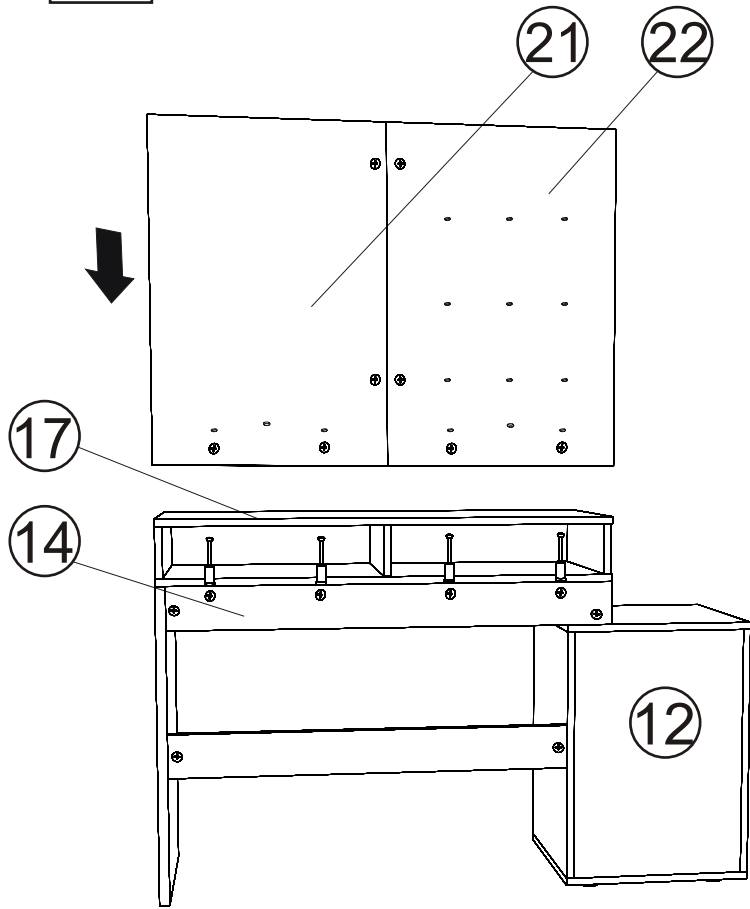
34



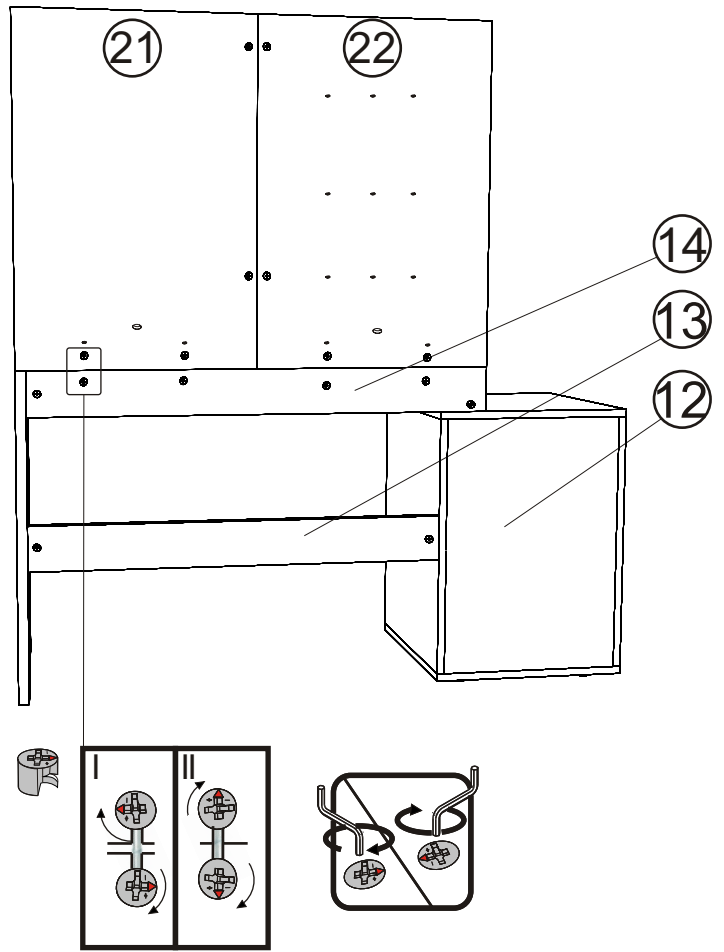
35



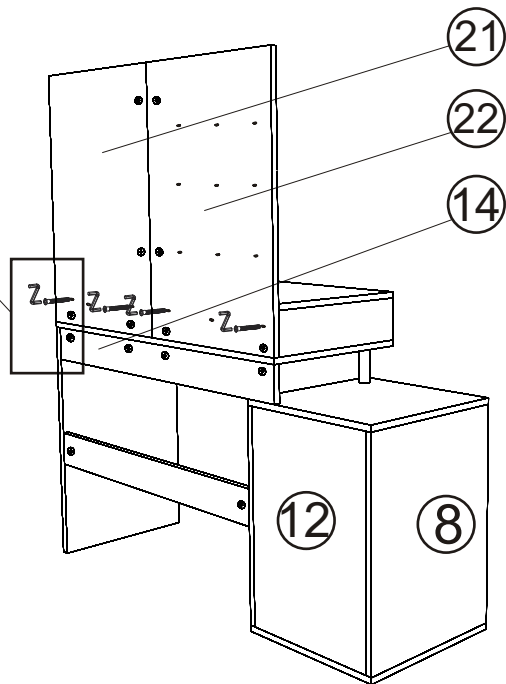
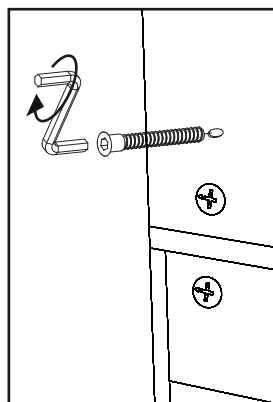
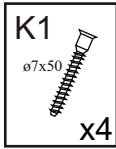
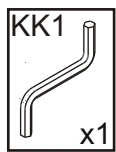
36



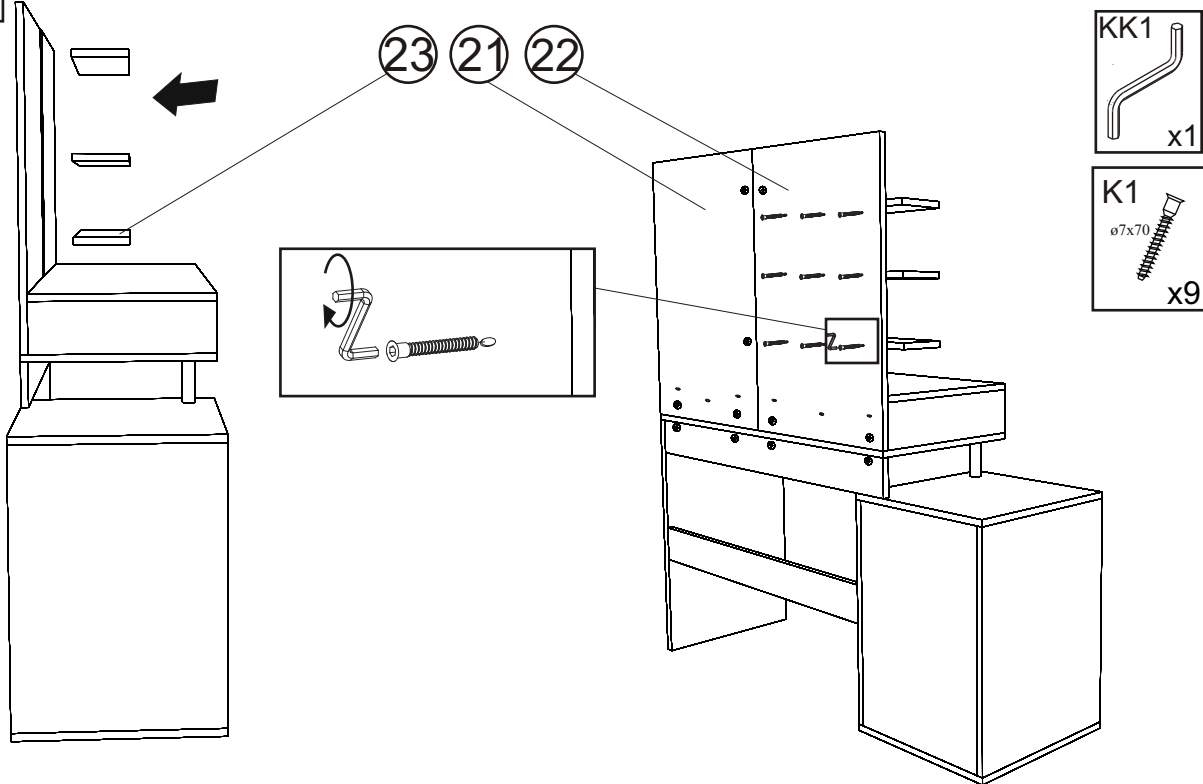
37



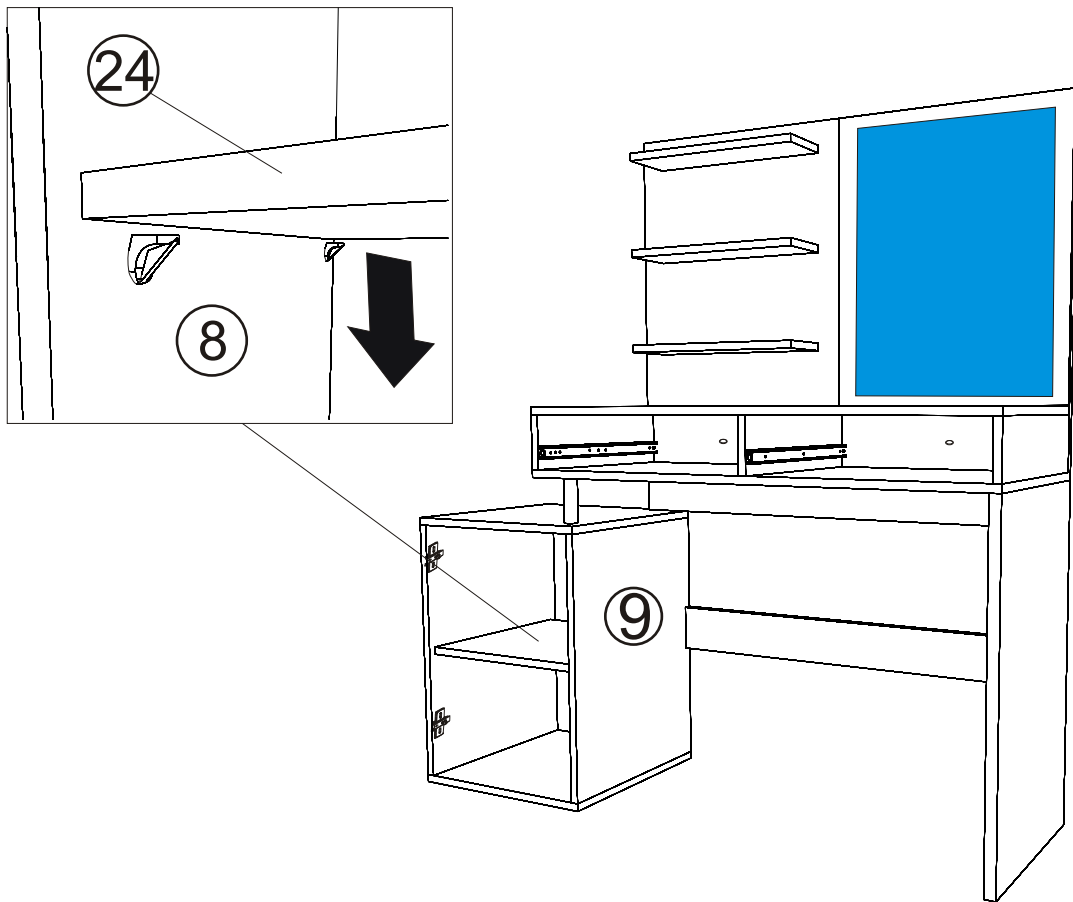
38



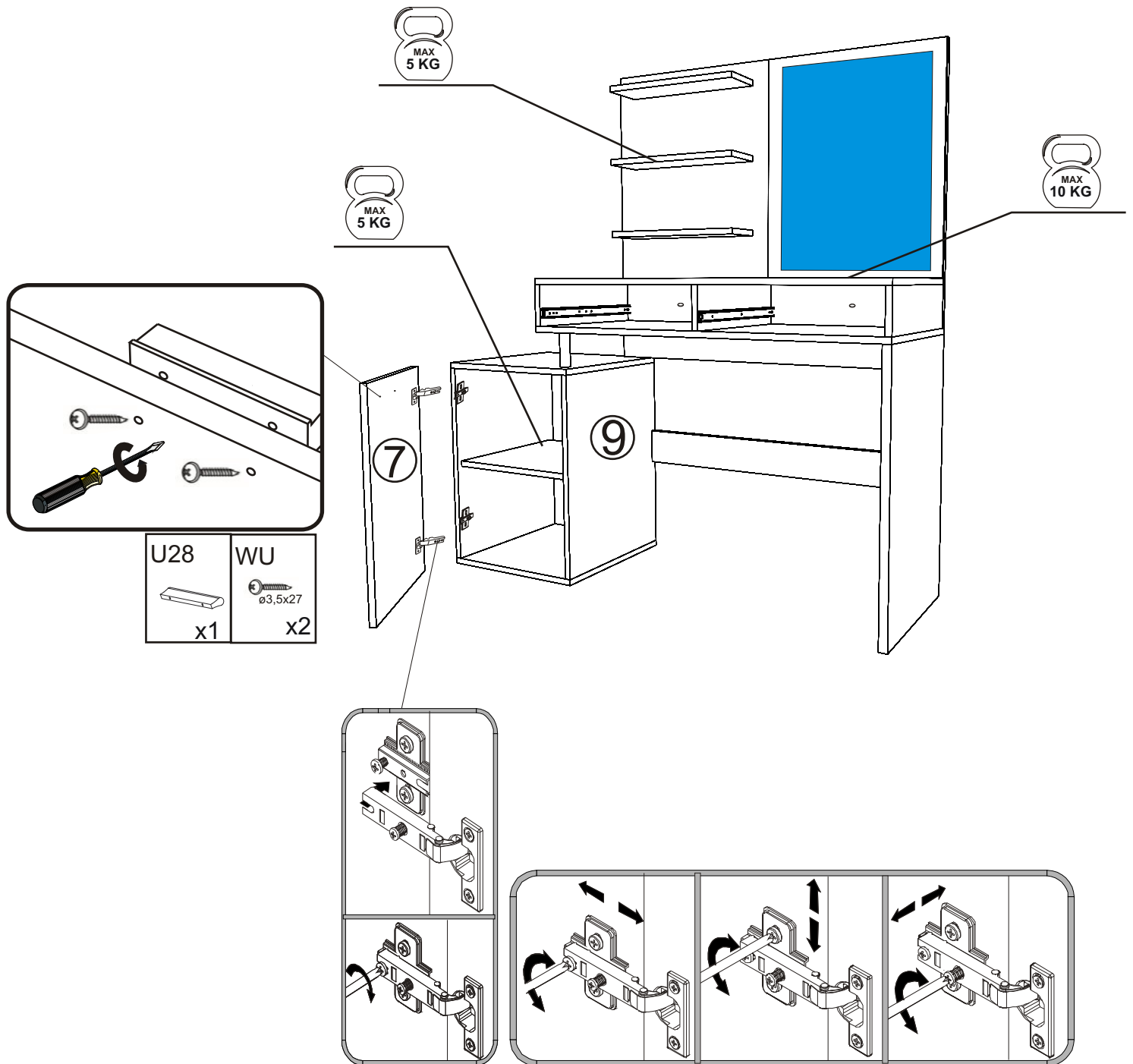
39



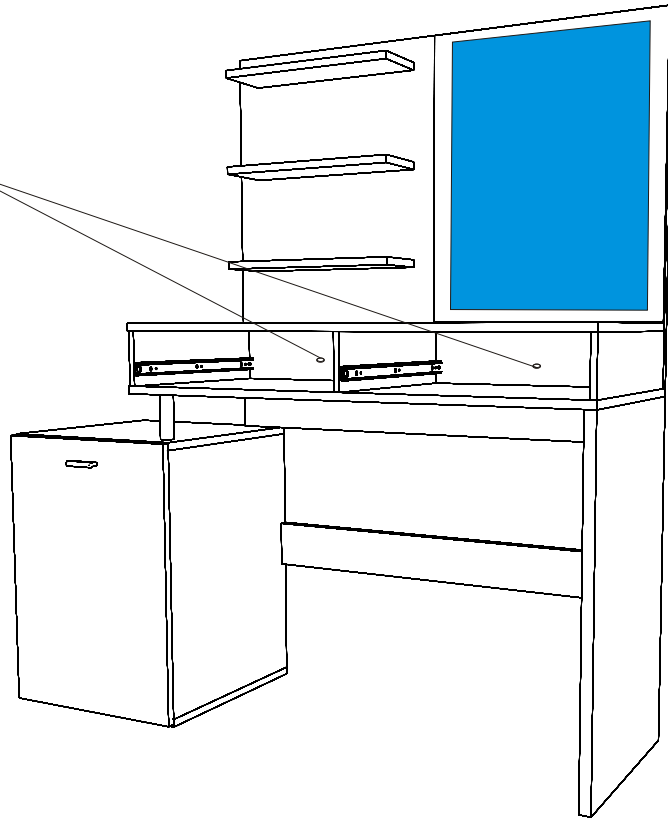
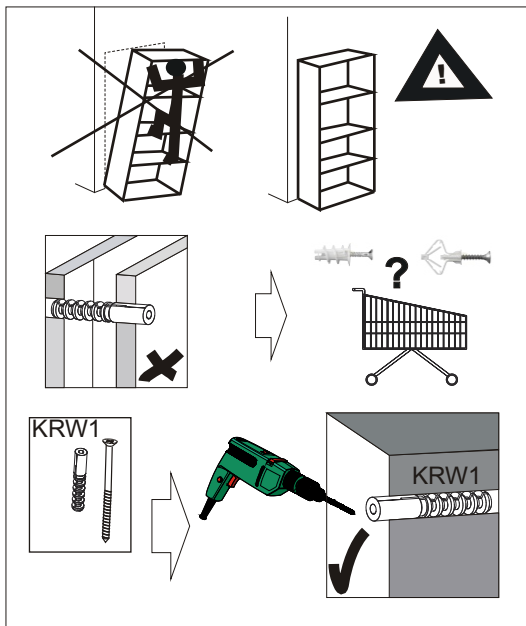
40



41



42



43

