

**EN**

**Instructions for use**

**DE**

**Gebrauchsanweisung**

**FR**

**Mode d'emploi**

**NL**

**Gebruiksaanwijzing**

**IT**

**Manuale per l'uso**

**ES**

**Manual de Uso**

**SL**

**Navodila za uporabo**

**SK**

**Návod na použitie**

**HU**

**Használati utasítás**

**HR**

**Upute za uporabu**

**CS**

**Návod k obsluze**

**DA**

**Brugsanvisninger**

**SV**

**Bruksanvisning**



<b>ENGLISH</b>	Instructions for use	Page 4
<b>DEUTSCH</b>	Gebrauchsanweisung	Seite 22
<b>FRANÇAIS</b>	Mode d'emploi	Page 40
<b>NEDERLANDS</b>	Gebruiksaanwijzing	Pagina 58
<b>ITALIANO</b>	Manuale per l'uso	Pagina 76
<b>ESPAÑOL</b>	Manual de Uso	Página 94
<b>SLOVENŠČINA</b>	Navodila za uporabo	Strani 109
<b>SLOVENSKY</b>	Návod na použitie	Strana 127
<b>MAGYAR</b>	Használati utasítás	141 Oldal
<b>HRVATSKI</b>	Upute za uporabu	Stranica 158
<b>ČESKY</b>	Návod k obsluze	Strana 176
<b>DANSK</b>	Brugsanvisninger	Side 190
<b>SVENSKA</b>	Bruksanvisning	Sidan 205

# SAFETY INSTRUCTIONS

IMPORTANT to be read and observed

Before using the appliance, read these safety instructions. Keep them nearby for future reference.

These instructions and the appliance itself provide important safety warnings, to be observed at all times. The manufacturer declines any liability for failure to observe these safety instructions, for inappropriate use of the appliance or incorrect setting of controls.

⚠ Very young children (0-3 years) should be kept away from the appliance. Young children (3-8 years) should be kept away from the appliance unless continuously supervised. Children from 8 years old and above and persons with reduced physical, sensory or mental capabilities or lack of experience and knowledge can use this appliance only if they are supervised or have been given instructions on safe use and understand the hazards involved.

Children must not play with the appliance. Cleaning and user maintenance must not be carried out by children without supervision.

## PERMITTED USE

⚠ CAUTION: The appliance is not intended to be operated by means of an external switching device, such as a timer, or separate remote controlled system.

⚠ This appliance is intended to be used in household and similar applications such as: staff kitchen areas in shops, offices and other working environments; farm houses; by clients in hotels, motels, bed & breakfast and other residential

environments.

⚠ This appliance is not for professional use. Do not use the appliance outdoors.

⚠ The bulb used inside the appliance is specifically designed for domestic appliances and is not suitable for general room lighting within the home (EC Regulation 244/2009).

⚠ The appliance is designed for operation in places where the ambient temperature comes within the following ranges, according to the climatic class given on the rating plate. The appliance may not work properly if it is left for a long time at a temperature outside the specified range.

## Climatic Class Amb. T. (°C)

SN: From 10 to 32 °C

ST: From 16 to 38 °C;

N: From 16 to 32 °C

T: From 16 to 43 °C



This appliance does not contain CFCs. The refrigerant circuit contains R600a (HC). Appliances with Isobutane (R600a): isobutane is a natural gas without environmental impact, but is flammable. Therefore, make sure the refrigerant circuit pipes are not damaged, especially when emptying the refrigerant circuit.

⚠ WARNING: Do not damage the appliance refrigerant circuit pipes.

⚠ WARNING: Keep ventilation openings, in the appliance enclosure or in the built-in structure, clear of obstruction.

⚠️ **WARNING:** Do not use mechanical, electric or chemical means other than those recommended by the Manufacturer to speed up the defrost process.

⚠️ **WARNING:** Do not use or place electrical devices inside the appliance compartments if they are not of the type expressly authorised by the Manufacturer.

⚠️ **WARNING:** Ice makers and/or water dispensers not directly connected to the water supply must be filled with potable water only.

⚠️ Do not store explosive substances such as aerosol cans and do not place or use gasoline or other flammable materials in or near the appliance.

⚠️ Do not swallow the contents (non-toxic) of the ice packs (provided with some models). Do not eat ice cubes or ice lollies immediately after taking them out of the freezer since they may cause cold burns.

⚠️ For products designed to use an air filter inside an accessible fan cover, the filter must always be in position when the refrigerator is in function.

⚠️ Do not store glass containers with liquids in the freezer compartment since they may break.

Do not obstruct the fan (if included) with food items.

After placing the food check that the door of the compartments closes properly, especially the freezer door.

⚠️ Damaged gaskets must be replaced as soon as possible.

⚠️ Use the refrigerator compartment only for storing fresh food and the freezer compartment only for storing

frozen food, freezing fresh food and making ice cubes.

⚠️ Avoid storing unwrapped food in direct contact with internal surfaces of the refrigerator or freezer compartments.

Appliances could have special compartments (Fresh Food Compartment, Zero Degree Box,...). Unless differently specified in the specific booklet of product, they can be removed, maintaining equivalent performances.



C-Pentane is used as blowing agent in the insulation foam and it is a flammable gas.

## **INSTALLATION**

⚠️ The appliance must be handled and installed by two or more persons - risk of injury. Use protective gloves to unpack and install - risk of cuts.

⚠️ Installation, including water supply (if any), electrical connections and repairs must be carried out by a qualified technician. Do not repair or replace any part of the appliance unless specifically stated in the user manual. Keep children away from the installation site. After unpacking the appliance, make sure that it has not been damaged during transport. In the event of problems, contact the dealer or your nearest Aftersales Service. Once installed, packaging waste (plastic, styrofoam parts etc.) must be stored out of reach of children - risk of suffocation. The appliance must be disconnected from the power supply before any installation operation - risk of electric shock. During installation, make sure the appliance does not damage the power cable - risk of fire or electric shock. Only activate the appliance

when the installation has been completed.

⚠ Be careful not to damage the floors (e.g. parquet) when moving the appliance. Install the appliance on a floor or support strong enough to take its weight and in a place suitable for its size and use. Make sure the appliance is not near a heat source and that the four feet are stable and resting on the floor, adjusting them as required, and check that the appliance is perfectly level using a spirit level. Wait at least two hours before switching the appliance on, to ensure that the refrigerant circuit is fully efficient.

All dimensions and spacing needed for installation of the appliance are in the Installation Instruction booklet.

⚠ **WARNING:** When positioning the appliance, ensure the supply cord is not trapped or damaged.

⚠ **WARNING:** To avoid a hazard due to instability, positioning or fixing of the appliance must be done in accordance with the manufacturer instructions.

It's forbidden to place the refrigerator in such way that the metal hose of gas stove, metal gas or water pipes, or electrical wires are in contact with the refrigerator back wall (condenser coil).

## **ELECTRICAL WARNINGS**

⚠ It must be possible to disconnect the appliance from the power supply by unplugging it if plug is accessible, or by a multi-pole switch installed upstream of the socket in accordance with the wiring rules and the appliance must be earthed

in conformity with national electrical safety standards.

⚠ Do not use extension leads, multiple sockets or adapters. The electrical components must not be accessible to the user after installation. Do not use the appliance when you are wet or barefoot. Do not operate this appliance if it has a damaged power cable or plug, if it is not working properly, or if it has been damaged or dropped.

⚠ If the supply cord is damaged, it must be replaced with an identical one by the manufacturer, its service agent or similarly qualified persons in order to avoid a hazard - risk of electric shock.


⚠ **WARNING:** Do not locate multiple portable socket-outlets or portable power supplies at the rear of the appliance.

## **CLEANING AND MAINTENANCE**

⚠ **WARNING:** Ensure that the appliance is switched off and disconnected from the power supply before performing any maintenance operation; never use steam cleaning equipment - risk of electric shock.

⚠ Do not use abrasive or harsh cleaners such as window sprays, scouring cleansers, flammable fluids, cleaning waxes, concentrated detergents, bleaches or cleansers containing petroleum products on plastic parts, interior and door liners or gaskets. Do not use paper towels, scouring pads, or other harsh cleaning tools.

## DISPOSAL OF PACKAGING MATERIALS

The packaging material is 100% recyclable and is marked with the recycle symbol .

The various parts of the packaging must therefore be disposed of responsibly and in full compliance with local authority regulations governing waste disposal.


## DISPOSAL OF HOUSEHOLD APPLIANCES

This appliance is manufactured with recyclable or reusable materials.

Dispose of it in accordance with local waste disposal regulations.

For further information on the treatment, recovery and recycling of household electrical appliances, contact your local authority, the collection service for household waste or the store where you purchased the appliance. This appliance is marked in compliance with European Directive 2012/19/EU, Waste Electrical and Electronic Equipment (WEEE).

By ensuring this product is disposed of correctly, you will help prevent negative consequences for the environment and human health.

The symbol  on the product or on the accompanying documentation indicates that it should not be treated as domestic waste but must be taken to an appropriate collection centre for the recycling of electrical and electronic equipment.

## ENERGY SAVING TIPS

To guarantee adequate ventilation follow installation instructions.

Insufficient ventilation at the back of the product increases energy consumption and decreases cooling efficiency.

Frequent door opening might cause an increase in Energy Consumption.

The internal temperature of the appliance and the Energy Consumption may be affected also by the ambient temperature, as well as location of the appliance.

Temperature setting should take into consideration these factors. Reduce door opening to a minimum.

When thawing frozen food, place it in the refrigerator. The low temperature of the frozen products cools the food in the refrigerator.

Allow warm food and drinks to cool down before placing in the appliance.

Positioning of the shelves in the refrigerator has no impact on the efficient usage of energy. Food should be placed on the shelves in such way to ensure proper air circulation (food should not touch each other and distance between food and rear wall should be kept).

You can increase storage capacity of frozen food by removing baskets and, if present, Stop Frost shelf.

Do not worry about noises coming from the compressor which are normal operation noises.

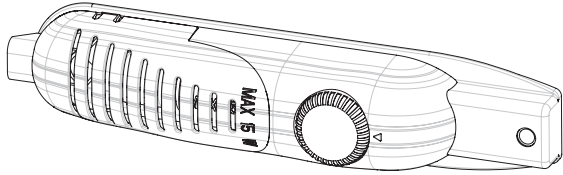


The Gulf Conformity Marking on the product indicates the conformity with all the requirements of the Gulf Technical Regulation for Low Voltage Electrical Equipment and Appliances BD-142004-01.

# HOW TO OPERATE THE APPLIANCE

## Thermostat setting

- The thermostat automatically regulates the inside temperature of the fridge. By rotating the knob from position 1 to 5, colder temperatures can be obtained.
- The “.” position shows thermostat is closed and no cooling will take place.
- For short-term storage of food in the fridge, you can set the knob between minimum and medium positions (1-3).
- For long-term storage of food in the fridge, you can set knob to the medium position (3-4).



**Note that:** The ambient temperature, temperature of the freshly stored food and how often the door is opened, affects the temperature in the fridge. If required, change the temperature setting.

- When you first switch on the appliance, you should ideally try to run it without any food in for 24 hours and not open the door. If you need to use it straight away, try not to store a large quantity of food inside it.
- If the unit is switched off or unplugged, you must allow at least 5 minutes before restarting in order not to damage the compressor.
- LARDERS (without star rating): Larders (coolers) do not have a freezer compartment but can cool down to 4 - 6°C.

## Warnings about temperature adjustments

- It is not recommended that you operate your fridge in environments colder than 10°C in terms of its efficiency.
- Temperature adjustments should be made according to the frequency of door openings and the quantity of food kept inside the fridge.
- Your fridge should be operated up to 24 hours according to the ambient temperature without interruption after being plugged in to be completely cooled. Do not open doors of your fridge frequently and do not place much food inside it in this period.
- A 5 minute delaying function is applied to prevent damage to the compressor of your fridge, when you take the plug off and then plug it on again to operate it or when an energy breakdown occurs. Your fridge will start to operate normally after 5 minutes.
- Your fridge is designed to operate in the ambient temperature intervals stated in the standards, according to the climate class stated in the information label. We do not recommend operating your fridge out of stated temperatures value limits in terms of cooling effectiveness.
- This appliance is designed for use at an ambient temperature within the 16°C - 32°C range.



# FOOD STORAGE IN THE APPLIANCE

- The fridge is used for storing fresh food for few days.
- Do not place food in direct contact with the rear wall of the refrigerator. Leave some space around food to allow the circulation of air.
- Do not place hot food or evaporating liquid in the refrigerator.
- Always make sure food is wrapped or stored in closed containers.
- To reduce humidity and avoid formation of frost, never place liquids in unsealed containers in the refrigerator.
- We recommend that you loosely wrap meat and store it on the glass shelf just above the vegetable bin, where the air is cooler.
- Store fruit and vegetable items loose in the crisper containers.
- To prevent the cold air escaping, try not to open the door too often, and not leave the door open for a long time.

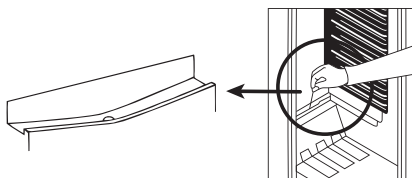
# CLEANING AND MAINTENANCE

- Disconnect the unit from the power supply before cleaning.
- Do not clean the appliance by pouring water.
- Make sure that no water enters the lamp housing and other electrical components.
- The refrigerator should be cleaned periodically using a solution of bicarbonate of soda and lukewarm water.
- Clean the accessories separately with soap and water Do not clean them in the dishwasher.
- Do not use abrasive products, detergents or soaps. After washing, rinse with clean water and dry carefully. When you have finished cleaning, reconnect the plug to the mains supply with dry hands.
- Clean the condenser with a broom at least twice a year. This will help you to save on energy costs and increase productivity.

## THE POWER SUPPLY MUST BE DISCONNECTED.

### Defrosting

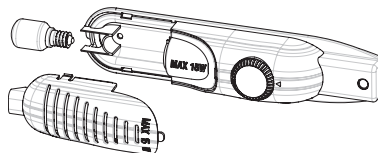
- Defrosting occurs automatically in the fridge during operation; the water is collected by the evaporation tray and evaporates automatically.
- The evaporation tray and the water drain hole should be cleaned periodically with the defrost drain plug to prevent the water from collecting at the bottom of the fridge instead of flowing out.
- You can also clean the drain hole by pouring  $\frac{1}{2}$  glass of water down it.



### Replacing the light bulb

When replacing the bulb of the fridge;

1. Unplug the unit from the power supply,
2. Press the hooks on the sides of the light cover top and remove the light cover
3. Change the present light bulb with a new one of not more than 15 W.
4. Replace the light cover and after waiting 5 minutes plug the unit.



### Replacing LED Lighting

If your fridge has LED lighting contact the help desk as this should be changed by authorized personnel only.

# TRANSPORTATION AND CHANGING OF INSTALLATION POSITION

## Transportation and changing of Installation position

- The original packages and foamed polystyrene (PS) can be retained if required.
- During transportation, the appliance should be secured with a wide string or a strong rope. The instructions written on the corrugated box must be followed while transporting.
- Before transporting or changing the installation position, all the moving objects (ie,shelves,crisper...) should be taken out or fixed with bands in order to prevent them from getting damaged.

**Carry your fridge in the upright position.**

# BEFORE CALLING YOUR AFTER SALES SERVICE

If your fridge is not working properly, it may be a minor problem, therefore check the following.

## **The appliance does not operate,**

### **Check if:**

- There is a power failure.
- The mains plug is not plugged in properly, or is loose.
- The thermostat setting is on position "".
- The socket is defective. To check this, plug in another appliance that you know is working into the same socket.

## **The appliance performs poorly,**

### **Check if:**

- You have overloaded the appliance.
- The door is not closed properly.
- There are not enough ventilation ducts in the kitchen unit as mentioned in the installation manual.

## **If there is noise:**

The cooling gas which circulates in the fridge circuit may make a slight noise (bubbling sound) even when the compressor is not running. Do not worry, this is quite normal. If you hear different sounds, check if:

- The appliance is installed firmly as described in the installation manual.
- Objects on the appliance are vibrating.

## **If there is water in the lower part of the fridge,**

### **Check if:**

- The drain hole for water is not clogged (use defrost drain plug to clean the drain hole).

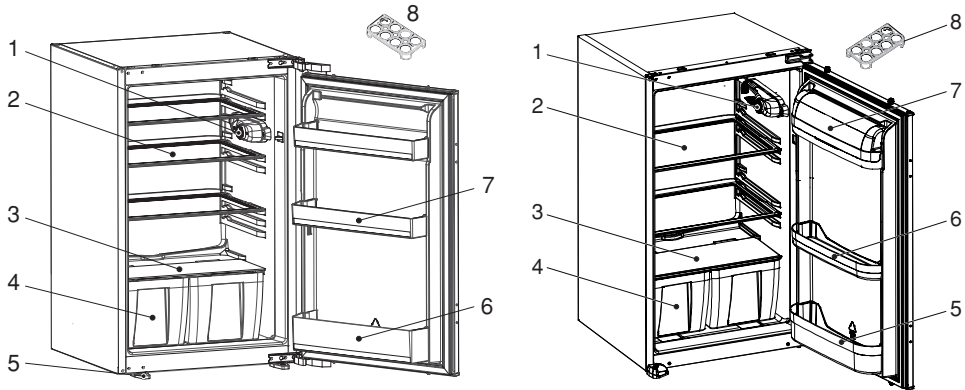
## **Recommendations**

- When there is no power, to prevent any damage to the compressor, you should unplug the refrigerator. You should delay plugging in 5 – 10 minutes after power is restored.
- If you unplug the refrigerator for any reason you should wait at least 5 min to replug. This will avoid damage to the refrigerator's components.
- The cooling unit of your refrigerator is hidden at the rear of the appliance. Therefore, water droplets or icing may form on the rear surface of your fridge due to the operation of the compressor at specified intervals. This is normal, there is no need to perform a defrosting operation unless the icing is excessive.
- If you do not intend to use your fridge for a long time (e.g. in summer holidays), turn the thermostat to the «.» position. After defrosting, clean your fridge and leave the door open to prevent humidity and smells.
- If the problem persists after you have followed all the instructions above, please consult to the nearest Authorised Service Centre.
- The appliance you have purchased is designed for domestic use and can only be used at home and for the stated purposes. It is not suitable for commercial or common use. If the consumer uses the appliance in a way that does not comply with this, we emphasise that the manufacturer and the dealer will not be responsible for any repair and failure within the guarantee period.

## **Tips for saving energy**

1. Install the appliance in a cool, well ventilated room , but not in direct sunlight and not near a heat source (radiator, cooker ... etc). Otherwise use an insulating plate.
2. Allow warm food and drinks to cool down outside the appliance.
3. Cover drinks or other liquids when placing them in the appliance Otherwise humidity increases in the appliance. Therefore, the working time gets longer. Also covering drinks and other liquids helps to preserve smell and taste.
4. Try to avoid keeping the doors open for long periods or opening the doors too frequently as warm air will enter the cabinet and cause the compressor to switch on unnecessarily often.
5. Keep the covers of the different temperature compartments (crisper, chiller ... etc ) closed
6. Door gasket must be clean and pliable. Replace gaskets if worn.

# THE PARTS OF THE APPLIANCE AND THE COMPARTMENTS



This presentation is only for information about the parts of the appliance.  
Parts may vary according to the appliance model.

1. Thermostat knob
2. Fridge shelves
3. Crisper cover
4. Crispers
5. Left & Right feet
6. Bottle shelf
7. Door shelves
8. Egg holder

1. Thermostat knob
2. Fridge shelves
3. Crisper cover
4. Crispers
5. Bottle shelf
6. Door shelves
7. Butter shelf cover \*
8. Egg holder

\* In some models

## Installation instructions and door reversibility for versions with Rail hinges

! It is recommended that the installation be performed by authorized technical staff

! Before installation, read the instructions carefully.

! Fit the refrigerator/freezer in stable kitchen units only.

! Cabinet dimensions are changed by material of trim **flap**<sup>1</sup>.

1. If material of trim flap<sup>1</sup> is plastic, look at (Table.1/B1) for cabinet dimensions.

2. If material of trim flap<sup>1</sup> is metal, look at (Table.1/B2) for cabinet dimensions.

! If necessary, reverse the door according to instructions.

1. See fig.A for the necessary attachment components.

2. Insert trim **flap**<sup>1</sup> into slot and screw by **screws**<sup>6</sup>. (fig.D)

3. Pass the power cord through ventilation shaft and position it so that the appliance could be easily plugged in once it has been installed. (fig.B - fig.C)

4. Take out the **trim gasket**<sup>4</sup> located on the side panel of the appliance and stick it on reverse side of the door hinges of the appliance. (fig.D - fig.E)

5. Raise the appliance and slide into the kitchen unit.

6. Push the appliance to the reverse side of the door hinges providing that the **trim gasket**<sup>2</sup> covers the space between the appliance and the kitchen unit.

7. Align the front feet with front surface of the kitchen unit. (fig.F)

8. Screw the front feet by using **screws**<sup>5</sup>. (fig.F)

9. Screw **trim flap**<sup>1</sup> to kitchen unit using **screws**<sup>5</sup>. (fig.G)

10. Screw **guides**<sup>3</sup> to appliance door with **screws**<sup>6</sup>. (fig.H)

11. Lean appliance door to unit door as it is opened at right angle.

12. Slide rails<sup>4</sup> into **guides**<sup>3</sup> aligning the groove. (fig.H)

13. Screw the **rails**<sup>4</sup> to the unit door with **screws**<sup>5</sup>. (fig.H)

14. Set 1~2 mm gap on handle side between unit itself and unit door by adjusting **guides**<sup>3</sup>. That is vital for appliance performance. (fig.H)

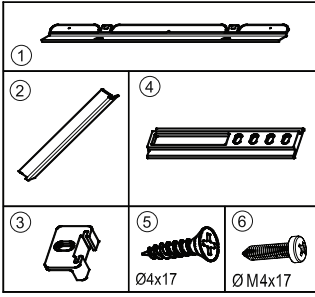


Figure A

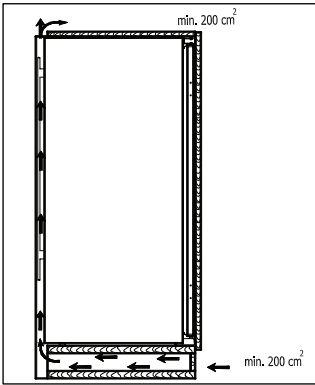


Figure B

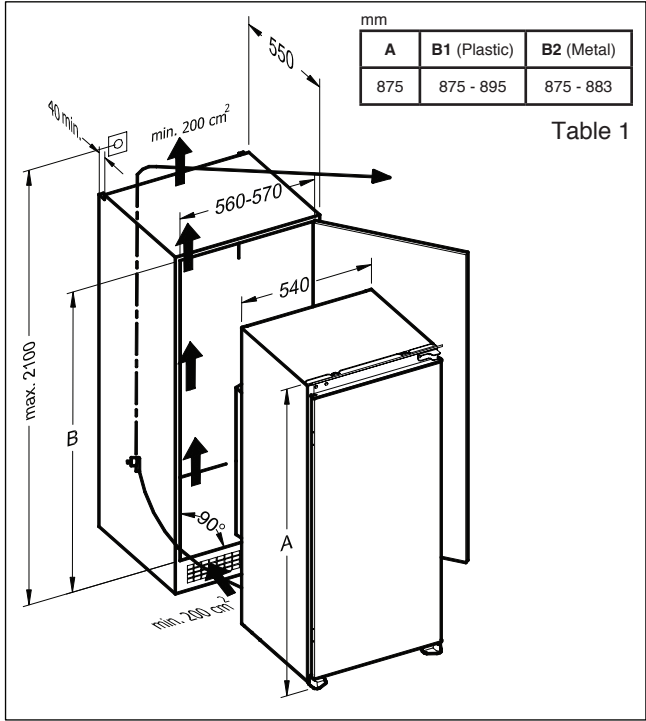


Table 1

Figure C

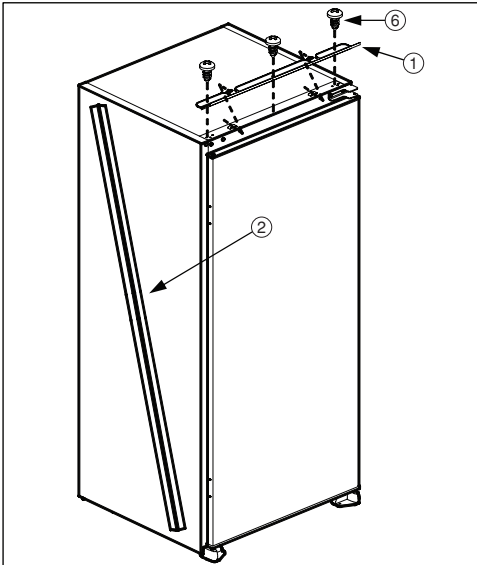


Figure D

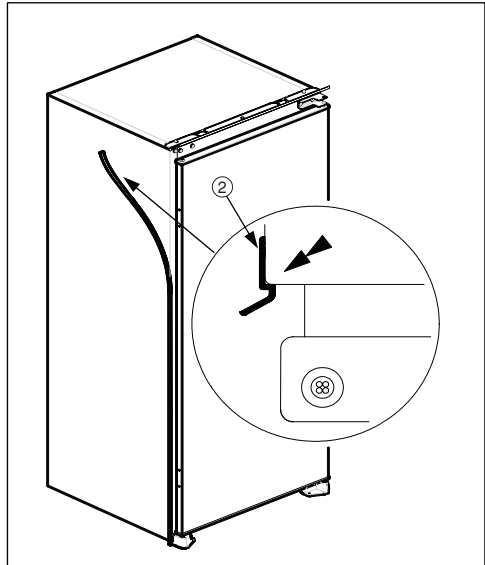


Figure E

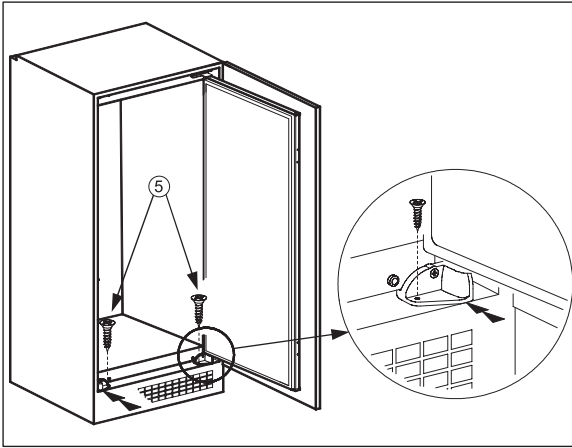


Figure F

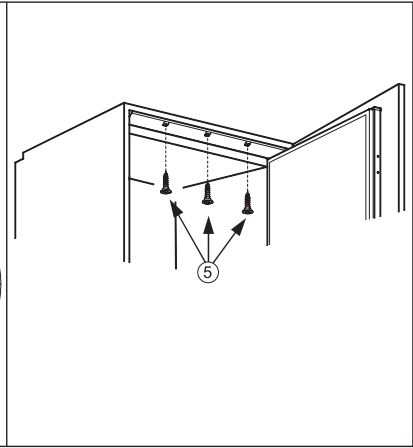


Figure G

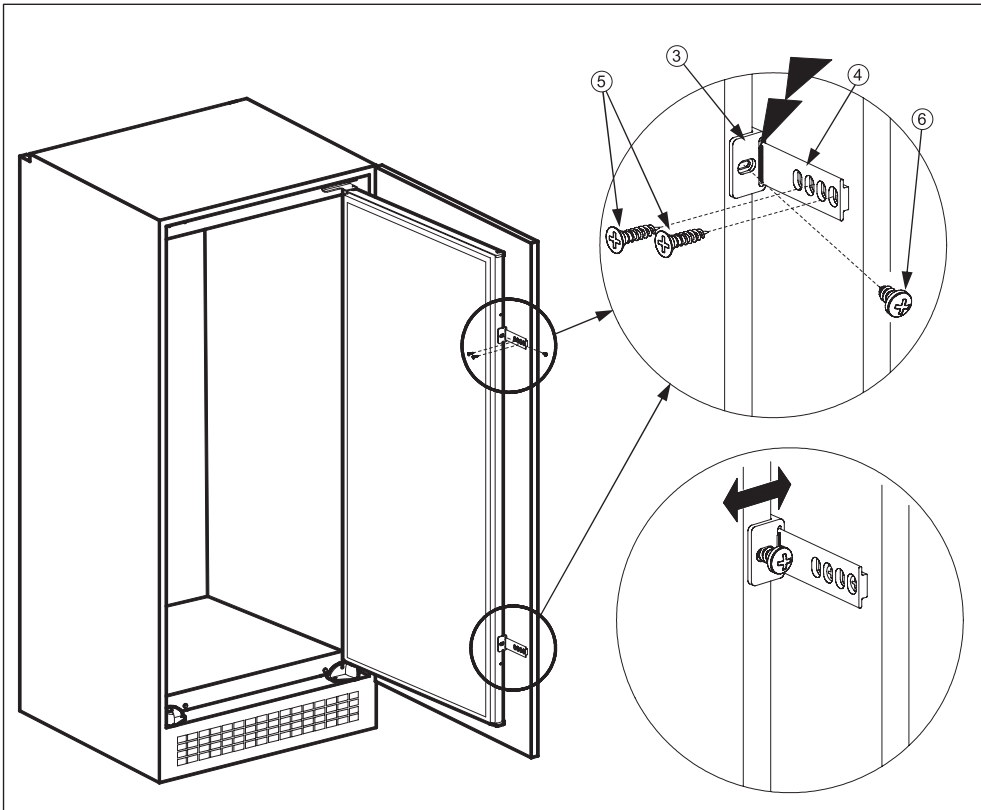


Figure H

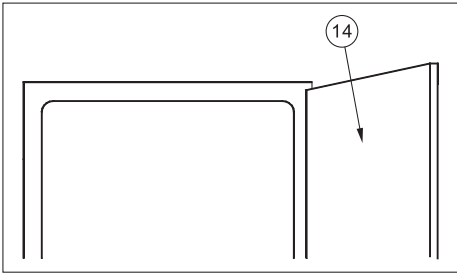


Figure J

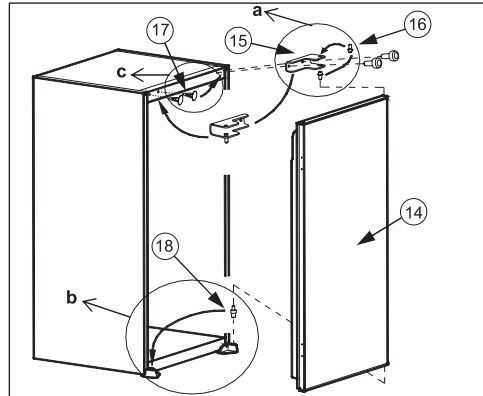


Figure K

### Door reversing

1. Open **appliance door**<sup>14</sup>. (fig.J)
2. Disassemble **door hinge**<sup>15</sup> and take **appliance door**<sup>14</sup> to safe place. (fig.K)
3. Unscrew **door hinge pin**<sup>16</sup> and screw it to opposite side firmly and take to safe place. (fig.K.a)
4. Take **door lower pin**<sup>18</sup> to opposite side. (fig.K.b)
5. Take **hole plugs**<sup>17</sup> to opposite side. (fig.K.c)
6. Place **appliance door**<sup>14</sup> over **door lower pin**<sup>18</sup> and insert **door hinge pin**<sup>16</sup> into hinge hole on **appliance door**<sup>14</sup> and then screw **door hinge**<sup>15</sup> firmly onto opposite side of original position. (fig.K)



## Installation instructions for product with Hettich hinges

! It is recommended that this installation be performed by authorized technical staff.

! Before installation, read the instructions carefully.

! Fit the refrigerator/freezer in stable kitchen units only.

! Cabinet dimensions are changed by material of trim flap<sup>1</sup>.

1. If material of trim flap<sup>(1)</sup> is plastic, look at (Table.1/B1) for cabinet dimensions.

2. If material of trim flap<sup>(1)</sup> is metal, look at (Table.1/B2) for cabinet dimensions.

! If necessary, reverse the door according to instructions.

1. See fig.A for the necessary attachment components.

2. Open the package. **Take gasket spacer<sup>(9)</sup>** and brake into three as shown in figureD. The middle part is **door hang rail<sup>(10)</sup>**. The other two parts are unit **door spacers<sup>(11)</sup>**. (fig.D)

3. Insert **trim flap<sup>(1)</sup>** into slot and screw by **screws<sup>(8)</sup>**. (fig.E)

4. Pass the power cord through ventilation shaft and position it so that the appliance could be easily plugged in once it has been installed. (fig.B - fig.C)

5. Cut **trim gasket<sup>(4)</sup>** to the height of the recess and stick it on reverse side of the doorhinges of the appliance. (fig.E)

6. Raise the appliance and slide into the kitchen unit.

7. Lean the appliance to the kitchen unit through the hinges and align the front feet with front surface of the kitchen unit. (fig.F)

8. Open the appliance door and screw the front feet by using **screws<sup>(7)</sup>**. (fig.G)

9. Screw **trim flap<sup>(1)</sup>** to kitchen unit using **screws<sup>(7)</sup>**. (fig.G)

10. Screw the hinges to the kitchen unit using **screws<sup>(7)</sup>**. (fig.G)

11. Close the appliance door. Unscrew and remove the **nuts<sup>(14)</sup>**, **washers<sup>(13)</sup>** and **adjustmentbolts<sup>(12)</sup>** from the appliance door. (fig.H)

12. Remove the liner for the adhesive part on the **door hang rails<sup>(10)</sup>**. Place **door hang rails<sup>(10)</sup>** on the appliance door by inserting the bosses on the holes of the appliance door, aligning the front surfaces of the **door hang rails<sup>(10)</sup>** and the appliance door parallel to each other. Let the **door hang rails<sup>(10)</sup>**, stick onto the appliance door. (fig.H)

13. Slide the **door hang<sup>(2)</sup>** into **door hang rails<sup>(10)</sup>**. (fig.J - fig.K)

14. Take out the liners of the adhesive part on the front side of the **door hang<sup>(2)</sup>**.

15. Take out the liners of the adhesive part on the unit door spacers<sup>(11)</sup> and stick them onto the unit door<sup>(15)</sup>, closer to the upper corners. (fig.K)

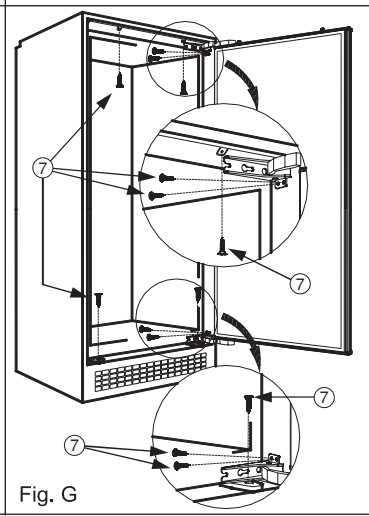
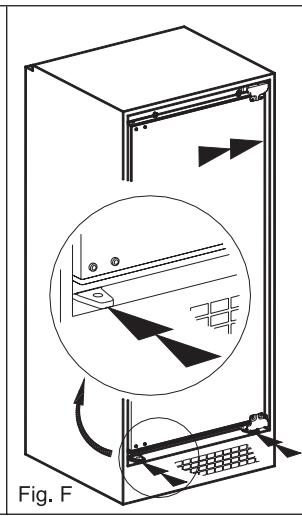
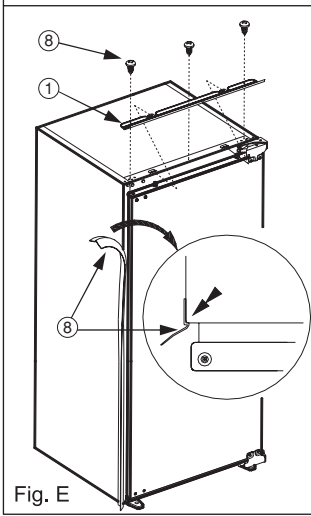
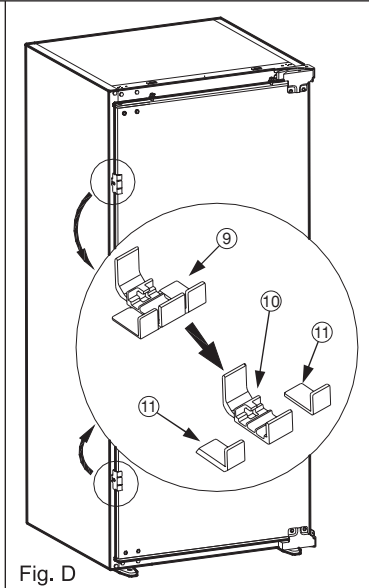
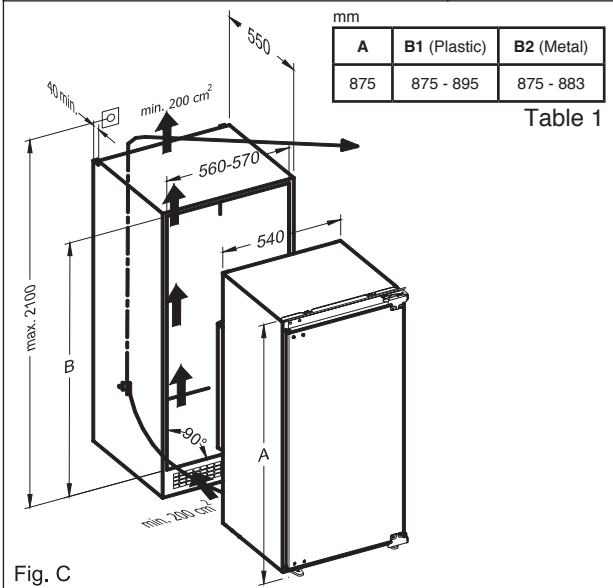
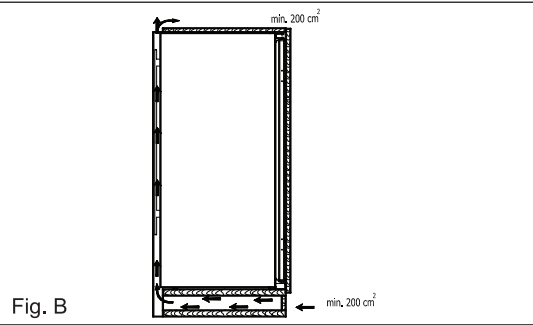
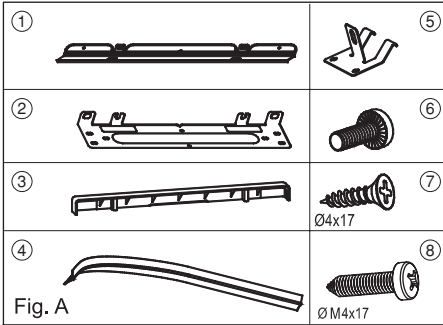
16. Lean the **unit door<sup>(15)</sup>** to the **door hang<sup>(2)</sup>**, aligning the **unit door spacers<sup>(11)</sup>** on the left, right and top edges with the sides of the unit or the doors of the nearer and upper kitchen units. (fig.K)

17. Make sure that the **unit door<sup>(15)</sup>** sticks onto the **door hang<sup>(2)</sup>**. Pull the **unit door<sup>(15)</sup>** allowing the **door hang<sup>(2)</sup>** to slide out the **door hang rails<sup>(10)</sup>**. Observe that the **door hang<sup>(2)</sup>** stays stuck on the **unit door<sup>(15)</sup>**. (fig.L)

18. Lay down the **unit door<sup>(15)</sup>** on the floor and screw the **door hang<sup>(2)</sup>** to the **unit door<sup>(15)</sup>** by **screws<sup>(7)</sup>**. (fig.L)

19. To overcome some of the furniture mistakes, there are **plastic spacers<sup>(A)</sup>** stuck on the **door hang<sup>(2)</sup>**. Remove these **plastic spacers<sup>(A)</sup>**. (fig.M)

20. Remove the **door hang rails**<sup>(10)</sup> from the appliance door. Screw the **adjustment bolts**<sup>(12)</sup> to the holes on the appliance door by leaving the necessary space using **unit door spacer**<sup>(11)</sup>. (fig.N)
21. Open the appliance door. Place the **unit door**<sup>(15)</sup> onto the appliance door inserting adjustment bolts(12) into the slots on the **door hang**<sup>(2)</sup>. (fig.N)
22. Place the washers<sup>(13)</sup> and screw the **nuts**<sup>(14)</sup> onto the **adjustment bolts**<sup>(12)</sup>. (fig.N)
23. 1~2 mm gap between the unit itself and unit door is vital for appliance performance. Close the door and make the accurate adjustment of the **unit door**<sup>(15)</sup> by screwing or unscrewing the **adjustment bolts**<sup>(12)</sup> for vertical adjustment and by the help of the slot on the **door hang**<sup>(2)</sup> for other directions. (fig.P1)
24. Place the **door bottom fixings**<sup>(5)</sup> to the bottom of the appliance door between the appliance door and **unit door**<sup>(15)</sup>. Screw the **door bottom fixings**<sup>(5)</sup> to the appliance door with **screws**<sup>(6)</sup>. (fig.O)
25. Screw the **door bottom fixings**<sup>(5)</sup> to the **unit door**<sup>(15)</sup> by **screws**<sup>(7)</sup>. (fig.O)
26. For the adjustment of the space between the unit upper **door**<sup>(15)</sup> and the unit itself, you can unscrew the **screws**<sup>(6)</sup> then adjust the space between the **appliance upper door**<sup>(19)</sup> and **unit upper door**<sup>(15)</sup> by the spring effect of the **door bottom fixings**<sup>(5)</sup> while screwing back the **screws**<sup>(6)</sup>.
27. Slide the **hang cover**<sup>(3)</sup> onto the **door hang**<sup>(2)</sup>. (fig.P2)



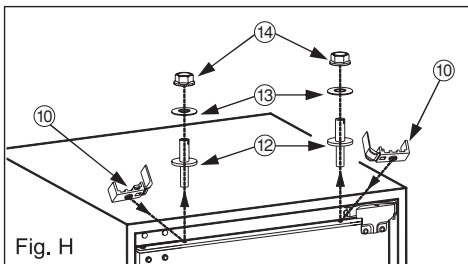


Fig. H

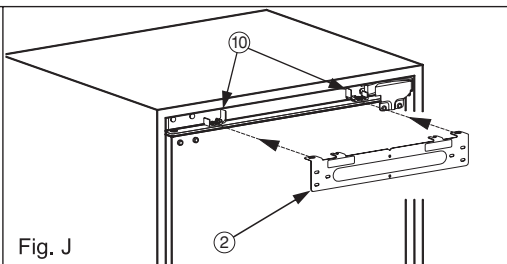


Fig. J

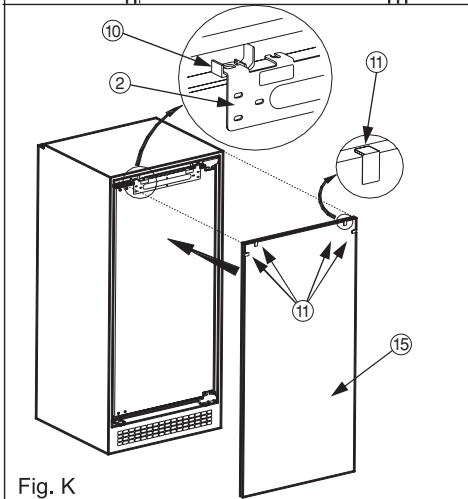


Fig. K

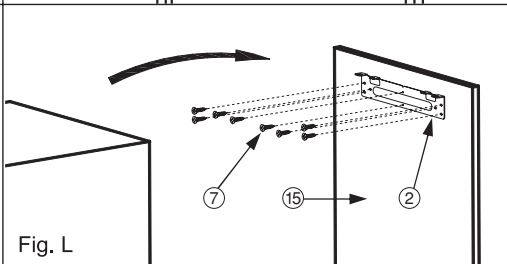


Fig. L

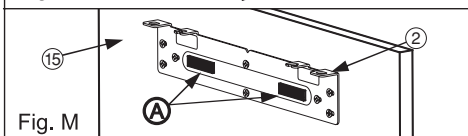


Fig. M

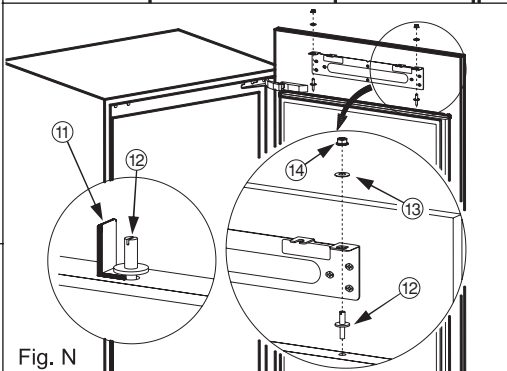


Fig. N

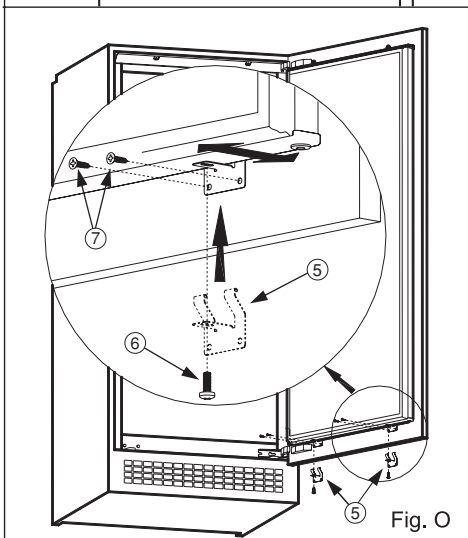


Fig. O

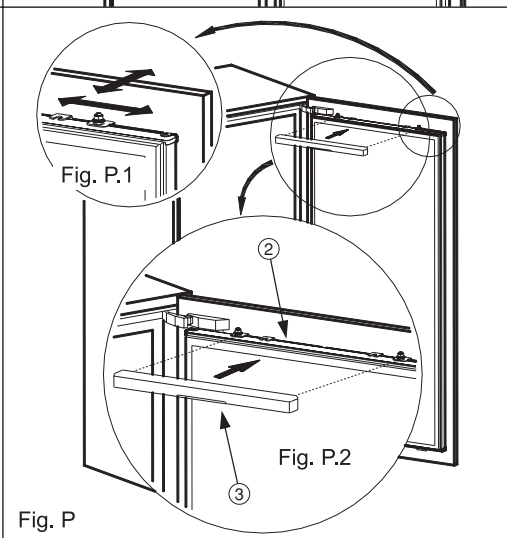


Fig. P

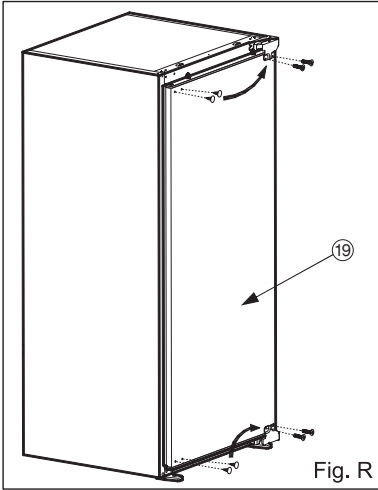


Fig. R

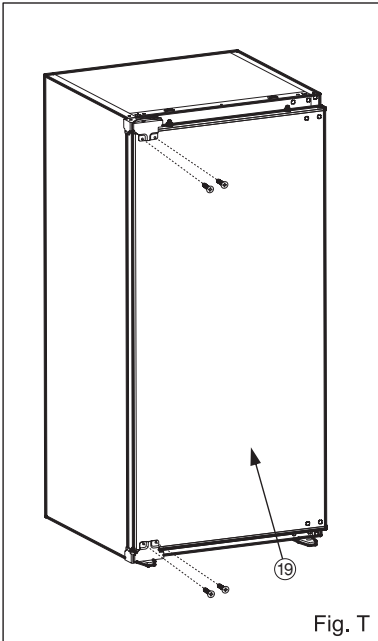


Fig. T

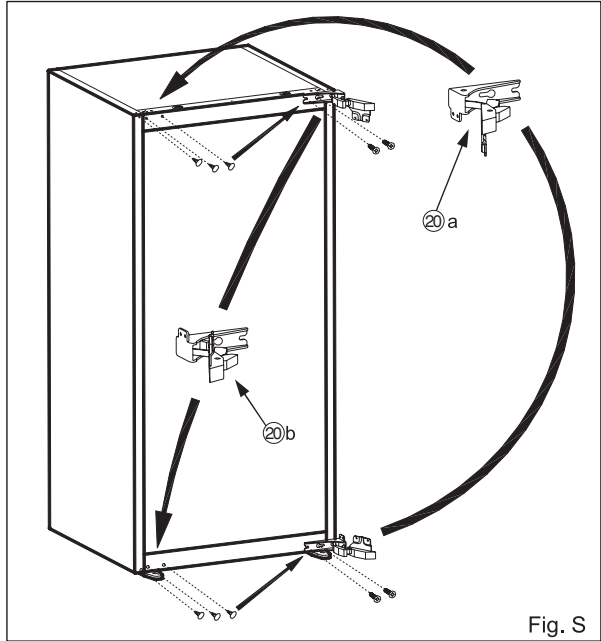


Fig. S

### Door reversing

! Be careful about not to pinch your fingers in the hinges (**door upper hinge**<sup>(20-a)</sup> and **door lower hinge**<sup>(20-b)</sup>).

1. Open the **appliance door**<sup>(19)</sup>. (fig.P)
2. Unscrew the screws on the front surface of the **appliance door**<sup>(19)</sup>. Take the **appliance door**<sup>(19)</sup> to a safe place. (fig.S)
3. Move the **hole plugs** on the **appliance door**'s<sup>(19)</sup> front surface, to the holes on the reverse side. (fig.S)
4. Open the **door upper hinge**<sup>(20-a)</sup> and **door lower hinge**<sup>(20-b)</sup>. (fig.S) and disassemble them. (fig.T)
5. Move the **hole plugs** to opposite side. (fig.T)
6. Assemble the **door upper hinge**<sup>(20-a)</sup> and **door lower hinge**<sup>(20-b)</sup> to the opposite corners of their original position. (fig.T)

# SICHERHEITSHINWEISE

WICHTIG - Durchlesen und beachten!

Diese Sicherheitshinweise vor dem Gebrauch durchlesen. Diese für spätere Nachschlagezwecke in der Nähe aufbewahren.

In diesen Anweisungen sowie auf dem Gerät selbst werden wichtige Sicherheitshinweise angegeben, die durchgelesen und stets beachtet werden müssen. Der Hersteller übernimmt keine Haftung für die Nichtbeachtung dieser Sicherheitshinweise, für unsachgemäße Verwendung des Gerätes oder falsche Bedienungseinstellung.

⚠️ Babys und Kleinkinder (0-3 Jahre) müssen vom Gerät fern gehalten werden. Jüngere Kinder (3-8 Jahre) müssen vom Gerät fern gehalten werden, es sei denn, sie werden ständig beaufsichtigt. Dieses Gerät darf von Kindern ab 8 Jahren sowie Personen mit herabgesetzten physischen, sensorischen oder geistigen Fähigkeiten und Mangel an Erfahrung und Kenntnissen nur unter Aufsicht oder nach ausreichender Einweisung durch eine für ihre Sicherheit verantwortliche Person verwendet werden. Kinder dürfen nicht mit dem Gerät spielen. Die Reinigung und Pflege des Gerätes darf von Kindern nicht ohne Aufsicht durchgeführt werden.

## ZULÄSSIGE NUTZUNG

⚠️ VORSICHT! Das Gerät ist nicht für den Betrieb mit einer externen Schaltvorrichtung, z. B. einem Timer oder einer separaten Fernbedienung, ausgelegt.

⚠️ Dieses Gerät ist für Haushaltsanwendungen und ähnliche Anwendungen konzipiert, zum Beispiel: Mitarbeiterküchen

im Einzelhandel, in Büros oder in anderen Arbeitsbereichen; Gasthäuser; für Gäste in Hotels, Motels, Bed-and-Breakfast-Anwendungen und anderen Wohnumgebungen.

⚠️ Dieses Gerät eignet sich nicht für den professionellen Einsatz. Das Gerät ist nicht für die Benutzung im Freien geeignet.

⚠️ Die im Gerät verwendete Lampe ist speziell für Elektrogeräte konzipiert und ist nicht für die Beleuchtung von Räumen geeignet (EU-Verordnung 244/2009).

⚠️ Das Gerät ist für den Einsatz in Räumen mit nachstehenden Umgebungstemperaturbereichen ausgelegt, die ihrerseits von der Klimaklasse auf dem Typenschild abhängig sind. Wird der vorgegebene Temperaturbereich für das Gerät für einen längeren Zeitraum unter- oder überschritten, kann es zu Funktionsstörungen kommen.

## Klimaklasse

### Umgebungstemperaturen:

SN: Von 10 bis 32 °C

ST: Von 16 bis 38 °C;

N: Von 16 bis 32 °C

T: Von 16 bis 43 °C



Dieses Gerät ist FCKW-frei. Der Kältemittelkreislauf enthält R600a (HC). Hinweis zu Geräten mit Isobutan (R600a): Isobutan ist ein umweltverträgliches, natürliches Gas, es ist jedoch leicht entflammbar. Aus diesem Grund sicherstellen, dass die Leitungen des Kältemittelkreislaufs nicht beschädigt sind, insbesondere beim Entleeren des

Kühlmittelkreislaufs.

⚠ ACHTUNG: Beschädigen Sie auf keinen Fall die Leitungen des Kältemittelkreises.

⚠ ACHTUNG: Lüftungsöffnungen in der Geräteverkleidung oder im Einbaumöbel sind von Behinderungen frei zu halten.

⚠ ACHTUNG: Zum Beschleunigen des Abtauvorganges niemals zu anderen mechanischen, elektrischen oder chemischen Hilfsmitteln greifen als zu den vom Hersteller empfohlenen.

⚠ ACHTUNG: Verwenden Sie keine elektrischen Geräte in den Fächern des Gerätes, wenn deren Einsatz nicht explizit vom Hersteller zugelassen worden ist.

⚠ ACHTUNG: Eisbereiter und/oder Wasserspender, die nicht direkt mit der Wasserleitung verbunden sind, dürfen nur mit Trinkwasser befüllt werden.

⚠ Bewahren Sie keine explosionsgefährdeten Stoffe wie Spraydosen im oder in der Nähe des Gerätes auf. Das gleiche gilt für Benzin und sonstige entflammbare Stoffe und deren Verwendung.

⚠ Die in den Kühlakkus (bei manchen Modellen vorhanden) enthaltene (ungiftige) Flüssigkeit darf nicht verschluckt werden. Verzehren Sie Eiswürfel oder Wassereis nicht unmittelbar nach der Entnahme aus dem Gefrierfach, da sie Kälteverbrennungen hervorrufen können.

⚠ Bei Produkten, die für den Gebrauch eines Luftfilters hinter einer zugänglichen Lüfterabdeckung ausgelegt sind, muss der Filter bei laufendem Kühlschrank stets eingesetzt sein.

⚠ Bewahren Sie keine Glasbehälter mit Flüssigkeiten im Gefrierfach, sie könnten zerbrechen.

Blockieren Sie das Gebläse (falls inbegriffen) nicht mit Lebensmitteln. Prüfen Sie nach dem Ablegen von Lebensmitteln, ob die Tür der Fächer korrekt schließt, besonders die Tür des Gefrierfachs.

⚠ Beschädigte Dichtungen müssen so schnell wie möglich ausgetauscht werden.

⚠ Verwenden Sie das Kühlfach nur zur Aufbewahrung von frischen Lebensmitteln und das Gefrierfach nur zur Aufbewahrung von gefrorenen Lebensmitteln, zum Einfrieren von frischen Lebensmitteln und zur Herstellung von Eiswürfeln.

⚠ Unverpackte Lebensmittel so lagern, dass sie nicht mit den Innenwänden des Kühl- bzw. Gefrierfachs in Berührung kommen. Möglicherweise verfügt das Gerät über Sonderfächer (Frischefach, Null-Grad-Box, ...). Falls nicht anderweitig in der Anleitung des Gerätes anders angegeben, können diese für eine gleichmäßige Funktion im gesamten Gerät herausgenommen werden.



Das brennbare Gas C-Pentan wird als Treibmittel im Isolierschaum eingesetzt.

## INSTALLATION

⚠ Zum Transport und zur Installation des Gerätes sind zwei oder mehrere Personen erforderlich - Verletzungsgefahr. Schutzhandschuhe zum Auspacken und zur Installation verwenden - Risiko von Schnittverletzungen.

⚠ Die Installation, einschließlich der Wasserversorgung (falls vorhanden), elektrische Anschlüsse

und Reparaturen müssen von einem qualifizierten Techniker durchgeführt werden.

Reparieren Sie das Gerät nicht selbst und tauschen Sie keine Teile aus, wenn dies vom Bedienungshandbuch nicht ausdrücklich vorgesehen ist. Kinder vom Installationsort fern halten. Prüfen Sie das Gerät nach dem Auspacken auf Transportschäden. Bei Problemen wenden Sie sich bitte an Ihren Händler oder an den nächsten Kundendienst. Nach der Installation müssen Verpackungsabfälle (Kunststoff, Styroporteile usw.) außerhalb der Reichweite von Kindern aufbewahrt werden - Erstickungsgefahr. Das Gerät vor Installationsarbeiten von der Stromversorgung trennen - Stromschlaggefahr. Während der Installation sicherstellen, das Netzkabel nicht mit dem Gerät selbst zu beschädigen - Brand- oder Stromschlaggefahr. Das Gerät erst starten, wenn die Installationsarbeiten abgeschlossen sind.

⚠ Achten Sie beim Bewegen des Gerätes darauf, den Boden (z. B. Parkett) nicht zu beschädigen. Stellen Sie das Gerät auf dem Boden oder einer für sein Gewicht ausreichend starken Halterung auf. Der Ort sollte der Größe und der Nutzung des Geräts entsprechen. Sicherstellen, dass sich das Gerät nicht in der Nähe einer Wärmequelle befindet und dass die vier Füße fest auf dem Boden aufliegen. Die Füße entsprechend einstellen und mit einer Wasserwaage kontrollieren, dass das Gerät vollkommen eben und standfest ist. Warten Sie mindestens zwei Stunden, bevor Sie das Gerät einschalten, um sicherzustellen, dass der Kältemittelkreislauf einwandfrei funktioniert.

Alle Abmessungen und Abstandsflächen die für die Installation des Gerätes erforderlich sind, befinden sich in dem Installationshandbuch.

⚠ **WARNUNG:** Stellen Sie beim Aufstellen des Geräts sicher, dass das Netzkabel nicht eingeklemmt oder beschädigt wird.

⚠ **WARNUNG:** Um Gefahren aufgrund von Instabilität zu verhindern, muss das Gerät gemäß Herstelleranweisungen platziert oder befestigt werden.

Der Kühlschrank darf nicht so aufgestellt werden, dass das Metallrohr eines Gasherdes, Metall- bzw. Wasserrohre oder elektrische Verkabelungen mit der Rückwand des Gerätes in Berührung kommen (oder mit der Kondensatorschlange).

### **HINWEISE ZUR ELEKTRIK**

⚠ Es muss gemäß den Verdrahtungsregeln möglich sein, den Netzstecker des Gerätes zu ziehen, oder es mit einem Trennschalter, welcher der Steckdose vorgeschaltet ist, auszuschalten. Das Gerät muss im Einklang mit den nationalen elektrischen Sicherheitsbestimmungen geerdet sein.


⚠ Verwenden Sie keine Verlängerungskabel, Mehrfachstecker oder Adapter. Nach der Installation dürfen Strom führende Teile für den Benutzer nicht mehr zugänglich sein. Das Gerät nicht in nassem Zustand oder barfuß verwenden.

Das Gerät nicht verwenden, wenn das Netzkabel oder der Stecker beschädigt sind, wenn es nicht einwandfrei funktioniert, wenn es heruntergefallen ist oder in irgendeiner Weise beschädigt wurde.


⚠ Wenn das Netzkabel beschädigt ist, muss es aus Sicherheitsgründen




vom Hersteller, von seinem Kundendienstvertreter oder einer ähnlich qualifizierten Fachkraft mit einem identischen Kabel ersetzt werden - Stromschlaggefahr.


 **WARNUNG:** Bringen Sie keine Mehrfachstecker oder tragbare Stromversorgungsgeräte an der Geräterückseite an.

## **REINIGUNG UND WARTUNG**

 **WARNUNG:** Vor dem Durchführen von Wartungsarbeiten ist sicherzustellen, dass das Gerät ausgeschaltet und von der Stromversorgung getrennt ist; Verwenden Sie keine Dampfreinigungsgeräte - Stromschlaggefahr.

 Verwenden Sie keine Scheuermittel wie Fensterspray, Entfetter, entzündbare Flüssigkeiten, Reinigungspaste, konzentrierte Reinigungsmittel, Bleichmittel oder benzinhaltige Reinigungsmittel auf Kunststoffteilen, Innen- oder Türablagen oder Dichtungen. Benutzen Sie keine Papiertücher, Topfreiniger oder scharfen Gegenstände.

## **ENTSORGUNG VON VERPACKUNGSMATERIALIEN**


Das Verpackungsmaterial ist zu 100 % wiederverwertbar und trägt das Recycling-Symbol .

Werfen Sie das Verpackungsmaterial deshalb nicht einfach weg, sondern entsorgen Sie es gemäß den geltenden örtlichen Vorschriften.

## **ENTSORGUNG VON HAUSHALTSGERÄTEN**

Dieses Gerät wurde aus recycelbaren oder wiederverwendbaren Werkstoffen hergestellt. Entsorgen Sie das Gerät gemäß den regionalen Vorschriften zur Abfallbeseitigung. Genauere Informationen zu Behandlung, Entsorgung und Recycling von elektrischen Haushaltsgeräten sind bei der örtlichen Behörde, der Müllabfuhr oder dem Händler

erhältlich, bei dem das Gerät gekauft wurde. Dieses Gerät ist gemäß der Europäischen Richtlinie 2012/19/EU für Elektro- und Elektronik-Altgeräte (WEEE) gekennzeichnet. Durch Ihren Beitrag zur korrekten Entsorgung dieses Produkts schützen Sie die Umwelt und die Gesundheit Ihrer Mitmenschen.

Das Symbol  auf dem Gerät bzw. auf dem beiliegenden Informationsmaterial weist darauf hin, dass dieses Gerät kein normaler Haushaltsabfall ist, sondern in einer Sammelstelle für Elektro- und Elektronik-Altgeräte entsorgt werden muss.

## **ENERGIESPARTIPPS**

Befolgen Sie die Aufstellanweisungen, um angemessene Belüftung sicherzustellen. Eine unzureichende Belüftung hinten am Gerät erhöht den Energieverbrauch und verringert die Kühlkapazität.

Häufiges Öffnen der Tür kann zu einem erhöhten Energieverbrauch führen.

Die Innentemperatur des Gerätes und der Energieverbrauch können sowohl von der Umgebungstemperatur als auch vom Standort des Gerätes beeinflusst werden.

Bei der Temperatureinstellung sind diese Faktoren zu berücksichtigen. Öffnen Sie die Tür nur so weit wie notwendig.

Platzieren Sie Lebensmittel zum Auftauen im Kühlschrank. Die niedrige Temperatur der gefrorenen Lebensmittel kühlt das Essen im Kühlschrank.

Lassen Sie warme Speisen und Getränke abkühlen, bevor Sie diese im Gerät platzieren.

Die Position der Ablageflächen im Kühlschrank hat keinen Einfluss auf den effizienten Energieverbrauch. Lebensmittel müssen so auf den Ablageflächen platziert werden, dass eine korrekte Luftzirkulation sichergestellt wird (Lebensmittel dürfen sich nicht berühren und zwischen Lebensmitteln und Rückwand muss Abstand gehalten werden).

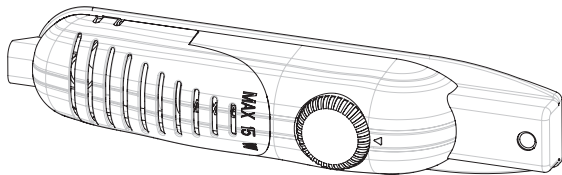
Sie können die Lagerkapazität der gefrorenen Lebensmittel durch Entnahme der Körbe und, wenn vorhanden, der Stop-Frost-Ablage, erhöhen.

Es gibt keinen Grund zur Beunruhigung im Falle von Geräuschen durch den Kompressor, diese sind normale Betriebsgeräusche.

# BEDIENUNG DES GERÄTS

## Einstellung des Thermostats

- Der Thermostat regelt automatisch die Innentemperatur des Kühlschranks. Durch Drehen des Knopfes von 1 auf 5 können kältere Temperaturen erzielt werden.
- Die Stellung “ . ” zeigt, dass der Thermostat geschlossen ist und keine Kühlung erfolgt.
- Für die kurzzeitige Lagerung von Lebensmitteln im Kühlschrank können Sie den Knopf zwischen die niedrigste und mittlere Position (1-3) einstellen.
- Für die langfristige Lagerung von Lebensmitteln im Kühlschrank können Sie den Knopf auf die mittlere Position (3-4) einstellen.



**Bitte beachten:** Raumtemperatur, Temperatur der frisch gelagerten Lebensmittel und Häufigkeit der Türöffnung beeinflussen die Temperatur im Kühlschrank. Bei Bedarf die Temperatureinstellung ändern.

- Wenn Sie das Gerät zum ersten Mal einschalten, wäre es ideal, wenn Sie es 24 Stunden lang ohne Lebensmittel laufen lassen und die Tür nicht öffnen. Wenn eine sofortige Verwendung notwendig ist, sollten Sie das Einlagern großer Lebensmittelmengen vermeiden.
- Wenn das Gerät ausgeschaltet oder der Netzstecker gezogen wird, müssen Sie mindestens 5 Minuten bis zum erneuten Einschalten warten, um den Kompressor nicht zu beschädigen.
- VORRATSSCHRANK (ohne Sternekenzeichnung): Vorratsschränke (Kühler) haben kein Gefrierfach, können jedoch auf 4 - 6 °C abkühlen.

## Warnhinweise zu Temperatureinstellungen

- Es wird im Hinblick auf die Effizienz des Kühlschranks nicht empfohlen, diesen in Umgebungen mit weniger als 10 °C zu betreiben.
- Die Temperatureinstellung sollte auf die Häufigkeit der Türöffnungen und die im Kühlschrank aufbewahrte Lebensmittelmenge abgestimmt werden.
- Ihr Kühlschrank sollte, nachdem der Netzstecker eingesteckt wurde, je nach Raumtemperatur bis zu 24 Stunden ohne Unterbrechung laufen, damit er komplett gekühlt ist. Vermeiden Sie das häufige Öffnen der Kühlschranktür und lagern Sie während dieses Zeitraums nicht viele Lebensmittel ein.
- Es kommt eine Zeitverzögerung von 5 Minuten zur Anwendung, wenn Sie den Netzstecker ziehen und dann wieder einstecken oder wenn ein Stromausfall eintritt, um den Kompressor Ihres Kühlschranks vor Beschädigung zu schützen. Nach 5 Minuten beginnt Ihr Kühlschrank wieder normal zu arbeiten.
- Ihr Kühlschrank wurde für den Betrieb innerhalb der in den Normen festgelegten Umgebungstemperaturbereiche ausgelegt, die der auf dem Informationsschild angegebenen Klimaklasse entsprechen. Im Hinblick auf die Kühlleistung empfehlen wir, den Kühlschrank nicht außerhalb der festgelegten Temperaturgrenzwerte zu betreiben.
- Dieses Gerät ist für die Verwendung bei Raumtemperatur innerhalb des Bereiches von 16 °C - 32 °C ausgelegt.

# LAGERUNG VON LEBENSMITTELN IM GERÄT

- Der Kühlschrank dient dazu, frische Lebensmittel für einige Tage aufzubewahren.
- Platzieren Sie die Lebensmittel nicht in direktem Kontakt mit der Rückwand des Kühlschranks. Lassen Sie etwas Platz um die Lebensmittel, damit die Luft zirkulieren kann.
- Stellen Sie keine heißen Lebensmittel oder dampfenden Flüssigkeiten in den Kühlschrank.
- Stellen Sie sicher, dass die Lebensmittel stets eingepackt sind oder in geschlossenen Behältern aufbewahrt werden.
- Zur Verringerung der Feuchtigkeit und zur Vermeidung von Eisbildung keine Flüssigkeiten in offenen Behältern in den Kühlschrank stellen.
- Wir empfehlen Ihnen, Fleisch lose einzupacken und auf der Glasablage oberhalb des Gemüsefachs aufzubewahren, wo die Luft kühler ist.
- Lagern Sie Obst und Gemüse lose in den Gemüsebehältern.
- Um das Entweichen der kalten Luft zu vermeiden, die Tür nicht zu oft öffnen und nicht längere Zeit offen stehen lassen.

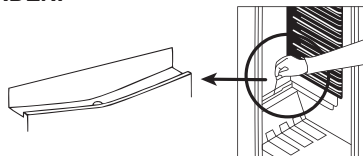
## REINIGUNG UND PFLEGE

- Trennen Sie das Gerät vor dem Reinigen von der Stromversorgung.
- Gießen Sie beim Reinigen des Geräts kein Wasser hinein.
- Stellen Sie sicher, dass kein Wasser in das Lampengehäuse und sonstige elektrische Bauteile eintritt.
- Der Kühlschrank sollte regelmäßig mit einer Lösung aus Natron und lauwarmem Wasser gereinigt werden.
- Reinigen Sie Zubehörteile separat mit Wasser und Geschirrspülmittel. Reinigen Sie diese nicht im Geschirrspüler.
- Verwenden Sie keine scheuernden Produkte, Reinigungsmittel oder Seifen. Nach dem Reinigen mit klarem Wasser spülen und sorgfältig abtrocknen. Wenn Sie die Reinigung beendet haben, stecken Sie den Netzstecker wieder mit trockenen Händen ein.
- Reinigen Sie den Kondensator mindestens zweimal pro Jahr mit einem Besen. Dies hilft Ihnen Energiekosten zu sparen und die Leistungsfähigkeit zu steigern.

### DIE STROMVERSORGUNG MUSS UNTERBROCHEN WERDEN.

#### Abtauen

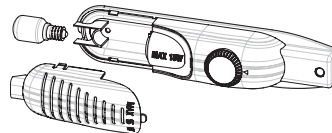
- Abtauen findet automatisch während des Betriebs im Kühlschrank statt; das Wasser wird in der Verdunstungsrinne gesammelt und verdunstet automatisch.
- Die Verdunstungsrinne und die Wasserablauföffnung sollten regelmäßig mit dem Stöpsel des Tauwasserablaufs gereinigt werden, um zu verhindern, dass sich Wasser am Kühlschrankboden sammelt, anstatt abzufließen.
- Sie können die Ablauföffnung auch reinigen, indem Sie  $\frac{1}{2}$  Glas Wasser hineinleeren.



#### Austausch der Glühbirne

Zum Austauschen der Glühbirne des Kühlschranks:

1. Das Gerät von der Stromversorgung trennen.
2. Die Haken an den Seiten der Leuchtenabdeckung drücken und die Leuchtenabdeckung abnehmen.
3. Ersetzen Sie die vorhandene Glühbirne durch eine neue mit max. 15 W.
4. Bringen Sie die Leuchtenabdeckung wieder an. Warten Sie 5 Minuten und stecken Sie das Netzkabel des Geräts wieder ein.



#### Austausch der LED-Beleuchtung

Wenn Ihr Kühlschrank über eine LED-Beleuchtung verfügt, kontaktieren Sie bitten den Helpdesk, da diese nur durch autorisiertes Personal getauscht werden darf.

# TRANSPORT UND WECHSEL DES AUFSTELLUNGORTES

## **Transport und Wechsel des Aufstellungsortes**

- Die Originalverpackung und Polystyrol (PS) können bei Bedarf einbehalten werden.
- Das Gerät sollte während des Transports mit einer breiten Schnur oder einem starken Seil gesichert werden. Die Anweisungen auf dem Wellpappekarton sind während des Transportes einzuhalten.
- Vor dem Transport oder dem Wechsel des Aufstellungsortes sollten alle beweglichen Gegenstände (z. B. Ablagen, Gemüsebehälter...) aus dem Gerät entnommen oder mit Bändern gesichert werden, damit sie nicht beschädigt werden.

**Transportieren Sie den Kühlschrank in aufrechter Position.**

# BEVOR SIE DEN KUNDENDIENST RUFEN

Wenn Ihr Kühlschrank nicht ordnungsgemäß arbeiten sollte, könnte es sich um ein geringfügiges Problem handeln. Prüfen Sie daher Folgendes.

## **Das Gerät arbeitet nicht.**

### **Prüfen Sie, ob:**

- ein Stromausfall vorliegt.
- der Netzstecker ist nicht richtig eingesteckt oder ist lose.
- die Thermostateinstellung ist auf "".
- die Steckdose ist defekt. Stecken Sie zur Überprüfung ein anderes Gerät, von dem Sie wissen, dass es funktioniert, in die gleiche Steckdose ein.

## **Das Gerät funktioniert schlecht.**

### **Prüfen Sie, ob:**

- Sie das Gerät zu voll geladen haben.
- die Gerätetür richtig geschlossen ist.
- zu wenige Belüftungsöffnungen im Kühlschrank vorhanden sind (siehe Angaben im Installationshandbuch).

## **Geräusentwicklung:**

Das Kühlgas, das im Kühlkreis zirkuliert, kann leise Geräusche (Blubbern) erzeugen, selbst wenn der Kompressor nicht läuft. Machen Sie sich keine Sorgen, dies ist normal. Wenn Sie andere Geräusche hören, prüfen Sie Folgendes:

- Steht das Gerät fest, wie im Installationshandbuch beschrieben.
- Gegenstände auf dem Gerät vibrieren.

## **Wenn sich Wasser im unteren Teil des Kühlschranks befindet;**

### **prüfen Sie, dass:**

- die Wasserablauföffnung nicht verstopft ist (reinigen Sie mit dem Stöpsel des Tauwasserablaufs die Ablauföffnung).

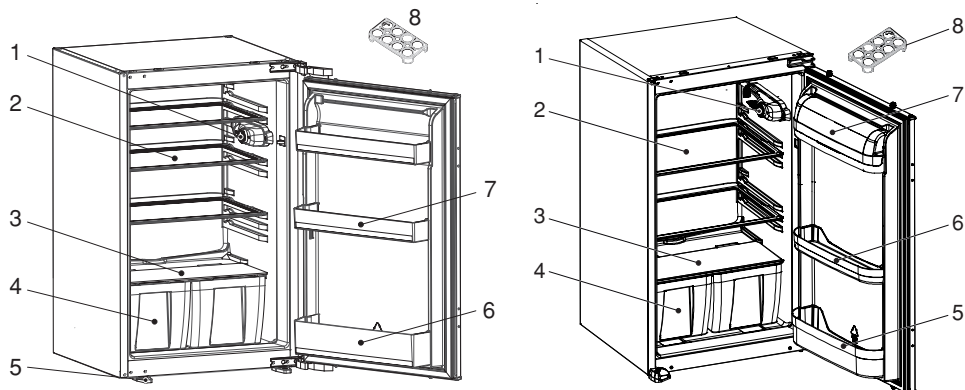
### **Austausch der Glühbirne**

- Wenn kein Strom vorhanden ist, sollte zum Schutz vor Schäden am Kompressor der Netzstecker des Kühlschranks gezogen werden. Das Einstecken des Netzsteckers sollte 5 – 10 Minuten, nachdem die Stromversorgung wiederhergestellt wurde, erfolgen.
- Wenn Sie aus irgendwelchen Gründen den Netzstecker des Kühlschranks ziehen, sollten Sie vor dem erneuten Einstecken mindestens 5 Minuten warten. Dies verhindert Schäden an den Kühlschrankbauteilen.
- Das Kühlaggregat Ihres Kühlschranks ist auf der Geräterückseite verborgen. Deshalb können sich durch den Intervallbetrieb des Kompressors Wassertropfen oder Vereisung an der rückwärtigen Fläche des Kühlschranks bilden. Dies ist als normal anzusehen und es ist kein Abtauvorgang vorzunehmen, außer die Vereisung ist zu stark.
- Beabsichtigen Sie, Ihren Kühlschrank längere Zeit nicht zu benutzen (z. B. Sommerferien), den Thermostat auf «•» drehen. Nach dem Abtauen den Kühlschrank reinigen und die Tür offen lassen, um Feuchtigkeits- und Geruchsbildung zu vermeiden.
- Sollte das Problem bestehen bleiben, nachdem Sie oben genannte Anweisungen befolgt haben, kontaktieren Sie bitte die nächstgelegene, autorisierte Servicestelle.
- Das von Ihnen erworbenen Gerät ist für die Verwendung im Haushalt ausgelegt und darf nur zu Hause und für die genannten Zwecke eingesetzt werden. Es ist nicht gewerbliche oder gemeinschaftliche Nutzung geeignet. Wenn der Käufer das Gerät nicht dementsprechend verwendet, weisen wir darauf hin, dass der Hersteller und der Händler nicht für Reparaturen oder Störungen während des Garantiezeitraums haften.

### **Energiespartipps**

1. Das Gerät in einem kühlen, gut belüfteten Raum aufstellen. Keinem direkten Sonnenlicht aussetzen und nicht neben Hitzequellen (Heizkörper, Herd usw.) stellen. Anderenfalls eine Dämmplatte verwenden.
2. Lassen Sie warme Speisen und Getränke außerhalb des Geräts abkühlen.
3. Decken Sie Getränke oder Flüssigkeiten ab, wenn Sie diese in das Gerät stellen, andernfalls steigt die Feuchtigkeit im Gerät an. Demzufolge verlängert sich dessen Arbeitszeit. Das Abdecken von Getränken und sonstigen Flüssigkeiten hilft auch, Geruch und Geschmack zu bewahren.
4. Vermeiden Sie es, die Gerätetür längere Zeit offen stehen zu lassen oder diese zu häufig zu öffnen. Es tritt dabei warme Luft in den Kühlschrank ein und bewirkt, dass sich der Kompressor unnötig oft einschaltet.
5. Halten Sie die Abdeckungen der unterschiedlichen Temperaturfächer (Gemüsefach, Kühler usw.) geschlossen.
6. Die Türdichtung muss sauber und biegsam sein. Abgenutzte Dichtungen ersetzen.

# GERÄTETEILE UND FÄCHER



Diese Darstellung dient nur zur Information über die Geräteteile.  
Die Teile können je nach Gerätemodell unterschiedlich sein.

1. Thermostatregler
2. Kühlschrankablageflächen
3. Gemüsefachabdeckung
4. Gemüsefächer
5. Linker & rechter Fuß
6. Abstellfach für Flaschen
7. Türablagen
8. Eierbehälter

1. Thermostatregler
2. Kühlschrankablageflächen
3. Gemüsefachabdeckung
4. Gemüsefächer
5. Abstellfach für Flaschen
6. Türablagen
7. Butterfachabdeckung \*
8. Eierbehälter

\* Bei einigen Modellen

## Installationsanleitung und Türanschlagwechsel für Ausführungen mit Schiene und Scharnieren

! Es wird empfohlen, die Installation durch autorisiertes, technisches Personal ausführen zu lassen

! Vor der Installation die Anleitungen aufmerksam durchlesen.

! Den Kühlschrank/Gefrierschrank nur in standsichere Küchenschränke einbauen.

! Die Schrankabmessungen ändern sich durch das Material der **Verkleidungsleiste**<sup>1</sup>.

1. Wenn die Verkleidungsleiste<sup>1</sup> aus Kunststoff ist, für die Schrankabmessungen in (Tabelle 1/B1) nachsehen.
2. Wenn die Verkleidungsleiste<sup>1</sup> aus Metall ist, für die Schrankabmessungen in (Tabelle 1/B2) nachsehen.

! Bei Bedarf den Türanschlag entsprechend den Anleitungen wechseln.

1. Siehe Abb. A für die notwendigen Befestigungselemente.
2. Die **Verkleidungsleiste**<sup>1</sup> in den Schlitz einsetzen und mit den **Schrauben**<sup>6</sup> anschrauben. (Abb. D)
3. Das Stromkabel durch den Belüftungsschacht führen und so positionieren, dass das Gerät nach dem Aufstellen leicht eingesteckt werden kann. (Abb. B - Abb. C)
4. Den **Dichtungstreifen**<sup>4</sup> an der Seitenwand des Geräts abnehmen und auf der den Türscharnieren des Geräts entgegengesetzten Seite aufstecken. (Abb. D - Abb. E)
5. Das Gerät anheben und in den Küchenschrank schieben.
6. Das Gerät an die den Türscharnieren entgegengesetzte Seite schieben. Dafür sorgen, dass der **Dichtungstreifen**<sup>2</sup> den Raum zwischen dem Gerät und dem Küchenschrank abdeckt.
7. Die vorderen Füße auf die Frontfläche des Küchenschanks ausrichten. (Abb. F)
8. Die vorderen Füße mit den **Schrauben**<sup>5</sup> anschrauben. (Abb. F)
9. Die **Verkleidungsleiste**<sup>1</sup> mit den **Schrauben**<sup>5</sup> an den Küchenschrank schrauben. (Abb. G)
10. Die **Führungen**<sup>3</sup> mit den **Schrauben**<sup>6</sup> an die Gerätetür schrauben. (Abb. H)
11. Die Gerätetür im rechten Winkel geöffnet an die Tür des Küchenschanks lehnen.
12. Die Schienen<sup>4</sup> in die **Führungen**<sup>3</sup> einschieben, dabei die Fuge ausrichten. (Abb. H)
13. Die **Schienen**<sup>4</sup> mit den **Schrauben**<sup>5</sup> an die Schranktür schrauben. (Abb. H)
14. Auf der Griffseite zwischen dem Küchenschrank und seiner Tür durch Anpassen der **Führungen**<sup>3</sup> einen Spalt von 1~2 mm einstellen. Dies ist für die Gerätefunktion unbedingt erforderlich. (Abb. H)

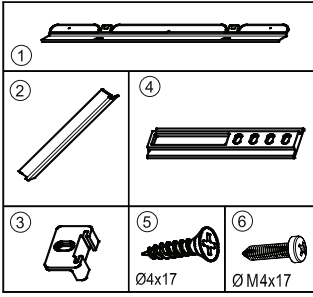


Abbildung A

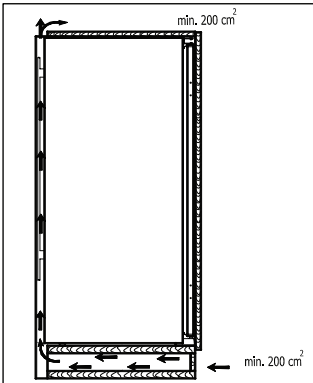


Abbildung B

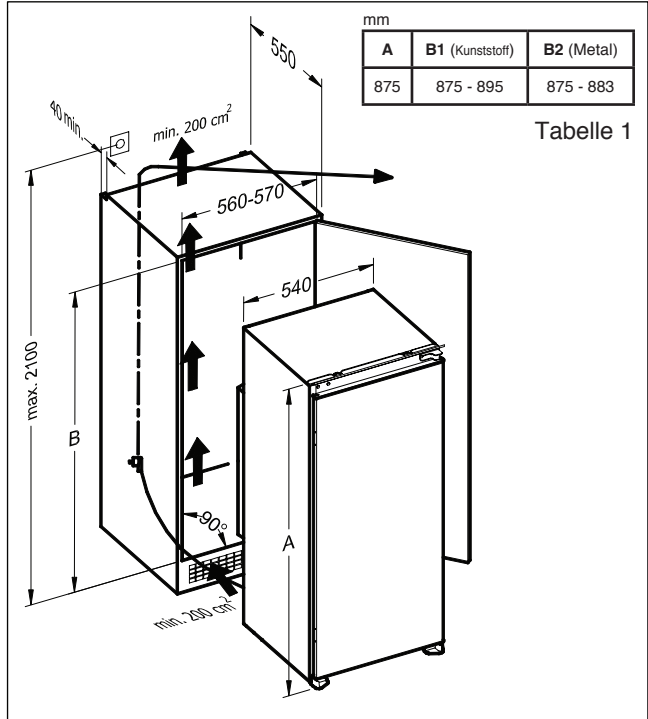


Tabelle 1

Abbildung C

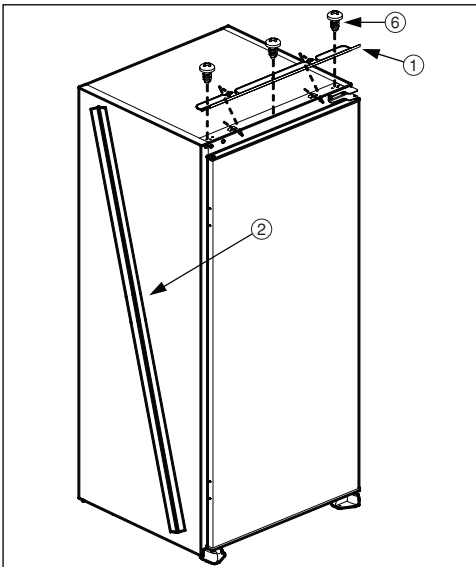


Abbildung D

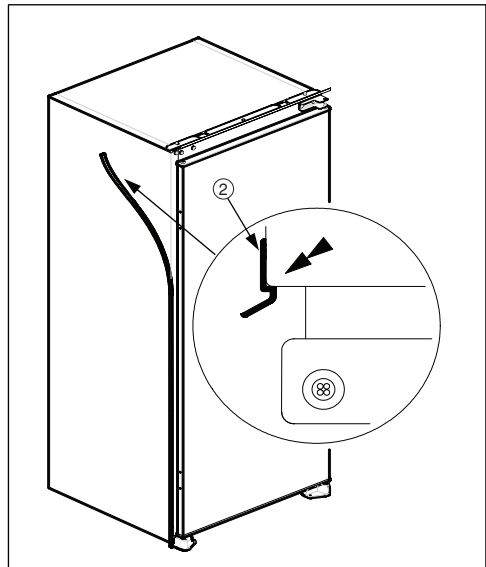


Abbildung E



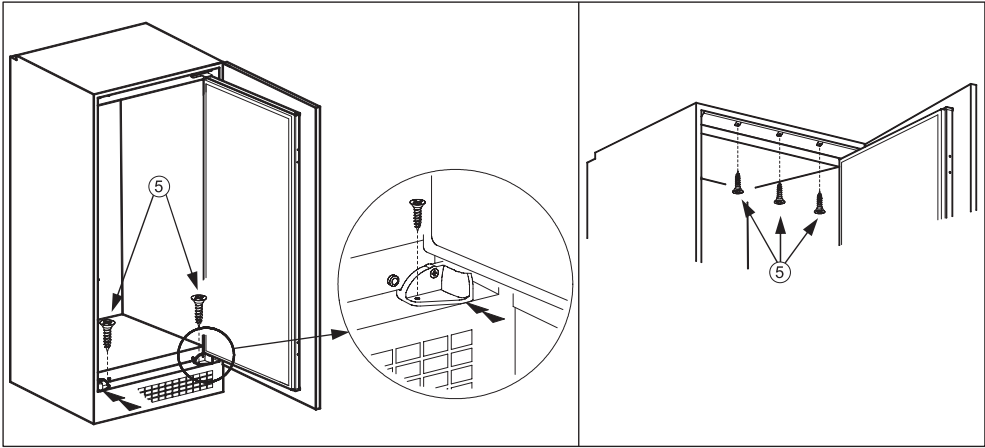


Abbildung F

Abbildung G

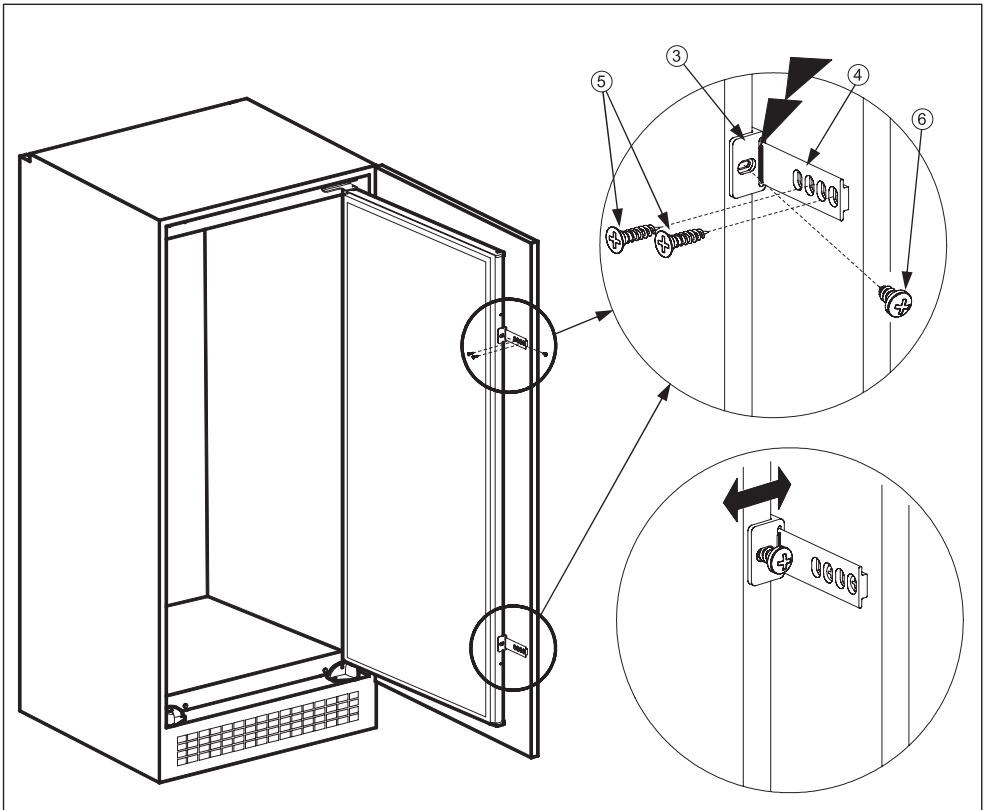


Abbildung H

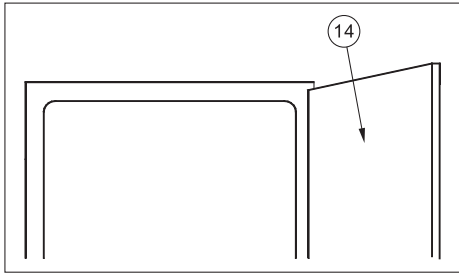


Abbildung J

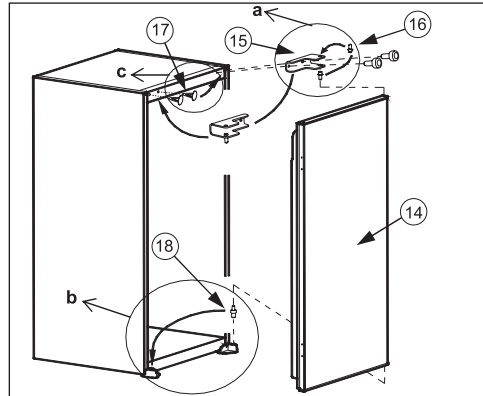


Abbildung K

### Türanschlagwechsel

1. Die **Gerätetür**<sup>14</sup> öffnen. (Abb. J)
2. Das **Türscharnier**<sup>15</sup> demontieren und die **Gerätetür**<sup>14</sup> an einen sicheren Ort stellen. (Abb. K)
3. Den **Türscharnierstift**<sup>16</sup> ausschrauben und an der gegenüberliegenden Seite festschrauben und die Tür wieder an einen sicheren Ort stellen. (Abb. Ka)
4. Den **unteren Türstift**<sup>18</sup> auf die gegenüberliegende Seite versetzen. (Abb. Kb)
5. Die **Bohrlochstopfen**<sup>17</sup> auf die gegenüberliegende Seite versetzen. (Abb. Kc)
6. Die **Gerätetür**<sup>14</sup> über dem **unteren Türstift**<sup>18</sup> platzieren und den **Türscharnierstift**<sup>16</sup> in die Scharnierbohrung auf der **Gerätetür**<sup>14</sup> einsetzen. Dann das **Türscharnier**<sup>15</sup> fest an der ursprünglichen Position gegenüberliegenden Seite anschrauben. (Abb. K)

## Installationsanleitungen für Produkte mit Hettich-Scharnieren

! Es wird empfohlen, diese Installation durch autorisiertes, technisches Personal ausführen zu lassen.

! Vor der Installation die Anleitungen aufmerksam durchlesen.

! Den Kühlschrank/Gefrierschrank nur in standsichere Küchenschränke einbauen.

! Die Schrankabmessungen ändern sich durch das Material der **Verkleidungsleiste**<sup>1</sup>.

1. Wenn die Verkleidungsleiste<sup>(1)</sup> aus Kunststoff ist, für die Schrankabmessungen in (Tabelle 1/B1) nachsehen.
2. Wenn die Verkleidungsleiste<sup>(1)</sup> aus Metall ist, für die Schrankabmessungen in (Tabelle 1/B2) nachsehen.

! Bei Bedarf den Türanschlag entsprechend den Anleitungen wechseln.

1. Siehe Abb. A für die notwendigen Befestigungselemente.
2. Die Verpackung öffnen. Den **Dichtungsabstandhalter**<sup>(9)</sup> nehmen und in drei Teile brechen, wie in Abbildung D gezeigt. Der mittlere Teil ist die **Türanschlagschiene**<sup>(10)</sup>. Die beiden anderen Teile sind **Abstandhalter der Schranktür**<sup>(11)</sup>. (Abb. D)
3. Die **Verkleidungsleiste**<sup>(1)</sup> in den Schlitz einsetzen und mit den **Schrauben**<sup>(8)</sup> anschrauben. (Abb. E)
4. Das Stromkabel durch den Belüftungsschacht führen und so positionieren, dass das Gerät nach dem Aufstellen leicht eingesteckt werden kann. (Abb. B - Abb. C)
5. Den **Dichtungstreifen**<sup>(4)</sup> auf die Höhe des Rücksprungs schneiden und auf der den Türscharnieren des Geräts entgegengesetzten Seite aufstecken. (Abb. E)
6. Das Gerät anheben und in den Küchenschrank schieben.
7. Das Gerät über die Scharnieren an den Küchenschrank lehnen und den vorderen Fuß auf die Frontfläche des Küchenschanks ausrichten. (Abb. F)
8. Die Gerätetür öffnen und den vorderen Fuß mit **Schrauben**<sup>(7)</sup> anschrauben. (Abb. G)
9. Die **Verkleidungsleiste**<sup>(1)</sup> mit den **Schrauben**<sup>(7)</sup> an den Küchenschrank schrauben. (Abb. G)
10. Die Scharniere mit den **Schrauben**<sup>(7)</sup> an den Küchenschrank schrauben. (Abb. G)
11. Die Gerätetür schließen. Die **Muttern**<sup>(14)</sup>, **Unterlegscheiben**<sup>(13)</sup> und **Einstellschrauben**<sup>(12)</sup> aus der Gerätetür schrauben und abnehmen. (Abb. H)
12. Die Auskleidungen der Streifen auf den **Türanschlagschienen**<sup>(10)</sup> herausnehmen. Die **Türanschlagschienen**<sup>(10)</sup> auf der Gerätetür platzieren, indem die Lagernaben auf den Bohrungen der Gerätetür eingesetzt werden. Die vordere Fläche der **Türanschlagschienen**<sup>(10)</sup> und die Gerätetür parallel aufeinander ausrichten. Die **Türanschlagschienen**<sup>(10)</sup> auf der Gerätetür stecken lassen. (Abb. H)
13. Den **Türanschlag**<sup>(2)</sup> in die **Türanschlagschienen**<sup>(10)</sup> einschieben. (Abb. J - Abb. K)
14. Die Auskleidungen der Streifen auf der Vorderseite des **Türanschlags**<sup>(2)</sup> herausnehmen.
15. Die Auskleidungen der Streifen auf den Abstandhaltern der Schranktür<sup>(11)</sup> herausnehmen und näher an den oberen Ecken auf die Schranktür stecken<sup>(15)</sup>. (Abb. K)
16. Lehnen Sie die **Küchenschranktür**<sup>(15)</sup> an den **Türanschlag**<sup>(2)</sup>. Richten Sie dabei die **Abstandhalter der Schranktür**<sup>(11)</sup> an den linken, rechten und oberen Kanten auf die Seiten des Küchenschanks oder die Fronttüren der danebenliegenden und oberen Küchenschränke aus. (Abb. K)

17. Stellen Sie sicher, dass die **Küchenschranktür**<sup>(15)</sup> auf dem **Türanschlag**<sup>(2)</sup> steckt. Ziehen Sie an der **Schranktür**<sup>(15)</sup> und lassen Sie dabei den **Türanschlag**<sup>(2)</sup> aus den **Anschlagsschienen**<sup>(10)</sup> gleiten. Beachten Sie, dass der **Türanschlag**<sup>(2)</sup> auf der **Schranktür**<sup>(15)</sup> stecken bleibt. (Abb. L)
18. Legen Sie die **Schranktür**<sup>(15)</sup> auf den Boden und schrauben Sie den **Türanschlag**<sup>(2)</sup> mit den **Schrauben**<sup>(7)</sup> an die **Schranktür**<sup>(15)</sup>. (Abb. L)
19. Um etwaige Möbelfehler zu beseitigen, gibt es **Abstandhalter aus Kunststoff**<sup>(A)</sup>, die am **Türanschlag**<sup>(2)</sup> stecken. Entfernen Sie diese **Abstandhalter aus Kunststoff**<sup>(A)</sup>. (Abb. M)
20. Entfernen Sie die **Türanschlagschienen**<sup>(10)</sup> von der Gerätetür. Schrauben Sie die **Einstellschrauben**<sup>(12)</sup> in die Bohrungen auf der Gerätetür. Lassen Sie dabei den notwendigen Platz, indem Sie die **Abstandhalter für die Schranktür**<sup>(11)</sup> verwenden. (Abb. N)
21. Öffnen Sie die Gerätetür. Platzieren Sie die **Schranktür**<sup>(15)</sup> auf der Gerätetür und setzen Sie die Einstellschrauben<sup>(12)</sup> in die Schlitze am **Türanschlag**<sup>(2)</sup> ein. (Abb. N)
22. Platzieren Sie die Unterlegscheiben<sup>(13)</sup> und schrauben Sie die **Muttern**<sup>(14)</sup> auf die **Einstellschrauben**<sup>(12)</sup>. (Abb. N)
23. Ein Spalt von 1~2 mm zwischen dem Küchenschrank und der Schranktür ist für die Gerätefunktion unbedingt notwendig. Schließen Sie die Tür und nehmen Sie die Feineinstellung der **Schranktür**<sup>(15)</sup> durch Ein- oder Ausschrauben der **Einstellschrauben**<sup>(12)</sup> für die vertikale Anpassung vor. Mithilfe der Schlitze an den **Türanschlägen**<sup>(2)</sup> können die anderen Richtungen angepasst werden. (Abb. P1)
24. Platzieren Sie die **unteren Türbefestigungen**<sup>(5)</sup> an der Gerätetürunterkante zwischen der Gerätetür und der **Schranktür**<sup>(15)</sup>. Schrauben Sie die **unteren Türbefestigungen**<sup>(5)</sup> mit den **Schrauben**<sup>(6)</sup> an die Gerätetür. (Abb. O)
25. Schrauben Sie die **unteren Türbefestigungen**<sup>(5)</sup> mit **Schrauben**<sup>(7)</sup> an die **Schranktür**<sup>(15)</sup>. (Abb. O)
26. Für die Anpassung des Abstands zwischen der oberen **Küchenschranktür**<sup>(15)</sup> und dem Schrank können Sie die **Schrauben**<sup>(6)</sup> lösen und dann den Abstand zwischen der **oberen Gerätetür**<sup>(19)</sup> und der **oberen Schranktür**<sup>(15)</sup> durch den Federeffekt der **unteren Türbefestigungen**<sup>(5)</sup> anpassen, während Sie die **Schrauben**<sup>(6)</sup> wieder einschrauben.
27. Schieben Sie **Anschlagabdeckung**<sup>(3)</sup> auf den **Türanschlag**<sup>(2)</sup>. (Abb. P2)

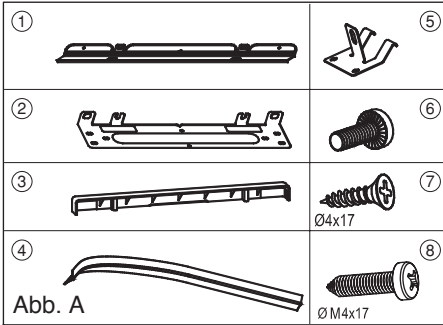


Abb. A

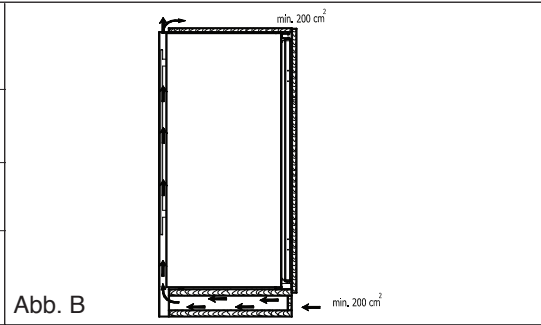


Abb. B

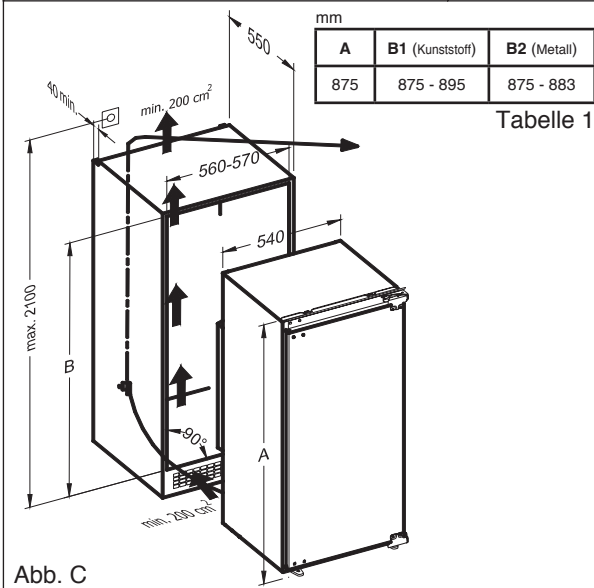


Tabelle 1

Abb. C

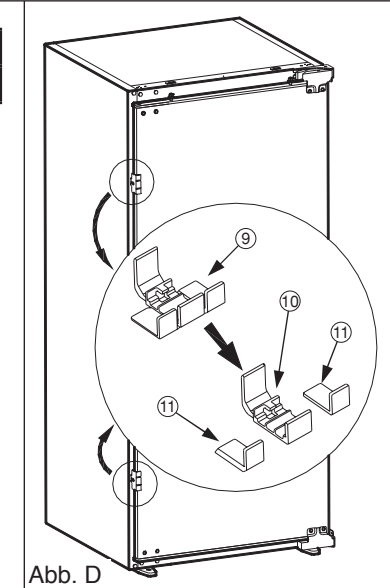


Abb. D

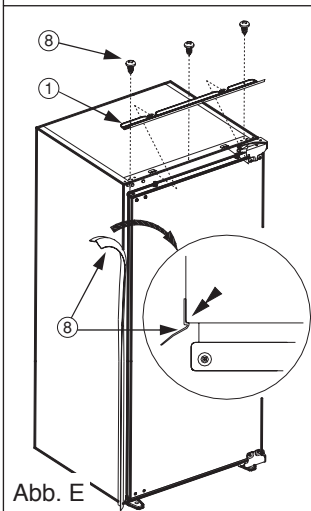


Abb. E

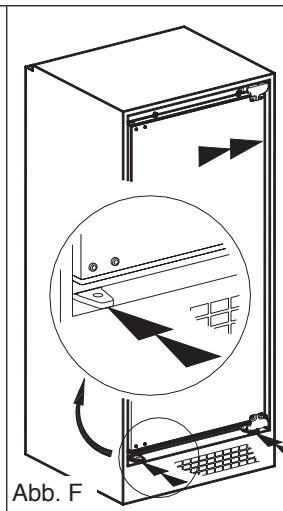


Abb. F

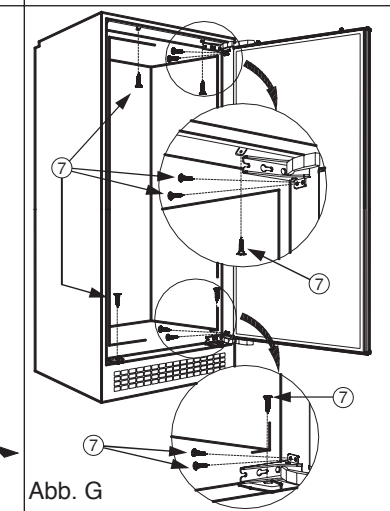


Abb. G

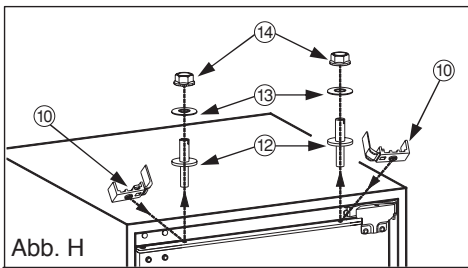


Abb. H

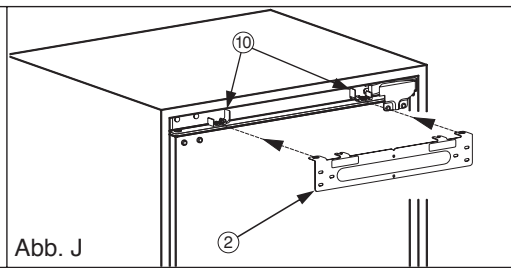


Abb. J

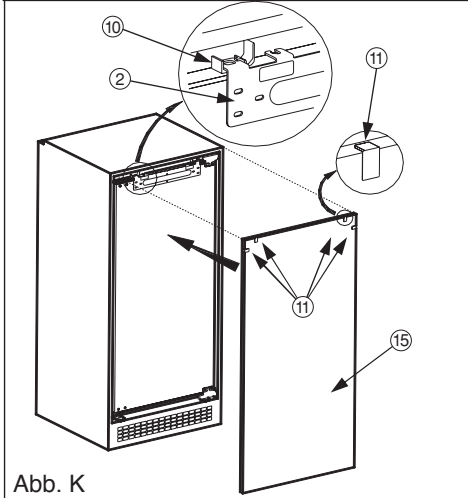


Abb. K

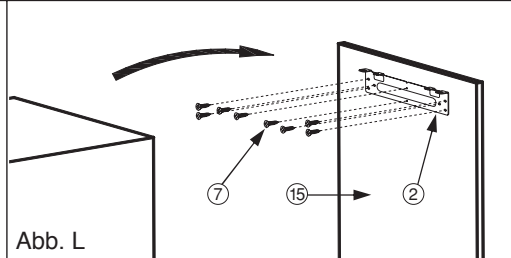


Abb. L

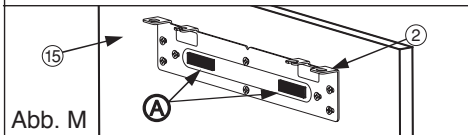


Abb. M

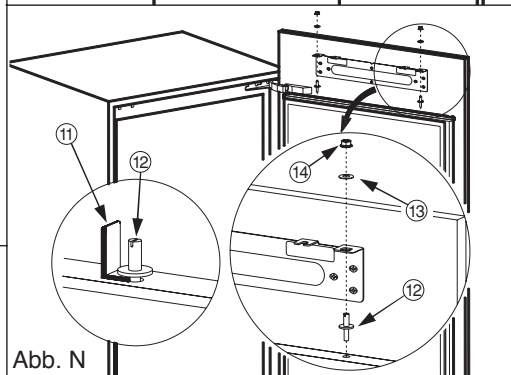


Abb. N

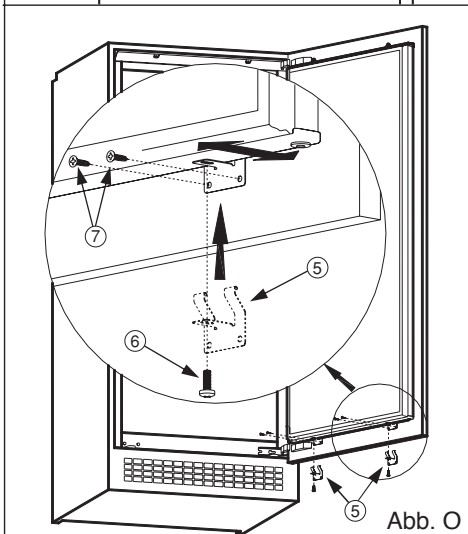


Abb. O

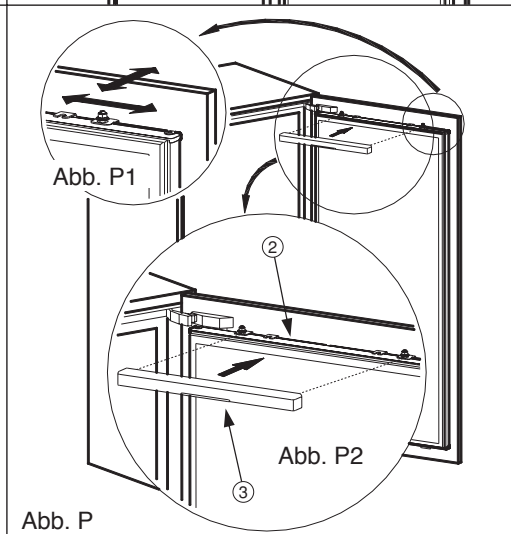


Abb. P

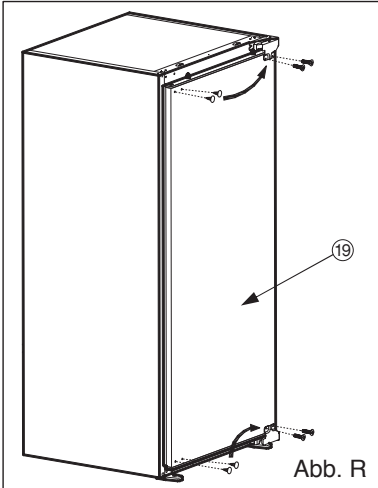


Abb. R

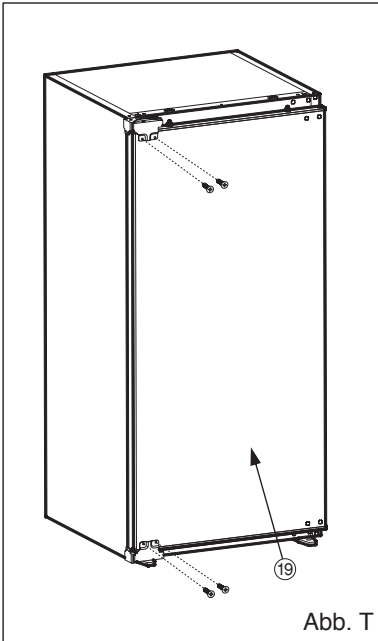


Abb. T

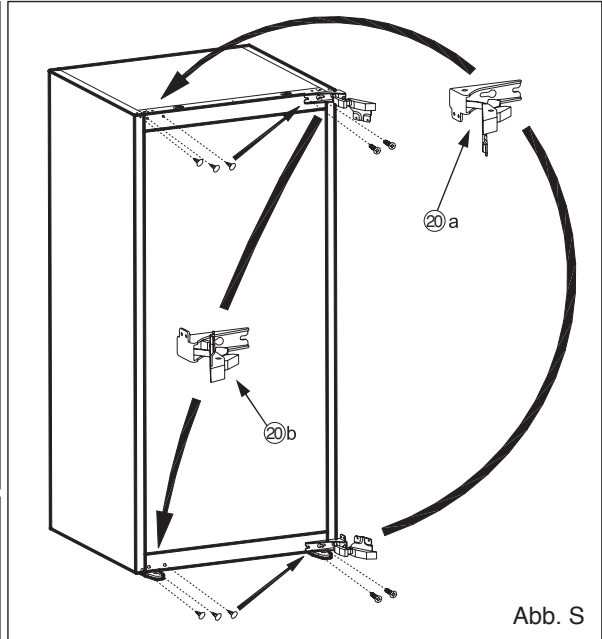


Abb. S

### Türanschlagwechsel

! Achten Sie darauf, Ihre Finger nicht in den Scharnieren einzuklemmen (**oberes Türscharnier**<sup>(20-a)</sup> und **unteres Türscharnier**<sup>(20-b)</sup>).

1. Öffnen Sie die **Gerätetür**<sup>(19)</sup>. (Abb. P)
2. Schrauben Sie die Schrauben auf der Frontfläche der **Gerätetür**<sup>(19)</sup> aus. Stellen Sie die **Gerätetür**<sup>(19)</sup> an einem sicheren Ort ab. (Abb. S)
3. Versetzen Sie die **Bohrlochstopfen** auf der Frontfläche der **Gerätetür**<sup>(19)</sup> in die Bohrungen auf der entgegengesetzten Seite. (Abb. S)
4. Öffnen Sie das **obere Türscharnier**<sup>(20-a)</sup> und das **untere Türscharnier**<sup>(20-b)</sup>. (Abb. S) und demontieren Sie diese. (Abb. T)
5. Versetzen Sie die **Bohrlochstopfen** auf die gegenüberliegende Seite. (Abb. T)
6. Bauen Sie das **obere Türscharnier**<sup>(20-a)</sup> und das **untere Türscharnier**<sup>(20-b)</sup> an den ihrer ursprünglichen Position gegenüberliegenden Ecken ein. (Abb. T)

# 1 CONSIGNES DE SÉCURITÉ

## 1.1 Avertissements généraux relatifs à la sécurité

**Lire attentivement la présente notice d'utilisation et la conserver pour une consultation ultérieure.**

**⚠ MISE EN GARDE:** Maintenir dégagées les ouvertures de ventilation dans l'enceinte de l'appareil ou dans la structure d'encastrement.

**⚠ MISE EN GARDE:** Ne pas utiliser de dispositifs mécaniques ou autres moyens pour accélérer le processus de dégivrage autres que ceux recommandés par le fabricant.

**⚠ MISE EN GARDE:** Ne pas utiliser d'appareils électriques à l'intérieur du compartiment de stockage des denrées, à moins qu'ils ne soient du type recommandé par le fabricant.


**⚠ MISE EN GARDE:** Ne pas endommager le circuit de réfrigération.

**⚠ AVERTISSEMENT:** Lors du positionnement de l'appareil, s'assurer que le cordon d'alimentation n'est pas coincé ni endommagé.

**⚠ AVERTISSEMENT:** Ne pas placer de socles mobiles de prises multiples ni de blocs d'alimentation portables à l'arrière de l'appareil.

**⚠ MISE EN GARDE:** Pour éviter tout risque dû à l'instabilité de l'appareil, celui-ci doit être fixé conformément aux instructions suivantes :



 Si votre appareil utilise le R600a comme réfrigérant (cette information est indiquée sur l'étiquette du réfrigérateur), veiller à éviter d'endommager les éléments du réfrigérateur lors de son transport et de son installation. Le R600a est un gaz naturel respectueux de l'environnement, mais il est explosif. En cas de fuite résultant d'un dommage occasionné aux éléments du réfrigérateur, déplacer ce dernier afin de l'éloigner de toute flamme nue ou source de chaleur et aérer la pièce où se trouve l'appareil pendant quelques minutes.

- Lors du transport ou de la mise en place du réfrigérateur, ne pas endommager le circuit du gaz réfrigérant.
- Ne pas stocker dans cet appareil des substances explosives telles que des aérosols contenant des gaz propulseurs inflammables.
- Cet appareil est destiné à être utilisé dans des applications domestiques et analogues telles que:
  - les coins cuisines réservés au personnel des magasins, bureaux et autres environnements professionnels;
  - les fermes et l'utilisation par les clients des hôtels, motels et autres environnements à caractère résidentiel;
  - les environnements de type chambres d'hôtes;
  - la restauration et autres applications similaires hormis la vente au détail.

- Si la prise ne correspond pas à la fiche du réfrigérateur, elle doit être remplacée par le fabricant, par un technicien ou par des personnes de qualification similaire afin d'éviter tout danger.
- Le câble électrique de votre réfrigérateur est muni d'une fiche de mise à la terre spéciale. Celle-ci doit être branchée à une prise mise à la terre avec un disjoncteur de 16 ampères en amont. Si votre logement ne comporte pas de prise de ce type, prière d'en faire installer une par un électricien qualifié.
- Cet appareil peut être utilisé par des enfants âgés d'au moins 8 ans et par des personnes ayant des capacités physiques, sensorielles ou mentales réduites ou dénuées d'expérience ou de connaissance, s'ils (si elles) sont correctement surveillé(e)s ou si des instructions relatives à l'utilisation de l'appareil en toute sécurité leur ont été données et si les risques encourus ont été appréhendés. Les enfants ne doivent pas jouer avec l'appareil. Le nettoyage et l'entretien par l'utilisateur ne doivent pas être effectués par des enfants sans surveillance.
- **Les enfants âgés de 3 à 8 ans sont autorisés à charger et décharger les appareils de réfrigération.** Le nettoyage et l'entretien des appareils de réfrigération ne doit pas être fait par des enfants. Les très jeunes enfants (0-3 ans) ne doivent pas utiliser les appareils de réfrigération, les

jeunes enfants (3-8 ans) doivent faire l'objet d'une surveillance continue lorsqu'ils utilisent **les appareils de réfrigération**, les enfants plus âgés (8-14 ans) et les personnes vulnérables peuvent utiliser **les appareils de réfrigération** en toute sécurité à condition d'être supervisés ou d'avoir reçu des instructions appropriées concernant leur utilisation. Les personnes très vulnérables ne doivent pas utiliser **les appareils de réfrigération** à moins de faire l'objet d'une surveillance continue.

- Si le câble d'alimentation est endommagé, il doit être remplacé par le fabricant, son service après vente ou des personnes de qualification similaire afin d'éviter un danger.
- **MISE EN GARDE:** Remplir le bac à glaçons uniquement avec de l'eau potable.

### **Pour éviter la contamination des aliments, il y a lieu de respecter les instructions suivantes :**

- Des ouvertures de la porte de manière prolongée sont susceptibles d'entraîner une augmentation significative de température des compartiments de l'appareil.
- Nettoyer régulièrement les surfaces susceptibles d'être contact avec les aliments et les systèmes d'évacuation accessibles.
- Entreposer la viande et le poisson crus dans les bacs du réfrigérateur qui conviennent, de telle sorte que ces denrées ne soient pas en contact avec

d'autres aliments ou qu'elles ne s'égouttent pas sur les autres aliments.

- Les compartiments des denrées congelées deux étoiles conviennent à la conservation des aliments pré-congelés, à la conservation ou à la fabrication de crème glacée et de glaçons.
- Les compartiments «une, deux et trois étoiles» ne conviennent pas pour la congélation des denrées alimentaires fraîches.
- Si l'**appareil de réfrigération** demeure vide de manière prolongée, le mettre hors tension, en effectuer le dégivrage, le nettoyer, le sécher, et laisser la porte ouverte pour prévenir le développement de moisissures à l'intérieur de l'appareil.

## 1.2 Avertissements relatifs à l'installation

Avant d'utiliser votre réfrigérateur pour la première fois, prière de vérifier les points suivants :

- La tension de fonctionnement de votre réfrigérateur est de 220/240 V à 50 Hz.
- Attendez 3 heures avant de brancher l'appareil, afin de garantir des performances optimales.
- La fiche doit rester accessible après l'installation.
- Votre réfrigérateur peut dégager une odeur lors de sa première mise en marche. Ceci est normal et cette odeur se dissipera lorsque votre réfrigérateur commencera à refroidir.
- Avant de brancher votre réfrigérateur, s'assurer que les informations figurant sur la plaque signalétique (tension et puissance raccordée) correspondent à celles de l'alimentation secteur. En cas de doute, consulter un électricien qualifié.
- Insérer la fiche dans une prise dotée d'une mise à la terre correcte. Si la prise ne dispose pas de contact de terre ou si la fiche ne correspond pas, nous recommandons de consulter un électricien qualifié pour obtenir de l'aide.
- L'appareil doit être raccordé avec une prise à fusible correctement installée. L'alimentation électrique (CA) et la tension au niveau du point de fonctionnement doivent correspondre aux informations indiquées sur la plaque signalétique de l'appareil (celle-ci se trouve sur la gauche à l'intérieur de l'appareil).
- Nous déclinons toute responsabilité en cas de dommages résultant d'une utilisation sans mise à la terre.
- Placer votre réfrigérateur à l'abri de la lumière directe du soleil.
- Votre réfrigérateur ne doit jamais être utilisé à l'extérieur ou exposé à la pluie.
- Votre appareil doit être placé à une distance d'au moins 50 cm de tout poêle, four à gaz et radiateur de chauffage et à au moins 5 cm de tout four électrique.

- Si votre réfrigérateur est placé à proximité d'un congélateur, une distance d'au moins 2 cm doit les séparer afin d'éviter la formation d'humidité au niveau de sa surface externe.
- Ne pas couvrir le corps ou le dessus du réfrigérateur avec une nappe ou un napperon. Ceci risquerait d'altérer ses performances.
- Un intervalle d'au moins 150 mm est requis au-dessus de l'appareil. Ne rien placer sur l'appareil.
- Ne pas poser d'objets lourds sur l'appareil.
- Nettoyer soigneusement l'appareil avant toute utilisation (voir Nettoyage et entretien).
- Avant d'utiliser votre réfrigérateur, essuyer tous ses éléments avec une solution composée d'eau chaude et d'une cuillère à café de bicarbonate de soude. Rincer ensuite à l'eau claire et sécher. Remettre tous les éléments du réfrigérateur en place après les avoir nettoyés.
- La procédure d'installation dans un bloc-cuisine est indiquée dans la notice d'installation. Ce produit est destiné à être utilisé dans des blocs-cuisines appropriés uniquement.

## 1.3 En cours d'utilisation

- Ne pas brancher le réfrigérateur au secteur à l'aide d'une rallonge électrique.
- Ne pas utiliser de fiches endommagées, tordues ou anciennes.
- Ne pas tirer, tordre ou endommager le cordon.
- N'utilisez pas d'adaptateur.
- Cet appareil est destiné à être utilisé par des adultes. Ne pas autoriser des enfants à jouer avec l'appareil ou à se suspendre à la porte.
- Ne jamais toucher le cordon/la fiche d'alimentation avec des mains humides. Ceci pourrait provoquer un court-circuit ou un choc électrique.

- Ne pas placer de matière explosive ou inflammable dans votre réfrigérateur. Ranger les boissons présentant une forte teneur en alcool verticalement dans le compartiment réfrigérateur et s'assurer que leurs bouchons sont hermétiquement fermés.

### **Anciens réfrigérateurs et réfrigérateurs hors d'usage**

- Si l'ancien réfrigérateur ou congélateur est équipé d'un système de verrouillage, briser ou retirer ce dernier avant la mise au rebut car des enfants pourraient s'enfermer à l'intérieur de manière accidentelle.
- Les anciens réfrigérateurs et congélateurs contiennent des matériaux d'isolation et des agents frigorigènes avec des chlorofluorocarbures. Par conséquent, attention à ne pas nuire à l'environnement lors de leur mise au rebut.

### **Déclaration CE de conformité**

Nous déclarons que nos produits sont conformes aux directives, décisions et réglementations européennes en vigueur et aux exigences répertoriées dans les normes référencées.

### **Mise au rebut de votre ancien appareil**

Le symbole sur le produit ou sur son emballage indique que ce produit ne doit pas être traité comme un déchet ménager. Il doit être transporté dans un point de collecte adapté au recyclage des équipements électriques et électroniques. La mise au rebut correcte de ce produit permet d'éviter toute conséquence négative éventuelle sur l'environnement et la santé, qui pourrait autrement être entraînée par une gestion des déchets inappropriée de ce produit. Pour obtenir des informations détaillées sur le recyclage de ce produit, contacter votre mairie, le centre de traitement des déchets ménagers ou le magasin dans lequel ce produit a été acheté.



### **Emballage et Environnement**

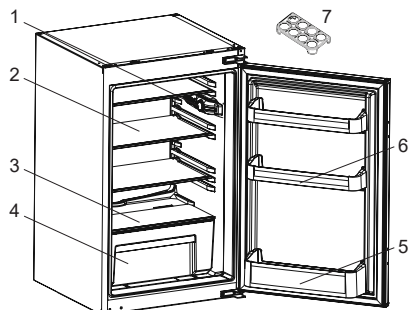
Les matériaux d'emballage protègent votre machine des dommages pouvant survenir pendant le transport. Les matériaux d'emballage sont respectueux de l'environnement car ils sont recyclables. L'utilisation de matériaux recyclés réduit la consommation de matières premières et donc la production de déchets.




### **Remarques :**

- Il convient de lire attentivement le manuel d'instructions avant d'installer et d'utiliser l'appareil. Nous ne sommes pas responsables des dommages dus à une mauvaise utilisation.
- Il convient de suivre toutes les instructions de l'appareil et du manuel d'instructions et de conserver ce manuel en lieu sûr pour pouvoir résoudre les problèmes pouvant survenir à l'avenir.
- Cet appareil a été conçu pour être utilisé dans les maisons et il ne peut être utilisé que dans des environnements domestiques et aux fins prévues. Il ne convient pas à une utilisation commerciale ou commune. Une telle utilisation entraînerait l'annulation de la garantie de l'appareil et notre société n'est pas responsable des pertes éventuelles.
- Cet appareil a été conçu pour être utilisé dans les maisons et il ne convient qu'au refroidissement/à la conservation des aliments. Il ne convient pas à une utilisation commerciale ou commune et/ou pour stocker toute autre substance que de la nourriture. Dans le cas contraire, notre société n'est pas responsable des pertes éventuelles.

## 2 DESCRIPTION DE L'APPAREIL



 Cette présentation des parties de l'appareil est fournie à titre informatif uniquement. Les parties peuvent varier en fonction du modèle d'appareil.

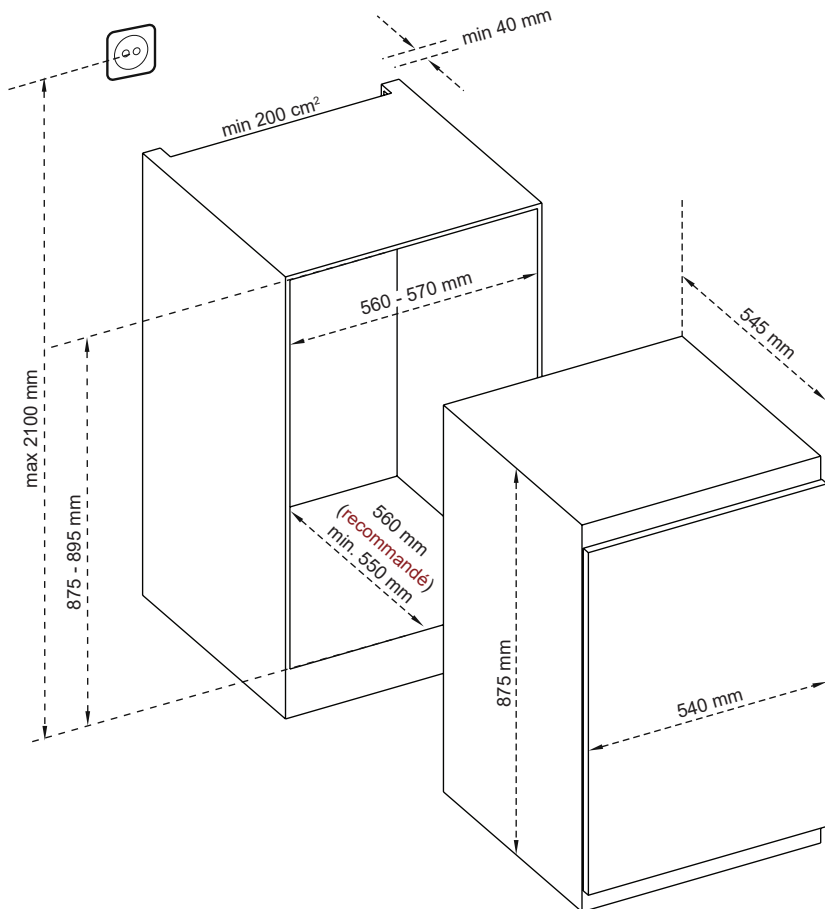
- 1) Boîtier thermostat
- 2) Clayette réfrigérateur
- 3) Couvercle du compartiment à légumes
- 4) Compartiment à légumes
- 5) Balconnet à bouteilles
- 6) Balconnets
- 7) Support porte-œufs

### **Remarques générales:**

**Compartiment des aliments frais (réfrigérateur) :** L'utilisation la plus efficace de l'énergie est assurée dans la configuration avec les tiroirs dans la partie inférieure de l'appareil, et les étagères uniformément réparties. La position des bacs de porte n'affecte pas la consommation d'énergie.

## 2.1 Dimensions

\* 875 - 883 pour couvercle métallique

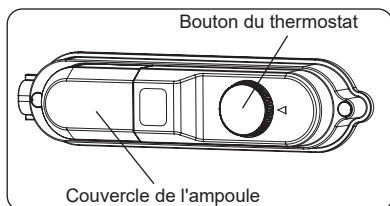




## 3 UTILISATION DE L'APPAREIL

### 3.1 Réglage du thermostat

Le thermostat régule automatiquement la température à l'intérieur des compartiment réfrigérateur. Des températures plus fraîches peuvent être obtenues en tournant le bouton sur des valeurs supérieures, de 1 à 5.



#### Paramètres du thermostat

- Mettre le bouton dans une position basse/intermédiaire, jusqu'à 3, pour une conservation à court terme de la nourriture dans l'appareil.
- Mettre le bouton dans une position intermédiaire, 3 ou 4, pour une conservation à long terme de la nourriture dans l'appareil.
- Mettre le bouton dans une position 5, pour refroidir des aliments frais. L'appareil fonctionne plus longtemps. Une fois les aliments refroidis, revenez à la position précédente.

**Il convient de noter les éléments suivants:** La température ambiante, la température des aliments nouvellement stockés et la fréquence d'ouverture de la porte affectent la température de l'appareil. Si nécessaire, modifier le réglage de la température.

### 3.2 Avertissements relatifs au réglage de la température

- La température environnante, la température des aliments frais stockés et le nombre de fois que la porte est ouverte, affectent la température dans le compartiment du réfrigérateur. Si nécessaire, changez le réglage de température.

- Il n'est pas recommandé d'utiliser le réfrigérateur dans des environnements dont la température est inférieure à 10 °C pour ménager son efficacité.
- Les réglages de température doivent être effectués en fonction de la fréquence d'ouverture de la porte, de la quantité de nourriture conservée dans le réfrigérateur et de la température ambiante de la pièce où il se trouve.
- Pour que le réfrigérateur atteigne sa température de fonctionnement après avoir été connecté au secteur, ne pas ouvrir les portes fréquemment ou conserver des quantités importantes de nourriture dans le réfrigérateur. Noter qu'en fonction de la température ambiante, il se peut que le réfrigérateur atteigne sa température de fonctionnement au bout de 24 heures.
- Si l'appareil est éteint ou débranché, vous devez attendre au moins 5 minutes avant de le remettre en marche ou de le rebrancher de manière à ne pas endommager le compresseur.
- L'appareil a été conçu pour fonctionner dans l'intervalle de température ambiante (N = 16 °C - 32 °C) préconisé dans les normes, conformément à la classe climatique indiquée sur l'étiquette d'information. Nous ne recommandons pas d'utiliser l'appareil en dehors des limites de température indiquées pour ménager l'efficacité du refroidissement. Consulter les avertissements associés.

#### Classe Climatique et signification :

**T (tropical) :** Cet appareil frigorifique est destiné à être utilisé à des températures ambiantes comprises entre 16 °C et 43 °C.

**ST (subtropical) :** Cet appareil frigorifique est destiné à être utilisé à des températures ambiantes comprises entre 16 °C et 38 °C.

**N (tempéré) :** Cet appareil frigorifique est destiné à être utilisé à des températures ambiantes comprises entre 16 °C et 32 °C.

**SN (Tempéré étendu) :** Cet appareil frigorifique est destiné à être utilisé à des températures ambiantes comprises entre 10 °C et 32 °C.

## 4 RANGEMENT DES ALIMENTS

- Pour diminuer l'humidité et éviter la formation de givre associée, toujours ranger les aliments dans des récipients fermés dans le réfrigérateur. Le givre a tendance à se concentrer dans les parties les plus froides où l'humidité des aliments s'évapore et, au fil du temps, votre appareil nécessitera un dégivrage plus fréquent.
- Ne jamais placer d'aliments chauds dans le réfrigérateur. Les aliments chauds doivent refroidir à température ambiante et être disposés de façon à permettre une circulation adéquate de l'air dans le compartiment réfrigérateur.
- S'assurer qu'aucun élément n'est en contact direct avec la paroi arrière de l'appareil car du givre risque de se former et l'emballage de coller à cette dernière. Ne pas ouvrir fréquemment la porte du réfrigérateur.
- Il est recommandé que la viande et le poisson vidé soient placés dans un emballage hermétique et mis sur la clayette en verre située juste au-dessus du bac à légumes où l'air est plus frais, ce qui offre des conditions de conservation optimales.
- Ranger les fruits et les légumes en vrac dans le compartiment à légumes.
- Le fait de séparer les fruits et les légumes permet d'éviter aux légumes sensibles à l'éthylène (légumes-feuilles, brocolis, carottes, etc. ) d'être altérés par les fruits générateurs d'éthylène (bananes, pêches, abricots, figues, etc. ).
- Ne pas placer de légumes humides dans le réfrigérateur.
- La durée de conservation de l'ensemble des aliments dépend de leur qualité initiale et du respect d'un cycle de réfrigération ininterrompu avant leur rangement dans le réfrigérateur.
- Pour éviter toute contamination croisée, ne pas ranger la viande avec des fruits et des légumes. L'eau s'écoulant de la viande risque de contaminer les autres

produits du réfrigérateur. Les produits carnés doivent être emballés et les coulures sur les clayettes doivent être nettoyées.

- Ne pas placer d'aliments sur le passage du flux d'air.
- Consommer les aliments emballés avant la date d'expiration recommandée.



**REMARQUE** : Les pommes de terre, les oignons et l'ail ne doivent pas être rangés dans le réfrigérateur.

- Pour des conditions de travail normales, il suffira de régler la température de votre réfrigérateur à +4 °C.
- La température du compartiment réfrigérateur doit être comprise entre 0 et 8 °C, les aliments frais en dessous de 0 °C sont glacés et pourrissent, la charge bactérienne augmente au-dessus de 8 °C et les aliments se détériorent.
- Ne mettez pas immédiatement les aliments chauds dans le réfrigérateur, attendez que la température diminue à l'extérieur. Les aliments chauds augmentent le degré de votre réfrigérateur et peuvent provoquer une intoxication alimentaire et une altération inutile des aliments.
- La viande, le poisson, etc. doivent être conservés dans le compartiment le plus réfrigéré des aliments, et le compartiment des légumes est préférable pour ranger les légumes. (si disponible)
- Pour éviter la contamination croisée, les produits à base de viande et les fruits et légumes ne doivent pas être rangés ensemble.
- Les aliments doivent être placés au réfrigérateur dans des récipients fermés ou couverts pour éviter l'humidité et les odeurs.

Le tableau ci-dessous est un guide rapide indiquant comment ranger le plus efficacement les aliments dans le compartiment réfrigérateur.

Aliment	Durée de conservation maximale	Méthode et lieu de conservation
Légumes et fruits	1 semaine	Bac à légumes
Viande et poisson	2 à 3 jours	Emballer dans un film ou des sacs plastiques ou dans une boîte conçue pour la viande et ranger sur la clayette en verre
Fromage frais	3 à 4 jours	Sur le balconnet indiqué
Beurre et margarine	1 semaine	Sur le balconnet indiqué
Produits en bouteille, par exemple lait et yaourt	Jusqu'à la date d'expiration recommandée par le producteur	Sur le balconnet indiqué
Œufs	1 mois	Sur le balconnet à œufs indiqué
Aliments cuits	2 jours	Toutes les clayettes

## 5 NETTOYAGE ET ENTRETIEN



Débrancher l'appareil de l'alimentation électrique avant de le nettoyer.



Ne pas nettoyer votre appareil en versant de l'eau dessus.



Ne pas utiliser de produits, de détergents ou de savons abrasifs pour nettoyer l'appareil. Après avoir procédé au lavage, rincer à l'eau claire et sécher soigneusement. Lorsque le nettoyage est terminé, rebrancher la fiche sur l'alimentation électrique avec les mains sèches.

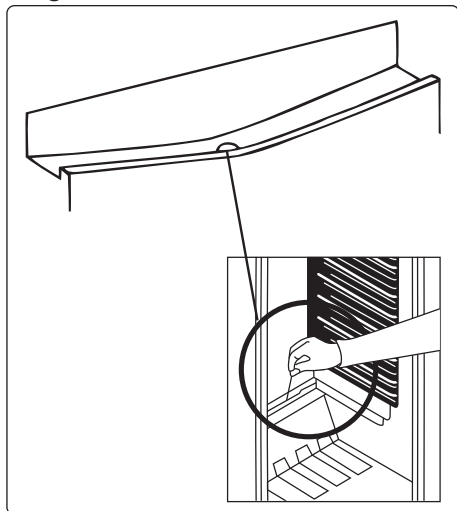
- S'assurer que l'eau ne pénètre pas dans le boîtier de la lampe et dans d'autres composants électriques.
- L'appareil doit être nettoyé régulièrement à l'aide d'une solution à base de bicarbonate de soude et d'eau tiède.
- Nettoyer les accessoires séparément à la main avec du savon et de l'eau. Ne pas laver les accessoires au lave-vaisselle.
- Nettoyer le condenseur avec une brosse au moins deux fois par an. Ceci permet de réaliser des économies d'énergie et d'améliorer le rendement.



**L'alimentation électrique doit être débranchée pendant le nettoyage.**


## 5.1 Décongélation

### Dégivrage du compartiment du réfrigérateur



- Le dégivrage s'effectue automatiquement en cours de fonctionnement dans le compartiment du réfrigérateur. L'eau est recueillie par le bac d'évaporation et s'évapore automatiquement.
- Le bac d'évaporation et l'orifice d'évacuation de l'eau doivent être nettoyés périodiquement en utilisant la tige de vidange pour éviter que l'eau ne stagne en bas du réfrigérateur au lieu de s'écouler.
- Il est également possible de nettoyer l'orifice d'évacuation en y versant un demi-verre d'eau.

### Remplacement de l'éclairage LED

 Pour remplacer ces LED, prière de contacter le service après-vente agréé.

## 6 TRANSPORT ET CHANGEMENT DE PLACE

### 6.1 Transport et changement de place

- L'emballage d'origine et la mousse peuvent être conservés pour transporter de nouveau l'appareil (de façon optionnelle).
- Envelopper votre appareil avec un emballage épais, des sangles ou des cordes solides et suivre les instructions de transport figurant sur l'emballage.
- Retirer toutes les pièces amovibles (les clayettes, les accessoires, les bacs à légumes, etc.) ou les fixer dans l'appareil à l'aide de ruban adhésif pour éviter les chocs en cas de changement de place ou de transport.



Toujours transporter votre appareil en position verticale.

## 7 AVANT DE CONTACTER LE SERVICE APRÈS-VENTE

Si votre réfrigérateur ne fonctionne pas correctement, il se peut qu'il présente un problème mineur. Vérifier ce qui suit.

### L'appareil ne fonctionne pas

#### Vérifier si :

- Il est alimenté en électricité.
- Il est raccordé au secteur.
- L'un des fusibles est-t-il grillé?
- La prise est défectueuse. Pour vérifier cela, brancher un autre appareil en état de marche sur la même prise.

### L'appareil fonctionne mal

#### Vérifier si :

- L'appareil est trop chargé.
- Les portes sont correctement fermées.
- De la poussière se trouve sur le condenseur.
- L'espace situé à l'arrière et sur les côtés est suffisant.

### Votre réfrigérateur fonctionne bruyamment

Les bruits suivants peuvent être entendus pendant le fonctionnement normal de l'appareil.

**Un cliquetis se produit :** Lorsque le thermostat allume/éteint le compresseur.

**Bruit de moteur :** Indique que le compresseur fonctionne normalement. Le compresseur peut provoquer plus de bruit pendant une courte période lorsqu'il se met en marche pour la première fois.

**Un bruit de bouillonnement et un clapotis se produisent :** Ceci est dû au flux du réfrigérant dans les tuyaux du système.

## Il y a de l'eau dans la partie inférieure du réfrigérateur

### Vérifier si :

L'orifice d'évacuation de l'eau n'est pas bouché (utiliser la tige de vidange du dégivrage pour nettoyer l'orifice d'évacuation).

### Une accumulation d'humidité se produit dans le réfrigérateur

#### Vérifier si :

- L'ensemble des aliments sont emballés correctement. Les emballages doivent être secs avant d'être placés dans le réfrigérateur.
- Les portes du réfrigérateur sont ouvertes fréquemment. L'humidité de la pièce pénètre dans le réfrigérateur à chaque fois que les portes sont ouvertes. L'humidité augmente rapidement si les portes sont ouvertes fréquemment, notamment si l'humidité de la pièce est élevée.

### Les portes ne s'ouvrent pas ou ne se ferment pas correctement

#### Vérifier si :

- De la nourriture ou des emballages empêchent la fermeture de la porte
- Les compartiments des portes, les clayettes et les tiroirs sont parfaitement en place
- Les joints de porte sont cassés ou tordus
- Votre réfrigérateur est de niveau.

### Recommandations

- Si l'appareil est mis hors tension ou débranché, attendre au moins 5 minutes avant de brancher l'appareil ou de le redémarrer afin d'éviter d'endommager le compresseur.
- Si l'appareil n'est pas utilisé pendant une période prolongée (comme pendant les vacances), débrancher la fiche. Dégivrer et nettoyer le réfrigérateur, puis laisser la porte ouverte pour éviter la formation de moisissures et d'odeurs.
- Si un problème persiste après avoir suivi toutes les instructions ci-dessus, prière de consulter votre technicien agréé le plus proche.

- Cet appareil est destiné à un usage domestique uniquement. Il ne convient pas à une utilisation commerciale ou commune. Si le consommateur utilise l'appareil d'une façon inappropriée, nous insistons sur le fait que le fabricant et le vendeur ne pourront être tenus responsables quant à une quelconque réparation ou panne survenant pendant la période de garantie.

## **8 CONSEILS POUR ÉCONOMISER DE L'ÉNERGIE**

1. Installer l'appareil dans une pièce fraîche et bien ventilée, mais pas à la lumière directe du soleil ou à proximité d'une source de chaleur (comme un radiateur ou un four), dans le cas contraire une plaque isolante doit être utilisée.
2. Laisser les aliments et les boissons refroidir avant de les placer dans l'appareil.
3. Les boissons et les aliments doivent être conservés fermés dans l'appareil. Dans le cas contraire, l'humidité augmente et, par conséquent, l'appareil utilise plus d'énergie. Conserver les boissons et autres liquides fermés permet de préserver leur odeur et leur goût.
4. Éviter de laisser les portes ouvertes pendant des périodes prolongées et d'ouvrir les portes trop fréquemment car de l'air chaud pénètre alors dans l'appareil et provoque une mise en marche inutile et fréquente du compresseur.
5. Laisser les couvercles des compartiments ayant une température différente (comme les compartiments à légumes et fraîcheur) fermés.
6. Le joint de la porte doit être propre et souple. Remplacer les joints s'ils sont usés.

## 9 DONNÉES TECHNIQUES

Les informations techniques figurent sur la plaque signalétique sur le côté intérieur de l'appareil et sur l'étiquette énergétique.

Le code QR présent sur l'étiquette énergétique fournie avec l'appareil contient un lien Web vers les informations relatives aux performances de l'appareil dans la base de données EPREL de l'UE.

Conservez l'étiquette énergétique à titre de référence avec le manuel d'utilisation et tous les autres documents fournis avec cet appareil.

Il est également possible de trouver les mêmes informations dans EPREL à l'aide du lien <https://eprel.ec.europa.eu> avec le nom du modèle et le numéro de produit se trouvant sur la plaque signalétique de l'appareil.

## 10 INFORMATIONS POUR LES INSTITUTS DE TEST

L'installation et la préparation de l'appareil pour une vérification EcoDesign doivent être conformes à la norme EN 62552.

Les exigences de ventilation, les dimensions des évidements et les dégagements arrière minimum doivent correspondre aux indications du [section 2](#) de ce manuel d'utilisation. Veuillez contacter le fabricant pour de plus amples informations, notamment les plans de chargement.

## 11 SERVICE ET ASSISTANCE À LA CLIENTÈLE

Utilisez toujours des pièces de rechange d'origine.

Lorsque vous contactez notre centre de service agréé, assurez-vous que vous disposez des données suivantes: modèle, numéro de série et indice de service.

Ces informations se trouvent sur la plaque signalétique. Sous réserve de modifications sans préavis.

Les pièces de rechange d'origine pour certains composants spécifiques sont disponibles pendant 10 ans à compter de la date de mise sur le marché de la dernière unité du modèle.

Visitez notre site Web pour:  
[www.vestel.com](http://www.vestel.com)

# VEILIGHEIDSVORSCHRIFTEN


Belangrijk moet worden gelezen en in acht genomen

Lees voordat u het apparaat gaat gebruiken deze veiligheidsinstructies.

Bewaar ze in de buurt voor toekomstige raadpleging.


Deze instructies en het apparaat zelf zijn voorzien van belangrijke veiligheidsaanwijzingen, die te allen tijde moeten worden opgevolgd.

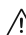
De fabrikant kan niet aansprakelijk gesteld worden voor schade die het gevolg is van het niet opvolgen van deze veiligheidsinstructies, oneigenlijk gebruik of een foute programmering van de regelknoppen.

 Heel kleine kinderen (0-3 jaar) moeten uit de buurt van het apparaat blijven. Jonge kinderen (3-8 jaar) moeten uit de buurt van het apparaat blijven, tenzij ze de hele tijd onder toezicht staan.


Kinderen vanaf 8 jaar en personen met verminderde fysieke, sensorische of mentale vermogens of gebrek aan ervaring en kennis, mogen dit apparaat gebruiken indien ze onder toezicht staan of instructies hebben ontvangen over veilig gebruik en de mogelijke gevaren ervan begrijpen. Kinderen mogen niet spelen met het apparaat. De reiniging en het onderhoud mogen niet door kinderen worden uitgevoerd zonder toezicht.


## TOEGESTAAN GEBRUIK


 **VOORZICHTIG:** Het apparaat is niet geschikt voor inwerkingstelling met een externe schakelaar zoals een timer, of een afzonderlijk systeem met afstandsbediening.

 Dit apparaat is bedoeld voor gebruik in huishoudelijke en gelijkaardige toepassingen zoals: personeelskeukens in winkels, kantoren en overige werkomgevingen; in landbouwbedrijven; door klanten in

hotels, motels, bed & breakfast en andere verblijfsomgevingen.

 Dit apparaat is niet geschikt voor een professioneel gebruik. Gebruik het apparaat niet buiten.

 De lamp die in het apparaat wordt gebruikt is specifiek ontworpen voor huishoudapparaten en is niet geschikt voor ruimteverlichting (EG Verordening 244/2009).

 Het apparaat is bedoeld voor gebruik op plaatsen waar de temperatuur binnen het volgende bereik komt, conform de klimaatklasse op het typeplaatje.


Mogelijk werkt het apparaat niet correct indien het lange tijd op een temperatuur buiten het aangegeven bereik wordt gebruikt.


## Omgevingstemperaturen van klimaatklasse:

SN: van 10 tot 32 °C  
ST: van 16 tot 38 °C;  
N: van 16 tot 32 °C  
T: van 16 tot 43 °C



Dit apparaat bevat geen CFK. Het koelcircuit bevat R600a (HC). Apparaten met Isobutaan (R600a): isobutaan is een natuurlijk gas dat geen schadelijke invloed heeft op het milieu, maar wel ontvlambaar is. Zorg er daarom voor dat de koelcircuitleidingen niet beschadigd raken, vooral wanneer het koelcircuit geleidigd wordt.

 **WAARSCHUWING:** Beschadig de koelcircuitleidingen van het apparaat niet.

 **WAARSCHUWING:** Houd de ventilatieopeningen in de behuizing van het apparaat of in de ingebouwde



structuur vrij van obstakels.

⚠ WAARSCHUWING: Gebruik geen mechanische, elektrische of chemische middelen behalve de middelen aanbevolen door de fabrikant om het ontdooiproces te versnellen.

⚠ WAARSCHUWING: Gebruik of plaats geen elektrische apparaten binnenin de apparaatcompartimenten indien deze niet het type zijn dat uitdrukkelijk is goedgekeurd door de Fabrikant.

⚠ WAARSCHUWING: IJsmakers en/of waterdispensers die niet rechtstreeks op het waterleidingnet zijn aangesloten, mogen uitsluitend met drinkwater worden gevuld.

⚠ Sla geen ontplofbare stoffen zoals spuitbussen op en gebruik geen benzine of andere brandbare materialen in of in de buurt van het apparaat.

⚠ Slik de (niet-giftige) vloeistof uit de vrieselementen niet in (bij enkele modellen). Eet geen ijsblokjes of waterijsjes die net uit de vriezer komen, aangezien deze vriesbrandwonden kunnen veroorzaken.

⚠ Bij producten ontworpen voor gebruik met een luchtfilter in een toegankelijke ventilatorafdekking, moet het filter altijd zijn aangebracht wanneer de koelkast in bedrijf is.

⚠ Bewaar geen glazen containers met vloeistoffen in het diepvriescompartiment, omdat ze kunnen breken. Blokkeer de ventilator (indien aanwezig) niet met levensmiddelen. Nadat de levensmiddelen in het apparaat zijn geplaatst dient gecontroleerd te worden of de deuren van de vakken goed sluiten, met name de deur van het vriesvak.

⚠ Een beschadigde afdichting dient zo snel mogelijk vervangen te worden.

⚠ Gebruik het koelkastcompartiment uitsluitend voor het bewaren van vers voedsel en het diepvriescompartiment uitsluitend voor het bewaren van bevroren voedsel, het invriezen van vers voedsel en het maken van ijsblokjes.

⚠ Vermijd het bewaren van onverpakt voedsel in direct contact met interne oppervlakken van de koelkast- of diepvriescompartimenten.

Apparaten kunnen over speciale compartimenten beschikken (vak voor verse etenswaar, nul gradenvak,...). Indien niet anders gespecificeerd in de productbeschrijving, kunnen deze compartimenten verwijderd worden zonder dat hierdoor de prestaties veranderen.



C-pentaan wordt gebruikt als blaasmiddel in het isolatieschuim en is een licht ontvlambaar gas.

## INSTALLATIE

⚠ Het apparaat moet gehanteerd en geïnstalleerd worden door twee of meer personen - risico van verwondingen. Gebruik beschermende handschoenen om uit te pakken en te installeren - risico van snijwonden.

⚠ Laat de installatie, m.i.v. de aansluiting op het waternet (indien van toepassing), de elektrische aansluitingen en reparaties door een gekwalificeerd technicus verrichten. Repareer of vervang geen enkel onderdeel van het apparaat, behalve als dit expliciet aangegeven wordt in de gebruikershandleiding. Houd kinderen uit de buurt van de installatieplaats. Controleer na het uitpakken van het apparaat

of het tijdens het transport geen beschadigingen heeft opgelopen. Neem in geval van twijfel contact op met uw leverancier of de dichtstbijzijnde Whirlpool Consumentenservice. Na de installatie moet het verpakkingsmateriaal (plastic, piepschuim enz.) buiten het bereik van kinderen bewaard worden - risico voor verstikking. Het apparaat moet worden losgekoppeld van het elektriciteitsnet voordat u installatiewerkzaamheden uitvoert - risico voor elektrocutie. Tijdens de installatie dient u ervoor te zorgen dat het apparaat de voedingskabel niet beschadigt - risico voor brand of elektrocutie. Activeer het apparaat alleen als de installatie is voltooid.

⚠ Zorg dat u de vloer (bijv. parket) niet beschadigt tijdens het verplaatsen van het apparaat. Installeer het apparaat op een vloer of steun die sterk genoeg is om het gewicht te kunnen hebben, en op een plaats die geschikt is voor grootte en gebruik. Controleer of het apparaat niet vlak naast een warmtebron staat en of de vier pootjes stevig op de vloer rusten, stel ze naar wens af en controleer of het apparaat exact horizontaal staat en gebruik hiervoor een waterpas. Wacht minstens twee uur alvorens het apparaat in te schakelen om zeker te stellen dat het koelcircuit volledig efficiënt is.

De ruimte die nodig is voor de installatie van het apparaat is aangegeven in de handleiding.

⚠ **WAARSCHUWING:** Zorg er bij het plaatsen van het apparaat voor dat de voedings snoer niet geklemd zit of beschadigd is.

⚠ **WAARSCHUWING:** Om gevaar als gevolg van instabiliteit te voorkomen, moet de positionering of bevestiging van het apparaat worden uitgevoerd

volgens de instructies van de fabrikant.

Het is verboden de koelkast dusdanig te plaatsen dat de metalen slang van de gaskachel, de metalen gas- of waterleidingen of de elektrische draden in contact komen met de achterwand van de koelkast (condensatorspoel).

## **ELEKTRISCHE WAARSCHUWINGEN**

⚠ Het moet mogelijk zijn het apparaat van het elektriciteitsnet af te koppelen door de stekker uit het stopcontact te halen of via een meerpolige netschakelaar die bovenstreams van het stopcontact is geplaatst conform de bedradingsvoorschriften en het apparaat dient geaard te zijn conform de nationale veiligheidsnormen voor elektriciteit.


⚠ Gebruik geen verlengsnoeren, meervoudige stopcontacten of adapters. Als de installatie voltooid is, mogen de elektrische onderdelen niet meer toegankelijk zijn voor de gebruiker. Gebruik het apparaat niet wanneer u natte voeten hebt of blootsvoets bent.


Gebruik het apparaat niet als de stroomkabel of de stekker beschadigd is, als het apparaat niet goed werkt of als het beschadigd of gevallen is.

⚠ Als de voedingskabel beschadigd is, moet het door de fabrikant, zijn technicus of een gelijkaardig gekwalificeerd persoon vervangen worden door een identieke kabel, om gevaarlijke situaties en risico van elektrocutie te voorkomen.

⚠ **WAARSCHUWING:** Meerdere draagbare stopcontacten of draagbare voedingen mogen niet aan de achterkant van het apparaat worden geplaatst.

## REINIGING EN ONDERHOUD

 **WAARSCHUWING:** Het apparaat moet worden losgekoppeld van het elektriciteitsnet voordat u installatiewerkzaamheden uitvoert; gebruik nooit stoomreinigers - risico van elektrocutie.

 Gebruik op kunststof onderdelen, binnen- en deurranden of afdichtingen geen schurende of agressieve schoonmaakmiddelen zoals ruitensprays, schurende reinigingsmiddelen, brandbare vloeistoffen, schoonmaakwassen, geconcentreerde schoonmaakmiddelen, bleekmiddelen en reinigingsmiddelen die aardolieproducten bevatten. Gebruik geen papieren handdoeken, schuursponsjes of ander hard schoonmaakmateriaal.

## VERWERKING VAN DE VERPAKKING

De verpakking kan volledig gerecycled worden, zoals door het recyclingssymbool wordt aangegeven .

De diverse onderdelen van de verpakking mogen daarom niet bij het gewone huisvuil worden weggegooid, maar moeten worden afgevoerd volgens de plaatselijke voorschriften.

## AFDANKEN VAN HUISHOUDELIJKE APPARATUUR

Dit apparaat is vervaardigd van recyclebaar of herbruikbaar materiaal.

Dank het apparaat af in overeenstemming met plaatselijke milieuvoorschriften voor afvalverwerking.

Voor meer informatie over behandeling, terugwinning en recycling van huishoudelijke apparaten kunt u contact opnemen met uw plaatselijke instantie, de vuilnisophaaldienst of de winkel waar u dit apparaat hebt gekocht. Dit apparaat is voorzien van het merkteken volgens de Europese Richtlijn 2012/19/EU inzake Afgedankte elektrische en elektronische apparaten (AEEA).

Door ervoor te zorgen dat dit product correct wordt afgedankt, helpt u mogelijke schadelijke gevolgen voor het milieu en de gezondheid te voorkomen.

Het symbool  op het product of op de begeleidende documentatie geeft aan dat dit apparaat niet als huishoudelijk afval behandeld mag worden, maar dat het ingeleverd moet worden bij een speciaal inzamelingscentrum voor de recycling van elektrische en elektronische apparatuur.

## TIPS OM ENERGIE TE BESPAREN

Volg de installatie-instructies om voldoende ventilatie te garanderen.

Door onvoldoende ventilatie aan de achterzijde van het product neemt het energieverbruik toe en neemt de koefficiëntie af.

Wanneer de deur vaak wordt geopend kan dit leiden tot een verhoogd Energieverbruik. De interne temperatuur van het apparaat en het Energieverbruik worden beïnvloed door de omgevingstemperatuur en de plaats waar het apparaat opgesteld is. Bij het instellen van de temperatuur moet rekening gehouden worden met deze factoren. Beperk het openen van deuren tot een minimum.

Plaats diepgevroren etenswaren die u wilt ontdooien in de koelkast. De lage temperatuur van de diepgevroren etenswaar koelt de etenswaar in de koelkast. Laat warme gerechten en dranken eerst afkoelen voordat ze in het apparaat geplaatst worden.

De positionering van de platen in de koelkast heeft geen invloed op het efficiënte energiegebruik. De etenswaar dient zodanig op de platen geplaatst te worden om voor voldoende luchtcirculatie te zorgen (de verschillende etenswaar dient elkaar niet te raken en de afstand tussen de etenswaar en de achterwand moet behouden blijven).

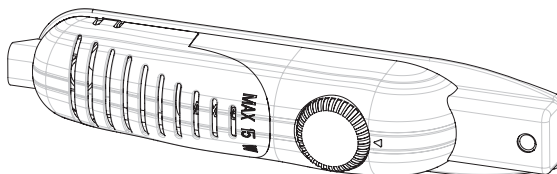
U kunt de opslagcapaciteit voor ingevroren etenswaar vergroten door opslagmanden en, indien aanwezig, de Stop Frost-plaat te verwijderen.

Wees niet verontrust over geluiden die van de compressor komen want dat zijn de normale geluiden van werking.

# GEBRUIK VAN HET APPARAAT

## Thermostaat instellen

- De thermostaat stelt de binnentemperatuur van de koelkast automatisch af. Door de knop te draaien van stand 1 naar 5 worden koudere temperaturen ingesteld.
- De stand “•” geeft aan dat de thermostaat gesloten is en dat er niet gekoeld wordt.
- Voor het bewaren van voedsel in de koelkast voor korte tijd zet u de knop tussen de minimumstand en de middenstand (1-3).
- Voor het bewaren van voedsel in de koelkast voor lange tijd zet u de knop op de middenstand (3-4).



**Let op:** De omgevingstemperatuur, de temperatuur van het vers opgeslagen voedsel en het aantal malen dat de deur wordt geopend beïnvloeden de temperatuur in de koelkast. Wijzig zo nodig de temperatuurinstelling.

- Wanneer u het apparaat de eerste maal aanzet, moet u het, in het ideale geval, 24 uren lang laten draaien zonder voedsel erin en de deur niet openen. Als u het onmiddellijk moet gebruiken, laad dan geen grote hoeveelheden voedsel erin.
- Als het apparaat wordt uitgeschakeld of de stekker wordt uitgetrokken, moet u tenminste 5 minuten wachten alvorens het apparaat terug in te schakelen om de compressor niet te beschadigen.
- PROVISIEKAMERS (zonder steraanduiding): Provisiekamers (koelers) hebben geen diepvriescompartiment maar kunnen koelen tot 4 - 6°C.

## Waarschuwingen voor temperatuurafstellingen

- Het is raadzaam om, om efficiëntieredenen, de koelkast niet te gebruiken in omgevingen die kouder zijn dan 10°C.
- Temperatuurafstellingen moeten uitgevoerd worden op basis van het aantal malen dat de deur wordt geopend en de hoeveelheid voedsel opgeslagen in de koelkast.
- Uw koelkast dient tot 24 uren ononderbroken te werken naargelang de omgevingstemperatuur, nadat het is aangesloten op het stroomnet, om helemaal koel te worden. Open de deuren van uw koelkast niet vaak en zet geen grote hoeveelheden voedsel erin in deze tijdspanne.
- De functie 5-minutenvertraging treedt in werking om schade aan de compressor van uw koelkast te voorkomen, wanneer u de stekker uit het stopcontact trekt en vervolgens er terug in steekt voor gebruik of wanneer de stroom uitvalt. Uw koelkast begint na 5 minuten normaal te werken.
- Uw koelkast is ontworpen om te werken in de omgevingstemperatuurintervallen die in de normen vastgelegd zijn, op basis van de klimaatklasse vermeld op het informatie-etiket. We raden aan om de koelkast niet te gebruiken buiten de vermelde temperatuurwaardelimiten in verband met de koefficiëntie ervan.
- Dit apparaat is ontworpen voor gebruik bij een omgevingstemperatuur binnen het bereik 16°C - 32°C.

# VOEDSEL OPSLAAN IN HET APPARAAT

- De koelkast wordt gebruikt om verse levensmiddelen enkele dagen lang te bewaren.
- Zet de levensmiddelen niet tegen de achterwand van het koelvak. Zorg voor ruimte rond de levensmiddelen zodat de lucht kan circuleren.
- Zet geen warme levensmiddelen of dampende vloeistoffen in de koelkast.
- Controleer altijd of de voedingsmiddelen ingepakt zijn of zich in gesloten bakjes bevinden.
- Om vocht te reduceren en ijsvorming te voorkomen zet u vloeistoffen nooit in niet-afgedichte bakjes in de koelkast.
- We raden aan om vlees losjes in te pakken en op de glasplaat boven de groentebak te leggen, waar de lucht koeler is.
- Bewaar fruit en groente los in de groente- en fruitladen.
- Open de deur niet te vaak en laat de deur niet lang open staan, zodat de koude lucht niet ontsnapt.

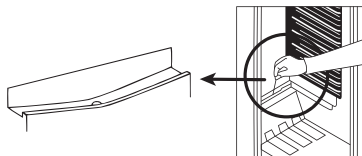
# ONDERHOUD EN REINIGING

- Koppel het apparaat los van de netvoeding alvorens het te reinigen.
- Reinig het apparaat niet door er water in te gieten.
- Zorg ervoor dat er geen water binnendringt in de lampbehuizing en andere elektrische componenten.
- De koelkast moet regelmatig gereinigd worden met een oplossing van natriumbicarbonaat en lauw water.
- Reinig de accessoires afzonderlijk met water en zeep. Reinig ze niet in de vaatwasser.
- Gebruik geen schuur- of reinigingsmiddelen of zeep. Spoel na het wassen met schoon water en droog zorgvuldig af. Steek na het reinigen de stekker terug in het stopcontact met droge handen.
- Reinig de condensor tenminste twee maal per jaar met een bezem. Dat helpt u om te besparen op energiekosten en de productiviteit te verhogen.

## DE STROOMTOEVOER MOET LOSGEKOPPELD WORDEN.

### Ontdooien

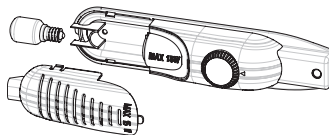
- Ontdooiing wordt automatisch uitgevoerd in de koelkast tijdens de werking; het dooiwater wordt opgevangen in de verdampingsbakje en verdampt automatisch.
- Het verdampingsbakje en de waterafvoeropening moeten regelmatig gereinigd worden met de dooiwaterafvoerplug om te voorkomen dat het water op de bodem van de koelkast wordt verzameld in plaats van te worden afgevoerd.
- U kunt ook een half glas water in de afvoeropening gieten om het te reinigen.



### Vervangen van het lampje

Wanneer u het lampje van de koelkast vervangt;

1. Koppel het apparaat los van de stroomtoevoer
2. Druk op de haakjes aan de zijkanten van de bovenzijde van het lampkapje en verwijder het lampkapje
3. Vervang de aanwezige lamp door een nieuwe van niet meer dan 15 W.
4. Plaats het lampkapje terug, wacht 5 minuten en steek de stekker van het apparaat in het stopcontact.



### Vervangen van de ledverlichting

Als uw koelkast ledverlichting heeft, neemt u contact op met de help desk, aangezien ledverlichting enkel door bevoegd personeel kan worden vervangen.

# TRANSPORT EN VAN INSTALLATIEPLAATS VERANDEREN

## **Transport en van installatieplaats veranderen**

- De originele verpakking en polystyreenschuim (PS) kunnen zo nodig bewaard worden.
- Tijdens het transport moet het apparaat bevestigd worden met een brede band of een sterke kabel. De instructies op de gegolfde doos moeten tijdens het transport gevolgd worden.
- Verwijder alle losse voorwerpen (d.w.z. roosters, groente- en fruitlade, ...) vóór het transport of de verandering van installatieplaats of bevestig ze met riemen zodat ze niet beschadigd worden.

## **Verplaats uw koelkast rechtop.**

# ALVORENS CONTACT MET DE KLANTENSERVICE OP TE NEMEN

Als uw koelkast niet goed werkt, kan het om een klein probleem gaan; controleer daarom het volgende.

## **Het apparaat werkt niet,**

### **Controleer:**

- of de stroom uitgevallen is.
- of de stekker niet goed in het stopcontact steekt of loszit.
- of de thermostaatinstelling in de stand “•” staat.
- of het stopcontact defect is. Sluit als controle een ander apparaat dat werkt aan in hetzelfde stopcontact.

## **Het apparaat werkt slecht,**

### **Controleer:**

- of het apparaat te vol is.
- of de deur goed gesloten is..
- of er voldoende ventilatieleidingen in het keukenblok zijn, zoals aangegeven in de Handleiding voor installatie.

## **Als er geluiden zijn:**

Het koelgas in de koelkastleiding kan een beetje geluid maken (bubbelend geluid), ook wanneer de compressor niet werkt. Maak u geen zorgen, dat is normaal. Als u een ander geluid hoort, controleer:

- of het apparaat onwrikbaar geïnstalleerd is zoals aangegeven in de Handleiding voor installatie.
- of de voorwerpen op het apparaat trillen.

## **Als er water staat in het onderste gedeelte van de koelkast,**

### **Controleer:**

- of de waterafvoeropening niet verstopt is (gebruik de dooiwaterafvoerplug om de afvoeropening te reinigen).

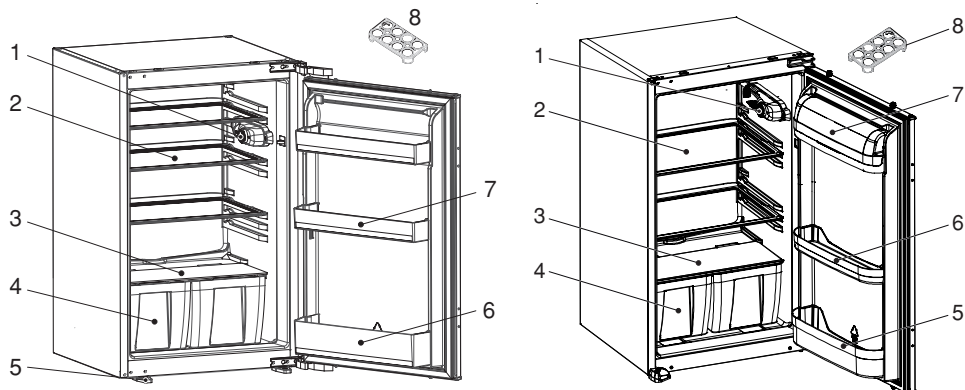
## **Aanbevelingen**

- Wanneer er geen stroomtoevoer is, moet u de koelkast loskoppelen van het stroomnet om beschadiging van de compressor te voorkomen. Wacht 5 – 10 minuten nadat de stroomtoevoer hersteld is alvorens de stekker terug in het stopcontact te steken.
- Als u om eender welke reden de koelkast loskoppelt van het stroomnet, moet u tenminste 5 minuten wachten alvorens het terug op het stroomnet aan te sluiten. Dat voorkomt beschadiging van de onderdelen van de koelkast.
- De koelunit van uw koelkast bevindt zich aan de achterzijde van het apparaat. Er kunnen zich bijgevolg waterdruppels of ijs vormen op de achterwand van uw koelkast door de werking van de compressor met gespecificeerde intervallen. Dit is normaal, ontdooien is niet nodig, tenzij er overmatige ijsvorming is.
- Als u van plan is om de koelkast lange tijd niet te gebruiken (bijv. in de zomervakantie), zet de thermostaat in de stand «•». Maak na het ontdooien de koelkast schoon en laat de deur openstaan om vocht en geuren te voorkomen.
- Als het probleem aanhoudt nadat u alle hierboven staande instructies gevolgd heeft, wend u tot het dichtstbijgelegen bevoegde servicecentrum.
- Het apparaat dat u heeft gekocht is bedoeld voor huishoudelijk gebruik en kan enkel thuis gebruikt worden en voor de vermelde doeleinden. Het is niet geschikt voor commercieel of gemeenschappelijk gebruik. Als de consument het apparaat gebruikt op een wijze die niet conform is, benadrukken we dat de fabrikant en de wederverkoper niet aansprakelijk zijn voor reparaties en storingen binnen de garantieperiode.

## **Tips voor energiebesparing**

1. Installeer het apparaat in een koele, goed geventileerde ruimte, en niet in direct zonlicht en niet naast een warmtebron (radiator, fornuis, enz.). Gebruik anders een isolerende plaat.
2. Laat warme gerechten en dranken afkoelen buiten het apparaat.
3. Dek dranken en andere vloeistoffen af wanneer u ze in het apparaat zet; anders verhoogt het vochtgehalte in de koelkast. Bijgevolg wordt de bedrijfsduur langer. Dranken en andere vloeistoffen afdekken helpt ook de geur en de smaak ervan te bewaren.
4. Laat de deuren niet lang openstaan en open ze niet te vaak: warme lucht stroomt de kast binnen en doet de compressor onnodig vaak inschakelen.
5. Houd de afdekkingen van de compartimenten met verschillende temperaturen (groente- en fruitlade, koeler, enz.) gesloten
6. De deurpakking moet schoon en plooibaar zijn. Vervang versleten pakkingen.

# DE ONDERDELEN VAN HET APPARAAT EN DE COMPARTIMENTEN



Deze beschrijving dient alleen als informatie over de onderdelen van het apparaat.  
Onderdelen kunnen variëren naargelang het model van het apparaat.

1. Thermostaatknop
2. Koelkastroosters
3. Afdekking groente- en fruitlade
4. Groente- en fruitladen
5. Linker & Rechterpootjes
6. Flessenvak
7. Deurvakken
8. Eierrekje

1. Thermostaatknop
2. Koelkastroosters
3. Afdekking groente- en fruitlade
4. Groente- en fruitladen
5. Flessenvak
6. Deurvakken
7. Botervakafdekking \*
8. Eierrekje

\* Op sommige modellen



## **Instructies voor installatie en omkeren van de deur voor uitvoeringen met railscharnieren**

**!** Het is raadzaam de installatie te laten uitvoeren door bevoegd technisch personeel

**!** Lees vóór de installatie de instructies zorgvuldig door.

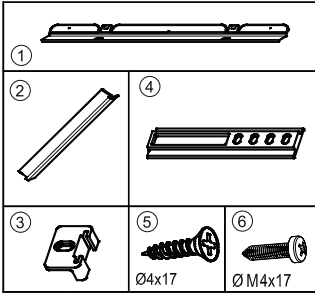
**!** Plaats de koelkast/vriezer alleen in stabiele keukenblokken.

**!** Kastafmetingen veranderen als er ander materiaal wordt gebruikt voor de afwerklijst (1).

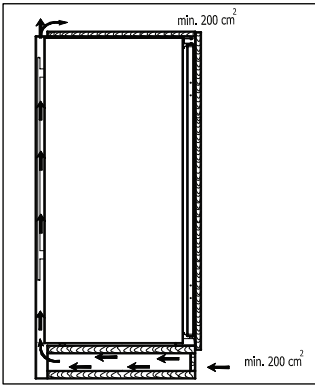
1. Als het materiaal van de afwerklijst (1) plastic is, raadpleeg (Tabel.1/B1) voor kastafmetingen.
2. Als het materiaal van de afwerklijst (1) metaal is, raadpleeg (Tabel.1/B2) voor kastafmetingen.

**!** Keer zo nodig de deur om volgens de instructies.

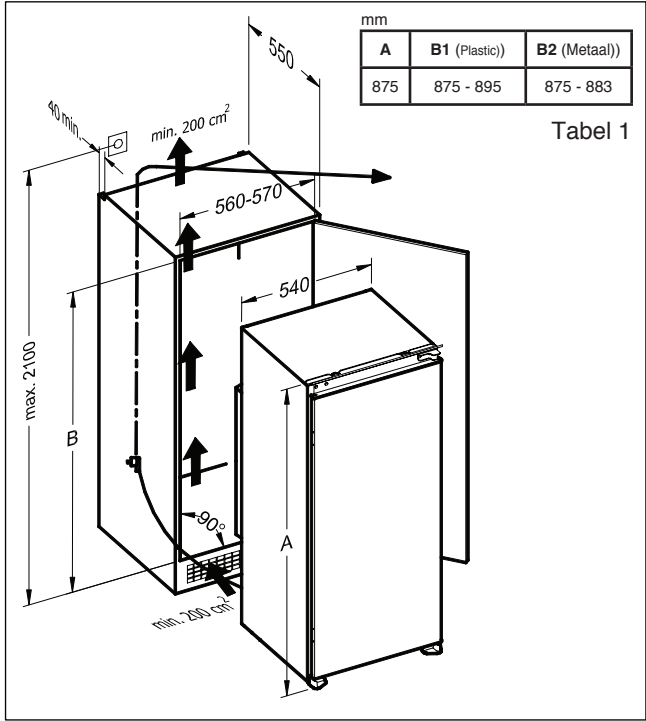
1. Zie afb.A voor de nodige bevestigingsstukken.
2. Duw de afwerklijst (1) in de gleuf en schroef vast met de schroeven (6). (afb.D)
3. Haal de stroomkabel door de ventilatieschacht en positioneer het zodat het apparaat na de installatie gemakkelijk kan worden aangesloten op het stroomnet. (afb.B - afb.C)
4. Neem de afwerkpakking (4) die zich op het zijpaneel van het apparaat bevindt en plak het aan de zijde tegenover de deurscharnieren van het apparaat. (afb.D - afb.E)
5. Hef het apparaat en schuif het in het keukenblok.
6. Duw het apparaat naar de zijde tegenover het deurscharnieren en zorg ervoor dat de afwerkpakking (2) de ruimte tussen het apparaat en het keukenblok afdekt.
7. Lijn de pootjes vooraan uit met de voorzijde van het keukenblok. (afb.F)
8. Schroef de pootjes vooraan vast met de schroeven (5). (afb.F)
9. Schroef de afwerklijst (1) vast op het keukenblok met de schroeven (5). (afb.G)
10. Schroef de geleiders (3) vast op de deur van het apparaat met de schroeven (6). (afb.H)
11. Plaats de deur van het apparaat op de deur van het keukenblok die 90° open staat.
12. Schuif de rails (4) in de geleiders (3), houd de groef uitgelijnd. (afb.H)
13. Schroef de rails (4) op de deur van het keukenblok met de schroeven (5). (afb.H)
14. Stel de geleiders (3) af zodat een ruimte van 1~2 mm aan hendelzijde tussen het keukenblok en de keukenblokdeur ontstaat. Dit is van vitaal belang voor de werking van het apparaat. (afb.H)



Afbeelding A

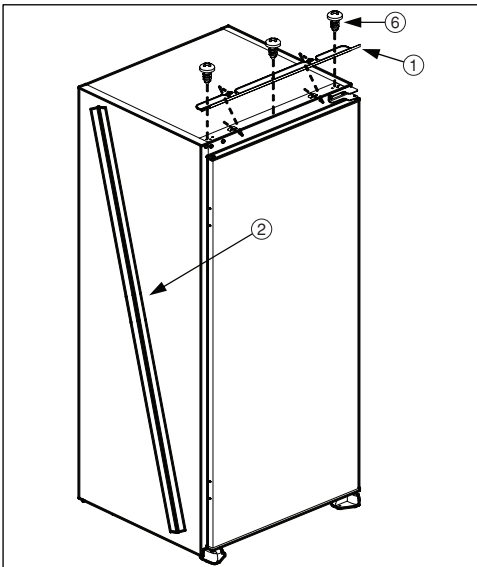


Afbeelding B

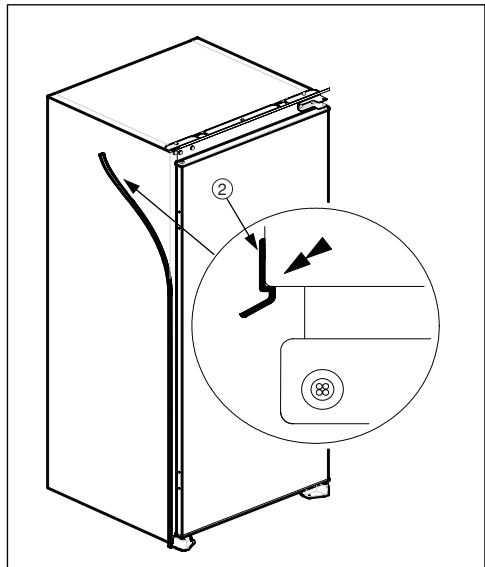


Tabel 1

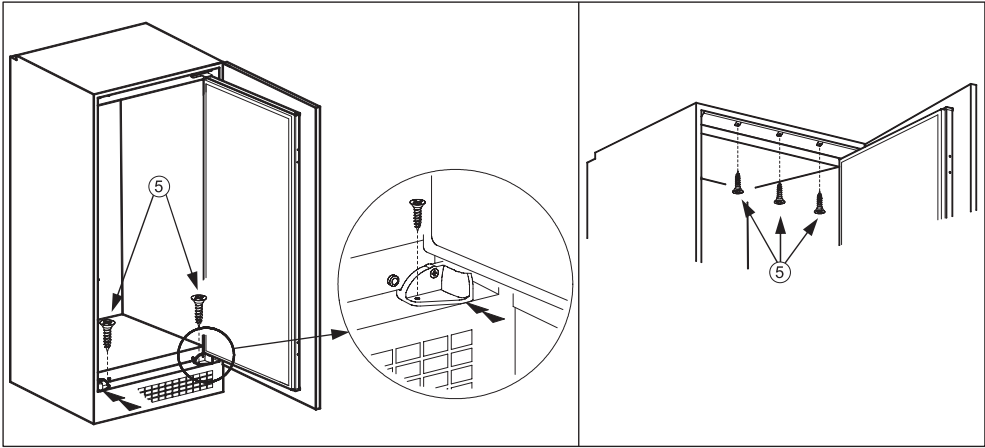
Afbeelding C



Afbeelding D

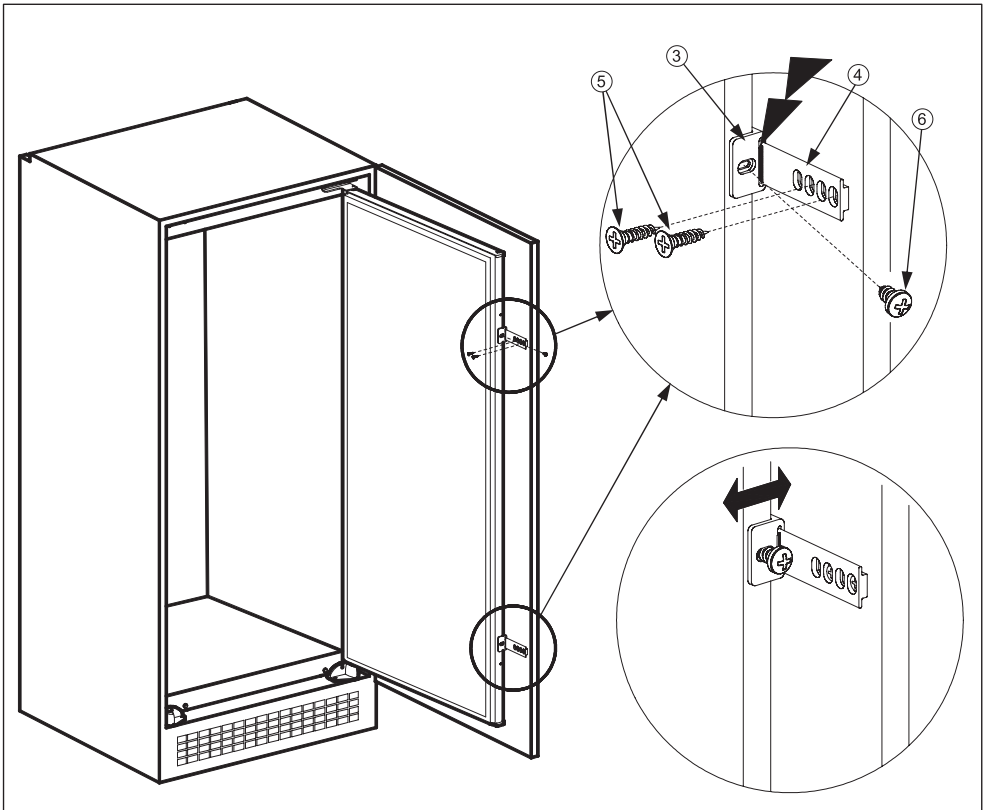


Afbeelding E

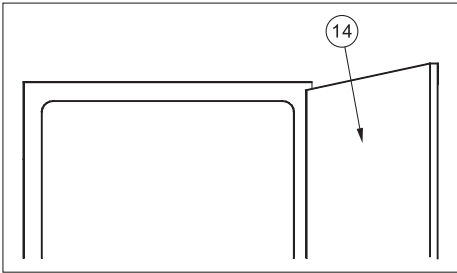


Afbeelding F

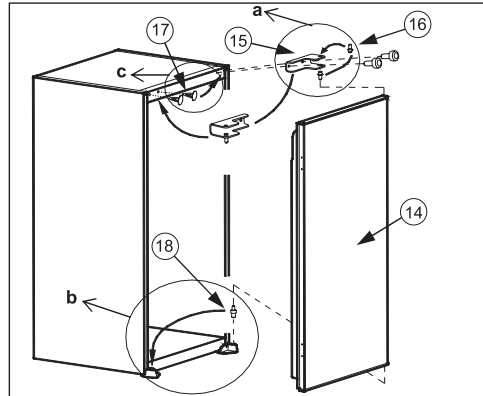
Afbeelding G



Afbeelding H



Afbelding J



Afbelding K

### Deur omkeren

1. Open de deur van het apparaat (14). (afb.J)
2. Demonteer het deurscharnier (15) en zet de deur van het apparaat (14) op een veilige plek. (afb.K)
3. Schroef de pen van het deurscharnier (16) los en schroef het aan de andere zijde stevig vast en leg het op een veilige plek. (afb.K.a)
4. Verplaats de onderste deurpen (18) naar de andere zijde. (afb.K.b)
5. Verplaats de boringstoppen (17) naar de andere zijde. (afb.K.c)
6. Plaats de apparaatdeur (14) op de onderste deurpen 18 en steek de pen van het deurscharnier (16) in het scharniergat op de apparaatdeur (14) en schroef vervolgens het deurscharnier (15) stevig vast op de zijde tegenover de originele positie. (afb.K)

## **Instructies voor installatie van product met Hettich-scharnieren**

**!** Het is raadzaam deze installatie te laten uitvoeren door bevoegd technisch personeel.

**!** Lees vóór de installatie de instructies zorgvuldig door.

**!** Plaats de koelkast/vriezer alleen in stabiele keukenblokken.

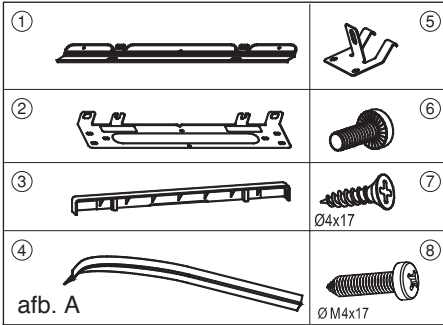
**!** Kastafmetingen veranderen als er ander materiaal wordt gebruikt voor de afwerklijst (1).

1. Als het materiaal van de afwerklijst<sup>(1)</sup> plastic is, raadpleeg (Tabel.1/B1) voor kastafmetingen.
2. Als het materiaal van de afwerklijst<sup>(1)</sup> metaal is, raadpleeg (Tabel.1/B2) voor kastafmetingen.

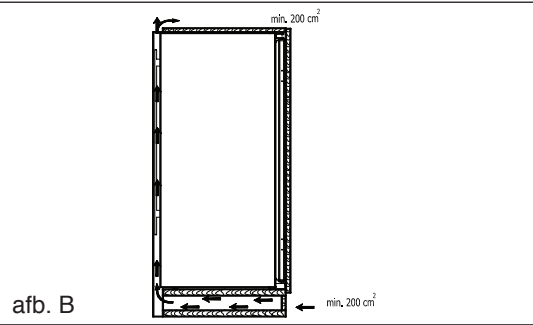
**!** Keer zo nodig de deur om volgens de instructies.

1. Zie afb.A voor de nodige bevestigingsstukken.
2. Open de verpakking. Neem het pakkingafstandsstuk (9) en breek het in drie stukken zoals getoond op afbeelding D. Het middelste stuk is de deurhangrail (10). De twee andere stukken zijn de afstandsstukken voor de deur van het keukenblok (11). (afb.D)
3. Duw de afwerklijst (1) in de gleuf en schroef het vast met de schroeven(8). (afb.E)
4. Haal de stroomkabel door de ventilatieschacht en positioneer het zodat het apparaat na de installatie gemakkelijk kan worden aangesloten op het stroomnet. (afb.B - afb.C)
5. Snijd de afwerkpakking (4) op de hoogte van de nis en plak het aan de zijde tegenover de deurscharnieren van het apparaat. (afb.E)
6. Hef het apparaat en schuif het in het keukenblok.
7. Zet het apparaat in het keukenblok met de scharnieren en lijn de pootjes vooraan uit met de voorzijde van het keukenblok. (afb.F)
8. Open de deur van het apparaat en schroef de pootjes vooraan vast met de schroeven (7). (afb.G)
9. Schroef de afwerklijst (1) vast op het keukenblok met de schroeven (7). (afb.G)
10. Schroef de scharnieren vast op het keukenblok met de schroeven (7). (afb.G)
11. Sluit de deur van het apparaat. Draai de moeren (14), sluitringen (13) en stelbouten (12) los en verwijder ze uit de deur van het apparaat. (afb.H)
12. Verwijder de beschermstrips van de kleefband op de deurhangrails (10). Plaats de deurhangrails (10) op de deur van het apparaat door de pennen in de boringen van de deur van het apparaat te steken en lijn de voorzijden van de deurhangrails (10) uit met de deur van het apparaat zodat ze evenwijdig zijn. Zorg ervoor dat de deurhangrails (10) aan de deur van het apparaat plakken. (afb.H)
13. Schuif de deurhangstaaf (2) in de hangrails van de deur (10). (afb.J - afb.K)
14. Verwijder de beschermstrips van de kleefband aan de voorzijde van de hangstaaf van de deur (2) uit.
15. Verwijder de beschermstrips van de kleefband op de afstandsstukken van de deur van het keukenblok (11) uit en plak ze op de deur van het keukenblok (15) bij de bovenhoeken. (afb.K)
16. Plaats de deur van het keukenblok(15) tegen de deurhangstaaf (2), en lijn de afstandsstukken van de deur van het keukenblok (11) aan de linker-, rechter- en bovenrand uit met de zijkanten van het keukenblok of de deuren van de zijdelings of boven aangrenzende keukenblokken. (afb.K)

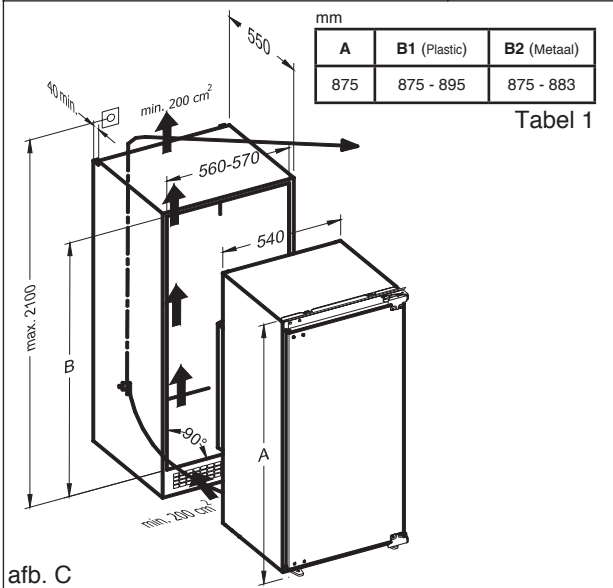
17. Zorg ervoor dat de deur van het keukenblok (15) op de deurhangstaaf (2) plakt. Trek aan de deur van het keukenblok(15) zodat de deurhangstaaf (2) uit de hangrails (10) van de deur schuift. Kijk of de deurhangstaaf (2) aan de deur van het keukenblok (15) blijft plakken. (afb.L)
18. Leg de deur van het keukenblok (15) op de vloer en schroef de deurhangstaa (2) vast op de deur van het keukenblok (15) met de schroeven (7). (afb.L)
19. Om meubeldefecten te corrigeren zijn er plastic afstandsstukken (A) op de deurhangstaa f (2) geplakt. Verwijder deze plastic afstandsstukken (A). (afb.M)
20. Verwijder de deurhangrails (10) van de deur van het apparaat. Schroef de stelbouten (12) in de boringen van de deur van het apparaat en gebruik het afstandsstuk van de deur van het keukenblok (11) om de nodige ruimte te voorzien. (afb.N)
21. Open de deur van het apparaat. Plaats de deur van het keukenblok (15) op de deur van het apparaat en steek de stelbouten (12) in de gleuven op de deurhangstaaf (2). (afb.N)
22. Plaats de sluitringen (13) en schroef de moeren (14) op de stelbouten (12). (afb.N)
23. De ruimte van 1~2 mm tussen het keukenblok en de deur van het keukenblok is van vitaal belang voor de prestaties van het apparaat. Sluit de deur en stel de deur van het keukenblok (15) zorgvuldig af. Schroef de stelbouten (12) los of vast voor de verticale afstelling en gebruik de gleuven op de deurhangstaaf (2) voor de andere richtingen. (afb. P1)
24. Plaats de bevestigingen van de onderkant van de deur (5) op de onderkant van de deur van het apparaat tussen de deur van het apparaat en de deur van het keukenblok (15). Schroef de bevestigingen van de onderkant van de deur (5) vast op de deur van het apparaat met de schroeven (6). (afb.O)
25. Schroef de bevestigingen van de onderkant van de deur (5) vast op de deur van het keukenblok (15) met de schroeven (7). (afb.O)
26. Om de ruimte tussen het bovenste gedeelte van de deur van het keukenblok (15) en het keukenblok af te stellen, kunt u de schroeven (6) losdraaien en vervolgens de ruimte tussen het bovenste gedeelte van de deur van het apparaat (19) en het bovenste gedeelte van de deur van het keukenblok (15) afstellen met het veereffect van de bevestigingen van de onderkant van de deur (5) terwijl u de schroeven(6) terug vastdraait.
27. Schuif de hangstaafbedekking (3) op de deurhangstaaf (2). (afb.P2)



afb. A

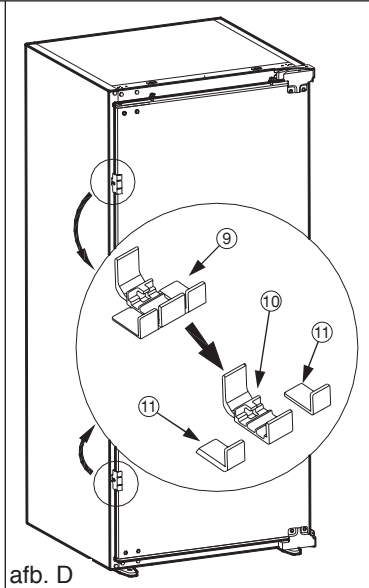


afb. B

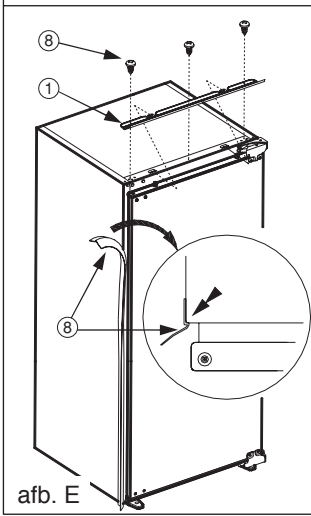


Tabel 1

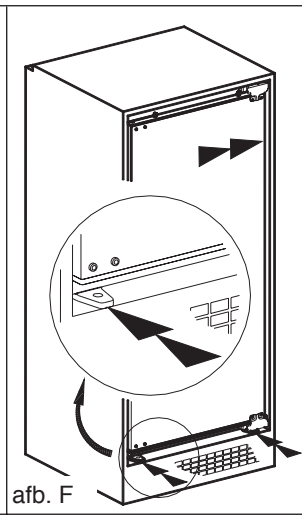
afb. C



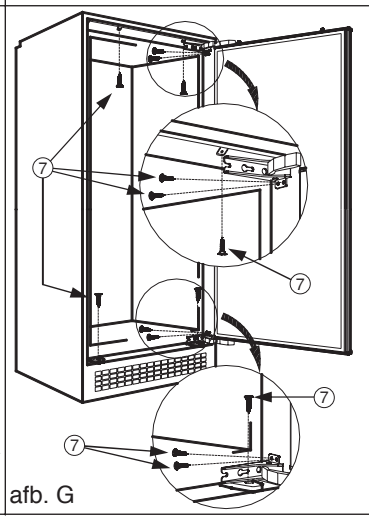
afb. D



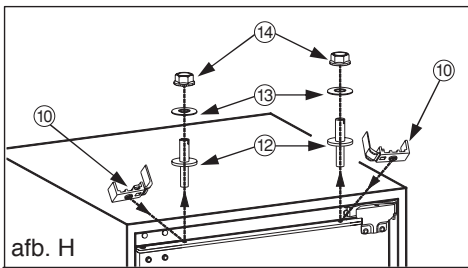
afb. E



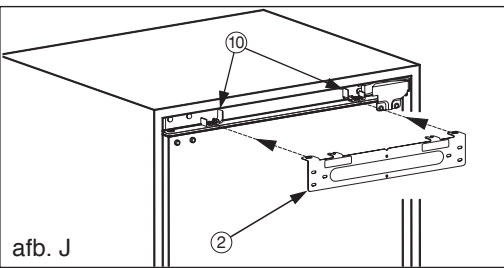
afb. F



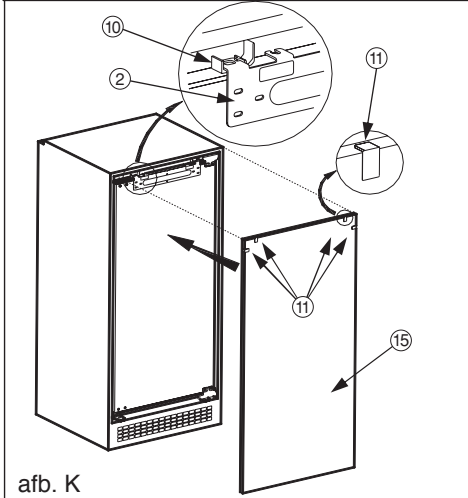
afb. G



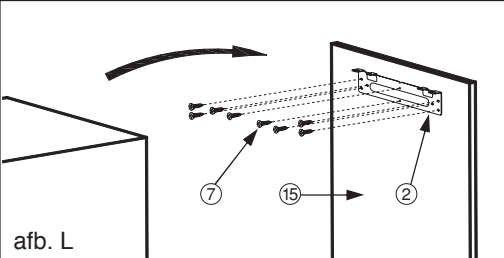
afb. H



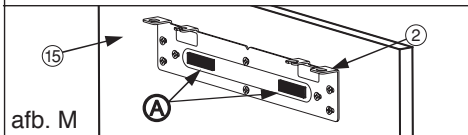
afb. J



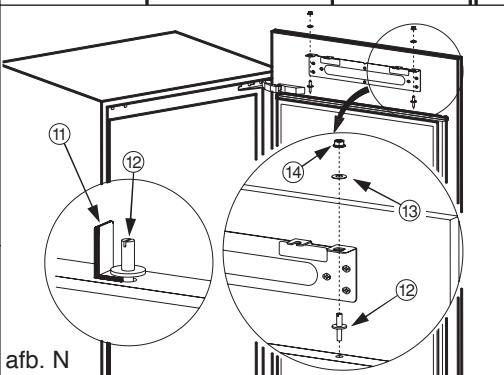
afb. K



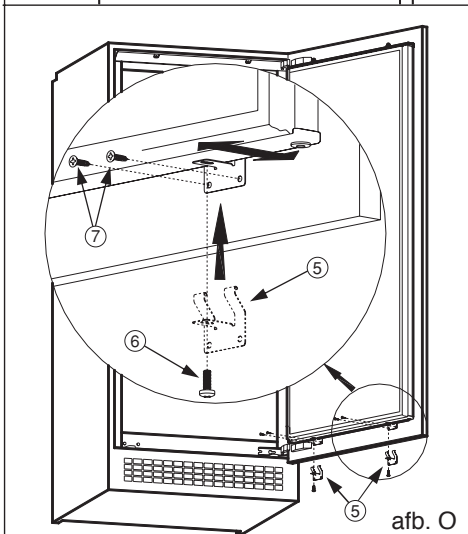
afb. L



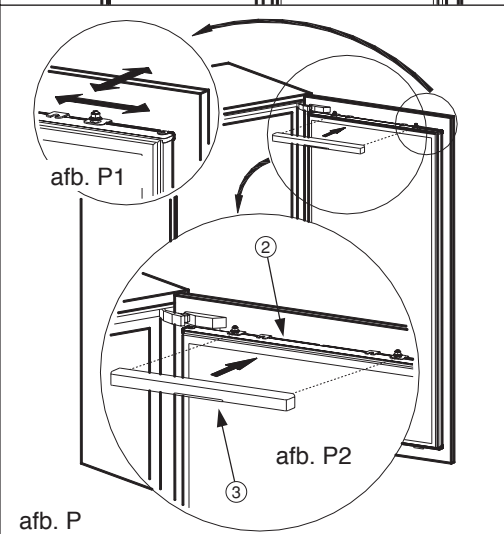
afb. M



afb. N

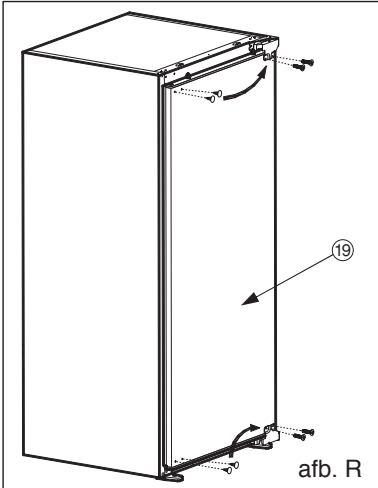


afb. O

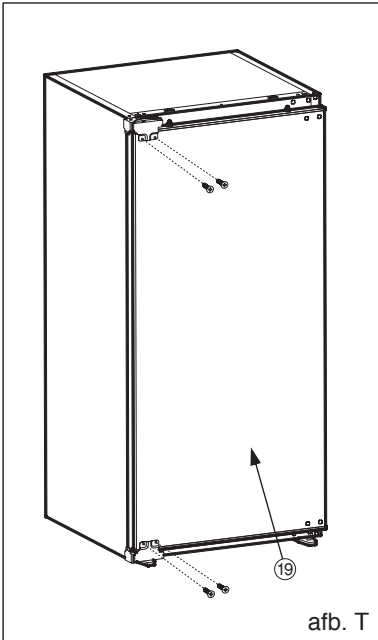


afb. P

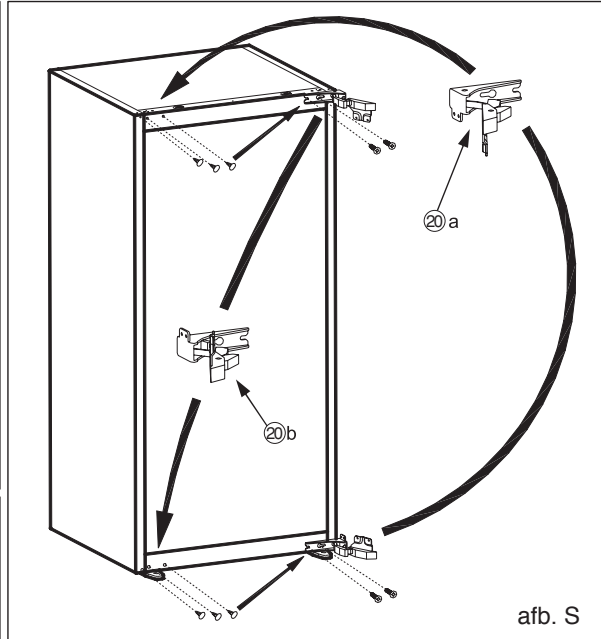




afb. R



afb. T



afb. S

### Deur omkeren

! Let goed op zodat u uw vingers niet plet in de scharnieren (bovenste deurscharnier (20-a) en onderste deurscharnier (20-b).

1. Open de deur van het apparaat ( 19). (afb.P)
2. Draai de schroeven op de voorzijde van de deur van het apparaat (19) los. Zet de deur van het apparaat (19) op een veilige plek. (afb.S)
3. Verplaats de boringstoppen op de voorzijde van de deur van het apparaat (19) naar de boringen aan de andere kant.(afb.S)
4. Open de bovenste deurscharnier(20-a) en de onderste deurscharnier (20-b). (afb.S) en demonteer ze. (afb.T)
5. Verplaats de boringstoppen naar de andere kant. (afb.T)
6. Monteer de bovenste deurscharnier (20-a) en de onderste deurscharnier (20-b) op de andere hoeken ten opzichte van de originele positie. (afb.T)

# 1 ISTRUZIONI DI SICUREZZA

## 1.1 Avvertenze Generali di Sicurezza

Leggere con attenzione il presente manuale utente.

**⚠ATTENZIONE:** Evitare di ostruire le aperture di ventilazione presenti sul mobile dell'apparecchio o nella struttura di incasso.

**⚠ATTENZIONE:** Non usare dispositivi meccanici o altri mezzi per accelerare il processo di sbrinamento, eccetto quelli raccomandati dal produttore.

**⚠ATTENZIONE:** Non usare apparecchiature elettriche (es. apparecchi di riscaldamento, produttori di ghiaccio elettrici ecc.) all'interno di questo apparecchio, salvo siano del tipo raccomandato dal produttore.

**⚠ATTENZIONE:** Non sbrinare o pulire mai l'apparecchio con una pulitrice a vapore. Il vapore può raggiungere parti elettriche e provocare un cortocircuito con rischio di folgorazioni.

**⚠ATTENZIONE:** Fare attenzione a non arrecare danni al circuito refrigerante. Non utilizzare oggetti appuntiti o affilati per rimuovere la brina o il ghiaccio. È possibile danneggiare i raccordi del circuito refrigerante, cosa che rende inservibile l'apparecchio. Il gas fuoriuscendo per effetto della pressione, può provocare irritazioni agli occhi.

**⚠ATTENZIONE:** Quando si posiziona l'apparecchio, assicurarsi che il cavo di alimentazione non sia bloccato o danneggiato.

**⚠ATTENZIONE:** Non posizionare prese di corrente portatili multiple o alimentatori di corrente portatili multipli sul retro dell'apparecchio.

**⚠ATTENZIONE:** Al fine di evitare qualunque pericolo derivante da un posizionamento instabile dell'apparecchio, esso deve essere fissato secondo le istruzioni.

**⚠** Se il vostro apparecchio utilizza R600a come refrigerante (questa informazione è disponibile sulla targhetta presente sull'apparecchio), occorre prestare attenzione durante il trasporto e l'installazione per evitare danni ai componenti del sistema di refrigerazione. R600a è un gas naturale e non nocivo per l'ambiente, ma è esplosivo. Nell'eventualità di perdite dovute al danneggiamento dei componenti del sistema di refrigerazione, scollegare l'apparecchio dalla corrente elettrica, allontanarlo da fiamme libere o sorgenti di calore e ventilare per alcuni minuti l'ambiente dove è installato l'apparecchio.

- Durante il trasporto e il posizionamento dell'apparecchio, fare attenzione a non danneggiare il circuito del gas refrigerante.
- Non conservare all'interno dell'apparecchio sostanze esplosive, come bombolette spray contenenti propellente infiammabile.

- L'apparecchio è destinato all'uso in abitazioni private e in altri contesti di tipo domestico quali:
  - zone cucina per il personale di punti vendita, uffici e altri ambienti lavorativi;
  - utilizzo presso agriturismi e da parte dei clienti di alberghi, motel e altre strutture di tipo residenziale;
  - bed and breakfast e strutture analoghe;
  - catering e applicazioni simili non di vendita al dettaglio.
- Se la spina dell'apparecchio non corrisponde alla presa elettrica, la spina deve essere sostituita da un servizio di assistenza autorizzato o da un elettricista qualificato al fine di evitare ogni rischio.
- Il cavo di alimentazione dell'apparecchio è collegato ad una speciale spina dotata di messa a terra. Tale spina deve essere usata con una presa da 16 ampere con opportuna messa a terra. Se la vostra abitazione non dispone di tale presa, abbiate cura di farne installare una da un elettricista qualificato.
- Questo apparecchio può essere utilizzato solo da adulti istruiti sull'uso sicuro dell'apparecchio e in grado di comprendere i rischi connessi. I bambini non devono giocare con l'apparecchio. La pulizia e la manutenzione dell'apparecchio devono essere eseguite da adulti.
- Tenere gli animali domestici lontani dall'apparecchio.

- Non lasciare i bambini non sorvegliati vicino all'apparecchio.
- I bambini dai 3 agli 8 anni possono caricare e scaricare dispositivi di refrigerazione. Non ci si aspetta che i bambini eseguano pulizia o manutenzione del dispositivo, non ci si aspetta che i bambini molto piccoli (0-3 anni) facciano uso dei dispositivi, non ci si aspetta che i bambini piccoli (3-8 anni) usino i dispositivi in modo sicuro a meno che non vengano sorvegliati costantemente, i bambini più grandi (8-14 anni) e le persone vulnerabili sono in grado di usare i dispositivi dopo aver ricevuto appropriata supervisione o istruzioni sull'utilizzo dei dispositivi. Non ci si aspetta che le persone molto vulnerabili usino i dispositivi in modo sicuro prima di aver ricevuto sorveglianza continua.
- Tenere il materiale di imballaggio lontano dalla portata dei bambini.
- Non permettere ai bambini di sedersi, arrampicarsi sull'apparecchio o entrare all'interno di quest'ultimo.
- Prestare attenzione durante il trasporto dell'apparecchio poiché è pesante. È necessario valutare il numero di persone e le attrezzature necessarie. Indossare sempre guanti protettivi.
- Se il cavo di alimentazione è danneggiato, deve essere sostituito da personale qualificato al fine di evitare ogni rischio.
- Non posizionare l'apparecchio sopra il cavo di alimentazione.

- L'apparecchio non è progettato per l'uso ad altitudini superiori a 2.000 m.
- Scollegare l'apparecchio dalla rete elettrica quando non viene utilizzato per un lungo periodo e prima dell'installazione, manutenzione, pulizia e riparazione, diversamente potrebbe danneggiarsi.
- Prima dell'installazione, verificare se l'apparecchio presenta danni visibili. Non installare o utilizzare mai un apparecchio danneggiato.
- L'utilizzo di parti di ricambio e accessori di altre marche è rischioso e potrebbe provocare lesioni, danni materiali o danni all'apparecchio. Per ragioni di sicurezza, utilizzare solo parti di ricambio e accessori originali
- Il produttore non si assume alcuna responsabilità per le conseguenze di eventuali errori causati da fattori sui quali non ha controllo. Inoltre il produttore non assicura la validità e correttezza delle informazioni fornite se al software e all'apparecchiatura citati in questo manuale sono state apportate modifiche da parte di terze persone.
- La riparazione dell'apparecchio dovrà essere effettuata esclusivamente da un servizio di assistenza tecnica autorizzato. Il produttore non può essere ritenuto responsabile per danni derivanti da errata installazione o riparazione effettuata da un centro di assistenza non autorizzato.
- Nell'impegno di migliorare costantemente la qualità dei propri prodotti, il produttore si riserva la facoltà

di variare in qualsiasi momento le informazioni del presente manuale.

- Nel caso il significato di una o più informazioni di questo manuale non fosse comprensibile, l'utente deve contattare il rivenditore o il produttore per i chiarimenti necessari prima di effettuare qualsiasi operazione.
- L'apparecchio è schermato contro i radiodisturbi secondo la direttiva CE.
- Questo apparecchio è conforme alle pertinenti norme di sicurezza per gli apparecchi elettrici.

**Per evitare la contaminazione degli alimenti, si prega di seguire le seguenti istruzioni:**

- L'apertura prolungata dello sportello può causare un significativo aumento della temperatura nei vani del dispositivo.
- Pulire regolarmente le superfici che possono venire a contatto con gli alimenti ed i sistemi di drenaggio accessibili.
- Conservare la carne ed il pesce crudi in appositi contenitori in frigorifero, in modo che non vengano a contatto con altri alimenti o che non colino su di essi.
- Gli scomparti per surgelati a due stelle sono adatti per la conservazione di alimenti precedentemente congelati, la conservazione o la produzione di gelato e la produzione di cubetti di ghiaccio.

- Gli scomparti a una, due e tre stelle non sono adatti al congelamento di alimenti freschi.
- Se il dispositivo di refrigerazione viene lasciato vuoto per lunghi periodi, spegnere, sbrinare, pulire, asciugare e lasciare la porta aperta per evitare la formazione di muffa al suo interno.



## 1.2 Avvertenze di installazione

Prima di usare per la prima volta l'apparecchio, prestare attenzione ai seguenti punti:

- La tensione di funzionamento dell'apparecchio è 220-240 V a 50 Hz.
- Al termine dell'installazione la spina deve rimanere accessibile in qualsiasi momento.
- L'apparecchio può emanare odore quando viene acceso la prima volta. Ciò è normale e l'odore svanirà quando l'apparecchio inizierà a raffreddarsi.
- Prima di collegare l'apparecchio alla presa, assicurarsi che le informazioni sulla targhetta identificativa (tensione e potenza assorbita) siano compatibili con le caratteristiche della rete elettrica. Per ogni dubbio, consultare un elettricista qualificato.
- Inserire la spina in una presa dotata di un'efficace connessione a terra. Se la presa non dispone di messa a terra o la spina non si adatta perfettamente alla presa, si raccomanda di richiedere l'assistenza di un elettricista qualificato.
- L'apparecchio deve essere collegato ad una presa correttamente installata e protetta da un interruttore di sicurezza. Il tipo di alimentazione (CA) e la tensione di rete del luogo di utilizzo devono essere compatibili con i dettagli riportati sulla targhetta identificativa del prodotto (la targhetta identificativa si trova all'interno dell'apparecchio, sulla sinistra).
- Il produttore declina ogni responsabilità per danni derivanti da utilizzo con messa a terra inadeguata.
- L'apparecchio non deve essere alimentato da un dispositivo di commutazione esterno, ad esempio un timer, o collegato a un circuito che viene regolarmente acceso e spento da un dispositivo esterno.
- Scollegare l'apparecchio dalla rete elettrica quando non viene utilizzato per un lungo periodo e prima dell'installazione, manutenzione, pulizia

e riparazione, diversamente potrebbe danneggiarsi.

- Collocare l'apparecchio in posizione non esposta alla luce solare diretta.
- L'apparecchio non deve mai essere usato all'esterno o esposto alla pioggia.
- L'apparecchio deve essere collocato ad almeno 50 cm da fornelli, forni a gas e sorgenti di calore e ad almeno 5 cm da forni elettrici.
- Se l'apparecchio è posizionato accanto ad un congelatore, occorre mantenere una distanza di almeno 2 cm fra gli apparecchi, per impedire la formazione di condensa sulla superficie esterna.
- Non coprire la struttura o la parte superiore dell'apparecchio con panno o tessuto, anche leggero. Ciò peggiora le prestazioni dell'apparecchio.
- Al di sopra dell'apparecchio deve essere presente uno spazio libero di almeno 150 mm. Non collocare nulla sopra l'apparecchio.
- Pulire completamente l'apparecchio prima dell'uso (vedere: Pulizia e Manutenzione).
- Prima di utilizzare l'apparecchio, passare su tutti i componenti un panno imbevuto di una soluzione ottenuta sciogliendo in una bacinella di acqua tiepida un cucchiaino da tè di bicarbonato di sodio. Sciacquare poi con acqua pulita e asciugare. Dopo la pulizia, rimettere tutti i componenti all'interno dell'apparecchio.
- La procedura di installazione all'interno di cucine componibili è descritta nel manuale di installazione. Il prodotto è progettato per essere usato solamente in cucine componibili adatte.

## 1.3 Durante l'uso

- Non connettere il frigorifero alla rete elettrica mediante prolunghe, prese multiple o adattatori.
- Non utilizzare spine danneggiate, lacerate o vecchie.
- Non tirare, piegare o danneggiare il cavo di alimentazione.

- Non utilizzare adattatori.
- Questo apparecchio può essere utilizzato solo da adulti istruiti sull'uso sicuro dell'apparecchio e in grado di comprendere i rischi connessi. I bambini non devono giocare con l'apparecchio o appendersi alla porta. La pulizia e la manutenzione dell'apparecchio devono essere eseguite da adulti.
- Non toccare mai il cavo di alimentazione o la spina con le mani bagnate. Scollegare l'apparecchio dalla rete elettrica afferrando la spina (non il cavo) per staccarla dalla presa elettrica. Questi comportamenti possono causare cortocircuiti o folgorazioni elettriche.
- Non collocare materiali esplosivi o infiammabili all'interno del frigorifero. Sistemare le bevande con elevato contenuto alcolico in posizione verticale nello scomparto frigorifero, assicurandosi che siano ermeticamente chiuse.

### **Apparecchi vecchi e non più funzionanti**

- Se il vostro vecchio apparecchio è dotato di chiusura meccanica, rompetela o rimuovetela prima di smaltirlo, poiché i bambini possono rimanere intrappolati all'interno e ciò può causare incidenti.
- I vecchi apparecchi contengono materiale isolante e refrigeranti a base di CFC. Prestare quindi attenzione a non danneggiare l'ambiente durante lo smaltimento dei vecchi apparecchi.
- Una volta che un apparecchio ha esaurito la propria vita utile, togliere la spina di alimentazione dalla presa prima di tagliare il cavo di alimentazione.

### **Dichiarazione di conformità CE**

Dichiariamo che i nostri prodotti soddisfano le Direttive, le Decisioni e i Regolamenti Europei applicabili nonché i requisiti elencati nelle norme alle quali si fa riferimento.

### **Smaltimento responsabile dell'imballaggio e del vecchio apparecchio**

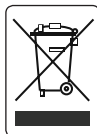
### **Rimozione dei materiali di imballaggio**

I materiali di imballaggio proteggono l'apparecchio da eventuali danni che potrebbero verificarsi durante il trasporto. Si prega di riciclare i materiali di imballaggio. Il materiale riciclato riduce il consumo di materie prime e riduce la produzione di rifiuti.



### **INFORMAZIONE AGLI UTENTI**

Il simbolo del cassonetto barrato riportato sull'apparecchiatura indica che il prodotto, alla fine della sua vita utile, deve essere raccolto separatamente dagli altri rifiuti. L'utente finale dovrà conferire l'apparecchiatura giunta a fine vita agli idonei centri di raccolta differenziata dei rifiuti elettronici ed elettrotecnici, oppure riconsegnarla al rivenditore al momento dell'acquisto di una nuova apparecchiatura di tipo equivalente, in ragione di uno a uno. L'adeguata raccolta differenziata per l'avvio successivo dell'apparecchiatura dismessa al riciclaggio, al trattamento o allo smaltimento ambientalmente compatibile contribuisce ad evitare possibili effetti sull'ambiente e sulla salute e favorisce il riciclo dei materiali di cui è composta l'apparecchiatura. Lo smaltimento abusivo del prodotto da parte dell'utente comporta l'applicazione delle sanzioni amministrative di cui al D.Lgs. n. 152 del 3 aprile 2006.



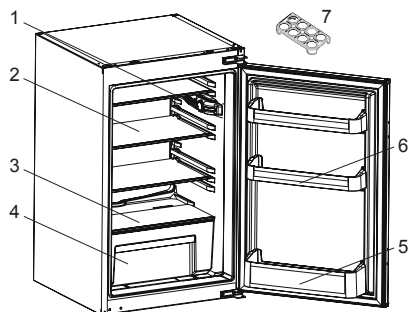
### **Note:**


- Prima di installare e utilizzare l'apparecchio leggere attentamente il manuale di istruzioni. Il produttore declina ogni responsabilità per danni derivanti da uso improprio.
- Seguire tutte le indicazioni riportate sull'apparecchio e sul manuale di istruzioni. Quest'ultimo va conservato in luogo sicuro in modo da poter risolvere eventuali problemi in futuro.
- Questo apparecchio è prodotto per l'uso all'interno di abitazioni private e può essere impiegato solo in contesti domestici e per gli scopi indicati. Esso non è indicato per l'uso comune o

commerciale. Tale uso invaliderà la garanzia dell'apparecchio e il produttore declina ogni responsabilità per danni subiti.

- Questo apparecchio è prodotto per l'uso all'interno di abitazioni e destinato esclusivamente alla refrigerazione / conservazione degli alimenti. Esso non è adatto all'uso commerciale o comune e/o per conservare sostanze diverse dagli alimenti. Il produttore declina ogni responsabilità per danni derivanti dalla mancata osservanza di queste indicazioni.

## 2 DESCRIZIONE DELL'APPARECCHIO



 Questa presentazione ha il solo scopo di fornire informazioni riguardo ai componenti dell'apparecchio. I componenti possono variare a seconda del modello.

- 1) Termostato
- 2) Ripiano del frigorifero
- 3) Coperchio del cassetto frutta e verdura
- 4) Cassetto frutta e verdura
- 5) Ripiano portabottiglie
- 6) Ripiani della porta
- 7) Portauova

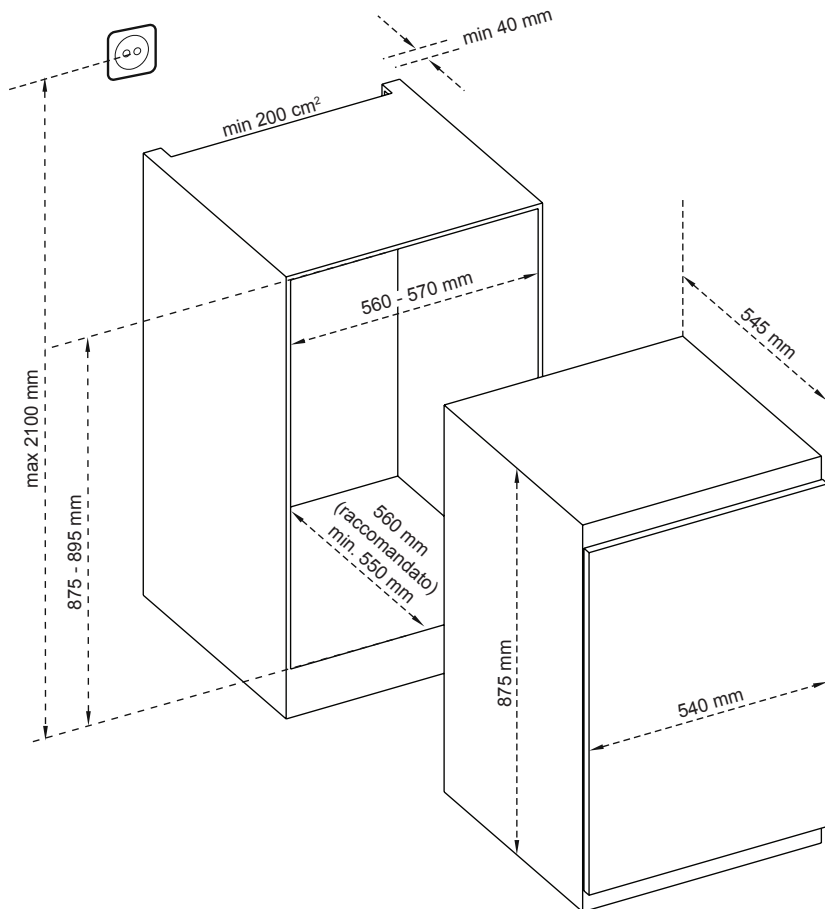
### **Note generali:**

#### **Scomparto alimenti freschi (frigorifero):**

La configurazione con i cassetti nella parte inferiore dell'apparecchio, con i ripiani distribuiti in maniera uniforme e una posizione degli scomparti nello sportello che non incide sul consumo energetico, consente un impiego più efficiente dell'energia.

## 2.1 Dimensioni

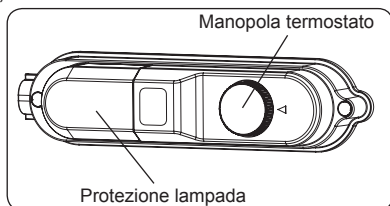
\* 875 - 883 per copertura superiore metallica



## 3 USO DELL'APPARECCHIO


### 3.1 Regolazione del termostato

Il termostato regola automaticamente la temperatura all'interno degli scomparti frigorifero. È possibile ottenere temperature inferiori ruotando la manopola su valori più alti, in una scala da 1 a 5.



#### Regolazione del termostato

- 1 - 2 : Per la conservazione a breve termine del cibo nello scomparto refrigeratore, posizionare la manopola tra le posizioni minima e media (1-2).
- 3 - 4 : Se si conservano gli alimenti nello scomparto refrigeratore per lungo tempo si può regolare la manopola sulla posizione media (3-4).
- 5 : Per la conservazione a lungo termine del cibo nello scomparto refrigeratore, posizionare la manopola sulla posizione media (5).

 **Tenere presente che:** la temperatura ambiente, la temperatura del cibo appena introdotto e la frequenza con la quale la porta viene aperta influiscono sulla temperatura dell'apparecchio. Se necessario, variare la temperatura impostata.

#### 3.2 Avvertenze riguardanti la regolazione della temperatura

- La temperatura ambiente, la temperatura degli alimenti appena introdotti e la frequenza di apertura della porta influenzano la temperatura dello scomparto frigorifero. Se necessario, modificare la temperatura impostata.

- Per ragioni di efficienza, si sconsiglia di utilizzare il frigorifero in ambienti con temperatura inferiore a 10 °C.
- Durante la regolazione del termostato, tenere conto della frequenza con la quale vengono aperte e chiuse le porte del frigorifero, della quantità di alimenti presente all'interno e dell'ambiente nel quale l'apparecchio è installato.
- La prima volta che l'apparecchio viene acceso, mantenerlo in funzione per 24 ore consecutive in modo da raggiungere la corretta temperatura di funzionamento. Durante questo periodo, non aprire la porta e non introdurre grandi quantità di alimenti nell'apparecchio.
- Per evitare danni al compressore, disconnettere l'apparecchio dalla rete elettrica in caso di interruzione dell'alimentazione. Una volta ristabilita l'alimentazione, attendere da 5 a 10 minuti prima di connettere nuovamente l'apparecchio alla rete elettrica. Questa precauzione contribuisce ad evitare danni ai componenti dell'apparecchio.
- L'apparecchio è progettato per funzionare nell'intervallo di temperatura ambiente definito dagli standard, in base alla classe climatica specificata sulla targhetta informativa. Non si consiglia di utilizzare il frigorifero in ambienti la cui temperatura non è compresa nell'intervallo specificato, in quanto non viene garantita l'efficacia della refrigerazione.
- Il tuo apparecchio è progettato per funzionare nell'intervallo di temperatura ambiente definito dagli standard (classi N: 16 °C – 32 °C), in base alla classe climatica specificata sulla targhetta informativa. Per ragioni di efficienza del sistema refrigerante, si sconsiglia di utilizzare l'apparecchio in ambienti la cui temperatura non è compresa nell'intervallo specificato. Tenere presenti le avvertenze riportate nel manuale.

### **Classe climatica e significato:**

**T (tropicale):** Questo apparecchio refrigerante è destinato all'uso a temperature ambienti comprese tra 16 °C e 43 °C.


**ST (subtropicale):** Questo apparecchio refrigerante è destinato all'uso a temperature ambienti comprese tra 16 °C e 38 °C.

**N (temperato):** Questo apparecchio refrigerante è destinato all'uso a temperature ambienti comprese tra 16 °C e 32 °C.

**SN (temperato esteso):** Questo apparecchio refrigerante è destinato all'uso a temperature ambienti comprese tra 10 °C e 32 °C.

## **4 CONSERVAZIONE DEGLI ALIMENTI**




- Per ridurre l'umidità ed evitare la conseguente formazione di brina, conservare sempre i liquidi introdotti nello scomparto frigorifero all'interno di contenitori sigillati. La brina tende a concentrarsi nelle parti più fredde dell'evaporatore e, col passare del tempo, l'apparecchio richiederà sbrinatorie più frequenti.
- Non introdurre mai cibi caldi nel frigorifero. Gli alimenti caldi devono essere lasciati raffreddare a temperatura ambiente e disposti in modo da assicurare un'adeguata circolazione dell'aria all'interno dello scomparto frigorifero.
- Assicurarsi che nessun oggetto venga direttamente a contatto con la parete posteriore dell'apparecchio, poiché in questo caso si formerebbe della brina alla quale potrebbero aderire le confezioni dei prodotti. Non aprire frequentemente la porta del frigorifero.
- Si raccomanda di confezionare non strettamente la carne e il pesce pulito e collocarli sul ripiano in vetro appena sopra il cassetto verdura, dove l'aria più fredda garantisce le migliori condizioni di conservazione.
- Sistemare frutta e verdura sciolte negli appositi cassetti verdure.
- Mantenere separata la frutta dalla verdura contribuisce ad evitare che la conservazione delle verdure sensibili all'etilene (vegetali a foglia verde, broccoli, carote ecc.) venga influenzata dalla presenza di frutti che rilasciano tale gas (banane, pesche, albicocche, fichi ecc.).
- Non collocare verdura umida o bagnata nel frigorifero.

- Il periodo massimo di conservazione di tutti i prodotti alimentari dipende dalla qualità originaria del cibo e dall'ininterrotto mantenimento del ciclo di refrigerazione prima della collocazione nell'apparecchio.
  - Per evitare contaminazioni reciproche, non conservare le carni insieme alla frutta o alla verdura. L'acqua eventualmente rilasciata dalla carne può contaminare altri prodotti presenti nel frigorifero. Si raccomanda di confezionare le carni e di pulire i ripiani da eventuali perdite di liquido.
  - Non collocare gli alimenti davanti alle aperture del condotto dell'aria.
  - Consumare gli alimenti confezionati entro la data di scadenza raccomandata.
-  **NOTA:** si consiglia di non conservare patate, cipolle e aglio nel frigorifero.
- Per condizioni di funzionamento normali sarà sufficiente regolare l'impostazione di temperatura del proprio frigorifero a +4 °C.
  - La temperatura dello scomparto frigorifero dovrà essere nel range 0-8 °C: al di sotto di 0 °C gli alimenti freschi si ghiacciano e marciscono, al di sopra di 8 °C la carica batterica aumenta e gli alimenti si danneggiano.
  - Non inserire immediatamente alimenti caldi nel frigorifero: attendere all'esterno che la temperatura si abbassi. Gli alimenti caldi aumentano i gradi del frigorifero, causando intossicazioni alimentari e danneggiando inutilmente gli alimenti.
  - Carni, pesci, ecc. devono essere posizionati nello scomparto freddo per gli alimenti; lo scomparto verdure è da preferire per le verdure (se disponibile).
  - Per prevenire la contaminazione crociata, le carni, la frutta e le verdure non devono essere conservati insieme.
  - Gli alimenti devono essere posizionati nel frigorifero in contenitori chiusi oppure coperti, per evitare umidità e odori.

La seguente tabella rappresenta una guida rapida che illustra il modo più efficiente di conservare all'interno dello scomparto frigorifero gli alimenti dei principali gruppi.

Alimenti	Periodo massimo di conservazione	Come e dove collocarli
<b>Frutta e verdura</b>	1 settimana	Cassetto verdura
<b>Carne e pesce</b>	2 - 3 giorni	Confezionare in pellicola di plastica, sacchetti o contenitori per carni e sistemare sul ripiano in vetro
<b>Formaggi freschi</b>	3 - 4 giorni	Sull'apposito ripiano della porta
<b>Burro e margarina</b>	1 settimana	Sull'apposito ripiano della porta
<b>Prodotti in bottiglia, p. es. latte e yoghurt</b>	Fino alla data di scadenza raccomandata dal produttore	Sull'apposito ripiano della porta
<b>Uova</b>	1 mese	Sull'apposito ripiano della porta
<b>Cibi cotti</b>	2 giorni	Su tutti i ripiani

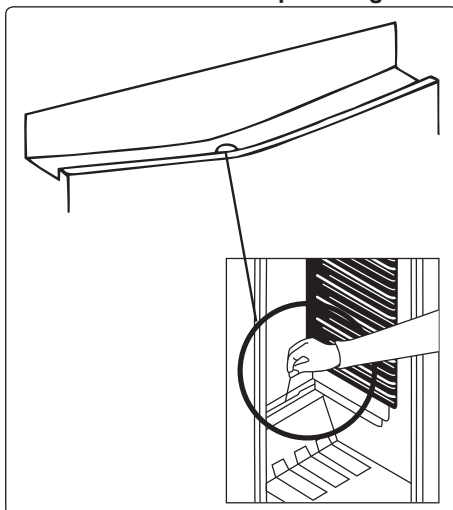
## 5 PULIZIA E MANUTENZIONE

-  Scollegare l'apparecchio dalla rete elettrica prima di pulirlo.
-  Non lavare l'apparecchio versandovi sopra acqua.
-  Non usare prodotti abrasivi, detersivi o saponi per pulire l'apparecchio. Dopo il lavaggio, sciacquare con acqua pulita e asciugare accuratamente. Una volta terminata la pulizia, ricollegare con le mani asciutte la spina all'alimentazione.
- Fare attenzione che l'acqua non penetri nell'alloggiamento della lampada o altri componenti elettrici.
- Pulire regolarmente l'apparecchio con bicarbonato di sodio sciolto in acqua tiepida.
- Pulire a mano separatamente gli accessori con acqua e sapone. Non lavare gli accessori in lavastoviglie.
- Pulire il condensatore con una spazzola almeno due volte all'anno. Questa pratica contribuisce a ridurre i consumi energetici e ad aumentare la produttività.

  **Durante la pulizia, l'apparecchio deve essere scollegato dalla rete elettrica.**


### 5.1 Sbrinamento

#### Sbrinamento dello scomparto frigorifero



- Lo sbrinamento dello scomparto frigorifero avviene automaticamente durante il funzionamento dell'apparecchio. L'acqua confluisce nella vaschetta di raccolta dove evapora automaticamente.
- È necessario pulire periodicamente la vaschetta di raccolta e il foro di scarico dell'acqua con l'apposito scovolino per impedire che l'acqua, anziché defluire, ristagni nella parte inferiore dell'apparecchio.
- È anche possibile pulire il foro di scarico versandovi all'interno mezzo bicchiere d'acqua.

#### Sostituzione dell'illuminazione LED


-  Se l'apparecchio è dotato di illuminazione LED, si prega di contattare il servizio di assistenza poiché questo componente deve essere sostituito solo da personale autorizzato.



## 6 TRASPORTO E RIPOSIZIONAMENTO

### 6.1 Trasporto e riposizionamento

- È possibile conservare l'imballaggio originale e le protezioni antiurto in vista di eventuali trasferimenti dell'apparecchio (opzionale).
- Confezionare l'apparecchio in un imballo di spessore adeguato, fissato con nastro adesivo largo o funi robuste, e seguire le istruzioni riguardanti il trasporto fornite con l'imballaggio usato.
- Durante il trasporto o il trasferimento, rimuovere tutti i componenti mobili (ripiani, accessori, cassettei verdura e così via) o fissarli in sede con nastro adesivo per proteggerli dagli urti.

 Durante il trasporto mantenere sempre l'apparecchio in posizione verticale.

## 7 PRIMA DI CONTATTARE IL SERVIZIO ASSISTENZA

Se l'apparecchio non funziona correttamente, può darsi si tratti di un problema di facile soluzione. Eseguire i seguenti controlli.

### L'apparecchio non funziona

#### Verificare che:

- La tensione di rete sia presente
- L'apparecchio sia collegato alla rete elettrica
- La presa elettrica non sia difettosa. A questo scopo, collegare alla stessa presa un altro apparecchio certamente funzionante.

### L'apparecchio funziona male

#### Verificare che:

- L'apparecchio non sia sovraccarico
- Le porte siano chiuse correttamente
- Non sia presente polvere sul condensatore
- Ci sia spazio sufficiente in corrispondenza delle pareti posteriore e laterali.

### Il funzionamento dell'apparecchio è rumoroso

Durante il normale funzionamento, l'apparecchio può emettere i seguenti rumori.

**Rumori dovuti al motore:** indicano che il compressore funziona correttamente. Il compressore può generare per breve tempo lievi rumori la prima volta che viene attivato.

**Gorgoglio o sciacquio:** è dovuto al movimento del fluido refrigerante all'interno dei condotti del sistema.

**Soffi:** si verificano durante il normale funzionamento a causa della circolazione dell'aria.

### Accumulo di umidità all'interno dell'apparecchio

#### Verificare se:

- Tutti gli alimenti sono confezionati correttamente. Asciugare i contenitori prima di introdurli nell'apparecchio.

- Le porte dell'apparecchio vengono aperte con frequenza. L'umidità presente nel locale penetra nell'apparecchio ogni volta che le porte vengono aperte. L'umidità aumenta più rapidamente se le porte vengono aperte con frequenza, specialmente se il tasso di umidità ambiente è elevato.

### **Le porte non si aprono o chiudono correttamente**

#### **Verificare che:**

- Gli alimenti o le relative confezioni non impediscano la chiusura delle porte
- I compartimenti, ripiani e cassetti presenti nelle porte siano installati correttamente
- Le guarnizioni delle porte non siano rotte o lacerate
- L'apparecchio sia in posizione perfettamente orizzontale.

### **È presente dell'acqua nella parte inferiore dell'apparecchio**

#### **Verificare che:**

Il foro di scarico dell'acqua non sia ostruito (usare l'apposito scovolino per pulire il foro di scarico).

#### **Note importanti:**

- Se l'apparecchio viene spento o scollegato dalla rete elettrica, per evitare danni al compressore attendere almeno 5 minuti prima di ricollegare l'alimentazione o riaccendere l'apparecchio.
- Se si prevede di non utilizzare l'apparecchio per un lungo periodo di tempo (ad esempio durante le vacanze), scollegare la spina dalla presa elettrica. Sbrinare e pulire l'apparecchio, lasciando la porta aperta per evitare la formazione di muffe e odori.
- Se dopo aver seguito le istruzioni sopra riportate un problema persiste, si prega di consultare il più vicino Centro di Assistenza Autorizzato.
- L'apparecchio acquistato è progettato esclusivamente per l'uso domestico. Esso non è adatto all'uso commerciale o comune. In caso di utilizzo dell'apparecchio da parte del consumatore secondo modalità

non conformi a quanto specificato, si sottolinea che il produttore e il distributore non saranno responsabili per nessun guasto o riparazione avvenuti durante il periodo di validità della garanzia.

## **8 SUGGERIMENTI PER IL RISPARMIO ENERGETICO**

1. Installare l'apparecchio in un locale fresco e ben ventilato, al riparo dalla luce solare diretta. Non installare l'apparecchio nelle vicinanze di una fonte di calore (ad esempio un radiatore o un forno) se non per mezzo di una piastra isolante.
2. Lasciare raffreddare i cibi e le bevande calde prima di introdurli nell'apparecchio.
3. Coprire le bevande e gli altri liquidi conservati nell'apparecchio. Lasciare scoperti i liquidi provoca un aumento dell'umidità all'interno dell'apparecchio, con conseguente incremento dei consumi energetici. Coprire le bevande e gli altri liquidi contribuisce inoltre a mantenerne inalterati l'aroma e il sapore.
4. Evitare di tenere aperte le porte per lunghi periodi o di aprire le porte con eccessiva frequenza, poiché l'aria calda penetrerebbe nell'apparecchio causando l'attivazione del compressore più spesso del necessario.
5. Tenere chiuse le coperture dei comparti caratterizzati da temperature differenti (come il cassetto verdura e il comparto chiller).
6. La guarnizione della porta deve essere mantenuta pulita e flessibile. Sostituire le guarnizioni in caso di usura.

# 1 INSTRUCCIONES DE SEGURIDAD

## 1.1 Advertencias de seguridad general

**Lea detenidamente este manual de usuario.**

**⚠️ ADVERTENCIA:** Mantenga libres de obstrucciones las aperturas de ventilación del receptáculo de la nevera o de la estructura integrada.

**⚠️ ADVERTENCIA:** No utilice dispositivos mecánicos ni otros medios para acelerar el proceso de descongelación, salvo los recomendados por el fabricante.

**⚠️ ADVERTENCIA:** No utilice aparatos eléctricos dentro de los compartimentos de la nevera en los que se guardan alimentos, salvo que sean del tipo recomendado por el fabricante.

**⚠️ ADVERTENCIA:** Evite dañar el circuito refrigerante.

**⚠️ ADVERTENCIA:** Para evitar que la inestabilidad del aparato dé lugar a algún tipo de peligro, debe fijarse conforme a las instrucciones.

**⚠️** Si el aparato usa refrigerante de tipo R600a (esta información se muestra en la etiqueta del refrigerador), debe tener cuidado durante el transporte y la instalación para evitar que se dañen los elementos del refrigerador. R600a es un gas natural y respetuoso con el medioambiente, pero es explosivo. Si se dañan los elementos del refrigerador y como consecuencia se produce una fuga, aleje el aparato

de llamas abiertas o fuentes de calor y ventile unos minutos la habitación en la que se encuentra la nevera.

- Durante el transporte y la colocación del aparato, evite dañar el circuito de gas del refrigerador.
- No almacene en este aparato sustancias explosivas, como latas de aerosol con propulsor inflamable.
- Este aparato ha sido diseñada para ser utilizado en aplicaciones domésticas, como:
  - Cocinas para personal de tiendas, oficinas y otros entornos de trabajo.
  - Casas rústicas y habitaciones para clientes de hoteles, moteles y otros entornos de tipo residencial.
  - Establecimientos de tipo “Bed & Breakfast”.
  - Aplicaciones minoristas de catering y similares.
- Para evitar peligros, si la toma eléctrica no fuese compatible con el enchufe, deberá cambiarla el fabricante, un agente de servicio o una persona con una cualificación equivalente.
- El cable de alimentación del refrigerador dispone de un enchufe con conexión a tierra especial. Este enchufe debe usarse con una toma con conexión a tierra especial de 16 amperios. Si su vivienda no dispone de una toma de estas características, contrate a un electricista homologado para que instale una.

- Esta nevera la pueden usar niños de al menos 8 años de edad y personas con capacidades físicas, sensoriales o mentales reducidas o con falta de experiencia y conocimientos siempre que hayan recibido la supervisión o instrucciones necesarias con respecto al uso de la nevera de forma segura y comprendan los riesgos asociados. Los niños no deben jugar con este aparato. Ningún niño debe realizar la limpieza ni el mantenimiento de usuario de este aparato sin supervisión.
- Los niños de 3 a 8 años pueden cargar y descargar aparatos frigoríficos. No se espera que los niños realicen la limpieza o el mantenimiento del aparato, no se espera que los niños muy pequeños (0-3 años) usen los aparatos, no se espera que los niños pequeños (3-8 años) usen los aparatos de manera segura a menos que se les brinde supervisión continua, los niños mayores (8-14 años) y las personas vulnerables pueden usar los aparatos de manera segura después de que se les haya dado la supervisión o instrucción apropiada con respecto al uso del aparato. No se espera que las personas muy vulnerables usen los aparatos de manera segura a menos que reciban supervisión continua.
- Si el cable de alimentación está dañado, debe cambiarlo el fabricante, un agente de servicio autorizado o una persona con una cualificación equivalente a fin de evitar peligros.

- Esta nevera no ha sido diseñada para ser utilizada a una altitud superior a 2000 m.

**Para evitar la contaminación de los alimentos, por favor respete las siguientes instrucciones:**

- La apertura de la puerta durante largos períodos de tiempo puede provocar un aumento significativo de la temperatura en los compartimentos del aparato.
- Limpie regularmente las superficies que puedan entrar en contacto con los alimentos y los sistemas de drenaje accesibles.
- Almacene la carne y el pescado crudos en recipientes adecuados en el frigorífico, de modo que no estén en contacto con otros alimentos ni goteen sobre ellos.
- Los compartimentos de dos estrellas para alimentos congelados son adecuados para almacenar alimentos pre-congelados, almacenar o hacer helados y hacer cubitos de hielo.
- Los compartimentos de una, dos y tres estrellas no son adecuados para la congelación de alimentos frescos.
- Si el aparato frigorífico se deja vacío durante mucho tiempo, apáguelo, descongélelo, límpielo, séquelo y deje la puerta abierta para evitar que se desarrolle moho dentro del aparato.

## 1.2 Advertencias para la instalación

Antes de utilizar el frigorífico por primera vez, preste atención a las siguientes cuestiones:

- El voltaje de funcionamiento del frigorífico es de 220-240 V a 50 Hz.
- El enchufe debe quedar accesible tras la instalación.
- Puede que el frigorífico emita cierto olor cuando se utilice por primera vez. Este olor es normal y desaparecerá cuando el frigorífico comience a enfriarse.
- Antes de conectar el frigorífico, asegúrese de que la información que se muestra en la placa de características (voltaje y carga conectada) concuerde con las características del suministro eléctrico. Si tiene alguna duda, póngase en contacto con un electricista cualificado.
- Inserte el enchufe en una toma eléctrica que disponga de una conexión a tierra eficaz. Si la toma eléctrica no tiene toma a tierra o el enchufe no es compatible con la toma eléctrica, le recomendamos que se ponga en contacto con un electricista cualificado.
- El aparato debe conectarse a una toma eléctrica con fusible debidamente instalada. El suministro eléctrico (CA) y el voltaje del lugar en el que se vaya a colocar el aparato deben coincidir con los datos que se muestran en la placa de características del propio aparato, que se encuentra en su lateral interior izquierdo.
- No nos hacemos responsables de los daños que se produzcan al conectar el aparato sin conexión a tierra.
- No coloque el frigorífico en un lugar en el que esté expuesto a la luz directa del sol.
- El frigorífico no se debe usar nunca en exteriores ni en un lugar en el que esté expuesto a la lluvia.
- El aparato debe estar separado como mínimo 50 cm de cocinas, hornos de gas y radiadores y 5 cm de hornos eléctricos.
- Si coloca el frigorífico junto a un congelador de baja temperatura, debe

estar separado de él al menos 2 cm para evitar que se forme humedad en la superficie exterior.

- No cubra el cuerpo ni la parte superior del frigorífico con encaje. Esto afecta al rendimiento del frigorífico.
- En la parte superior del aparato debe haber un espacio de al menos 150 mm. No coloque nada sobre la nevera.
- No coloque objetos pesados sobre la nevera.
- Limpie a conciencia la nevera antes de usarla (consulte la sección de Limpieza y mantenimiento).
- Antes de usar la nevera, limpie todas sus piezas con una solución de agua caliente y una cucharilla de bicarbonato de sodio. A continuación, límpielas con agua limpia y séquelas. Tras limpiar las diferentes piezas, vuelva a colocarlas en la nevera.
- El procedimiento de instalación dentro de un mueble de cocina se explica en el manual de instalación. Este producto se ha diseñado únicamente para ser utilizado en muebles de cocina adecuados.

## 1.3 Durante el uso

- No utilice un alargador para conectar el refrigerador a la red eléctrica.
- No utilice enchufes dañados, desgastados o viejos.
- No tuerza o dañe el cable ni tire de él.
- Este aparato ha sido diseñado para que lo usen personas adultas. No deje que ningún niño juegue con el aparato o que se cuelgue de la puerta.
- No toque nunca el enchufe/cable de alimentación con las manos mojadas. De hacerlo, podría producirse un cortocircuito o una descarga eléctrica.
- No coloque materiales explosivos o inflamables dentro de la nevera. Las bebidas con alto contenido de alcohol deben colocarse verticalmente en el compartimento del refrigerador y asegurarse de que estén muy bien cerradas.



## Aparatos antiguos y fuera de servicio

- Si su antiguo frigorífico o congelador tiene un candado, rómpalo o quítelo antes de desecharlo, dado que se podría quedar atrapado en su interior un niño y producir un accidente.
- Las neveras y los congeladores antiguos contienen material de aislamiento y refrigerante con CFC. Por lo tanto, evite dañar el medioambiente al desechar un antiguo frigorífico.

### Declaración de conformidad de la CE

Declaramos que nuestros productos cumplen con las Directivas, Decisiones y Normativas europeas pertinentes y con los requisitos enumerados en los estándares mencionados.

### Desecho del antiguo aparato

El símbolo que se muestra sobre el producto o su embalaje indica que este producto no se puede tratar como residuo doméstico. En su lugar, debe llevarse al punto de recogida pertinente para el reciclado de equipos eléctricos y electrónicos. Asegúrese de que este producto sea desechado debidamente para evitar que se puedan producir daños en el medioambiente y la salud de las personas. Si desea obtener información detallada sobre el reciclaje de este producto, póngase en contacto con su oficina municipal, el servicio de desecho de residuos domésticos o la tienda en la que adquirió el producto.



### El embalaje y el medio ambiente

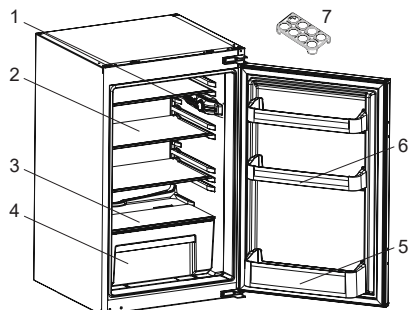
Los materiales de embalaje protegen su máquina de los daños que puedan ocasionarse durante el transporte. Los materiales de embalaje son respetuosos con el medio ambiente, ya que son reciclables. El uso de material reciclado reduce el consumo de materias primas y, por lo tanto, la producción de residuos.




## Notas:

- Lea detenidamente el manual de instrucciones antes de instalar y usar el aparato. No somos responsables de los daños que se produzcan como consecuencia de un uso indebido.
- Siga todas las instrucciones del aparato y del manual de instrucciones y guarde este manual en un lugar seguro para resolver cualquier tipo de problema que pueda producirse en el futuro.
- Este aparato se ha diseñado para ser utilizado en viviendas y solo debe utilizarse en entornos domésticos y para los fines especificados. No es adecuado para uso comercial o común. Este tipo de uso invalidará la garantía del aparato y nuestra compañía no se hará responsable de las pérdidas que se produzcan.
- Este aparato se ha diseñado para ser usado en hogares y solo es apto para enfriar/conservar alimentos. No es adecuado para uso comercial o común ni para guardar sustancias que no sean alimentos. Nuestra empresa no es responsable de las pérdidas que se puedan producir en caso contrario.

## 2 DESCRIPCIÓN DEL APARATO



 Esta presentación sobre las piezas del aparato solo se ofrece a título informativo. Las piezas pueden variar según el modelo de aparato.

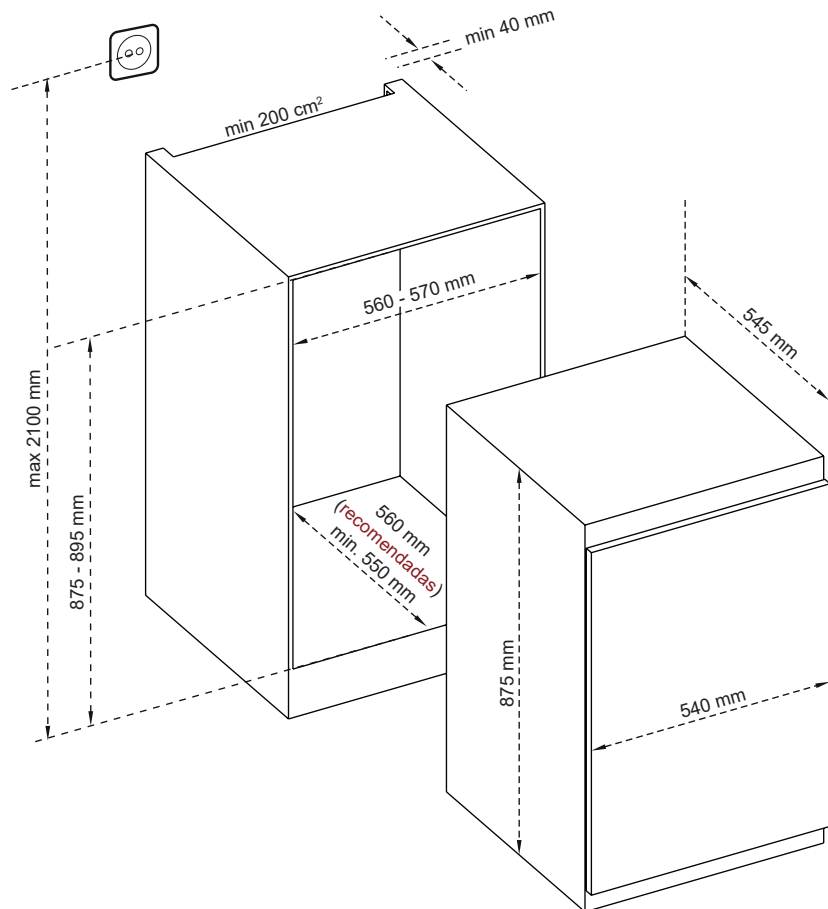
- 1) Compartimento de termostato
- 2) Estantes de refrigerador
- 3) Cubierta de cajón para fruta y verdura
- 4) Cajón para fruta y verdura
- 5) Estante portabotellas
- 6) Estantes de puerta
- 7) Huevera

### **Notas generales:**

**Compartimento de alimentos frescos (frigorífico):** Se garantiza un uso más eficiente de la energía con una disposición uniforme de los cajones en la parte inferior del electrodoméstico y de los estantes, la posición de los cajones de la puerta no afecta el consumo de energía.

## 2.1 Dimensiones

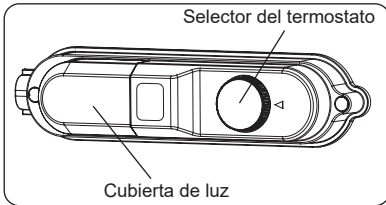
\* 875 - 883 para la tapa superior de metal



## 3 USO DEL APARATO

### 3.1 Ajuste del Termostato

El termostato del refrigerador regulan automáticamente la temperatura en el interior de el compartimento del refrigerador. Gire el selector a una posición más alta, de 1 a 5, para obtener temperaturas más bajas. Durante las estaciones más frías, ajuste el termostato en posiciones inferiores para reducir el consumo eléctrico.



#### Ajustes del termostato

- Para la conservación de alimentos en el compartimento refrigerador durante un corto período de tiempo, puede colocar el mando del termostato entre la posición 1 y 3.
- Para la conservación de alimentos en el compartimento refrigerador durante un período normalmente de tiempo, puede colocar el mando del termostato en la posición 3 y 4.
- Para la conservación de alimentos en el compartimento refrigerador durante un período largo de tiempo, puede colocar el mando del termostato en la posición 4 y 5.

### 3.2 Advertencias de ajustes de temperatura

- La temperatura ambiental, la temperatura de los alimentos recién introducidos y la frecuencia con la que se abra la puerta afectan a la temperatura del refrigerador. Si fuese necesario, seleccione otra temperatura.
- En lo que a eficacia se refiere, no se recomienda operar el refrigerador en entornos de temperaturas inferiores a los 10 °C.
- Al regular el termostato, tenga en cuenta la frecuencia con la que se abren las puertas del aparato, el volumen de alimentos almacenados y el entorno en el que se ubica el refrigerador.
- Cuando encienda el aparato por primera vez, deje que funcione durante 24 horas para que alcance la temperatura de funcionamiento. Durante este período, no abra la puerta ni guarde demasiados alimentos en el interior del aparato.
- Durante los cortes del suministro eléctrico apague el aparato para impedir que se dañe el compresor. Una vez que se restaure el suministro, espere entre 5 y 10 minutos para volver a enchufar el aparato. De este modo se impide que se dañen sus componentes.
- El aparato está diseñado para trabajar en las temperaturas ambientales indicadas en los estándares, conforme a la clase climática indicada en la etiqueta de información. No se recomienda utilizar el refrigerador en entornos en los que se den temperaturas que estén fuera del rango especificado. Esto reduciría la eficacia del aparato en lo que a refrigeración se refiere.
- Este aparato está diseñado para trabajar en los rangos de temperatura ambiental (T/SN = 10 °C - 43 °C) indicados en los estándares, conforme a la clase climática indicada en la etiqueta de información. No recomendamos operar este aparato fuera de los límites de temperatura indicados, dado que se ve afectada su

eficacia. Compruebe las Advertencias debajo.

**Tipo de clima y significado:**

**T (tropical):** Este electrodoméstico de refrigeración está destinado para su uso a temperaturas ambiente que oscilan entre los 16 °C y los 43 °C.

**ST (subtropical):** Este electrodoméstico de refrigeración está destinado para su uso a temperaturas ambiente que oscilan entre los 16 °C y los 38 °C.

**N (templado):** Este electrodoméstico de refrigeración está destinado para su uso a temperaturas ambiente que oscilan entre 16 °C y 32 °C.

**SN (temperatura extendida):** Este electrodoméstico de refrigeración está destinado para su uso a temperaturas ambiente que oscilan entre 10 °C y 32 °C.

## 4 ALMACENAMIENTO DE ALIMENTOS

- Para reducir la humedad y evitar la subsiguiente formación de escarcha, guarde los líquidos en recipientes herméticos en el refrigerador. La escarcha tiende a acumularse en las partes más frías del líquido que se evapora y con el tiempo deberá descongelarse el aparato con una mayor asiduidad.
- No coloque nunca alimentos calientes en el refrigerador. Los alimentos calientes deben dejarse enfriar a temperatura ambiental y deben colocarse de tal forma que se garantice una adecuada circulación del aire en el compartimento del refrigerador.
- Asegúrese de que no haya ningún elemento en contacto directo con la pared trasera del aparato, ya que se formará escarcha y el embalaje se pegará a ella. No abra la puerta del refrigerador con frecuencia.
- Recomendamos envolver el pescado limpio y la carne de manera holgada y guardarlos en el estante de cristal que está justo encima del compartimento para verduras, donde se encuentra el refrigerador de aire, ya que ofrece las mejores condiciones de almacenamiento.
- Almacene las frutas y verduras sueltas en los cajones para fruta y verdura.
- Almacene las frutas y verduras sueltas en el cajón para fruta y verdura.
- Al almacenar por separado las frutas y las verduras, se impide que los vegetales sensibles al etileno (verduras de hoja verde, brócoli, zanahoria, etc.) se vean afectados por las frutas que liberan gas etileno (plátanos, melocotones, albaricoques, etc.).
- No coloque vegetales húmedos en el refrigerador.
- El tiempo de conservación de los alimentos depende de la calidad inicial del alimento y de si este disfrutó de un ciclo ininterrumpido de refrigeración antes de meterse en el refrigerador.

- Para evitar la contaminación cruzada no almacene productos de carne con frutas o verduras. El agua que sale de la carne podría contaminar otros productos que haya en el refrigerador. Debe envasar los productos de carne y limpiar el líquido que se haya derramado en los estantes.
- No coloque alimentos en frente del conducto de aireación.
- Consuma los alimentos envasados antes de la fecha de caducidad recomendada.



**NOTA:** Las patatas, cebollas y el ajo no se deben guardar en el


refrigerador.


- Para condiciones de uso normales, bastará con ajustar la temperatura de su refrigerador a +4 °C.
- La temperatura del compartimento del frigorífico debe estar en el rango de 0 a 8 °C, los alimentos frescos por debajo de 0 °C se congelan y se pudren, la carga bacteriana aumenta por encima de 8 °C, y se estropean.
- No coloque comida caliente en el refrigerador, espere a que se enfríe. Los alimentos calientes aumentan el grado de su refrigerador y causan intoxicación alimentaria, así como el deterioro innecesario de la comida.
- La carne, el pescado, etc. deben almacenarse en el compartimento de refrigeración de la comida, y el compartimento de las verduras es preferible para las verduras. (si está disponible)
- Para evitar la contaminación cruzada, los productos cárnicos y las frutas y verduras no se deben almacenar juntos.
- Los alimentos deben colocarse en recipientes cerrados o cubiertos para evitar la humedad y los olores.


La siguiente tabla le servirá de referencia rápida para determinar la manera más eficaz de almacenar en el refrigerador los principales grupos de alimentos.

Alimento	Tiempo máximo de conservación	Cómo y dónde almacenarlos
<b>Vegetales y frutas</b>	1 semana	Cajón para vegetales
<b>Carne y pescado</b>	2-3 días	Envolver en bolsas o film de plástico o guardar en un recipiente para carne y colocar en el estante de cristal.
<b>Queso fresco</b>	3-4 días	En su estante de puerta
<b>Mantequilla y margarina</b>	1 semana	En su estante de puerta
<b>Productos embotellados, como leche y yogur</b>	Hasta la fecha de caducidad recomendada por el productor	En su estante de puerta
<b>Huevos</b>	1 mes	En el estante para huevos
<b>Alimentos cocinados</b>	2 días	En cualquier estante



## 5 LIMPIEZA Y MANTENIMIENTO

 Antes de realizar tareas de limpieza, desconecte la unidad del suministro eléctrico.

 No lave el aparato vertiendo agua sobre él.

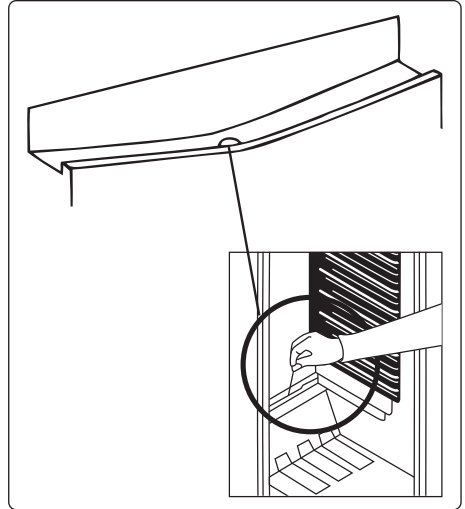
 No utilice jabones, detergentes ni productos abrasivos para limpiar el aparato. Después de haberlo lavado, enjuáguelo con agua limpia y séquelo con cuidado. Cuando haya terminado de limpiarlo, vuelva a conectar el enchufe a la red eléctrica con las manos secas.


- Asegúrese de que no entre agua en el receptáculo de las luces ni otros componentes eléctricos.
- El aparato debe limpiarse periódicamente con una solución de agua tibia y bicarbonato sódico.
- Limpie los accesorios por separado, a mano y con agua y jabón. No lave los accesorios en el lavavajillas.
- Limpie el condensador con un cepillo al menos dos veces al año. Esto le ayudará a ahorrar en electricidad y a mejorar la productividad.

  **Durante las tareas de limpieza debe desconectarse el aparato de la red eléctrica.**

### 5.1 Descongelación

#### Descongelación del compartimento del refrigerador



- El uso normal del refrigerador hace que se acumule escarcha automáticamente en su interior. La bandeja de evaporación recoge el agua, que se evapora automáticamente.
  - La bandeja de evaporación y el orificio de desagüe deben limpiarse periódicamente con el tapón de desagüe de descongelación para impedir que el agua se acumule en la parte inferior del refrigerador en lugar de fluir hacia el exterior.
  - También puede limpiar el orificio de desagüe vertiendo medio vaso de agua en él.
-  Si el **aparato** dispone de luces LED, póngase en contacto con el servicio de soporte técnico, ya que solo debe cambiarlas personal autorizado.

## 6 TRANSPORTE Y REUBICACIÓN

### 6.1 Transporte y reubicación

- El embalaje original y la espuma se pueden conservar para volver a transportar el aparato (opcional).
- Sujete el aparato con un embalaje grueso, bandas o cuerdas fuertes y siga las instrucciones de transporte que se suministran en el embalaje.
- Cuando vaya a reubicar o transportar el aparato, quite todas las piezas móviles (estantes, accesorios, cajones para vegetales, etc.) o fíjelas al aparato protegiéndolas con bandas de los golpes.



El aparato debe transportarse siempre en posición vertical.

## 7 ANTES DE LLAMAR AL SERVICIO DE POSVENTA

Si su refrigerador no funciona adecuadamente, puede que haya un problema menor. Compruebe lo siguiente.

### El aparato no funciona

#### Compruebe lo siguiente:

- Hay electricidad.
- El aparato está conectado a la red eléctrica.
- La toma eléctrica está defectuosa. Para comprobarlo, conecte otro aparato que funcione a dicha toma.

### El aparato no funciona bien

#### Compruebe lo siguiente:

- El aparato está sobrecargado.
- Las puertas están bien cerradas.
- Hay polvo en el condensador.
- Hay suficiente espacio cerca de las paredes trasera y laterales.

### El refrigerador hace ruido

El aparato puede hacer cualquiera de los siguientes ruidos durante su funcionamiento normal.

**Ruido de motor:** Indica que el compresor está funcionando con normalidad. El compresor puede hacer más ruido durante un breve período de tiempo cuando se activa por primera vez.

#### **Ruido de burbujas y salpicaduras:**

Se produce como consecuencia del flujo de refrigerante por los tubos del sistema.

**Ruido de aire circulando:** Se produce durante el funcionamiento normal del sistema debido a la circulación del aire.

### Se acumula humedad en el interior del refrigerador

#### Compruebe lo siguiente:

- Los alimentos están debidamente envasados. Los contenedores deben estar secos antes de colocarse en el refrigerador.
- Las puertas del refrigerador se abren con frecuencia. Cada vez que se abren



las puertas del refrigerador, entra la humedad de la habitación. La humedad aumenta a un mayor ritmo si las puertas se abren con frecuencia, en especial si la humedad de la habitación es elevada.

- Se acumulan gotas de agua en la pared trasera. Esto es algo normal tras la descongelación automática (en los modelos estáticos).

### **Las puertas no se abren o cierran bien**

#### **Compruebe lo siguiente:**

- Hay algún alimento o envase que impida que la puerta se cierre del todo.
- Los cajones, estantes y compartimentos de la puerta están colocados correctamente.
- Las juntas de estanqueidad de las puertas están rotas o estropeadas.
- El refrigerador está nivelado.

### **Hay agua en la parte inferior del refrigerador**

#### **Compruebe lo siguiente:**

El orificio de desagüe no está atascado (utilice el tapón del desagüe de descongelación para limpiar el orificio de desagüe).

#### **Recomendaciones**

- Si se apaga o desenchufa el aparato, debe dejar pasar al menos 5 minutos antes de volver a enchufar o encender la unidad para evitar que se dañe el compresor.
- Desenchufe el refrigerador si no lo va a utilizar durante mucho tiempo (por ejemplo, durante las vacaciones de verano). Limpie el refrigerador de acuerdo con el capítulo dedicado a la limpieza y deje la puerta abierta para evitar humedad y olores.
- Si tras seguir las instrucciones proporcionadas anteriormente sigue habiendo algún problema, póngase en contacto con el centro de servicio autorizado más cercano.

- El aparato que ha comprado solo está diseñado para uso doméstico. No es adecuado para uso comercial o común. Queremos destacar que si el usuario utiliza el aparato de alguna manera que se incumplan estas indicaciones, ni el fabricante ni el distribuidor serán responsables de ninguna reparación ni avería dentro del período de garantía.

## 8 CONSEJOS PARA AHORRAR ELECTRICIDAD


1. Instale el aparato en una habitación fresca y bien ventilada, donde no reciba la luz directa del sol y no esté cerca de una fuente de calor (como un radiador o un horno). De lo contrario, debería utilizarse una placa aislante.
2. Deje que los alimentos y las bebidas calientes se enfríen antes de colocarlos en el aparato.
3. Las bebidas u otro tipo de líquidos deben taparse cuando se coloquen dentro del aparato. Si no se tapan, aumentará la humedad en el interior del aparato, lo que hará que el aparato consuma más electricidad. Mantener tapadas las bebidas y otros líquidos ayuda a conservar su aroma y sabor.
4. Evite dejar las puertas abiertas durante mucho tiempo así como abrirlas muy a menudo, ya que de lo contrario, entrará aire caliente en el aparato y hará que el compresor tenga que trabajar a menudo de manera innecesaria.
5. Mantenga cerradas las cubiertas de los distintos compartimentos de temperatura (como el cajón para fruta y verdura y el enfriador).
6. La junta de estanqueidad de la puerta debe estar limpia y flexible. Cambie las juntas de estanqueidad si están gastadas.

# VARNOSTNA NAVODILA


POMEMBNE informacije, ki jih morate prebrati in upoštevati


Pred uporabo aparata preberite varnostna navodila. Navodila za prihodnjo uporabo hranite na doseg roke.


V navodilih za uporabo in na aparatu so pomembna varnostna navodila, ki jih mora uporabnik prebrati in vedno upoštevati. Proizvajalec ne prevzema odgovornosti v primeru neupoštevanja varnostnih navodil, nepravilne uporabe aparata ali napačne nastavitve upravljalnih elementov.


 Zelo majhni otroci (0–3 let) naj se ne približujejo aparatu. Majhni otroci (3–8 let) naj se aparatu ne približujejo, če niso pod neprestanim nadzorom. Otroci, stari 8 let ali več, in osebe z omejenimi telesnimi, čutnimi ali razumskimi sposobnostmi oz. osebe, ki nimajo izkušenj in znanja, lahko aparat uporabljajo le, če so pod nadzorom oz. če so bili poučeni o varni uporabi aparata in se zavedajo morebitnih nevarnosti. Otroci se z aparatom ne smejo igrati. Otroci brez nadzora ne smejo čistiti ali vzdrževati aparata.


## DOVOLJENA UPORABA

 **POZOR:** ta aparat ni namenjen delovanju z zunanjimi upravljalnimi napravami, kot je časovnik ali ločen daljinski upravljalnik.

 Aparat je namenjen uporabi v gospodinjstvu in temu podobnim načinom uporabe, kot so: kuhinje za osebje v trgovinah, pisarnah in drugih delovnih okoljih, kmetije, hoteli, moteli in druga stanovanjska okolja.

 Aparat ni namenjen profesionalni uporabi. Aparata ne uporabljajte na prostem.

 Žarnica v aparatu je posebej zasnovana za gospodinjske aparate in ni primerna za razsvetljavo prostorov v gospodinjstvih (uredba Komisije (ES) 244/2009).


 Aparat je zasnovan za delovanje v prostorih, kjer je temperatura znotraj naslednjih temperaturnih območij. Na napisni ploščici je napisan klimatski razred aparata. Aparat morda ne bo deloval pravilno, če ga dlje časa pustite na temperaturi, ki je zunaj predpisanega območja.


## Klimatski razred sob. temp. (°C)


SN: od 10 do 32 °C  
ST: od 16 do 38 °C;  
N: od 16 do 32 °C  
T: od 16 do 43 °C




Aparat ne vsebuje klorofluoroogljikovodikov (CFC). Hladilni krogotok vsebuje R600a (HC). Aparati z izobutanom (R600a): izobutan je naraven plin, ki ne škoduje okolju, vendar je vnetljiv. Zato se morate obvezno prepričati, da cevi hladilnega sistema niso poškodovane, še posebej takrat, ko sistem praznite.

 **OPOZORILO:** ne poškodujte cevi hladilnega krogotoka.

 **OPOZORILO:** prezračevalne odprtine na ohišju aparata ali vgradni konstrukciji ne smejo biti prekrite.

 **OPOZORILO:** za pospešitev postopka odtajanja uporabljajte mehanska, električna ali kemična sredstva, ki jih priporoča proizvajalec.

 **OPOZORILO:** v notranjosti aparata ne uporabljajte oz. ne postavljajte

električnih naprav, če jih izrecno ne odobri proizvajalec.

⚠️ **POZORILLO:** ledomate in/ali vodomate brez neposredne povezave z vodovodnim omrežjem polnite izključno s pitno vodo.

⚠️ V aparatu ali njegovi bližini ne shranjujte eksplozivnih snovi, kot so pločevinke z razpršili. Na teh mestih prav tako ne uporabljajte oz. nanje ne postavljajte bencina ali drugih vnetljivih snovi.

⚠️ Ne zaužijte (nestrupene) vsebine hladilnih vložkov (pri nekaterih modelih). Ledenih kock in sladoleda ne zaužijte takoj, ko jih vzamete iz zamrzovalnega prostora, saj lahko povzročijo ozeblino.

⚠️ Pri izdelkih, ki so zasnovani za uporabo zračnega filtra v pokrovu ventilatorja, mora biti filter med delovanjem aparata vedno nameščen.

⚠️ V zamrzovalnem prostoru ne shranjujte tekočin v steklenih posodah, saj lahko počijo. Ventilatorja (če je priložen) ne prekrivajte z živili.

Ko v aparat postavite živila, preverite, ali je mogoče vrata posameznih predelov, posebno vrata zamrzovalnega prostora, pravilno zapreti.

⚠️ Poškodovana tesnila zamenjajte v najkrajšem možnem času.

⚠️ Hladilni prostor uporabljajte samo za shranjevanje svežih živil, zamrzovalni prostor pa za shranjevanje zamrznjenih živil, zamrzovanjih svežih živil in izdelavo ledenih kock.

⚠️ Živil, ki niso embalirana, ne shranjujte tako, da so v neposrednem stiku z notranjimi površinami

hladilnega ali zamrzovalnega prostora.

Aparati so lahko opremljeni s posebnimi predali za shranjevanje živil (predal za svežo hrano, predal z nič stopinjami, ...).

Če v ustreznem priročniku o izdelku ni navedeno drugače, lahko te predale odstranite, kar ne vpliva na zmogljivost aparata.



Ciklopentan je vnetljiv plin in se uporablja kot penilec v izolacijski peni.

## **NAMESTITEV**

⚠️ Za premikanje in namestitvev aparata sta potrebni najmanj dve osebi – nevarnost poškodb. Za odstranjevanje embalaže in namestitev uporabite rokavice – nevarnost ureznin.

⚠️ Namestitev, vključno s priklopom vode (če je prisotna) in elektrike, ter popravila mora izvajati usposobljen tehnik. Ne popravljajte ali zamenjujte delov aparata, razen če to ni izrecno navedeno v uporabniškem priročniku.

Otroci se mestu namestitve ne smejo približati. Ko aparat odstranite iz embalaže, se prepričajte, da med prevozom ni bil poškodovan.

V primeru težav se obrnite na prodajalca ali na najbližji servisni center. Ko aparat namestite, ostanke embalaže (plastika, dele iz stiropora itd.) shranite izven dosega otrok – nevarnost zadušitve. Preden aparat namestite, ga odklopite z električnega omrežja – nevarnost električnega udara. Med namestitvijo pazite, da aparat ne poškoduje napajalnega kabla – nevarnost požara ali električnega udara. Aparat vključite šele, ko je namestitev končana.

⚠ Pazite, da med premikanjem naprave ne poškodujete tal (npr. parketa). Aparat namestite na tla ali podstavek, ki je dovolj močan za njeno težo, ter v položaj, ki ustreza velikosti in uporabi aparata. Aparat ne sme biti blizu vira toplote, vse štiri noge pa morajo trdno stati na tleh; po potrebi jih lahko prilagodite. S pomočjo vodne tehničnice preverite, ali je aparat popolnoma uravnan. Pred vklopom aparata počakajte najmanj dve uri, da zagotovite polno zmogljivost hladilnega krogotoka. Dimenzije in razmaki, potrebni za namestitvev aparata, so na voljo v navodilih za namestitvev.

⚠ OPOZORILO: Pri nameščanju aparata bodite pozorni, da ne stisnete ali poškodujete napajalnega kabla.

⚠ OPOZORILO: Da preprečite nevarnosti zaradi nestabilnosti, je treba aparat namestiti in pričvrstiti v skladu z navodili proizvajalca. Hladilnika ni dovoljeno namestiti tako, da so kovinska cev plinskega štedilnika, kovinska plinska ali vodovodna cev oz. električni kabli v stiku s hrbtno stranjo hladilnika (kondenzator).

### **OPOZORILO GLEDE ELEKTRIČNEGA TOKA**

⚠ Prekinitev napajanja aparata mora biti mogoča z izklopom vtiča, če je ta na dosegu roke, ali z večpolnim stikalom, ki je v skladu s predpisi za ožičenje nameščeno na vodu med vtičnico in aparatom. Aparat mora biti prav tako ozemljen v skladu z državnimi standardi glede električne varnosti.

⚠ Prepovedana je uporaba podaljškov, razdelilnih vtičnic in adapterjev. Električne komponente po namestitvi aparata uporabnikom ne smejo biti dostopne. Aparata ne uporabljajte, kadar ste mokri ali bos. Aparata ne uporabljajte, če ima poškodovan električni kabel ali vtič, če ne deluje pravilno oziroma če je bil poškodovan ali je padel.

⚠ Če je napajalni kabel poškodovan, ga lahko z enakim kablom nadomesti le proizvajalec, njegov serviser ali podobno usposobljena oseba, da ne pride do tveganja – nevarnosti električnega udara.


⚠ OPOZORILO: Na zadnjo stran aparata ne namestite več razdelilnih kablov ali podaljškov.

### **ČIŠČENJE IN VZDRŽEVANJE**

⚠ OPOZORILO: Aparat morate pred vzdrževalnimi deli izklopiti in izključiti z električnega napajanja; ne uporabljajte parnih čistilcev – nevarnost električnega udara.

⚠ Na plastičnih delih, notranjih obrobeh in obrobeh vrat ali vtičnicah ne uporabite abrazivnih ali agresivnih čistilnih snovi, kot so razpršila za okna, močna čistila, vnetljive tekočine, čistilni voski, koncentrirani detergenti, belila ali čistila, ki vsebujejo petrolej. Ne uporabljajte papirnatih brisač, krp za drgnjenje in drugih agresivnih sredstev.

## ODSTRANJEVANJE EMBALAŽNIH MATERIALOV


Embalažo je mogoče 100 % reciklirati in je označena s simbolom za recikliranje .

Dele embalaže zato odvrzite odgovorno in v skladu s predpisi pristojnih služb, ki urejajo odlaganje odpadkov.

## ODSTRANJEVANJE GOSPODINJSKIH APARATOV

Aparat je izdelan iz materialov, ki jih je mogoče reciklirati ali ponovno uporabiti. Aparat odstranite v skladu z veljavnimi lokalnimi predpisi.

Dodatne informacije o odstranjevanju in recikliranju električnih gospodinjskih aparatov lahko dobite na pristojnem občinskem uradu, pri komunalni službi ali v trgovini, kjer ste aparat kupili. Aparat je označen v skladu z evropsko Direktivo 2012/19/EU o odpadni električni in elektronski opremi (OEEO). Aparat odstranite na ustrezen način, saj lahko s tem preprečite škodljive posledice za okolje in zdravje ljudi.

Simbol  na izdelku ali priloženi dokumentaciji pomeni, da je aparat prepovedano odlagati med komunalne odpadke. Oddati ga je treba v zbirnem centru za recikliranje električne in elektronske opreme.

## NASVETI ZA VARČEVANJE Z ENERGIJO

Upoštevajte navodila za namestitvev, da zagotovite zadostno prezračevanje.

Nezadostna ventilacija na zadnji strani izdelka poveča porabo energije in zmanjša hladilno učinkovitost aparata.

Pogosto odpiranje vrat lahko povzroči povečanje porabe energije.

Na notranjo temperaturo aparata in porabo energije lahko vplivata temperatura ozračja in mesto namestitve aparata. Pri nastavitvi temperature upoštevajte te dejavnike. Vrata odpirajte samo takrat, ko je treba.

Ko želite zamrznjeno hrano odtajati, jo položite v hladilni prostor. Nizka temperatura zamrznjenih izdelkov ohlaja druga živila v hladilniku.

Topla hrana in pijača naj se ohladita, preden ju postavite v aparat.

Položaji polic v hladilniku ne vplivajo na varčno porabo električne energije. Živila na police zložite tako, da zagotovite ustrezno kroženje zraka (živila se ne smejo dotikati med seboj, med živila in zadnjo steno mora biti zadostna razdalja).

Prostor za shranjevanje zamrznjene hrane lahko povečate tako, da odstranite košare in polico Stop Frost (če je na voljo).

Povsem običajno je, da kompresor med delovanjem oddaja zvoke. To ni razlog za skrb.

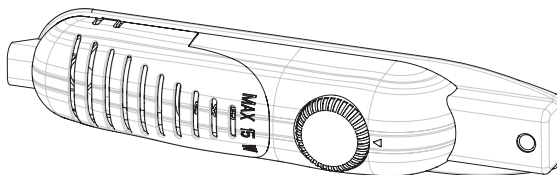


Oznaka skladnosti s predpisi zalivskih držav na izdelku označuje skladnost z vsemi zahtevami zalivskih tehničnih predpisov za nizkonapetostno električno opremo in naprave BD-142004-01.

# UPORABA APARATA

## Nastavljanje termostata

- Termostat samodejno regulira temperaturo v notranjosti hladilnika. Z vrtenjem vrtljivega gumba po položajih od 1 do 5 lahko dosežete nižje temperature.
- Položaj "•" kaže, da je termostat zaprt in da ne bo hlajenja.
- Za kratkotrajno shranjevanje hrane v hladilniku lahko gumb nastavite med najnižji in srednji položaj (1-3).
- Za dolgotrajno shranjevanje hrane v hladilniku lahko gumb nastavite na srednji položaj (3-4).



**Upoštevajte:** Na temperaturo v hladilniku vpliva temperatura okolice, temperatura hrane, ki jo shranite, in to, kako pogosto odpirate vrata. Po potrebi spremenite nastavev temperature.

- Ko aparat prvič vklopite, je najbolje, če ga pustite 24 ur delovati praznega brez hrane in brez odpiranja vrat. Če ga morate pričeti uporabljati takoj, poskusite v njem shraniti manjšo količino hrane.
- Če aparat izklopite ali izvlečete vtič iz vtičnice, morate počakati najmanj 5 minut, preden ga ponovno vklopite, da ne pride do poškodbe kompresorja.
- HLADILNIKI ZA ŽIVILA (brez zvezdic): Hladilniki za živila nimajo zamrzovalnega prostora, lahko pa hladijo do 4 - 6°C.

## Opozorila glede nastavev temperature

- Zaradi učinkovitosti hladilnika ni priporočljivo, da ga uporabljate v okoljih, kjer je temperatura nižja od 10 °C.
- Nastavitve temperature je treba prilagoditi pogostosti odpiranja vrat in količini hrane, ki jo hranite v hladilniku.
- Hladilnik morate po priključitvi pustiti, da neprekinjeno deluje do 24 ur do popolne ohladitve, odvisno od temperature okolice. Ne odpirajte pogosto vrat hladilnika in v tem času vanj ne dajajte veliko hrane.
- Za preprečevanje poškodb hladilnika je aktivirana funkcija 5-minutne zakasnitve, kadar izvlečete vtič iz vtičnice in ga nato ponovno priključite ali če pride do izpada električne energije. Vaš hladilnik bo po petih minutah pričel spet normalno delovati.
- Vaš hladilnik je zasnovan tako, da deluje v intervalih temperature okolice, navedenih v standardih, v skladu s klimatskim razredom, navedenim na informacijski nalepki. Zaradi učinkovitosti hlajenja vam ne priporočamo, da hladilnik uporabljate zunaj navedenih mejnih vrednosti temperature.
- Ta naprava je zasnovana za uporabo pri temperaturi okolice v območju 16 °C - 32 °C.

# SHRANJEVANJE ŽIVIL V APARATU

- Hladilnik se uporablja za nekajdnevno shranjevanje svežih živil.
- Živila ne smejo biti v stiku z zadnjo steno hladilnika. Okoli živil pustite nekaj prostora, da zrak lahko kroži.
- V hladilnik ne dajajte vročih živil ali hlapljivih tekočin.
- Vedno zagotovite, da je hrana zavita ali shranjena v zaprtih posodah.
- Za zmanjšanje vlage in preprečevanje nastajanja ledu v hladilnik nikoli ne dajajte tekočin v posodah, ki ne tesnijo.
- Priporočamo vam, da meso ohlapno zavijete in ga shranite na stekleni polici nad predalom za zelenjavo, kjer je zrak hladnejši.
- Sadje in zelenjavo shranite nezavite v posodah za ohranjanje svežine.
- Da preprečite uhajanje hladnega zraka, skušajte čim manj pogosto odpirati vrata, vrat pa tudi ne puščajte odprtih dlje časa.

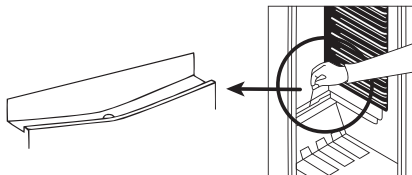
# ČIŠČENJE IN VZDRŽEVANJE

- Pred čiščenjem aparat izklopite iz napajanja.
- Aparata ne čistite s polivanjem z vodo.
- Pazite, da v ohišje lučke in druge električne komponente ne zaide voda.
- Hladilnik je treba občasno čistiti z raztopino sode bikarbone v mlačni vodi.
- Pribor očistite ločeno z detergentom in vodo. Ne pomivajte jih v pomivalnem stroju.
- Ne uporabljajte abrazivnih sredstev, detergentov ali mil. Po pomivanju splaknite s čisto vodo in skrbno osušite. Ko zaključite čiščenje, s suhimi rokami ponovno priključite vtič v omrežno vtičnico.
- Kondenzator najmanj dvakrat na leto očistite z metlo. To bo prispevalo k znižanju stroškov porabe energije in povečalo učinkovitost.

## ELEKTRIČNO NAPAJANJE MORA BITI ODKLOPLJENO.

### Odmrzovanje

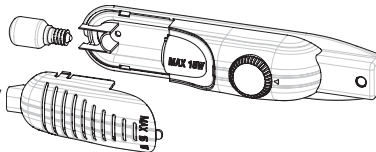
- Odmrzovanje se v hladilniku med delovanjem odvija samodejno; voda se nabira v izparilni posodi in samodejno izpareva.
- Izparilno posodo in luknjo za odtekanje vode je treba redno čistiti s čepom za odvod vode od odmrzovanja, da se voda ne začne nabirati na dnu hladilnika, namesto da bi odtekala ven.
- Odtočno odprtino lahko očistite tudi tako, da vanjo zlijete pol kozarca vode.



### Menjava žarnice

Pri menjavi žarnice v hladilniku;

1. aparat odklopite iz električnega omrežja,
2. pritisnite kavlja na obeh straneh pokrova luči in pokrov luči odstranite
3. žarnico zamenjajte z novo žarnico z močjo, ki ne presega 15 W.
4. Pokrov luči namestite nazaj, počakajte pet minut in nato priključite vtič aparata v vtičnico.



### Zamenjava osvetlitve LED

Če ima vaš hladilnik osvetlitev LED, se obrnite na službo za pomoč strankam, ker takšno osvetlitev lahko zamenja samo pooblaščen osebje.



# TRANSPORT IN SPREMEMBA MESTA NAMESTITVE

## Transport in sprememba mesta namestitve

- Po potrebi lahko originalno embalažo in stiropor (PS) shranite.
- Med transportom je treba aparat pritrditi s širokim trakom ali močno vrvjo. Pri transportu je treba upoštevati navodila, napisana na škatli iz valovite lepenke.
- Pred transportom ali spremembo mesta namestitve iz aparata vzemite vse premične predmete (tj. police, predal za ohranjanje svežine ...) ali pa jih pritrdite s trakovi, da se ne poškodujejo.

**Hladilnik nosite v pokončnem položaju.**

# PREDEN POKLIČETE SERVISNO SLUŽBO

Če hladilnik ne deluje pravilno, gre lahko za manjši problem, zato preverite naslednje.

## **Aparat ne deluje,**

### **Preverite, ali:**

- je prišlo do izpada električne napetosti.
- omrežni vtič ni priključen pravilno ali je razmajan.
- je termostat nastavljen v položaj "∞".
- je vtičnica v okvari. To preverite tako, da v isto vtičnico priključite drugo napravo, za katero veste, da deluje.

## **Aparat deluje slabo,**

### **Preverite, ali:**

- ste aparat preobremenili.
- vrata niso pravilno zaprta.
- v kuhinjskem elementu ni dovolj prezračevalnih odprtih, kot navajajo navodila za namestitvev.

## **Če je slišen hrup:**

Hladilni plin, ki kroži po hladilniku, lahko povzroča rahel zvok (zvok mehurčkov), tudi kadar kompresor ne deluje. Ne skrbite, to je normalno. Če slišite drugačne zvoke, preverite, ali:

- je aparat postavljen trdno, kot opisujejo navodila za namestitvev.
- predmeti na aparatu vibrirajo.

## **Če je v spodnjem delu hladilnika voda,**

### **Preverite, ali:**

- ni zamašena odprtina za odtok vode (uporabite čep za odtočno odprtino in z njim očistite odtočno odprtino).

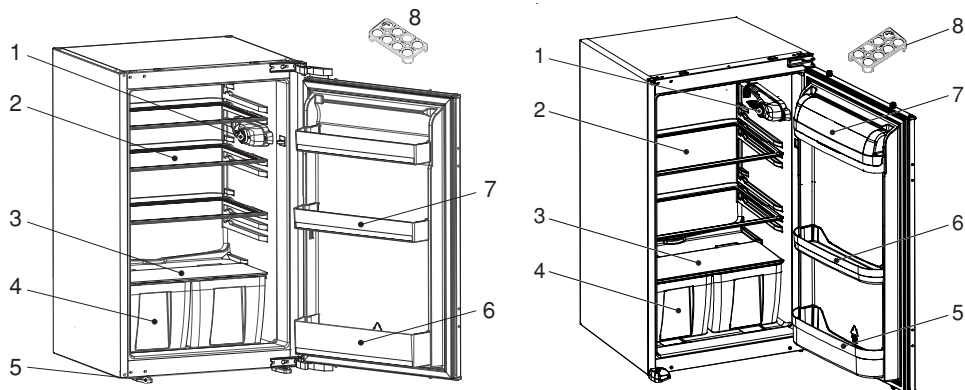
### **Priporočila**

- Če ni električne energije, odklopite vtič iz vtičnice, da preprečite poškodbe kompresorja. Ko se električna energija vrne, počakajte 5–10 minut in nato priključite vtič.
- Če iz kakršnega koli razloga izvlečete vtič iz vtičnice, pred ponovno priključitvijo počakajte najmanj pet minut. S tem boste preprečili poškodbe komponent hladilnika.
- Hladilna enota vašega hladilnika je skrita na zadnji strani aparata. Zato se zaradi delovanja kompresorja v navedenih intervalih na zadnji strani vašega hladilnika lahko pojavijo kapljice vode ali led. To je normalno, odmrzovanje ni potrebno, razen če je ledu veliko.
- Če hladilnika dlje časa ne boste uporabljali (npr. med poletnimi počitnicami), termostat zasukajte v položaj «•». Po odmrzovanju hladilnik očistite in pustite vrata odprta, da ne nastaja vlaga in neprijetne vonjave.
- Če težava ne izgine, tudi ko ste upoštevali vsa navodila zgoraj, se obrnite na najbližji pooblaščen servisni center.
- Aparat, ki ste ga kupili, je namenjen za domačo uporabo in ga lahko uporabljate samo za gospodinjstvo in za navedene namene. Ni primeren za komercialno ali skupno uporabo. Če potrošnik aparat uporablja na način, ki se ne sklada s tem, poudarjamo, da proizvajalec in prodajalec ne odgovarjata za morebitna popravila ali okvare v garancijski dobi.

### **Nasveti za varčevanje z energijo**

1. Aparat namestite v hladen, dobro prezračevan prostor, kjer ni izpostavljen neposredni sončni svetlobi in ni v bližini izvora toplote (radiatorja, štedilnika itd.). V nasprotnem primeru uporabite izolacijsko ploščo.
2. Topla hrana in pijača naj se ohladita zunaj aparata.
3. Pijače in druge tekočine pokrijte, ko jih postavite v aparat. Sicer se v aparatu poveča stopnja vlage. Zato aparat deluje dlje časa. Pokrivanje pijač in drugih tekočin poleg tega pomaga ohraniti vonj in okus.
4. Poskusite preprečiti, da bi bila vrata odprta dlje časa ali da bi se vrata prepogosto odpirala, ker bo v hladilnik tako prišel topel zrak, zaradi česar se bo kompresor vklapljal preveč pogosto.
5. Pokrovi predalov z različnimi temperaturami (predal za ohranjanje svežine, zamrzovalnik itd.) naj bodo vedno zaprti.
6. Tesnilo na vratih mora biti čisto in prožno. Če so tesnila obrabljena, jih zamenjajte.

# DELI APARATA IN PREDALI



Ta predstavitev je samo informacija o različnih delih aparata.  
Deli se lahko razlikujejo odvisno od modela aparata.

1. Gumb termostata
2. Police hladilnika
3. Pokrov predala za ohranjanje svežine
4. Predali za ohranjanje svežine
5. Leva in desna noga
6. Polica za steklenice
7. Police v vratih
8. Držalo za jajca

1. Gumb termostata
2. Police hladilnika
3. Pokrov predala za ohranjanje svežine
4. Predali za ohranjanje svežine
5. Polica za steklenice
6. Police v vratih
7. Pokrov poličke za maslo \*
8. Držalo za jajca

\* V nekaterih modelih

## Navodila za namestitev in sprememba smeri odpiranja vrat pri izvedbah s tečaji z vodili

! Priporočljivo je, da namestitev izvede pooblaščen tehnično osebje

! Pred namestitvijo pozorno preberite navodila.

! Hladilnik/zamrzovalnik nameščajte samo v stabilne kuhinjske elemente.

! Dimenzije omarice se spremenijo glede na material **obrobe**<sup>1</sup>.

1. Če je material obrobe<sup>1</sup> plastika, poiščite dimenzije omarice v (Tabeli.1/B1).

2. Če je material obrobe<sup>1</sup> kovina, poiščite dimenzije omarice v (Tabeli.1/B2).

! Če je treba, spremenite smer odpiranja vrat v skladu z navodili.

1. Glejte sl. A za potrebne komponente za pritrditev.

2. **Obrobo**<sup>1</sup> vstavite v režo in jo privijte z **vijaki**<sup>6</sup>. (sl. D)

3. Priključni kabel speljite skozi prezračevalno odprtino in ga namestite tako, da bo aparat po namestitvi preprosto priključiti. (sl. B - sl. C)

4. Odstranite **tesnilo**<sup>4</sup>, ki je nameščeno na stranski plošči aparata, in ga nalepite na obratno stran tečajev vrat aparata. (sl. D - sl. E)

5. Aparat dvignite in ga potisnite v kuhinjski element.

6. Aparat potisnite do zadnje strani tečajev vrat in poskrbite, da **tesnilo**<sup>2</sup> pokriva prostor med aparatom in kuhinjskim elementom.

7. Sprednje noge poravnajte s sprednjo ploščo kuhinjskega elementa. (sl. F)

8. Sprednje noge privijte s pomočjo **vijakov**<sup>5</sup>. (sl. F)

9. **Obrobo**<sup>1</sup> privijte na kuhinjski element s pomočjo **vijakov**<sup>5</sup>. (sl. G)

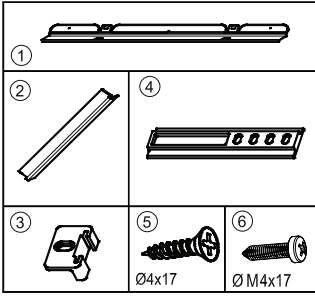
10. **Vodila**<sup>3</sup> privijte na vrata aparata z **vijaki**<sup>6</sup>. (sl. H)

11. Vrata aparata prislonite na vrata elementa, ko so odprta pod pravim kotom.

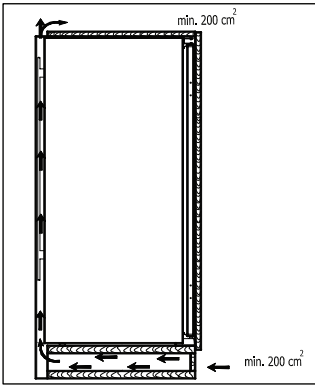
12. Tirnice<sup>4</sup> potisnite v **vodila**<sup>3</sup> in pri tem poravnajte utor. (sl. H)

13. **Tirnice**<sup>4</sup> privijte na vrata aparata z **vijaki**<sup>5</sup>. (sl. H)

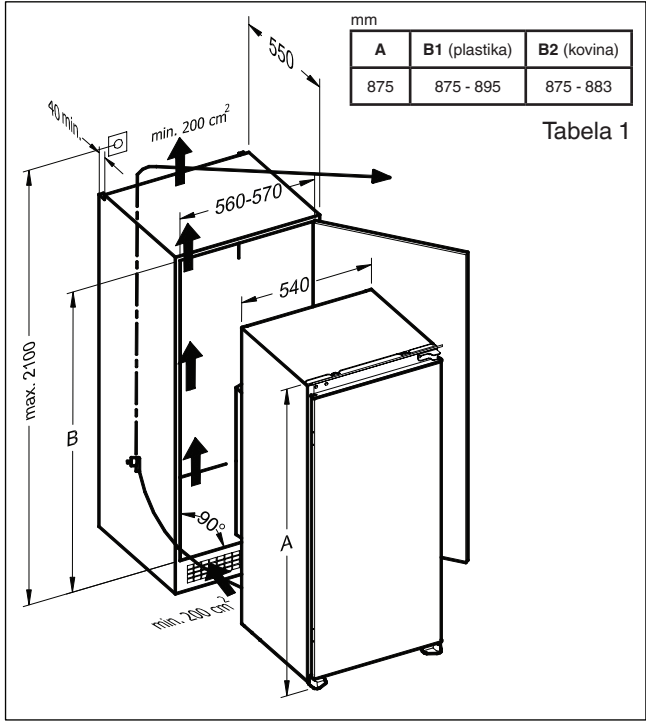
14. Nastavitev razmik 1~2 mm med elementom in vrati elementa na strani, kjer je ročaj, tako da nastavite **vodila**<sup>3</sup>. To je bistveno za delovanje aparata. (sl. H)



Slika A



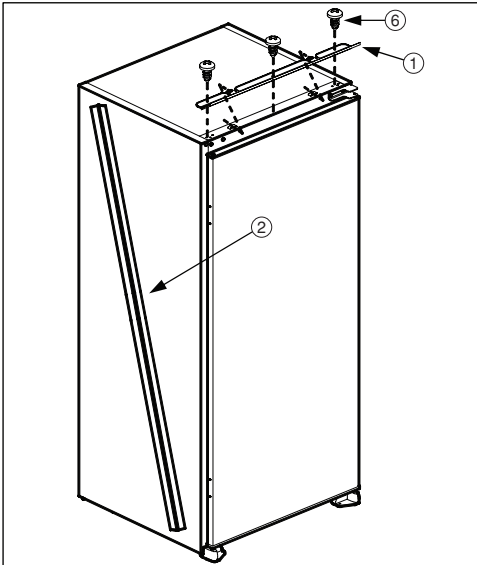
Slika B



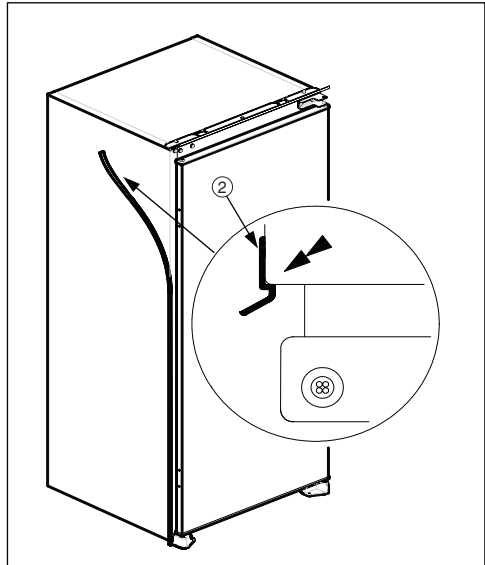
mm		
A	B1 (plastika)	B2 (kovina)
875	875 - 895	875 - 883

Tabela 1

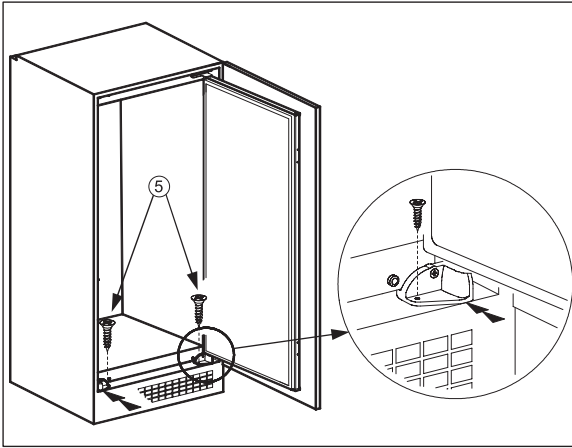
Slika C



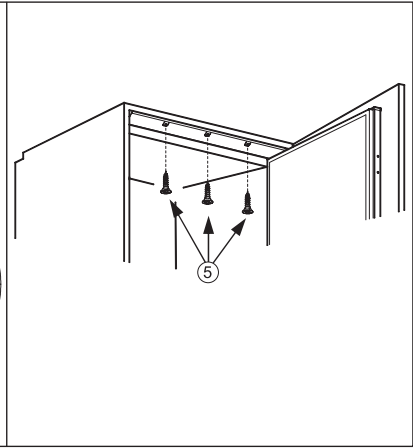
Slika D



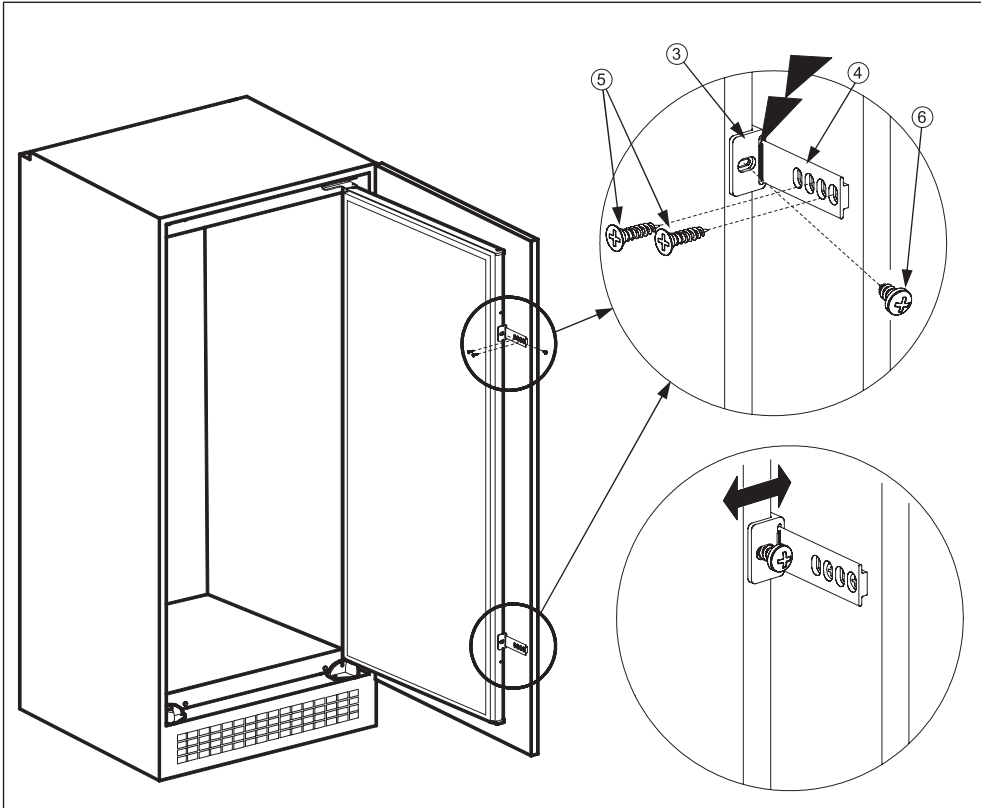
Slika E



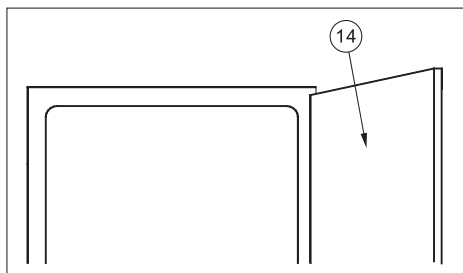
Slika F



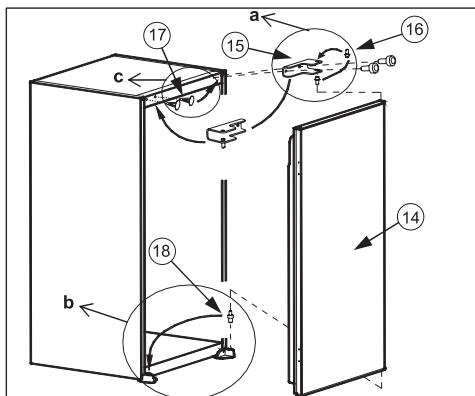
Slika G



Slika H



Slika J



Slika K

### Sprememba smeri odpiranja vrat

1. Odprite vrata aparata<sup>14</sup>. (sl. J)
2. Razstavite tečaj vrat<sup>15</sup> in vrata hladilnika<sup>14</sup> postavite na varno mesto. (sl. K)
3. Odvijte zatič tečaja vrat<sup>16</sup> in ga trdno privijte na nasprotno stran aparata. (sl. K.a)
4. Spodnji zatič vrat<sup>18</sup> premaknite na nasprotno stran. (sl. K.b)
5. Čepe za zapiranje lukenj<sup>17</sup> premaknite na nasprotno stran. (sl. K.c)
6. Vrata hladilnika<sup>14</sup> postavite na spodnji zatič vrat<sup>18</sup> in vstavite zatič tečaja vrat<sup>16</sup> v luknjo tečaja na vratih hladilnika<sup>14</sup>, nato pa tečaj vrat<sup>15</sup> trdno privijte na nasprotno stran od prvotnega položaja. (sl. K)

## Navodila za namestitev za aparate s tečaji Hettich

! Priporočljivo je, da to namestitev izvede pooblaščen tehnično osebje.

! Pred namestitvijo pozorno preberite navodila.

! Hladilnik/zamrzovalnik nameščajte samo v stabilne kuhinjske elemente.

! Dimenzije omarice se spremenijo glede na material **obrobe**<sup>1</sup>.

1. Če je material obrobe<sup>(1)</sup> **plastika**, poiščite dimenzije omarice v (Tabeli.1/B1).

2. Če je material obrobe<sup>(1)</sup> **kovina**, poiščite dimenzije omarice v (Tabeli.1/B2).

! Če je treba, spremenite smer odpiranja vrat v skladu z navodili.

1. Glejte sl. A za potrebne komponente za pritrditev.

2. Odprite embalažo. **Vzemite distančnik tesnila**<sup>(9)</sup> in ga prelomite na tri dele, kot kaže slika D. Srednji del je **tirnica za obešenje vrat**<sup>(10)</sup>. Druga dva dela sta **distančnika vrat aparata**<sup>(11)</sup>. (sl. D)

3. Vstavite **obrobo**<sup>(1)</sup> v utor in jo privijte z **vijaki**<sup>(6)</sup>. (sl. E)

4. Priključni kabel speljite skozi prezračevalno odprtino in ga namestite tako, da bo aparat po namestitvi preprosto priključiti. (sl. B - sl. C)

5. **Obrobo**<sup>(4)</sup> odrežite do višine vdolbine in jo nalepite na zadnjo stran tečajev vrat aparata. (sl. E)

6. Aparat dvignite in ga potisnite v kuhinjski element.

7. Aparat naslonite na kuhinjski element skozi tečaje in poravnajte sprednje noge s sprednjo ploščo kuhinjskega elementa. (sl. F)

8. Odprite vrata aparata in privijte sprednje noge s pomočjo **vijakov**<sup>(7)</sup>. (sl. G)

9. **Obrobo**<sup>(1)</sup> privijte na kuhinjski elementi z **vijaki**<sup>(7)</sup>. (sl. G)

10. Tečaje privijte na kuhinjski element z **vijaki**<sup>(7)</sup>. (sl. G)

11. Zaprite vrata aparata. Odvijte in odstranite **matice**<sup>(14)</sup>, **podložke**<sup>(13)</sup> in **nastavitvene vijake**<sup>(12)</sup> iz vrat aparata. (sl. H)

12. Odstranite papir z lepljivega dela na **tirnicah za obešenje vrat**<sup>(10)</sup>. **Tirnice za obešenje vrat**<sup>(10)</sup> namestite na vrata aparata tako, da zatiče vstavite v luknje na vratih aparata, pri tem pa poravnate sprednje ploskve **tirnic za obešenje vrat**<sup>(10)</sup> in vrata aparata tako, da so vzporedni. **Tirnice za obešenje vrat**<sup>(10)</sup> pustite, da se nalepijo na vrata aparata. (sl. H)

13. **Obešalo vrat**<sup>(2)</sup> vstavite v **tirnice za obešenje**<sup>(10)</sup>. (sl. J - sl. K)

14. Odstranite papir z lepljivega dela na sprednji strani **obešala vrat**<sup>(2)</sup>.

15. Odstranite papir z lepljivega dela na distančnikih vrat omarice<sup>(11)</sup> in jih prilepite na vrata omarice<sup>(15)</sup> v bližini zgornjih vogalov. (sl. K)

16. **Vrata omarice**<sup>(15)</sup> naslonite na **obešalo vrat**<sup>(2)</sup> in pri tem poravnajte **distančnike vrat omarice**<sup>(11)</sup> na levem, desnem in zgornjem robu s stranicami omarice ali vrati sosednjih in zgornjih kuhinjskih elementov. (sl. K)

17. Pazite na to, da se **vrata omarice**<sup>(15)</sup> prilepijo na **obešalo vrat**<sup>(2)</sup>. Potegnite za **vrata omarice**<sup>(15)</sup> tako, da **obešalo vrat**<sup>(2)</sup> zdrсне iz **tirnic za obešenje**<sup>(10)</sup>. Pazite na to, da **obešalo vrat**<sup>(2)</sup> ostane pritrjeno na **vrata omarice**<sup>(15)</sup>. (sl. L)

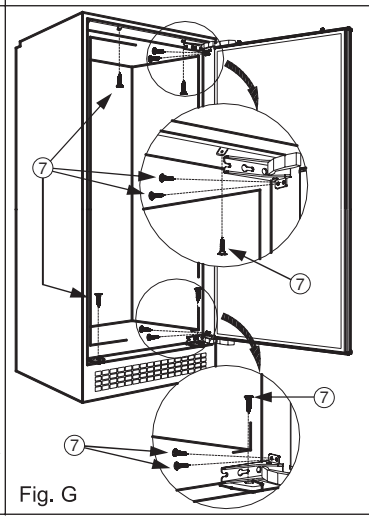
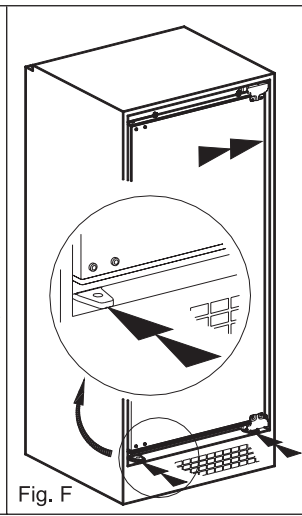
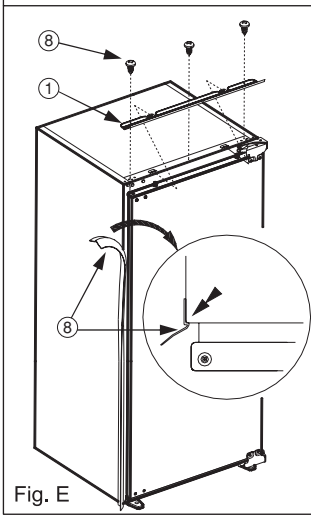
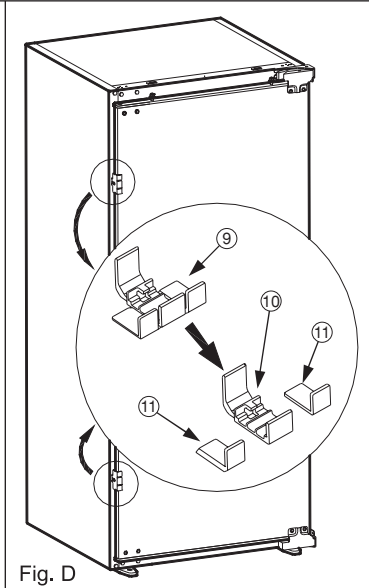
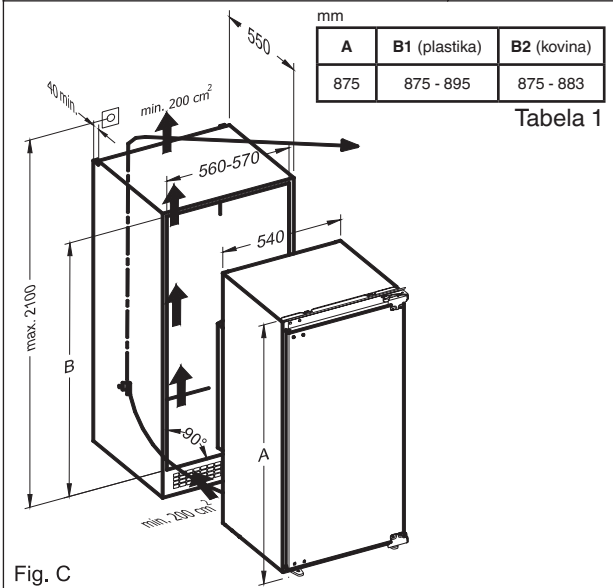
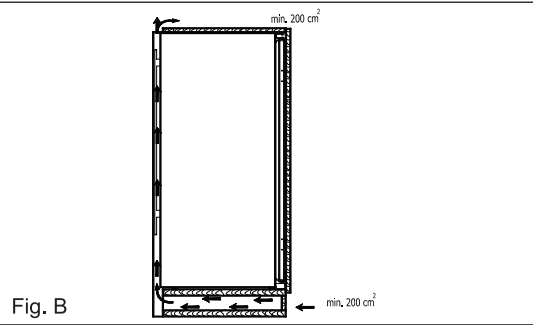
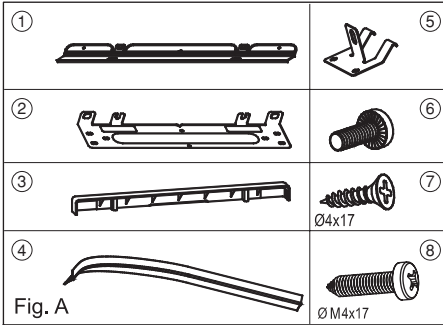
18. **Vrata omarice**<sup>(15)</sup> položite na tla in privijte **obešalo vrat**<sup>(2)</sup> na **vrata omarice**<sup>(15)</sup> z **vijaki**<sup>(7)</sup>. (sl. L)

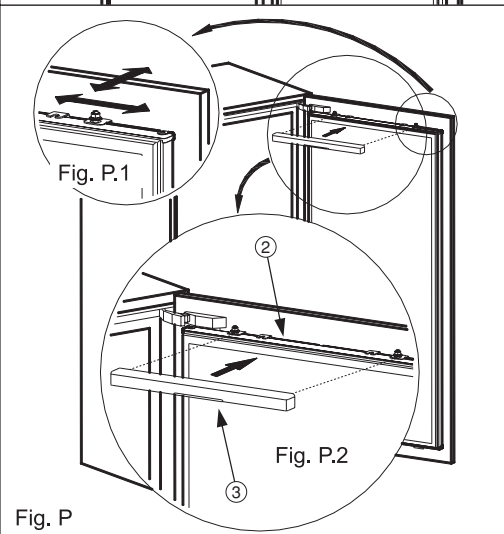
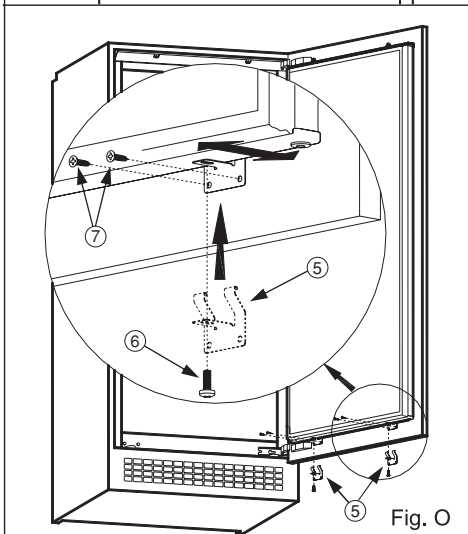
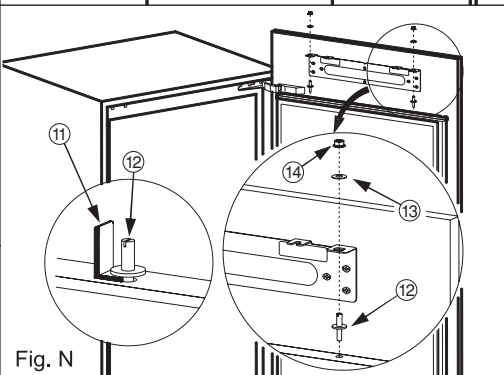
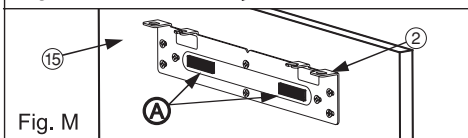
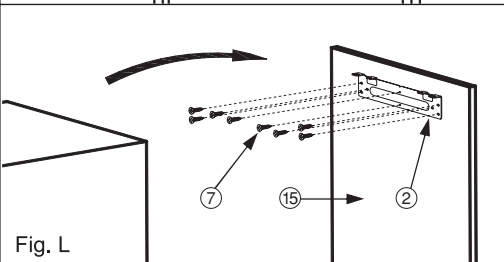
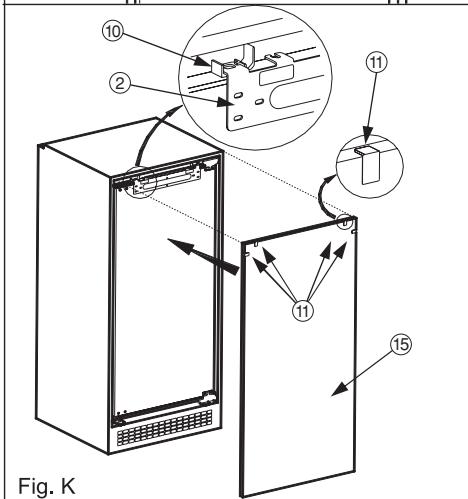
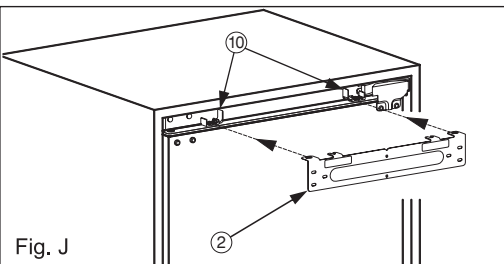
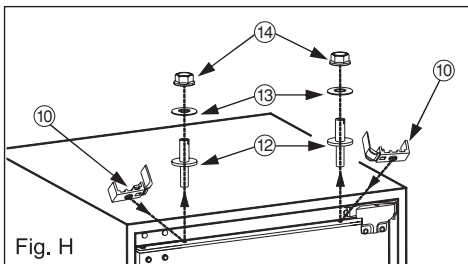
19. Za korekcijo nepravilnosti v pohištvu so namenjeni **plastični distančniki**<sup>(A)</sup>, ki so naleplje-



ni na **obešalo vrat**<sup>(2)</sup>. Odstranite te **plastične distančnike**<sup>(A)</sup>. (sl. M)

20. Odstranite **tirnice za obešenje vrat**<sup>(10)</sup> z vrat aparata. **Nastavitvene vijake**<sup>(12)</sup> privijte v luknje na vratih aparata tako, da pustite potrebni prostor s pomočjo **distančnikov za vrata omarice**<sup>(11)</sup>. (sl. N)
21. Odprite vrata aparata. **Vrata omarice**<sup>(15)</sup> namestite na vrata aparata tako, da nastavitvene vijake (12) vstavite v utore na **obešalu vrat**<sup>(2)</sup>. (sl. N)
22. Namestite podložke<sup>(13)</sup> in privijte **matice**<sup>(14)</sup> na **nastavitvene vijake**<sup>(12)</sup>. (sl. N)
23. Vrzal 1~2 mm med omarico in vratci omarice je bistvena za delovanje aparata. Zaprite vrata in opravite natančno nastavitvev **vrat omarice**<sup>(15)</sup> tako, da privijete ali odvijete **nastavitvene vijake**<sup>(12)</sup> za navpično nastavitvev, za nastavitvev v ostalih smereh pa s pomočjo utorov na **obešalu vrat**<sup>(2)</sup>. (sl. P1)
24. **Pritrdilne elemente spodnjega dela vrat**<sup>(5)</sup> namestite na dno vrat aparata med vrata aparata in **vrata omarice**<sup>(15)</sup>. **Pritrdilne elemente spodnjega dela vrat**<sup>(5)</sup> z **vijaki**<sup>(6)</sup> privijte na vrata aparata. (sl. O)
25. **Pritrdilne elemente spodnjega dela vrat**<sup>(5)</sup> privijte na **vrata omarice**<sup>(15)</sup> z **vijaki**<sup>(7)</sup>. (sl. O)
26. Za nastavitvev prostora med zgornjimi **vrat**<sup>(15)</sup> omarice in omarico samo lahko odvijete **vijake**<sup>(6)</sup> in nato nastavite razmik med **zgornjimi vrati aparata**<sup>(19)</sup> in **zgornjimi vrati omarice**<sup>(15)</sup> s pomočjo vzmetnega učinka **pritrdilnih elementov spodnjega dela vrat**<sup>(5)</sup>, hkrati pa privijte **vijake**<sup>(6)</sup>.
27. **Pokrivalo obešala**<sup>(3)</sup> namestite na **obešalo vrat**<sup>(2)</sup>. (sl. P2)





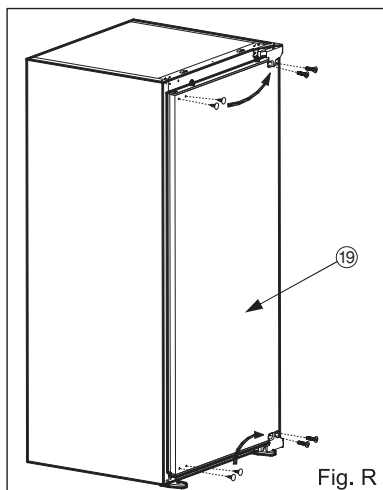


Fig. R

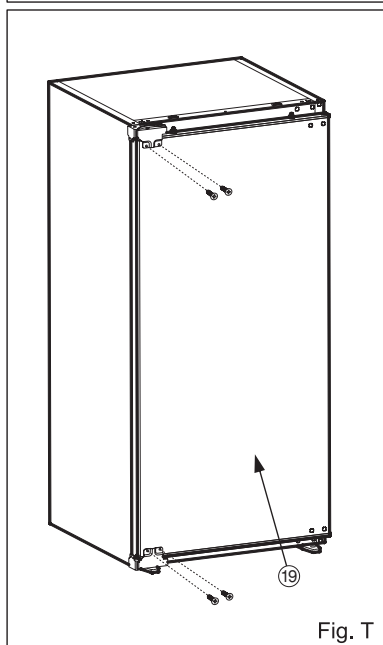


Fig. T

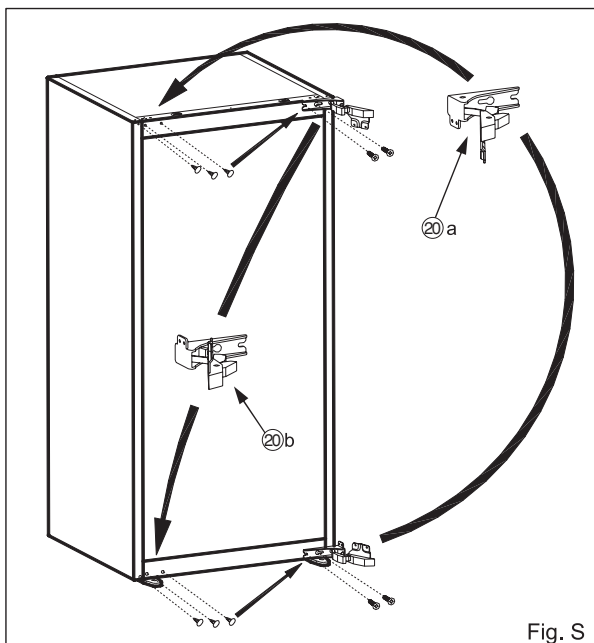


Fig. S

### Sprememba smeri odpiranja vrat

! Pazite na to, da si v tečajih ne priščipnete prstov (zgornji tečaj vrat<sup>(20-a)</sup> in spodnji tečaj vrat<sup>(20-b)</sup>).

1. Odprite vrata aparata<sup>(19)</sup>. (sl. P)
2. Odvijte vijake na sprednji plošči vrat aparata<sup>(19)</sup>. Vrata aparata<sup>(19)</sup> postavite na varen kraj. (sl. S)
3. Čepe za luknje na sprednji plošči vrat aparata<sup>(19)</sup> premaknite na nasprotno stran. (sl. S)
4. Odprite zgornji tečaj vrat<sup>(20-a)</sup> in spodnji tečaj vrat<sup>(20-b)</sup>. (sl. S) in jih demontirajte. (sl. T)
5. Čepe za luknje premaknite na nasprotno stran. (sl. T)
6. Zgornji tečaj vrat<sup>(20-a)</sup> in spodnji tečaj vrat<sup>(20-b)</sup> montirajte na nasprotna vogala glede na prvotni položaj. (sl. T)

## ČASŤ - 1. SKÔR NEŽ POUŽIJETE SPOTREBIČ

### Všeobecné upozornenia

**!** **VAROVANIE:** Vetracie otvory, v spotrebiči alebo vo vstavanej konštrukcii, udržiajte bez prekážok.

**!** **VAROVANIE:** Nepoužívajte mechanické zariadenia ani iné spôsoby na urýchlenie odmrazovania iné ako tie, ktoré odporúča výrobca.

**!** **VAROVANIE:** V priestore na potraviny nepoužívajte elektrické spotrebiče, ak nejde o typ odporúčaný výrobcom.

**!** **VAROVANIE:** Nepoškodíte chladiaci okruh.

**!** **VAROVANIE:** Pri umiestňovaní spotrebiča sa uistite, že napájací kábel nie je zachytený alebo poškodený.

**!** **VAROVANIE:** K zadnej strane spotrebiča neumiestňujte prenosné rozvodky alebo prenosné zdroje napätia.

**!** **VAROVANIE:** Aby ste predišli nebezpečenstvu spôsobenému nestabilitou spotrebiča, je potrebné ho upevniť podľa pokynov.

**!** Ak váš spotrebič ako chladivo používa R600 - túto informáciu zistíte zo štítku na chladničke - musíte dávať pozor počas prepravy a inštalácie, aby ste predišli poškodeniu prvkov chladničky. Aj napriek tomu, že R600a je prírodný plyn šetrný na životné prostredie, tak z dôvodu, že je výbušný, treba v prípade výskytu úniku spôsobeného poškodením prvkov chladiča odniesť chladničku od otvoreného plameňa alebo zdrojov tepla a nechať niekoľko minút vetrať miestnosť, v ktorej sa spotrebič nachádza.

- Počas prenášania a umiestnenia chladničky dávajte pozor, aby ste nepoškodili okruh chladiaceho plynu.
- V tomto spotrebiči neskladujte výbušné látky, napr. plechovky s aerosólom.
- Tento spotrebič je určený na použitie v domácnostiach a podobných zariadeniach, napr.

- vybavenie kuchýň v obchodoch, kanceláriách a iných pracovných prostrediach.
  - na farmách a v hoteloch, moteloch a iných obytných prostrediach
  - zariadeniach typ bed and breakfast,
  - v cateringu a podobnom prostredí
- Ak sa zástrčka chladničky nezmestí do zásuvky, musí byť vymenená výrobcom, servisným technikom alebo kvalifikovanými osobami, aby sa predišlo zraneniu.
  - Špeciálne uzemnená zástrčka musí byť pripojená k napájaciemu káblu vašej chladničky. Táto zástrčka musí byť použitá so špeciálne uzemnenú zásuvkou o 16 amp. V prípade, že doma takú zástrčku nemáte, nechajte ju nainštalovať autorizovaným elektrikárom.
  - Tento spotrebič môžu používať deti od 8 rokov a staršie a osoby s obmedzenými fyzickými, zmyslovými alebo mentálnymi schopnosťami alebo s nedostatkom skúseností a znalostí, ak sa na ne bude dohliadať alebo sa im poskytnú pokyny o používaní spotrebiča bezpečným spôsobom a pochopia príslušné nebezpečenstvá. Deti sa nesmú hrať so spotrebičom. Deti bez dozoru nesmú vykonávať čistenie ani používateľskú údržbu.
  - Deti vo veku od 3 do 8 rokov smie nakladať a vykladať chladiace spotrebiče. Deti nemajú vykonávať údržbu alebo čistenie spotrebiča, veľmi malé deti (0 – 3 rokov) nemajú používať spotrebič, malé deti (3 – 8 rokov) nemajú používať spotrebič, ak sú bez stáleho dozoru, staršie deti (8 – 14 rokov) a ľudia s obmedzenými fyzickými alebo duševnými schopnosťami môžu používať spotrebiče bezpečne, ak sú pod dozorom alebo boli o bezpečnom použití spotrebiča náležite poučení. Ľudia s veľmi obmedzenými schopnosťami nemajú používať spotrebič, kým nie sú pod stálym dozorom.
  - Ak je napájací kábel poškodený, výrobca, jeho servisné

stredisko alebo iná náležite kvalifikovaná osoba ho musí vymeniť, aby nemohlo dôjsť k ublíženiu na zdraví.

- Tento spotrebič nie je určený na použitie v nadmorských výškach nad 2000 m.

### **Aby nedošlo ku kontaminácii jedla, dodržujte prosím nasledujúce pokyny:**

- Ponechanie dvierok v otvorenom stave po dlhú dobu môže spôsobiť výrazný narástť teploty vnútri oddelenia spotrebiča.
- Pravidelne očisťujte povrchy, ktoré prichádzajú do kontaktu s jedlom, a tiež prístupné odtokové systémy.
- Surové mäso a ryby uchovávajte v chladničke vo vhodných kontajneroch, aby nedochádzalo k ich kontaktu s inými potravinami alebo kvapnutiu na ne.
- Oddelenie pre mrazené potraviny označené dvoma hviezdikami sú vhodné pre uchovávanie vopred zmrazených potravín, uchovávanie alebo výrobu zmrzliny a výrobu ľadových kociek.
- Oddelenie označené jednou, dvoma alebo tromi hviezdikami nie sú vhodné pre zmrazenie čerstvého jedla.
- Ak chladiace zariadenie je ponechané prázdne po dlhú dobu, je nutné ho vypnúť, rozmraziť, očistiť, osušiť a ponechať dvierka otvorené, aby ste zabránili tvorbe plesní vo vnútri spotrebiča.

## Staré a nefunkčné chladničky

- Ak je vaša stará chladnička vybavená zámkom, pred likvidáciou zámok odломte alebo odstráňte, nakoľko vo vnútri môžu uviaznuť deti a môže byť spôsobená nehoda.
- Staré chladničky a mrazničky obsahujú izolačné materiály a chladivá s CFC. Preto dávajte pozor, aby pri likvidácii vašej starej chladničky nedošlo k poškodeniu životného prostredia.

Symbol na výrobku alebo na jeho obale znamená, že s výrobkom sa nesmie zaobchádzať ako s domovým odpadom. Namiesto toho ho treba odovzdať v zbernom stredisku na recykláciu elektrických alebo elektronických zariadení. Zabezpečte, že tento výrobok bude zlikvidovaný správnym postupom, aby ste predišli negatívnym vplyvom na životné prostredie a ľudské zdravie, čo by bolo spôsobené nesprávnym postupom pri jeho likvidácii. Podrobnejšie informácie o recyklácii tohto výrobku získate, ak zavoláte miestny úrad vo Vašom bydlisku, zberné suroviny alebo obchod, v ktorom ste výrobok kúpili.

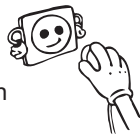


### Poznámky:

- Pred inštaláciou a použitím spotrebiča si starostlivo prečítajte návod na obsluhu. **Nenesieme zodpovednosť za škody vzniknuté v dôsledku nesprávneho použitia.**
- Dodržujte všetky pokyny na vašom zariadení a návod na obsluhu a uschovajte túto príručku na bezpečnom mieste, aby ste mohli vyriešiť problémy, ktoré môžu nastať v budúcnosti.
- Tento spotrebič je vyrobený pre použitie v domácnostiach a môže byť používaný iba v domácom prostredí a pre stanovené účely. Nie je vhodný pre komerčné alebo spoločné použitie. Takéto použitie môže spôsobiť stratu záruky spotrebiča, a naša spoločnosť nenesie zodpovednosť za takto vzniknuté straty.
- Tento spotrebič je vyrobený pre použitie v domoch a je vhodný iba pre chladenie / skladovanie potravín. Nie je vhodný pre komerčné alebo spoločné použitie a / alebo skladovanie látok okrem potravín. Naša spoločnosť nenesie zodpovednosť za straty, ktoré dôjdu v opačnom prípade.

## Bezpečnostné upozornenia

- Nepoužívajte viac objímok alebo predlžovacích káblov.
- Zariadenie nezapájajte do poškodených, zničených alebo starých zásuviek.
- Neťahajte, neohýbajte alebo nepoškodzuje elektrický kábel.



- Tento spotrebič je určený pre dospelých, nedovoľte deťom hrať sa so spotrebičom alebo nenechajte ich visieť na dverách.





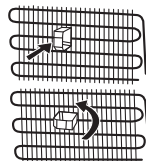
- Nepripájajte alebo odpájajte zástrčku zo zásuvky mokrými rukami, aby ste tým zabránili úrazu elektrickým prúdom!
- Nekladte výbušné alebo horľavé materiály do chladničky v záujme vašej bezpečnosti. Umiestnite nápoje s vyšším obsahom alkoholu vertikálne a riadne uzavreté do časti chladničky.
- Nezakrývajte telo alebo vrch chladničky tkaninami. Ovplyvní to účinnosť vašej chladničky.
- Príslušenstvo v chladničke počas prepravy upevnite, aby ste zabránili poškodeniu príslušenstva.



## Inštalácia a prevádzka Vašej chladničky

*Pred začatím používania chladničky, by ste mali venovať pozornosť nasledujúcim bodom:*

- Prevádzkové napätie pre chladničku je 220-240 V pri frekvencii 50 Hz.
- Nepreberáme zodpovednosť za škody, ktoré vzniknú v dôsledku neuzemneného použitia.
- Umiestnite chladničku na miesto, ktoré nie je vystavené priamemu slnečnému žiareniu.
- Váš spotrebič musí byť aspoň 50 cm od pecí, plynových kachlí, a výmenníkov tepla, a mal by byť vo vzdialenosti aspoň 5 cm od elektrického sporáku.
- Vaša chladnička by nikdy nemala byť použitá vonku alebo ponechaná v daždi.
- Ak je vaša chladnička umiestnená vedľa mrazničky, mala by byť medzi nimi aspoň 2 cm medzera, aby sa zabránilo vlhnutiu jej vonkajšieho povrchu.
- Nekladte nič na chladničku, a nainštalujte chladničku na vhodné miesto tak, aby na jej hornej strane bol k dispozícii priestor veľkosti aspoň 15 cm.
- Nastaviteľné predné nohy by mali byť nastavené aby bol spotrebič vyrovnaný a stabilný. Môžete nastaviť jeho nohy otáčaním v smere chodu hodinových ručičiek (alebo v opačnom smere). To by malo byť vykonané pred vložením potravín do chladničky.
- Pred použitím vašej chladničky, utrite všetky časti teplou vodou s prídavkom čajovej lyžičky sódy bikarbóny, a potom ju opláchnite čistou vodou a osušte. Umiestnite všetky diely po ich prečistení.
- Namontujte plastové rozpery (časť s čiernymi lopatkami na zadnej strane) otočením o 90° ako je zobrazené na obrázku, aby sa zabránilo dotyku chladiča o stenu.
- Chladnička by mala byť umiestnená pri stene s voľnou vzdialenosťou najviac 75 mm.



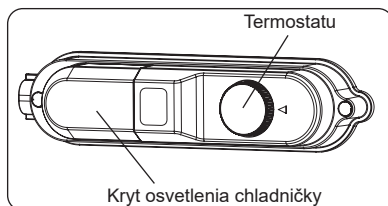
## Pred použitím Vašej chladničky

- Keď sa vaša chladnička uvádza do prevádzky po prvýkrát alebo po transporte, pre efektívne fungovanie udržiavajte vašu chladničku vo vzpriamenej polohe po dobu 3 hodín a následne ju pripojte. V opačnom prípade môže dôjsť k poškodeniu kompresora.
- Pri prvom spustení vašej chladničky môžete pocítiť zápach; zápach zanikne, ak sa chladnička ochladí.



## ČASŤ - 2. RÔZNE FUNKCIE A MOŽNOSTI

### Nastavenie termostatu



Monoklimatické chladničky nemajú mraziace oddelenie, ale môžu chládiť do 5°C.

- Termostat automaticky reguluje vnútornú teplotu chladiaceho oddelenia. Pri otáčaní gombíkom od pozície «1» do «5» možno dosiahnuť nižšiu teplotu.
- Pozícia «•» ukazuje, že termostat je vypnutý a preto nechladí.
- Pre krátkodobé uskladnenie potravín v chladiacom priestore môžete nastaviť gombík termostatu medzi minimum a strednú pozíciu (1-3).
- Pre dlhodobé uskladnenie potravín v chladiacom oddelení môžete nastaviť gombík termostatu do strednej pozície (3-4).

### Upozornenia pri nastaveniach teploty

- Vaše nastavenia teploty sa pri prerušení elektrickej energie nevymažú.
- Pred dokončením nastavenia neprechádzajte na iné nastavenie.
- Nastavenia teploty by sa mali vykonať podľa častosti otvárania dvierok, množstva potravín uchovávaných v chladničke a okolitej teploty okolo chladničky.
- Po zapojení môže byť vaša chladnička v nepretržitej prevádzke až 24 hodín, a to v závislosti od okolitej teploty, kým sa kompletne schladí.
- Počas tohto obdobia neotvárajte pravidelne dvere chladničky a nedávajte do nej nadmerné množstvo potravín.
- Použite sa funkcia 5 minútového oneskorenia, aby sa predišlo poškodeniu kompresora chladničky, keď odpojíte zástrčku a potom ju opätovne zapojíte, aby sa znova používala alebo v prípade prerušenia napájania. Vaša chladnička začne po 5 minútach normálne fungovať.
- Vaša chladnička je navrhnutá tak, aby fungovala pri intervaloch okolitej teploty uvedených v normách, a to v súlade s klimatickou triedou uvedenou na informačnom štítku. Neodporúčame prevádzku vašej chladničky mimo uvedených limitných hodnôt teploty s ohľadom na efektívnosť chladenia.

- Tento spotrebič je navrhnutý na použitie pri okolitej teplote v rozmedzí 10°C - 43°C.

### **Klimatická trieda a význam:**

**T (tropická):** Tento chladiaci spotrebič je určený na používanie pri teplote okolia v rozsahu od 16 °C do 43 °C.

**ST (subtropická):** Tento chladiaci spotrebič je určený na používanie pri teplote okolia v rozsahu od 16 °C do 38 °C.

**N (teplota):** Tento chladiaci spotrebič je určený na používanie pri teplote okolia v rozsahu od 16 °C do 32 °C.

**SN (rozšírená teplota):** Tento chladiaci spotrebič je určený na používanie pri teplote okolia v rozsahu od 10 °C do 32 °C.

## **ČASŤ - 3. ROZLOŽENIE POTRAVÍN V SPOTREBIČI**

### **Oddiel chladničky**

- Na zníženie vlhkosti a následného zvýšenia tvorby námrazy nikdy nedávajte kvapaliny do chladničky v neutesnených nádobách. Námraza sa obvykle koncentruje v najchladnejších častiach výparníka a časom bude potrebné častejšie rozmrazovanie.
- Do chladničky nikdy nedávajte teplé potraviny. Teplé jedlo alebo potraviny by ste mali nechať vychladnúť pri izbovej teplote a treba ich uložiť tak, aby sa zaistila adekvátna cirkulácia vzduchu v oddiele chladničky.
- Nič by sa nemalo dotýkať zadnej steny, pretože to spôsobí tvorbu námrazy a primrznutie balenia k zadnej stene. Neotvárajte dvere chladničky príliš často.
- Dajte mäso a rybu (zabalené v balení alebo v plastových vrecúškach), ktoré použijete do 1 – 2 dní, do dolnej časti oddielu chladničky (tzn. nad kontajnerom), keďže je to najchladnejšia časť a zaisťujú najlepšie podmienky skladovania.
- Ovocie a zeleninu môžete dať nezabalené do kontajnera.
- Za normálnych prevádzkových podmienok bude dostatočné upraviť nastavenie teploty chladničky na +4 °C.
- Teplota chladiaceho priestoru musí byť v rozmedzí 0 – 8 °C, čerstvé potraviny sa pri teplote nižšej ako 0 °C pokrývajú ľadom a pokazia sa, bakteriálne zaťaženie sa zvyšuje nad 8 °C a potraviny sa pokazia.
- Horúce potraviny nekladajte do chladničky ihneď, počkajte, kým teplota vyprchá. Horúce potraviny zvyšujú stupeň chladničky a spôsobia otravu jedlom a zbytočné pokazenie potravín.
- Mäso, ryby atď. sa musia uchovávať v chladiacom priestore na potraviny a priehradka na zeleninu sa uprednostňuje na zeleninu (ak je dostupná).
- Na zamedzenie krížovej kontaminácie neskladujte mäsové výrobky spolu s ovocím a zeleninou.
- Potraviny vkladajte do chladničky v uzavretých nádobách alebo zakryté, aby sa predišlo vlhkosti a zápachom.



**POZNÁMKA:** Najefektívnejšie využitie energie je zabezpečené pri umiestnení zásuviek v spodnej časti chladničky a rovnomernom umiestnení políc, zatiaľ čo pozície košíkov na dverkách chladničky spotrebu energie neovplyvňuje.



**Poznámka:** Zemiaky, cibule a cesnak by sa nemali uchovávať v chladničke.

Nižšie uvádzame niektoré návrhy o umiestnení a skladovaní potravín v priečniku chladničky.

Potraviny	Maximálny čas skladovania	Miesto umiestnenia v priečniku chladničky
Zelenina a ovocie	1 týždeň	Priehradka na zeleninu
Mäso a ryby	2 - 3 dni	Zabalené v plastovej fólii alebo vo vreckách, prípadne v nádobe na mäso (na sklenenej policičke)
Čerstvý syr	3 - 4 dni	V špeciálnej policičke vo dverách
Maslo a margarín	1 týždeň	V špeciálnej policičke vo dverách
Fľaškové produkty mlieko a jogurt	Až do dátumu spotreby odporúčaného výrobcom	V špeciálnej policičke vo dverách
Vajíčka	1 mesiac	V policičke na vajíčka
Varené potraviny	2 dni	Všetky policičky

## ČASŤ - 4. ČISTENIE A ÚDRŽBA

- Pred čistením odpojte spotrebič od zdroja elektrického prúdu.



- Nečistite spotrebič nalievaním vody.



- Oddelenie chladničky by malo byť čistené periodicky s použitím roztoku vlažnej vody a jedlej sódy.



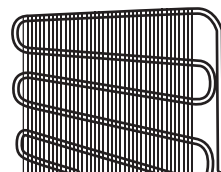
- Príslušenstvo čistite zvlášť. Pre čistenie nepoužívajte umývačku riadu.



- Nepoužívajte abrazívne prostriedky, saponáty alebo mydlá. Po umytí vypláchnite čistou vodou a starostlivo vysušte. Po vyčistení znovu zasuňte zástrčku spotrebiča suchými rukami do zdroja elektrickej energie.

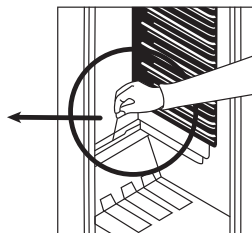
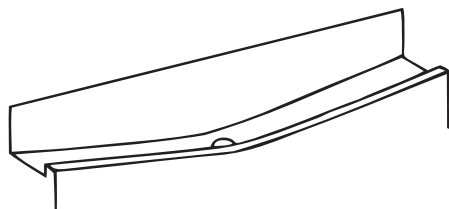


- Minimálne dvakrát do roka by ste mali očistiť kondenzátor pomocou zmetáku za účelom úspory energie a zvýšenia produktivity.



## Odleďovanie

### Odmrazovanie chladiaceho oddelenia;



- V chladiacom oddelení sa odmrazovanie uskutočňuje automaticky počas chodu spotrebiča, odmrazená voda sa zhromažďuje v odparovacej miske a automaticky vyparuje.
- výparník a otvor pre odvod vody z odmrazovania by mali byť periodicky čistené spolu so zátkou pre odtok vody z odmrazovania. Predídete nahromadeniu vody na dne chladničky namiesto jej odtoku.
- Do odvodňovacieho otvoru možno pre čistenie naliať ½ pohára vody

## Výmena žiarovky v chladničke

### Pri výmene žiarovky v chladničke:

1. Odpojte spotrebič od zdroja energie.
2. Stlačte háčiky na stranách hornej časti krytu a zložte kryt žiarovky.
3. Nahradte nefunkčnú žiarovku novou o výkone maximálne 15 W.
4. Nasadte kryt žiarovky a po 5 min pripojte zariadenie ku zdroju energie.

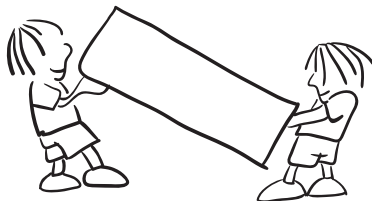
## Výmena osvetlenia LED

Ak má vaša chladnička s mrazničkou osvetlenie LED, obráťte sa na technickú podporu spoločnosti, pretože ho môže vymeniť iba autorizovaný personál.

## ČASŤ - 5. PREPRAVA A ZMENA POLOHY

### Preprava a zmena polohy

- Pôvodný obal a penový polystyrén (PS) uschovajte pre prípad potreby.
- Pri preprave by spotrebič mal byť zabezpečený širokou páskou alebo silným lanom. Je nevyhnutné dodržiavať inštrukcie uvedené na obale.
- Pred prepravou alebo zmenou polohy všetky pohyblivé predmety (t.j. police, nádoby na čerstvú zeleninu a ovocie...) vyberte alebo pripevnite páskou.



### Zmena smeru otvárania dverí *(Pri niektorých modeloch)*

V prípade, že potrebujete zmeniť smer otvárania dverí, prosím, poraďte sa so servisným technikom.

## ČASŤ - 6. SKÔR NEŽ ZAVOLÁTE SERVIS

Ak vaša chladnička správne nepracuje, môže ísť o menší problém, preto skôr, než zavoláte opravára, skontrolujte spotrebič podľa nasledovných inštrukcií:

### Čo robiť, keď váš spotrebič nefunguje

#### Skontrolujte, či:

- je v poriadku prívod elektrickej energie,
- nie je odpojený hlavný vypínač vo vašom dome,
- termostat nie je nastavený na polohu “•”,
- je v poriadku zásuvka. Pre kontrolu zapojte iné zariadenie, o ktorom viete, že funguje, do tej istej zásuvky.

### Čo robiť, ak je výkon vášho spotrebiča nízky

#### Skontrolujte, či:

- nie je zariadenie preťažené,
- dvere sú správne zatvorené,
- v kondenzátore nie je prach,
- je dost' miesta pri zadnej stene a bočných stenách.

### Ak sa vyskytuje hluk

Chladiaci plyn, ktorý cirkuluje v obvode chladničky, môže spôsobovať slabý hluk (bublajúci zvuk) dokonca v prípade, keď kompresor nepracuje. Neznepokojujte sa, je to celkom normálne. Ak tieto zvuky sú iné, skontrolujte, či:

- je spotrebič správne vycentrovaný,
- sa nedotýka zadná stena nejakého predmetu
- látka v spotrebiči vibruje.

## **Ak je v spodnej časti chladničky voda**

### **Skontrolujte, či:**

The drain hole for defrost water is not clogged(Use defrost drain plug to clean the drain hole) otvor na odtok rozmrazenej vody nie je upchatý (použite zátku na odtok rozmrazenej vody a vyčistíte otvor).

Chladnička je projektovaná pracovať pri ambienté teplotné intervaly, ktoré sú uvedené v štandardoch, podľa klimatickej triedy uvedenej do zoznamového poučení. Ne odporúča sa chladničku pracovať v prostredí, ktoré je mimo uvedenými teplotnými intervalami vzhľadom jeho pôsobivosti.

### **Odporúčania**

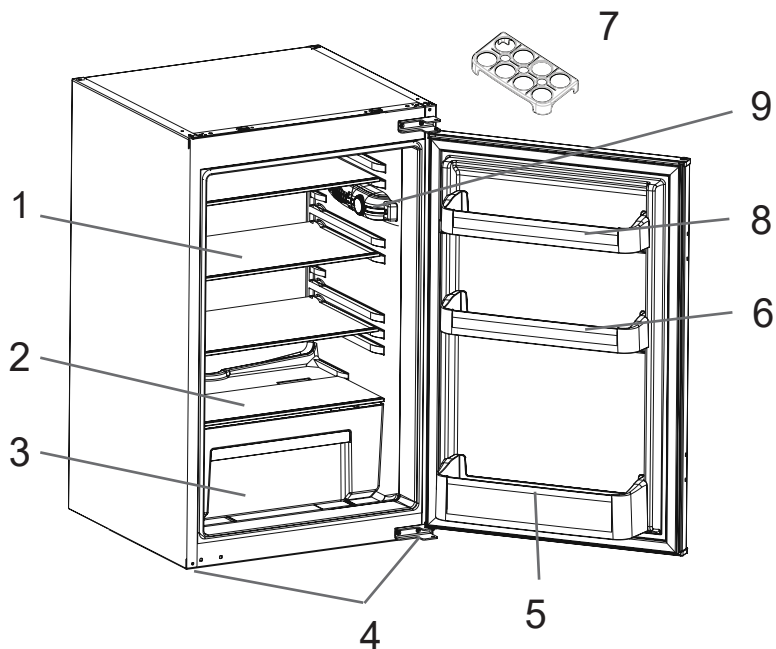
Ak spotrebič nie je v prevádzke dlhší čas (napríklad počas letnej dovolenky), otočte gombík termostatu do polohy "•". Chladničku treba odmraziť, vyčistiť a dvere nechať otvorené, aby ste zamedzili vzniku plesní a zápachu.

### **Tipy pre šetrenie energie**

- 1– Zariadenie nainštalujte v chladnej, dobre vetranej miestnosti, ale nie na priamom slnečnom svetle a nie v blízkosti tepelného zdroja (radiátor, sporák.. atď). Inak použite izolačnú dosku.
- 2– Umožnite, aby sa teplé potraviny a nápoje ochladili mimo zariadenia.
- 3– Keď sa tam umiestňujú nápoje a liehoviny, musia byť zakryté. Inak sa v zariadení zvýši vlhkosť. Preto sa pracovná doba predlži. Zakrývanie nápojov a liehovín pomáha zachovávať ich vôňu a chuť.
- 4– Pri umiestňovaní potravín a nápojov otvorte dvierka zariadenia tak rýchlo, ako je to možné.
- 5– Kryty ktoréhokoľvek teplotného oddelenia udržiavajte v zariadení (mrazák, chladič ...atď).
- 6– Tesnenie dvierok musí byť čisté a ohybné. V prípade opotrebovania ho vymeňte.

## ČASŤ - 7. ČASTI SPOTREBIČA A ODDELENIA

Tento spotrebič nie je určený na používanie ako vstavaný spotrebič.



Táto prezentácia slúži len pre informácie ohľadom dielov zariadenia.  
Diely sa môžu odlišovať v závislosti od modelu zariadenia.

- |                                 |                             |
|---------------------------------|-----------------------------|
| 1) Police chladničky            | 6) Horné policky vo dverách |
| 2) Prístupový panel             | 7) Držiak pre vajička       |
| 3) Nádoba pre ovocie a zeleniny | 8) Horné policky vo dverách |
| 4) Nastavovacie nožičky         | 9) Krabica termostatu       |
| 5) Polica pre fl'aše            |                             |

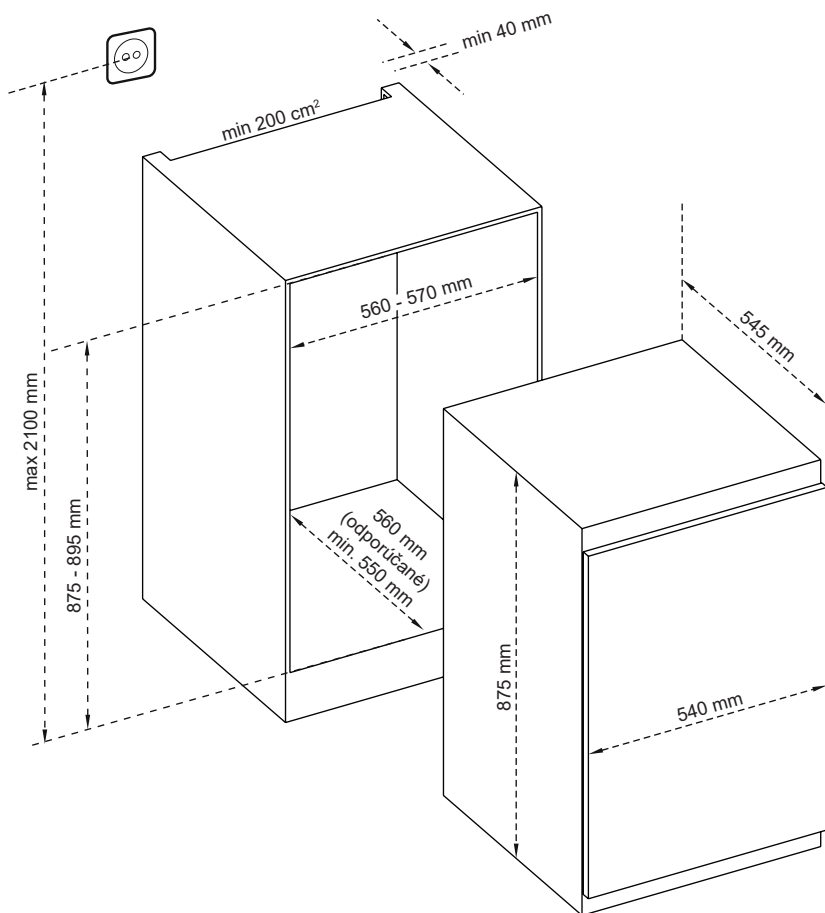
### Všeobecné poznámky

**Mraziaci priestor (Mrazičnica):** Najefektívnejšie využívanie energie je zabezpečené pri konfigurácii so zásuvkami a košmi v naloženej polohe.



# Rozmery

\* 875 - 883 pre kovový vrchný kryt



## **ČASŤ - 8. TECHNICKÉ ÚDAJE**

Technické informácie sa nachádzajú na výrobnom štítku na vnútornej strane spotrebiča a na energetickom štítku.

QR kód na energetickom štítku dodanom so spotrebičom poskytuje webový odkaz na informácie súvisiace s výkonom spotrebiča v databáze EU EPREL.

Energetický štítok si uchovajte na použitie spolu s používateľskou príručkou a všetkými ostatnými dokumentmi poskytovanými s týmto spotrebičom.

Tie isté informácie môžete zároveň nájsť v databáze EPREL pomocou odkazu <https://eprel.ec.europa.eu> a názvu modelu aj čísla výrobu, ktoré nájdete na výrobnom štítku spotrebiča.

Podrobnejšie informácie o energetickom štítku nájdete na odkaze [www.theenergylabel.eu](http://www.theenergylabel.eu).

## **ČASŤ - 9. INFORMÁCIE PRE SKÚŠOBNÉ INŠTITÚCIE**

Montáž a príprava spotrebiča na overenie ekodizajnu je v súlade s normou EN 62552. Požiadavky na ventiláciu, rozmery na zapustenie a minimálna zadná vôľa sa uvádzajú v tejto používateľskej príručke v ČASTI 1. V prípade akýchkoľvek ďalších informácií vrátane plánov naplnenia sa obráťte na výrobcu.

## **ČASŤ - 10. ZÁKAZNÍCKA STAROSTLIVOSŤ A SERVIS**

Získanie používateľských odporúčaní, brožúr, riešení problémov, informácií o servise a oprave:

[www.vestel.com](http://www.vestel.com)

## Általános figyelmeztetések

**FIGYELMEZTETÉS:** Mindig hagyja szabadon a készülék borításán vagy a beépített szerkezetben található szellőzőnyílásokat.

**FIGYELMEZTETÉS:** A gyártó által javasolt eszközökön kívül más mechanikus eszközöket ne használjon a fagyasztási folyamat felgyorsítására.

**FIGYELMEZTETÉS:** A gyártó által javasolt típusú készülékeken kívül más elektromos készüléket ne használjon a hűtőszekrény ételtároló rekeszeiben.

**FIGYELMEZTETÉS:** Ügyeljen arra, hogy a készülék hűtőköre ne sérüljön.

**FIGYELMEZTETÉS:** A készülék instabilitásából eredő veszélyek elkerülése érdekében rögzítse azt az utasításoknak megfelelően.

**FIGYELMEZTETÉS:** A készülék elhelyezésekor gondoskodjon róla, hogy a tápkábel ne akadjon be és ne sérüljön meg.

**FIGYELMEZTETÉS:** Ne helyezzen több csatlakozós hosszabbítót vagy hordozható áramforrást a készülék mögé.



Szimbólum ISO 7010 W021

**Figyelmeztetés:** Tűzveszélyes / gyúlékony anyagok

- Ha a készülék R600a hűtőközeget használ - erről a típustáblán tájékozódhat -, legyen óvatos a szállítás és a beszerelés során, hogy elkerülje a készülék hűtőelemeinek sérülését. Annak ellenére, hogy az R600a környezetbarát és természetes gáz. Mivel robbanásveszélyes, ha a hűtőelemek sérülése miatt szivárgást tapasztalna, távolítsa el a hűtőszekrényt nyílt láng illetve hőforrások közeléből és szellőztesse néhány percre a helyiséget, ahol a készülék található.

- Ügyeljen arra, hogy a hűtőszekrény szállítása és elhelyezése során ne sérüljön meg a hűtőgáz kör.
- Ne tároljon a készülékben robbanásveszélyes anyagokat, például gyúlékony hajtógázzal működő aeroszolokat.
- A készülék csak háztartási és hasonló környezetekben használható, például;
  - üzletek, irodák és munkahelyek dolgozóinak kialakított konyhák
  - tanyaházak, valamint hotelek, moteltek és egyéb lakókörnyezetek vendégei
  - panzió típusú környezetek;
  - ételmezési és hasonló nem kereskedelmi környezetek
- Ha a konnektor nem megfelelő a hűtőszekrény dugójához, azt a veszélyek elkerülése érdekében a gyártóval, szerviztechnikussal vagy hasonlóan képzett személlyel kell kicseréltetni.
- Akészüléket nem használhatják olyan személyek (beleértve a gyerekeket is), akik korlátozott fizikai, érzékelő, illetve szellemi képességekkel rendelkeznek, illetve hiányában vannak a megfelelő tapasztalatoknak és ismereteknek. Az ilyen személyek számára a készülék használata kapcsán biztosítani kell valamely, a biztonságukért felelős személy felügyeletét, illetve útmutatását. A gyerekeket mindig felügyelni kell és biztosítani kell, hogy ne játsszanak a készülékkel.
- A hűtőszekrény tápkábele speciális földelt dugóval van ellátva. A dugót 16 amperes földelt konnektorral kell használni. Ha nem rendelkezik ilyen konnektorral, hívjon szakembert és szereltesse be egyet.
- A 8 évnél idősebb gyerekek és azok a személyek, akik korlátozott fizikai, érzékelő és illetve szellemi képességekkel rendelkeznek, illetve hiányában vannak a megfelelő tapasztalatoknak és ismereteknek, csak

felügyelet mellett vagy a készülék használatára és az azzal járó veszélyekre vonatkozó utasítások ismeretében használhatják a készüléket. A gyerekek nem játszhatnak a készülékkel. A gyermekek felügyelet nélkül nem végezhetnek tisztítást és karbantartást.

- Ha a tápkábel megsérült, azt a veszélyek elkerülése érdekében a gyártóval, szerviztechnikussal vagy hasonlóan képzett személlyel kell kicseréltetni.
- A készülék 2000 métert meghaladó magasságon nem használható.

## Régi és hibás hűtőszekrények

- Ha a hűtőszekrény retesszel van ellátva, a leselejtezés előtt törje le vagy távolítsa el azt, mivel a gyerekek beszorulhatnak a készülék belsejébe, ami balesethez vezethet.



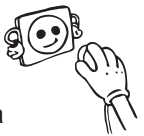
- A régi hűtőszekrények és fagyasztók CFC tartalmú szigetelőanyagot és hűtőközeget tartalmaznak. Ezért ügyeljen arra, hogy a régi hűtőszekrény leselejtezésekor ne károsítsa a környezetet.
- Az elektromos és elektronikus berendezések hulladékainak újrahasznosításától és leselejtezéséről érdeklődjön a helyi önkormányzatnál.

## Megjegyzések:

- A készülék telepítése és használata előtt figyelmesen olvassa el a használati útmutatót. A helytelen használatból eredő károkért nem vállalunk felelősséget.
- Tartson be a készüléken és a használati útmutatóban található minden utasítást, és őrizze meg az útmutatót a későbbiekre.
- A készülék otthoni használatra készült, és azt csak a házban, a meghatározott célokra szabad felhasználni. Kereskedelmi felhasználásra nem alkalmas. Az ilyen felhasználás érvényteleníti a garanciát és a vállalatunk nem vállal felelősséget a felmerülő károkért.
- A készüléket beltéri használatra terveztük és csak élelmiszerek hűtésére/tárolására használható, Nem alkalmas kereskedelmi felhasználásra és/vagy élelmiszereken kívül egyéb anyagok tárolására. A vállalatunk a fenti megkötések figyelmen kívül hagyásából eredő károkért nem vállal felelősséget.



## Biztonsági figyelmeztetések

- Ne használjon elosztót és hosszabbító kábelt.
- A sérült, elhasználdott vagy régi dugókat ne használja.
- Ügyeljen arra, hogy ne húzza, ne hajítsa meg és ne károsítsa a tápkábelt.
- Ne csavarja meg, illetve ne hajlítsa meg a kábelt, továbbá tartsa távol a forró felületektől.



- A beszerelés után győződjön meg arról, hogy a tápkábel nem szorult-e a készülék alá.
- A készüléket csak felnőttek használhatják. Ne engedje, hogy a gyerekek a hűtőszekrényrel játszanak vagy az ajtón lógnak.



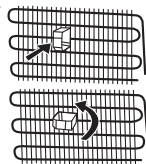
- Az áramütések elkerülése érdekében nedves kézzel soha ne dugja be vagy húzza ki a dugót.
- Soha ne tegyen üvegeket vagy fémdobozos üdítőket a fagyasztórekeszbe. Az üvegek és a dobozok felrobbanhatnak.
- Saját biztonsága érdekében soha ne tegyen robbanékony vagy gyúlékony anyagot a hűtőszekrénybe. A magas alkoholtartalmú italokat szorosan lezárva, függőlegesen tegye a hűtőrekeszbe.
- Amikor jeget vesz ki a fagyasztórekeszből, soha ne érjen hozzá a jéghez, mivel fagyási sérüléseket és/vagy vágásokat okozhat.
- Nedves kézzel soha ne fogja meg a fagyasztott termékeket! Ne fogyasszon közvetlenül a fagyasztórekeszből kivett fagyalaltot vagy jégkockát. 
- Felengedés után ne fagyassza vissza a fagyasztott árukat. Egészségügyi problémákat, például ételmérgezést okozhat.
- Ne tegyen szövetanyagot a hűtőszekrény tetejére. Ez befolyásolhatja a hűtőszekrény teljesítményét.
- Ne működtessen semmilyen elektromos készüléket a hűtőszekrény vagy a fagyasztó belsejében.
- A tartozékok sérülésének elkerülése érdekében szállításhoz rögzítse azokat a hűtőszekrény belsejében.
- Ha az ajtó a hűtőszekrény zárva, vákuum, pecsét fogja képezni. Várjon körülbelül 1 percet, mielőtt újra megnyitni. 

## A hűtőszekrény telepítése és használata

*A hűtőszekrény első használata előtt tanulmányozza át az alábbi pontokat:*

- A hűtőszekrény üzemi feszültsége 220-240 V 50 Hz-es frekvencián.
- A dugónak a beszerelés után elérhetőnek kell lennie.
- Az első bekapcsoláskor bizonyos szag fordulhat elő. Ez azonban megszűnik amint a készülék lehűl.
- A készülék csatlakoztatása előtt győződjön meg róla, hogy a gép adattábláján szereplő feszültség és az Ön otthonában rendelkezésre álló elektromos feszültség megegyezik egymással.
- Hatékony földeléssel illesse a csatlakozót a dugaszolóaljzatba. Amennyiben a dugaszolóaljzat nem földelt vagy a csatlakozó dugó nem illeszhető a csatlakozóaljba, javasoljuk, hogy hívjon szerelőt.
- A készüléket megfelelően beszerelt, biztosítékkal rendelkező csatlakozóaljzatba kell csatlakoztatni. Az üzemeltetési pontnál az áramellátásnak (váltakozó áram) és a feszültségnek meg kell egyeznie a készülék adattábláján találhatóval (az adattábla a készülék belsejében, baloldalt található).
- A földelés nélküli használatból eredő károkért nem vállalunk felelősséget.
- A hűtőszekrény közvetlen napfénytől védett helyen helyezze el.
- Soha ne használja a hűtőszekrényt a szabadban és ne hagyja az esőn.

- A készülék legalább 50 cm távolságra legyen a tűzhelyektől, gázsütőktől és radiátoroktól, és legalább 5 cm távolságra az elektromos sütőktől.
- Ha a hűtőszekrényt fagyasztó mellé helyezi el, hagyjon legalább 2 cm helyet a készülékek között, hogy megelőzze a külső felületek bepárasodását.
- Ne rakjon súlyos tárgyakat a készülékre.
- Használat előtt tisztítsa meg alaposan a készüléket, különösen a belsejét (lásd: Tisztítás és karbantartás).
- A konyhaszekrénybe való beszerelés eljárását a Szerelési kézikönyv adja meg. A termék kizárólag megfelelő konyhaszekrényekben való használatra való.
- Az állítható első lábakat úgy kell beállítani, hogy a készülék vízszintben és stabilan álljon. A lábak beállításához forgassa el azokat az óramutató járásával egyező irányba (vagy az ellenkező irányba). Ezt még azelőtt kell elvégezni, hogy ételt tenne a hűtőszekrénybe.
- A hűtőszekrény használata előtt törölje át az összes alkatrész hátulját meleg víz és egy teáskanál szóda-bikarbóna keverékével, öblítse le tiszta vízzel, majd hagyja megszáradni. Tisztítás után tegyen vissza minden alkatrészt.
- Szerelje fel a műanyag távtartót (a hátul fekete lapátokkal ellátott alkatrész) az ábrán látható módon, 90°-kal elfordítva, hogy a kondenzátor ne érjen hozzá a falhoz.
- A hűtőszekrényt fal mellé kell helyezni, úgy, hogy a faltól való távolság ne haladja meg a 75 mm.



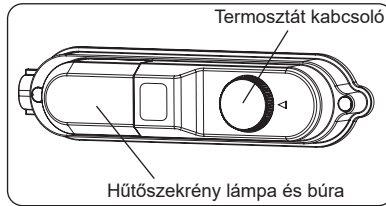
## A hűtőszekrény használata előtt

- A hatékony működés érdekében a szállítást követően hagyja a hűtőszekrényt 3 óráig felállított helyzetben, és csak ezután dugja be. Ellenkező esetben megsérülhet a kompresszor.
- Az első használat során a hűtőszekrényben szagok keletkezhetnek. Amint a hűtőszekrény elkezd lehűlni, a szag enyhülni fog.





## Termosztát Beállítása



- A termosztát automatikusan szabályozza a belső hőmérsékletet a hűtő és a mélyhűtő részben egyaránt. A forgatható gomb minimumtól maximumig(1-5) való állításával egyre hidegebb hőmérséklet érhető el.
- A mélyhűtő részben rövid ideig tárolni kívánt élelmiszerekhez a szabályzó gombot minimum és közepes (medium 1-3) pozíció közé állíthatja.
- A mélyhűtő részben hosszabb ideig tárolni kívánt élelmiszerekhez a szabályzó gombot közepes és maximum pozíció közé állíthatja.(3-4)
- Megjegyzés: A külső hőmérséklet, a frissen behelyezett élelmiszer, a véletlen nyitva felejtett ajtó befolyásolhatja a hűtőszekrény hőmérsékletét. Ha szükséges állítson a hőmérséklet szabályzó gombon.

## Figyelmeztetések a hőmérséklet beállításokhoz

- A külső hőmérséklet, a frissen behelyezett élelmiszer hőmérséklete, illetve az ajtónyitások száma befolyásolja a hűtőtér hőmérsékletét. Ha szükséges, változtassa meg a hőmérséklet beállítást.
- Nem ajánlott a hűtőszekrény 10 °C-nál alacsonyabb hőmérsékletű környezetben történő használata.
- A hőmérséklet beállításánál vegye figyelembe, hogy milyen gyakran nyitják ki a hűtőszekrény ajtaját, mennyi élelmiszert tárol a készülékben, milyen magas a szoba hőmérséklete, illetve hol helyezték el a készüléket.
- Javasolt a hűtőszekrény első használatakor legalább 24 órán keresztül megszakítás nélkül működtetni a készüléket, hogy biztosan elérje a megfelelő hőmérsékletet. Ebben az időszakban ne nyissa ki a hűtő ajtaját, és ne rakjon a készülékbe ételt.
- A hűtőszekrény 5 perces beépített késleltetés funkcióval rendelkezik a kompresszor meghibásodásának elkerülése érdekében. A hűtőszekrény az elektromos hálózathoz történt csatlakoztatás követően, 5 perc elteltével kezd működni.
- A hűtőszekrényt úgy tervezték, hogy a szabványban meghatározott külső hőmérséklet határok között működjön, az információs táblán látható klímaosztálynak megfelelően. A hűtési teljesítmény hatékonysága érdekében nem ajánlott a hűtőszekrény megjelölt határértékeken kívüli hőmérsékletű környezetben történő működtetése.

- Ezt a készüléket 16 °C -43 °C közötti környezeti hőmérséklet tartományban történő használatra tervezték.

### **Éghajlati kategóriák és jelentésük.**

**T (trópusi):** Ezt a hűtőberendezést 16 °C és 43 °C közti környezeti hőmérsékleten való használatra tervezték.

**ST (szubtrópusi):** Ezt a hűtőberendezést 16 °C és 38 °C közti környezeti hőmérsékleten való használatra tervezték.

**N (mérsékelt):** Ezt a hűtőberendezést 16 °C és 32 °C közti környezeti hőmérsékleten való használatra tervezték.

**SN (kiterjesztett mérsékelt):** Ezt a hűtőberendezést 10 °C és 32 °C közti környezeti hőmérsékleten való használatra tervezték.

## **3-FEJEZET AZ ÉTEL ELHELYEZÉSE**

### **Tisztítás**

- **A hűtőszekrény tisztítása előtt húzza ki a készüléket a hálózati csatlakozóból.**
- Ne tisztítsa a készüléket folyó vízzel!
- Kézmeleg szappanos vízbe mártott ruhával vagy szivaccsal törölje át a készülék külsejét és belsejét.
- Kiemelve vagy kihúzva távolítsa el óvatosan minden polcot és fiókot, és tisztítsa meg őket szappanos vízzel. A tartozékokat ne mossa el mosógéppel vagy mosogatógéppel!
- A hűtőszekrény tisztításához ne használjon oldószert, súrolószert, üveg tisztítószert vagy általános tisztítószert. Ezek a tisztítószerek a bennük található vegyszerek miatt károsíthatják a műanyag felületeket és más elemeket.
- A hűtőszekrény hátoldalán található hőcserélőt legalább évente egyszer tisztítsa meg egy puha kefével, vagy porszívóval.
- Általános üzemelési körülmények között elegendő a hűtőszekrény hőmérsékleti beállítását +4 °C-ra állítani.
- A hűtőrekesz hőmérsékletének 0-8 °C között kell lennie, a friss élelmiszerek 0 °C alatt jegesednek vagy elrohadnak, míg 8 °C felett baktériumok lephetik el őket és megromolhatnak.
- Ne tegyen forró ételt a hűtőszekrénybe. Várja meg, amíg kihűl az étel. A

forró ételek megnövelik a hűtőszekrény hőmérsékletét és ételmérgezést okozhatnak, valamint ételek romlásához vezethetnek.

- A húsokat, halakat, stb. a készülék hűtőrekeszében, míg a zöldségeket a zöldségeknek fenntartott rekeszben (ha elérhető) tárolja,
- A keresztzennyeződés elkerülése érdekében, a húsarukat és gyümölcsöket, valamint zöldségeket ne tároljon együtt.
- Az ételeket zárt tárolóban helyezze a hűtőszekrénybe vagy takarja le őket valamivel a nedvesség és kellemetlen szagok megakadályozása érdekében.

***Győződjön meg róla, hogy tisztítás közben a készülék nincs csatlakoztatva az elektromos hálózathoz.***

<b>Élelmiszer</b>	<b>Eltarthatóság</b>	<b>Hová helyezze a hűtőrekeszben</b>
<b>Zöldségek és gyümölcsök</b>	1 hét	A frissentartó rekeszben (anélkül, hogy bármibe be lennének csomagolva)
<b>Hús és hal</b>	2 - 3 nap	Műanyag fóliával fedve és zacskóval fedve, vagy hústartó dobozban (az üvegpolcon)
<b>Friss sajt</b>	3 - 4 nap	Az ajtón lévő speciális polcban
<b>Vaj és margarin</b>	1 hét	Az ajtón lévő speciális polcban
<b>Palackozott termék, tej és joghurt</b>	A gyártó által ajánlott lejárati időig	Az ajtón lévő speciális polcban
<b>Tojások</b>	1 hónap	A tojástartó polcban
<b>Főtt étel</b>	2 nap	Bármelyik polcon

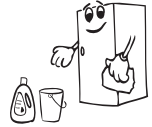
- Ne felejtse el kihúzni a hűtőszekrényt, mielőtt tisztítani kezdené.



- Ne tisztítsa a hűtőszekrényt víz ráöntésével.



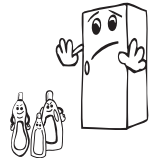
- A belső és külső oldalait áttörölheti puha ruhával vagy szivaccsal, meleg, szappanos víz segítségével.



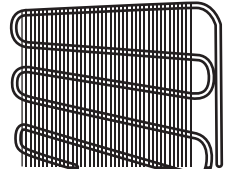
- Egyenként távolítsa el a részeit, és tisztítsa meg szappanos vízzel. Ne mossa el őket mosogatógépben.



- Soha ne használjon gyúlékony, robbanásveszélyes vagy maró anyagot, például hígítót, gázt vagy savat a tisztításhoz.



- Az energiatakarékosság és a hatékonyabb működés érdekében évente legalább egyszer kefével porolja le a kondenzátort.



**Gondoskodjon arról, hogy a hűtőszekrény ki legyen húzva a tisztítás idején.**

## Replacing The Light Bulb

When replacing the light of the refrigerator;

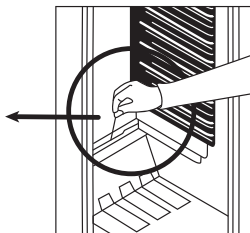
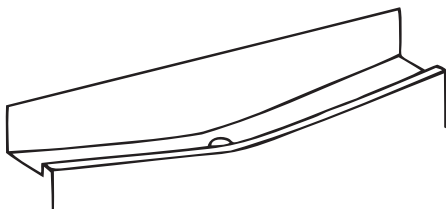
1. Unplug the unit from the power supply,
2. Press the hooks on the sides of the light cover top and remove the light cover
3. Change the present light bulb with a new one of not more than 15 W.
4. Replace the light cover and after waiting 5 minutes plug the unit.

### A LED lámpák cseréje

Ha a hűtőszekrény LED lámpákkal van felszerelve, lépjen kapcsolatba az ügyfélszolgálattal, mivel ezeket csak képzett személy cserélheti ki.

## Leolvasztás

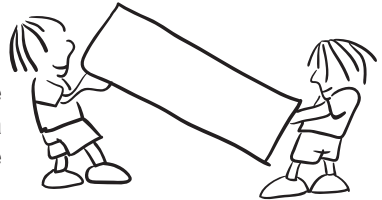
### Hűtőrész



- Ezen készülékek működés közben automatikusan olvasztódnak le, a leolvasztott víz elpárolog a párologtató tálcából.
- A párologtató tálcát és az ahhoz vezető nyílást rendszeresen tisztítani kell. Ezzel a leolvasztás során keletkezett víz összegyűlése elkerülhető.
- Akár egy fél pohár vízzel is tisztíthatja az elpárologtató tálcához vezető nyílást.

## 5-FEJEZET SZÁLLÍTÁS ÉS ELHELYEZÉS

- Az eredeti csomagolást és védőhabot az újbóli szállításhoz meg lehet tartani (opcionálisan).
- A hűtőszekrény vastag csomagolással, szalagokkal vagy erős kötelekkel kell rögzíteni, és be kell tartani az újraszállításra szolgáló csomagoláson található szállítási utasításokat.
- A mozgatható alkatrészeket (polcok, tartozékok, zöldségtárolók stb.) távolítsa el, vagy az áthelyezés és aállítás idejére szalagok segítségével rögzítse őket a hűtőszekrényben az ütődések elkerülése érdekében.



***A hűtőszekrényt álló helyzetben mozgassa.***

### **Az ajtó átszerelése**

- Nem módosítható a hűtőszekrény ajtajának nyitási iránya, ha az ajtó fogantyúja az ajtó elülső felületére van rögzítve.
- A fogantyú nélküli modelleknél az ajtó nyitási iránya minden további nélkül módosítható.
- Ha módosítható a hűtőszekrény ajtajának nyitási iránya, a művelet elvégzéséért vegye fel a kapcsolatot a legközelebbi hivatalos szervizzel.

## 6-FEJEZET MIELŐTT SZERVIZHEZ FORDULNA

Ha hűtőszekrény nem működik rendesen, kis hiba is lehet, ezért ellenőrizze a következőket a szerelő hívása előtt, hogy pénzt és időt spóroljon.

**Mi a teendő, ha a hűtőgép nem működik;**

**Ellenőrizze, hogy;**

- Van-e áram,
- Az otthoni főkapcsoló csatlakoztatva van-e,
- A dugaszoló aljzat megfelelő-e. Ennek ellenőrzéséhez csatlakoztasson egy olyan másik készüléket ebbe a dugaszoló aljzatba, amiről biztosan tudja, hogy működik.

**Mi a teendő, ha a hűtőgép gyenge teljesítményt nyújt;**

**Ellenőrizze, hogy;**

- A berendezés nincs-e túlterhelve,
- Az ajtó tökéletesen be van zárva,
- Nem került-e por a kondenzátorba,
- Elegendő hely van-e a hátsó, illetve az oldalsó falaknál.

## **Ha a hűtőszekrény túl hangosan működik:**

### **Normál zajok**

#### **Roppanás (jégroppanás) zaja:**

- Automatikus leolvasztás közben.
- Amikor a berendezés lehűl vagy felmelegszik (a berendezés anyagának tágulása miatt).

**Rövid roppanás:**Akkor hallható, amikor a termosztát be-/kikapcsolja a kompresszort.

**Kompresszor zaj: Normális motorzaj.** Ez a zaj azt jelenti, hogy a kompresszor normálisan üzemel. A kompresszor rövid ideig zajosabb lehet, amikor bekapcsol.

**Bugyborékoló zaj és csobbanás:** Ezt a zajt az okozza, ahogy a hűtőközeg áramlik a rendszer csöveiben.

**Vízáramlás zaja:** A leolvasztás során a párologtató tartályon átáramló víz normális áramlási zaja. Ez a zaj a leolvasztás során hallható.

**Levegőfúvás zaja:** Normális ventilátorzaj. Ez a zaj normális működés közben hallható a hűtőszekrényekben a levegő áramlás miatt.

## **Ha a hűtőszekrény ajtóillesztéssel érintkező szélei melegek:**

Különösen nyáron (meleg időben) előfordulhat, hogy az illesztéssel érintkező felületek a kompresszor üzemelése közben felmelegszenek; ez normális.

## **Ha a hűtőszekrényben pára gyűlik fel:**

- Minden élelmiszer megfelelően van becsomagolva? Minden edényt megszárítottak a hűtőszekrénybe helyezésük előtt?
- Gyakran van kinyitva a hűtőszekrény ajtaja? A szoba páratartalma behatol a hűtőszekrénybe amikor az ajtó kinyílik. A pára felhalmozódása gyorsabb ütemben történik amikor az ajtót gyakrabban nyitja ki, különösen ha a szoba páratartalma magas.

## **Ha az ajtó nem nyílik és záródik rendesen;**

- Az élelmiszerek csomagjai akadályozzák az ajtó becsukását?
- Az ajtórekeszek, a polcok és a fiókok megfelelően vannak elhelyezve?
- Az ajtó illesztések nincsenek eltörve vagy elszakadva?
- Vízszintes felületen van a hűtőszekrény?

## **Javaslatok**

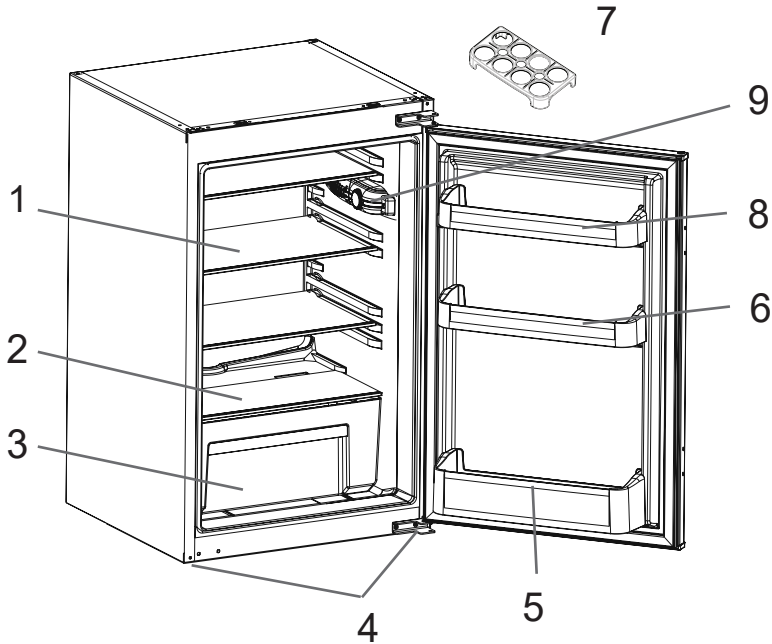
- A berendezés teljes leállításához húzza ki az aljzatból (tisztításhoz és amikor az ajtó nyitva van)

## **Energiatakarékosági tippek**

1. Helyezze el a berendezést egy hűvös, jól szellőző helyiségben de ne közvetlen napsütésbe vagy hőforrás (radiátor, tűzhely, stb.) mellé. Ellenkező esetben használjon szigetelő lemezt.
2. Mielőtt a hűtőszekrénybe tenné az ételt vagy az italt, várja meg, amíg kihűlnek.
3. Zárja le az italokat vagy más folyadékokat amikor behelyezi őket a berendezésbe. Máskülönben a páratartalom megnő a berendezésben. Így a hűtőszekrény több ideig fog dolgozni. Továbbá az italok és más folyadékok lezárása segít megőrizni a szagokat és az ízeket.
4. Próbálja elkerülni, hogy az ajtó hosszú ideig nyitva legyen vagy túl gyakran legyen kinyitva, mert a meleg levegő behatol a hűtőszekrénybe és emiatt a kompresszor szükségtelenül gyakran bekapcsol.
5. Tartsa zárva a különböző hőmérséklet rekeszek fedelét (zöldséges rekesz, hűtőrekesz, stb.).
6. Az ajtó tömítéseinek tisztának és rugalmasnak kell lenniük. Az elhasználódott tömítéseket cserélje ki.



Ez a készülék nem beépítésre szánt modell.



A fentiek csupán a készülék egyes részeinek tájékoztató bemutatására szolgálnak. Az adott modell függvényében a részegységek eltérőek lehetnek.

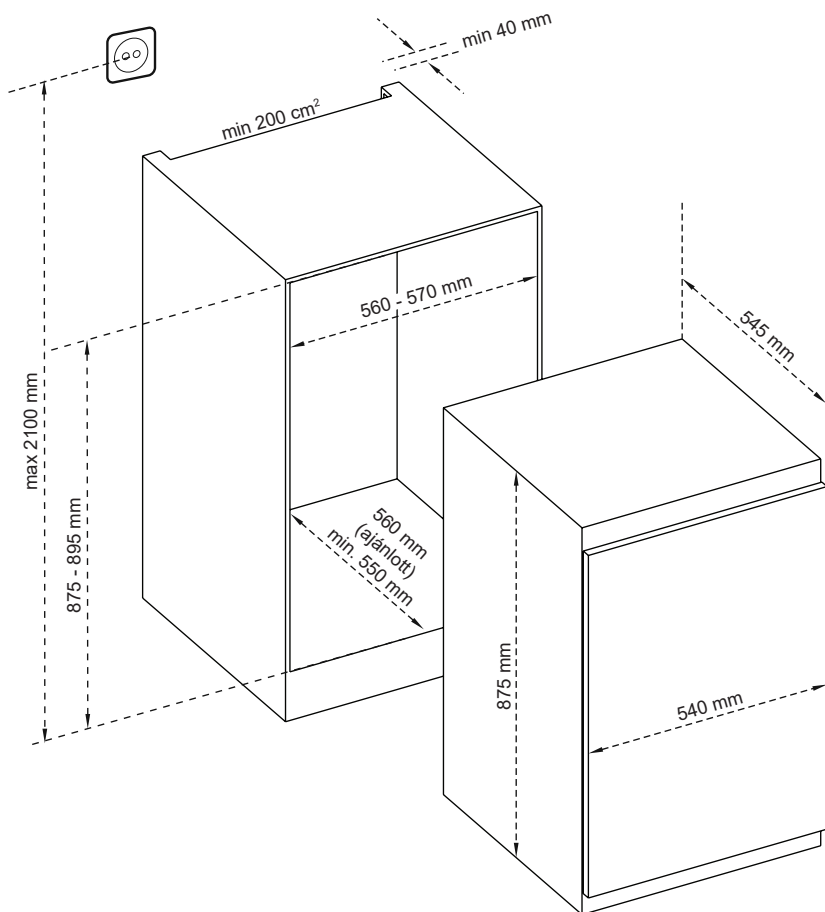
- 1) HŰTŐPOLC
- 2) ZÖLDSÉGTARTÓ FIÓK FEDELE
- 3) ZÖLDSÉGTARTÓ FIÓK
- 4) ÁLLÍTHATÓ LÁB
- 5) ÜVEGTARTÓ POLC
- 6) VAJ, SAJTPOLC
- 7) TOJÁSTARTÓ
- 8) VAJ, SAJTPOLC
- 9) TERMOSZTÁT DOBOZA

#### Általános megjegyzések

**Fagyasztó rekesz (Fagyasztó):** A leghatékonyabb energiafogyasztás elérése akkor garantált, ha a fiókok és tárolórekeszek a helyükön vannak.

# Méretetek

\* 875 - 883 fém felső fedélhez



## 8-FEJEZET MŰSZAKI ADATOK

A műszaki adatok a készülék belső oldalán elhelyezett típustáblán és az energiafogyasztási címkén található.

A készülékkel együtt átadott energiafogyasztási címkén található QR kód egy internetes linket tartalmaz az EU EPREL adatbázisához, ahol megtalálhatók a készülék teljesítményére vonatkozó adatok.

Őrizze meg az energiaosztály címkét a felhasználói kézikönyvvel és a készülékhez adott egyéb dokumentumokkal együtt.

Ugyanezek az információk megtalálhatók az EPREL adatbázisban a <https://eprel.ec.europa.eu> link segítségével, a készülék típustábláján található modellnév és termékszám alapján.

Az energiafogyasztási címkére vonatkozóan részletes információt talál a [www.theenergylabel.eu](http://www.theenergylabel.eu) linken.

## 9-FEJEZET INFORMÁCIÓK TESZTELŐ INTÉZETEK SZÁMÁRA

A készülék EcoDesign ellenőrzésre való telepítését és előkészítését az EN 62552 szabvány szerint kell végezni. A szellőzési előírásoknak, a befogadó terület méreteinek és a faltól való minimális hátsó távolságnak meg kell felelnie a Felhasználói kézikönyv 1. Részében írtaknak. Kérjük, vegye fel a kapcsolatot a gyártóval, ha további információkra van szüksége, beleértve a berakodási tervrajzokat is.

## 10-FEJEZET ÜGYFÉLSZOLGÁLAT ÉS SZERVIZ

Használati tanácsokat, broszúrákat, problémamegoldási javaslatokat, szervizelési és javítási információkat talál:

[www.vestel.com](http://www.vestel.com)

# SIGURNOSNE UPUTE

**OBAVEZNO** pročitajte i pridržavajte se

Prije upotrebe uređaja pročitajte ove sigurnosne upute. Sačuvajte ih za buduću referencu.

Ovaj priručnik i sam uređaj sadrže važna sigurnosna upozorenja kojih se morate stalno pridržavati. Proizvođač otklanja svaku odgovornost u slučaju nepoštivanja sigurnosnih uputa, za neprikladno korištenje ili za pogrešno podešavanje komandi.

⚠ Vrlo maloj djeci (0 – 3 godina) ne dopuštajte pristup uređaju. Maloj djeci (3 – 8 godina) ne dopuštajte pristup uređaju ako nisu pod nadzorom. Djeca starija od 8 godina i osobe smanjenih fizičkih, osjetilnih i mentalnih sposobnosti ili osobe bez dovoljnog iskustva i znanja mogu koristiti uređaj samo ako su pod nadzorom ili su dobili upute o sigurnom rukovanju uređajem te ako razumiju potencijalne opasnosti. Djeca se ne smiju igrati s uređajem. Djeca ne smiju čistiti niti održavati uređaj bez nadzora.

## DOZVOLJENI RASPON UPOTREBE

⚠ **OPREZ:** Uređaj nije namijenjen za rad pomoću vanjskog uređaja za uključivanje kao što je mjerač vremena ili odvojeni sustav daljinskog upravljanja.

⚠ Ovaj uređaj namijenjen je upotrebi u kućanstvima i na sličnim mjestima, kao što su: kuhinje za osoblje u trgovinama, uredi i druge objekti u kojima se radi; seoske kuće; za goste u hotelima, motelima ili sličnim smještajnim jedinicama.

⚠ Ovaj uređaj nije namijenjen za profesionalnu upotrebu. Nemojte koristiti ovaj uređaj na otvorenom prostoru.

⚠ Žarulja koja se nalazi u uređaju posebno je namijenjena za kućanske uređaje i nije prikladna za rasvjetu u kućanstvu (Uredba EZ 244/2009).

⚠ Predviđeno je da uređaj radi na mjestima s temperaturom unutar raspona navedenog u nastavku, prema klimatskom razredu označenom na nazivnoj pločici. Uređaj možda neće ispravno raditi ako ga ostavite duže vrijeme na temperaturi izvan navedenog raspona.

### Klimatski razred – Temperatura okoline (°C)

SN: Od 10 do 32 °C

ST: Od 16 do 38 °C,

N: Od 16 do 32 °C

T: Od 16 do 43 °C



Ovaj kućanski aparat ne sadrži kloroflorougljike (CFC). Sustav hlađenja sadrži R600a (HC). Uređaji s izobutanom (R600a): izobutan je prirodni plin koji ne utječe negativno na okoliš, ali je zapaljiv.

Zbog toga provjerite da cijevi rashladnog sustava nisu oštećene posebice prilikom pražnjenja sustava.

⚠ **UPOZORENJE:** Nemojte oštetiti cijevi rashladnog sustava uređaja.

⚠ **UPOZORENJE:** Pazite da nema zapreka na ventilacijskom otvoru na kućištu uređaja ili ugradbenom elementu.

⚠ **UPOZORENJE:** Ne upotrebljavajte mehanička, električna ili kemijska sredstva za ubrzavanje postupka odleđivanja, osim onih koje preporučuje proizvođač.

⚠ **UPOZORENJE:** Ne upotrebljavajte električne uređaje i ne stavljajte ih u odjeljke uređaja osim ako ih proizvođač nije izričito dozvolio.

⚠ **UPOZORENJE:** ledomati i/ili uređaji za vodu koji nisu izravno spojeni na dovod vode moraju se puniti samo pitkom vodom.

⚠ **Eksplzivne tvari** kao što su spremnici raspršivača ne pohranjujte i ne upotrebljavajte benzin ili druge zapaljive tvari u uređaju ili u njegovoj blizini.

⚠ Ne gutajte sadržaj (nije otrovan) vrećica za led (isporučuje se s određenim modelima). Ne jedite kocke leda ili ledene lizalice odmah nakon vađenja iz zamrzivača jer mogu izazvati smrzotine.

⚠ Na proizvodima napravljenima tako da upotrebljavaju filter za zrak unutar dostupnog poklopca ventilatora filter uvijek mora biti u položaju za rad kada hladnjak radi.

⚠ **Staklene spremnike s tekućinom** ne stavljajte u zamrzivač jer se mogu razbiti.

Ventilator (ako je uređaj opremljen) ne zaklanjajte namirnicama. Nakon stavljanja hrane, provjerite zatvaraju li se vrata odjeljaka ispravno, posebice vrata zamrzivača.

⚠ **Oštećene brtve** potrebno je što prije zamijeniti.

⚠ **Odjeljak hladnjaka** upotrebljavajte samo za čuvanje svježe hrane, a odjeljak zamrzivača samo za čuvanje smrznute hrane, zamrzavanje svježe hrane i izradu kocki leda.

⚠ **Izbjegavajte čuvanje neomotane hrane** u izravnom dodiru s unutarnjim površinama odjeljaka hladnjaka ili zamrzivača.

Uređaji mogu imati posebne odjeljke (odjeljak sa svježom hranom, kutija od nula stupnjeva...).

U slučaju da nije drugačije navedeno u knjižici proizvoda, oni se mogu ukloniti održavajući jednaku učinkovitost.



C-pentan koristi se kao raspršujuće sredstvo u izolacijskoj pjeni i spada u zapaljive plinove.

## **POSTAVLJANJE**

⚠ Pri postavljanju, uređajem moraju rukovati dvije ili više osoba: opasnost od ozljeda. Za raspakiranje i postavljanje uređaja upotrijebite zaštitne rukavice: opasnost od porezotina.

⚠ **Postavljanje, uključujući dovod vode** (ako je uređaj opremljen) i električne priključke te popravke smije obavljati samo kvalificirani tehničar. Nemojte popravljati ni zamjenjivati bilo koji dio uređaja, osim ako to nije izričito navedeno u korisničkom priručniku. Djeci ne dozvoljavajte približavanje mjestu postavljanja. Nakon uklanjanja ambalaže s proizvoda, provjerite da tijekom transporta nije došlo do oštećenja. U slučaju problema obratite se distributeru ili najbližem postprodajnom servisu. Nakon postavljanja otpadni materijal pakiranja (plastiku, dijelove od stiropora itd.) odložite van dohvata djece: opasnost od gušenja. Uređaj se prije postavljanja mora isključiti iz napajanja: opasnost od električnog udara. Pazite da za vrijeme postavljanja uređaj ne ošteti električni kabel: opasnost od požara ili električnog udara. Uređaj uključite tek kada završi postupak postavljanja.

⚠ Pazite da ne oštetite pod (npr. parket) pri pomicanju uređaja. Postavite uređaj na pod ili podlogu dovoljno čvrstu da može podnijeti njegovu težinu te na mjestu prikladnom njegovoj veličini i načinu upotrebe. Prilikom postavljanja uređaja provjerite jesu li sve četiri nožice stabilne te da stoje na podu, podešavajući ih ako je potrebno, a zatim pomoću libele provjerite je li uređaj savršeno poravnat. Pričekajte najmanje dva sata prije nego što uključite uređaj da biste bili sigurni da je rashladni krug u punoj funkciji. Sve dimenzije i prostor potreban za postavljanje uređaja navedeni su u knjižici s uputama za postavljanje.

⚠ **UPOZORENJE:** Prilikom postavljanja uređaja pazite da kabel za napajanje nije zaglavljen ili oštećen.

⚠ **UPOZORENJE:** da bi se izbjegla opasnost zbog nestabilnosti, smještanje ili fiksiranje uređaja mora se obaviti u skladu s uputama proizvođača. Hladnjak je zabranjeno postaviti tako da metalna cijev plinskog štednjaka, metalne cijevi plina ili vode ili električnim kabeli dolaze u kontakt sa stražnjom stijenkom hladnjaka (zavojnica kondenzatora).

## **ELEKTRIČNA UPOZORENJA**

⚠ Mora postojati mogućnost isključivanja uređaja iz struje uklonjenjem priključka ako je on dostupan ili to treba učiniti pomoću dostupne sklopke s više polova instalirane uz utičnicu u skladu s pravilima ožičenja i uređaj mora biti uzemljen u skladu s nacionalnim

sigurnosnim standardima za električnu struju.

⚠ Nemojte upotrebljavati produžne kabele, višestruke utičnice ili adaptere. Nakon postavljanja električni dijelovi ne smiju biti dostupni korisniku. Uređaj ne upotrebljavajte kada ste mokri ili bos. Uređaj ne upotrebljavajte ako su njegov dovodni kabel ili utikač oštećeni, ako ne radi ispravno ili ako je oštećen ili je pao na tlo.

⚠ Ako je kabel za napajanje oštećen, istim ga mora zamijeniti proizvođač, ovlašteni serviser ili osobe sličnih kvalifikacija kako biste izbjegli opasne situacije: opasnost od strujnog udara.

⚠ **UPOZORENJE:** Višestruke prijenosne utičnice – izlaze ili prijenosna napajanja nemojte postavljati na stražnji dio uređaja.

## **ČIŠĆENJE I ODRŽAVANJE**

⚠ **UPOZORENJE:** Provjerite je li uređaj isključen ili odspojen iz napajanja prije obavljanja bilo kojeg zahvata održavanja; nikada ne upotrebljavajte uređaje za čišćenje parom: opasnost od električnog udara.

⚠ Abrazivna ili oštra sredstva za čišćenje kao što su raspršivači za čišćenje stakla, sredstva za ribanje, zapaljive tekućine, voskove za čišćenje, koncentrirane deterdžente, izbjeljivače ili sredstva za čišćenje koja sadrže petrolej nemojte upotrebljavati na plastičnim dijelovima, unutarnjim vodilicama ili vodilicama vrata ni na brtvama. Ne upotrebljavajte papirnate ručnike, jastučice za ribanje ili oštra sredstva za čišćenje.

## ODLAGANJE AMBALAŽNOG MATERIJALA

Ambalažni materijal može se u potpunosti reciklirati i označen je simbolom recikliranja



Različiti dijelovi ambalaže moraju se zbrinuti na odgovarajući način i u skladu s lokalnom zakonskim propisima za odlaganje otpada.

## ODLAGANJE KUĆANSKIH UREĐAJA


Ovaj uređaj proizveden je od materijala koje se može reciklirati ili ponovno iskoristiti.

Odložite ga na otpad u skladu s lokalnim propisima o odlaganju otpada.

Radi detaljnijih informacija o postupanju, uporabi i recikliranju električnih kućanskih aparata, obratite se nadležnom mjesnom uredu, službi za skupljanje komunalnog otpada ili trgovini u kojoj ste uređaj kupili.

Ovaj uređaj je označen sukladno europskoj direktivi 2012/19/EU o električnom i elektroničkom otpadu (OEEO).

Osigurate li ispravno odlaganje tog proizvoda, pomoći ćete u sprječavanju mogućih negativnih posljedica za okoliš i zdravlje ljudi.

Simbol  na uređaju ili na popratnoj dokumentaciji označava da se ovaj proizvod ne smije odlagati kao nerazvrstani komunalni otpad, nego ga treba odnijeti na sakupljalište za obradu električnog i elektroničkog otpada.

## SAVJETI ZA UŠTEDU ENERGIJE

Kako bi se zajamčila odgovarajuća ventilacije slijedite upute za postavljanje.

Nezadovoljavajuća ventilacija na stražnjem dijelu proizvoda povećava potrošnju energije i smanjuje učinkovitost hlađenja.

Često otvaranje vrata može dovesti do veće

potrošnje energije.

Na temperaturu u unutrašnjosti uređaja i potrošnju energije mogu utjecati temperatura okoline kao i položaj uređaja. Pri postavljanju temperature valja uzeti u obzir te čimbenike.

Otvaranje vrata smanjite na minimum.

Prilikom otapanja zamrznute hrane stavite je u hladnjak. Niska temperatura zamrznutih proizvoda hladi hranu u hladnjaku.

Topla jela i pića ostavite da se ohlade prije stavljanja u uređaj.

Položaj police unutar hladnjaka ne utječe na učinkovitost upotrebe energije. Hrana bi se na police trebala stavljati na način koji osigurava pravilnu cirkulaciju zraka (hrana se ne bi smjela međusobno dodirivati, a trebao bi i postojati razmak između hrane i stražnje stjenke).

Kapacitet pohranjivanja zamrznute hrane možete povećati uklanjanjem košara te, ako je prisutna, police za sprječavanje nakupljanja leda.

Nemojte brinuti zbog buke koju stvara kompresor jer su to normalni zvukovi rada.

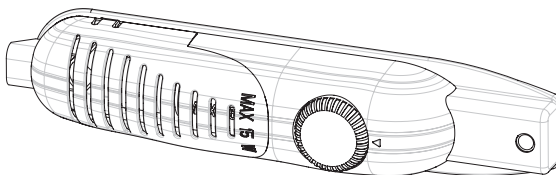


Označavanje sukladnosti Zaljeva na proizvodima označava da su zadovoljeni svi zahtjevi Tehničkog pravilnika Zaljeva za niskonaponsku električnu opremu i uređaje BD-142004-01.

# NAČIN UPOTREBE UREĐAJA

## Postavke termostata

- Termostat automatski regulira temperaturu u unutrašnjosti hladnjaka. Okretanjem gumba iz položaja od 1 do 5, može se postići hladnija temperatura.
- Položaj „•“ pokazuje da je termostat zatvoren i da se hlađenje neće odvijati.
- Za kratkotrajno čuvanje hrane u hladnjaku, gumb možete postaviti između minimalnog i srednjeg položaja (1-3).
- Za dugotrajno čuvanje hrane u hladnjaku, gumb možete postaviti u srednji položaj (3-4).



**Obратите pažnju na sljedeće:** Temperatura okoline, temperatura svježe pohranjenih namirnica i učestalost otvaranja vrata utječu na temperaturu u hladnjaku. Promijenite postavku temperature prema potrebi.

- Kada uređaj po prvi puta uključujete, idealno bi bilo da ga pustite da 24 sata radi bez namirnica i bez otvaranja vrata. Ako ga morate odmah upotrijebiti, pokušajte ne stavljati velike količine namirnica.
- Ako se jedinica isključi ili iskopča, morate omogućiti barem 5 minuta prije ponovnog pokretanja da ne bi došlo do oštećenja kompresora.
- ODJELJCI ZA ZAMRZAVANJE (bez oznake u zvjezdicama): Odjeljci za zamrzavanje (rashlađivači) nemaju zamrzivač, ali mogu hladiti do 4 - 6 °C.

## Upozorenja o podešavanjima temperature

- Ne preporučuje se rad hladnjaka u okolini hladnijoj od 10°C zbog učinkovitosti.
- Podešavanje temperature trebalo bi se obaviti u skladu s učestalošću otvaranja vrata i količinom namirnica u hladnjaku.
- Kako bi se potpuno ohladio, nakon priključivanja hladnjak mora neprekidno raditi do 24 sata ovisno o temperaturi okoline. Nemojte često otvarati vrata hladnjaka i u tom razdoblju nemojte stavljati mnogo namirnica u uređaj.
- Primjenjuje se odgoda u trajanju od 5 minuta kako bi se spriječilo oštećenje kompresora hladnjaka kada ga iskopčavate i zatim ponovno priključujete da bi radio ili ako dođe do nestanka energije. Hladnjak će početi normalno raditi nakon 5 minuta.
- Hladnjak je namijenjen radu u rasponu temperature okoline navedenom u standardima prema klimatskom razredu navedenom na naljepnici s informacijama. Ne preporučujemo da hladnjak radi izvan navedenih vrijednosti temperature zbog učinkovitosti hlađenja.
- Ovaj je uređaj namijenjen za upotrebu pri temperaturi okoline u rasponu od 16°C do 32°C.



# ČUVANJE HRANE U UREĐAJU

- Hladnjak se upotrebljava za čuvanje svježe hrane na nekoliko dana.
- Namirnice nemojte stavljati u izravan dodir sa stražnjom stjenkom hladnjaka. Ostavite malo prostora oko namirnica kako biste omogućili kruženje zraka.
- Vruće namirnice ili tekućinu koja isparava ne stavljajte u hladnjak.
- Uvijek pazite da su namirnice omotane ili spremljene u zatvorene spremnike.
- Da biste smanjili vlagu i izbjegli stvaranje leda nikada nemojte u hladnjak stavljati tekućinu u nezatvorenim spremnicima.
- Preporučujemo da labavo omotate meso i čuvate ga na staklenoj polici odmah iznad košare za povrće gdje je zrak hladniji.
- Čuvajte voće i povrće u pretincima za održavanje svježine voća i povrća bez tiskanja.
- Kako bi se spriječio izlaz hladnog zraka, pokušavajte ne otvarati učestalo vrata i nemojte ih duže držati otvorena.

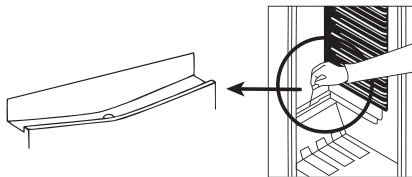
# ČIŠĆENJE I ODRŽAVANJE

- Iskopčajte uređaj iz električnog napajanja prije čišćenja.
- Uređaj nemojte čistiti tekućom vodom.
- Pobrinite se da u kucište svjetla i ostale električne sastavne dijelove ne uđe voda.
- Hladnjak morate povremeno očistiti otopinom sode bikarbone i mlake vode.
- Očistite dodatnu opremu odvojeno sapunom i vodom. Nemojte je prati u perilici posuđa.
- Ne upotrebljavajte abrazivne proizvode, deterdžente ili sapune. Nakon pranja, isperite čistom vodom i detaljno osušite. Kada završite s čišćenjem, suhim rukama ponovno ukopčajte utikač u strujnu utičnicu.
- Očistite kondenzator metlom najmanje dva puta godišnje. To će doprinijeti uštedi na troškovima energije i povećanju produktivnosti.

## NAPAJANJE MORA BITI ISKOPČANO.

### Odleđivanje

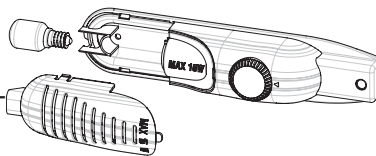
- Odmrzavanje se obavlja automatski u hladnjaku tijekom rada; voda koja nastaje odmrzavanjem sakuplja se u ladici za isparavanje i automatski isparava.
- Ladica za isparavanje i odvodni otvor za vodu koja nastaje odmrzavanjem moraju se redovito čistiti pomoću čepa otvora za odvod vode koja nastaje odmrzavanjem kako bi se spriječio da se voda skuplja na dnu hladnjaka umjesto da isteče.
- Odvod možete očistiti i tako da u njega ulijete ½ čaše vode.



### Zamjena žarulje

Prilikom zamjene žarulje hladnjaka:

1. Iskopčajte uređaj iz napajanja.
2. Pritisnite kukice na bočnim stranicama pokrova rasvjetle i uklonite pokrov.
3. Zamijenite postojeću žarulju novom čija jakost ne prelazi 15 W.
4. Ponovno postavite pokrov i pričekajte 5 minuta prije nego ukopčate uređaj.



### Zamjena LED svjetla

Ako vaš hladnjak ima LED svjetlo, obratite se službi za podršku kupcima jer LED svjetla moraju zamijeniti isključivo ovlašteni serviseri.

# PRIJEVOZ I PROMJENA POLOŽAJA POSTAVLJANJA

## Prijevoz i promjena položaja postavljanja

- Ako je potrebno, možete zadržati originalnu ambalažu i stiropor (PS).
- Tijekom prijevoza uređaj mora biti pričvršćen pomoću široke trake ili jakog konopca. Morate se pridržavati uputa napisanih na kutiji od korugiranog kartona tijekom prijevoza.
- Prije prijevoza ili zamjene položaja postavljanja, svi pomični predmeti (tj. police, pretinac za održavanje svježine voća i povrća itd.) moraju se izvaditi ili fiksirati trakama kako bi se izbjeglo njihovo oštećivanje.

**Hladnjak stavite u uspravan položaj.**

# PRIJE NEGO ŠTO KONTAKTIRATE POSTPRODAJNI SERVIS

Ako hladnjak ne radi ispravno, može se raditi o manjem problemu te stoga provjerite sljedeće.

## **Uređaj ne radi.**

### **provjerite:**

- je li nestalo struje.
- nije li utikač nepravilno ili labavo priključen.
- je li termostat postavljen u položaj "∞".
- nije li utičnica neispravna. Da biste obavili ovu provjeru, uključite drugi uređaj za koji znate da radi u istu utičnicu.

## **Rad uređaja je nezadovoljavajući.**

### **provjerite:**

- niste li preopteretili uređaj.
- jesu li vrata pravilno zatvorena.
- ima li dovoljno ventilacijskih odvoda u kuhinjskoj jedinici kao što je navedeno u priručniku za postavljanje.

## **Ako se čuje buka:**

Rashladni plin koji kruži sustavom hladnjaka može stvarati malu buku (zvuk žuborenja) čak i kad kompresor ne radi. Nemojte se brinuti, to je normalno. Ako čujete drugačiji zvuk, provjerite:

- je li uređaj postavljen čvrsto kao što je opisano u priručniku o postavljanju.
- ne vibriraju li predmeti na uređaju.

## **Ako u donjem dijelu hladnjaka ima vode,**

### **provjerite:**

- nije li začepljen odvodni otvor (upotrijebite čep za odvodnju vode koja nastaje odmrzavanjem kako biste očistili odvodni otvor).

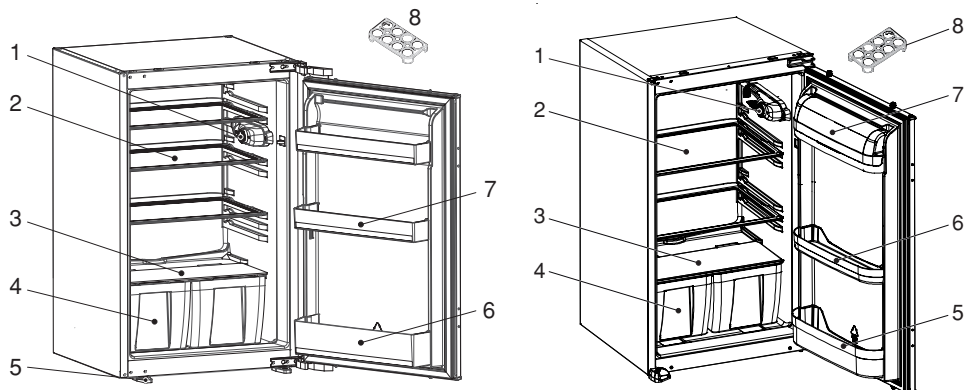
## **Preporuke**

- Kada nema struje, a da biste spriječili oštećenje kompresora, hladnjak iskopčajte. Kada se struja vrati, pričekajte 5 – 10 minuta prije ponovnog ukopčavanja.
- Ako hladnjak iz bilo kojeg razloga iskopčate, pričekajte najmanje 5 minuta prije ponovno ukopčavanja. Time ćete izbjeći oštećenja sastavnih dijelova hladnjaka.
- Rashladna jedinica hladnjaka sakrivena je u stražnjem dijelu uređaja. Stoga se na stražnjoj površini hladnjaka mogu pojaviti kapljice vode ili leda zbog rada kompresora u određenim intervalima. To je normalno te nema potrebe obavljati postupak odmrzavanja osim ako nema prekomjerne količine leda.
- Ako ne namjeravate upotrebljavati hladnjak dulje vrijeme (primjerice tijekom ljetnog godišnjeg odmora), postavite termostat u položaj „•”. Nakon odmrzavanja očistite hladnjak i ostavite vrata otvorena kako biste spriječili vlagu i miris.
- Ako se problem i dalje javlja nakon što ste postupili po gore navedenim uputama, obratite se najbližem ovlaštenom servisnom centru.
- Uređaj koji ste kupili namijenjen je za upotrebu u domaćinstvu i može se upotrebljavati samo za navedenu svrhu. Nije prikladan za komercijalnu ili široku upotrebu. Ako kupac upotrebljava uređaj na način koji nije sukladan s navedenim, naglašavamo da proizvođač i prodavač neće biti odgovorni za popravak i kvar unutar jamstvenog roka.

## **Savjeti za uštedu energije**

1. Postavite uređaj u hladnu prostoriju s dobrom ventilacijom, ali ne izravno na sunčevo svjetlo i ne u blizini izvora topline (radijatora, štednjaka itd.). U protivnom upotrijebite ploču za toplinsku izolaciju.
2. Prije stavljanja tople hrane i pića u uređaj, ostavite ih da se ohlade izvan uređaja.
3. Pokrijte pića i druge tekućine kada ih stavljate u uređaj. U protivnom u uređaju se povećava vlaga. Time se produžuje vrijeme rada. Pokrivanje pića i tekućina također omogućuje očuvanje mirisa i okusa.
4. Izbjegavajte držanje vrata predugo otvorenim ili prečesto otvaranje vrata jer će na taj način u ormar ući topli zrak i uzrokovati nepotrebno često uključivanje kompresora.
5. Držite pokrove odjeljaka različitih temperatura (pretinac za održavanje svježine voća i povrća, rashladni agregat itd.) zatvorene
6. Brtva vrata mora biti čista i gipka. Zamijenite brtvu ako je istrošena.

# DIJELOVI UREĐAJA I ODJELJCI



Ovo je samo informativni prikaz dijelova uređaja.  
Dijelovi se mogu razlikovati prema modelu uređaja.

1. Ručica termostata
2. Police hladnjaka
3. Poklopac pretinca za održavanje svježine
4. Pretinci za održavanje svježine
5. Lijeva i desna nožica
6. Polica za boce
7. Police na vratima
8. Držać jaja

1. Ručica termostata
2. Police hladnjaka
3. Poklopac pretinca za održavanje svježine
4. Pretinci za održavanje svježine
5. Polica za boce
6. Police na vratima
7. Poklopac polica za maslac
8. Držać jaja

\* na određenim modelima

## Upute za postavljanje i promjena smjera otvaranja vrata za verzije sa šarkama vodilice

! Preporučuje se da instalaciju obavlja ovlašteno tehničko osoblje

! Prije postavljanja pažljivo pročitajte upute.

! Hladnjak/zamrzivač postavljajte isključivo stabilne kuhinjske jedinice.

! Dimenzije uređaja promijenio je materijal ili rez **vratašca**<sup>1</sup>.

1. Ako je rez vratašca<sup>1</sup> od plastike, dimenzije ormarića pogledajte u (Tablici.1/B1).

2. Ako je rez vratašca<sup>1</sup> metalan, dimenzije ormarića pogledajte u (Tablici.1/B2).

! Ako je potrebno, smjer otvaranja vrata promijenite prema uputama.

1. Na sl. A pogledajte potrebne sastavne dijelova priključivanja.

2. Umetnite rez **vratašca**<sup>1</sup> u utor i pričvrstite **vijcima**<sup>6</sup>. (sl. D)

3. Provedite kabel napajanja kroz otvor za ventilaciju i postavite ga tako da se uređaj lako može ukopčati kada se postavi. (sl. B – sl. C)

4. Izvadite **brtvu reza**<sup>4</sup> koja se nalazi na bočnoj ploči uređaja i postavite je na stranu suprotno od šarki vrata uređaja. (sl. D – sl. E)

5. Uređaj podignite i klizno ga pomaknite u kuhinjsku jedinicu.

6. Uređaj gurnite na suprotnu stranu od šarki vrata tako da **brtva reza**<sup>2</sup> pokriva prostor između uređaja i kuhinjske jedinice.

7. Prednje nožice poravnajte s prednjom površinom kuhinjske jedinice. (sl. F)

8. Prednje nožice zavijte s **vijcima**<sup>5</sup>. (sl. F)

9. Zavijte **rez vratašca**<sup>1</sup> na kuhinjsku jedinicu s pomoću **vijaka**<sup>5</sup>. (sl. G)

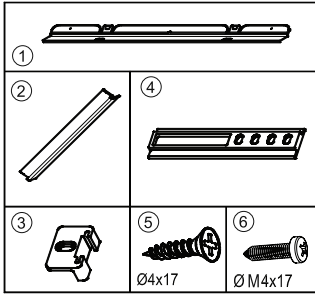
10. Zavijte **vodilice**<sup>3</sup> na vrata uređaja s pomoću **vijaka**<sup>6</sup>. (sl. H)

11. Naslonite vrata uređaja na vrata jedinice jer su otvorena pod pravim kutom.

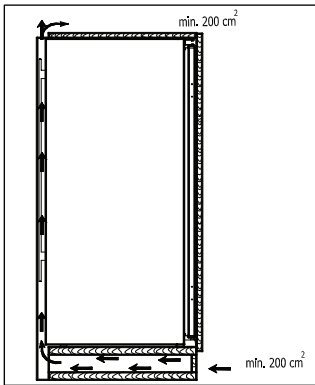
12. Klizno pomaknite šine<sup>4</sup> u **vodilice**<sup>3</sup> poravnavajući utor. (sl. H)

13. Zavijte **šine**<sup>4</sup> na vrata jedinice s pomoću **vijaka**<sup>5</sup>. (sl. H)

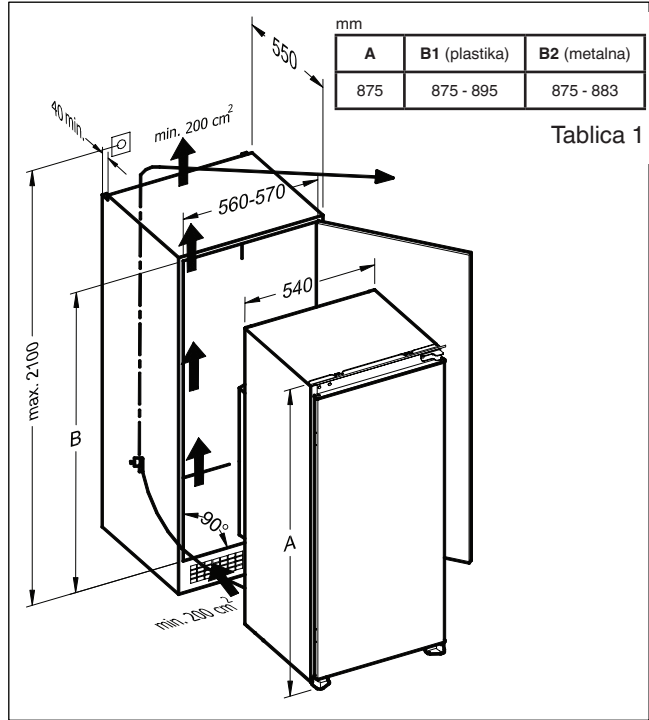
14. Postavite razmak 1~2 mm na strani ručke između same jedinice i jedinice vrata podešavajući **vodilice**<sup>3</sup>. To je ključno za učinkovitost uređaja. (sl. H)



Slika A

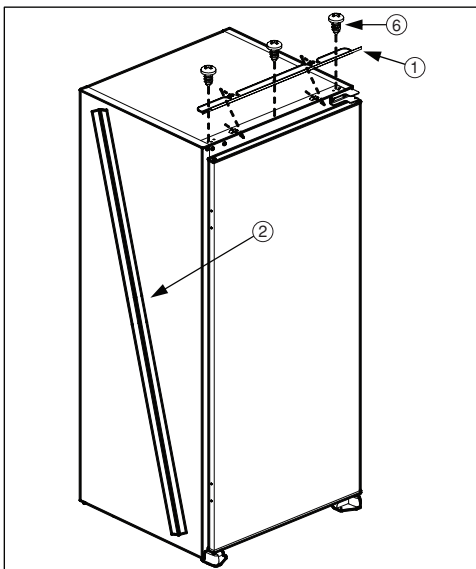


Slika B

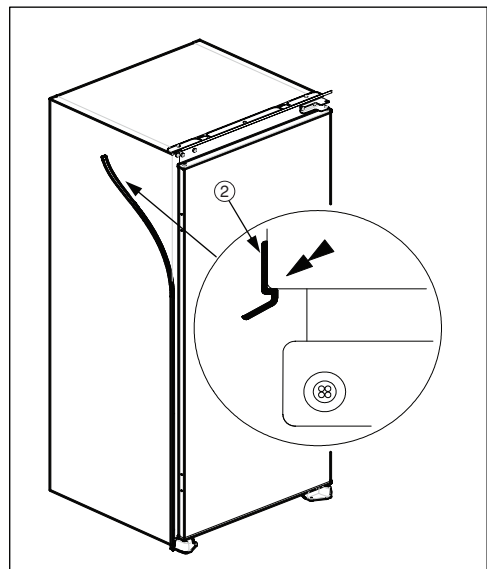


Tablica 1

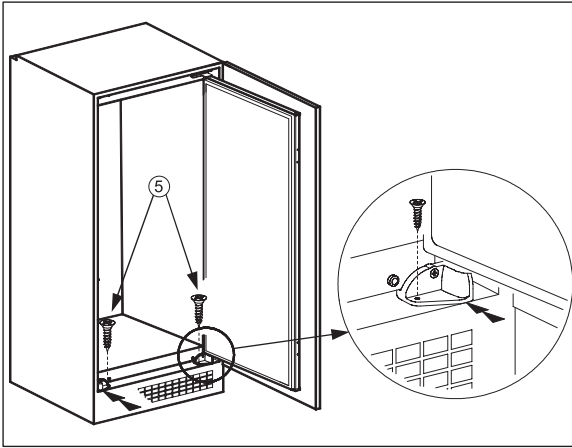
Slika C



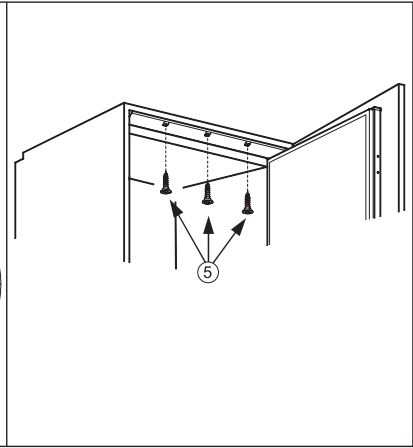
Slika D



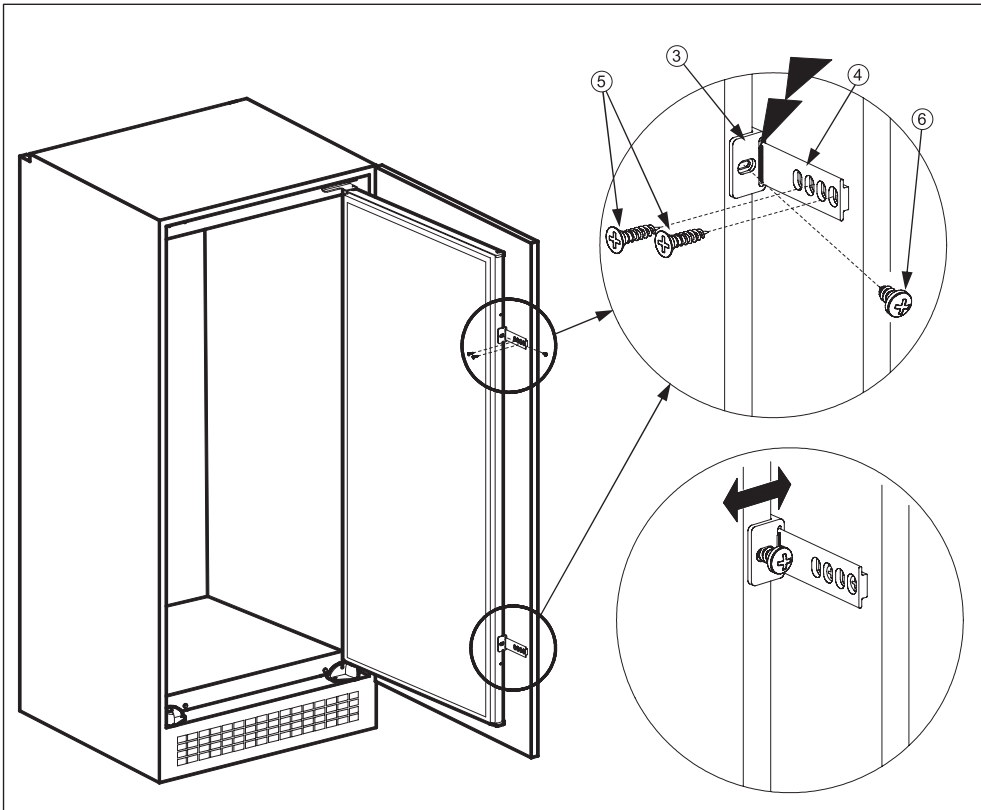
Slika E



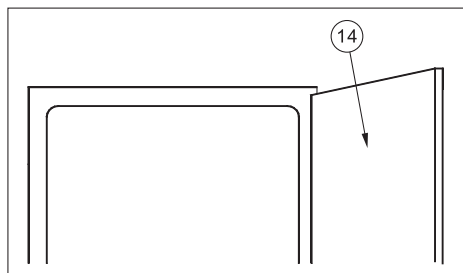
Slika F



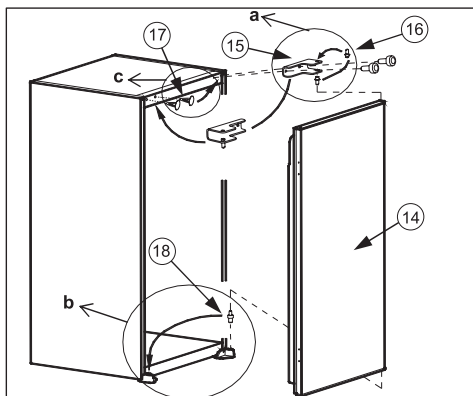
Slika G



Slika H



Slika J



Slika K

### Promjena smjera otvaranja vrata

1. Otvorite **vrata uređaja**<sup>14</sup>. (sl. J)
2. Rastavite **šarku vrata**<sup>15</sup> i stavite **vrata uređaja**<sup>14</sup> na sigurno mjesto. (sl. K)
3. Odvijte **zatic šarke vrata**<sup>16</sup> i zavijte ga čvrsto na suprotnu stranu i stavite na sigurno. (sl. K.a)
4. Stavite **donji zatic vrata**<sup>18</sup> na suprotnu stranu. (sl. K.b)
5. Stavite **čepove otvora**<sup>17</sup> na suprotnu stranu. (sl. K.c)
6. **Vrata uređaja**<sup>14</sup> postavite preko **donjeg zatika vrata**<sup>18</sup> i umetnite **zatic šarke vrata**<sup>16</sup> u otvor šarke na **vratima uređaja**<sup>14</sup> te zatim čvrsto zavijte **šarku uređaja**<sup>15</sup> na suprotnu stranu u originalni položaj. (sl. K)



## Upute za postavljanje proizvoda sa šarkama Hettich

! Preporučuje se da ovu instalaciju obavlja ovlašteno tehničko osoblje.

! Prije postavljanja pažljivo pročitajte upute.

! Hladnjak/zamrzivač postavljajte isključivo stabilne kuhinjske jedinice.

! Dimenzije uređaja promijenio je materijal ili rez **vratašca**<sup>1</sup>.

1. Ako je rez vratašca <sup>(1)</sup> od **plastike**, dimenzije ormarića pogledajte u (Tablici.1/B1).

2. Ako je rez vratašca <sup>(1)</sup> od **metala**, dimenzije ormarića pogledajte u (Tablici.1/B2).

! Ako je potrebno, smjer otvaranja vrata promijenite prema uputama.

1. Na sl. A pogledajte potrebne sastavne dijelova priključivanja.

2. Otvorite pakiranje. **Uzmite razmačnik brtve** <sup>(9)</sup> i prelomite na tri dijela kako je prikazano na slici D. Srednji je dio **šina za vješanje vrata**<sup>(10)</sup>. Ostala dva dijela su **razmačnici vrata** <sup>(11)</sup> jedinice. (sl. D)

3. Umetnite **rez vratašca**<sup>(1)</sup> u utor i zavite ga **vijcima**<sup>(8)</sup>. (sl. E)

4. Provedite kabel napajanja kroz otvor za ventilaciju i postavite ga tako da se uređaj lako može ukopčati kada se postavi. (sl. B – sl. C)

5. Prerežite **brtvu reza**<sup>(4)</sup> na visini utora i postavite na stranu suprotno od šarki vrata uređaja. (sl. E)

6. Uređaj podignite i klizno ga pomaknite u kuhinjsku jedinicu.

7. Naslonite uređaj na kuhinjsku jedinicu kroz šarke i poravnajte prednje nožice s prednjom površinom kuhinjske jedinice. (sl. F)

8. Otvorite vrata uređaja i zavijte prednje nožice **vijcima**<sup>(7)</sup>. (sl. G)

9. Zavijte **rez vratašca**<sup>(1)</sup> na kuhinjski jedinicu **vijcima**<sup>(7)</sup>. (sl. G)

10. Zavijte šarke na kuhinjsku jedinicu **vijcima**<sup>(7)</sup>. (sl. G)

11. Zatvorite vrata uređaja. Odvijte i skinite **matice**<sup>(14)</sup>, **podloške**<sup>(13)</sup> i **vijke za podešavanje**<sup>(12)</sup> s vrata uređaja. (sl. H)

12. Skinite foliju s ljepljivog dijela na **šinama za vješanje vrata**<sup>(10)</sup>. Postavite **šine za vješanje vrata**<sup>(10)</sup> na vrata uređaja tako da izbočine umetnete u otvore vrata uređaja poravnavajući prednje površine **šina za vješanje vrata**<sup>(10)</sup> i vrata uređaja tako da budu paralelno. Zalijepite **šine za vješanje vrata**<sup>(10)</sup> na vrata uređaja. (sl. H)

13. Skliznite **vješalicu vrata**<sup>(2)</sup> u **šine za vješanje**<sup>(10)</sup> vrata. (sl. J – sl. K)

14. Skinite foliju s ljepljivog dijela na prednjoj strani **vješalice vrata**<sup>(2)</sup>.

15. Skinite foliju s ljepljivog dijela na razmačnicima vrata<sup>(11)</sup> i zalijepite je na vrata jedinice (15), što bliže gornjim kutovima. (sl. K)

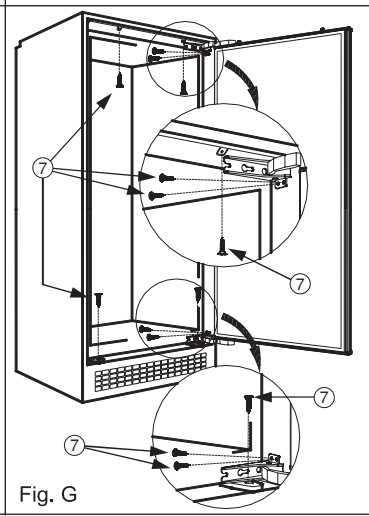
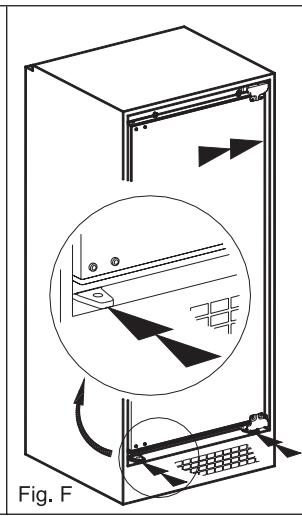
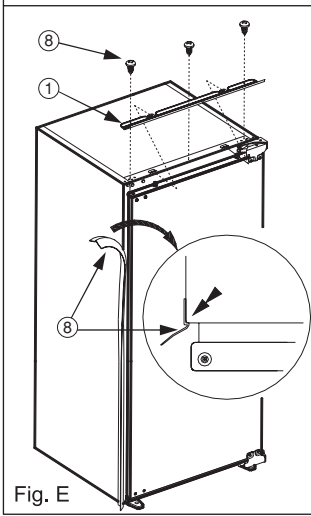
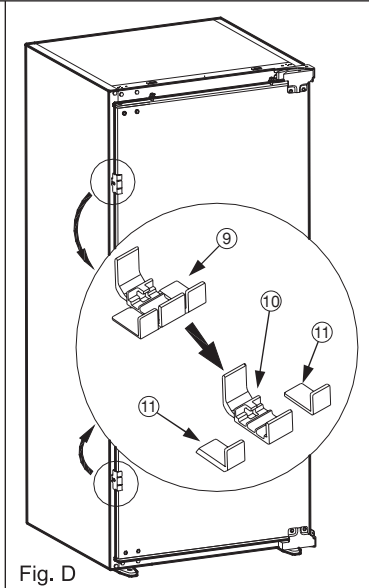
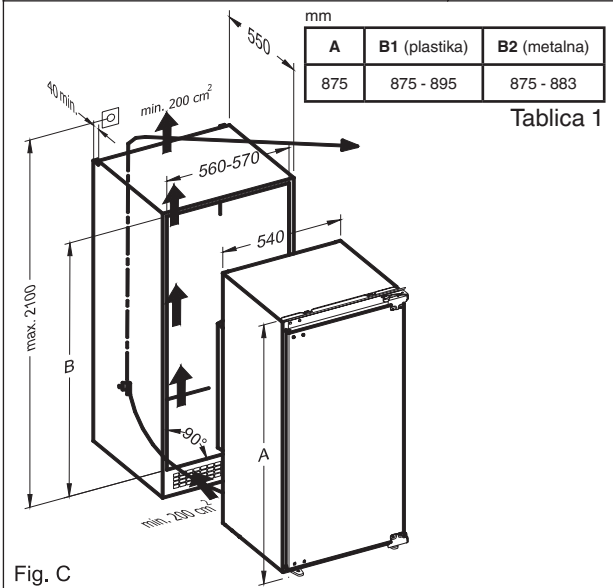
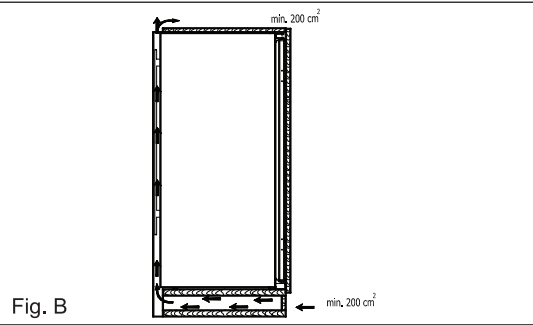
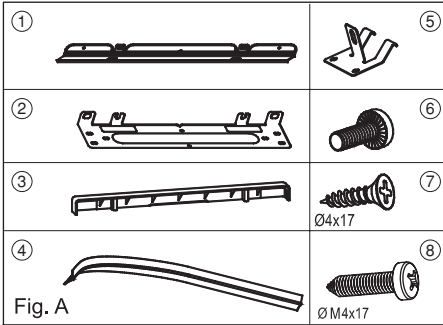
16. Nagnite **vrata jedinice**<sup>(15)</sup> na **vješalicu vrata**<sup>(2)</sup>, poravnavajući **razmačnike vrata jedinice**<sup>(11)</sup> u lijevom, desnom i gornjem rubu sa stranicama jedinice ili vratima koja su bliže gornjim kuhinjskim jedinicama. (sl. K)

17. Provjerite da su **vrata jedinice**<sup>(15)</sup> prilijepljena na **vješalicu vrata**<sup>(2)</sup>. Povucite **vrata jedinice**<sup>(15)</sup> omogućujući da **vješalicu vrata**<sup>(2)</sup> isklizne iz **šina za vješanje**<sup>(10)</sup> vrata. Provjerite ostaje li **vješalicu vrata**<sup>(2)</sup> prilijepljena na **vrata jedinice**<sup>(15)</sup>. (sl. L)

18. Položite **jedinicu vrata**<sup>(15)</sup> na pod i zavijte **vješalicu vrata**<sup>(2)</sup> na **vrata jedinice**<sup>(15)</sup> **vijcima**<sup>(7)</sup>. (sl. L)

19. Da biste zaobišli pogreške na namještaju, isporučuju se **plastični razmačnici**<sup>(A)</sup> postavljajući na **vješalicu vrata**<sup>(2)</sup>. Skinite te **plastične razmačnike**<sup>(A)</sup>. (sl. M)

20. Skinite **šine za vješanje vrata**<sup>(10)</sup> s vrata uređaja. Zavijte **vijke za podešavanje**<sup>(12)</sup> u otvore vrata uređaja ostavljajući potreban razmak s pomoću **razmačnika vrata jedinice**<sup>(11)</sup>. (sl. N)
21. Otvorite vrata uređaja. Postavite **vrata jedinice**<sup>(15)</sup> na vrata uređaja tako da vijke za podešavanje (12) umetnete u otvore na **vješalici vrata**<sup>(2)</sup>. (sl. N)
22. Postavite podloške<sup>(13)</sup> i zavijte **matice**<sup>(14)</sup> na **vijke za podešavanje**<sup>(12)</sup>. (sl. N)
23. Razmak 1~2 mm između same jedinice i vrata uređaja ključan je za učinkovitost uređaja. Zatvorite vrata i točno namjestite **vrata jedinice**<sup>(15)</sup> tako da zavijete ili odvijete **vijke za podešavanje**<sup>(12)</sup> za okomito namještanje i s pomoću otvora na **vješalici vrata**<sup>(2)</sup> u ostalim smjerovima. (sl. P1)
24. Postavite **donja pričvršćenja vrata**<sup>(5)</sup> na dno vrata uređaja između vrata uređaja i **vrata jedinice**<sup>(15)</sup>. Zavijte **donja pričvršćenja vrata**<sup>(5)</sup> na vrata uređaja s pomoću **vijaka**<sup>(6)</sup>. (sl. O)
25. Zavijte **donja pričvršćenja vrata**<sup>(5)</sup> na **vrata jedinice**<sup>(15)</sup> **vijcima**<sup>(7)</sup>. (sl. O)
26. Da biste podesili razmak između gornjih **vrata**<sup>(15)</sup> jedinice i same jedinice, odvijte **vijke**<sup>(6)</sup> zatim podesite razmak između **gornjih vrata uređaja**<sup>(19)</sup> i **gornjih vrata jedinice**<sup>(15)</sup> s pomoću učinka opruge **donjih pričvršćenja vrata**<sup>(5)</sup> dok zavijate **vijke**<sup>(6)</sup>.
27. Klizno pomaknite **pokrov vješalice**<sup>(3)</sup> na **vješalicu vrata**<sup>(2)</sup>. (sl. P2)



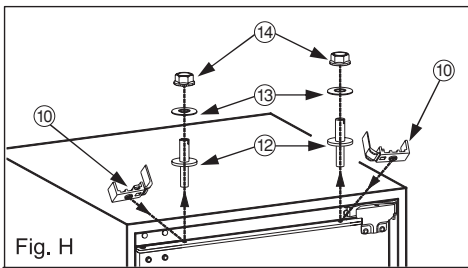


Fig. H

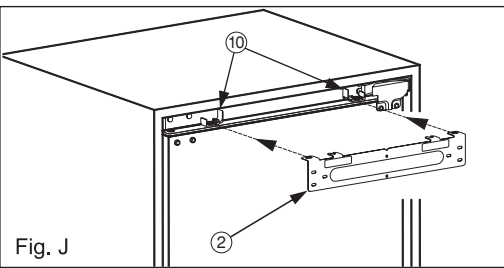


Fig. J

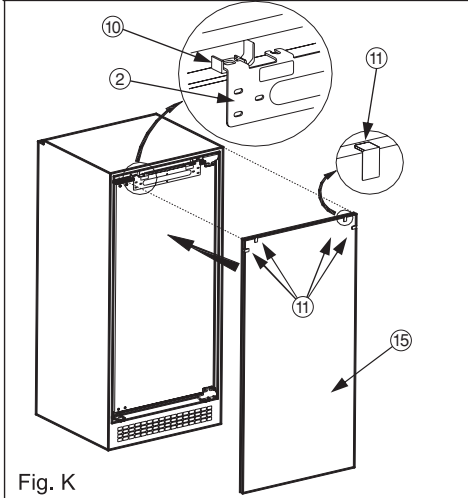


Fig. K

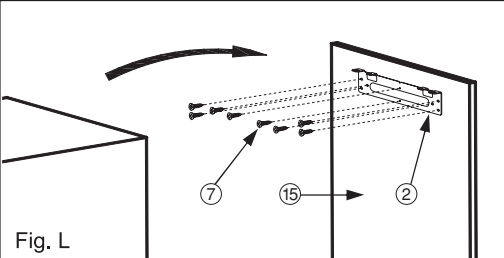


Fig. L

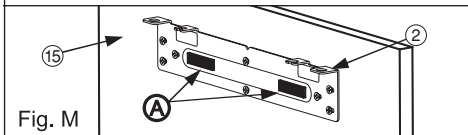


Fig. M

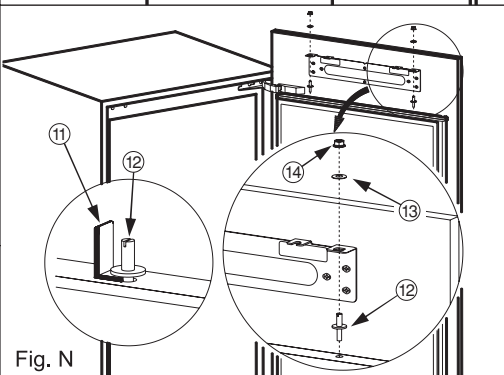


Fig. N

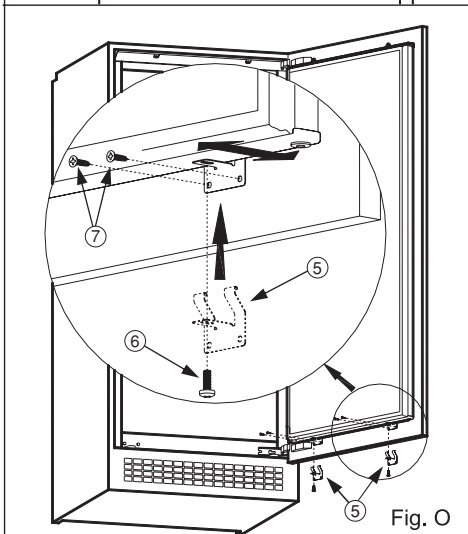


Fig. O

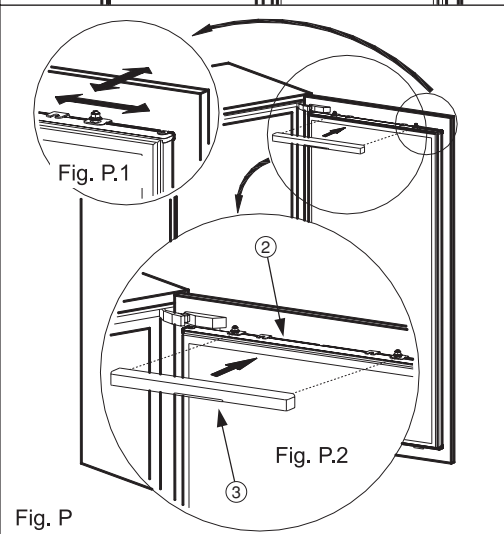


Fig. P

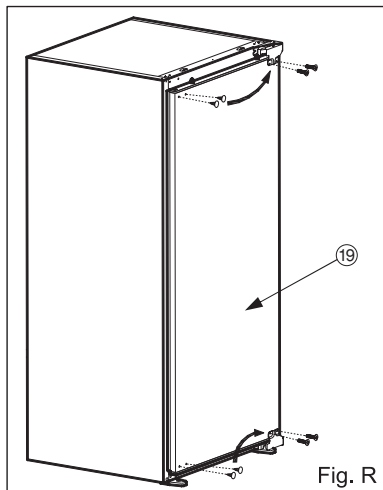


Fig. R

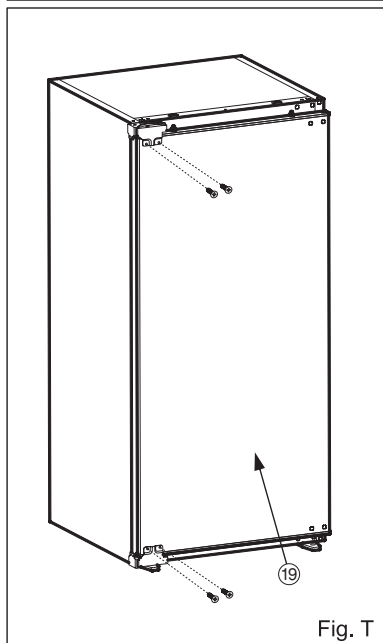


Fig. T

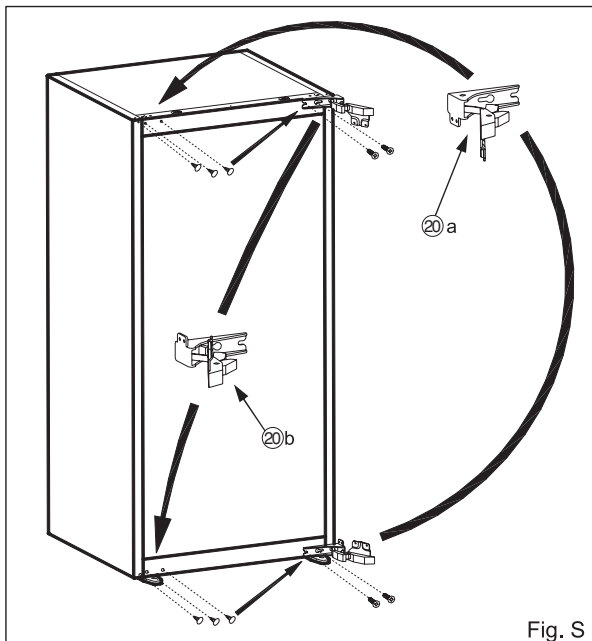


Fig. S

### Promjena smjera otvaranja vrata

**! Pazite da ne priklješćite prste u šarke (gornja šarka vrata<sup>(20-a)</sup> i donja šarka vrata<sup>(20-b)</sup>).**

1. Otvorite vrata uređaja<sup>(19)</sup>. (sl. P)
2. Odvijte vijke na prednjoj površini uređaja vrata<sup>(19)</sup>. Vrata uređaja<sup>(19)</sup> stavite na sigurno. (sl. S)
3. Pomaknite čepove otvora na prednju površinu vrata uređaja<sup>(19)</sup>, tako da su otvori na obrnutoj strani (sl. S)
4. Otvorite gornju šarku vrata<sup>(20-a)</sup> i donju šarku vrata<sup>(20-b)</sup>. (sl. S) i rastavite ih. (sl. T)
5. Pomaknite čepove otvora na suprotnu stranu. (sl. T)
6. Sastavite gornju šarku vrata<sup>(20-a)</sup> i donju šarku vrata<sup>(20-b)</sup> u kutovima nasuprot njihova početnog položaja. (sl. T)

## 1. ČÁST PŘED POUŽITÍM PŘÍSTROJE

### Obecná upozornění

**! VAROVÁNÍ:** Větrací otvory udržujte bez překážek.

**! VAROVÁNÍ:** Nepoužívejte mechanické nástroje nebo jiné prostředky k urychlení procesu odmrazení s výjimkou těch, které doporučuje výrobce..


**! VAROVÁNÍ:** V prostoru pro skladování potravin nepoužívejte elektrické spotřebiče, s výjimkou těch, které doporučuje výrobce.

**! VAROVÁNÍ:** Nepoškodte chladicí okruh.

**! VAROVÁNÍ:** Abyste předešli nebezpečí z důvodu nestability spotřebiče, je třeba hu upevnit v souladu s pokyny.

**! VAROVÁNÍ:** Když umístíte spotřebič, ujistěte se, že není elektrický kabel zauzlovaný nebo poškozený.

**! VAROVÁNÍ:** Neumísťujte žádné vícenásobné rozbočovací zásuvky ani přenosné zdroje napájení na zadní část spotřebiče.

 Pokud vaše chladnička používá jako chladivo R600 - bude to vyznačeno na štítku na chladicím zařízení- musíte si dát pozor během přepravy a montáže, aby nedošlo k poškození chladicích prvků spotřebiče. I když je R600a ekologický a přírodní plyn, je výbušný. Pokud dojde k velkému úniku z důvodu poškození chladicích prvků, přemístěte chladničku od otevřeného ohně nebo zdrojů tepla a místnost, v níž je spotřebič umístěný, několik minut větrejte.

- Během přenášení a umístování chladničky dejte pozor, abyste nepoškodili chladicí okruh plynu.
- Neskladujte výbušné substance, např. plechovky s aerosolem, neboť ty mohou v tomto spotřebiči způsobit vznik požáru.
- Tento spotřebič je určený k použití v domácnosti a podobných zařízeních, např. ;
  - kuchyňky pro zaměstnance v obchodech, kancelářích a ostatních pracovních prostředích

- pro klienty v hotelech, motelech a ostatních obytných prostorech
- pro klienty v penzionech;
- pro catering a ostatní podobná prostředí
- Pokud zásuvka neodpovídá zástrčce chladničky, musí ji vyměnit výrobce, jeho servis nebo podobně kvalifikované osoby, aby se tak předešlo nebezpečí.
- Speciálně uzemněná zástrčka byla připojena k napájecímu kabelu vaší chladničky. Tato zástrčka musí být použita se speciálně uzemněnou zástrčkou s 16 ampéry. Nemáte-li doma takovou zásuvku, nechte ji nainstalovat autorizovaným elektrikářem.
- Tento spotřebič mohou používat děti starší 8 let a osoby s omezenými tělesnými, smyslovými nebo mentálními schopnostmi anebo osoby bez příslušných znalostí a zkušeností, pokud jsou pod dozorem nebo byly poučeny o bezpečném užívání tohoto přístroje a chápou související nebezpečí. Děti si nesmí se spotřebičem hrát. Čištění a údržba nesmí být prováděny dětmi bez dohledu dospělé osoby.
- Děti ve věku od 3 do 8 let smí nakládat a vykládat chladicí spotřebiče. Děti nemají provádět údržbu nebo čištění spotřebiče, velmi malé děti (0 – 3 let) nemají používat spotřebič, malé děti (3 – 8 let) nemají používat spotřebič, pokud jsou bez stálého dozoru, starší děti (8 – 14 let) a lidé s omezenými fyzickými nebo duševními schopnostmi mohou používat spotřebiče bezpečně, pokud jsou pod dozorem nebo byli o bezpečném použití spotřebiče náležitě instruováni. Lidé s velice omezenými schopnostmi nemají používat spotřebič, dokud nejsou pod stálým dozorem.
- Pokud je napájecí kabel poškozen, musí jej vyměnit výrobce, jeho servisní zástupce nebo obdobně kvalifikovaná osoba, aby se předešlo riziku.

- Tento spotřebič není určen k použití v nadmořských výškách nad 2000 m.

### **Aby nedošlo ke kontaminaci jídla, dodržujte prosím následující pokyny:**

- Ponechání dvířek v otevřeném stavu po dlouhou dobu může způsobit výrazný nárůst teploty uvnitř oddělení spotřebiče.
- Pravidelně očišťujte povrchy, které přichází do kontaktu s jídlem, a také přístupné odtokové systémy.
- Syrové maso a ryby uchovávejte v chladničce ve vhodných kontejnerech, aby nedocházelo k jejich kontaktu s jinými potravinami nebo ukápnutí na ně.
- Oddělení pro mražené potraviny označená dvěma hvězdičkami jsou vhodná pro uchovávání předem zmražených potravin, uchovávání nebo výrobu zmrzliny a výrobu ledových kostek.
- Oddělení označená jednou, dvěma nebo třemi hvězdičkami nejsou vhodná pro zmrazení čerstvého jídla.
- Pokud chladicí zařízení je ponecháno prázdné po dlouhou dobu, je nutné ho vypnout, rozmrazit, očistit, osušit a ponechat dvířka otevřená, abyste zabránili tvorbě plísní uvnitř spotřebiče.



## Staré a nefunkční lednice

- Pokud má Vaše stará chladnička zámek, před vyřazením jej rozbijte či odstraňte, protožež se tam mohou děti uvěznit a způsobit si poranění.
- Staré chladničky a mrazáky obsahují izolační materiál a chladicí kapalinu s CFC. Proto buďte při vyřazování staré chladničky opatrní, abyste nepoškodili životní prostředí.

Symbol na výrobku nebo jeho balení udává, že tento výrobek nepatří do domácího odpadu. Je nutné odvézt ho do sběrného místa pro recyklaci elektrického a elektronického zařízení.



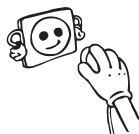
Zajištěním správné likvidace tohoto výrobku pomůžete zabránit negativním důsledkům pro životní prostředí a lidské zdraví, které by jinak byly způsobeny nevhodnou likvidací tohoto výrobku. Podrobnější informace o recyklaci tohoto výrobku zjistíte u příslušného místního úřadu, služby pro likvidaci domovního odpadu nebo v obchodě, kde jste výrobek zakoupili.

## Poznámky:

- Před instalací a používáním spotřebiče pečlivě pročtete návod na použití. **Naše firma není zodpovědná za poškození způsobené nesprávným užíváním.**
- Následujte instrukce na spotřebiči a návod k použití, návod uchovejte na bezpečném místě kvůli vyřešení problémů, které mohou nastat v budoucnosti.
- Tento spotřebič je vyroben pro použití v domácnostech a může být použit pouze v domácnosti a pro stanovené účely. Není vhodné pro komerční nebo jiné účely. Takovéto použití způsobí zrušení záruky na spotřebič a naše firma nebude zodpovědná za způsobené ztráty.
- Tento přístroj je vyroben pro použití v domácnostech a je vhodný pouze pro chlazení/skladování potravin. Spotřebič není vhodný pro komerční a běžné použití a/nebo skladování látek jiných než potraviny. Naše firma není zodpovědná za ztráty způsobené při takovémto používání.

## Bezpečnostní upozornění

- Nepoužívejte vícenásobné zásuvky nebo prodlužovací kabel.
- Nezapojte poškozené, přetržené či staré zástrčky.
- Za kabel nikdy netahejte, neohýbejte ho či ho neničte.



- Nenechávejte děti hrát si s lednicí nebo věšet se na dveře, tento spotřebič je určen pro použití dospělými.
- Nezapojte či nevypojte zástrčku mokřými rukama, předejete tak úrazu elektrickým proudem.



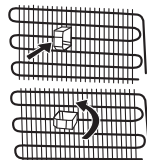
- Do lednice nevkládejte výbušný či zápalný materiál.
- Nápoje s vyšším obsahem alkoholu vkládejte do lednice svisle a uzavřené.
- Tělo či vrchní část lednice nepřekrývejte tkaninou. Ovlivňuje to výkon lednice.
- Při stěhování lednice upevněte vybavení tak, aby se nerozbilo.
- Neopoužívejte zásuvkové adaptéry.



## Instalace a obsluha lednice

*Před použitím lednice věnujte pozornost následujícím bodům:*

- Provozní napětí lednice je 220-240 V na 50 Hz.
- Za škody vzniklé neuzemněnou zásuvkou neneseme odpovědnost.
- Lednici umístěte na místo, kde nebude vystavena přímému slunečnímu záření.
- Spotřebič musí být alespoň 50 cm od zdrojů tepla, jako jsou vařiče, trouby, radiátory a plotny a alespoň 5 cm od elektrických sporáků.
- Lednice nesmí nikdy být používána venku a ponechána na dešti.
- Pokud je lednice umístěna vedle mrazáku, ponechte mezi jednotkami mezeru minimálně 2 cm. Předejdete tak vlhkosti na vnějším povrchu.
- Na lednici nic nepokládejte a lednici umístěte tak, aby bylo nad lednicí místo alespoň 15 cm.
- Nastavitelné přední nohy by měly být nastaveny aby byl spotřebič vyrovnaný a stabilní. Nohy lze nastavit otočením ve směru hodinových ručiček (nebo v opačném směru). Učiňte tak před umístěním potravin do lednice.
- Před prvním použitím lednice všechny části utřete teplou vodou se sodou, poté pláchněte a vysušte. Po vyčištění vraťte všechny části zase zpět do lednice.
- Namontujte plastové rozpěry (část s černými žebry na zadní straně) otočením o 90° tak, jak je ukázáno na obrázku, zabráníte tak tomu, aby se kondenzátor dotýkal stěny.
- Chladnička by měla být umístěna u zdi s volnou vzdáleností 75 mm.



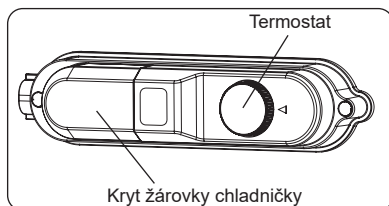
## Před prvním použitím lednice

- Pokud používáte lednici poprvé nebo po převozu, ponechte lednici postavenou po třech hodinách a zapojte ji. Jinak se může poškodit kompresor.
- Při prvním použití se může z lednice linout smrad, který ovšem zmizí po schlazení lednice.



## 2. ČÁST RŮZNÉ FUNKCE A MOŽNOSTI

### Seřízení termostatu



- Termostat automaticky reguluje vnitřní teplotu chladicího prostoru chladničky. Otáčením spínače z pozice 1 až do pozice 5 získáváte chladnější teplotu uvnitř.
- « • » pozice ukazuje že termostat je vypnut a chlazení také.
- Pro krátkodobé skladování potravin v chladicího, seřídte spínač mezi pozici 1 –3 dle potřeby.
- Pro dlouhodobé skladování potravin v chladicího, seřídte spínač na polohu 3 nebo 4.

### Varování při nastavení teploty

- Okolní teplota, teplota čerstvě skladovaných potravin a časté otvírání dveří ovlivňuje teplotu v prostoru chladničky. V případě potřeby změňte nastavení teploty.
- Nedoporučuje se, abyste chladničku používali v prostředí, kde je teplota nižší než 10 °C .
- Při nastavení termostatu je třeba vzít v úvahu jak často se dveře mrazničky otevírají a zavírají, kolik jídla se v mrazničce skladuje a prostředí, v kterém je spotřebič umístěn.
- Doporučujeme, aby první spuštění chladničky-mrazničky nebylo přerušováno po dobu 24 hodin a zajistilo se tak, že je důkladně vychlazená. Po tuto dobu neotevírejte dveře chladničky-mrazničky ani do ní nevkládejte potraviny.
- Vaše chladnička-mraznička má vestavěnou funkci 5 minutové prodlevy, která brání poškození kompresoru. Když se chladnička-mraznička zapojí do sítě, její provoz se spustí po 5 minutách.
- Vaše chladnička je navržena tak, aby pracovala v intervalech uvedených ve standardech, v souladu s třídou uvedenou na informačním štítku. Nedoporučuje se, abyste chladničku spouštěli v prostředí mimo uvedené teplotní intervaly, a neovlivnili tak účinnost chlazení.
- Tento spotřebič je navržen k použití při okolní teplotě v rozmezí 10 °C - 43 °C.

### Klimatická třída a význam:

**T (tropická):** Tato chladnička je určena k použití při okolní teplotě od 16 °C do 43 °C.

**ST (subtropická):** Tato chladnička je určena k použití při okolní teplotě od 16 °C do 38 °C.

**N (normální):** Tato chladnička je určena k použití při okolní teplotě od 16 °C do 32 °C.

**SN (subnormální):** Tato chladnička je určena k použití při okolní teplotě od 10 °C do 32 °C.

### 3. ČÁST SKLADOVÁNÍ POTRAVIN VE SPOTŘEBIČI

#### Chladnička

Prostor chladničky se používá ke skladování čerstvých potravin po dobu několika dnů.

- Potraviny nevkládejte tak, aby byly v přímém kontaktu se zadní stěnou prostoru chladničky. Okolo potravin nechte určitý prostor, abyste tak umožnili cirkulaci vzduchu.
- Nevkládejte do chladničky horké potraviny nebo nápoje.
- Potraviny vždy skladujte v uzavřených nádobách nebo zabalené.
- Abyste snížili vlhkost a následnou tvorbu námrazy, nikdy neumísťujte kapaliny do neutěsněných nádob.
- Maso všech typů, zabalené do sáčků, se doporučuje vložit na skleněnou policičku nad zásuvkou na zeleninu, kde je vzduch chladnější.
- Ovoce a zeleninu můžete vkládat do crisperu nezabalené.
- Abyste předešli úniku chladného vzduchu, neotevírejte dveře příliš často a nenechávejte je dlouho otevřené.
- Za normálnych prevádzkových podmienok bude dostatočné upraviť nastavenie teploty chladničky na +4 °C.
- Teplota chladiaceho priestoru musí byť v rozmedzí 0 – 8 °C, čerstvé potraviny sa pri teplote nižšej ako 0 °C pokryjú ľadom a pokazia sa, bakteriálne zaťaženie sa zvyšuje nad 8 °C a potraviny sa pokazia.
- Horúce potraviny nekladajte do chladničky ihneď, počkajte, kým teplota vyprchá. Horúce potraviny zvyšujú stupeň chladničky a spôsobia otravu jedlom a zbytočné pokazenie potravín.
- Mäso, ryby atď. sa musia uchovávať v chladiacom priestore na potraviny a priehradka na zeleninu sa uprednostňuje na zeleninu (ak je dostupná).
- Na zamedzenie krížovej kontaminácii neskladujte mäsové výrobky spolu s ovocím a zeleninou.
- Potraviny vkladajte do chladničky v uzavretých nádobách alebo zakryté, aby sa predišlo vlhkosti a zápachom.

Potraviny	Maximální délka skladování	Do které části chladničky vložit
Ovoce a zelenina	1 týden	Zásuvka na zeleninu
Maso a ryby	2 - 3 dny	Zakryté plastovou fólií nebo sáčky nebo v boxu na maso (na skleněné policiče)
Čerstvý sýr	3 - 4 dny	Ve speciální policiče ve dveřích
Máslo a margarín	1 týden	Ve speciální policiče ve dveřích
Produkty v lahvičích mléko a jogurt	Do expirace doporučené výrobcem	Ve speciální policiče ve dveřích
Vejce	1 měsíc	V zásobníku na vejčička
Vařené potraviny	2 dny	Všechny policičky

## 4. ČÁST ČIŠTĚNÍ A ÚDRŽBA

- Vypněte přístroj ze zdroje el. proudu před čištěním.



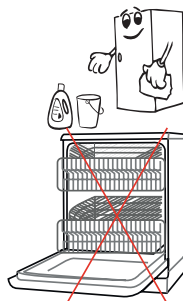
- Nepoužívejte pro čištění tlakovou vodu ani ji nenalévejte dovnitř.



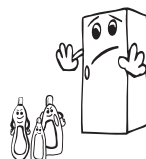
- Chladnička by měla být periodicky čistěna prostředky k tomu určenými



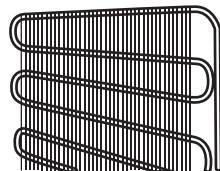
- Čistěte části přístroje odděleně nejlépe vodou a mýdlem neukládejte je do pracích či mycích přístrojů.



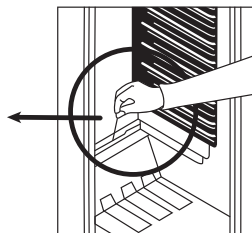
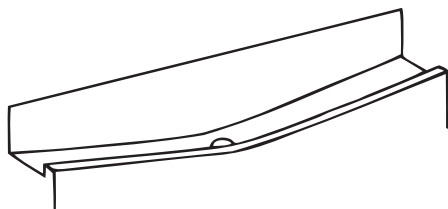
- Nepoužívejte abrazivní prostředky, detergenty nebo mýdla. Po umytí dílů opláchněte je čistou vodou a nechte řádně vysušit. Jakmile ukončíte čištění a chladnička je opět suchá můžete ji znovu připojit ke zdroji elektrického proudu.



- Měli byste čistit výpaerník na zadní stěně přístroje alespoň dvakrát do roka – ušetříte tím elektrickou energii a dosáhnete lepší využitelnosti chladničky s mrazničkou.



## Odmrazování chladnička bez mrazničky



- Odmrazování se děje uvnitř ledničky automaticky v průběhu chodu; odmrazená voda se stahuje do odpařovací misky kde se ztrácí do ovzduší.
- Vypouštěcí otvor odpařovací misky je potřeba periodicky kontrolovat, aby se voda neshromažďovala ale odtékala.
- Můžete ji zalít ½ skleničky vody do misky aby se uvnitř vyčistila.

## Výměna žárovky

### Když vyměňujete žárovku;

1. Odpojte přístroj od zdroje proudu,
2. Zmáčkněte háčky po stranách krytu světla a vyjměte kryt světla
3. Zaměňte žárovku za novou s maximálním napětím 15 W.
4. Namáčkněte zpět kryt světla a počkejte 5 minut před znovuzapnutím přístroje.

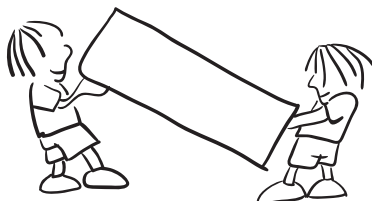
## Výměna světel LED

Má-li vaše chladnička-mraznička osvětlení LED, kontaktujte help-desk, neboť taková světla smí vyměnit pouze autorizovaný servisní technik.

## 5. ČÁST PŘEPRAVA A PŘEMÍSTĚNÍ

### Doprava a manipulace s chladničkou

- Původní balení a polystyrenovou pěnu zlikvidujte dle ekologických předpisů.
- Při transportu přístroje dbejte pokynů umístěných na obalu chladničky.
- Před transportem upevněte uvnitř všechny pohyblivé části chladničky nebo je vyndejte ven.



### Změna směru otevírání dveří (U některých modelů)

V případě že potřebujete zaměnit směr otevírání dveří, prosím zavolejte si příslušného odborného mechanika.

## 6. ČÁST PŘEDTÍM NEŽ BUDETE VOLAT OPRAVÁŘE

Když Vaše chladnička řádně nefunguje, může to být malý problém, proto si zkontrolujte následující než zavoláte opraváře:

#### Chladnička neběží, je tichá ;

- Je vypnut přívod elektrické energie,
- Máte vypnuty jističe nebo pojistky ,
- Termostat je v poloze “•” ,
- Vadná zásuvka. Abyste ji přezkoušeli, zapněte do ní jiný přístroj o kterém víte že funguje.

#### Chladnička nedostatečně chladí ;

- Zkontrolujte jestli není chladnička přeložená potravinami,
- Dveře jsou řádně uzavřeny, těsnění není poškozeno ,
- Výparník není zaprášený ,
- Je dostatečné místo mezi výparníkem a stěnou.

#### Pokud hlučí;

Chladicí plyn který koluje v chladničce může způsobovat slabý bublající zvuk Obzvláště když neběží kompresor. Tento jev je normální. Pokud máte dojem že se běžný zvuk změnil, zkontrolujte zda ;

- Chladnička je dobře vodorovně vyvážena ,
- Nic se nedotýká zádí ,
- Věci odložené na chladničku nevibrují.

#### Pokud se objevuje voda v dolní části chladničky;

## **Zkontrolujte zda;**

Výpustní otvor není ucpan (použijte odmrazovací vypouštěcí zátku k vyčištění)

## **Doporučení**

- Abyste zvětšili prostor a zlepšili vzhled, je “chladicí část” tohoto spotřebič umístěna v zadní části prostoru chladničky. Když je spotřebič spuštěný, je tato stěna pokryta zmraženými kapkami vody, podle toho, zda je kompresor spuštěný nebo ne. Nemějte žádné obavy. To je zcela normální. Spotřebič musí být odmrazen pouze je-li na stěně nadměrně silná vrstva.
- Pokud spotřebič nepoužíváte po delší dobu (během dovolené), odmrazte a vyčistěte chladničku před odjezdem, dveře nechte otevřené, abyste předešli vytvoření zápachu.
- Pro úplné vypnutí spotřebiče odpojte kabel ze zásuvky (po čištění a při ponechání otevřených dveří).

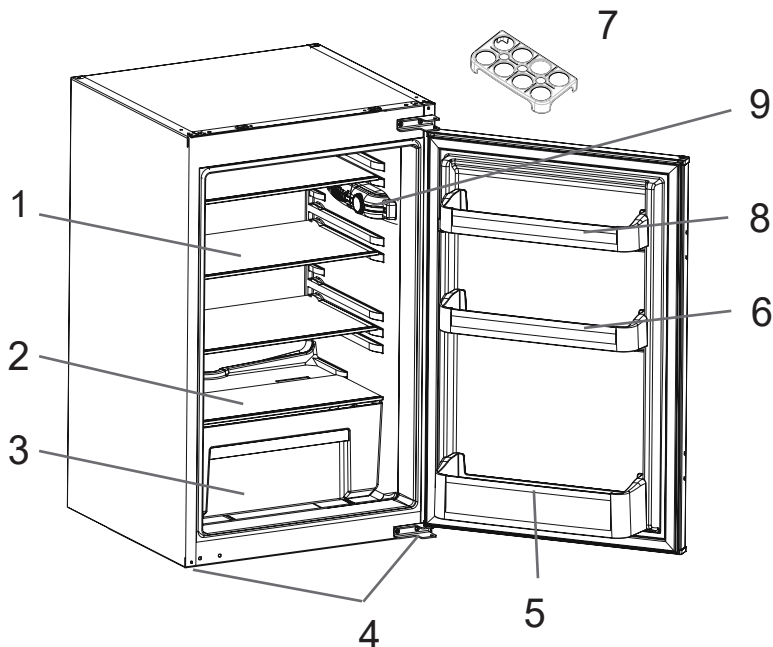
## **Jak ušetřit energii**

- 1- Umístěte přístroj do studené, řádně větrané místnosti, nikoli na přímé slunce ani do blízkosti zdrojů tepla (topení, vařič atd.). V takovém případě použijte izolační desku.
- 2- Nechte teplé potraviny a nápoje vychladnout vně přístroje.
- 3- Pokud do přístroje umísťujete nápoje a zbylé potraviny, musí být přikryty. Jinak se v přístroji zvýší vlhkost. Provozní doba se tudíž zvýší. Přikrytí nápojů a potravin také zachová chuť a vůni.
- 4- Pokud vkládáte nápoje a potraviny do přístroje, nechte dveře otevřené na co nejkratší dobu.
- 5- Udržujte kryty přihrádek rozlišných teplot zavřené. ( přihrádky na čertsvou zeleninu, chladič, atd.)
- 6- Těsnění dveří musí být čisté a pružné. Pokud je těsnění opotřebované, vyměňte ho.



## 7. ČÁST ČÁSTI PŘÍSTROJE A PŘÍSLUŠENSTVÍ

Tento spotřebič není určen k použití jako vestavěné zařízení.



Tato prezentace slouží jen pro informaci o součástkách spotřebiče.  
Součástky se mohou lišit podle modelu spotřebiče.

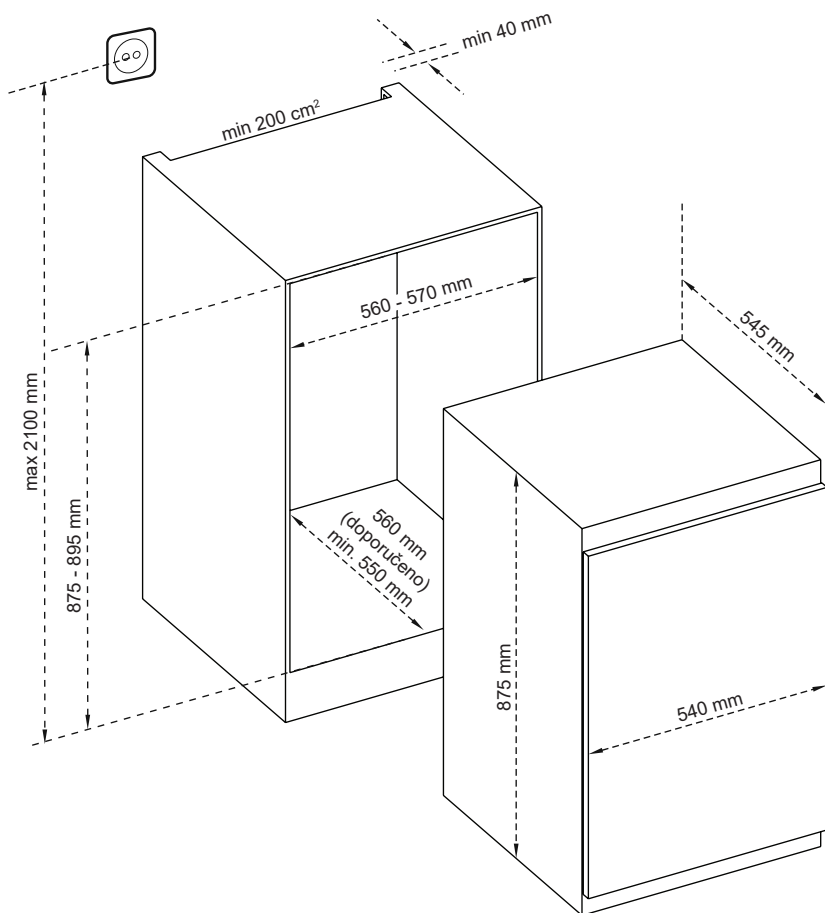
1. Police chladničky
2. Kryt na čerstvé ovoce
3. Prostor pro ukládání čerstvé zeleniny a ovoce
4. Vyrovnávací noha (patka)
5. Polica na lahve
6. Horní policka ve dverích
7. Police na vejce
8. Horní policka ve dverích
9. Vytahovací deska

### Obecné poznámky

**Oddělení pro zmrazené potraviny (Mraznička):** Nejúčinnější využití energie je zajištěno v konfiguraci se zásuvkami a zásobníky ve skladové pozici.

# Rozměry

\* 875 - 883 pro kovový horní kryt



## **ČÁST - 8. TECHNICKÉ ÚDAJE**

Technické údaje jsou uvedeny na typovém štítku uvnitř spotřebiče a na energetickém štítku. QR kód na energetickém štítku dodávaném se spotřebičem poskytuje webový odkaz na informace týkající se výkonu spotřebiče v databázi EU EPREL.

Uchovejte si energetický štítek pro referenční potřeby s návodem k použití a všemi ostatními dokumenty dodanými s tímto spotřebičem.

Rovněž lze tyto informace nalézt v databázi EPREL prostřednictvím odkazu <https://eprel.ec.europa.eu> a pomocí názvu modelu a výrobního čísla, které naleznete na typovém štítku spotřebiče.

Podrobné informace o energetickém štítku naleznete na adrese [www.theenergylabel.eu](http://www.theenergylabel.eu).

## **ČÁST - 9. INFORMACE PRO ZKUŠEBNÍ INSTITUTY**

Instalace a příprava tohoto spotřebiče pro jakékoliv ověřování EcoDesign musí vyhovovat normě EN 62552. Požadavky na větrání, rozměry výklenku a minimální vzdálenosti zadní části od stěn musí odpovídat hodnotám uvedeným v tomto návodu k použití v ČÁSTI 1. Ohledně dalších informací včetně plnicích plánů se obraťte na výrobce.


## **ČÁST - 10. PÉČE O ZÁKAZNÍKY A SERVIS**


Rady ohledně používání, brožury, poradce při potížích, servisní informace:


[www.vestel.com](http://www.vestel.com)


## DEL -1 FØR ENHEDEN TAGES I BRUG


### Generelle advarsler


 **ADVARSEL:** Sørg for at der er tilstrækkeligt plads omkring apparatet til at sikre fri luftcirkulation.


 **ADVARSEL:** Brug ikke spidse eller skarpe genstande til at fremskynde afrimningsprocessen.


 **ADVARSEL:** Brug ikke andre elektriske apparater inden i køle-/fryseskabet

 **ADVARSEL:** Undgå at beskadige kølekredsløbet.

 **ADVARSEL:** Monter apparatet i henhold til producentens anvisninger for at undgå skade på apparatet eller personskade.

 **ADVARSEL:** Ved placering af apparatet skal det sikres, at netledningen ikke klemmes eller beskadiges.

 **ADVARSEL:** Placer ikke flere transportable stikdåser eller transportable strømforsyninger bag på apparatet.

 Hvis dit apparat anvender R600a som kølemiddel - du kan finde oplysninger om dette på etiketten på køleren - skal du være forsigtig under transport og montage for at forhindre, at apparatets køleelementer bliver beskadiget. Selvom R600a er et miljøvenlig og naturlig gas, så er den eksplosiv, og i tilfælde af en lækage som følge af en skade på køleelementerne, skal du flytte køleskabet fra åben ild eller varmekilder og ventilere rummet, hvor apparatet er placeret, i et par minutter.

- Undgå beskadigelse af kølekredsløbet ved transport og montering af køleskabet.
- Undlad at opbevare sprængstoffer, såsom spraydåser med brændbare drivgasser, i dette apparat.
- Apparatet er beregnet til husholdningsbrug og lignende anvendelsesområder, såsom;
  - personalekøkkener i butikker, kontorer og andre arbejdsmiljøer
  - gårde og af gæster på hoteller, moteller og andre

## boligmiljøer

- bed and breakfast-lignende miljøer

- catering og lignende anvendelsesområder uden for detailhandlen

- Hvis stikkontakten ikke passer til køleskabets stik, skal det udskiftes af producenten, en servicetekniker eller lignende kvalificerede personer for at undgå fare.
- Apparatet må ikke anvendes af personer (inklusive børn), som er fysisk, mentalt eller synsmæssigt hæmmede eller som mangler erfaring og viden, medmindre de er blevet instrueret i brug af maskinen af en person, som har ansvaret for deres sikkerhed. Børn skal overvåges for at sikre, at de ikke leger med apparatet.
- Dit køleskab er udstyret med et specielt jordstik. Dette stik skal bruges med et specielt jordet stikdåse på 16 ampere. Hvis der ikke er et sådant stik i dit hus, skal du have det installeret af en autoriseret elektriker.
- Dette apparat kan betjenes af børn på 8 år og ældre og personer som er fysisk, mentalt eller synsmæssigt hæmmet eller uden erfaring eller viden på området, såfremt de holdes under opsyn og er blevet instruerede i sikker håndtering af apparatet samt forstår farerne forbundet hermed. Børn må ikke lege med apparatet. Børn må ikke udføre rengøring og vedligeholdelse uden opsyn.
- Børn fra 3 til 8 år må lægge varer i og tage varer ud af køleapparater. Børn forventes ikke at udføre rengøring eller vedligeholdelse af apparatet. Meget små børn (0-3 år) forventes ikke at bruge apparater. Mindre børn (3-8 år) forventes ikke at kunne bruge apparater på sikker vis, medmindre det sker under supervision. Større børn (8-14 år) og sårbare personer kan bruge apparater sikkert, når de superviseres og har fået den nødvendige vejledning i brugen af apparatet. Meget sårbare personer forventes ikke at bruge apparater på sikker vis, medmindre det sker under supervision.

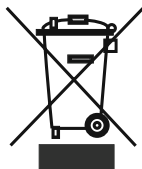
- Hvis ledningen er beskadet, skal den udskiftes af producenten, en servicetekniker eller lignende kvalificerede personer for at undgå fare.
- Dette apparat er ikke beregnet til brug i højder over 2000 m.

### **Følg disse instruktioner for at undgå fødevarerkontaminering:**

- Hvis døren holdes åben i længere tid, kan det medføre, at temperaturen i apparatets rum øges væsentligt.
- Rengør hyppigt overflader, der kan komme i kontakt med fødevarer, og tilgængelige afløbssystemer.
- Opbevar rå kød og rå fisk i egnede beholdere i køleskabet, så disse fødevarer ikke kommer i kontakt med eller drypper på andre fødevarer.
- Fryserum med to stjerner er beregnet til opbevaring af på forhånd nedfrosne fødevarer, opbevaring eller fremstilling af dessertis og isterninger.
- Rum med én, to og tre stjerner er ikke egnede til nedfrysning af friske fødevarer.
- Hvis køleapparatet skal stå tomt i længere perioder, skal det slukkes, afrimes, rengøres og tørres, og døren lades åben for at undgå, der dannes skimmel i apparatet.

## Sikkerhedsinstruktioner

- Anvend ikke mekanisk værktøj eller andre kunstige midler til at fremskynde afrimningsprocessen.
- Anvend ikke elektriske redskaber inde i køleskabsrummet.
- Hvis dette køleskab skal erstatte et gammelt køleskab med åls; rdelc g eller fjern ålsen som en sikkerhedsforanstaltning fr det deponeres for at beskytte legende brn mod at ålse sig inde.
- Gamle køleskabe og fryserne indeholder isoleringsluftarter og křlemidler, som skal kasseres pı passende mıde. Overlad definitivt fjernelsen af skrotmateriale til Deres kompetente lokale affaldsdeponeringsservice og kontakt Deres lokale myndighed eller Deres forhandler hvis De har nogle spřrgsmål. Sfřg venligst for at funktionsřřrene pı Deres křleskabsenhed ikke bliver skadet fr den bliver afhentet af relevant affaldsdeponeringsservice.



Dette apparat er klassificeret iht. det europćiske direktiv 2002/96/EF om affald af elektrisk- og elektronisk udstyr (waste electrical and electronic equipment - WEEE).

Dette direktiv angiver rammerne for indlevering og recycling af kasserede apparater gđldende for hele EU.

### Vigtig bemćrkning:

Łcs venligst denne brochure fr enheden installeres og der tćndes for den. Producenten pıtager sig ikke noget ansvar for ukorrekt installation og brug som beskrevet i denne brochure.

## Anbefalinger

- Anvend ikke snydepropper eller parallelforbindinger, dette kan forřrsage overophedning eller brand.
- Brug ikke gamle slidte forlćngerledninger.



- Vrid og knćk ikke ledningerne.
- Tillad ikke brn at lege med křleskabet. Brn mı ALDRIG sidde pı skuffer eller hćnge pı dřren.
- Anvend ikke skarpe metalinstrumenter til at fjerne is pı fryserummet idet det kan punktere křleskabscirkulationen og forřrsage skade som ikke kan repareres.
- Tilslut ikke strřmforsyningen med vıde hćnder.
- Placer ikke beholdere (glas flasker eller dlser) med vćsker i fryseren, specielt kulsyreholdige vćsker, da det kan forřrsage at beholderen brister ved frysning.
- Flasker som har en hřj alkoholprocent skal lukkes ordentligt og placeres stfende i fryseren.

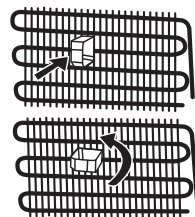


- Berřr ikke křlefladerne, specielt med vřde hřnder da De kan blive brćndt eller skadet.
- Spis ikke is som lige er blevet fjernet fra fryseren.



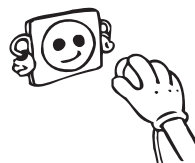
## At installere og tćnde for enheden

- Denne enhed tilsluttes til 220-240V eller 200-230V og 50 Hz. Kontroller venligst enhedens navneplade for at sikre at spćdningen passer til Deres hovedkontakts spćdning.
- De kan tilbydes hjćlp fra servicefunktionen med at installere og tćnde for enheden.
- Fřr tilslutning til strřmforsyningen foretages, sřrg for at spćdningen př navnepladen svarer til spćdningen př det elektriske system i Deres hjem.
- Sćt ledningen i et stik med en effektiv jordforbindelse. Hvis stikket ikke har jordforbindelse eller ledningen ikke passer, foresřlr vi at De kontakter en autoriseret elektriker for at fř assistance.
- Stikket skal vćre tilgćngeligt efter at enheden er sat př plads.
- Producenten er ikke ansvarlig for forsřmmelse af en fuldfřre jordforbindelse som beskrevet i denne brochure.
- Anbring ikke enheden i direkte sollys.
- Anvendes ikke udendřrs og mř ikke udsćttes for regn.
- Anbring enheden langt fra varmekilder og př et godt ventileret sted. Enheden skal vćre mindst 50 cm fra radiatorer, gas- eller kulovne og 5 cm vćk fra elektriske ovne.
- Fri afstand over skabets overside mindst 15 cm.
- Placer ikke mange og tunge ting př enheden.
- Hvis skabet installeres ved siden af et andet křleskab eller fryser, břr der vćre en mindste afstand př 2 cm for at undgř kondens.
- Anbring ikke meget(!)varm mad eller skřle ovenpř skabet.
- Tilpas plastikafstandsstykket til vćg til kondensatoren bag př enheden for at forhindre at enheden berřrer vćggen, det sikrer god prćstation.
- Enheden skal placeres stabilt og i gulvniveau. Brug udligningsfřdder for at kompensere for ujćvnheder.
- Ydersiden af enheden og tilbehřret inde i, skal gřres rent med sćbe og vandblanding og flydende sćbe; indersiden med sodiumbikarbonat, oplřst i lunkent vand. Sćt tilbehřret ind igen eller affřring.



## Fřr der tćndes

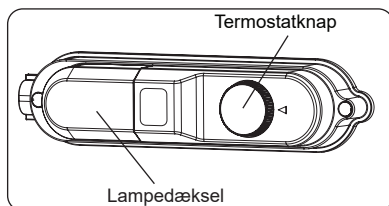
- Vent 3 timer fřr enheden tilsluttes til strřmforsyningen for at fř en rigtig prćstation.
- Der kan opstř en lugt fřrste gang De tćnder for enheden. Lugten forsvinder efter at skabet begynder at afkřle.





## DEL -2 FUNKTIONER OG MULIGHEDER

### Termostatindstilling



- Termostaten styrer automatisk temperaturen i kilerummet og frostboksen. Knappen kan drejes fra 1 mod 5, hvis temperaturen skal være lavere.
- “•” angiver, at termostaten er lukket, og at kile- og frysefunktionen er deaktiveret.
- Ved korttidsopbevaring af madvarer i frostboksen kan du indstille knappen til mellem 1 og 3.
- Ved langtidsopbevaring af madvarer i frostboksen kan du indstille knappen til mellem 3 og 4.

### Advarsler ved temperaturindstilling

- Termostaten skal indstilles under hensyntagen til, hvor ofte hhv. køle- og fryseafdelingens dør åbnes og lukkes, hvor mange fødevarer der opbevares, samt hvor skabet er placeret.
- For at skabet kan blive helt nedkølet, når det tændes første gang, skal det køre uden pause i op til 24 timer afhængig af omgivelsestemperaturen.
- I denne periode må skabet ikke åbnes for ofte og heller ikke fyldes for meget.
- Hvis skabets stik har været taget ud af stikkontakten, skal der ventes mindst 5 minutter med at sætte stikket i igen, da kompressoren ellers kan blive beskadiget.
- Skabet er beregnet til drift i de intervaller for omgivelsestemperaturer, som er angivet i standarderne og i overensstemmelse med den klimaklasse, som er angivet på skabets typeskilt. Det anbefales ikke, at skabet kører uden for de angivne temperaturgrænser udtrykt i køleeffektivitet.
- Dette apparat er designet til brug ved en omgivende temperatur i et område mellem 16 °C og 32 °C.

#### Klimaklasse og betydning:

**T (tropisk):** Dette køleskab er beregnet til brug i omgivende temperaturer på 16 °C til 43 °C.

**ST (subtropisk):** Dette køleskab er beregnet til brug i omgivende temperaturer på 16 °C til 38 °C.

**N (tempereret):** Dette køleskab er beregnet til brug i omgivende temperaturer på 16 °C til 32 °C.

**SN (udvidet tempereret):** Dette køleskab er beregnet til brug i omgivende temperaturer på 10 °C til 32 °C.

## DEL - 3 FRØDEVARER OPBEVARING I APPARETET

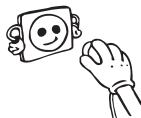
Refrigerator anvendes til opbevaring frisk frødevarer for fl dage.

- Placer ikke mad i direkte kontakt med bagvæggen af kflleafdelingen. Forlade noget plads omkring frødevarer for at tillade luftcirkulation.
- Placer ikke varm frødevarer eller inddampende vcske i refrigerator.
- Opbevar altid maden i lukkede beholdere eller indpakket.
- For at reducere fugt og undgfl dannelse af frost, aldrig placer vcsker i ulukkede beholdere i refrigerator.
- Det anbefales at kfl af alle typer, indpakket i pakker, skal placeres pl glaspladen lige ovenfor vegetabiliske bin, hvor luften er koldere.
- Du kan scfte de frugter og grflntsager i skarpere uden emballage.
- For at undgfl den kolde luft undslippe, sl prflv ikke at flbne dlren for ofte, og ikke lade dlren stfl flben i lng tid.
- Under normale driftsbetingelser er det tilstrækkeligt at indstille kfleskabets temperatur til +4 °C.
- Kfleskabets temperatur bflr vflre mellem 0-8 °C, friske madvarer, der opbevares ved under 0 °C, kan fryse og rfdne, mængden af bakterier stiger ved temperaturer over 8 °C, og det kan ødelægge madvarerne.
- Undlad at anbringe varm mad i kfleskabet med det samme. Vent, til maden har stu-  
temperatur. Varme madvarer flr temperaturen i kfleskabet til at stige, hvilket kan forflrsage madforgiftning samt, at madvarerne ødelægges.
- Kfl, fisk osv. skal opbevares i kflerummet, og grflntsagsrummet er primflrt til grflnt-  
sager (hvis det medfllger).
- Kflprodukter og frugt og grflntsager bflr ikke opbevares sammen, da det kan medflre krydskontaminering.
- Madvarer bflr opbevares i lukkede beholdere eller tildflkket i kfleskabet for at forhindre fugtdannelse og lugt.

Mad	Maksimal Opbevaringstid	Hvor skal det placeres i kfleskabet
Frugter og grflntsager	1 uge	Grflntsagsbeholder
Kfl og fisk	2 - 3 dage	Pakket ind i plastikfolie, poser eller i en kflbeholder (pl glashylden)
Frisk ost	3 - 4 dage	Pfl den sflrlige hylde i lflgen
Smflr og margarine	1 uge	Pfl den sflrlige hylde i lflgen
Produkter pfl flaske mfllk og yoghurt	Indtil udlflbsdato anbefalet af producenten	Pfl den sflrlige hylde i lflgen
Æg	1 mflned	I æggehylde
Tilberedt mad	2 dage	Alle hylde

## DEL - 4 RENGØRING OG VEDLIGEHOLDELSE

- Tag stikket ud af stikkontakten før rengøring.



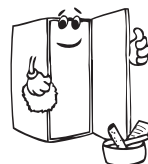
- Rengør ikke køleskabet/svaleskabet med rindende vand.



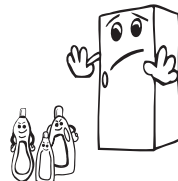
- Kølerummet skal rengøres regelmæssigt med en opløsningsbestående af lunkent vand og tvekulsurt natron.



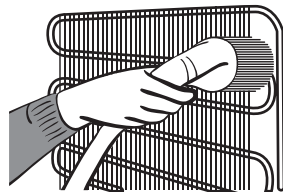
- Rengør tilbehøret separat med en opløsningsbestående af vand og opvaskemiddel. Rengør dem ikke i opvaskemaskinen.



- Brug ikke produkter, opvaskemidler eller sæbe, der indeholder slibemiddel. Skyl med rent vand, og tør af. Når du er færdig med rengøringen, skal du sætte stikket i igen med tørre hænder.

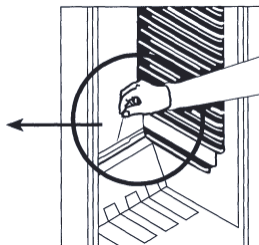
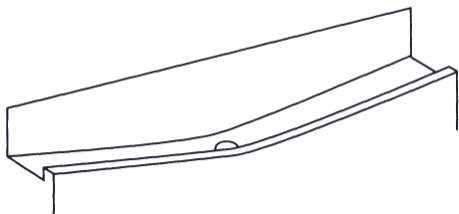


- Du skal rengøre kondensatoren med en børste en gang om året for at reducere energiforbruget og øge køleskabets/svaleskabets ydeevne.



## Afrimning

### Svaleskabe



- Afrimning sker automatisk i křlerummet, mens svaleskabet er i brug. Afrimningsvandet samles i fordampningsbakken og fordamper automatisk.
- Fordampningsbakken og aflřbshullet skal rengřres med regelmćssige mellemrum for at forhindre, at vandet samles i bunden af svaleskabet i stedet for at lřbe ud.
- Du kan ogsć hćlde et halvt glas vand ned i aflřbshullet for at rengřre det indvendigt.

## Udskiftning af pćren i křlerummet

### Fremgangsmřde

1. Tag stikket ud af stikkontakten.
2. Tryk pć krogene pć siderne af pćrens dćksel, og tag dćkslet af.
3. Udskift pćren med en anden pćre pć hřjst 15 W.
4. Sćt dćkslet pć plads igen, og vent fem minutter, inden du tilslutter křleskabet/svaleskabet.

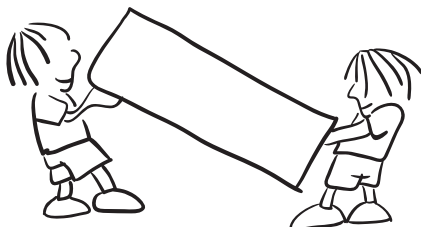
## Udskiftning af LED lys

Hvis dit kćleskab har LED lys, bedes du kontakte en serviceagent, da dette kun mć udskiftes af en autoriseret servicetekniker.

## DEL - 5 TRANSPORT OG FLYTNING

### Transport og flytning

- Den oprindelige emballage og polystyrenstykkerne kan eventuelt gemmes.
- Under transport skal křleskabet/svaleskabet holdes pđ plads med et stórkt reb eller lignende. De regler, der er angivet pđ papkassen, skal overholdes under transport.
- Fřr transport eller flytning, skal alle udtagelige dele (f.eks. hylder og grřntsagsskuffe) fjernes eller bindes fast for at forhindre, at de bliver rystet rundt.



### Sđdan řndres řlgens řbningsretning (I nogle modeller)

Hvis du vil řndre řlgens řbningsretning, skal du kontakte det lokale servicecenter.

## DEL - 6 FŘR DU KONTAKTER SERVICECENTERET

Hvis křleskabet/svaleskabet ikke fungerer korrekt, kan det skyldes et mindre problem. Kontroller derfor nedenstřende, fřr du tilkalder service.

### Řrsager til, at křleskabet/svaleskabet ikke fungerer:

- Der er ingen strřm.
- Husets hovedafbryder er slřet fra.
- Termostaten střr pđ “•”.
- Stikkontakten virker ikke. Kontroller dette ved at slutte et andet apparat, som virker, til stikkontakten.

### Řrsager til, at křleskabet/svaleskabet ikke fungerer korrekt:

- Du har overfyldt skabet.
- Řlggen er ikke helt lukket.
- Der er střv pđ kondensatoren.
- Der er ikke tilstrřkkelig afstand til siderne og bagtil.

### **Írsager til, at křleskabet/svaleskabet střjer:**

Det křlemiddel, der cirkulerer i křlemiddelkredsłřbet, kan frembringe en boblende lyd, selvom kompressoren ikke křrer. Dette er helt normalt. Írsager til andre lyde:

- Křleskabet/svaleskabet střr ikke lige.
- Křleskabet/svaleskabet střr for tót pđ vóggen.
- Ting oven pđ křleskabet/svaleskabet vibrerer.

### **Írsager til, at der er vand i bunden af křleskabet/svaleskabet:**

Aflřbshullet er tilstoppet. Rengřr det ved hjłp aflřbsproppen.

### **Skabet křler ikke tilfredsstillende:**

Skabet er beregnet til drift i de intervaller for omgivelsestemperaturer, som er angivet i standarderne og i overensstemmelse med den klimaklasse, som er angivet pđ skabets typeskilt. Det anbefales ikke, at skabet křrer uden for de angivne temperaturgrónser udtrykt i křleeffektivitet.

### **Anbefalinger**

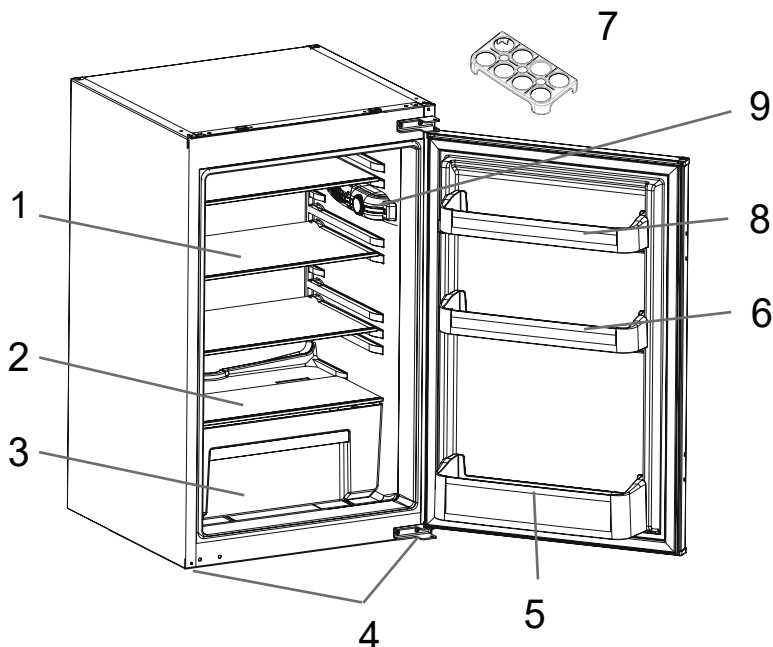
- Křledelen i křleskabe/svaleskabe er placeret inde i křlerummets bagvóg af pladsmócssige og óstetiske Írsager. Nír křleskabet/svaleskabet křrer, er bagvóggen dókket af frost eller vanddrřber, afhńngigt af om kompressoren křrer eller ej. Dette er helt normalt. Skabet skal kun afrimes, hvis der har dannet sig et tykt lag is pđ bagvóggen.
- Hvis křleskabet/svaleskabet ikke skal bruges i lńngere tid (f.eks. i sommerferien), skal termostaten sćttes pđ 0. Afrim og rengřr skabet, og lad łgen stđ łben for at forhindre dńrlig lugt og mugdannelse.

## Energisparetips

1. Installer apparatet i et koldt, velventileret rum, men ikke i direkte sollys og ikke i nærheden varmekilder (radiator, komfur .. osv.).
2. Lad varme mad- og drikkevarer køle ned uden for apparatet.
3. Drikkevarer skal være tildækket. Ellers øges fugtigheden i apparatet. Dette forlænger driftstiden. Når man tildækker drikkevarerne hjælper det også med at bevare smagen og lugten.
4. Når der indsættes mad og drikkevarer skal apparatet være åbent i så kort tid som muligt.
5. Hold øje på de forskellige temperaturbokse i apparatet lukkede (boks til friske varer, køleboks...osv.).
6. Dørpakningen skal være ren og smidig. Udskift pakningen, hvis den er slidt.

## DEL - 7 BESKRIVELSE AF KØLESKABET/SVALESKABET

Dette apparat er ikke beregnet til at blive brugt som et indbygget element.



Denne præsentation er kun beregnet til information om delene på apparatet.  
Delene kan variere afhængigt af modeltype.

- 1) GLASHYLDER TIL KØLESKAB
- 2) HYLDE OVER GRØNTSAGSSKUFFE (SIKKERHEDSGLAS\*)
- 3) GRØNTSAGSSKUFFER
- 4) JUSTERBARE STILLEBEN
- 5) FLASKEHYLDE
- 6) DØRRHYLDER
- 7) Æggehoder
- 8) LÅG OVER SMØR/OST
- 9) TERMOSTATBOKS

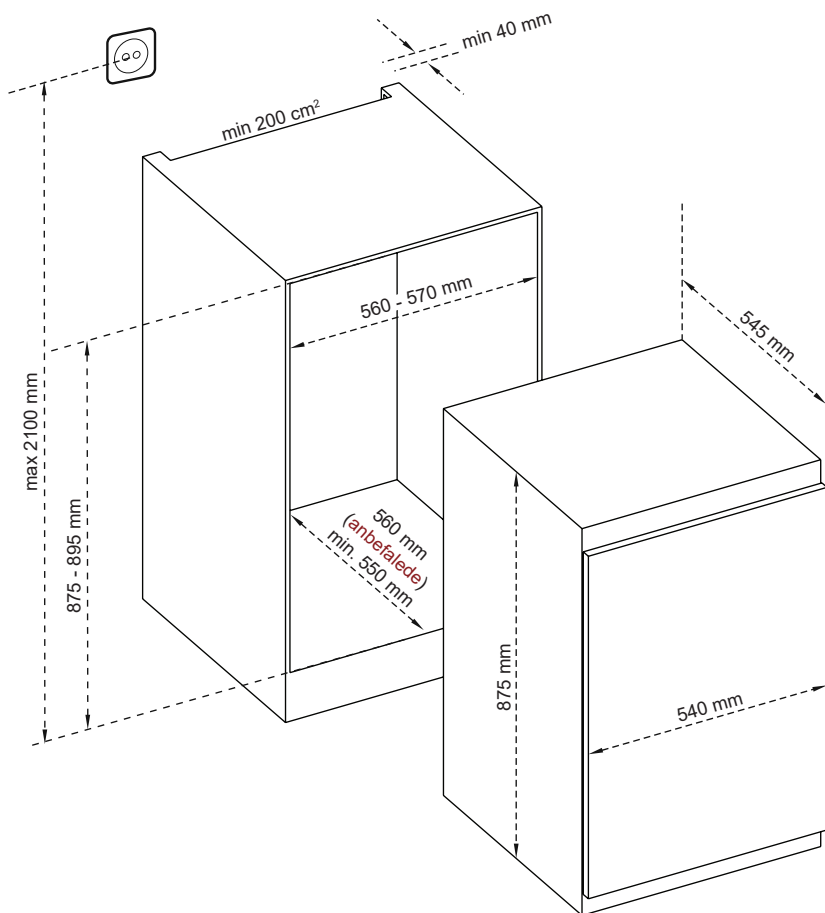
### Generelle bemærkninger

**Fryserum (fryser):** Den mest effektive energianvendelse sikres, når skufferne og beholderne er i opbevaringsplacering.



# Mål

\* 875 - 883 til topdæksel af metal



## **DEL -8**    **TEKNISKE DATA**

Disse tekniske oplysninger kan findes på ydelsesskiltet, som sidder på indersiden af apparatet, og på energimærket.

QR-koden på energimærket, der blev leveret sammen med apparatet, angiver et link til et websted med oplysninger om apparatets ydeevne i EU EPREL-databasen.

Gem energimærket til senere brug sammen med brugervejledningen og alle andre dokumenter, der blev leveret sammen med dette apparat.

Det er også muligt at finde de samme oplysninger i EPREL ved hjælp af linket <https://eprel.ec.europa.eu> samt modelnavnet og produktnummeret, som du kan finde på apparatets ydelsesskilt.

Du kan få detaljerede oplysninger om energimærket via linket [www.theenergylabel.eu](http://www.theenergylabel.eu).

## **DEL -9**    **OPLYSNINGER TIL TESTINSTITUTIONER**

Installation og klargøring af apparatet til enhver bekræftelse af miljøvenligt design skal overholde EN 62552. Krav til ventilation, mål til indhak og minimumsplads til bagsiden skal være som angivet i DEL 7 af denne Brugervejledning. Kontakt producenten for alle andre oplysninger, herunder planer til belastning.

## **DEL -10**    **KUNDEPLEJE OG -SERVICE**

**Besøg vores websted for at:**


Få råd om brug og brochurer samt oplysninger om fejlfinding, service og reparationer:


[www.vestel.com](http://www.vestel.com)


## DEL 1. INNAN KYLSKÅPET TAS I BRUK

### Allmänna varningar

 **WARNING:** Håll ventilationsöppningarna, i apparatens hölje eller i den inbyggda struktur, fria från hinder.


 **WARNING:** Använd inte mekaniska enheter eller andra sätt att påskynda avfrostningsprocessen, än de som rekommenderas av tillverkaren.


 **WARNING:** Använd inte elektrisk utrustning i kylens matförvaringsdel, om den inte är av den typ som rekommenderas av tillverkaren.

 **WARNING:** Skada inte kylkretsen.

 **WARNING:** När du positionerar apparaten ser du till att sladden inte är klämd eller skadad.

 **WARNING:** Anslut inte flera bärbara uttag eller bärbara nättaggregat på baksidan av apparaten.

 **WARNING:** För att undvika fara på grund av instabilitet i apparaten, måste den fastställas i enlighet med instruktionerna.

 Om din apparat använder R600a som köldmedium - du kan få denna information från etiketten på kylaren - bör du vara försiktig under transport och montage för att förhindra att apparatens kylningsdelar från att skadas. Även om R600a är en miljövänlig och naturlig gas, eftersom den är explosivt, bör du, i händelse av ett läckage som kan ha uppstått på grund av en skada i kylningsdelarna, flytta ditt kylskåp utom räckhåll för öppen eld eller värmekällor och ventiler rummet där apparaten är placerad några minuter.

- Under transport och positionering av kylskåpet, undvik skador på kylargaskretsen.
- Förvara inga explosiva ämnen såsom aerosolburkar med en brandfarlig drivgas i denna apparat.
- Denna apparat är avsedd för användning i hushåll och liknande applikationer såsom;

- personalköksområden i butiker, kontor och andra arbetsplatser
  - bondgårdar och av kunder på hotell, motell och andra typer av bostäder
  - bed and breakfast bostäder;
  - catering och liknande icke-butiksapplikationer,
- Om uttaget inte matchar kylskåpskontakten, måste den bytas ut av tillverkaren, dess serviceombud eller liknande kvalificerade personer för att undvika fara.
  - En speciellt jordad kontakt har anslutits till ditt kylskåps strömkabel. Denna kontakt bör användas med ett speciellt jordat uttag på 16 ampere. Om det inte finns något sådant uttag i ditt hus, se till att det installeras av en behörig elektriker.
  - 
  - Denna apparat kan användas av barn från 8 år och uppåt och personer med nedsatt fysisk eller mental förmåga eller brist på erfarenhet och kunskap, om de övervakas eller får instruktioner angående användning av apparaten på ett säkert sätt och förstår faran den innebär. Låt inte barn leka med enheten. Rengöring och användarunderhåll, får inte utföras av barn utan tillsyn.
  - Barn i åldrarna 3 till 8 år får fylla upp och ta ur kylskåp. Barn förväntas inte utföra rengöring eller användarunderhåll av apparaten, mycket små barn (0-3 år) förväntas inte använda apparater, små barn (3-8 år) förväntas inte använda apparater säkert om inte kontinuerlig tillsyn ges, äldre barn (8-14 år) och sårbara människor kan använda apparater på ett säkert sätt efter att ha fått lämplig tillsyn eller instruktioner om användning av apparaten. Mycket sårbara människor förväntas inte använda apparater på ett säkert sätt om inte kontinuerlig tillsyn ges.

- Om sladden är skadad, måste den bytas ut av tillverkaren, dess serviceombud eller liknande kvalificerade personer för att undvika fara.
- Denna apparat är inte avsedd att användas på höjder över 2000 m.

### **För att undvika kontamination av mat, följ följande instruktioner:**

- Att hålla dörren öppen under långa perioder kan orsaka en signifikant ökning av temperaturen i apparatens fack.
- Rengör regelbundet ytor som kan komma i kontakt med mat och tillgängliga avloppssystem.
- Förvara rått kött och rå fisk i lämpliga behållare i kylskåpet, så att det inte kommer i kontakt med eller droppar på annan mat.
- Tvåstjärniga fack för fryst mat är lämpliga för förvaring av förfrysad mat, förvaring eller tillagning av glass och för att göra iskuber.
- En-, två- och tre-stjärniga fack är inte lämpliga för infrysning av färsk mat.
- Om kylaggregatet lämnas tomt under långa perioder, stäng av det, frosta av, rengör, torka och låt dörren stå öppen för att förhindra mögelutveckling i apparaten.

## Kylskåp och frysar som är gamla eller i olag

- Om ditt gamla kylskåp har ett lås, bryt eller ta bort låset innan du slänger det, eftersom barn kan bli instängda och det kan orsaka en olycka.
- Gamla kylar och frysar innehåller isoleringsmaterial och köldmedium med CFC. Se därför till att inte skada miljön när du kasserar ditt gamla kylskåp.

Fråga din kommun om omhändertagande av WEEE för återanvändning och återvinningsändamål.

### Observera:

- Läs igenom bruksanvisningen noga innan du installerar och använder apparaten. Vi är inte ansvariga för de skador som uppstått på grund av felaktig användning.
- Följ alla instruktioner på apparaten och bruksanvisningen och förvara bruksanvisningen på en säker plats för att lösa de problem som kan uppstå i framtiden.
  - Denna apparat är gjord för att kunna användas i hus och den kan bara användas i hus och för avsedda ändamål. Den är inte lämplig för kommersiellt eller gemensamt bruk. Sådan användning medför att garantin på apparaten ska annulleras och att vårt företag inte är ansvarigt för de förluster som har inträffat.
- Denna apparat är gjord för att kunna användas i hus och den kan bara användas i hus och för avsedda ändamål. Den är inte lämplig för kommersiellt eller gemensamt bruk och/eller för förvaring av ämnen förutom mat. Vårt företag är inte ansvarigt för de förluster som uppstått i motsatta fall.



## Säkerhetsvarningar

- Använd inte fler-uttag eller förlängningsladd.
- Anslut inte skadade, trasiga eller gamla pluggar.
- Dra inte i, böj inte och skada inte sladden.
- Använd inte en adapter.



- Denna apparat är avsedd att användas av vuxna, låt inte barn leka med apparaten eller hänga över dörren.
- Sätt inte in och dra inte ut kontakten ur uttaget med våta händer för att undvika elektrisk stöt!
- Placera inte explosivt eller brandfarligt material i ditt kylskåp för din säkerhet. Placera drycker med högre alkoholhalt vertikalt och stäng dem tätt i kylavdelningen.
- Täck inte kylskåpet eller dess övre del med spets. Detta påverkar ditt kylskåps prestanda.
- Fäst tillbehören i kylskåpet under transport för att undvika skador på tillbehören.



## Inställning och användning av ditt kylskåp

*Innan du börjar använda ditt kylskåp, bör du uppmärksamma följande punkter:*

- Driftspänningen för ditt kylskåp är av 220-240 V vid 50 Hz
- Vi tar inte ansvar för de skador som uppstår på grund av ojordad användning.
- Placera kylskåpet på en plats där det inte utsätts för direkt solljus.
- Apparaten bör vara minst 50 cm från spisar, gasugnar och värmekällor, och bör vara minst 5 cm från elektriska ugnar.
- Din frys bör aldrig användas utomhus eller lämnas under regn.
- När kylskåpet är placerat intill en frys bör det finnas minst 2 cm mellan dem för att förhindra att fukt bildas på utsidan.
- Placera ingenting på ditt kylskåp, och installera kylskåpet på en lämplig plats, så att minst 15 cm tom plats finns på ovansidan.
- Om du vill placera ditt kylskåp bredvid ditt kökskåp, lämna ett utrymme på 2 cm mellan dem.
- Passa in plastväggdistanser till kondensorn på baksidan av kylskåpet för att förhindra att den lutar mot väggen för bättre prestanda.
- De justerbara frambenen ska stabiliseras på en lämplig höjd så att kylskåpet står på ett stabilt och korrekt sätt. Du kan justera benen genom att vrida dem medurs (eller i motsatt riktning). Detta bör göras innan du placerar mat i kylskåpet.
- Innan du använder ditt kylskåp, torka av alla delar med varmt vatten som tillsätts med ett mildt rengöringsmedel, och skölj sedan med rent vatten och torka. Placera alla delar efter rengöring.



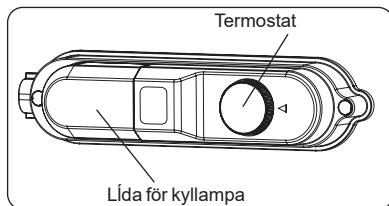
## Innan du använder ditt kylskåp

- När det används för första gången eller efter transport, ställ ditt kylskåp i upprätt läge i 3 timmar och koppla in det för att möjliggöra effektiv drift. Annars kan du skada kompressorn.
- Ditt kylskåp kan lukta när det används för första gången; lukten kommer att blekna bort när kylskåpet börjar kyla.



## DEL 2. OLIKA FUNKTIONER OCH MÖJLIGHETER

### Termostat



- Termostaten reglerar automatiskt förvaringstemperaturen i kylskåpet. Genom att vrida vredet från position 1–5 erhålls gradvis lägre temperatur.
- « • » Avstängt läge – ingen kyleffekt på.
- För kortvarig matförvaring kylutrymmet kan vredet ställas mellan min.- och medelposition. (1–3)
- För långvarig matförvaring – sätt vredet i medelpositionen. (3–4)

### Varningar för temperaturinställningar

- Den omgivande temperaturen, temperaturen hos nyss inlagt livsmedel och hur ofta dörren öppnas, påverkar temperaturen i kylutrymmet. Vid behov, ändra temperaturinställningen.
- Temperaturen bör ställas in genom att beakta hur ofta kyldörren öppnas och stängs, hur mycket mat som lagras i kylan och miljön och placeringen av enheten.
- Vi rekommenderar att du vid första användningen av din kyl bör låta den vara igång under 24 timmar utan avbrott för att säkerställa att den är helt kyld. Öppna inte kyldörrarna eller lägg in mat under denna period.
- Din kyl har en 5 minuters inbyggd fördröjningsfunktion, som syftar till att förhindra skador på kompressorn. När strömmen slås på till din kyl, kommer den att börja fungera normalt efter 5 minuter.
- Kylan är utformad för att fungera i omgivningstemperaturintervall som anges i standarderna, enligt den klimatklass som anges på informationsetiketten. Det rekommenderas inte att ditt kylskåp används i miljöer som ligger utanför de angivna temperaturintervallen när det gäller kylningseffektivitet.
- Enheten är utformad för användning i en omgivande temperatur inom intervallet 16°C till 32°C.

### Klimatklass och betydelse:

**T (tropiskt):** Denna kylskåpsenhet är avsedd att användas vid omgivningstemperaturer från 16 °C till 43 °C.

**ST (subtropiskt):** Denna kylskåpsenhet är avsedd att användas vid omgivningstemperaturer från 16 °C till 38 °C.

**N (tempererat):** Denna kylskåpsenhet är avsedd att användas vid omgivningstemperaturer från 16 °C till 32 °C.

**SN (utökad tempererat):** Denna kylskåpsenhet är avsedd att användas vid omgivningstemperaturer från 10 °C till 32 °C.



## DEL 3. MATFÖRVARINGSGUIDE

### Kylskåp

- För att minska fukt och kondens får aldrig mat/dryck stå utan lock. Fukt fryser till is på kylelementet vilket resulterar i ökad elförbrukning och tätare avfrostningsintervaller.
- Placera aldrig varm mat i kylskåpet. Låt maten kallna till rumstemperatur innan den ställs in i kylskåpet.
- Placera aldrig mat direkt intill väggarna.
- Öppna inte dörren i onödan.
- Färsk fisk eller kött placeras väl inslaget i plast på nedre hyllan där skåpet är som kallast.
- Frukt och grönsaker kan placeras i grönsakslådan utan plast.
- För normala arbetsförhållanden räcker det att justera temperaturen i kylskåpet till +4° C.
- Kylfackets temperatur bör ligga i intervallet 0-8° C, färska livsmedel under 0° C fryser och ruttnar, bakteriebelastningen ökar över 8° C och livsmedel förstörs.
- Lägg inte varm mat i kylan omedelbart, låt den svalna utanför. Varma livsmedel ökar temperaturen i ditt kylskåp och orsakar matförgiftning och onödigt förstörande av maten.
- Kött, fisk etc. bör förvaras i kylfacket och grönsaksfacket föredras för grönsaker (i förekommande fall).
- För att förhindra korskontaminering ska inte köttprodukter lagras tillsammans med frukt och grönsaker.
- Livsmedel bör placeras i kylan i slutna behållare eller täckas för att förhindra fukt och lukt.

Livsmedel	Largingstid	Var den ska placeras i kyldelen
<b>Grönsaker och frukt:</b>	1 vecka	Grönsakslådan (utan att vara förpackad)
<b>Kött och fisk</b>	2 - 3 dagar	Inlindade i plastfolie, i plastpåsar eller köttförpackning (på glashyllan)
<b>Färskost</b>	3 - 4 dagar	I specialhyllan i dörren
<b>Smör och margarin</b>	1 vecka	I specialhyllan i dörren
<b>Produkter i flaska Mjök och yoghurt</b>	Tills utgångsdatumet rekommenderat av producenten	I specialhyllan i dörren
<b>Ägg</b>	1 månad	I ägghyllan
<b>Lagad mat</b>	2 dagar	Alla hyllor

## DEL 4. RENGÖRNING OCH SKÖTSEL

- Koppla ur enheten från strömkällan före rengöring.



- Placera inte enheten i rinnande vatten.



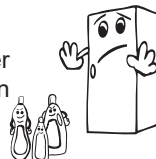
- Kylskåpet bör rengöras med jämna mellanrum med ett mildt rengöringsmedel.



- Rengör tillbehören separat med ett mildt rengöringsmedel. Rengör dem inte i diskmaskinen.

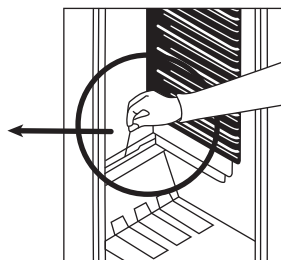
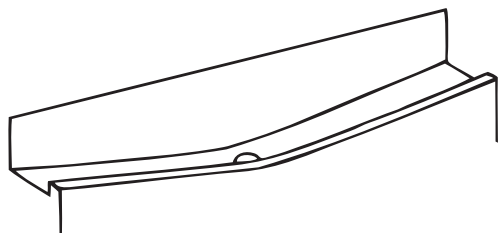


- Använd inte produkter med slipmedel, frätande medel eller tvålar. Efter rengöringen sköljer du noggrant med rent vatten. När du utför rengöringen återansluter du kontakten med torra händer.



### STRÖMKÄLLAN MÅSTE KOPPLAS UR.

### Avfrostning



- Avfrostning sker automatiskt. Vattnet leds till behållare ovanför kompressor där det avdunstar.
- Vattenrännan och avloppsrör för avfrostningsvattnet måste hållas rena och öppna. Avfrostningen fungerar ej annars.

## Byte av glödlampa

### Byte av glödlampa i kylskåpet;

1. Drag ut nätsladden.
2. Tryck samman hakarna och ta bort skyddskåpan.
3. Byt lampa till samma sort (max 15W).
4. Sätt tillbaka lampkåpan och anslut kylskåpet efter 5 min.

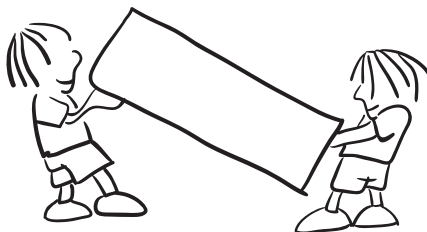
### Sustituir las luces LED

Si el frigorífico tiene luces LED, contacte con el servicio técnico, ya que deben ser sustituidas únicamente por el personal autorizado.

## DEL 5. TRANSPORT OCH FLYTT AV SKÅP

### Transport och flytt av skåp

- Bästa förpackning är det emballage som skåpet kom i. Försök att återanvända.
- Under transport ska skåpet surras med surrningsband eller rep.
- Innan flytt sker ska lösa delar inne i skåpet tejpas fast så dessa ej skakar loss eller skadas.



## DEL 6. INNAN DU RINGER EFTER SERVICE

Om kylskåpet inte fungerar tillfredsställande kan detta bero på ett mindre fel. Kontrollera följande punkter innan du ringer service.

### Kylskåpet fungerar ej.

#### Kontrollera att;

- Finns ström i uttaget ?
- Har proppen gått ?
- Är termostaten i läge « • » ?
- Är vägguttaget trasigt ? Prova med annan elektrisk apparat.

### Kylskåpet fungerar ej tillfredsställande.

#### Kontrollera att ;

- Har du för mycket « varma » varor i kylskåpet ?
- Är dörren riktigt stängd ?
- Är gallret på baksidan dammigt ?
- Är ventilationen tillräcklig runt skåpet ?

## **Oljud;**

Kylmedlet cirkulerar i kylskåpet och skapar ett visst ljud, även bubblande ljud då kompressor stannat. Detta är normalt. Om ljudet skulle förändras kontrollera ;

- Kylskåpet står stadigt.
- Att kylskåpet står fritt och inte lutar mot något (vägg).
- Tillbehör, varor inne i skåpet vibrerar. Flytta om.

## **Vatten på botten;**

### **Kontrollera att ;**

Dräneringshålet i avfrostningsrännan kan vara blockerat. Rengör.

### **VIKTIGT:**

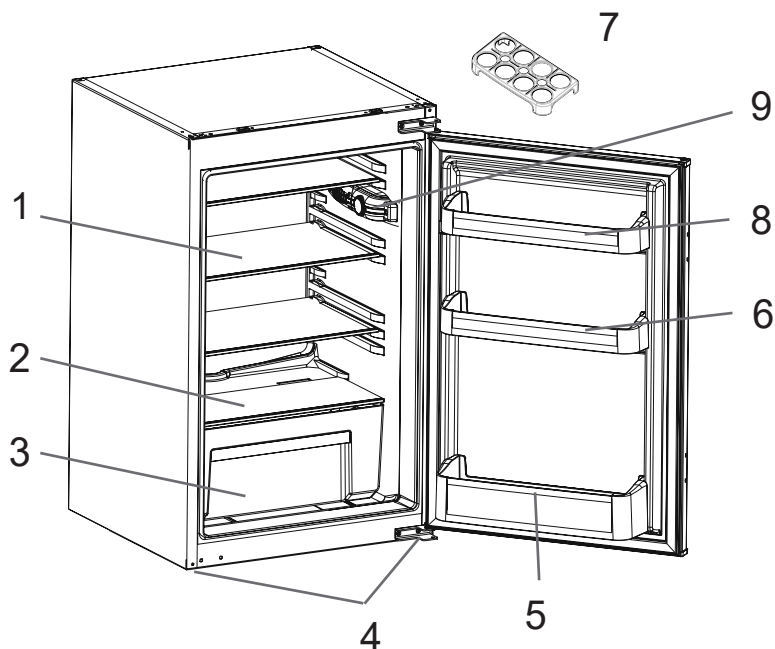
- Kompressorns skyddsfunktion kommer aktiveras efter plötsliga strömavbrott eller när kontakten dras ur eftersom gasen i nedkylningssystemet inte har stabiliserats än. Du behöver inte oroa dig, din apparat startar igen efter 5 minuter.
- Om du inte kommer använda din kyl under en längre period (t.ex. under semestern) ska kontakten dras ur. Rengör din kyl i enlighet med kapitlet "RENGÖRING OCH UNDERHÅLL" och lämna dörren öppen för att undvika fukt och dålig lukt.
- Om problemet kvarstår efter att du har följt alla instruktioner ovan ska du kontakta närmaste auktoriserade reparatör.
- Din apparats livslängd, såsom den angivits fastställts av industridepartementet, är 10 år (perioden för att behålla delar som krävs för att enheten ska fungera korrekt).

## **Rekommendationer för att spara energi**

1. Placera din enhet i ett svalt och välventilerat rum och undvik att placera den i direkt solljus eller nära värmeelement (element, ugn, m.m.). Använd annars isoleringsplattan.
2. Låt varm mat och dryck svalna utanför enheten.
3. När du ställer drycker eller hemlagad mat i kylen, se till att de är i en försluten behållare. Annars kommer fukten i enheten att öka. Detta gör att kylen kommer att köras längre. Förvaring av drycker och hemlagad mat i slutna förpackningar kommer också förhindra att smak och lukt försämras.
4. När du placerar mat och dryck i kylen, se till att dörren är öppen så kort tid som möjligt.
5. Håll delar med olika temperaturvärden i enheten stängda. (grönsakslåda, kylningsdel, m.m.)
6. Dörrens packning måste vara ren och böjlig. Byt ut gamla packningar.

## DEL 7. KYLSKÅPETS OLIKA DELAR

Denna apparat är inte avsedd att användas som en inbyggd apparat.



Den här presentationen är endast till i informationssyfte för enhetens delar.  
Delarna kan variera beroende på modell.

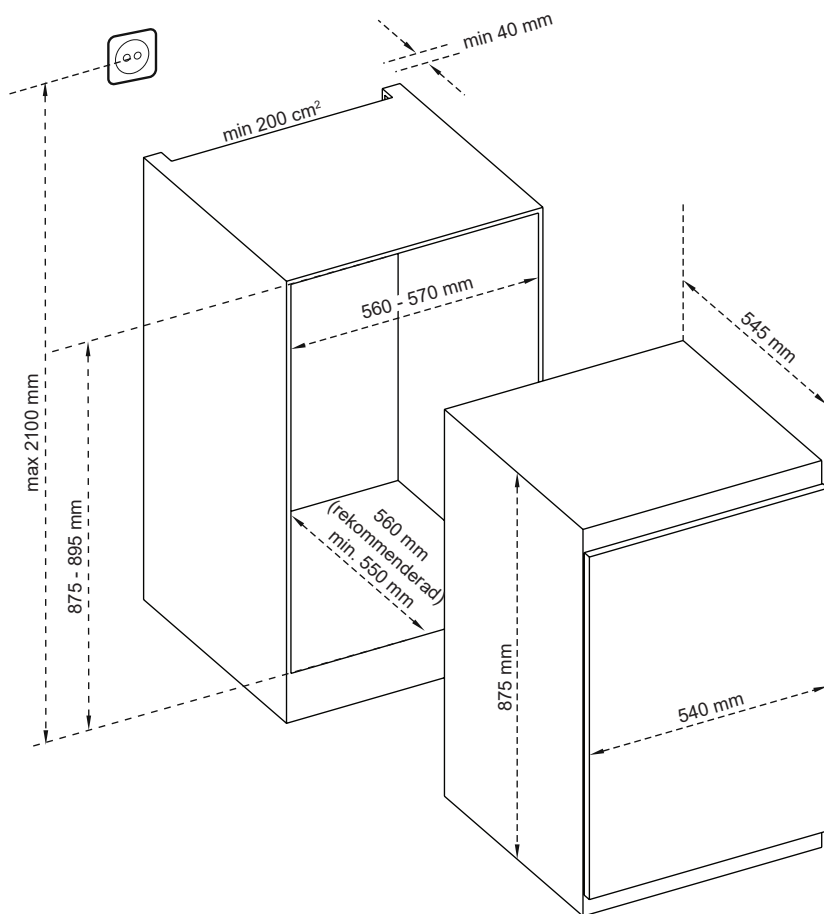
- 1-) Kylskåpshylla
- 2-) Glashylla (säkerhetsglas)
- 3-) Grönsakslåda
- 4-) Justerbara foter
- 5-) Flaskhylla
- 6-) Dörrhyllor
- 7-) Ägghållare
- 8) Dörr övre hyllor
- 9-) Termostat

### Allmänna anmärkningar

**Frysack (frys):** Mest effektiv energianvändning säkerställs i konfigurationen med lådorna och facken i lagerposition.

## Dimensioner

\* 875 - 883 för topplock av metall



## **DEL 8. TEKNISKA DATA**

Den tekniska informationen finns på typskylten på apparatens innersida och på energimärkningen.

QR-koden på energimärkningen som levereras med apparaten ger en webblänk till informationen relaterad till apparatens prestanda i EU EPREL-databasen.

Behåll energimärkningen som referens tillsammans med bruksanvisningen och alla andra dokument som medföljer denna apparat.

Det är också möjligt att hitta samma information hos EPREL via länken <https://eprel.ec.europa.eu> och modellnamnet och produktnumret som du hittar på apparatens typskylt.

Se länken [www.theenergylabel.eu](http://www.theenergylabel.eu) för detaljerad information om energimärkningen.

## **DEL 9. INFORMATION FÖR TESTINSTITUT**

Installation och förberedelse av apparaten för eventuell EcoDesign-verifiering ska överensstämma med EN 62552. Ventilationskrav, fördjupningsdimensioner och minsta bakre spel ska vara som anges i denna bruksanvisning vid DEL 1. Kontakta tillverkaren för ytterligare information, inklusive lastplaner.

## **DEL 10. KUNDEVÅRD OCH SERVICE**

**Besök vår webbplats på:**

Få användningsråd, broschyrer, felsökning, service och reparationsinformation:  
[www.vestel.com](http://www.vestel.com)



400011209802/A

